



A MEMBER OF TEAM OF EXCELLENCE

G.A.L. MANUFACTURING CORP.

Serving Since 1927

Catalog

Version 2.0



G.A.L.

Operator 1

Car/Hatch Hangers 141

Door Protection 246

Clutches 252

Car Zone Locks 290

Retiring Cams 294

Door Closers 302

Interlocks 328

Locks, Contacts & Switches 395

Signal Fixtures 420

Controllers 501



GAL Canada

559



Hollister-Whitney

625

Index 662

DISCLAIMERS, TERMS & CONDITIONS OF USE

(Please read the following terms and conditions of use carefully, before using this catalog)

By using this catalog, you acknowledge that you read and agree to the following terms and conditions.

Copyrights / Trademarks

The entire content of this catalog, including but not limited to Logos, Trademarks, Drawings, Images, Text, Materials and other components herein are copyrighted materials owned by G.A.L. Manufacturing Corporation, Hollister-Whitney Elevator Corporation, G.A.L. Canada Elevator Product Corporation, and/or other third parties, and are protected by United States, Canada, Worldwide copyright, trademark laws and treaty provisions.

Therefore, you may not reproduce, publish, modify, transmit, upload or distribute the contents of this catalog in any way without **G.A.L. Manufacturing Corporation's** or **Hollister-Whitney Elevator Corporation's** or **G.A.L. Canada Elevator Products Corporation's** prior written permission. This catalog may be used for informational purposes and ordering of products. Permission is granted to electronically copy and print hard copy portions of this catalog for the sole purpose of placing an order with the G.A.L. Manufacturing Corporation, Hollister-Whitney Elevator Corporation and/or G.A.L. Canada Elevator Products Corporation.

Errors & Modifications

- We cannot be responsible for typographical and other errors that may appear.
- We try to make sure that all prices expressed in this catalog are accurate. If the printed price for a product(s) is incorrect due to mistake, typographical or other errors, we are only responsible for the correct price.
- For more information about pricing, call the appropriate Sales Department to provide you the most accurate, up-to-the-minute information. However, it is ultimately your responsibility, as a customer, to verify that all details listed are accurate.
- G.A.L. Manufacturing, Hollister-Whitney, and G.A.L. Canada reserve the right to refuse or cancel any orders placed for products listed at the incorrect price.
- At any time, the content published in this catalog could be outdated or contain technical inaccuracies.

FOB Point & Pricing

- All products are FOB shipping point. Advertised prices and availability are subject to change without prior notice. All prices are **LIST PRICES**, subject to standard discount to qualified customers. *(Call appropriate Sales Department to get Net Prices.)*
- All G.A.L. list prices are in US Dollars. All GAL Canada list prices are in Canadian Dollars.

Additional Information

- Inclusion in this publication does not imply or guarantee availability of any specific product.
- Further, this publication is not representative of all products. Some parts may be available and not shown. Please contact a sales representative if you need a product that is not shown.
- This catalog is representative of parts only.
- Configurations and alternate packages are available. Contact the appropriate sales department for more information.

G.A.L. Manufacturing Corporation, Hollister-Whitney Elevator Corporation and/or G.A.L. Canada Elevator Products reserve the right to change these terms and conditions at any time and for any reason, without prior notice.

All rights are hereby expressly reserved.

GAL

Door Equipment



GAL EQUIPMENT

TABLE OF CONTENTS

Operators

OPERATOR ISOMETRIC DRAWING

MOVFR II OPERATOR

S/S 22" - 48" D.O. & 2/SP 30" - 72" D.O.	1
C/P 30" - 83" D.O. & 2S/CP 32" - 83" D.O.	2

MOVFRW II OPERATOR

S/S 22" - 48" D.O. & 2/SP 30" - 72" D.O.	3
C/P 30" - 59" D.O. & 2S/CP 30" - 83" D.O.	4

MODL OPERATOR

S/S 22" - 48" D.O. & 2/SP 30" - 59" D.O.	5
C/P 30" - 59" D.O. & 2S/CP 30" - 59" D.O.	6

MODCTL OPERATOR

S/S 22" - 48" D.O. & 2/SP 30" - 72" D.O.	7
C/P 30" - 59" D.O. & 2S/CP 30" - 59" D.O.	8

MOHL & MOML OPERATOR

S/S 22" - 48" D.O. & 2/SP 30" - 59" D.O.	9
2/SP 60" - 72" D.O.	10
C/P 30" - 59" D.O. & 2S/CP 30" - 83" D.O.	11

MOHCTL OPERATOR

S/S 22" - 48" D.O. & 2/SP 30" - 72" D.O.	12
C/P 30" - 59" D.O. & 2S/CP 30" - 59" D.O.	13

MODLNYC OPERATOR

S/S 30" - 42" D.O. & 2/SP 30" - 42" D.O.	14
--	----

MODPLNYC OPERATOR

S/S 30" - 42" D.O. & 2/SP 30" - 42" D.O.	15
--	----

MODG OPERATOR

S/S 26" - 30" D.O. & 2/SP 26" - 30" D.O.	16
--	----

MOXL OPERATOR

S/S 22" - 48" D.O. & 2/SP 30" - 72" D.O.	17
C/P 30" - 59" D.O. & 2S/CP 32" - 72" D.O.	18

OPERATOR ASSEMBLIES

MOVFR II - WIRING DIAGRAM	19
-------------------------------------	----

MOVFR II - CONVENTIONAL

SINGLE & TWO SPEED	20
SINGLE & TWO SPEED - 220 V.A.C. - STANDARD	20
SINGLE & TWO SPEED - 220 V.A.C. - HIGH CAB	20
TWO SPEED LARGE OPENING - 220 V.A.C.	21
CENTER PARTING	22
CENTER PARTING - 220 V.A.C. - STANDARD	22
CENTER PARTING - 220 V.A.C. - HIGH CAB	22
TWO SPEED CENTER PARTING	23
TWO SPEED CENTER PARTING - 220 V.A.C. - STANDARD	23

MODL - WIRING DIAGRAM	24
---------------------------------	----

MODL - CONVENTIONAL

SINGLE & TWO SPEED	25
SINGLE & TWO SPEED - 220 V.D.C. - STANDARD	25
SINGLE & TWO SPEED - 220 V.D.C. - HIGH CAB	25
SINGLE & TWO SPEED - 115 V.D.C. - STANDARD	26
SINGLE & TWO SPEED - 115 V.D.C. - HIGH CAB	26
CENTER PARTING	28

CENTER PARTING - 220 V.D.C. - STANDARD	28
--	----

CENTER PARTING - 220 V.D.C. - HIGH CAB	28
--	----

CENTER PARTING - 115 V.D.C. - STANDARD	29
--	----

CENTER PARTING - 115 V.D.C. - HIGH CAB	29
--	----

TWO SPEED CENTER PARTING	30
------------------------------------	----

TWO SPEED CENTER PARTING - 220 V.D.C. - STANDARD	30
--	----

TWO SPEED CENTER PARTING - 115 V.D.C. - STANDARD	30
--	----

MODCTL - WIRING DIAGRAM	31
-----------------------------------	----

MODCTL - CONVENTIONAL

SINGLE & TWO SPEED	32
------------------------------	----

SINGLE & TWO SPEED - 220 V.D.C. - STANDARD	32
--	----

SINGLE & TWO SPEED - 220 V.D.C. - HIGH CAB	33
--	----

CENTER PARTING	36
--------------------------	----

CENTER PARTING - 220 V.D.C. - STANDARD	36
--	----

CENTER PARTING - 220 V.D.C. - HIGH CAB	37
--	----

TWO SPEED CENTER PARTING	40
------------------------------------	----

TWO SPEED CENTER PARTING - 220 V.D.C. - STANDARD	40
--	----

MODCTAL - WIRING DIAGRAM	41
------------------------------------	----

MODCTAL - CONVENTIONAL

SINGLE & TWO SPEED - 220 V.D.C. - STANDARD	42
--	----

MOD - WIRING DIAGRAM	43
--------------------------------	----

MOD-LDC SHOE DRIVE	44
------------------------------	----

MODCT & MODCTA - WIRING DIAGRAM	45
---	----

MOVFR-LDC II SHOE DRIVE	46
-----------------------------------	----

MODCT LDC SHOE DRIVE	46
--------------------------------	----

MODCTA LDC SHOE DRIVE	46
---------------------------------	----

MOHL - WIRING DIAGRAM	47
---------------------------------	----

MOHL - CONVENTIONAL

SINGLE & TWO SPEED	48
------------------------------	----

SINGLE & TWO SPEED - 220 V.D.C. - STANDARD	48
--	----

SINGLE & TWO SPEED - 220 V.D.C. - HIGH CAB	49
--	----

MOHL - CONVENTIONAL ("MOML" REPLACEMENT)

CENTER PARTING	50
--------------------------	----

CENTER PARTING - 220 V.D.C. - STANDARD	50
--	----

CENTER PARTING - 220 V.D.C. - HIGH CAB	50
--	----

TWO AND THREE SPEED CENTER PARTING	51
--	----

TWO SPEED CENTER PARTING - 220 V.D.C. - STANDARD	51
--	----

THREE SPEED CENTER PARTING - 220 V.D.C. - STANDARD	51
--	----

MOHCTL - WIRING DIAGRAM	52
-----------------------------------	----

MOHCTL - CONVENTIONAL

SINGLE & TWO SPEED	53
------------------------------	----

SINGLE & TWO SPEED - 220 V.D.C. - STANDARD	53
--	----

SINGLE & TWO SPEED - 220 V.D.C. - HIGH CAB	54
--	----

CENTER PARTING	56
--------------------------	----

CENTER PARTING - 220 V.D.C. - STANDARD	56
--	----

CENTER PARTING - 220 V.D.C. - HIGH CAB	56
--	----

TWO SPEED CENTER PARTING	58
------------------------------------	----

TWO SPEED CENTER PARTING - 220 V.D.C. - STANDARD	58
--	----

TABLE OF CONTENTS

Operators

MODHFL - WIRING DIAGRAM	60	ALUMINUM DRIVE ARM	
MODHFL - VANDAL RESISTANT		SINGLE & TWO SPEED D.O.	86
SINGLE & TWO SPEED	62	THREE SPEED: 30"-69" D.O.	87
SINGLE SPEED - 220 V.D.C. - STANDARD	62	CENTER PARTING D.O.	88
TWO SPEED - 220 V.D.C. - STANDARD	62	TWO SPEED CENTER PARTING D.O.	89
CENTER PARTING	63	UNIVERSAL DRIVE ARM	90
CENTER PARTING - 220 V.D.C. - STANDARD	63	CLUTCH TRANSFER LINKAGE ARM	90
MODLNYC - WIRING DIAGRAM	64	DRIVE ARM CONNECTING LINKS	
MODLNYC - VANDAL RESISTANT		TYPE "L" OPERATOR CONNECTING LINK	90
SINGLE & TWO SPEED	65	TAPPED CONNECTING LINK (UPPER)	90
SINGLE & TWO SPEED - 220 V.D.C. - STANDARD	65	SLOTTED CONNECTING LINK (LOWER)	90
SINGLE & TWO SPEED - 220 V.D.C. - HIGH CAB	65	DRIVE ARM LINK & BRACKETS	
MODG - GATE OPERATOR	66	LINK & BRACKET ASSEMBLIES	91
MOVFRW II - WATER RESISTANT		DOOR LINK REPLACEMENT	91
SINGLE & TWO SPEED	66	SLOW DOOR LINK & BRACKETS	
SINGLE & TWO SPEED - 220 V.A.C. - STANDARD	66	TWO SPEED: 24"-29" D.O.	92
THREE SPEED - 220 V.A.C. - STANDARD	66	TWO SPEED: 49"-72" LARGE D.O.	92
CENTER PARTING - 220 V.A.C. - STANDARD	66	TWO SPEED CENTER PARTING: 32"-73" D.O.	93
MOXL - WIRING DIAGRAM	67	LINK & BRACKET ASSEMBLIES	93
MOXL - DUST/EXPLOSION RESISTANT		INTERMEDIATE DOOR LINK & BRACKETS	
SINGLE, TWO SPEED, & CENTER PARTING	68	THREE SPEED: 30"-69" D.O.	94
SINGLE & TWO SPEED - 220 V.D.C. - STANDARD	68	REVERSING DEVICE ASSEMBLIES	
SINGLE & TWO SPEED - 115 V.D.C. - STANDARD	68	CONVENTIONAL	95
CENTER PARTING - 220 V.D.C. - STANDARD	68	EXPLOSION RESISTANT	95
CENTER PARTING - 115 V.D.C. - STANDARD	68	WATER RESISTANT	95
OPERATOR ACCESSORIES		REVERSING DEVICE PARTS	
AUXILIARY CONTROL PANELS		SWITCH - "LRD-1" ASSEMBLIES AND PARTS	96
MOD SERIES	69	CONNECTOR	96
MOM & MOH SERIES	69	PLATE	96
MOPM CONVERTOR PANELS	69	BRACKET	97
MOD TO MODCT CONTROL BOARD CONVERSION KIT.	70	SPRING & STUD ASSEMBLY	97
MOCT TO MODCT CONTROL BOARD CONVERSION KIT	70	CONDUIT	97
OPERATOR PARTS		DRIVE ARM SUPPORT ASSEMBLY	97
DRIVE ARM ASSEMBLIES		DRIVE ARM SUPPORT PARTS	
SINGLE & TWO SPEED DOOR OPENING	73	ANGLE	98
TWO SPEED SMALL DOOR OPENING	74	BRACKET	99
TWO SPEED LARGE DOOR OPENING	75	PLATE	100
THREE SPEED DOOR OPENING	75	DRIVE ARM HARDWARE	100
CENTER PARTING DOOR OPENING	77	MOTOR & MOTOR PARTS	
TWO SPEED CENTER PARTING DOOR OPENING	79	MOTOR SPECIFICATIONS	102
DRIVE ARM SUB-ASSEMBLIES		BRUSHES (SHUNT WOUND MOTOR)	104
CENTER PARTING DOORS	81	MOTOR BASE ASSEMBLY	104
TWO SPEED CENTER PARTING DOORS	83	LIMIT CONTROL ASSEMBLIES	
CRANK ARM ASSEMBLIES	84	MOD SERIES, "L" & SHOE TYPE	105
CRANK ARM ASSEMBLIES - CENTER PARTING	84	MOCT SERIES & MODCT "L" & SHOE TYPE	105
DRIVE SHOE AND CRANK ARM ASSEMBLIES	85	MOMCT & MOHCT SERIES "L" & SHOE TYPE	105
DRIVE SHOE PARTS	85	MODLNYC (NYCHA)	106
		MOVFRW II LIMIT CONTROL BOX (WATER RESISTANT)	106

TABLE OF CONTENTS

Operators

MOXL (EXPLOSION RESISTANT)	106	RESISTORS	122
MOW LIMIT CONTROL BOX (WATER RESISTANT)	106	RESISTOR BANDS	123
LIMIT CONTROL PARTS		RESISTOR RODS	124
MOW/MOX MOTOR COUPLING KITS	107	INSULATOR KITS	124
LIMIT CONTROL BOX ACCESSORIES	107	INSULATORS	125
LIMIT CONTROL COVERS	107	PULLEY ASSEMBLIES & PULLEYS	
LIMIT SWITCH ASSEMBLIES	108	DRIVE PULLEY ASSEMBLIES	125
BRIDGING CAM ASSEMBLIES	109	DRIVE PULLEY ASSEMBLIES (WATER/EXPLOSION RESISTANT)	127
CAM SETS	109	INTERMEDIATE PULLEY ASSEMBLIES	127
CAMS	110	INTERMEDIATE PULLEY ASSEMBLIES (WATER RESISTANT)	127
BRIDGING CONTACTS AND CONTACT SCREW	112	MOTOR PULLEY	128
CONTACT BASES	112	MOTOR PULLEY (WATER RESISTANT)	128
BOARDS & DRIVES		REDUCTION PULLEY	129
MOVFR-I OPERATOR FREQUENCY DRIVE REPLACEMENT KIT	112	REDUCTION PULLEY (WATER RESISTANT)	130
MOVFR, MOVFR II, MOVFRW II MAIN PC. BOARDS	113	BEARING BLOCKS & PARTS	
MOCT (10201 OLD PC BOARDS)	113	DRIVE, INTERMEDIATE, AND REDUCTION PULLEYS	130
MOR BOARD	113	OPERATOR RETIRING CAM CLAMP KITS	131
MODCT BOARDS WITHOUT RELAYS AND FUSES	114	ADJUSTABLE ANGLES	131
MOSVCL, MOMSVL LIMIT CONTROL BOARD	114	BELT TENSIONER ASSEMBLIES & PARTS	
MOVFR II DRIVES	114	TENSIONER ASSEMBLIES	131
RECTIFIER KITS	114	ANGLES, PLATES, AND ROLLER	132
FUSES	114	SPROCKET & SHAFTS	
RELAYS	115	SPROCKET & SHAFT KITS	132
SWITCHES		SHAFT ASSEMBLIES & PARTS	133
MICRO SWITCH KITS	115	POWER FAILURE UNLOCKING DEVICE & PARTS	133
MICRO SWITCHES	116	STOP ROLLER ASSEMBLIES	134
TOGGLE SWITCHES	117	STOP ROLLER PLATES	134
PARAMETER UNITS		RETIRING CAM PICK-UP ROLLER ASSEMBLIES	135
MOVFR SERIES	117	BELTS, CHAINS, & CHAIN PARTS	
CABLES	118	DRIVE BELT	135
TERMINAL CONNECTORS	118	REDUCTION BELT	135
TERMINAL BLOCKS	118	CAM DRIVE CHAIN	136
CONDUITS	119	DRIVE PULLEY CHAIN	136
CABLES	119	CHAIN CONNECTING MASTER LINK	136
WIRES	120	CHAIN CLAMPS	137
JUMPERS	120	BUSHINGS & NYLON PINS	
RESISTORS & TERMINAL BOX ASSEMBLIES		BUSHINGS	137
MOH & MOM SERIES	121	BUSHING REPLACEMENT KIT FOR MOCT LIMIT CAM SHAFT	138
MOH & MOM SERIES 5 RESISTORS (SHUNT WOUND MOTOR)	121	NYLON PINS FOR BRIDGING CAMS	138
MOH & MOM SERIES 4 RESISTORS (PM MOTOR)	121	SPACERS & SUPPRESSORS	
RESISTOR ASSEMBLIES AND PARTS		SPACERS (MOHL & MOML)	138
MOD SERIES	121	SUPPRESSORS	138
MOCT & MOM/MOH SLOW DOWN RESISTOR ASSEMBLY	122	OIL CHECKS	139
MOCT SPEED RESISTOR ASSEMBLY	122	OPERATOR MOUNTING HARDWARE	139
MOD AUXILIARY CONTROL PANEL RESISTOR ASSEMBLY	122		

TABLE OF CONTENTS

Car / Hatch Hangers

CAR DOOR HANGER ISOMETRIC DRAWING

SINGLE SPEED	
22"-48" DOOR OPENING	141
TWO SPEED (UNGEARED)	
24"-29" DOOR OPENING	142
49"-72" DOOR OPENING	143
TWO SPEED (GEARED)	
30"-48" DOOR OPENING	144
THREE SPEED (GEARED)	
30"-69" DOOR OPENING	145
CENTER PARTING	
30"-59" DOOR OPENING	146
CENTER PARTING (SPLIT TRACK)	
60"-83" DOOR OPENING	147
CENTER PARTING (VERTICALLY GEARED)	
30"-59" DOOR OPENING	148
TWO SPEED CENTER PARTING (UNGEARED)	
32"-73" DOOR OPENING	149
TWO SPEED CENTER PARTING (UNGEARED, SPLIT TRACK)	
74"-83" & 98"-114" DOOR OPENING	150
TWO SPEED CENTER PARTING (GEARED, SPLIT TRACK)	
84"-97" DOOR OPENING	151

CAR DOOR HANGER ASSEMBLIES

SINGLE SPEED - CONVENTIONAL - TYPE "A"	
13" HEADER	152
13" HEADER - HI-CAB KIT	152
LESS HEADER	153
SINGLE SPEED - VANDAL RESISTANT - TYPE "HA"	
13" HEADER (GEARED)	153
SINGLE SPEED - VANDAL RESISTANT - TYPE "NYCHA"	
13" HEADER (UNGEARED)	154
SINGLE SPEED - DUST/EXPLOSION RESISTANT - TYPE "AX"	
13" HEADER (UNGEARED)	154
SINGLE SPEED - WATER RESISTANT - TYPE "AW"	
13" HEADER	155
LESS HEADER	155
TWO SPEED - CONVENTIONAL - TYPE "A"	
13" HEADER (GEARED)	156
13", 15", 17", & 19" HEADER (UNGEARED)	157
13" HEADER (UNGEARED)	157
15", 17", & 19" HEADER (UNGEARED)	157
HI-CAB KIT	158
LESS HEADER (GEARED)	158
LESS HEADER (UNGEARED)	158

TWO SPEED - DUST/EXPLOSION RESISTANT - TYPE "AX"	
13" HEADER (GEARED)	158
13" HEADER (UNGEARED)	159
TWO SPEED - VANDAL RESISTANT - TYPE "HA"	
13" HEADER (GEARED)	159
13" HEADER (UNGEARED)	159
TWO SPEED - VANDAL RESISTANT - TYPE "NYCHA"	
13" HEADER (GEARED)	160
TWO SPEED - WATER RESISTANT - TYPE "AW"	
13" HEADER (GEARED)	161
13" HEADER (UNGEARED)	161
15", 17", 19" HEADER (UNGEARED)	161
LESS HEADER (GEARED)	161
LESS HEADER (UNGEARED)	161
THREE SPEED - CONVENTIONAL - TYPE "A"	
13" HEADER (GEARED)	162
17" HEADER (GEARED)	162
HI-CAB KIT	162
UNGEARED	163
THREE SPEED - WATER RESISTANT - TYPE "AW"	
GEARED	163
CENTER PARTING - CONVENTIONAL - TYPE "A"	
15", 17" HEADER (UNGEARED)	163
17", 19" HEADER (UNGEARED) - SPLIT HANGERS	164
15" HEADER (UNGEARED) - ARRANGED FOR HIGH CAB	164
15", 17" HEADER - VERTICAL GEARED	165
15" HEADER - HI-CAB KIT	166
LESS HEADER (UNGEARED)	167
CENTER PARTING - DUST/EXPLOSION RESISTANT - TYPE "AX"	
15", 17" HEADER (UNGEARED)	167
UNGEARED - ARRANGED FOR HIGH CAB	167
CENTER PARTING - WATER RESISTANT - TYPE "AW"	
15", 17" HEADER (UNGEARED)	168
17", 19" HEADER (UNGEARED) - SPLIT HANGERS	168
LESS HEADER (UNGEARED)	168
CENTER PARTING - VANDAL RESISTANT - TYPE "A"	
UNGEARED	168
UNGEARED - SPLIT HANGERS	168
VERTICAL GEARED	168
ARRANGED FOR HIGH CAB	168
LESS HEADER (UNGEARED)	169
TWO SPEED CENTER PARTING - CONVENTIONAL - TYPE "A"	
15", 17", 19" HEADER (UNGEARED)	169

TABLE OF CONTENTS

Car / Hatch Hangers

19" HEADER (GEARED)-SPLIT HANGERS	169	TWO SPEED (UNGEARED)	
HI-CAB KIT	169	CONVENTIONAL-TYPE "A"	185
LESS HEADER (UNGEARED)	170	WATER RESISTANT-TYPE "AW"	186
TWO SPEED CENTER PARTING- DUST/EXPLOSION RESISTANT-TYPE "AX"		VANDAL RESISTANT-TYPE "HA"	186
UNGEARED	170	VANDAL RESISTANT-TYPE "NYC HA"	187
TWO SPEED CENTER PARTING-WATER & VANDAL RESISTANT-TYPE "AW" & "HA"		DUST/EXPLOSION RESISTANT-TYPE "A"	187
SPLIT HANGERS (GEARED)	170	THREE SPEED (UNGEARED)	
THREE SPEED CENTER PARTING- CONVENTIONAL-TYPE "A"		CONVENTIONAL-TYPE "A"	188
170		CENTER PARTING (GEARED)	
HATCH HANGER ISOMETRIC DRAWING		CONVENTIONAL-TYPE "A"	188
SINGLE SPEED		CENTER PARTING (UNGEARED)	
22"-48" DOOR OPENING	171	CONVENTIONAL-TYPE "A"	189
TWO SPEED (UNGEARED)		CENTER PARTING (GEARED)	
24"-72" DOOR OPENING	172	WATER RESISTANT-TYPE "AW"	189
TWO SPEED (GEARED)		CENTER PARTING (UNGEARED)	
22"-48" DOOR OPENING	173	WATER RESISTANT-TYPE "AW"	189
THREE SPEED (UNGEARED)		DUST/EXPLOSION RESISTANT-TYPE "AX"	190
30"-69" DOOR OPENING	174	TWO SPEED CENTER PARTING (UNGEARED)	
CENTER PARTING		CONVENTIONAL-TYPE "A"	190
30' & UP DOOR OPENING	175	WATER RESISTANT-TYPE "AW"	191
CENTER PARTING (GEARED)		HATCH HANGER ISOMETRIC DRAWING	
30"-59" DOOR OPENING	176	OLD STYLE	
TWO SPEED CENTER PARTING (UNGEARED)		SINGLE SPEED	192
30' & UP DOOR OPENING	177	TWO SPEED	192
WESTINGHOUSE III, V		CENTER PARTING	193
SINGLE SPEED 22"-48" D.O.	178	TWO SPEED CENTER PARTING (UNGEARED)	194
WESTINGHOUSE IV		CENTER PARTING (GEARED)	194
TWO SPEED (UNGEARED) 30"-48" D.O.	179	HATCH DOOR HANGER ASSEMBLIES	
WESTINGHOUSE II		TYPE: 2 1/4" OLD STYLE HANGERS	
CENTER PARTING (GEARED) 36"-48" D.O.	180	SINGLE SPEED-INTERLOCK TOP MOUNTED	195
WESTINGHOUSE III-LOW		SINGLE SPEED-5 1/2" MIN. HEADER POCKET	196
CENTER PARTING (GEARED) 36"-48" D.O.	181	SINGLE SPEED-5" MIN. HEADER POCKET	196
WESTINGHOUSE IV		TWO SPEED-5 1/2"-5 15/16" HEADER POCKET	197
CENTER PARTING (GEARED) 36"-48" D.O.	182	TWO SPEED-6" -6 13/16" HEADER POCKET	198
WESTINGHOUSE III, III-LOW, V		TWO SPEED (6 7/8" & UP HEADER POCKET)	199
CENTER PARTING (GEARED) 36"-54" D.O.	183	CENTER PARTING (GEARED)	199
HATCH DOOR HANGER ASSEMBLIES		CENTER PARTING (UNGEARED)-HEADER HEIGHT: 4 1/8" & UP	200
SINGLE SPEED		WESTINGHOUSE & OTIS RETRO FIT EQUIPMENT	201
CONVENTIONAL-TYPE "A"	184	HATCH DOOR HANGER ASSEMBLIES	
WATER RESISTANT-TYPE "AW"	184	CENTER PARTING (GEARED)	202
VANDAL RESISTANT-TYPE "HA"	184	HATCH DOOR HANGER PARTS	
VANDAL RESISTANT-TYPE "NYCHA"	184	SHEAVES	203
VANDAL RESISTANT-TYPE "HA"	184	GEARING CABLE ASSEMBLY PARTS	203
VANDAL RESISTANT-TYPE "NYCHA"	185	ADAPTOR BAR & BRACKET	203
DUST/EXPLOSION RESISTANT-TYPE "AX"	185	HATCH HEADER & DUST COVER	204
		TRACKS	204
		HARDWARE	204

TABLE OF CONTENTS

Car / Hatch Hangers

CAR DOOR HANGER ASSEMBLIES AND PARTS	205
REEL CLOSER ASSEMBLIES AND PARTS	205
DOOR DRIVE ARM SUPPORT BRACKET	206
INTERLOCK ASSEMBLIES	
CONVENTIONAL	206
N INTERLOCK	206
NHA INTERLOCK	206
INTERLOCK PARTS	
SWITCH ASSEMBLIES & KEEPER	207
SWITCH MOUNTING ADAPTOR - ANGLES/BRACKETS/PLATES	207
KEEPER MOUNTING BRACKETS/PLATES	208
HARDWARE	209
HANGER PARTS	210
CABLE GEARING BAR ASSEMBLIES	210
CABLE GEARING ASSEMBLIES (TYPE "A")	210
CABLE GEARING ASSEMBLY PARTS	
PULLEY ASSEMBLIES AND PULLEYS	211
GEARING CABLES (TYPE "A") - TWO SPEED	212
GEARING CABLES (TYPE "A") - CENTER PARTING	212
GEARING CABLES (OLD STYLE TYPE "A") - CENTER PARTING	212
CLAMPS	212
SPACERS	213
CAR HEADER (TYPE "A" & "HA")	
HEADERS	214
HI-CAB KIT PARTS	
OPERATOR SUPPORT ANGLE (SET)	214
HEADER STRAP	214
CHANNELS	214
EXTENSION PLATES	215
OPERATOR SUPPORT ANGLES (TYPE "A")	216
PIVOT SUPPORT BRACKET ANGLES (TYPE "A")	216
HI-CAB KIT HARDWARE	217
MECHANICAL INTERCONNECTING DEVICES	
TYPE "A" HANGER	217
SHEAVE ASSEMBLIES (TYPE "A")	
CONVENTIONAL SHEAVES CHART	218
WATER & VANDAL RESISTANT SHEAVES CHART	220
CONVENTIONAL, 4 1/8" CL WITH 1/2-13 BOLTS	220
CONVENTIONAL, 4 1/8" CL WITH 3/8-16 BOLTS	221
WATER RESISTANT	222
SPECIALTY SHEAVE ASSEMBLIES (TYPE "A")	223
OLD STYLE SHEAVES	
TYPE "OS" (2 1/4" ROLLER)	223
MECHANICAL INTERCONNECTING DEVICE (TWO SPEED)	
TYPE "OS" (2 1/4" ROLLER)	224
SHEAVE ASSEMBLY PARTS	
ROLLER KITS	224
OILER/CLEANERS	224

TOP SAFETY RETAINERS - 2 1/4 OLD STYLE	225
TOP SAFETY RETAINERS & JIG (TYPE "A")	225
SHEAVE ECCENTRIC ROLLERS	225
CABLE CLAMPS (CAR HEADER)	
CONVENTIONAL	226
WATER RESISTANT	226
CAR DOOR TRACKS	
SINGLE SPEED	226
TWO SPEED	228
THREE SPEED	229
CENTER PARTING	230
TWO SPEED CENTER PARTING	230
HATCH DOOR TRACKS	
SINGLE SPEED	231
SINGLE SPEED - (OLD STYLE)	232
TWO SPEED	232
THREE SPEED	233
CENTER PARTING	234
TWO SPEED CENTER PARTING	234
TRACK ANGLES	235
TRACK BRACKETS	235
TRACK BUMPERS	236
PLATES & CLAMPS	237
SPACERS	237
SPACERS (TYPE "OS")	238
SPRINGS	238
UNISTRUT	
ADAPTOR CHANNEL	239
ADAPTOR CHANNEL HARDWARE	239
HARDWARE	
TRACK HARDWARE - SCREWS, NUT, & WASHERS	240
SHEAVE SHIMS (HORSESHOE WASHERS)	241
SHEAVE HARDWARE - PENDENT BOLTS	241
CAR HANGER HARDWARE	242
HATCH HANGER HARDWARE	243
HATCH HANGER HARDWARE (2 1/4" OLD STYLE)	244

Door Protection

DOOR PROTECTION	
INFRARED CURTAIN (FORMULA SYSTEMS)	246
INFRARED CURTAIN (TRI-TRONICS)	246
INFRARED CURTAIN PARTS	
CABLES (TRI-TRONICS)	246
CHIP	247
UNIVERSAL POWER SUPPLIES	247
SAFETY EDGE ASSEMBLIES	
RALX - DUST/EXPLOSION RESISTANT	247

TABLE OF CONTENTS

Door Protection

SAFETY EDGE PARTS

RALX	248
RAL	248
RALW (WATER RESISTANT)	251
RASS-RDL& HA	251
HT & HTE	251

Clutches

CLUTCH ISOMETRIC DRAWING

LWZ-2 SERIES

DRIVE ARM ACTUATED CLUTCH	252
---------------------------	-----

LW-2 & L-2 SERIES

DRIVE ARM ACTUATED CLUTCH	253
---------------------------	-----

CWZ-2 SERIES

CABLE ACTUATED CLUTCH	254
-----------------------	-----

CW-2 SERIES

CABLE ACTUATED CLUTCH	255
-----------------------	-----

S CLUTCH

STANDARD SINGLE ROLLER RELEASE CLUTCH	256
---------------------------------------	-----

LINK ACTUATED CLUTCH ASSEMBLIES

CONVENTIONAL

LWZ-2	257
LWZ-2-LOW	257
LWZ-2-LRC STD	258
LWZ-2-LRC LOW	258
LW-2	259
LW-2-LOW	259
LW-2-LRC STD	260
LW-2-LRC LOW	260
L-2	261
L-2-LOW	261

VANDAL RESISTANT

LWZ-2-HA	262
LWZ-2-HA-LOW	262
LWZ-2-HA-LRC STD	263
LWZ-2-HA-LRC LOW	263
LW-2-HA	264
LW-2-HA-LOW	264
LW-2-HA-LRC STD	265
LW-2-HA-LRC LOW	265

WATER RESISTANT

LWZ-2-W	266
LWZ-2-LOW-W	266
LWZ-2-LRC-W STD	267
LWZ-2-LRC-W LOW	267
LW-2-W	268
LW-2-LOW-W	268
LW-2-LRC-W STD	269
LW-2-LRC-W LOW	269

DUST/EXPLOSION RESISTANT

LWZ-2-HA	270
----------	-----

CONVENTIONAL

"S" STANDARD CLUTCH	270
---------------------	-----

CABLE ACTUATED CLUTCH ASSEMBLIES

CONVENTIONAL

CW-2	271
CW-2-LOW	272
CWZ-2	273
CWZ-2-LOW	273
C-2	274
C-2-LOW	275

CLUTCH ACCESSORY

CONVENTIONAL

REINFORCEMENT PLATE	275
---------------------	-----

CLUTCH PARTS

LWZ-1 CAR ZONE LOCKING ASSEMBLIES

TYPE "A" HANGER (CONVENTIONAL)	276
TYPE "A" HANGER (VANDAL RESISTANT)	277
GLASS DOORS (SPECIAL)	277

LWZ-1 CLUTCH LOWER CONNECTING LINK

CAR ZONE LOCKING PARTS	277
------------------------	-----

LWZ-1 CLUTCH SERIES - PARTS

LOCKING BAR GUIDES (CONVENTIONAL)	278
LOCKING BAR GUIDES (VANDAL RESISTANT)	278
LOCKING BAR GUIDES (SPECIAL)	278
ARMS	279
BARs	279
CAMS	280
LINKS	280
MISCELLANEOUS PARTS	281

L-1, LW-1, LWZ-1 CLUTCH SERIES - LINKS

	281
--	-----

LWZ-2 CAR ZONE LOCKING ASSEMBLIES

	282
--	-----

LWZ-2 CLUTCH SERIES - PARTS

MISCELLANEOUS PARTS	282
---------------------	-----

L-2, LW-2, LWZ-2 CLUTCH SERIES - LINKS

LOW/LRC CLUTCHES	283
------------------	-----

C-2, CW-2, CWZ-2 CLUTCH SERIES - PARTS

ACTIVATION PLATES & ROLLER ASSEMBLIES	284
CAMS & CABLES	284
MISCELLANEOUS PARTS	285

CLUTCH VANES

DOOR OPEN VANES	286
DOOR CLOSE VANES	287
FIXED VANES	288

CLUTCH ROLLERS

	288
--	-----

CLUTCH SPRINGS

	288
--	-----

CLUTCH HARDWARE

	289
--	-----

TABLE OF CONTENTS

Car Door Zone Locks

CAR ZONE LOCK ISOMETRIC DRAWING	
TYPE "CDZ" - SWING DOOR	290
TYPE "SN-Z" - SLIDING DOOR	291
CAR ZONE LOCK ASSEMBLIES	
TYPE "CDZ" - SWING DOOR	292
TYPE "CDZ" AND "SN-Z"	
CAMS	292
TYPE "SN-Z" - SLIDING DOOR (S/S, 2/SP, 3/SP)	292
CAR ZONE LOCK PARTS	
TYPE "CDZ"	
LATCHES	293
TYPE "SN-Z"	
KEEPERS	293
MOUNTING ANGLES	293
CONVENTIONAL PARTS	293

Retiring Cams

RETIRING CAM ISOMETRIC DRAWING	
STANDARD	294
MOTORIZED	295
RETIRING CAM ASSEMBLIES	
	296
RETIRING CAM PARTS	
MOTORS & POWER PACKS	297
POWER PACK & PARTS	297
ARMS & CAM	298
BUMPERS	299
EXTENSION ANGLES AND PLATES	299
GUIDE PLATE	300
PULLEY ASSEMBLIES AND PARTS	300
SPRING AND ROD ASSEMBLIES	301
HARDWARE	301

Door Closers

SPRING CLOSER ISOMETRIC DRAWING	
SINGLE SPEED & CENTER PARTING	302
TWO SPEED & TWO SPEED CENTER PARTING	303
THREE SPEED & THREE SPEED CENTER PARTING	304
CAR DOOR LINKAGE ISOMETRIC DRAWING	
TWO SPEED	305
REEL CLOSER ISOMETRIC DRAWING	
STANDARD & WATER RESISTANT	306
CP - WESTINGHOUSE IV & V	306

DOOR CLOSER ASSEMBLIES

SPRING CLOSERS	
CONVENTIONAL - DUST/EXPLOSION RESISTANT - VANDAL RESISTANT	307
WATER RESISTANT	309
CAR DOOR LINKAGE	
CONVENTIONAL	312
REEL CLOSERS	
CONVENTIONAL	312
WATER RESISTANT	312
SPRING CLOSER ACCESSORIES	
CLOSER REINFORCEMENT PLATE	312

DOOR CLOSER PARTS

REEL CLOSER BRACKETS	313
SPRING CLOSER ARMS	313
LINK & BRACKETS	
CONVENTIONAL	313
WATER RESISTANT	315
SPRING CLOSER SHOES	315
SPRING CLOSER BRACKETS	315
SPRING CLOSER BASES	316
SPRING CLOSER GUIDES	316
SPRING ROD ASSEMBLIES & PARTS	316
SPRING CLOSER HARDWARE	317

MANUAL EQUIPMENT ISOMETRIC DRAWING

STRAIGHT ARM CLOSER	
SINGLE SPEED (22"-120" D.O.)	318
TWO SPEED (22"-120" D.O.)	319
BROKEN ARM CLOSER	
SINGLE SPEED (22"-144" D.O.)	320
TWO SPEED (22"-120" D.O.)	321

MANUAL HATCH EQUIPMENT

BROKEN ARM CLOSERS	
CONVENTIONAL	322
WATER RESISTANT	322
STRAIGHT ARM CLOSERS	
CONVENTIONAL	322
ARMS & BRACKET	323
HOUSING ASSEMBLIES AND PARTS	
BROKEN ARM CLOSERS & STRAIGHT ARM CLOSERS	323
B.A.C. & S.A.C. OIL CHECK & CLOSER SPRINGS	
CLOSER SPRINGS FOR B.A.C.	324
CLOSER SPRINGS FOR S.A.C.	324
OIL CHECK SPRINGS FOR B.A.C.	325
OIL CHECK SPRINGS FOR S.A.C.	325
HARDWARE	325

TABLE OF CONTENTS

Door Closers

MANUAL CAR EQUIPMENT

COLLAPSIBLE GATE CLOSERS

CONVENTIONAL	325
--------------	-----

CAR DOOR CLOSERS

CONVENTIONAL	326
WATER RESISTANT - TWO SPEED	326

CAR DOOR & COLLAPSIBLE GATES CLOSERS

SOLENOID RELEASE UNITS & LINKS	326
--------------------------------	-----

BRACKETS

	327
--	-----

MANUAL HATCH & CAR EQUIPMENT

OIL CHECKS

BROKEN ARM AND STRAIGHT ARM CLOSERS	327
CAR DOOR & COLLAPSIBLE GATES CLOSERS	327

Interlocks

INTERLOCK ISOMETRIC DRAWING

TYPE: "MOH", "MOHA", "MOM", "MO"

SLIDING DOOR (CONVENTIONAL/VANDAL RESISTANT)	328
--	-----

TYPE: "MO" BAR LOCK

MANUAL SLIDING DOOR	329
---------------------	-----

TYPE: "MOCP", "MOCPH", "MOCPHA"

SLIDING DOOR - CENTER PARTING (CONVENTIONAL/VANDAL RESISTANT)	330
--	-----

TYPE: "MOCPH"

SLIDING DOOR - CENTER PARTING (WESTINGHOUSE REPLACEMENT)	331
---	-----

TYPE: "MOCP" BAR LOCK

SLIDING DOOR - MANUAL CENTER PARTING	332
--------------------------------------	-----

TYPE: "MOWH", "MOXH"

SLIDING DOOR (WATER & EXPLOSION RESISTANT)	333
--	-----

TYPE: "MOW-RC", "MOW-CP-RC", "MOX-RC", "MOX-CP-RC"

SLIDING DOOR (WATER & EXPLOSION RESISTANT-RETIRING CAM ACTIVATED)	334
--	-----

TYPE: "DM", "DM-MH" (W/ MECHANICAL HOLE)

DOUBLE SWING DOOR - RETIRING CAM OPERATION	335
--	-----

TYPE: "HD"

SLIDING DOOR - FOR STRAIGHT ARM CLOSERS	336
---	-----

TYPE: "VR"

MANUAL VERTICAL RISING DOORS	337
------------------------------	-----

TYPE: "K5" (W/ DOUBLE BAR & BRACKETS)

MANUAL DOUBLE SWING DOOR	338
--------------------------	-----

TYPE: "K5" (W/ CHAIN BOLT & OPERATING BAR)

MANUAL DOUBLE SWING DOOR	339
--------------------------	-----

TYPE: "K" (W/ BAR & BRACKET)

MANUAL SLIDING DOOR	340
---------------------	-----

TYPE: "K-1" (W/ BAR & BRACKET)

MANUAL SWING DOOR	341
-------------------	-----

TYPE: "WX", "WP"

MANUAL SLIDING DOOR (WATER & EXPLOSION RESISTANT)	342
MANUAL SWING DOOR (WATER & EXPLOSION RESISTANT)	343

TYPE: "N", "NHA"

MANUAL SLIDING DOOR	344
MANUAL SWING DOOR	345

TYPE: "N", "NHA" (WECO)

MANUAL SWING DOOR (WESTINGHOUSE REPLACEMENT)	346
--	-----

TYPE: "N", "NHA" (OTIS)

MANUAL SWING DOOR-OTIS REPLACEMENT	347
------------------------------------	-----

TYPE: "MO10", "MOH10", "MOHRD10"

SLIDING DOOR - OTIS REPLACEMENT & ROUND ELEVATOR	348
--	-----

TYPE: "MOCPH10"

SLIDING DOOR - CENTER PARTING	349
-------------------------------	-----

INTERLOCK ASSEMBLIES (POWER DOORS)

SLIDING DOOR (CONVENTIONAL)

MO INTERLOCK WITH SINGLE ROLLER	350
MOM INTERLOCK WITH VERTICAL ROLLERS	350
MOH INTERLOCK WITH HORIZONTAL ROLLERS	351
MOH INTERLOCK WITH HORIZONTAL ROLLERS (BOTTOM MOUNTED)	351

SLIDING DOOR (VANDAL/WATER/DUST/EXPLOSION RESISTANT)

	352
--	-----

VANDAL RESISTANT

MOHA INTERLOCK WITH HORIZONTAL ROLLERS & SHIELD	352
---	-----

WATER RESISTANT

MOWH INTERLOCK WITH HORIZONTAL ROLLERS	352
--	-----

DUST/EXPLOSION RESISTANT

MOXH INTERLOCK WITH HORIZONTAL ROLLERS	353
--	-----

SLIDING DOOR - CENTER PARTING (CONVENTIONAL/VANDAL RESISTANT)

	353
--	-----

CENTER PARTING - CONVENTIONAL

MOCP INTERLOCK WITH VERTICAL ROLLERS	353
MOCPH INTERLOCK WITH HORIZONTAL ROLLERS	353

CENTER PARTING - VANDAL RESISTANT

MOCPHA INTERLOCK WITH HORIZONTAL ROLLERS & SHIELD	353
---	-----

SLIDING DOOR - (GLASS DOOR ELEVATOR)

MOCPH-G INTERLOCK WITH HORIZONTAL ROLLERS	354
MOH-G INTERLOCK WITH HORIZONTAL ROLLERS	354
MOH10 INTERLOCK	354
MOHRD10 INTERLOCK	354

OTIS REPLACEMENT

MO10 INTERLOCK	354
----------------	-----

ROUND DOOR

MOCPH10 INTERLOCK	354
-------------------	-----

TABLE OF CONTENTS

Interlocks

INTERLOCK ASSEMBLIES (MANUAL DOORS)

SWING DOOR INTERLOCKS - CONVENTIONAL	355
DM INTERLOCK	355
DM-MH INTERLOCK	355
K1 INTERLOCK	355
K5 INTERLOCK	355

SLIDE DOOR INTERLOCKS - CONVENTIONAL

K INTERLOCK	356
MO BAR LOCK	356
MOCB BAR LOCK	356

CONVENTIONAL

HD INTERLOCK	356
VR INTERLOCK	356
N INTERLOCK MOUNTING ARRANGEMENT	357
WHAT G.A.L. NEEDS TO KNOW FOR ORDERING "N" LOCKS	358
N INTERLOCK STANDARD ROLLER ARM SHAFT LENGTHS	358
N INTERLOCK (FOR SWING DOORS)	358
N INTERLOCK (FOR SWING DOORS) - WECO REPLACEMENT	359
N INTERLOCK (FOR SWING DOORS) - OTIS	359
N INTERLOCK (FOR SLIDING DOORS) - STANDARD	359
N INTERLOCK (FOR SLIDING DOORS) - FIG. 4	359
N INTERLOCK (FOR SLIDING DOORS) - FIG. 4A	359
N INTERLOCK (FOR SLIDING DOORS) - FIG. 4B	359

"NHA" HOUSING AUTHORITY TYPE

NHA INTERLOCK STANDARD ROLLER ARM SHAFT LENGTHS	360
NHA INTERLOCK (FOR SWING DOORS)	360
NHA INTERLOCK (FOR SLIDING DOORS)	360
NHA INTERLOCK (FOR SWING DOORS) - OTIS	360

RETIRING CAM OPERATED - DUST/EXPLOSION RESISTANT

WX INTERLOCK - SWING DOOR	361
WX INTERLOCK - SLIDE DOOR	361
MOX-CP-RC INTERLOCK	361
MOX-RC INTERLOCK	361

RETIRING CAM OPERATED - WATER RESISTANT

WP INTERLOCK - SWING DOOR	362
WP INTERLOCK - SLIDE DOOR	362
MOW-CP-RC INTERLOCK	362
MOW-RC INTERLOCK	362

INTERLOCK ACCESSORIES

EMERGENCY KEY BOX AND PARTS

FLUSH MOUNTED	363
SURFACE MOUNTED	363
HAMMER	363
EMERGENCY KEY BOX GLASS	363

TRANSFER LINKAGE

PIT "MO" INTERLOCK ACCESS DEVICE	366
----------------------------------	-----

MISCELLANEOUS

JUMPER (MO)	367
JUMPER (M/N)	367
JUMPER (M/N/MO)	367

KEYS (MO)	367
KEYS (VHA-1)	367
KEYS (M/N)	367
KEY CLAMPS (KMO)	368
KEY CLAMPS	368
NON-REVERSING DEVICE (HD)	368
WATER DEFLECTOR SHIELD (N)	368
ADAPTOR KIT (N/NHA)	368
PULL STRAP (VP)	368
REINFORCEMENT PLATES	368

INTERLOCK PARTS

ANGLES, BRACKETS, CHANNELS, AND PLATES

SWITCH MOUNTING ANGLES	369
SWITCH MOUNTING PLATES	370
KEEPER DOOR MOUNTING PLATES	370
KEEPER MOUNTING PLATES	371

BARS & CHAINS

CONVENTIONAL	372
--------------	-----

CAMS

CONVENTIONAL	373
VANDAL RESISTANT/DUST/EXPLOSION RESISTANT	374

LATCH ASSEMBLIES & PARTS

CONVENTIONAL	374
--------------	-----

CAMS AND LATCH ASSEMBLIES

DUST/EXPLOSION RESISTANT	375
--------------------------	-----

CONTACTS

CONTACT KITS	375
BRIDGING CONTACTS	376
CONTACT BASES	377
INSULATORS	378

COVERS

	378
--	-----

KEEPER ASSEMBLIES

	380
--	-----

RELEASE ROLLER ASSEMBLIES (MO)

CONVENTIONAL	382
VANDAL RESISTANT	383
WATER/EXPLOSION RESISTANT	383

LOWER LINKS (MO INTERLOCK)

CONVENTIONAL	383
--------------	-----

LOWER LINKS (MOHA INTERLOCK)

VANDAL RESISTANT	383
------------------	-----

LOWER LINKS (MOW & MOX INTERLOCK)

WATER/EXPLOSION RESISTANT	384
---------------------------	-----

LOWER LINKS (SPECIAL)

	384
--	-----

UPPER LINKS (MO INTERLOCK)

	384
--	-----

CUSTOM LINKS (MO, MO10, HD)

	384
--	-----

SHIELD WITH EMERGENCY UNLOCKING DEVICES (MOHA, MOCPHA)

VANDAL RESISTANT	385
------------------	-----

TABLE OF CONTENTS

Interlocks

ROLLER RELEASE & KEEPER ASSEMBLIES WITH DOOR MOUNTING PLATE	385
ROLLER RELEASE SPACERS (MO)	385
KEEPER SPACER (MO, MOW, MOX)	386
ROLLERS (MO)	
CONVENTIONAL/WATER/EXPLOSION RESISTANT	386
ROLLER ARMS (M/N)	386
SHAFT SUPPORTS	
CONVENTIONAL	386
SWITCH ASSEMBLIES	
CONVENTIONAL	387
VANDAL/WATER/DUST/EXPLOSION RESISTANT	388
"N" & "NHA" SWITCH ASSEMBLIES (SWING)	389
"N" & "NHA" SWITCH ASSEMBLIES (SLIDE)	389
SHAFTS AND SHAFT CODES	
CONVENTIONAL	391
VANDAL RESISTANT	391
HARDWARE	
BUMPERS	391
BUSHINGS	392
MOUNTING HARDWARE	392
SCREWS	392
PIN	393
GUIDE	393
SPACER	393
RETAINER	393
WASHER	393
SPRING AND PIN	393
SPRINGS	394

Locks, Contacts & Switches

DOOR CONTACT ISOMETRIC DRAWING

SDC SINGLE DOOR CONTACT	
TYPE "SDC"	395
SN-C DOOR CONTACT	
TYPE "SN-C"	395

SWITCH ISOMETRIC DRAWING

GATE SWITCH	
TYPE "G"	396
LIMIT SWITCH	
TYPE "LSO"	396
TYPE "LS"	397
TYPE "LTS" & "LTD"	398
TYPE "MANUAL RESET" & "SLACK CABLE"	399

LOCK & CONTACT ISOMETRIC DRAWING

SWING DOOR	
TYPE "SDM & SDM-MH"	400
TYPE "SN"	401
SLIDING DOOR	
TYPE "SN"	402
SWING/SLIDING DOOR	
TYPE "MB"	403

LOCK, CONTACT, & SWITCH ASSEMBLIES

"DM" LOCK (DOUBLE SWING DOOR)	404
"SN" LOCK (FOR SWING DOORS)	404
"SN" LOCK (FOR SLIDING DOORS)	405
"SN" ADAPTOR KIT	405
"SN" SWITCH ASSEMBLIES	405
"SDM" SWITCH ASSEMBLIES	405
SHAFT CODES	406
LOCK SHAFTS	406
SHAFTS	
CONVENTIONAL / WATER RESISTANT	406
DOOR CONTACT ASSEMBLIES	407
"MB" BAR LOCK AND KEEPER	407
GATE SWITCH ASSEMBLIES	
"G" GATE SWITCH ARRANGEMENT	407
"G" GATE SWITCH ARRANGEMENT WITH SHIELD (VANDAL RESISTANT)	408
"GW" GATE SWITCH - WATER RESISTANT	409
"GX" GATE SWITCH - DUST/EXPLOSION RESISTANT	409
"VG" GATE SWITCH	409
"VG-1" GATE SWITCH	409

LIMIT SWITCH ASSEMBLIES

LS LIMIT SWITCH	410
LSO LIMIT SWITCH	410
LD LIMIT SWITCH	410
LD-HA LIMIT SWITCH	410
LS-HA LIMIT SWITCH	410
LSO-HA LIMIT SWITCH	410
LTD LIMIT SWITCH	410
LTD-HA LIMIT SWITCH	410
LTS LIMIT SWITCH	410
LTS-HA LIMIT SWITCH	410
LS MOUNTING BRACKET KIT	410
WATER/DUST/CORROSION/EXPLOSION RESISTANT	411
SCLS (SLOPPING CAM) LIMIT SWITCH	411

MAGNETIC LIMIT SWITCH ASSEMBLY KITS

TWO MLS LIMIT SWITCH	411
THREE MLS LIMIT SWITCH	411
MLS LIMIT SWITCH REPLACEMENT	411

TABLE OF CONTENTS

Locks, Contacts & Switches

SLACK CABLE SWITCH

SC SLACK CABLE SWITCH & ROLLER	412
SC SLACK CABLE SWITCH & BAR	412
BARS-SLACK CABLE SWITCHES	412

BROKEN CABLE SWITCH

CABLE SWITCH ASSEMBLY	412
CABLE SWITCH	412
CABLE SPRING ASSEMBLY	412
CABLE ROD ASSEMBLY	412

LOCK, CONTACT, & SWITCH PARTS

CAMS

CONVENTIONAL/WATER/EXPLOSION/DUST RESISTANT	413
---	-----

CONTACTS & CONTACT KITS

.	413
-----------	-----

COVERS

CONVENTIONAL/WATER RESISTANT	415
--	-----

KEEPERS

.	416
-----------	-----

MOUNTING PLATES

.	417
-----------	-----

ROLLERS & ARMS

.	417
-----------	-----

SPRINGS

CONVENTIONAL/WATER RESISTANT	418
--	-----

HARDWARE

.	419
-----------	-----

GAL Operators

DOOR EQUIPMENT

CONVENTIONAL

- **MOVFR II** — Master Operator Variable Frequency, with “L” drive arm linkage or drive shoe
- **MODL** — Master Operator DC, with “L” drive arm linkage
- **MOHL** — Master Operator DC, High Speed, with “L” drive arm Linkage
- **MODCTL** — Master Operator DC Car Top Controlled, with “L” drive arm linkage for AC power supply
- **MOHCTL** — Master Operator DC, High Speed Car Top Controlled, with “L” drive arm linkage, for AC power supply
- **MOD** — Master Operator DC, with drive shoe
- **MODCT** — Master Operator DC Car Top Controlled, with drive shoe, for AC power supply
- **MODCTA** — Master Operator DC Car Top Controlled, with drive shoe, for 3 wire AC power supply
- **MODCTAL** — Master Operator DC Car Top Controlled, with “L” drive arm Linkage for 3 wire AC power supply

WATER RESISTANT

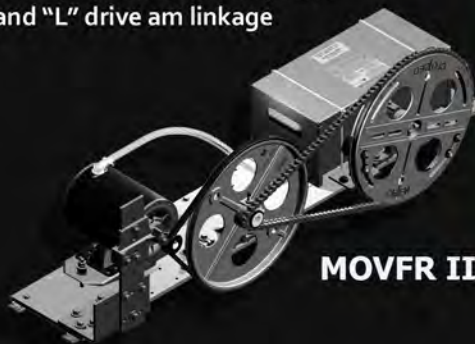
- **MOVFRW II** — Master Operator Variable Frequency, Water Resistant, with “L” drive arm linkage

DUST/EXPLOSION RESISTANT

- **MOXL** — Master Operator DC, Dust/Explosion Resistant, with “L” drive arm linkage

VANDAL RESISTANT

- **MODHFL** — Master Operator DC, Vandal Resistant, with Fault Monitor and “L” drive am linkage
- **MODLNYC** — Master Operator DC, Vandal Resistant, with Fault Monitor and “L” drive am linkage



MOVFR II

OPERATOR ASSEMBLIES 1-70

DOOR DRIVE ARM 71-101

MOTORS & PARTS 102-106

LIMIT CONTROL 107-112

BOARDS & DRIVE 112-114

- RECTIFIER KITS
 - FUSES
 - MICRO SWITCHES
 - PARAMETER UNITS
 - TERMINAL CONNECTORS
 - CONNECTORS
 - TERMINAL BLOCKS
 - CONDUITS
 - CABLES, WIRES JUMPERS
- 114-120

RESISTORS & TERMINAL BOXES 112-114

- PULLEYS
 - BEARING BLOCKS
 - BELT TENSIONERS
 - SPROCKETS & SHAFTS
- 125-133

- POWER FAILURE UNLOCKING DEVICE
 - STOP ROLLERS
 - RETIRING CAM PICK-UP ROLLERS
- 133-135

- BELT, CHAIN & PARTS
 - BUSHING & NYLON PINS
 - SPACER & SUPPRESSORS
- 135-138

HOW TO CHOOSE AN OPERATOR FROM TABLES

- 1) Choose Equipment Type :
 - Conventional
 - Vandal Resistant
 - Dust/Explosion Resistant
 - Water Resistant
- 2) Choose Operator Models. (Example: MOVFR11, MODL, MOHL,...ETC.)
- 3) Door Style :
 - Single Speed
 - Two Speed
 - Three Speed
 - Center Parting
 - Two Speed Center
 - Three Speed Center Parting
- 4) Voltage Supply : Standard - 200 - 230 V AC for MOVFR Operators
 200 - 230 V DC for DC Operators
 200 - 230 V AC/DC for CT Operators
 Contact G.A.L. for 100 - 115 V AC/DC

5) Header Height:

How to CHOOSE Header Height

Method 1: Measure the existing Operator Header
 When choosing a header size from tables, use the exact size or the next largest size. EXAMPLE: 14" existing header for single speed, use 15" header from tables.

Method 2: Formula: $'C' + 1" - 'A' = 'H'$
 Measure O.A. cab height ' C ', the door opening O.A. height ' A '. Use the difference between ' C ' + 1" and ' A ' to determine header height from tables. Header height must match with or be greater than this difference ' H '.

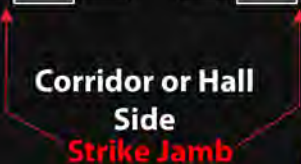
6) Door Opening Size, Width & Height



7) Specify Hand



Door hand determined by what side the strike jamb is on from corridor or hall looking into elevator

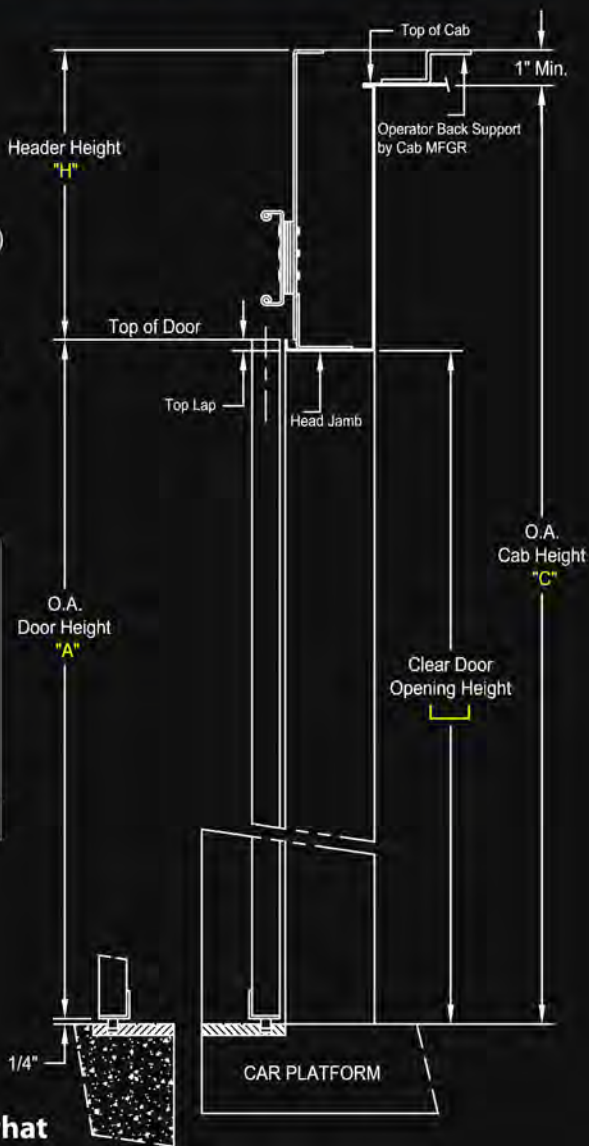


NOTE:

"L" Type Operators are supplied with aluminum drive arm assemblies.
Shoe Type Operators are supplied with crank arm w/ roller bearing & drive shoe.
Gate Switch, mandatory & included with all operators, is charged separately.

Door Link & Bracket is needed if **NO** G.A.L. clutch is being used.

If **Center Parting Operator** is ordered and not being used with a G.A.L. hanger, (2) drive arm support brackets (**OP25-0001N** or **OP25-0002N**) are required for mounting drive arm to existing header.



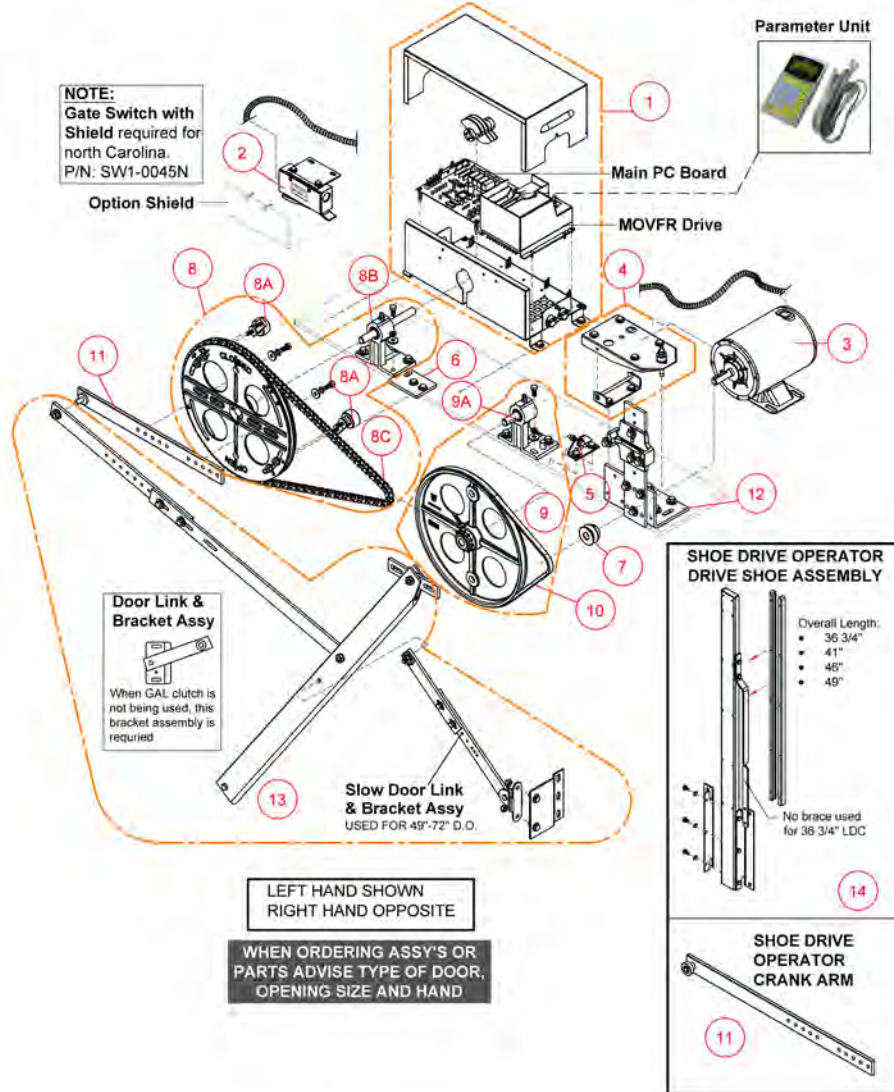
DOOR EQUIPMENT

Operator Isometric Drawing

MOVFR II Operator

Operator Assemblies

Single Speed 22"-48" D.O./Two Speed 30"-72" D.O.



Item No	Description
1	MOVFR II Limit Control Assembly (Page# 104)
2	Gate Switch Assembly (Page# 407)
3	1/2 HP 230 VAC Motor (Page# 102-103)
4	Motor Base Assembly (Page# 104)
5	Bearing Block Adjustable Angle (Page# 131)
6	Stop Roller Plate (Page# 134)
7	Motor Pulley (Page# 128-130)
8	Drive Pulley & Bearing Assemblies (Page# 125-126)
8A	Stop Roller Assembly (Page# 134)

Item No	Description
8B	Drive Bearing Block Assembly (Page# 130-131)
8C	Drive Pulley Chain (Page# 136)
9	Intermediate Pulley & Bearing Block Assemblies (Page# 127)
9A	Intermediate Bearing Block Assembly (Page# 130-131)
10	2440 "V" Belt (Page# 135)
11	Crank Arm Assembly (Page# 83-84)
12	Drive Arm Support Assembly (Page# 97-98)
13	Drive Arm Assembly (Page# 73-76)
14	Drive Shoe Assembly (Page# 84)

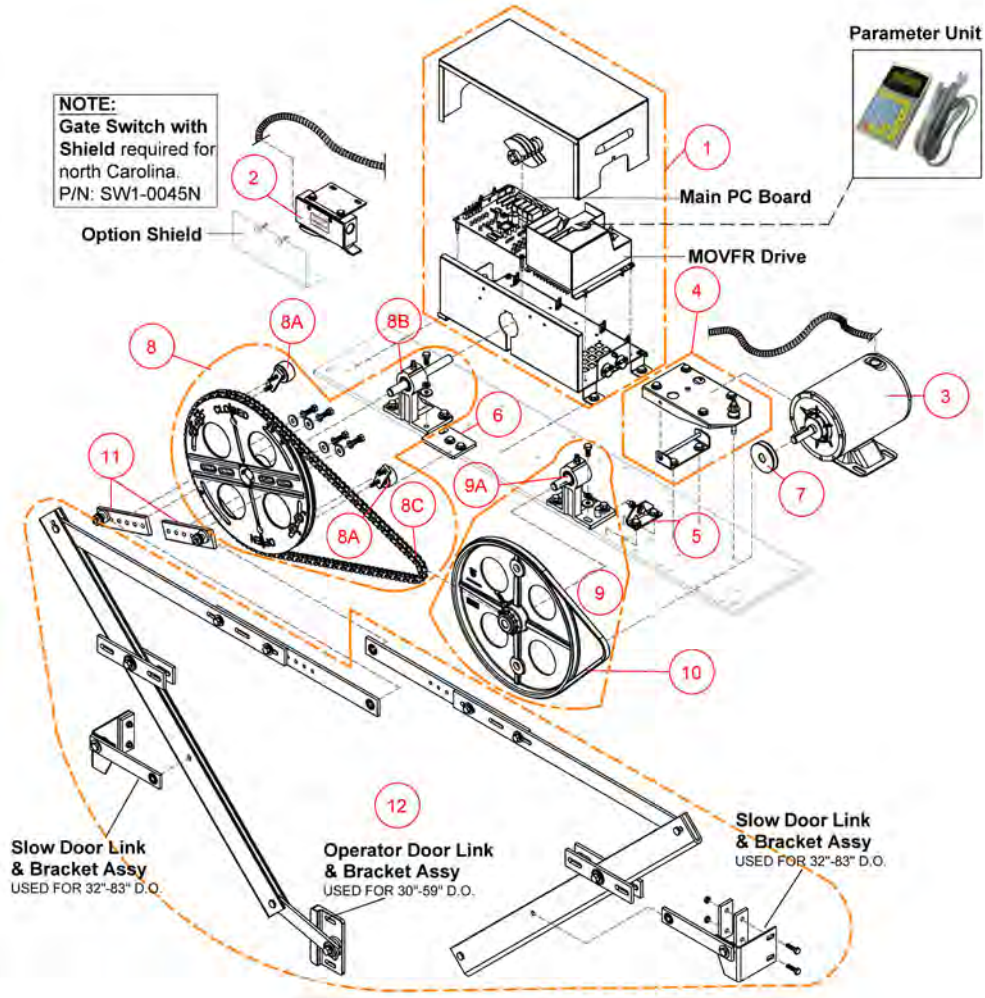
Mounting hardware included with this operator assembly (Page# 139)

DOOR EQUIPMENT

Operator Isometric Drawing

MOVFR II Operator

Center Parting 30"-83" D.O./Two Speed Center Parting 32"-83" D.O.



Item No	Description
1	MOVFR II Limit Control Assembly (Page# 104)
2	Gate Switch Assembly (Page# 407)
3	1/2 HP 230 VAC Motor (Page# 102-103)
4	Motor Base Assembly (Page# 104)
5	Bearing Block Adjustable Angle (Page# 131)
6	Stop Roller Plate (Page# 134)
7	Motor Pulley (Page# 128-130)
8	Drive Pulley & Bearing Assemblies (Page# 125-126)

Item No	Description
8A	Drive Bearing Block Assembly (Page# 130-131)
8B	Drive Pulley Chain (Page# 136)
8C	Intermediate Pulley & Bearing Block Assemblies (Page# 127)
9	Intermediate Bearing Block Assembly (Page# 130-131)
9A	Intermediate Bearing Block Assembly
10	2450 "V" Belt (Page# 135)
11	Crank Arm Assembly (Page# 83-84)
12	Drive Arm Assembly (Page# 78-79)

Mounting hardware included with this operator assembly (Page# 139)

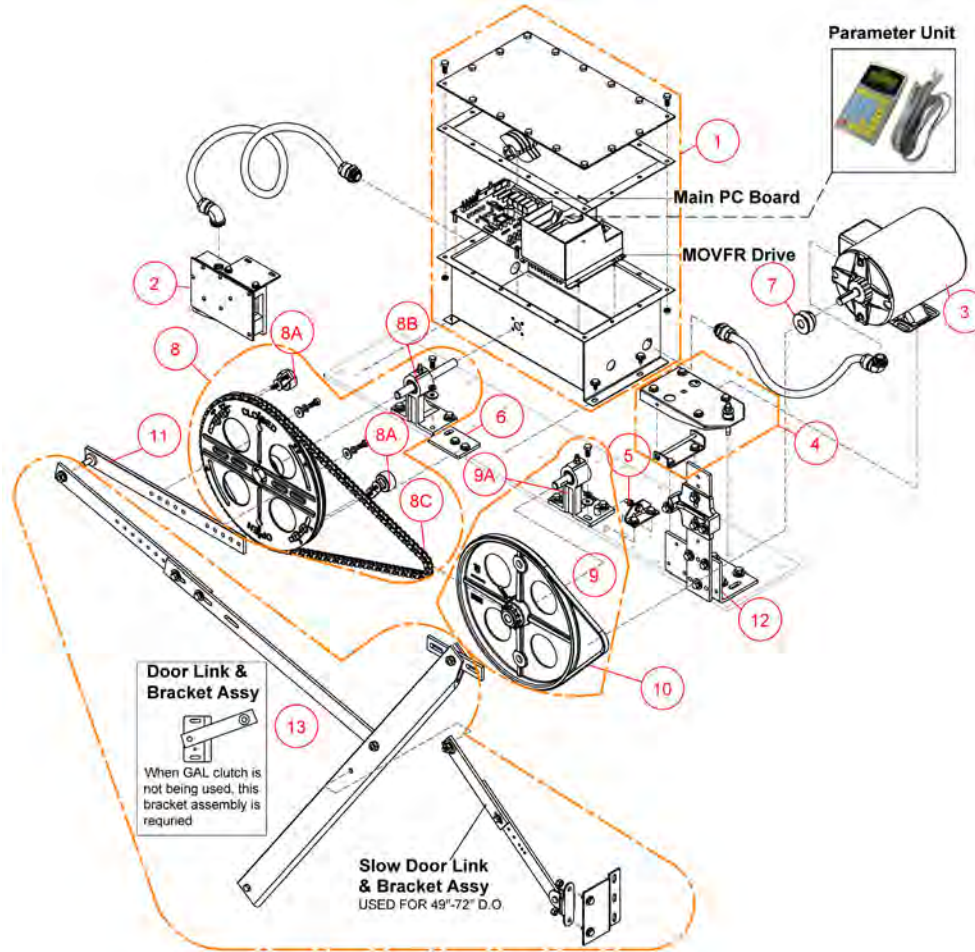
DOOR EQUIPMENT

Operator Isometric Drawing

MOVFRW II Operator

Operator
Assemblies

Single Speed 22"-48" D.O./Two Speed 30"-72" D.O.



LEFT HAND SHOWN
RIGHT HAND OPPOSITE

WHEN ORDERING ASSY'S OR PARTS ADVISE TYPE OF DOOR, OPENING SIZE AND HAND

Item No	Description
1	MOVFRW II Limit Control Assembly (Page# 106)
2	Gate Switch Assembly (Page# 409)
3	1/2 HP 230 VAC Motor (Page# 102-103)
4	Motor Base Assembly (Page# 104)
5	Bearing Block Adjustable Angle (Page# 131)
6	Stop Plate (Page# 134)
7	Motor Pulley (Page# 128-130)
8	Drive Pulley & Bearing Assemblies (Page# 127)
8A	Stop Roller Assembly (Page# 134)

Item No	Description
8B	Drive Bearing Block Assembly (Page# 130-131)
8C	Drive Pulley Chain (Page# 136)
9	Intermediate Pulley & Bearing Block Assemblies (Page# 130-131)
9A	Intermediate Bearing Block Assembly (Page# 130-131)
10	2440 "V" Belt (Page# 135)
11	Crank Arm Assembly (Page# 83-84)
12	Drive Arm Support Assembly (Page# 97-98)
13	Drive Arm Assembly (Page# 73-76)

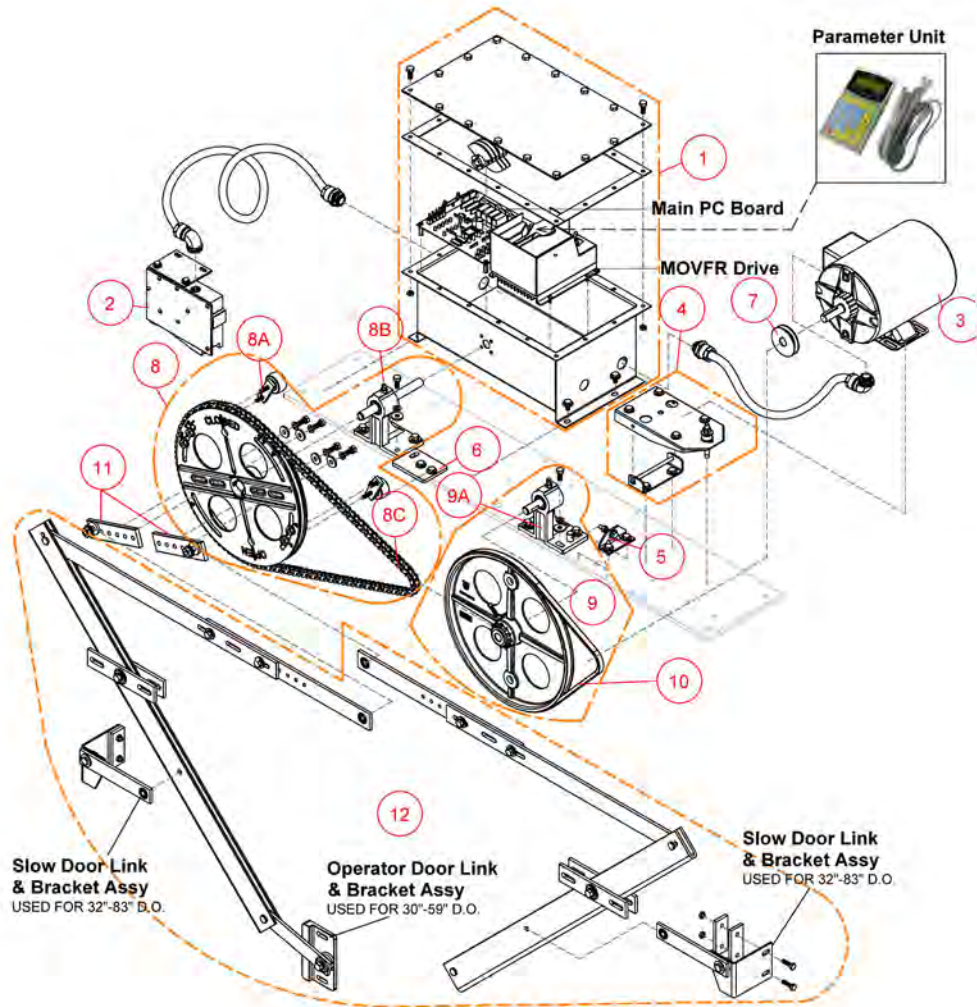
Mounting hardware included with this operator assembly (Page# 139)

DOOR EQUIPMENT

Operator Isometric Drawing

MOVFRW II Operator

Center Parting 30"-59" D.O./Two Speed Center Parting 30"-83" D.O.



Item No	Description
1	MOVFRW II Limit Control Assembly (Page# 106)
2	Gate Switch Assembly (Page# 409)
3	1/2 HP 230 VAC Motor (Page# 102-103)
4	Motor Base Assembly (Page# 104)
5	Bearing Block Adjustable Angle (Page# 131)
6	Stop Plate (Page# 134)
7	Motor Pulley (Page# 128-130)
8	Drive Pulley & Bearing Assemblies (Page# 127)

Item No	Description
8B	Drive Bearing Block Assembly (Page# 130-131)
8C	Drive Pulley Chain (Page# 136)
9	Intermediate Pulley & Bearing Block Assemblies (Page# 130-131)
9A	Intermediate Bearing Block Assembly (Page# 130-131)
10	2450 "V" Belt (Page# 135)
11	Crank Arm Assembly (Page# 83-84)
12	Drive Arm Assembly (Page# 78-79)

Mounting hardware included with this operator assembly (Page# 139)

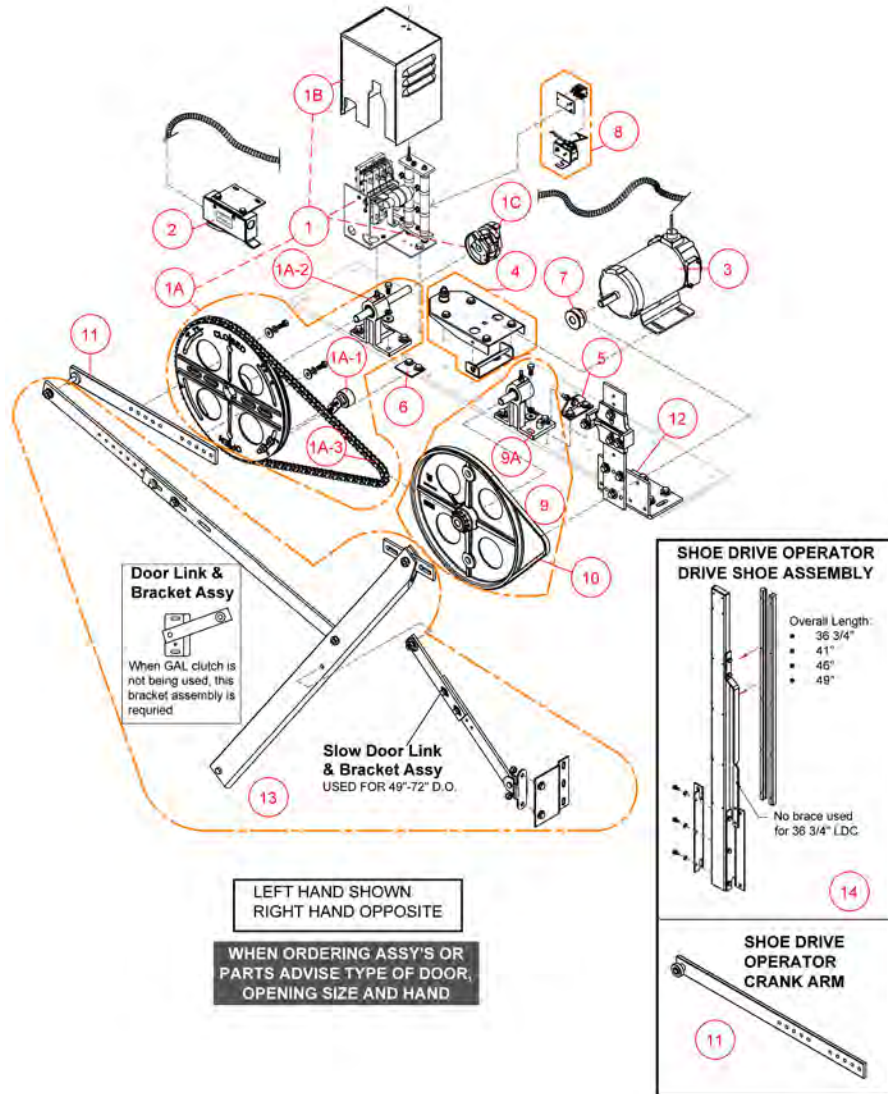
DOOR EQUIPMENT

Operator Isometric Drawing

MODL Operator

Operator
Assemblies

Single Speed 22"-48" D.O./Two Speed 30"-59" D.O.



Item No	Description
1	MOD Limit Control Assembly (Page# 105)
1A	MOD Drive Pulley & Bearing Assemblies (Page# 125-126)
1A-1	Stop Roller Assembly (Page# 134)
1A-2	Drive Bearing Block Assembly (Page# 130-131)
1A-3	Drive Pulley Chain (Page# 136)
1B	Limit Control Box Cover (Page# 107-108)
1C	Limit Control Cam Set (Page# 110)
2	Gate Switch Assembly (Page# 407)
3	1/6 HP 230 VDC PM Motor (Page# 102-103)
4	Motor Base Assembly (Page# 104)
5	Bearing Block Adjustable Angle (Page# 131)

Item No	Description
6	Stop Roller Plate (Page# 134)
7	Motor Pulley (Page# 128-130)
8	Microswitch Kit (Page# 115-116)
9	Intermediate Pulley & Bearing Block Assemblies (Page# 127)
9A	Intermediate Bearing Block Assembly (Page# 130-131)
10	2440 "V" Belt (Page# 135)
11	Crank Arm Assembly (Page# 83-84)
12	Drive Arm Support Assembly (Page# 97-98)
13	Drive Arm Assembly (Page# 73-76)
14	Drive Shoe Assembly (Page# 84)

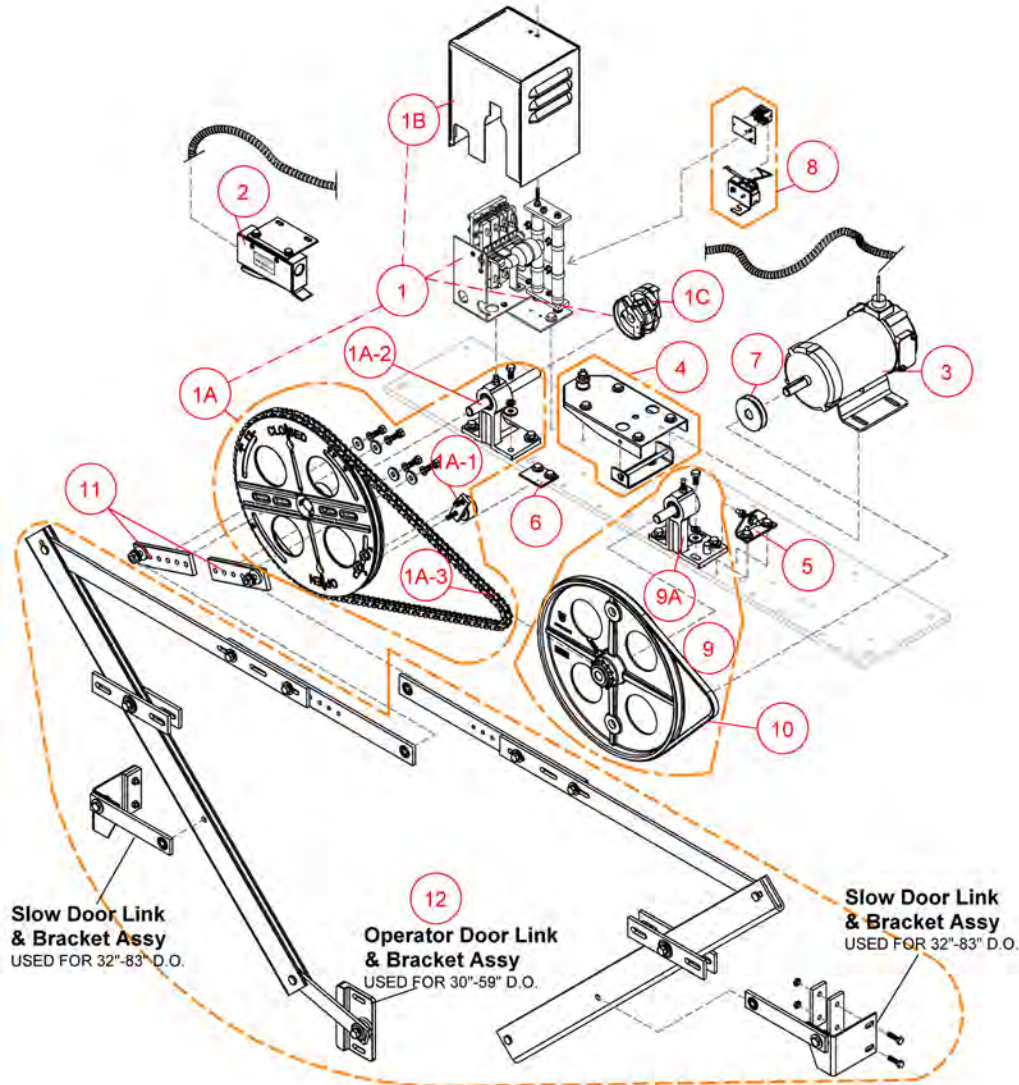
Mounting hardware included with this operator assembly (Page# 139)

DOOR EQUIPMENT

Operator Isometric Drawing

MODL Operator

Center Parting 30"-59" D.O./Two Speed Center Parting 30"-59" D.O.



Item No	Description
1	MOD Limit Control Assembly (Page# 105)
1A	MOD Drive Pulley & Bearing Assemblies (Page# 125-126)
1A-1	Stop Roller Assembly (Page# 134)
1A-2	Drive Bearing Block Assembly (Page# 130-131)
1A-3	Drive Pulley Chain (Page# 136)
1B	Limit Control Box Cover (See 107-108)
1C	Limit Control Cam Set (Page# 110)
2	Gate Switch Assembly (Page# 407)
3	1/6 HP 230 VDC PM Motor (Page# 102-103)
4	Motor Base Assembly (Page# 104)

Item No	Description
5	Bearing Block Adjustable Angle (Page# 131)
6	Stop Roller Plate (Page# 134)
7	Motor Pulley (Page# 128-130)
8	Microswitch Kit (Page# 115-116)
9	Intermediate Pulley & Bearing Block Assemblies (Page# 127)
9A	Intermediate Bearing Block Assembly (Page# 130-131)
10	2450 "V" Belt (Page# 135)
11	Crank Arm Assembly (Page# 83-84)
12	Drive Arm Assembly (Page# 78-79)

Mounting hardware included with this operator assembly (Page# 139)

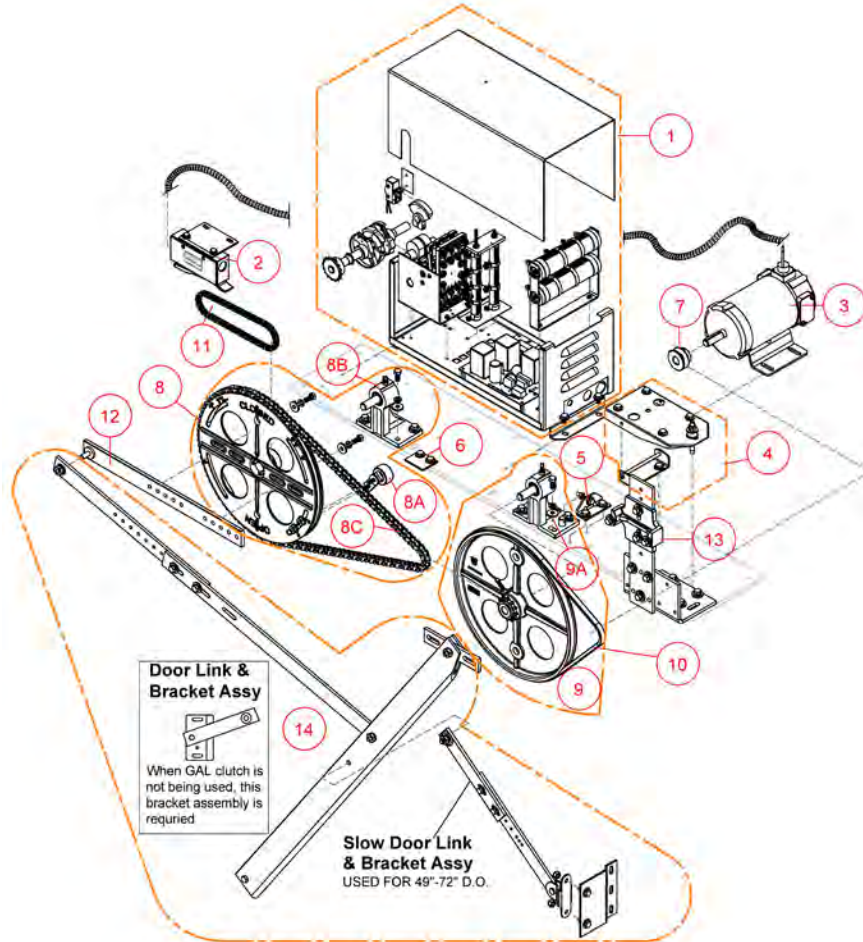
DOOR EQUIPMENT

Operator Isometric Drawing

MODCTL Operator

Operator
Assemblies

Single Speed 22"-48" D.O./Two Speed 30"-72" D.O.



LEFT HAND SHOWN
RIGHT HAND OPPOSITE

WHEN ORDERING ASSY'S OR
PARTS ADVISE TYPE OF DOOR,
OPENING SIZE AND HAND

Item No	Description
1	Limit Control Assembly (Page# 105)
2	Gate Switch Assembly (Page# 407)
3	1/6 HP 230 VDC PM Motor (Page# 102-103)
4	Motor Base Assembly (Page# 104)
5	Bearing Block Adjustable Angle (Page# 131)
6	Stop Roller Plate (Page# 134)
7	Motor Pulley (Page# 128-130)
8	Drive Pulley & Bearing Block Assemblies (Page# 125-126)
8A	Stop Roller Assembly (Page# 134)

Item No	Description
8B	Drive Bearing Block Assembly (Page# 130-131)
8C	Drive Pulley Chain (Page# 136)
9	Intermediate Pulley & Bearing Block Assemblies (Page# 127)
9A	Intermediate Bearing Block Assembly (Page# 130-131)
10	2440 "V" Belt (Page# 135)
11	Cam Drive Chain (Page# 136)
12	Crank Arm Assembly (Page# 83-84)
13	Drive Arm Support Assembly (Page# 97-98)
14	Drive Arm Assembly (Page# 73-76)

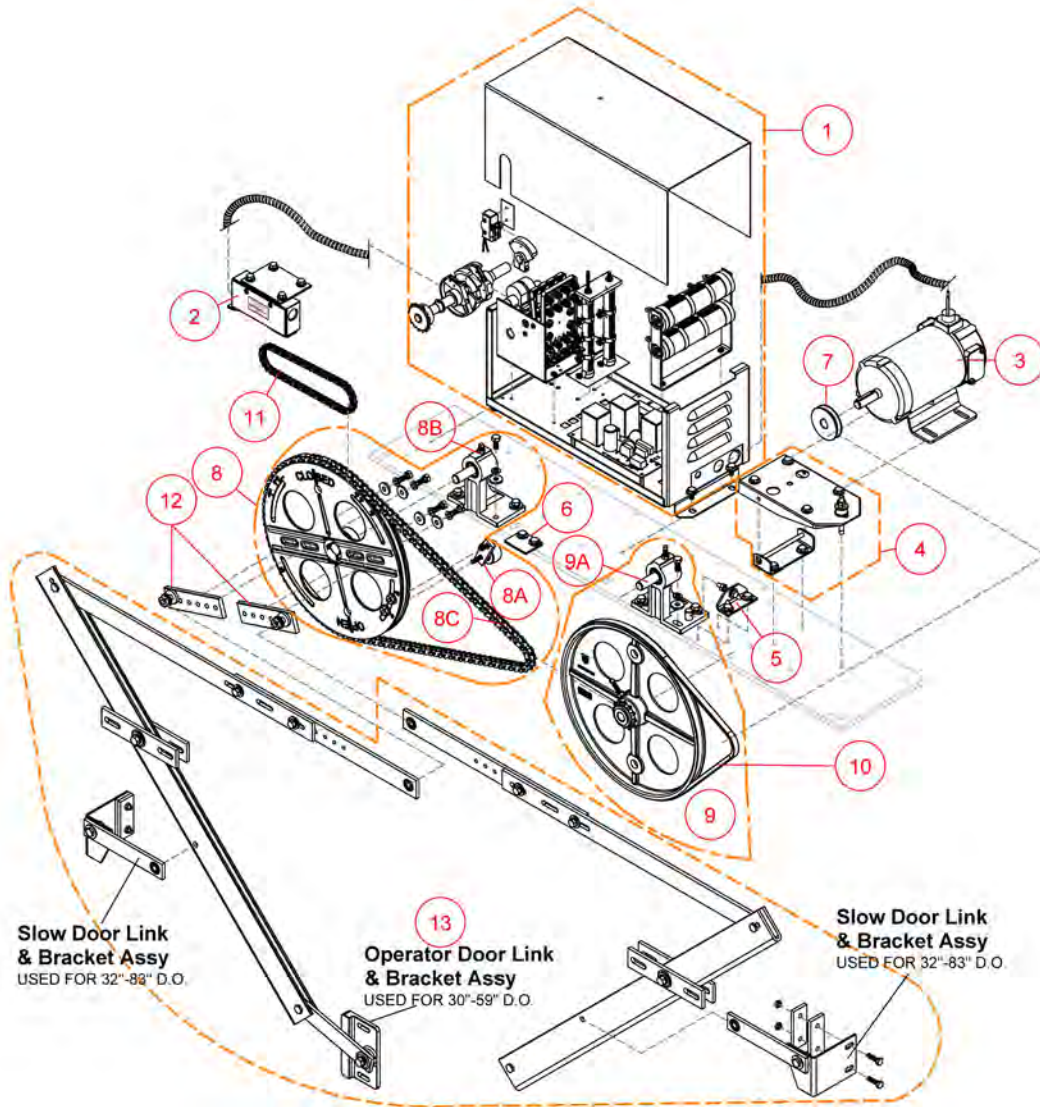
Mounting hardware included with this operator assembly (Page# 139)

DOOR EQUIPMENT

Operator Isometric Drawing

MODCTL Operator

Center Parting 30"-59" D.O./Two Speed Center Parting 30"-59" D.O.



Item No	Description
1	Limit Control Assembly (Page# 105)
2	Gate Switch Assembly (Page# 407)
3	1/6 HP 230 VDC PM Motor (Page# 102-103)
4	Motor Base Assembly (Page# 104)
5	Bearing Block Adjustable Angle (Page# 131)
6	Stop Roller Plate (Page# 134)
7	Motor Pulley (Page# 128-130)
8	Drive Pulley & Bearing Block Assemblies (Page# 125-126)
8A	Stop Roller Assembly (Page# 134)

Item No	Description
8B	Drive Bearing Block Assembly (Page# 130-131)
8C	Drive Pulley Chain (Page# 136)
9	Intermediate Pulley & Bearing Block Assemblies (Page# 127)
9A	Intermediate Bearing Block Assembly (Page# 130-131)
10	2450 "V" Belt (Page# 135)
11	Cam Drive Chain See page 136)
12	Crank Arm Assembly (Page# 83-84)
13	Drive Arm Assembly (Page# 78-79)

Mounting hardware included with this operator assembly (Page# 139)

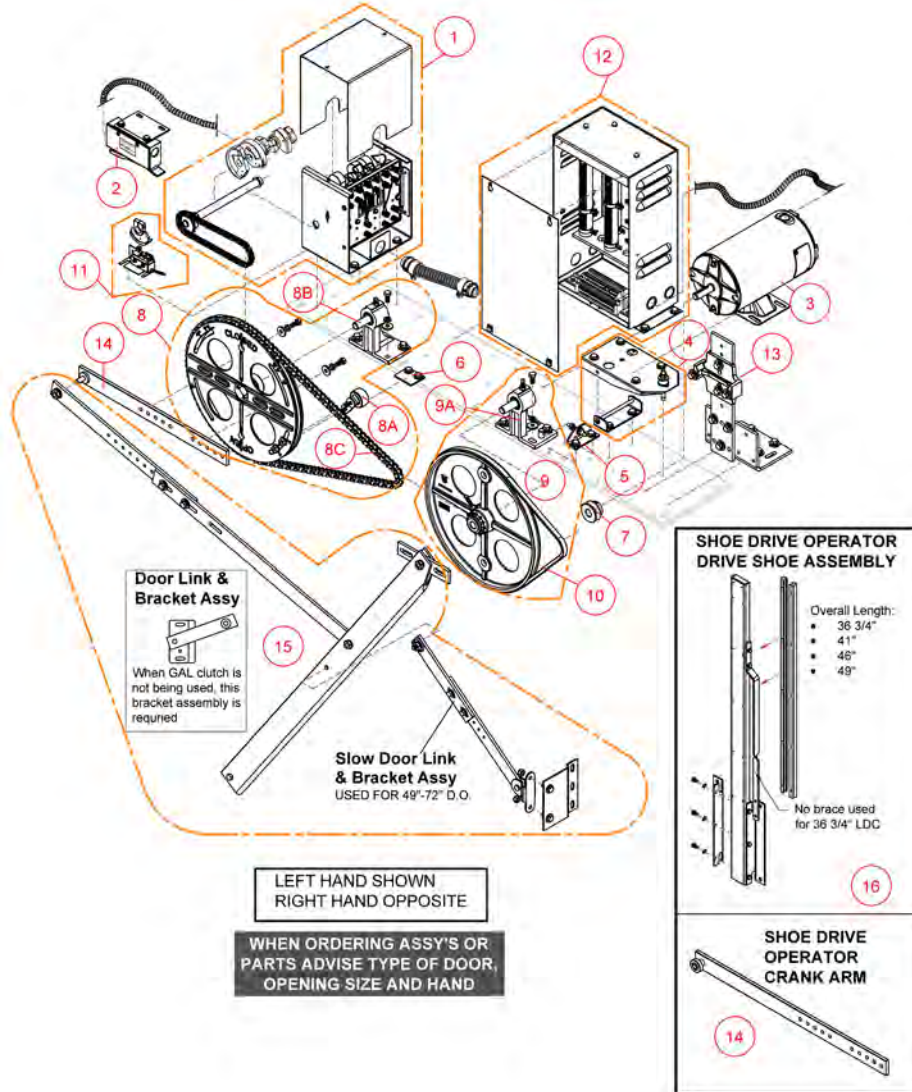
DOOR EQUIPMENT

Operator Isometric Drawing

MOHL/MOML Operator

Operator
Assemblies

Single Speed 22"-48" D.O./Two Speed 30"-59" D.O.



Item No	Description
1	MOH/MOM Limit Control Assembly (Page# 104)
2	Gate Switch Assembly (Page# 407)
3	1/2 HP 230 VDC PM Motor (Page# 102-103)
4	Motor Base Assembly (Page# 104)
5	Bearing Block Adjustable Angle (Page# 131)
6	Stop Roller Plate (Page# 134)
7	Motor Pulley (Page# 128-130)
8	Drive Pulley & Bearing Block Assemblies (Page# 125-126)
8A	Stop Roller Assembly (Page# 134)
8B	Drive Bearing Block Assembly (Page# 130-131)

Item No	Description
8C	Drive Pulley Chain (Page# 136)
9	Intermediate Pulley & Bearing Block Assemblies (Page# 127)
9A	Intermediate Bearing Block Assembly (Page# 130-131)
10	2440 "V" Belt (Page# 83-84)
11	Microswitch Kit (Page# 115-116)
12	Resistor & Terminal Box Assembly (Page# 121)
13	Crank Arm Assembly (Page# 83-84)
14	Drive Arm Support Assembly (Page# 97-98)
15	Drive Arm Assembly (Page# 73-76)
16	Drive Shoe Assembly (Page# 84)

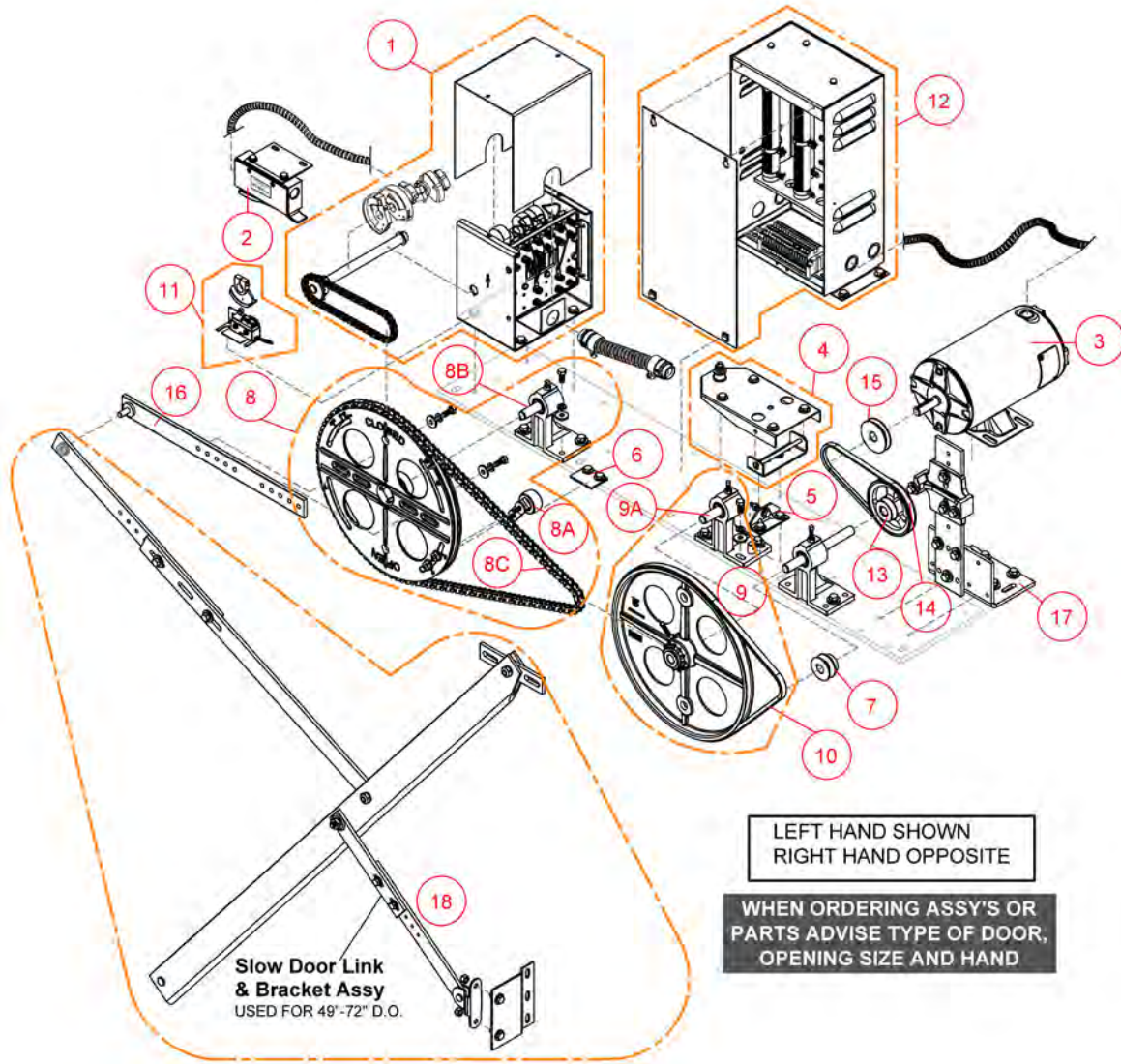
Mounting hardware included with this operator assembly (Page# 139)

DOOR EQUIPMENT

Operator Isometric Drawing

MOHL/MOML Operator

Two Speed 60"-72" D.O.



Item No	Description
1	MOH/MOM Limit Control Assembly (Page# 104)
2	Gate Switch Assembly (Page# 407)
3	1/2 HP 230 VDC PM Motor (Page# 102-103)
4	Motor Base Assembly (Page# 104)
5	Bearing Block Adjustable Angle (Page# 131)
6	Stop Roller Plate (Page# 134)
7	Motor Pulley (Page# 128-130)
8	Drive Pulley & Bearing Block Assemblies (Page# 125-126)
8A	Stop Roller Assembly (Page# 134)
8B	Drive Bearing Block Assembly (Page# 130-131)
8C	Drive Pulley Chain (Page# 136)

Item No	Description
9	Intermediate Pulley & Bearing Block Assemblies (Page# 127)
9A	Intermediate Bearing Block Assembly (Page# 130-131)
10	2440 "V" Belt (Page# 83-84)
11	Microswitch Kit (Page# 115-116)
12	Resistor & Terminal Box Assembly (Page# 121)
13	Reduction Pulley (Page# 130-131)
14	Reduction Belt (Page# 135)
15	Motor Pulley (Page# 128-130)
16	Crank Arm Assembly (Page# 83-84)
17	Drive Arm Support Assembly (Page# 97-98)
18	Drive Arm Assembly (Page# 73-76)

Mounting hardware included with this operator assembly (Page# 139)

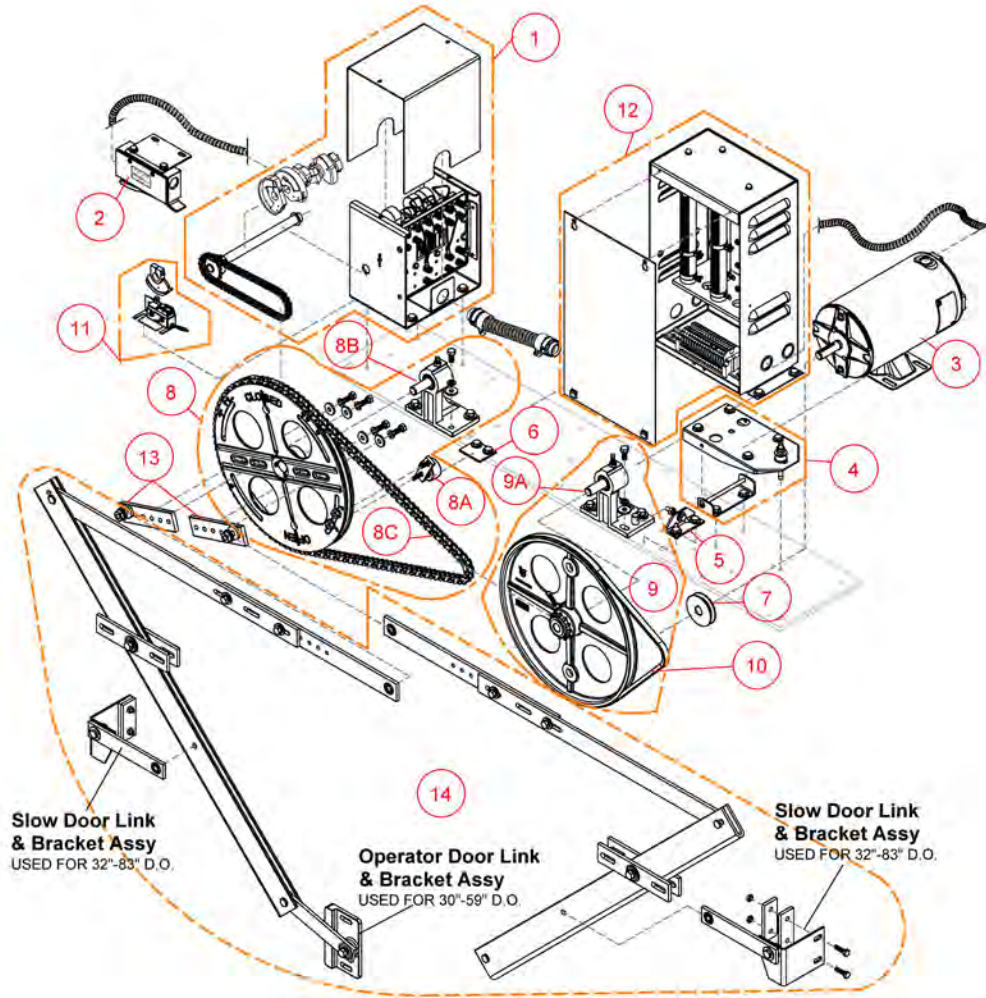
DOOR EQUIPMENT

Operator Isometric Drawing

MOHL/MOML Operator

Operator Assemblies

Center Parting 30"-59" D.O./Two Speed Center Parting 30"-83" D.O.



Item No	Description
1	MOH/MOM Limit Control Assembly (Page# 104)
2	Gate Switch Assembly (Page# 407)
3	1/2 HP 230 VDC PM Motor (Page# 102-103)
4	Motor Base Assembly (Page# 104)
5	Bearing Block Adjustable Angle (Page# 131)
6	Stop Roller Plate (Page# 134)
7	Motor Pulley (Page# 128-130)
8	Drive Pulley & Bearing Block Assemblies (Page# 125-126)
8A	Stop Roller Assembly (Page# 134)

Item No	Description
8B	Drive Bearing Block Assembly (Page# 130-131)
8C	Drive Pulley Chain (Page# 136)
9	Intermediate Pulley & Bearing Block Assemblies (Page# 127)
9A	Intermediate Bearing Block Assembly (Page# 130-131)
10	2450 "V" Belt (Page# 135)
11	Microswitch Kit (Page# 115-116)
12	Resistor & Terminal Box Assembly (Page# 121)
13	Crank Arm Assembly (Page# 83-84)
14	Drive Arm Assembly (Page# 78-79)

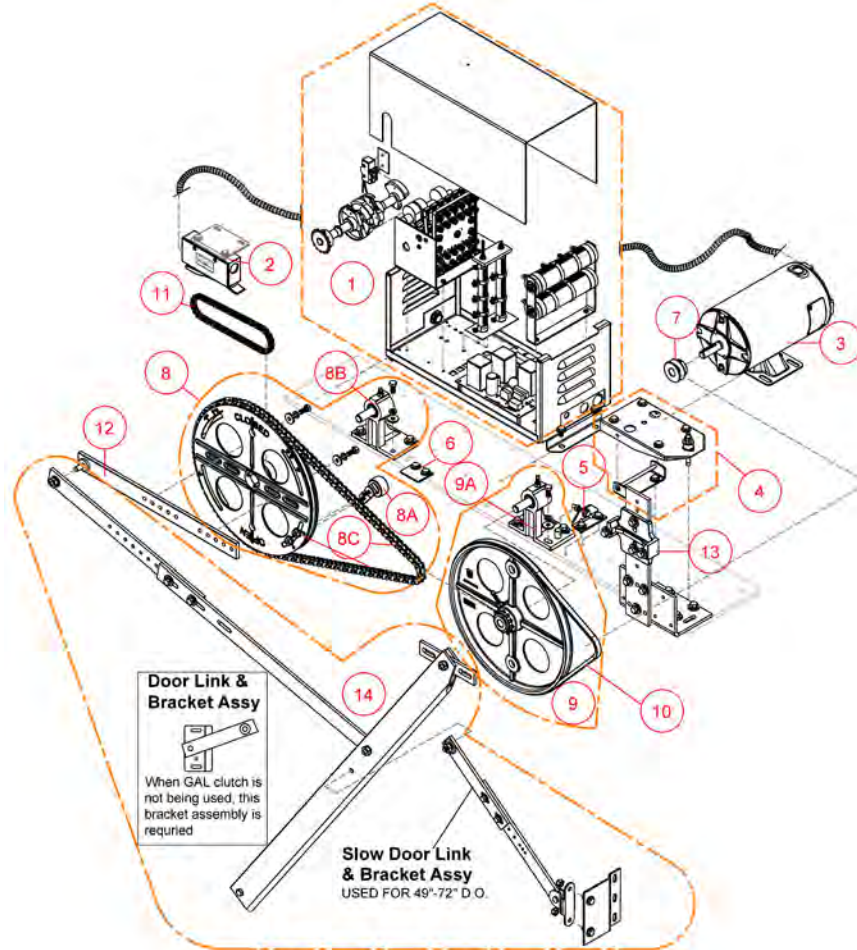
Mounting hardware included with this operator assembly (Page# 139)

DOOR EQUIPMENT

Operator Isometric Drawing

MOHCTL Operator

Single Speed 22"-48" D.O./Two Speed 30"-72" D.O.



LEFT HAND SHOWN
RIGHT HAND OPPOSITE

WHEN ORDERING ASSY'S OR
PARTS ADVISE TYPE OF DOOR,
OPENING SIZE AND HAND

Item No	Description
1	Limit Control Assembly (Page# 105)
2	Gate Switch Assembly (Page# 407)
3	1/2 HP 230 VDC PM Motor (Page# 102-103)
4	Motor Base Assembly (Page# 104)
5	Bearing Block Adjustable Angle (Page# 131)
6	Stop Roller Plate (Page# 134)
7	Motor Pulley (Page# 128-130)
8	Drive Pulley & Bearing Block Assemblies (Page# 125-126)
8A	Stop Roller Assembly (Page# 134)

Item No	Description
8B	Drive Bearing Block Assembly (Page# 130-131)
8C	Drive Pulley Chain (Page# 136)
9	Intermediate Pulley & Bearing Block Assemblies (Page# 127)
9A	Intermediate Bearing Block Assembly (Page# 130-131)
10	2440 "V" Belt (Page# 135)
11	Cam Drive Chain (Page# 136)
12	Crank Arm Assembly (Page# 83-84)
13	Drive Arm Support Assembly (Page# 97-98)
14	Drive Arm Assembly (Page# 73-76)

Mounting hardware included with this operator assembly (Page# 139)

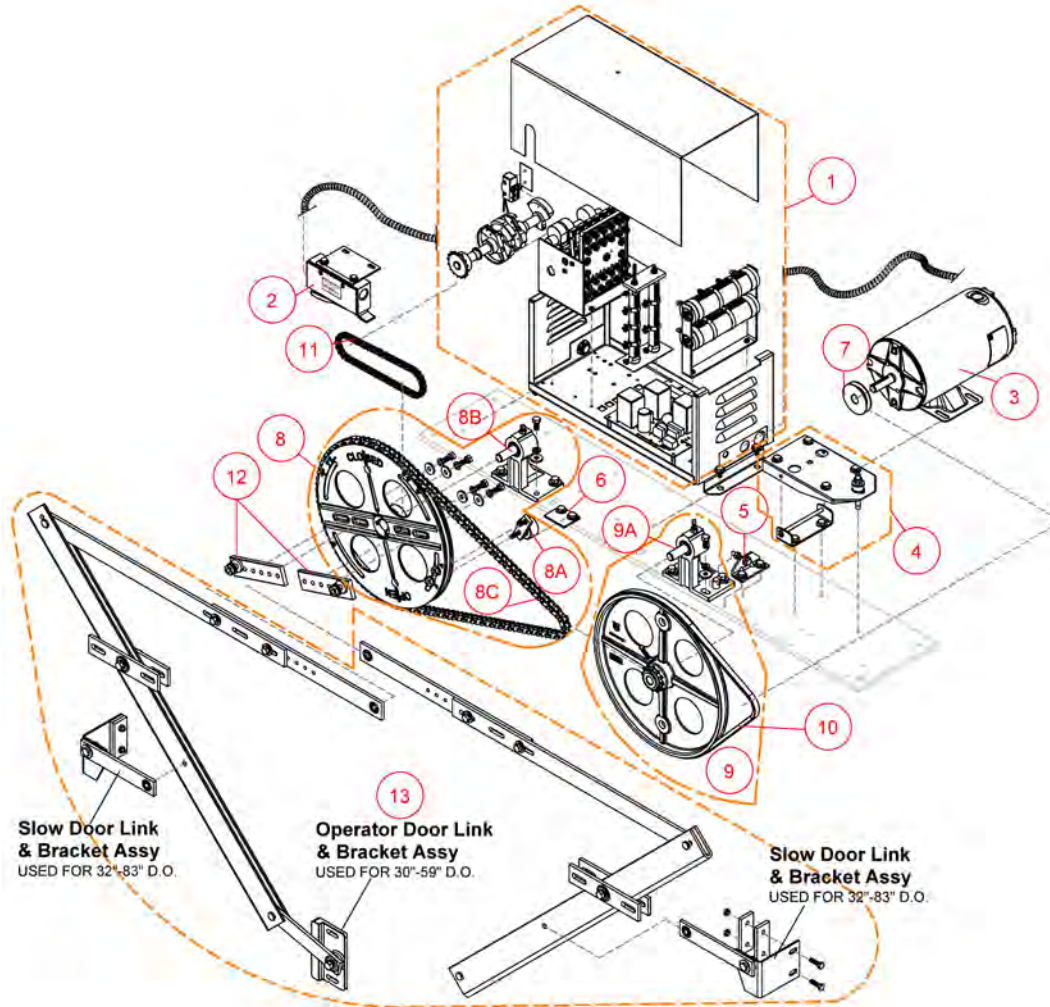
DOOR EQUIPMENT

Operator Isometric Drawing

MOHCTL Operator

Operator Assemblies

Center Parting 30"-59" D.O./Two Speed Center Parting 30"-59" D.O.



Slow Door Link & Bracket Assy
USED FOR 32"-83" D.O.

Operator Door Link & Bracket Assy
USED FOR 30"-59" D.O.

Slow Door Link & Bracket Assy
USED FOR 32"-83" D.O.

Item No	Description
1	Limit Control Assembly (Page# 105)
2	Gate Switch Assembly (Page# 407)
3	1/2 HP 230 VDC PM Motor (Page# 102-103)
4	Motor Base Assembly (Page# 104)
5	Bearing Block Adjustable Angle (Page# 131)
6	Stop Roller Plate (Page# 134)
7	Motor Pulley (Page# 128-130)
8	Drive Pulley & Bearing Block Assemblies (Page# 125-126)
8A	Stop Roller Assembly (Page# 134)

Item No	Description
8B	Drive Bearing Block Assembly (Page# 130-131)
8C	Drive Pulley Chain (Page# 136)
9	Intermediate Pulley & Bearing Block Assemblies (Page# 127)
9A	Intermediate Bearing Block Assembly (Page# 130-131)
10	2450 "V" Belt (Page# 135)
11	Cam Drive Chain (Page# 136)
12	Crank Arm Assembly (Page# 83-84)
13	Drive Arm Assembly (Page# 78-79)

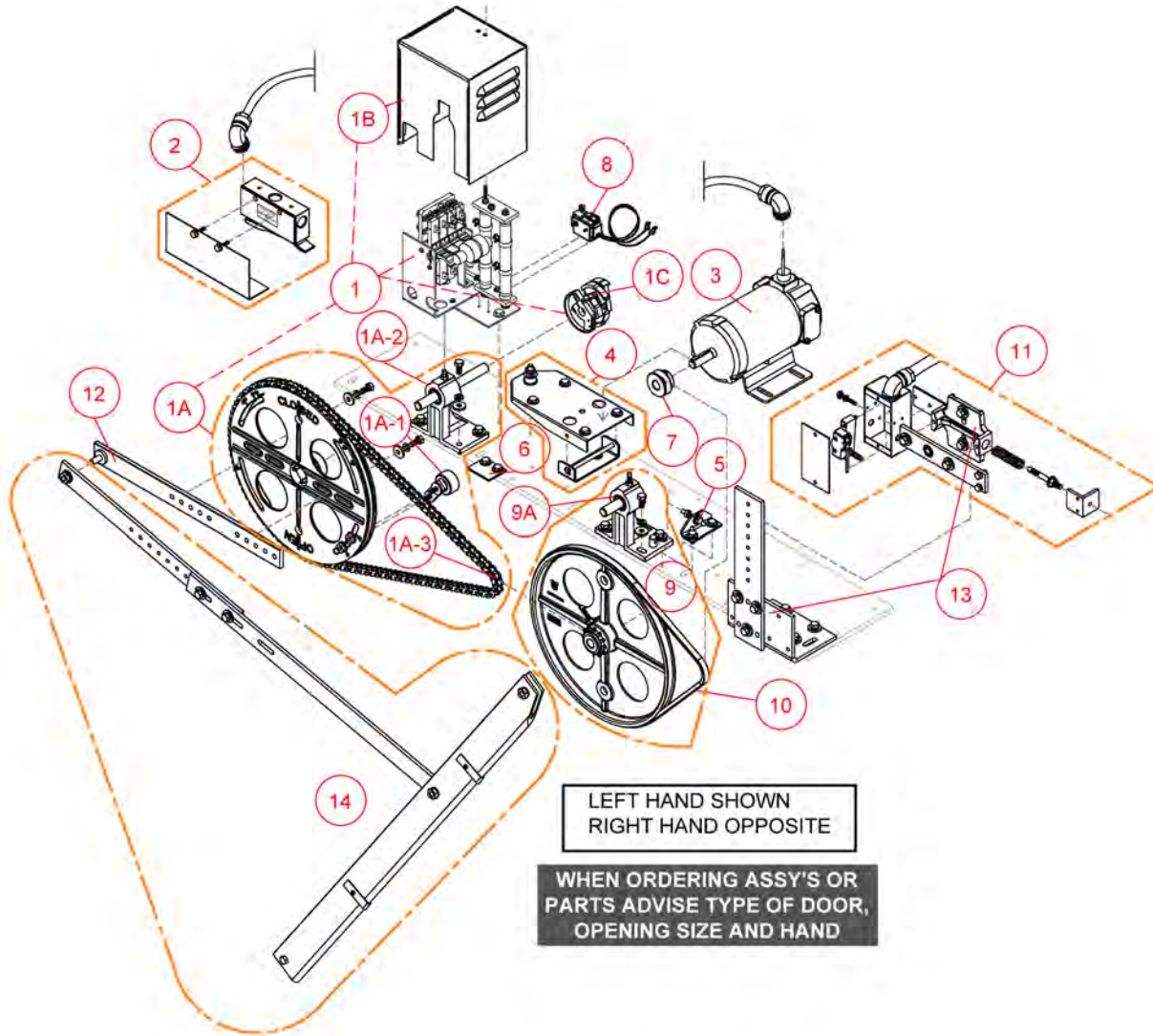
Mounting hardware included with this operator assembly (Page# 139)

DOOR EQUIPMENT

Operator Isometric Drawing

MODLNYC Operator

Single Speed 30"-42" D.O./Two Speed 30"-42" D.O.



Item No	Description
1	MOD Limit Control Assembly (Page# 106)
1A	MOD Drive Pulley & Bearing Assemblies (Page# 125-126)
1A-1	Stop Roller Assembly (Page# 134)
1A-2	Drive Bearing Block Assembly (Page# 130-131)
1A-3	Drive Pulley Chain (Page# 136)
1B	Limit Control Box Cover (Page# 107-108)
1C	Limit Control Cam Set (Page# 110)
2	Gate Switch Assembly (Page# 407)
3	1/6 HP 230 VDC PM Motor (Page# 102-103)
4	Motor Base Assembly (Page# 104)
5	Bearing Block Adjustable Angle (Page# 131)

Item No	Description
6	Stop Roller Plate (Page# 134)
7	Motor Pulley (Page# 128-130)
8	Microswitch Kit (Page# 115-116)
9	Intermediate Pulley & Bearing Block Assemblies (Page# 127)
9A	Intermediate Bearing Block Assembly (Page# 130-131)
10	2440 "V" Belt (Page# 135)
11	Reversing Device Assembly (Page# 95)
12	Crank Arm Assembly (Page# 83-84)
13	Drive Arm Support Assembly (Page# 97-98)
14	Drive Arm Assembly (Page# 84)

Mounting hardware included with this operator assembly (Page# 139)

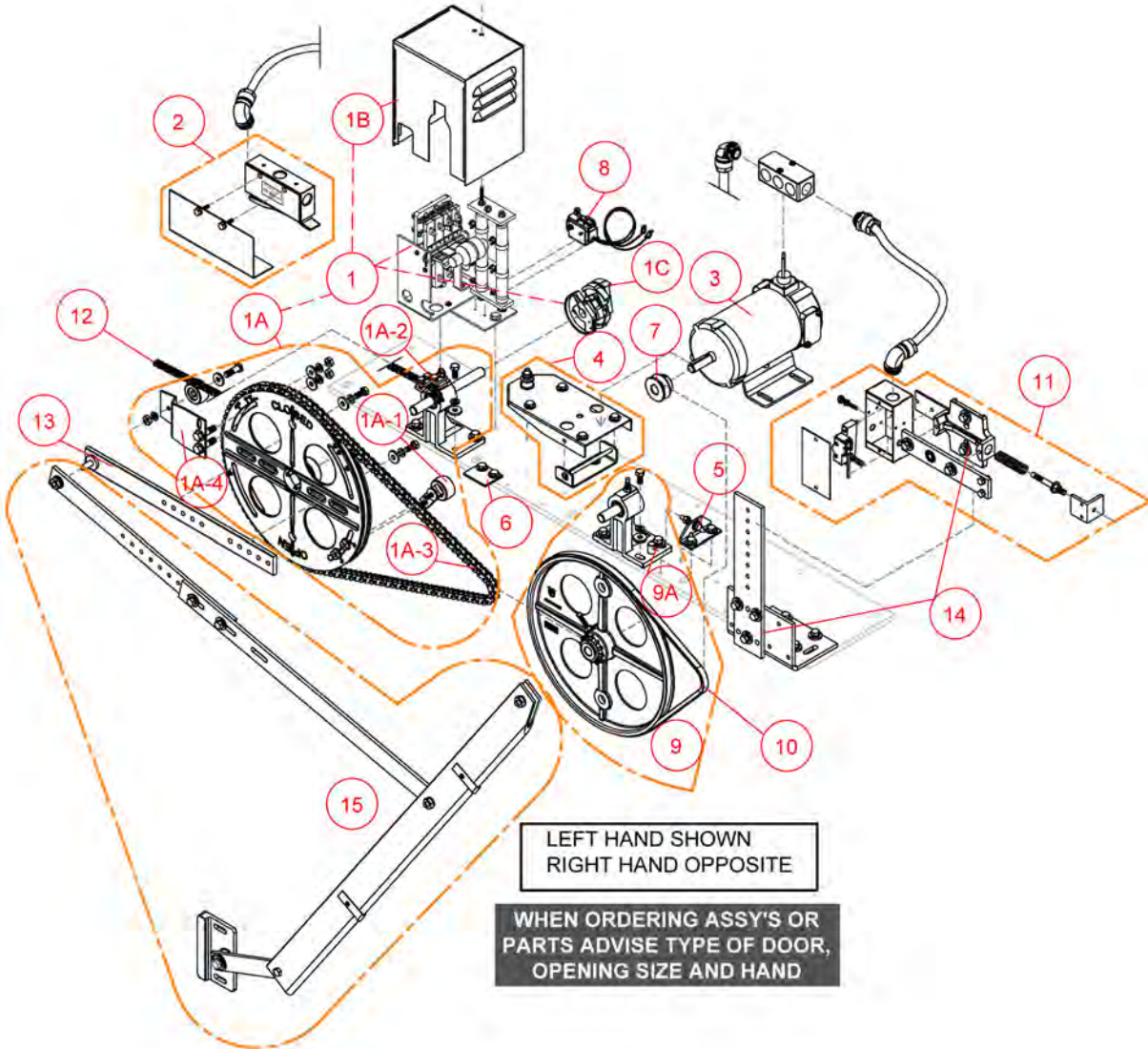
DOOR EQUIPMENT

Operator Isometric Drawing

MODPLNYC Operator

Operator
Assemblies

Single Speed 30"-42" D.O./Two Speed 30"-42" D.O.



Item No	Description
1	MOD Limit Control Assembly (Page# 106)
1A	MOD Drive Pulley & Bearing Assemblies (Page# 125-126)
1A-1	Stop Roller Assembly (Page# 134)
1A-2	Drive Bearing Block Assembly (Page# 130-131)
1A-3	Drive Pulley Chain (Page# 130-131)
1A-4	Retiring Cam Pick-Up Roller Assembly (Page# 135)
1B	Limit Control Box Cover (Page# 107-108)
1C	Limit Control Cam Set (Page# 110)
2	Gate Switch Assembly (Page# 407)
3	1/6 HP 230 VDC PM Motor (Page# 102-103)
4	Motor Base Assembly (Page# 131)
5	Bearing Block Adjustable Angle (Page# 131)

Item No	Description
6	Stop Roller Plate (Page# 134)
7	Motor Pulley (Page# 128-130)
8	Microswitch Kit (Page# 115-116)
9	Intermediate Pulley & Bearing Block Assemblies (Page# 127)
9A	Intermediate Bearing Block Assembly (Page# 130-131)
10	2440 "V" Belt (Page# 135)
11	Reversing Device Assembly (Page# 95)
12	Chain & Cable
13	Crank Arm Assembly (Page# 83-84)
14	Drive Arm Support Assembly (Page# 97-98)
15	Drive Arm Assembly (Page# 84)

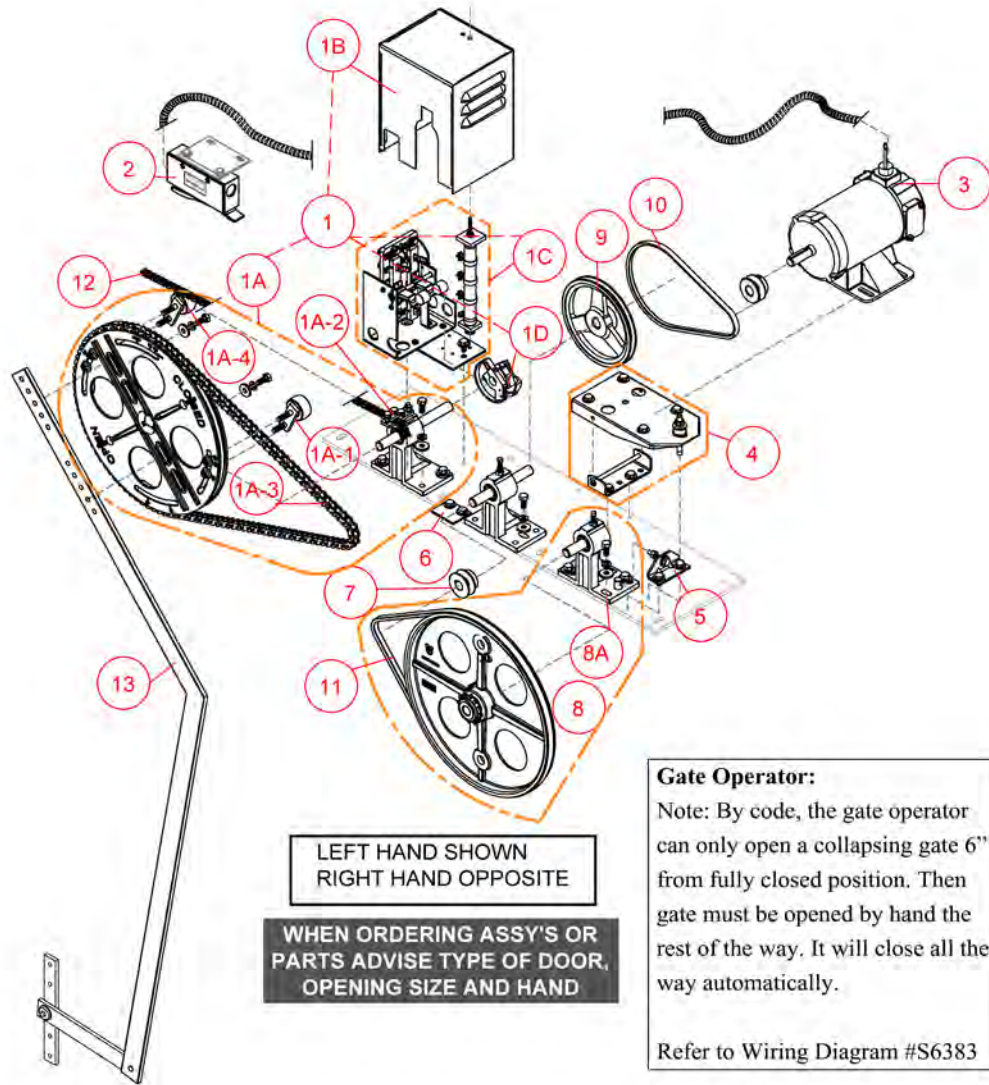
Mounting hardware included with this operator assembly (Page# 139)

DOOR EQUIPMENT

Operator Isometric Drawing

MODG (Gate) Operator

Single Speed 26"-30" D.O./Two Speed 26"-30" D.O.



LEFT HAND SHOWN
RIGHT HAND OPPOSITE

WHEN ORDERING ASSY'S OR
PARTS ADVISE TYPE OF DOOR,
OPENING SIZE AND HAND

Gate Operator:
Note: By code, the gate operator can only open a collapsing gate 6" from fully closed position. Then gate must be opened by hand the rest of the way. It will close all the rest of the way automatically.

Refer to Wiring Diagram #S6383

Item No	Description
1	MOD Limit Control Assembly
1A	MOD Drive Pulley & Bearing Assemblies (Page# 125-126)
1A-1	Stop Roller Assembly (Page# 134)
1A-2	Drive Bearing Block Assembly (Page# 130-131)
1A-3	Drive Pulley Chain (Page# 130-131)
1A-4	Retiring Cam Pick-Up Roller Assembly (Page# 135)
1B	Limit Control Box Cover (Page# 107-108)
1C	Limit Switch Assembly
1D	Limit Control Cam Set (Page# 110)
2	Gate Switch Assembly (Page# 407)
3	1/6 HP 230 VDC PM Motor (Page# 102-103)

Item No	Description
4	Motor Base Assembly (Page# 131)
5	Bearing Block Adjustable Angle (Page# 131)
6	Stop Roller Plate (Page# 134)
7	Motor Pulley (Page# 128-130)
8	Intermediate Pulley & Bearing Block Assemblies (Page# 127)
8A	Intermediate Bearing Block Assembly (Page# 130-131)
9	Reduction Pulley (Page# 129-130)
10	Reduction Belt (Page# 135)
11	2440 "V" Belt (Page# 135)
12	Chain & Cable
13	Crank Arm Assembly

Mounting hardware included with this operator assembly (Page# 139)

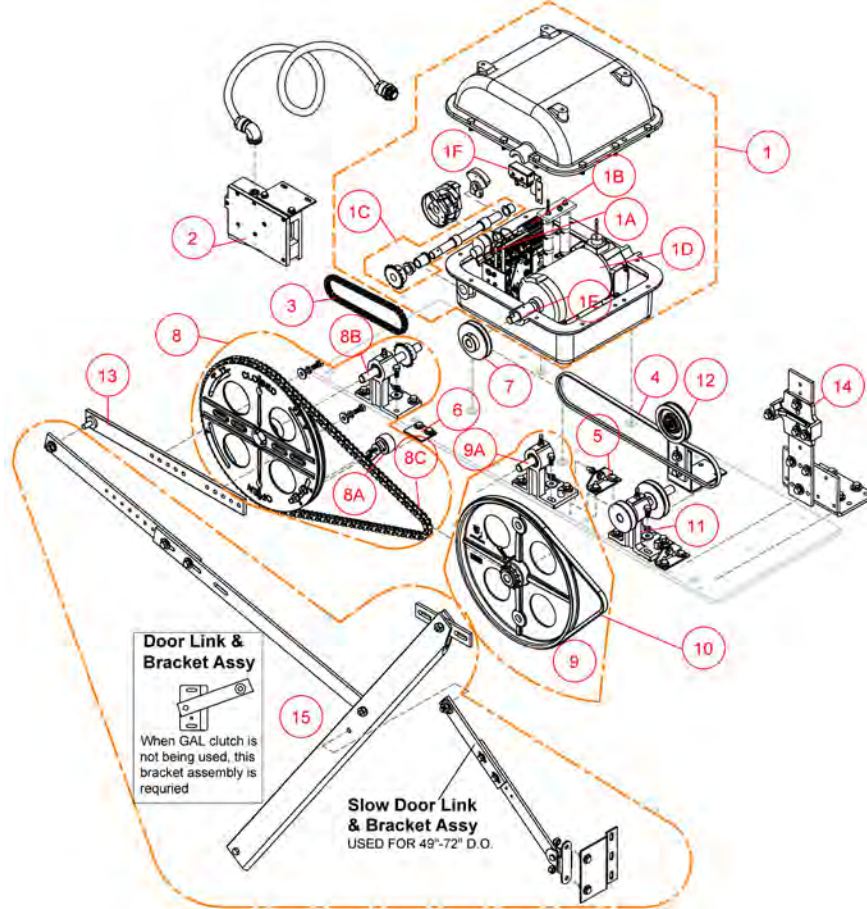
DOOR EQUIPMENT

Operator Isometric Drawing

MOXL Operator

Operator Assemblies

Single Speed 22"-48" D.O./Two Speed 30"-72" D.O.



LEFT HAND SHOWN
RIGHT HAND OPPOSITE

WHEN ORDERING ASSY'S OR PARTS ADVISE TYPE OF DOOR, OPENING SIZE AND HAND

Item No	Description
1	MOXL Limit Control Assembly (Page# 106)
1A	Limit Switch Assembly (Page# 108)
1B	Terminal Block Assembly (Page# 119)
1C	Sprocket & Shaft Kit (Page# 132-133)
1D	1/2 HP 230 VDC PM Motor (Page# 102-103)
1E	Motor Coupling Kit (Page# 107)
1F	Microswitch Kit (Page# 115-116)
2	Gate Switch Assembly (Page# 409)
3	Cam Drive Chain (Page# 136)
4	Reduction Belt (Page# 135)
5	Bearing Block Adjustable Angle (Page# 131)
6	Stop Roller Plate (Page# 134)
7	Motor Pulley (Page# 128-130)

Item No	Description
8	MOD Drive Pulley & Bearing Assemblies (Page# 125-126)
8A	Stop Roller Assembly (Page# 134)
8B	Drive Bearing Block Assembly (Page# 130-131)
8C	Drive Pulley Chain (Page# 136)
9	Intermediate Pulley & Bearing Block Assemblies (Page# 127)
9A	Intermediate Bearing Block Assembly (Page# 130-131)
10	2440 "V" Belt (Page# 135)
11	Idler Pulley Bearing Block Assembly (Page# 131)
12	Tensioner Assembly (Page# 131)
13	Crank Arm Assembly (Page# 83-84)
14	Drive Arm Support Assembly (Page# 97-98)
15	Drive Arm Assembly (Page# 83-84)

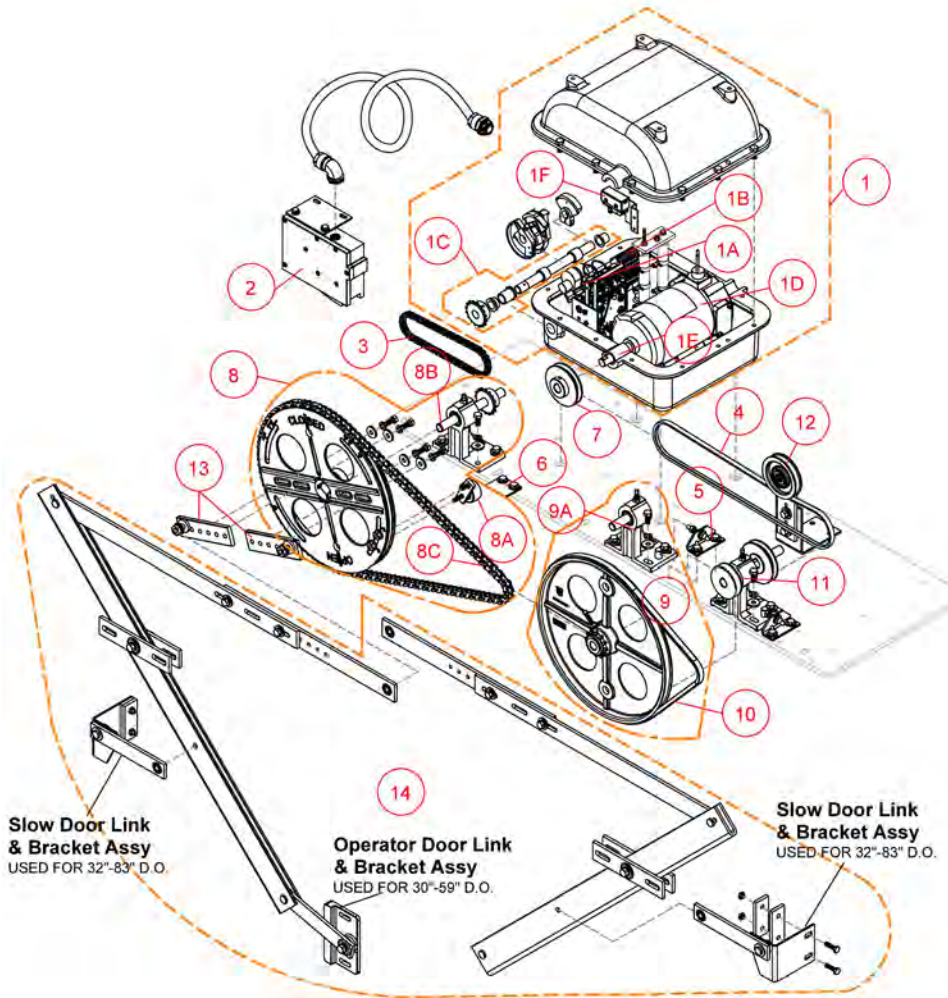
Mounting hardware included with this operator assembly (Page# 139)

DOOR EQUIPMENT

Operator Isometric Drawing

MOXL Operator

Center Parting 30"-59" D.O./Two Speed Center Parting 32"-72" D.O.



Item No	Description
1	MOXL Limit Control Assembly (Page# 106)
1A	Limit Switch Assembly (Page# 108)
1B	Terminal Block Assembly (Page# 119)
1C	Sprocket & Shaft Kit (Page# 132-133)
1D	1/2 HP 230 VDC PM Motor (Page# 102-103)
1E	Motor Coupling Kit (Page# 107)
1F	Microswitch Kit (Page# 115-116)
2	Gate Switch Assembly (Page# 409)
3	Cam Drive Chain (Page# 136)
4	Reduction Belt (Page# 135)
5	Bearing Block Adjustable Angle (Page# 131)
6	Stop Roller Plate (Page# 134)

Item No	Description
7	Motor Pulley (Page# 128-130)
8	MOD Drive Pulley & Bearing Assemblies (Page# 125-126)
8A	Stop Roller Assembly (Page# 134)
8B	Drive Bearing Block Assembly (Page# 130-131)
8C	Drive Pulley Chain (Page# 136)
9	Intermediate Pulley & Bearing Block Assemblies (Page# 127)
9A	Intermediate Bearing Block Assembly (Page# 130-131)
10	2450 "V" Belt (Page# 135)
11	Idler Pulley Bearing Block Assembly (Page# 131)
12	Tensioner Assembly (Page# 131)
13	Crank Arm Assembly (Page# 83-84)
14	Drive Arm Assembly (Page# 78-79)

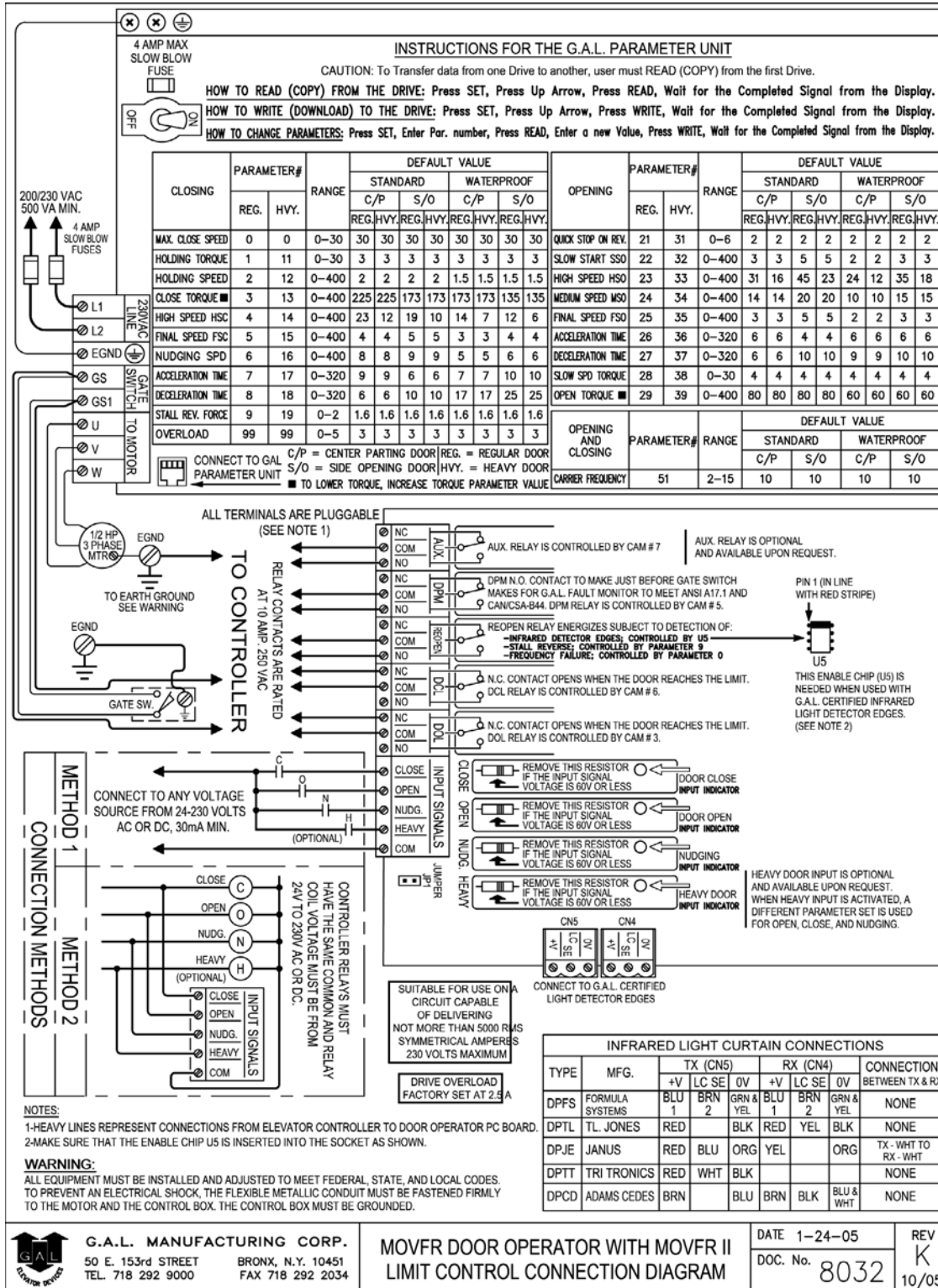
Mounting hardware included with this operator assembly (Page# 139)

DOOR EQUIPMENT

Operator Assemblies

MOVFR II - Wiring Diagram

Operator Assemblies

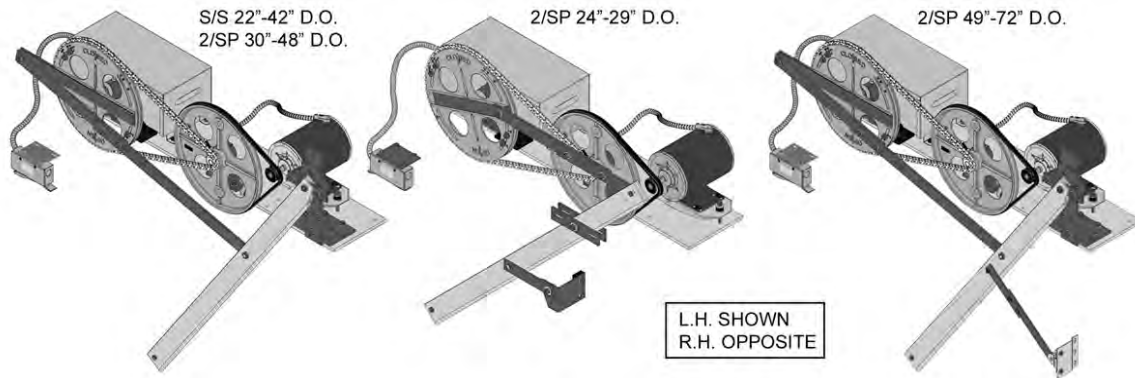


DOOR EQUIPMENT

Operator Assemblies

MOVFR II - Conventional

Single & Two Speed



- “MOVFR II” operator includes: door drive arm, nudging & gate switch
- Basic operator requires (4-6) wires excluding door limits, gate switch, fault monitor micro-switch and re-opening circuit
- Refer to wiring diagram 8032 for connections
- Mounting hardware Part No. OP2-0050N

Special Note:

- Gate switch **(extra charge)**
- Parameter unit **(extra charge)**

Features:

- **Door Control** with built-in diagnostics
- **Optional ‘heavy door’ input**
- **Plug & Play Door Protection**
- **Closed Loop** regulated speed via motor performance feedback
- **Keypad Programming** allows complete control for all speeds, torques, acceleration, and deceleration
- **LED indication** of all inputs and outputs
- **Test Switches** for open, close, nudging and heavy door
- **Three Inputs supplied:** Door Open, Door Close and Nudging. Option available: Heavy Door
- **Universal Voltage Inputs** will accept 24 to 300 volts, AC or DC
- **Heavy Duty** 1/2 HP motor
- **Non Contact** optical couplers
- **Water Resistant** model available
- **Revised Box Design** affords more room for wiring
- **Drives Available:** 220 V.A.C. or 115 V.A.C. (Specify when ordering)

Single & Two Speed - 220 V.A.C. - Standard

13" Header Height

Part No.	S/S	2/SP	List Price
OP99-0001L/R	22"-24"		\$2,044.00
OP99-0002L/R	25"-29"		\$2,044.00
OP99-0003L/R	30"-34"	30"-34"	\$2,044.00
OP99-0004L/R	35"-39"	35"-39"	\$2,044.00
OP99-0005L/R	40"-44"	40"-44"	\$2,044.00
OP99-0006L/R	45"-48"	45"-48"	\$2,044.00

Part No.	S/S	2/SP	List Price
OP99-0007L/R		24"	\$2,044.00
OP99-0008L/R		25"	\$2,044.00
OP99-0009L/R		26"	\$2,044.00
OP99-0010L/R		27"	\$2,044.00
OP99-0011L/R		28"	\$2,044.00
OP99-0012L/R		29"	\$2,044.00

Single & Two Speed - 220 V.A.C. - High Cab

17" Header Height

Part No.	S/S	2/SP	List Price
OP99-0013L/R	30"-34"	30"-34"	\$2,100.00
OP99-0014L/R	35"-39"	35"-39"	\$2,100.00
OP99-0015L/R	40"-44"	40"-44"	\$2,100.00
OP99-0016L/R	45"-48"	45"-48"	\$2,100.00

21" Header Height

Part No.	S/S	2/SP	List Price
OP99-0017L/R	30"-34"	30"-34"	\$2,100.00
OP99-0018L/R	35"-39"	35"-39"	\$2,100.00
OP99-0019L/R	40"-44"	40"-44"	\$2,100.00
OP99-0020L/R	45"-48"	45"-48"	\$2,100.00

DOOR EQUIPMENT

Operator Assemblies

MOVFR II - Conventional

Operator
Assemblies

Single & Two Speed - 220 V.A.C. - High Cab

25" Header Height

Part No.	S/S	2/SP	List Price
OP99-0021L/R	30"-34"	30"-34"	\$2,100.00
OP99-0022L/R	35"-39"	35"-39"	\$2,100.00
OP99-0023L/R	40"-44"	40"-44"	\$2,100.00
OP99-0024L/R	45"-48"	45"-48"	\$2,100.00

29" Header Height

Part No.	S/S	2/SP	List Price
OP99-0025L/R	30"-34"	30"-34"	\$2,100.00
OP99-0026L/R	35"-39"	35"-39"	\$2,100.00
OP99-0027L/R	40"-44"	40"-44"	\$2,100.00
OP99-0028L/R	45"-48"	45"-48"	\$2,100.00

33" Header Height

Part No.	S/S	2/SP	List Price
OP99-0029L/R	30"-34"	30"-34"	\$2,100.00
OP99-0030L/R	35"-39"	35"-39"	\$2,100.00
OP99-0031L/R	40"-44"	40"-44"	\$2,100.00
OP99-0032L/R	45"-48"	45"-48"	\$2,100.00

37" Header Height

Part No.	S/S	2/SP	List Price
OP99-0033L/R	30"-34"	30"-34"	\$2,100.00
OP99-0034L/R	35"-39"	35"-39"	\$2,100.00
OP99-0035L/R	40"-44"	40"-44"	\$2,100.00
OP99-0036L/R	45"-48"	45"-48"	\$2,100.00

41" Header Height

Part No.	S/S	2/SP	List Price
OP99-0037L/R	30"-34"	30"-34"	\$2,100.00
OP99-0038L/R	35"-39"	35"-39"	\$2,100.00
OP99-0039L/R	40"-44"	40"-44"	\$2,100.00
OP99-0040L/R	45"-48"	45"-48"	\$2,100.00

Two Speed Large Opening - 220 V.A.C.

15" Header Height

Part No.	2/SP	List Price
OP102-0001L/R	49"-52"	\$2,044.00
OP102-0002L/R	53"-56"	\$2,044.00

17" Header Height

Part No.	2/SP	List Price
OP102-0003L/R	57"-60"	\$2,044.00
OP102-0004L/R	61"-64"	\$2,044.00

19" Header Height

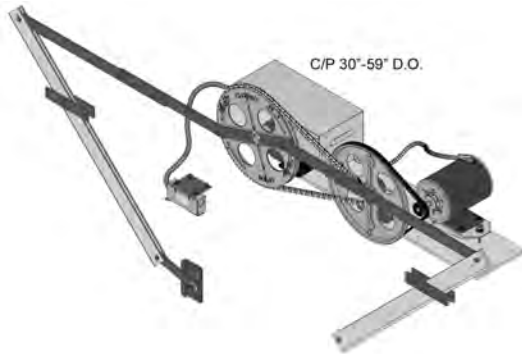
Part No.	2/SP	List Price
OP102-0005L/R	65"-68"	\$2,044.00
OP102-0006L/R	69"-72"	\$2,044.00

DOOR EQUIPMENT

Operator Assemblies

MOVFR II - Conventional

Center Parting



- “MOVFR II” operator includes: door drive arm, nudging & gate switch
- Basic operator requires (4-6) wires excluding door limits, gate switch, fault monitor micro-switch and re-opening circuit
- Refer to wiring diagram 8032 for connections
- Mounting hardware Part No. OP2-0050N

Special Note:

- Gate switch (**extra charge**)
- Parameter unit (**extra charge**)
- Drive arm pivot support brackets for C/P (Part No. OP25-0001N) or 2SP/CP (Part No. OP25-0002N) doors are sold separately

Features:

- **Door Control** with built-in diagnostics
- **Optional ‘heavy door’ input**
- **Plug & Play Door Protection**
- **Closed Loop** regulated speed via motor performance feedback
- **Keypad Programming** allows complete control for all speeds, torques, acceleration, and deceleration
- **LED indication** of all inputs and outputs
- **Test Switches** for open, close, nudging and heavy door
- **Three Inputs supplied:** Door Open, Door Close and Nudging. Option available: Heavy Door
- **Universal Voltage Inputs** will accept 24 to 300 volts, AC or DC
- **Heavy Duty** 1/2 HP motor
- **Non Contact** optical couplers
- **Water Resistant** model available
- **Revised Box Design** affords more room for wiring
- **Drives Available:** 220 V.A.C. or 115 V.A.C. (Specify when ordering)

Center Parting - 220 V.A.C. - Standard

15" Header Height

Part No.	C/P	List Price
OP100-0001N	30"-33"	\$2,148.00
OP100-0002N	34"-39"	\$2,148.00
OP100-0003N	40"-49"	\$2,148.00

17" Header Height

Part No.	C/P	List Price
OP100-0004N	50"-54"	\$2,148.00
OP100-0005N	55"-59"	\$2,148.00

Center Parting - 220 V.A.C. - High Cab

19" Header Height

Part No.	C/P	List Price
OP100-0006N	30"-33"	\$2,260.00
OP100-0007N	34"-39"	\$2,260.00
OP100-0008N	40"-44"	\$2,260.00
OP100-0009N	45"-49"	\$2,260.00
OP100-0010N	50"-54"	\$2,260.00

23" Header Height

Part No.	C/P	List Price
OP100-0011N	30"-33"	\$2,260.00
OP100-0012N	34"-39"	\$2,260.00
OP100-0013N	40"-44"	\$2,260.00
OP100-0014N	45"-49"	\$2,260.00
OP100-0015N	50"-54"	\$2,260.00

27" Header Height

Part No.	C/P	List Price
OP100-0016N	30"-33"	\$2,260.00
OP100-0017N	40"-44"	\$2,260.00
OP100-0018N	45"-49"	\$2,260.00
OP100-0019N	50"-54"	\$2,260.00

31" Header Height

Part No.	C/P	List Price
OP100-0020N	30"-33"	\$2,260.00
OP100-0021N	34"-39"	\$2,260.00
OP100-0022N	40"-44"	\$2,260.00
OP100-0023N	45"-49"	\$2,260.00
OP100-0024N	50"-54"	\$2,260.00

35" Header Height

Part No.	C/P	List Price
OP100-0025N	30"-33"	\$2,260.00
OP100-0026N	34"-39"	\$2,260.00
OP100-0027N	40"-44"	\$2,260.00
OP100-0028N	45"-49"	\$2,260.00
OP100-0029N	50"-54"	\$2,260.00

39" Header Height

Part No.	C/P	List Price
OP100-0030N	30"-33"	\$2,260.00
OP100-0031N	34"-39"	\$2,260.00
OP100-0032N	40"-44"	\$2,260.00
OP100-0033N	45"-49"	\$2,260.00
OP100-0034N	50"-54"	\$2,260.00

DOOR EQUIPMENT

Operator Assemblies

MOVFR II - Conventional

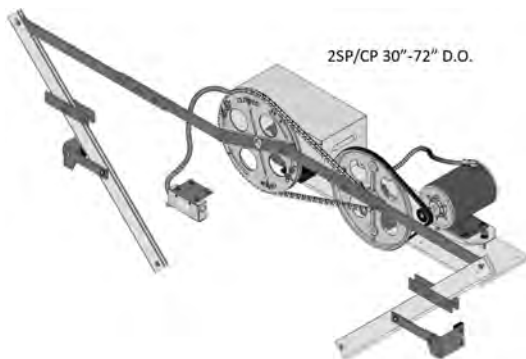
Operator Assemblies

Center Parting - 220 V.A.C. - High Cab

43" Header Height

Part No.	C/P	List Price
OP100-0035N	30"-33"	\$2,260.00
OP100-0036N	34"-39"	\$2,260.00
OP100-0037N	40"-44"	\$2,260.00
OP100-0038N	45"-49"	\$2,260.00
OP100-0039N	50"-54"	\$2,260.00

Two Speed Center Parting



- “MOVFR II” operator includes: door drive arm, nudging & gate switch
- Basic operator requires (4-6) wires excluding door limits, gate switch, fault monitor micro-switch and re-opening circuit
- Refer to wiring diagram 8032 for connections
- Mounting hardware Part No. OP2-0050N

Special Note:

- Gate switch (**extra charge**)
- Parameter unit (**extra charge**)
- Drive arm pivot support brackets for C/P (Part No. OP25-0001N) or 2SP/CP (Part No. OP25-0002N) doors are sold separately

Features:

- **Door Control** with built-in diagnostics
- **Optional ‘heavy door’ input**
- **Plug & Play Door Protection**
- **Closed Loop** regulated speed via motor performance feedback
- **Keypad Programming** allows complete control for all speeds, torques, acceleration, and deceleration
- **LED indication** of all inputs and outputs
- **Test Switches** for open, close, nudging and heavy door
- **Three Inputs supplied:** Door Open, Door Close and Nudging. Option available: Heavy Door
- **Universal Voltage Inputs** will accept 24 to 300 volts, AC or DC
- **Heavy Duty** 1/2 HP motor
- **Non Contact** optical couplers
- **Water Resistant** model available
- **Revised Box Design** affords more room for wiring
- **Drives Available:** 220 V.A.C. or 115 V.A.C. (Specify when ordering)

Two Speed Center Parting - 220 V.A.C. - Standard

15" Header Height

Part No.	2SP/CP	List Price
OP101-0001N	32"-33"	\$2,148.00
OP101-0002N	34"	\$2,148.00
OP101-0003N	35"-37"	\$2,148.00
OP101-0004N	38"-39"	\$2,148.00
OP101-0005N	40"-41"	\$2,148.00
OP101-0006N	42"-44"	\$2,148.00
OP101-0007N	45"-46"	\$2,148.00
OP101-0008N	47"-48"	\$2,148.00
OP101-0009N	49"	\$2,148.00

17" Header Height

Part No.	2SP/CP	List Price
OP101-0010N	50"-51"	\$2,148.00
OP101-0011N	52"-53"	\$2,148.00
OP101-0012N	54"	\$2,148.00
OP101-0013N	55"-56"	\$2,148.00
OP101-0014N	57"-58"	\$2,148.00
OP101-0015N	59"	\$2,148.00
OP101-0016N	60"	\$2,148.00
OP101-0017N	61"-62"	\$2,148.00
OP101-0018N	63"	\$2,148.00
OP101-0019N	64"	\$2,148.00

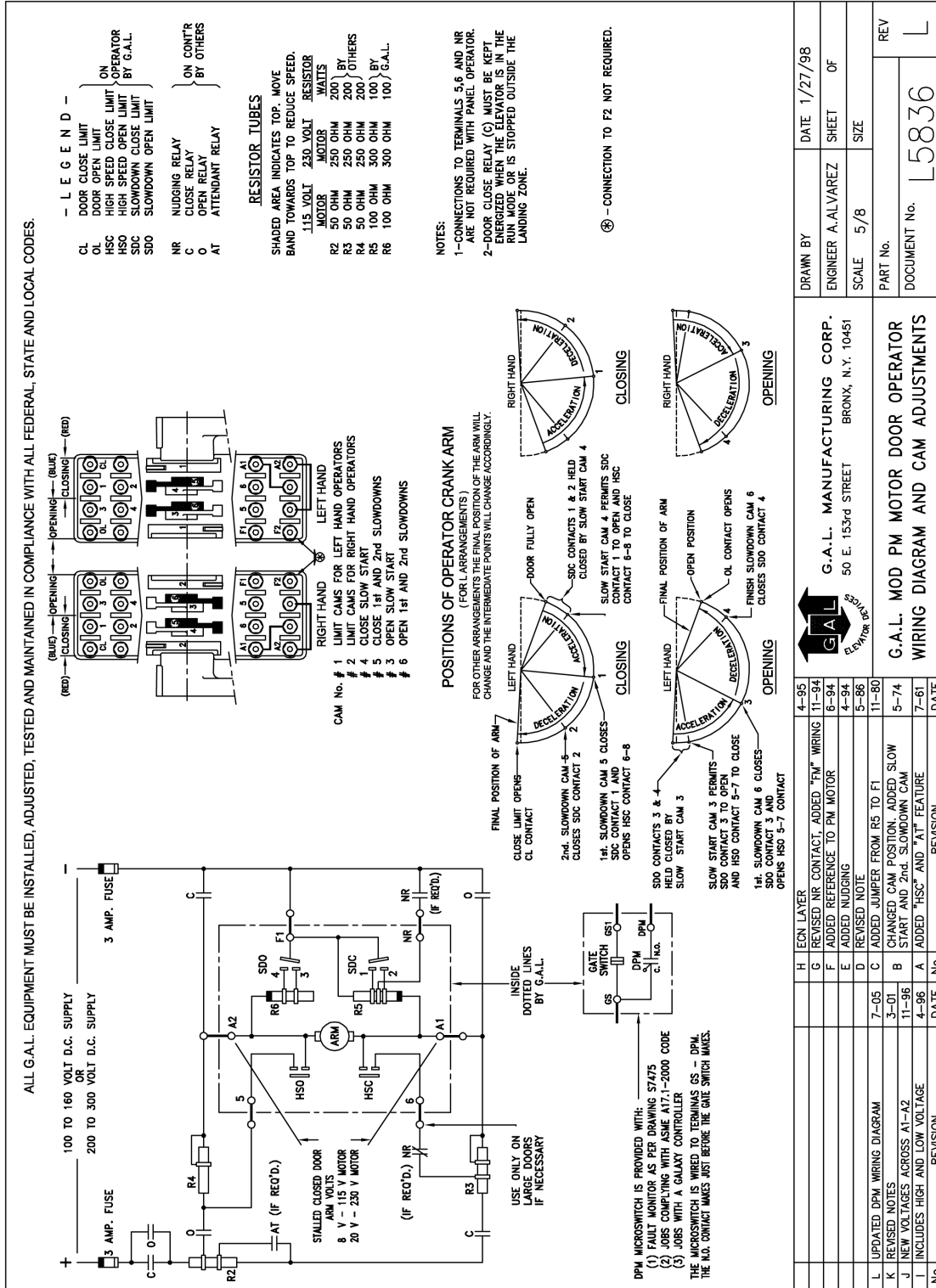
19" Header Height

Part No.	2SP/CP	List Price
OP101-0020N	65"	\$2,148.00
OP101-0021N	66"-67"	\$2,148.00
OP101-0022N	68"	\$2,148.00
OP101-0023N	69"	\$2,148.00
OP101-0024N	70"-71"	\$2,148.00
OP101-0025N	72"-73"	\$2,148.00

DOOR EQUIPMENT

Operator Assemblies

MODL - Wiring Diagram

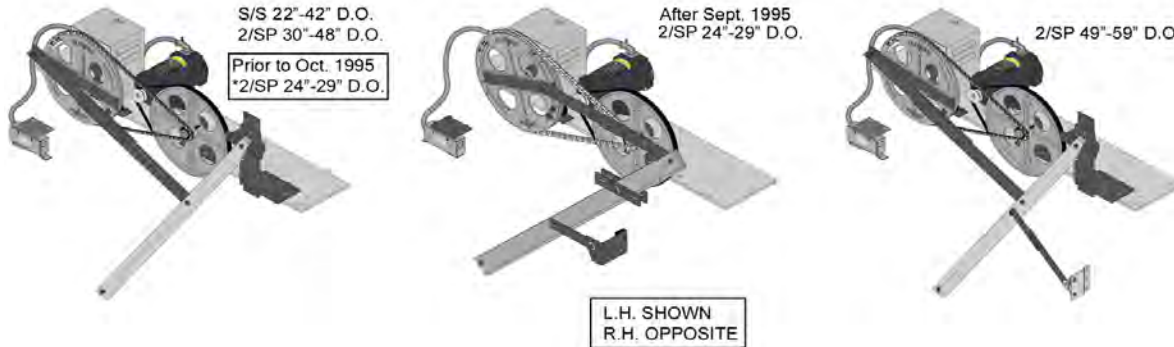


DOOR EQUIPMENT Operator Assemblies

Operator
Assemblies

MODL - Conventional

Single & Two Speed



- “MODL” operator includes: door drive arm assembly, nudging & gate switch
 - P.M. motor: 1/6 HP 1140 RPM
 - Up to 1 1/2 foot per second opening
 - Basic operator requires (5) wires excluding open and close limits and gate switch. Nudging requires (1) additional wire
 - Power supply of 200 to 300 V.D.C. or 100 to 160 V.D.C.
 - Operator wiring diagram L-5836 Rev. L
 - CSA Certificate No. LR-1304-27 complies with CAN/CSA-B44.1-M91/ASME-A17.5
- Special Note:**
- Gate switch (extra charge)

Single & Two Speed - 220 V.D.C. - Standard

13" Header Height

Part No.	S/S	2/SP	List Price
OP1-0001L/R	22"-24"		\$1,098.00
OP1-0002L/R	25"-29"		\$1,098.00
OP1-0003L/R*		24"-29"	\$1,098.00
OP1-0004L/R	30"-34"	30"-34"	\$1,098.00
OP1-0005L/R	35"-39"	35"-39"	\$1,098.00
OP1-0006L/R	40"-42"	40"-44"	\$1,098.00
OP1-0007L/R		45"-48"	\$1,098.00

Part No.	S/S	2/SP	List Price
OP1-0018L/R		24"	\$1,098.00
OP1-0019L/R		25"	\$1,098.00
OP1-0020L/R		26"	\$1,098.00
OP1-0021L/R		27"	\$1,098.00
OP1-0022L/R		28"	\$1,098.00
OP1-0023L/R		29"	\$1,098.00

15" Header Height

Part No.	2/SP	List Price
OP35-0001L/R	49"-52"	\$1,098.00
OP35-0002L/R	53"-56"	\$1,098.00

17" Header Height

Part No.	2/SP	List Price
OP35-0003L/R	57"-59"	\$1,098.00

Single & Two Speed - 220 V.D.C. - High Cab

17" Header Height

Part No.	S/S	2/SP	List Price
OP1-0030L/R	30"-34"	30"-34"	\$1,154.00
OP1-0031L/R	35"-39"	35"-39"	\$1,154.00
OP1-0032L/R	40"-42"	40"-44"	\$1,154.00
OP1-0033L/R		45"-48"	\$1,154.00

21" Header Height

Part No.	S/S	2/SP	List Price
OP1-0038L/R	30"-34"	30"-34"	\$1,154.00
OP1-0039L/R	35"-39"	35"-39"	\$1,154.00
OP1-0041L/R	40"-42"	40"-44"	\$1,154.00
OP1-0042L/R		45"-48"	\$1,154.00

DOOR EQUIPMENT

Operator Assemblies

MODL - Conventional

Single & Two Speed - 220 V.D.C. - High Cab

25" Header Height

Part No.	S/S	2/SP	List Price
OP1-0047L/R	30"-34"	30"-34"	\$1,154.00
OP1-0048L/R	35"-39"	35"-39"	\$1,154.00
OP1-0049L/R	40"-42"	40"-44"	\$1,154.00
OP1-0050L/R		45"-48"	\$1,154.00

29" Header Height

Part No.	S/S	2/SP	List Price
OP1-0055L/R	30"-34"	30"-34"	\$1,154.00
OP1-0056L/R	35"-39"	35"-39"	\$1,154.00
OP1-0057L/R	40"-42"	40"-44"	\$1,154.00
OP1-0058L/R		45"-48"	\$1,154.00

33" Header Height

Part No.	S/S	2/SP	List Price
OP1-0063L/R	30"-34"	30"-34"	\$1,154.00
OP1-0064L/R	35"-39"	35"-39"	\$1,154.00
OP1-0065L/R	40"-42"	40"-44"	\$1,154.00
OP1-0066L/R		45"-48"	\$1,154.00

37" Header Height

Part No.	S/S	2/SP	List Price
OP1-0071L/R	30"-34"	30"-34"	\$1,154.00
OP1-0072L/R	35"-39"	35"-39"	\$1,154.00
OP1-0073L/R	40"-42"	40"-44"	\$1,154.00
OP1-0074L/R		45"-48"	\$1,154.00

41" Header Height

Part No.	S/S	2/SP	List Price
OP1-0079L/R	30"-34"	30"-34"	\$1,154.00
OP1-0080L/R	35"-39"	35"-39"	\$1,154.00
OP1-0081L/R	40"-42"	40"-44"	\$1,154.00
OP1-0082L/R		45"-48"	\$1,154.00

Single & Two Speed - 115 V.D.C. - Standard

13" Header Height

Part No.	S/S	2/SP	List Price
OP1-0010L/R	22"-24"		\$1,098.00
OP1-0011L/R	25"-29"		\$1,098.00
OP1-0012L/R	30"-34"	30"-34"	\$1,098.00
OP1-0013L/R	35"-39"	35"-39"	\$1,098.00
OP1-0014L/R	40"-42"	40"-44"	\$1,098.00
OP1-0017L/R		45"-48"	\$1,098.00

Part No.	S/S	2/SP	List Price
OP1-0024L/R		24"	\$1,098.00
OP1-0025L/R		25"	\$1,098.00
OP1-0026L/R		26"	\$1,098.00
OP1-0027L/R		27"	\$1,098.00
OP1-0028L/R		28"	\$1,098.00
OP1-0029L/R		29"	\$1,098.00

15" Header Height

Part No.	2/SP	List Price
OP35-0008L/R	49"-52"	\$1,098.00
OP35-0009L/R	53"-56"	\$1,098.00

17" Header Height

Part No.	2/SP	List Price
OP35-0011L/R	57"-59"	\$1,098.00

Single & Two Speed - 115 V.D.C. - High Cab

17" Header Height

Part No.	S/S	2/SP	List Price
OP1-0034L/R	30"-34"	30"-34"	\$1,154.00
OP1-0035L/R	35"-39"	35"-39"	\$1,154.00
OP1-0036L/R	40"-42"	40"-44"	\$1,154.00
OP1-0037L/R		45"-48"	\$1,154.00

21" Header Height

Part No.	S/S	2/SP	List Price
OP1-0043L/R	30"-34"	30"-34"	\$1,154.00
OP1-0044L/R	35"-39"	35"-39"	\$1,154.00
OP1-0045L/R	40"-42"	40"-44"	\$1,154.00
OP1-0046L/R		45"-48"	\$1,154.00

DOOR EQUIPMENT

Operator Assemblies

MODL - Conventional

Operator
Assemblies

Single & Two Speed - 115 V.D.C. - High Cab

25" Header Height

Part No.	S/S	2/SP	List Price
OP1-0051L/R	30"-34"	30"-34"	\$1,154.00
OP1-0052L/R	35"-39"	35"-39"	\$1,154.00
OP1-0053L/R	40"-42"	40"-44"	\$1,154.00
OP1-0054L/R		45"-48"	\$1,154.00

29" Header Height

Part No.	S/S	2/SP	List Price
OP1-0059L/R	30"-34"	30"-34"	\$1,154.00
OP1-0060L/R	35"-39"	35"-39"	\$1,154.00
OP1-0061L/R	40"-42"	40"-44"	\$1,154.00
OP1-0062L/R		45"-48"	\$1,154.00

33" Header Height

Part No.	S/S	2/SP	List Price
OP1-0067L/R	30"-34"	30"-34"	\$1,154.00
OP1-0068L/R	35"-39"	35"-39"	\$1,154.00
OP1-0069L/R	40"-42"	40"-44"	\$1,154.00
OP1-0070L/R		45"-48"	\$1,154.00

37" Header Height

Part No.	S/S	2/SP	List Price
OP1-0075L/R	30"-34"	30"-34"	\$1,154.00
OP1-0076L/R	35"-39"	35"-39"	\$1,154.00
OP1-0077L/R	40"-42"	40"-44"	\$1,154.00
OP1-0078L/R		45"-48"	\$1,154.00

41" Header Height

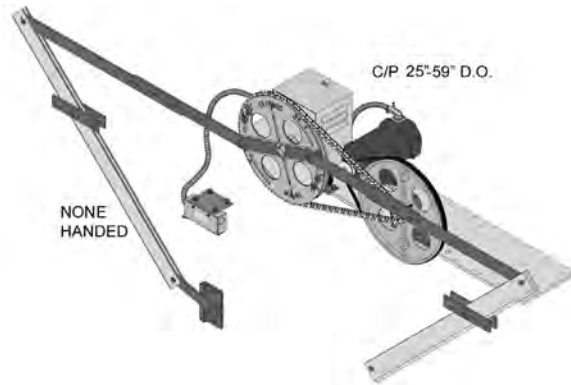
Part No.	S/S	2/SP	List Price
OP1-0083L/R	30"-34"	30"-34"	\$1,154.00
OP1-0084L/R	35"-39"	35"-39"	\$1,154.00
OP1-0085L/R	40"-42"	40"-44"	\$1,154.00
OP1-0086L/R		45"-48"	\$1,154.00

DOOR EQUIPMENT

Operator Assemblies

MODL - Conventional

Center Parting



Special Note:

- Gate switch (extra charge)
- Drive arm pivot support brackets for C/P (Part No. OP25-0001N) or 2SP/CP (Part No. OP25-0002N) doors are sold separately

- “MODL” operator includes: door drive arm assembly, nudging & gate switch
- P.M. motor: 1/6 HP 1140 RPM
- Power supply of 200 to 300 V.D.C. or 100 to 160 V.D.C.
- Up to 1 1/2 foot per second opening
- Basic operator requires (5) wires excluding open and close limits and gate switch. Nudging requires (1) additional wire
- Operator wiring diagram L-5836 Rev. L
- CSA Certificate No. LR-1304-27 complies with CAN/CSA-B44.1-M91/ASME-A17.5

Center Parting - 220 V.D.C. - Standard

15" Header Height

Part No.	C/P	List Price
OP2-0084N	25"-29"	\$1,202.00
OP2-0001N	30"-33"	\$1,202.00

Part No.	C/P	List Price
OP2-0002N	34"-39"	\$1,202.00
OP2-0003N	40"-49"	\$1,202.00

Part No.	C/P	List Price
OP2-0004N	50"-54"	\$1,202.00
OP2-0005N	55"-59"	\$1,202.00

Center Parting - 220 V.D.C. - High Cab

19" Header Height

Part No.	C/P	List Price
OP2-0011N	30"-33"	\$1,314.00
OP2-0012N	34"-39"	\$1,314.00
OP2-0013N	40"-44"	\$1,314.00
OP2-0014N	45"-49"	\$1,314.00
OP2-0015N	50"-53"	\$1,314.00

23" Header Height

Part No.	C/P	List Price
OP2-0021N	30"-33"	\$1,314.00
OP2-0022N	34"-39"	\$1,314.00
OP2-0023N	40"-44"	\$1,314.00
OP2-0024N	45"-49"	\$1,314.00
OP2-0025N	50"-53"	\$1,314.00

27" Header Height

Part No.	C/P	List Price
OP2-0031N	30"-33"	\$1,314.00
OP2-0033N	40"-44"	\$1,314.00
OP2-0034N	45"-49"	\$1,314.00
OP2-0035N	50"-53"	\$1,314.00

31" Header Height

Part No.	C/P	List Price
OP2-0041N	30"-33"	\$1,314.00
OP2-0042N	34"-39"	\$1,314.00
OP2-0043N	40"-44"	\$1,314.00
OP2-0044N	45"-49"	\$1,314.00
OP2-0045N	50"-53"	\$1,314.00

35" Header Height

Part No.	C/P	List Price
OP2-0052N	30"-33"	\$1,314.00
OP2-0053N	34"-39"	\$1,314.00
OP2-0054N	40"-44"	\$1,314.00
OP2-0055N	45"-49"	\$1,314.00
OP2-0056N	50"-53"	\$1,314.00

39" Header Height

Part No.	C/P	List Price
OP2-0062N	30"-33"	\$1,314.00
OP2-0063N	34"-39"	\$1,314.00
OP2-0064N	40"-44"	\$1,314.00
OP2-0065N	45"-49"	\$1,314.00
OP2-0066N	50"-53"	\$1,314.00

43" Header Height

Part No.	C/P	List Price
OP2-0072N	30"-33"	\$1,314.00
OP2-0073N	34"-39"	\$1,314.00
OP2-0074N	40"-44"	\$1,314.00

43" Header Height

Part No.	C/P	List Price
OP2-0075N	45"-49"	\$1,314.00
OP2-0076N	50"-53"	\$1,314.00

DOOR EQUIPMENT

Operator Assemblies

MODL - Conventional

Operator
Assemblies

Center Parting - 115 V.D.C. - Standard

15" Header Height

Part No.	C/P	List Price
OP2-0085N*	25"-29"	\$1,202.00
OP2-0006N	30"-33"	\$1,202.00

Part No.	C/P	List Price
OP2-0007N	34"-39"	\$1,202.00
OP2-0008N	40"-49"	\$1,202.00

Part No.	C/P	List Price
OP2-0009N	50"-54"	\$1,202.00
OP2-0010N	55"-59"	\$1,202.00

Center Parting - 115 V.D.C. - High Cab

19" Header Height

Part No.	C/P	List Price
OP2-0016N	30"-33"	\$1,314.00
OP2-0017N	34"-39"	\$1,314.00
OP2-0018N	40"-44"	\$1,314.00
OP2-0019N	45"-49"	\$1,314.00
OP2-0020N	50"-53"	\$1,314.00

23" Header Height

Part No.	C/P	List Price
OP2-0026N	30"-33"	\$1,314.00
OP2-0027N	34"-39"	\$1,314.00
OP2-0028N	40"-44"	\$1,314.00
OP2-0029N	45"-49"	\$1,314.00
OP2-0030N	50"-53"	\$1,314.00

27" Header Height

Part No.	C/P	List Price
OP2-0036N	30"-33"	\$1,314.00
OP2-0038N	40"-44"	\$1,314.00
OP2-0039N	45"-49"	\$1,314.00
OP2-0040N	50"-53"	\$1,314.00

31" Header Height

Part No.	C/P	List Price
OP2-0046N	30"-33"	\$1,314.00
OP2-0047N	34"-39"	\$1,314.00
OP2-0048N	40"-44"	\$1,314.00
OP2-0049N	45"-49"	\$1,314.00
OP2-0051N	50"-53"	\$1,314.00

35" Header Height

Part No.	C/P	List Price
OP2-0057N	30"-33"	\$1,314.00
OP2-0058N	34"-39"	\$1,314.00
OP2-0059N	40"-44"	\$1,314.00
OP2-0060N	45"-49"	\$1,314.00
OP2-0061N	50"-53"	\$1,314.00

39" Header Height

Part No.	C/P	List Price
OP2-0067N	30"-33"	\$1,314.00
OP2-0068N	34"-39"	\$1,314.00
OP2-0069N	40"-44"	\$1,314.00
OP2-0070N	45"-49"	\$1,314.00
OP2-0071N	50"-53"	\$1,314.00

43" Header Height

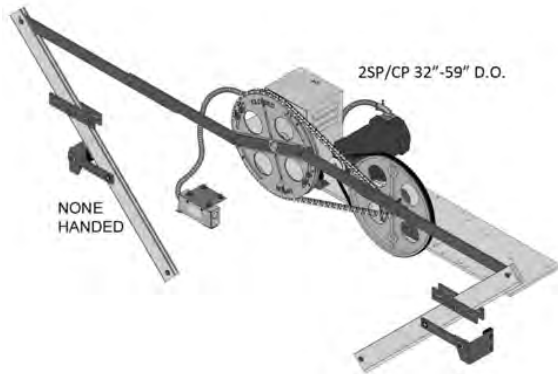
Part No.	C/P	List Price
OP2-0077N	30"-33"	\$1,314.00
OP2-0078N	34"-39"	\$1,314.00
OP2-0079N	40"-44"	\$1,314.00
OP2-0080N	45"-49"	\$1,314.00
OP2-0081N	50"-53"	\$1,314.00

DOOR EQUIPMENT

Operator Assemblies

MODL - Conventional

Two Speed Center Parting



Special Note:

- Gate switch (extra charge)
- Drive arm pivot support brackets for C/P (Part No. OP25-0001N) or 2SP/CP (Part No. OP25-0002N) doors are sold separately

- “MODL” operator includes: door drive arm assembly, nudging & gate switch
- P.M. motor: 1/6 HP 1140 RPM
- Power supply of 200 to 300 V.D.C. or 100 to 160 V.D.C.
- Up to 1 1/2 foot per second opening
- Basic operator requires (5) wires excluding open and close limits and gate switch. Nudging requires (1) additional wire
- Operator wiring diagram L-5836 Rev. L
- CSA Certificate No. LR-1304-27 complies with CAN/CSA-B44.1-M91/ASME-A17.5

Two Speed Center Parting - 220 V.D.C. - Standard

15" Header Height

Part No.	2SP/CP	List Price
OP37-0001N	32"-33"	\$1,202.00
OP37-0002N	34"	\$1,202.00
OP37-0003N	35"-37"	\$1,202.00
OP37-0004N	38"-39"	\$1,202.00
OP37-0005N	40"-41"	\$1,202.00
OP37-0006N	42"-44"	\$1,202.00
OP37-0007N	45"-46"	\$1,202.00
OP37-0008N	47"-48"	\$1,202.00
OP37-0009N	49"	\$1,202.00

17" Header Height

Part No.	2SP/CP	List Price
OP37-0010N	50"-51"	\$1,202.00
OP37-0011N	52"-53"	\$1,202.00
OP37-0012N	54"	\$1,202.00
OP37-0013N	55"-56"	\$1,202.00
OP37-0014N	57"-58"	\$1,202.00
OP37-0015N	59"	\$1,202.00

Two Speed Center Parting - 115 V.D.C. - Standard

15" Header Height

Part No.	2SP/CP	List Price
OP37-0036N	32"-33"	\$1,202.00
OP37-0037N	34"	\$1,202.00
OP37-0038N	35"-37"	\$1,202.00
OP37-0039N	38"-39"	\$1,202.00
OP37-0040N	40"-41"	\$1,202.00
OP37-0041N	42"-44"	\$1,202.00
OP37-0042N	45"-46"	\$1,202.00
OP37-0043N	47"-48"	\$1,202.00
OP37-0044N	49"	\$1,202.00

17" Header Height

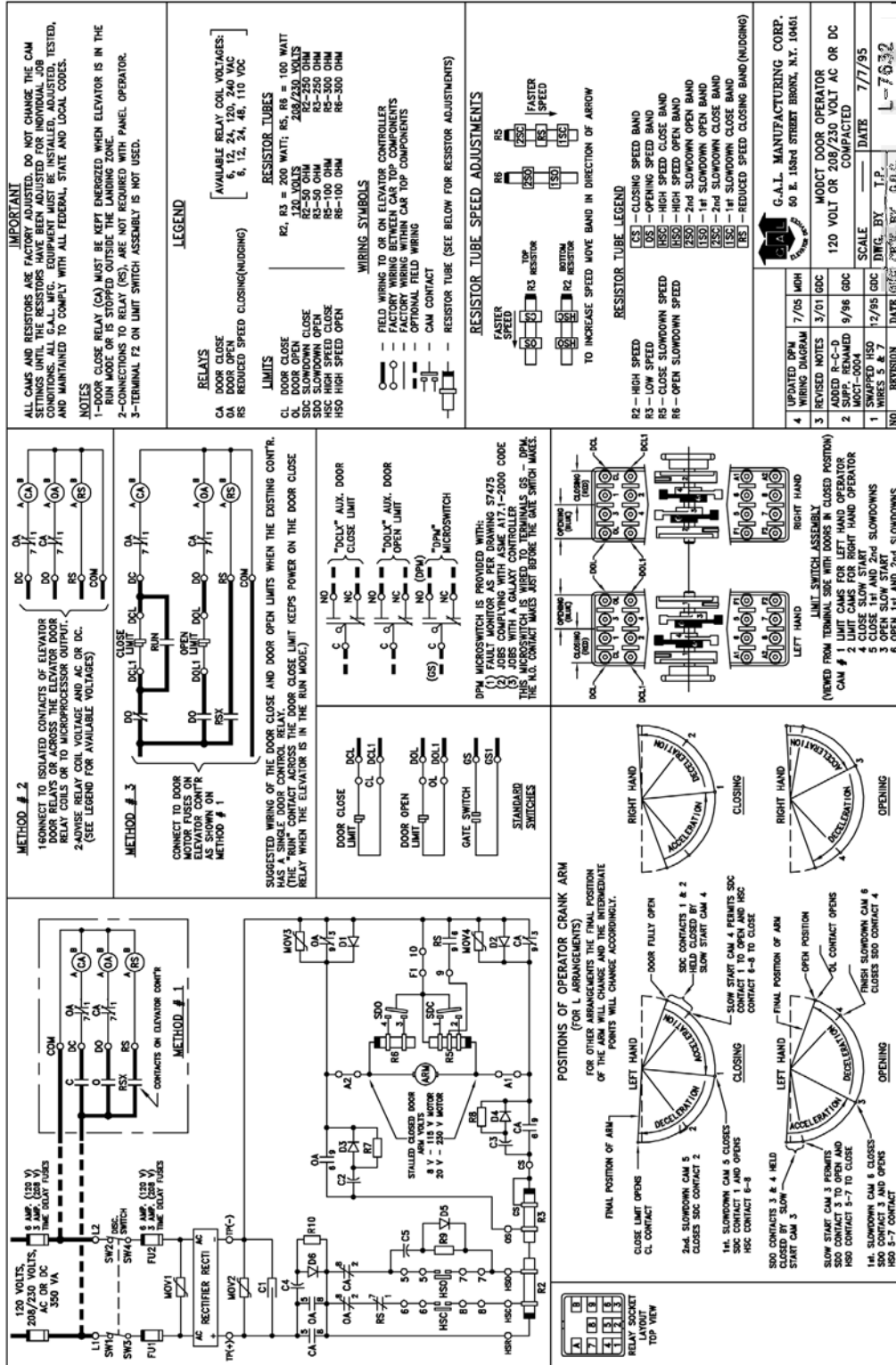
Part No.	2SP/CP	List Price
OP37-0045N	50"-51"	\$1,202.00
OP37-0046N	52"-53"	\$1,202.00
OP37-0047N	54"	\$1,202.00
OP37-0048N	55"-56"	\$1,202.00
OP37-0049N	57"-58"	\$1,202.00
OP37-0050N	59"	\$1,202.00

DOOR EQUIPMENT

Operator Assemblies

MODCTL - Wiring Diagram

Operator Assemblies



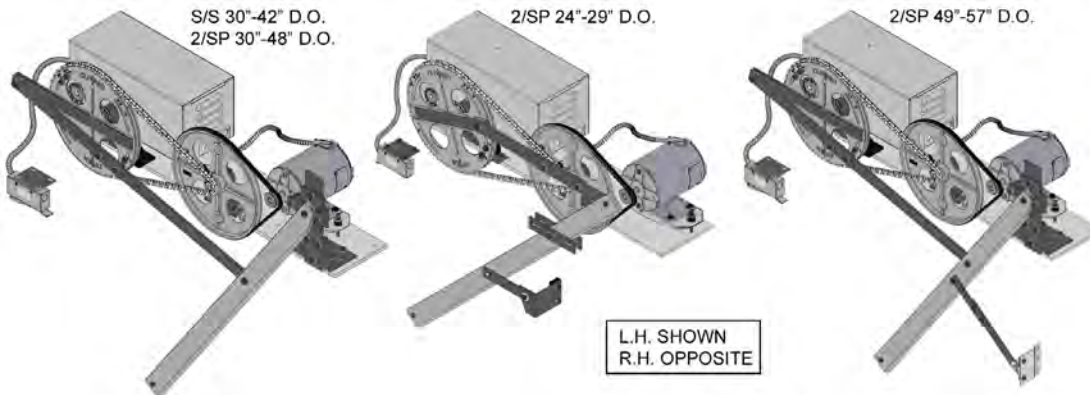
(*) Special Engineering Required

DOOR EQUIPMENT

Operator Assemblies

MODCTL - Conventional

Single & Two Speed



- “MODCTL” operator includes: door drive arm assembly, nudging & gate switch
- Up to 1 1/2 foot per second opening
- Center parting geared car doors replacement for OTIS operators (6970, 7660, 7300, 7770.....) includes drive arm and door link and bracket “OP113”
- Basic operator requires (4) wires excluding open and close relays, open and close limits and gate switch. Nudging requires (1) additional wire
- Mounting hardware Part No. OP1-0040N

- P.M. motor: 1/6 HP 1140 RPM
- Power supply of 208 to 230 V.A.C./D.C. or 120 V.A.C./D.C.
- Operator wiring diagram L-7632
- CSA Certificate No. LR-1304-27 complies with CAN/CSA-B44.1-M91/ASME-A17.5

Special Note:

- Gate switch (extra charge)
- 120 V.A.C./D.C. is available upon request. Contact G.A.L. sales department.

Single & Two Speed - 220 V.D.C. - Standard

13" Header Height

Part No.	S/S	2/SP	Relay Voltage	List Price
OP51-0253L/R	22"-24"		24 V.A.C.	\$1,907.00
OP51-0259L/R	22"-24"		24 V.D.C.	\$1,907.00
OP51-0265L/R	22"-24"		48 V.D.C.	\$1,907.00
OP51-0017L/R	22"-24"		110 V.D.C.	\$1,907.00
OP51-0009L/R	22"-24"		120 V.A.C.	\$1,907.00
OP51-0001L/R	22"-24"		240 V.A.C.	\$1,907.00
OP51-0254L/R	25"-29"		24 V.A.C.	\$1,907.00
OP51-0260L/R	25"-29"		24 V.D.C.	\$1,907.00
OP51-0266L/R	25"-29"		48 V.D.C.	\$1,907.00
OP51-0018L/R	25"-29"		110 V.D.C.	\$1,907.00
OP51-0010L/R	25"-29"		120 V.A.C.	\$1,907.00
OP51-0002L/R	25"-29"		240 V.A.C.	\$1,907.00
OP51-0255L/R	30"-34"	30"-34"	24 V.A.C.	\$1,907.00
OP51-0261L/R	30"-34"	30"-34"	24 V.D.C.	\$1,907.00
OP51-0267L/R	30"-34"	30"-34"	48 V.D.C.	\$1,907.00
OP51-0019L/R	30"-34"	30"-34"	110 V.D.C.	\$1,907.00
OP51-0011L/R	30"-34"	30"-34"	120 V.A.C.	\$1,907.00
OP51-0003L/R	30"-34"	30"-34"	240 V.A.C.	\$1,907.00
OP51-0256L/R	35"-39"	35"-39"	24 V.A.C.	\$1,907.00
OP51-0262L/R	35"-39"	35"-39"	24 V.D.C.	\$1,907.00
OP51-0268L/R	35"-39"	35"-39"	48 V.D.C.	\$1,907.00
OP51-0020L/R	35"-39"	35"-39"	110 V.D.C.	\$1,907.00
OP51-0012L/R	35"-39"	35"-39"	120 V.A.C.	\$1,907.00
OP51-0004L/R	35"-39"	35"-39"	240 V.A.C.	\$1,907.00

Part No.	S/S	2/SP	Relay Voltage	List Price
OP51-0257L/R	40"-42"	40"-44"	24 V.A.C.	\$1,907.00
OP51-0263L/R	40"-42"	40"-44"	24 V.D.C.	\$1,907.00
OP51-0269L/R	40"-42"	40"-44"	48 V.D.C.	\$1,907.00
OP51-0021L/R	40"-42"	40"-44"	110 V.D.C.	\$1,907.00
OP51-0013L/R	40"-42"	40"-44"	120 V.A.C.	\$1,907.00
OP51-0005L/R	40"-42"	40"-44"	240 V.A.C.	\$1,907.00
OP51-0289L/R		24"	24 V.A.C.	\$1,907.00
OP51-0295L/R		24"	24 V.D.C.	\$1,907.00
OP51-0301L/R		24"	48 V.D.C.	\$1,907.00
OP51-0061L/R		24"	110 V.D.C.	\$1,907.00
OP51-0055L/R		24"	120 V.A.C.	\$1,907.00
OP51-0049L/R		24"	240 V.A.C.	\$1,907.00
OP51-0290L/R		25"	24 V.A.C.	\$1,907.00
OP51-0296L/R		25"	24 V.D.C.	\$1,907.00
OP51-0302L/R		25"	48 V.D.C.	\$1,907.00
OP51-0062L/R		25"	110 V.D.C.	\$1,907.00
OP51-0056L/R		25"	120 V.A.C.	\$1,907.00
OP51-0050L/R		25"	240 V.A.C.	\$1,907.00
OP51-0291L/R		26"	24 V.A.C.	\$1,907.00
OP51-0297L/R		26"	24 V.D.C.	\$1,907.00
OP51-0303L/R		26"	48 V.D.C.	\$1,907.00
OP51-0063L/R		26"	110 V.D.C.	\$1,907.00
OP51-0057L/R		26"	120 V.A.C.	\$1,907.00
OP51-0051L/R		26"	240 V.A.C.	\$1,907.00

DOOR EQUIPMENT

Operator Assemblies

MODCTL - Conventional

Operator
Assemblies

Single & Two Speed - 220 V.D.C. - Standard

13" Header Height

Part No.	S/S	2/SP	Relay Voltage	List Price
OP51-0292L/R		27"	24 V.A.C.	\$1,907.00
OP51-0298L/R		27"	24 V.D.C.	\$1,907.00
OP51-0304L/R		27"	48 V.D.C.	\$1,907.00
OP51-0064L/R		27"	110 V.D.C.	\$1,907.00
OP51-0058L/R		27"	120 V.A.C.	\$1,907.00
OP51-0052L/R		27"	240 V.A.C.	\$1,907.00
OP51-0293L/R		28"	24 V.A.C.	\$1,907.00
OP51-0299L/R		28"	24 V.D.C.	\$1,907.00
OP51-0305L/R		28"	48 V.D.C.	\$1,907.00
OP51-0065L/R		28"	110 V.D.C.	\$1,907.00
OP51-0059L/R		28"	120 V.A.C.	\$1,907.00
OP51-0053L/R		28"	240 V.A.C.	\$1,907.00

Part No.	S/S	2/SP	Relay Voltage	List Price
OP51-0294L/R		29"	24 V.A.C.	\$1,907.00
OP51-0300L/R		29"	24 V.D.C.	\$1,907.00
OP51-0306L/R		29"	48 V.D.C.	\$1,907.00
OP51-0066L/R		29"	110 V.D.C.	\$1,907.00
OP51-0060L/R		29"	120 V.A.C.	\$1,907.00
OP51-0054L/R		29"	240 V.A.C.	\$1,907.00
OP51-0258L/R		45"-48"	24 V.A.C.	\$1,907.00
OP51-0264L/R		45"-48"	24 V.D.C.	\$1,907.00
OP51-0270L/R		45"-48"	48 V.D.C.	\$1,907.00
OP51-0024L/R		45"-48"	110 V.D.C.	\$1,907.00
OP51-0016L/R		45"-48"	120 V.A.C.	\$1,907.00
OP51-0008L/R		45"-48"	240 V.A.C.	\$1,907.00

15" Header Height

Part No.	2/SP	Relay Voltage	List Price
OP55-0015L/R	49"-52"	110 V.D.C.	\$1,907.00
OP55-0008L/R	49"-52"	120 V.A.C.	\$1,907.00
OP55-0001L/R	49"-52"	240 V.A.C.	\$1,907.00

Part No.	2/SP	Relay Voltage	List Price
OP55-0016L/R	53"-56"	110 V.D.C.	\$1,907.00
OP55-0009L/R	53"-56"	120 V.A.C.	\$1,907.00
OP55-0002L/R	53"-56"	240 V.A.C.	\$1,907.00

Single & Two Speed - 220 V.D.C. - High Cab

17" Header Height

Part No.	S/S	2/SP	Relay Voltage	List Price
OP51-0325L/R	30"-34"	30"-34"	24 V.A.C.	\$1,963.00
OP51-0329L/R	30"-34"	30"-34"	24 V.D.C.	\$1,963.00
OP51-0333L/R	30"-34"	30"-34"	48 V.D.C.	\$1,963.00
OP51-0093L/R	30"-34"	30"-34"	110 V.D.C.	\$1,963.00
OP51-0089L/R	30"-34"	30"-34"	120 V.A.C.	\$1,963.00
OP51-0085L/R	30"-34"	30"-34"	240 V.A.C.	\$1,963.00
OP51-0326L/R	35"-39"	35"-39"	24 V.A.C.	\$1,963.00
OP51-0330L/R	35"-39"	35"-39"	24 V.D.C.	\$1,963.00
OP51-0334L/R	35"-39"	35"-39"	48 V.D.C.	\$1,963.00
OP51-0094L/R	35"-39"	35"-39"	110 V.D.C.	\$1,963.00
OP51-0090L/R	35"-39"	35"-39"	120 V.A.C.	\$1,963.00
OP51-0086L/R	35"-39"	35"-39"	240 V.A.C.	\$1,963.00
OP51-0327L/R	40"-42"	40"-44"	24 V.A.C.	\$1,963.00
OP51-0331L/R	40"-42"	40"-44"	24 V.D.C.	\$1,963.00

Part No.	S/S	2/SP	Relay Voltage	List Price
OP51-0335L/R	40"-42"	40"-44"	48 V.D.C.	\$1,963.00
OP51-0095L/R	40"-42"	40"-44"	110 V.D.C.	\$1,963.00
OP51-0091L/R	40"-42"	40"-44"	120 V.A.C.	\$1,963.00
OP51-0087L/R	40"-42"	40"-44"	240 V.A.C.	\$1,963.00
OP51-0328L/R		45"-48"	24 V.A.C.	\$1,963.00
OP51-0332L/R		45"-48"	24 V.D.C.	\$1,963.00
OP51-0336L/R		45"-48"	48 V.D.C.	\$1,963.00
OP51-0096L/R		45"-48"	110 V.D.C.	\$1,963.00
OP51-0092L/R		45"-48"	120 V.A.C.	\$1,963.00
OP51-0088L/R		45"-48"	240 V.A.C.	\$1,963.00
OP55-0017L/R		57"-59"	110 V.D.C.	\$1,907.00
OP55-0010L/R		57"-59"	120 V.A.C.	\$1,907.00
OP55-0003L/R		57"-59"	240 V.A.C.	\$1,907.00

DOOR EQUIPMENT

Operator Assemblies

MODCTL - Conventional

Single & Two Speed - 220 V.D.C. - High Cab

21" Header Height

Part No.	S/S	2/SP	Relay Voltage	List Price
OP51-0337L/R	30"-34"	30"-34"	24 V.A.C.	\$1,963.00
OP51-0341L/R	30"-34"	30"-34"	24 V.D.C.	\$1,963.00
OP51-0345L/R	30"-34"	30"-34"	48 V.D.C.	\$1,963.00
OP51-0105L/R	30"-34"	30"-34"	110 V.D.C.	\$1,963.00
OP51-0101L/R	30"-34"	30"-34"	120 V.A.C.	\$1,963.00
OP51-0097L/R	30"-34"	30"-34"	240 V.A.C.	\$1,963.00
OP51-0338L/R	35"-39"	35"-39"	24 V.A.C.	\$1,963.00
OP51-0342L/R	35"-39"	35"-39"	24 V.D.C.	\$1,963.00
OP51-0346L/R	35"-39"	35"-39"	48 V.D.C.	\$1,963.00
OP51-0106L/R	35"-39"	35"-39"	110 V.D.C.	\$1,963.00
OP51-0102L/R	35"-39"	35"-39"	120 V.A.C.	\$1,963.00
OP51-0098L/R	35"-39"	35"-39"	240 V.A.C.	\$1,963.00

Part No.	S/S	2/SP	Relay Voltage	List Price
OP51-0339L/R	40"-42"	40"-44"	24 V.A.C.	\$1,963.00
OP51-0343L/R	40"-42"	40"-44"	24 V.D.C.	\$1,963.00
OP51-0347L/R	40"-42"	40"-44"	48 V.D.C.	\$1,963.00
OP51-0107L/R	40"-42"	40"-44"	110 V.D.C.	\$1,963.00
OP51-0103L/R	40"-42"	40"-44"	120 V.A.C.	\$1,963.00
OP51-0099L/R	40"-42"	40"-44"	240 V.A.C.	\$1,963.00
OP51-0340L/R		45"-48"	24 V.A.C.	\$1,963.00
OP51-0344L/R		45"-48"	24 V.D.C.	\$1,963.00
OP51-0348L/R		45"-48"	48 V.D.C.	\$1,963.00
OP51-0108L/R		45"-48"	110 V.D.C.	\$1,963.00
OP51-0104L/R		45"-48"	120 V.A.C.	\$1,963.00
OP51-0100L/R		45"-48"	240 V.A.C.	\$1,963.00

25" Header Height

Part No.	S/S	2/SP	Relay Voltage	List Price
OP51-0349L/R	30"-34"	30"-34"	24 V.A.C.	\$1,963.00
OP51-0353L/R	30"-34"	30"-34"	24 V.D.C.	\$1,963.00
OP51-0357L/R	30"-34"	30"-34"	48 V.D.C.	\$1,963.00
OP51-0117L/R	30"-34"	30"-34"	110 V.D.C.	\$1,963.00
OP51-0113L/R	30"-34"	30"-34"	120 V.A.C.	\$1,963.00
OP51-0109L/R	30"-34"	30"-34"	240 V.A.C.	\$1,963.00
OP51-0350L/R	35"-39"	35"-39"	24 V.A.C.	\$1,963.00
OP51-0354L/R	35"-39"	35"-39"	24 V.D.C.	\$1,963.00
OP51-0358L/R	35"-39"	35"-39"	48 V.D.C.	\$1,963.00
OP51-0118L/R	35"-39"	35"-39"	110 V.D.C.	\$1,963.00
OP51-0114L/R	35"-39"	35"-39"	120 V.A.C.	\$1,963.00
OP51-0110L/R	35"-39"	35"-39"	240 V.A.C.	\$1,963.00

Part No.	S/S	2/SP	Relay Voltage	List Price
OP51-0351L/R	40"-42"	40"-44"	24 V.A.C.	\$1,963.00
OP51-0355L/R	40"-42"	40"-44"	24 V.D.C.	\$1,963.00
OP51-0359L/R	40"-42"	40"-44"	48 V.D.C.	\$1,963.00
OP51-0119L/R	40"-42"	40"-44"	110 V.D.C.	\$1,963.00
OP51-0115L/R	40"-42"	40"-44"	120 V.A.C.	\$1,963.00
OP51-0111L/R	40"-42"	40"-44"	240 V.A.C.	\$1,963.00
OP51-0352L/R		45"-48"	24 V.A.C.	\$1,963.00
OP51-0356L/R		45"-48"	24 V.D.C.	\$1,963.00
OP51-0360L/R		45"-48"	48 V.D.C.	\$1,963.00
OP51-0120L/R		45"-48"	110 V.D.C.	\$1,963.00
OP51-0116L/R		45"-48"	120 V.A.C.	\$1,963.00
OP51-0112L/R		45"-48"	240 V.A.C.	\$1,963.00

29" Header Height

Part No.	S/S	2/SP	Relay Voltage	List Price
OP51-0361L/R	30"-34"	30"-34"	24 V.A.C.	\$1,963.00
OP51-0365L/R	30"-34"	30"-34"	24 V.D.C.	\$1,963.00
OP51-0369L/R	30"-34"	30"-34"	48 V.D.C.	\$1,790.00
OP51-0129L/R	30"-34"	30"-34"	110 V.D.C.	\$1,963.00
OP51-0125L/R	30"-34"	30"-34"	120 V.A.C.	\$1,963.00
OP51-0121L/R	30"-34"	30"-34"	240 V.A.C.	\$1,963.00
OP51-0362L/R	35"-39"	35"-39"	24 V.A.C.	\$1,963.00
OP51-0366L/R	35"-39"	35"-39"	24 V.D.C.	\$1,963.00
OP51-0370L/R	35"-39"	35"-39"	48 V.D.C.	\$1,963.00
OP51-0130L/R	35"-39"	35"-39"	110 V.D.C.	\$1,963.00
OP51-0126L/R	35"-39"	35"-39"	120 V.A.C.	\$1,963.00
OP51-0122L/R	35"-39"	35"-39"	240 V.A.C.	\$1,963.00

Part No.	S/S	2/SP	Relay Voltage	List Price
OP51-0363L/R	40"-42"	40"-44"	24 V.A.C.	\$1,963.00
OP51-0367L/R	40"-42"	40"-44"	24 V.D.C.	\$1,963.00
OP51-0371L/R	40"-42"	40"-44"	48 V.D.C.	\$1,963.00
OP51-0131L/R	40"-42"	40"-44"	110 V.D.C.	\$1,963.00
OP51-0127L/R	40"-42"	40"-44"	120 V.A.C.	\$1,963.00
OP51-0123L/R	40"-42"	40"-44"	240 V.A.C.	\$1,963.00
OP51-0364L/R		45"-48"	24 V.A.C.	\$1,963.00
OP51-0368L/R		45"-48"	24 V.D.C.	\$1,963.00
OP51-0372L/R		45"-48"	48 V.D.C.	\$1,963.00
OP51-0132L/R		45"-48"	110 V.D.C.	\$1,963.00
OP51-0128L/R		45"-48"	120 V.A.C.	\$1,963.00
OP51-0124L/R		45"-48"	240 V.A.C.	\$1,963.00

DOOR EQUIPMENT

Operator Assemblies

MODCTL - Conventional

Operator
Assemblies

Single & Two Speed - 220 V.D.C. - High Cab

33" Header Height

Part No.	S/S	2/SP	Relay Voltage	List Price
OP51-0373L/R	30"-34"	30"-34"	24 V.A.C.	\$1,963.00
OP51-0377L/R	30"-34"	30"-34"	24 V.D.C.	\$1,963.00
OP51-0381L/R	30"-34"	30"-34"	48 V.D.C.	\$1,963.00
OP51-0141L/R	30"-34"	30"-34"	110 V.D.C.	\$1,963.00
OP51-0137L/R	30"-34"	30"-34"	120 V.A.C.	\$1,963.00
OP51-0133L/R	30"-34"	30"-34"	240 V.A.C.	\$1,963.00
OP51-0374L/R	35"-39"	35"-39"	24 V.A.C.	\$1,963.00
OP51-0378L/R	35"-39"	35"-39"	24 V.D.C.	\$1,963.00
OP51-0382L/R	35"-39"	35"-39"	48 V.D.C.	\$1,963.00
OP51-0142L/R	35"-39"	35"-39"	110 V.D.C.	\$1,963.00
OP51-0138L/R	35"-39"	35"-39"	120 V.A.C.	\$1,963.00
OP51-0134L/R	35"-39"	35"-39"	240 V.A.C.	\$1,963.00

Part No.	S/S	2/SP	Relay Voltage	List Price
OP51-0375L/R	40"-42"	40"-44"	24 V.A.C.	\$1,963.00
OP51-0379L/R	40"-42"	40"-44"	24 V.D.C.	\$1,963.00
OP51-0383L/R	40"-42"	40"-44"	48 V.D.C.	\$1,963.00
OP51-0143L/R	40"-42"	40"-44"	110 V.D.C.	\$1,963.00
OP51-0139L/R	40"-42"	40"-44"	120 V.A.C.	\$1,963.00
OP51-0135L/R	40"-42"	40"-44"	240 V.A.C.	\$1,963.00
OP51-0376L/R		45"-48"	24 V.A.C.	\$1,963.00
OP51-0380L/R		45"-48"	24 V.D.C.	\$1,963.00
OP51-0384L/R		45"-48"	48 V.D.C.	\$1,963.00
OP51-0144L/R		45"-48"	110 V.D.C.	\$1,963.00
OP51-0140L/R		45"-48"	120 V.A.C.	\$1,963.00
OP51-0136L/R		45"-48"	240 V.A.C.	\$1,963.00

37" Header Height

Part No.	S/S	2/SP	Relay Voltage	List Price
OP51-0385L/R	30"-34"	30"-34"	24 V.A.C.	\$1,963.00
OP51-0389L/R	30"-34"	30"-34"	24 V.D.C.	\$1,963.00
OP51-0393L/R	30"-34"	30"-34"	48 V.D.C.	\$1,963.00
OP51-0153L/R	30"-34"	30"-34"	110 V.D.C.	\$1,963.00
OP51-0149L/R	30"-34"	30"-34"	120 V.A.C.	\$1,963.00
OP51-0145L/R	30"-34"	30"-34"	240 V.A.C.	\$1,963.00
OP51-0386L/R	35"-39"	35"-39"	24 V.A.C.	\$1,963.00
OP51-0390L/R	35"-39"	35"-39"	24 V.D.C.	\$1,963.00
OP51-0394L/R	35"-39"	35"-39"	48 V.D.C.	\$1,963.00
OP51-0154L/R	35"-39"	35"-39"	110 V.D.C.	\$1,963.00
OP51-0150L/R	35"-39"	35"-39"	120 V.A.C.	\$1,963.00
OP51-0146L/R	35"-39"	35"-39"	240 V.A.C.	\$1,963.00

Part No.	S/S	2/SP	Relay Voltage	List Price
OP51-0387L/R	40"-42"	40"-44"	24 V.A.C.	\$1,963.00
OP51-0391L/R	40"-42"	40"-44"	24 V.D.C.	\$1,963.00
OP51-0395L/R	40"-42"	40"-44"	48 V.D.C.	\$1,963.00
OP51-0155L/R	40"-42"	40"-44"	110 V.D.C.	\$1,963.00
OP51-0151L/R	40"-42"	40"-44"	120 V.A.C.	\$1,963.00
OP51-0147L/R	40"-42"	40"-44"	240 V.A.C.	\$1,963.00
OP51-0388L/R		45"-48"	24 V.A.C.	\$1,963.00
OP51-0392L/R		45"-48"	24 V.D.C.	\$1,963.00
OP51-0396L/R		45"-48"	48 V.D.C.	\$1,963.00
OP51-0156L/R		45"-48"	110 V.D.C.	\$1,963.00
OP51-0152L/R		45"-48"	120 V.A.C.	\$1,963.00
OP51-0148L/R		45"-48"	240 V.A.C.	\$1,963.00

41" Header Height

Part No.	S/S	2/SP	Relay Voltage	List Price
OP51-0397L/R	30"-34"	30"-34"	24 V.A.C.	\$1,963.00
OP51-0401L/R	30"-34"	30"-34"	24 V.D.C.	\$1,963.00
OP51-0405L/R	30"-34"	30"-34"	48 V.D.C.	\$1,963.00
OP51-0165L/R	30"-34"	30"-34"	110 V.D.C.	\$1,963.00
OP51-0161L/R	30"-34"	30"-34"	120 V.A.C.	\$1,963.00
OP51-0157L/R	30"-34"	30"-34"	240 V.A.C.	\$1,963.00
OP51-0398L/R	35"-39"	35"-39"	24 V.A.C.	\$1,963.00
OP51-0402L/R	35"-39"	35"-39"	24 V.D.C.	\$1,963.00
OP51-0406L/R	35"-39"	35"-39"	48 V.D.C.	\$1,963.00
OP51-0166L/R	35"-39"	35"-39"	110 V.D.C.	\$1,963.00
OP51-0162L/R	35"-39"	35"-39"	120 V.A.C.	\$1,963.00
OP51-0158L/R	35"-39"	35"-39"	240 V.A.C.	\$1,963.00

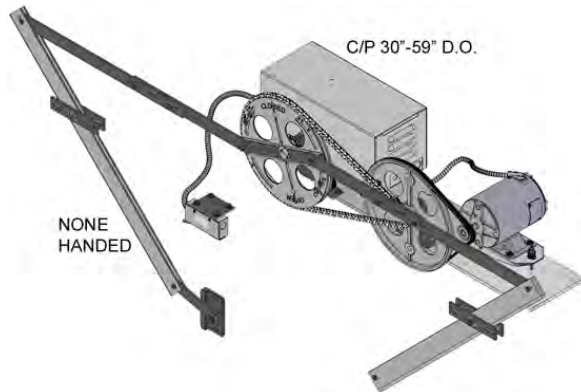
Part No.	S/S	2/SP	Relay Voltage	List Price
OP51-0399L/R	40"-42"	40"-44"	24 V.A.C.	\$1,963.00
OP51-0403L/R	40"-42"	40"-44"	24 V.D.C.	\$1,963.00
OP51-0407L/R	40"-42"	40"-44"	48 V.D.C.	\$1,963.00
OP51-0167L/R	40"-42"	40"-44"	110 V.D.C.	\$1,963.00
OP51-0163L/R	40"-42"	40"-44"	120 V.A.C.	\$1,963.00
OP51-0159L/R	40"-42"	40"-44"	240 V.A.C.	\$1,963.00
OP51-0400L/R		45"-48"	24 V.A.C.	\$1,963.00
OP51-0404L/R		45"-48"	24 V.D.C.	\$1,963.00
OP51-0408L/R		45"-48"	48 V.D.C.	\$1,963.00
OP51-0168L/R		45"-48"	110 V.D.C.	\$1,963.00
OP51-0164L/R		45"-48"	120 V.A.C.	\$1,963.00
OP51-0160L/R		45"-48"	240 V.A.C.	\$1,963.00

DOOR EQUIPMENT

Operator Assemblies

MODCTL - Conventional

Center Parting



Special Note:

- Gate switch (extra charge)
- 120 V.A.C./D.C. is available upon request. Contact G.A.L. sales department.
- Drive arm pivot support brackets for C/P (Part No. OP25-0001N) or 2SP/CP (Part No. OP25-0002N) doors are sold separately

- “MODCTL” operator includes: door drive arm assembly, nudging & gate switch
- Center parting geared car doors replacement for OTIS operators (6970, 7660, 7300, 7770.....) includes drive arm and door link and bracket “OP113”
- Basic operator requires (4) wires excluding open and close relays, open and close limits and gate switch. Nudging requires (1) additional wire
- Up to 1 1/2 foot per second opening
- P.M. motor: 1/6 HP 1140 RPM
- Power supply of 208 to 230 V.A.C./D.C. or 120 V.A.C./D.C.
- Operator wiring diagram L-7632
- CSA Certificate No. LR-1304-27 complies with CAN/CSA-B44.1-M91/ASME-A17.5
- Mounting hardware Part No. OP1-0040N

Center Parting - 220 V.D.C. - Standard

15" Header Height

Part No.	C/P	Relay Voltage	List Price
OP52-0237N	30"-33"	24 V.A.C.	\$2,298.00
OP52-0242N	30"-33"	24 V.D.C.	\$2,298.00
OP52-0247N	30"-33"	48 V.D.C.	\$2,298.00
OP52-0011N	30"-33"	110 V.D.C.	\$2,298.00
OP52-0006N	30"-33"	120 V.A.C.	\$2,298.00
OP52-0001N	30"-33"	240 V.A.C.	\$2,298.00
OP52-0238N	34"-39"	24 V.A.C.	\$2,298.00
OP52-0243N	34"-39"	24 V.D.C.	\$2,298.00
OP52-0248N	34"-39"	48 V.D.C.	\$2,298.00
OP52-0012N	34"-39"	110 V.D.C.	\$2,298.00

Part No.	C/P	Relay Voltage	List Price
OP52-0007N	34"-39"	120 V.A.C.	\$2,298.00
OP52-0002N	34"-39"	240 V.A.C.	\$2,298.00
OP52-0239N	40"-49"	24 V.A.C.	\$2,298.00
OP52-0244N	40"-49"	24 V.D.C.	\$2,298.00
OP52-0249N	40"-49"	48 V.D.C.	\$2,298.00
OP52-0013N	40"-49"	110 V.D.C.	\$2,298.00
OP52-0008N	40"-49"	120 V.A.C.	\$2,298.00
OP52-0003N	40"-49"	240 V.A.C.	\$2,298.00
OP57-0079N	49"	110 V.D.C.	\$2,298.00

17" Header Height

Part No.	C/P	Relay Voltage	List Price
OP57-0080N	50"-51"	110 V.D.C.	\$2,298.00
OP52-0240N	50"-54"	24 V.A.C.	\$2,298.00
OP52-0245N	50"-54"	24 V.D.C.	\$2,298.00
OP52-0250N	50"-54"	48 V.D.C.	\$2,298.00
OP52-0014N	50"-54"	110 V.D.C.	\$2,298.00
OP52-0009N	50"-54"	120 V.A.C.	\$2,298.00
OP52-0004N	50"-54"	240 V.A.C.	\$2,298.00

Part No.	C/P	Relay Voltage	List Price
OP52-0241N	55"-59"	24 V.A.C.	\$2,298.00
OP52-0246N	55"-59"	24 V.D.C.	\$2,298.00
OP52-0251N	55"-59"	48 V.D.C.	\$2,298.00
OP52-0015N	55"-59"	110 V.D.C.	\$2,298.00
OP52-0010N	55"-59"	120 V.A.C.	\$2,298.00
OP52-0005N	55"-59"	240 V.A.C.	\$2,298.00

DOOR EQUIPMENT

Operator Assemblies

MODCTL - Conventional

Operator
Assemblies

Center Parting - 220 V.D.C. - High Cab

19" Header Height

Part No.	C/P	Relay Voltage	List Price
OP52-0267N	30"-33"	24 V.A.C.	\$2,438.00
OP52-0272N	30"-33"	24 V.D.C.	\$2,438.00
OP52-0277N	30"-33"	48 V.D.C.	\$2,438.00
OP52-0041N	30"-33"	110 V.D.C.	\$2,438.00
OP52-0036N	30"-33"	120 V.A.C.	\$2,438.00
OP52-0031N	30"-33"	240 V.A.C.	\$2,438.00
OP52-0268N	34"-39"	24 V.A.C.	\$2,438.00
OP52-0273N	34"-39"	24 V.D.C.	\$2,438.00
OP52-0278N	34"-39"	48 V.D.C.	\$2,438.00
OP52-0042N	34"-39"	110 V.D.C.	\$2,438.00
OP52-0037N	34"-39"	120 V.A.C.	\$2,438.00
OP52-0032N	34"-39"	240 V.A.C.	\$2,438.00
OP52-0269N	40"-44"	24 V.A.C.	\$2,438.00
OP52-0274N	40"-44"	24 V.D.C.	\$2,438.00
OP52-0279N	40"-44"	48 V.D.C.	\$2,438.00

Part No.	C/P	Relay Voltage	List Price
OP52-0043N	40"-44"	110 V.D.C.	\$2,438.00
OP52-0038N	40"-44"	120 V.A.C.	\$2,438.00
OP52-0033N	40"-44"	240 V.A.C.	\$2,438.00
OP52-0270N	45"-49"	24 V.A.C.	\$2,438.00
OP52-0275N	45"-49"	24 V.D.C.	\$2,438.00
OP52-0280N	45"-49"	48 V.D.C.	\$2,438.00
OP52-0044N	45"-49"	110 V.D.C.	\$2,438.00
OP52-0039N	45"-49"	120 V.A.C.	\$2,438.00
OP52-0034N	45"-49"	240 V.A.C.	\$2,438.00
OP52-0271N	50"-53"	24 V.A.C.	\$2,438.00
OP52-0276N	50"-53"	24 V.D.C.	\$2,438.00
OP52-0281N	50"-53"	48 V.D.C.	\$2,438.00
OP52-0045N	50"-53"	110 V.D.C.	\$2,438.00
OP52-0040N	50"-53"	120 V.A.C.	\$2,438.00
OP52-0035N	50"-53"	240 V.A.C.	\$2,438.00

23" Header Height

Part No.	C/P	Relay Voltage	List Price
OP52-0282N	30"-33"	24 V.A.C.	\$2,438.00
OP52-0287N	30"-33"	24 V.D.C.	\$2,438.00
OP52-0292N	30"-33"	48 V.D.C.	\$2,438.00
OP52-0056N	30"-33"	110 V.D.C.	\$2,438.00
OP52-0051N	30"-33"	120 V.A.C.	\$2,438.00
OP52-0046N	30"-33"	240 V.A.C.	\$2,438.00
OP52-0283N	34"-39"	24 V.A.C.	\$2,438.00
OP52-0288N	34"-39"	24 V.D.C.	\$2,438.00
OP52-0293N	34"-39"	48 V.D.C.	\$2,438.00
OP52-0057N	34"-39"	110 V.D.C.	\$2,438.00
OP52-0052N	34"-39"	120 V.A.C.	\$2,438.00
OP52-0047N	34"-39"	240 V.A.C.	\$2,438.00
OP52-0284N	40"-44"	24 V.A.C.	\$2,438.00
OP52-0289N	40"-44"	24 V.D.C.	\$2,438.00
OP52-0294N	40"-44"	48 V.D.C.	\$2,438.00

Part No.	C/P	Relay Voltage	List Price
OP52-0058N	40"-44"	110 V.D.C.	\$2,438.00
OP52-0053N	40"-44"	120 V.A.C.	\$2,438.00
OP52-0048N	40"-44"	240 V.A.C.	\$2,438.00
OP52-0285N	45"-49"	24 V.A.C.	\$2,438.00
OP52-0290N	45"-49"	24 V.D.C.	\$2,438.00
OP52-0295N	45"-49"	48 V.D.C.	\$2,438.00
OP52-0059N	45"-49"	110 V.D.C.	\$2,438.00
OP52-0054N	45"-49"	120 V.A.C.	\$2,438.00
OP52-0049N	45"-49"	240 V.A.C.	\$2,438.00
OP52-0286N	50"-53"	24 V.A.C.	\$2,438.00
OP52-0291N	50"-53"	24 V.D.C.	\$2,438.00
OP52-0296N	50"-53"	48 V.D.C.	\$2,438.00
OP52-0060N	50"-53"	110 V.D.C.	\$2,438.00
OP52-0055N	50"-53"	120 V.A.C.	\$2,438.00
OP52-0050N	50"-53"	240 V.A.C.	\$2,438.00

27" Header Height

Part No.	C/P	Relay Voltage	List Price
OP52-0297N	30"-33"	24 V.A.C.	\$2,438.00
OP52-0301N	30"-33"	24 V.D.C.	\$2,438.00
OP52-0305N	30"-33"	48 V.D.C.	\$2,438.00
OP52-0069N	30"-33"	110 V.D.C.	\$2,438.00
OP52-0065N	30"-33"	120 V.A.C.	\$2,438.00
OP52-0061N	30"-33"	240 V.A.C.	\$2,438.00
OP52-0298N	40"-44"	24 V.A.C.	\$2,438.00
OP52-0302N	40"-44"	24 V.D.C.	\$2,438.00
OP52-0306N	40"-44"	48 V.D.C.	\$2,438.00
OP52-0070N	40"-44"	110 V.D.C.	\$2,438.00
OP52-0066N	40"-44"	120 V.A.C.	\$2,438.00
OP52-0062N	40"-44"	240 V.A.C.	\$2,438.00

Part No.	C/P	Relay Voltage	List Price
OP52-0299N	45"-49"	24 V.A.C.	\$2,438.00
OP52-0303N	45"-49"	24 V.D.C.	\$2,438.00
OP52-0307N	45"-49"	48 V.D.C.	\$2,438.00
OP52-0071N	45"-49"	110 V.D.C.	\$2,438.00
OP52-0067N	45"-49"	120 V.A.C.	\$2,438.00
OP52-0063N	45"-49"	240 V.A.C.	\$2,438.00
OP52-0300N	50"-53"	24 V.A.C.	\$2,438.00
OP52-0304N	50"-53"	24 V.D.C.	\$2,438.00
OP52-0308N	50"-53"	48 V.D.C.	\$2,438.00
OP52-0072N	50"-53"	110 V.D.C.	\$2,438.00
OP52-0068N	50"-53"	120 V.A.C.	\$2,438.00
OP52-0064N	50"-53"	240 V.A.C.	\$2,438.00

DOOR EQUIPMENT

Operator Assemblies

MODCTL - Conventional

Center Parting - 220 V.D.C. - High Cab

31" Header Height

Part No.	C/P	Relay Voltage	List Price
OP52-0309N	30"-33"	24 V.A.C.	\$2,438.00
OP52-0314N	30"-33"	24 V.D.C.	\$2,438.00
OP52-0319N	30"-33"	48 V.D.C.	\$2,438.00
OP52-0078N	30"-33"	120 V.A.C.	\$2,438.00
OP52-0073N	30"-33"	240 V.A.C.	\$2,438.00
OP52-0083N	30"-34"	110 V.D.C.	\$2,438.00
OP52-0310N	34"-39"	24 V.A.C.	\$2,438.00
OP52-0315N	34"-39"	24 V.D.C.	\$2,438.00
OP52-0320N	34"-39"	48 V.D.C.	\$2,438.00
OP52-0084N	34"-39"	110 V.D.C.	\$2,438.00
OP52-0079N	34"-39"	120 V.A.C.	\$2,438.00
OP52-0074N	34"-39"	240 V.A.C.	\$2,438.00
OP52-0311N	40"-44"	24 V.A.C.	\$2,438.00
OP52-0316N	40"-44"	24 V.D.C.	\$2,438.00
OP52-0321N	40"-44"	48 V.D.C.	\$2,438.00

Part No.	C/P	Relay Voltage	List Price
OP52-0085N	40"-44"	110 V.D.C.	\$2,438.00
OP52-0080N	40"-44"	120 V.A.C.	\$2,438.00
OP52-0075N	40"-44"	240 V.A.C.	\$2,438.00
OP52-0312N	45"-49"	24 V.A.C.	\$2,438.00
OP52-0317N	45"-49"	24 V.D.C.	\$2,438.00
OP52-0322N	45"-49"	48 V.D.C.	\$2,438.00
OP52-0086N	45"-49"	110 V.D.C.	\$2,438.00
OP52-0081N	45"-49"	120 V.A.C.	\$2,438.00
OP52-0076N	45"-49"	240 V.A.C.	\$2,438.00
OP52-0313N	50"-53"	24 V.A.C.	\$2,438.00
OP52-0318N	50"-53"	24 V.D.C.	\$2,438.00
OP52-0323N	50"-53"	48 V.D.C.	\$2,438.00
OP52-0087N	50"-53"	110 V.D.C.	\$2,438.00
OP52-0082N	50"-53"	120 V.A.C.	\$2,438.00
OP52-0077N	50"-53"	240 V.A.C.	\$2,438.00

35" Header Height

Part No.	C/P	Relay Voltage	List Price
OP52-0324N	30"-33"	24 V.A.C.	\$2,438.00
OP52-0329N	30"-33"	24 V.D.C.	\$2,438.00
OP52-0334N	30"-33"	48 V.D.C.	\$2,438.00
OP52-0098N	30"-33"	110 V.D.C.	\$2,438.00
OP52-0093N	30"-33"	120 V.A.C.	\$2,438.00
OP52-0088N	30"-33"	240 V.A.C.	\$2,438.00
OP52-0325N	34"-39"	24 V.A.C.	\$2,438.00
OP52-0330N	34"-39"	24 V.D.C.	\$2,438.00
OP52-0335N	34"-39"	48 V.D.C.	\$2,438.00
OP52-0099N	34"-39"	110 V.D.C.	\$2,438.00
OP52-0094N	34"-39"	120 V.A.C.	\$2,438.00
OP52-0089N	34"-39"	240 V.A.C.	\$2,438.00
OP52-0326N	40"-44"	24 V.A.C.	\$2,438.00
OP52-0331N	40"-44"	24 V.D.C.	\$2,438.00
OP52-0336N	40"-44"	48 V.D.C.	\$2,438.00

Part No.	C/P	Relay Voltage	List Price
OP52-0100N	40"-44"	110 V.D.C.	\$2,438.00
OP52-0095N	40"-44"	120 V.A.C.	\$2,438.00
OP52-0090N	40"-44"	240 V.A.C.	\$2,438.00
OP52-0327N	45"-49"	24 V.A.C.	\$2,438.00
OP52-0332N	45"-49"	24 V.D.C.	\$2,438.00
OP52-0337N	45"-49"	48 V.D.C.	\$2,438.00
OP52-0101N	45"-49"	110 V.D.C.	\$2,438.00
OP52-0096N	45"-49"	120 V.A.C.	\$2,438.00
OP52-0091N	45"-49"	240 V.A.C.	\$2,438.00
OP52-0328N	50"-53"	24 V.A.C.	\$2,438.00
OP52-0333N	50"-53"	24 V.D.C.	\$2,438.00
OP52-0338N	50"-53"	48 V.D.C.	\$2,438.00
OP52-0102N	50"-53"	110 V.D.C.	\$2,438.00
OP52-0097N	50"-53"	120 V.A.C.	\$2,438.00
OP52-0092N	50"-53"	240 V.A.C.	\$2,438.00

39" Header Height

Part No.	C/P	Relay Voltage	List Price
OP52-0339N	30"-33"	24 V.A.C.	\$2,438.00
OP52-0344N	30"-33"	24 V.D.C.	\$2,438.00
OP52-0349N	30"-33"	48 V.D.C.	\$2,438.00
OP52-0113N	30"-33"	110 V.D.C.	\$2,438.00
OP52-0108N	30"-33"	120 V.A.C.	\$2,438.00
OP52-0103N	30"-33"	240 V.A.C.	\$2,438.00
OP52-0340N	34"-39"	24 V.A.C.	\$2,438.00
OP52-0345N	34"-39"	24 V.D.C.	\$2,438.00
OP52-0350N	34"-39"	48 V.D.C.	\$2,438.00
OP52-0114N	34"-39"	110 V.D.C.	\$2,438.00
OP52-0109N	34"-39"	120 V.A.C.	\$2,438.00
OP52-0104N	34"-39"	240 V.A.C.	\$2,438.00
OP52-0341N	40"-44"	24 V.A.C.	\$2,438.00
OP52-0346N	40"-44"	24 V.D.C.	\$2,438.00
OP52-0351N	40"-44"	48 V.D.C.	\$2,438.00

Part No.	C/P	Relay Voltage	List Price
OP52-0115N	40"-44"	110 V.D.C.	\$2,438.00
OP52-0110N	40"-44"	120 V.A.C.	\$2,438.00
OP52-0105N	40"-44"	240 V.A.C.	\$2,438.00
OP52-0342N	45"-49"	24 V.A.C.	\$2,438.00
OP52-0347N	45"-49"	24 V.D.C.	\$2,438.00
OP52-0352N	45"-49"	48 V.D.C.	\$2,438.00
OP52-0116N	45"-49"	110 V.D.C.	\$2,438.00
OP52-0111N	45"-49"	120 V.A.C.	\$2,438.00
OP52-0106N	45"-49"	240 V.A.C.	\$2,438.00
OP52-0343N	50"-53"	24 V.A.C.	\$2,438.00
OP52-0348N	50"-53"	24 V.D.C.	\$2,438.00
OP52-0353N	50"-53"	48 V.D.C.	\$2,438.00
OP52-0117N	50"-53"	110 V.D.C.	\$2,438.00
OP52-0112N	50"-53"	120 V.A.C.	\$2,438.00
OP52-0107N	50"-53"	240 V.A.C.	\$2,438.00

DOOR EQUIPMENT

Operator Assemblies

MODCTL - Conventional

Operator
Assemblies

Center Parting - 220 V.D.C. - High Cab

43" Header Height

Part No.	C/P	Relay Voltage	List Price
OP52-0354N	30"-33"	24 V.A.C.	\$2,438.00
OP52-0359N	30"-33"	24 V.D.C.	\$2,438.00
OP52-0364N	30"-33"	48 V.D.C.	\$2,438.00
OP52-0128N	30"-33"	110 V.D.C.	\$2,438.00
OP52-0123N	30"-33"	120 V.A.C.	\$2,438.00
OP52-0118N	30"-33"	240 V.A.C.	\$2,438.00
OP52-0355N	34"-39"	24 V.A.C.	\$2,438.00
OP52-0360N	34"-39"	24 V.D.C.	\$2,438.00
OP52-0365N	34"-39"	48 V.D.C.	\$2,438.00
OP52-0129N	34"-39"	110 V.D.C.	\$2,438.00
OP52-0124N	34"-39"	120 V.A.C.	\$2,438.00
OP52-0119N	34"-39"	240 V.A.C.	\$2,438.00
OP52-0356N	40"-44"	24 V.A.C.	\$2,438.00
OP52-0361N	40"-44"	24 V.D.C.	\$2,438.00
OP52-0366N	40"-44"	48 V.D.C.	\$2,438.00

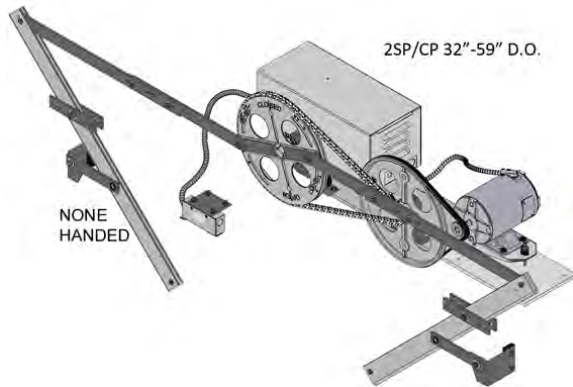
Part No.	C/P	Relay Voltage	List Price
OP52-0130N	40"-44"	110 V.D.C.	\$2,438.00
OP52-0125N	40"-44"	120 V.A.C.	\$2,438.00
OP52-0120N	40"-44"	240 V.A.C.	\$2,438.00
OP52-0357N	45"-49"	24 V.A.C.	\$2,438.00
OP52-0362N	45"-49"	24 V.D.C.	\$2,438.00
OP52-0367N	45"-49"	48 V.D.C.	\$2,438.00
OP52-0131N	45"-49"	110 V.D.C.	\$2,438.00
OP52-0126N	45"-49"	120 V.A.C.	\$2,438.00
OP52-0121N	45"-49"	240 V.A.C.	\$2,438.00
OP52-0358N	50"-53"	24 V.A.C.	\$2,438.00
OP52-0363N	50"-53"	24 V.D.C.	\$2,438.00
OP52-0368N	50"-53"	48 V.D.C.	\$2,438.00
OP52-0132N	50"-53"	110 V.D.C.	\$2,438.00
OP52-0127N	50"-53"	120 V.A.C.	\$2,438.00
OP52-0122N	50"-53"	240 V.A.C.	\$2,438.00

DOOR EQUIPMENT

Operator Assemblies

MODCTL - Conventional

Two Speed Center Parting



Special Note:

- Gate switch (extra charge)
- 120 V.A.C./D.C. is available upon request. Contact G.A.L. sales department.
- Drive arm pivot support brackets for C/P (Part No. OP25-0001N) or 2SP/CP (Part No. OP25-0002N) doors are sold separately

- “MODCTL” operator includes: door drive arm assembly, nudging & gate switch
- Center parting geared car doors replacement for OTIS operators (6970, 7660, 7300, 7770.....) includes drive arm and door link and bracket “OP113”
- Basic operator requires (4) wires excluding open and close relays, open and close limits and gate switch. Nudging requires (1) additional wire
- Up to 1 1/2 foot per second opening
- P.M. motor: 1/6 HP 1140 RPM
- Power supply of 208 to 230 V.A.C./D.C. or 120 V.A.C./D.C.
- Operator wiring diagram L-7632
- CSA Certificate No. LR-1304-27 complies with CAN/CSA-B44.1-M91/ASME-A17.5
- Mounting hardware Part No. OP1-0040N

Two Speed Center Parting - 220 V.D.C. - Standard

15" Header Height

Part No.	2SP/CP	Relay Voltage	List Price
OP57-0071N	32"-33"	110 V.D.C.	\$2,298.00
OP57-0036N	32"-33"	120 V.A.C.	\$2,298.00
OP57-0001N	32"-33"	240 V.A.C.	\$2,298.00
OP57-0072N	34"	110 V.D.C.	\$2,298.00
OP57-0037N	34"	120 V.A.C.	\$2,298.00
OP57-0002N	34"	240 V.A.C.	\$2,298.00
OP57-0073N	35"-37"	110 V.D.C.	\$2,298.00
OP57-0038N	35"-37"	120 V.A.C.	\$2,298.00
OP57-0003N	35"-37"	240 V.A.C.	\$2,298.00
OP57-0074N	38"-39"	110 V.D.C.	\$2,298.00
OP57-0039N	38"-39"	120 V.A.C.	\$2,298.00
OP57-0004N	38"-39"	240 V.A.C.	\$2,298.00
OP57-0075N	40"-41"	110 V.D.C.	\$2,298.00

Part No.	2SP/CP	Relay Voltage	List Price
OP57-0040N	40"-41"	120 V.A.C.	\$2,298.00
OP57-0005N	40"-41"	240 V.A.C.	\$2,298.00
OP57-0076N	42"-44"	110 V.D.C.	\$2,298.00
OP57-0041N	42"-44"	120 V.A.C.	\$2,298.00
OP57-0006N	42"-44"	240 V.A.C.	\$2,298.00
OP57-0077N	45"-46"	110 V.D.C.	\$2,298.00
OP57-0042N	45"-46"	120 V.A.C.	\$2,298.00
OP57-0007N	45"-46"	240 V.A.C.	\$2,298.00
OP57-0078N	47"-48"	110 V.D.C.	\$2,298.00
OP57-0043N	47"-48"	120 V.A.C.	\$2,298.00
OP57-0008N	47"-48"	240 V.A.C.	\$2,298.00
OP57-0044N	49"	120 V.A.C.	\$2,298.00
OP57-0009N	49"	240 V.A.C.	\$2,298.00

17" Header Height

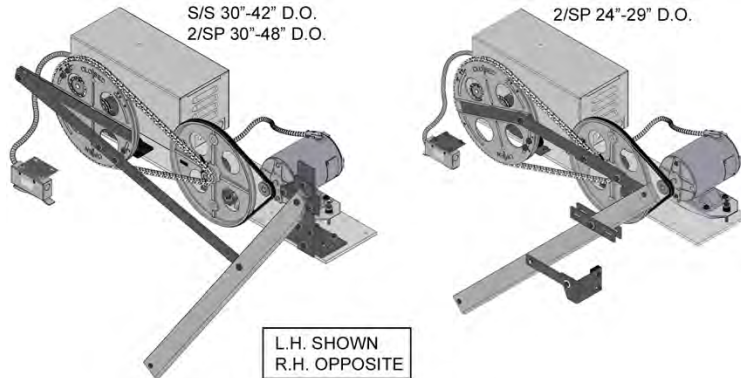
Part No.	2SP/CP	Relay Voltage	List Price
OP57-0045N	50"-51"	120 V.A.C.	\$2,298.00
OP57-0010N	50"-51"	240 V.A.C.	\$2,298.00
OP57-0046N	52"-53"	120 V.A.C.	\$2,298.00
OP57-0011N	52"-53"	240 V.A.C.	\$2,298.00
OP57-0082N	54"	110 V.D.C.	\$2,298.00
OP57-0047N	54"	120 V.A.C.	\$2,298.00
OP57-0012N	54"	240 V.A.C.	\$2,298.00
OP57-0083N	55"-56"	110 V.D.C.	\$2,298.00

Part No.	2SP/CP	Relay Voltage	List Price
OP57-0048N	55"-56"	120 V.A.C.	\$2,298.00
OP57-0013N	55"-56"	240 V.A.C.	\$2,298.00
OP57-0084N	57"-58"	110 V.D.C.	\$2,298.00
OP57-0049N	57"-58"	120 V.A.C.	\$2,298.00
OP57-0014N	57"-58"	240 V.A.C.	\$2,298.00
OP57-0085N	59"	110 V.D.C.	\$2,298.00
OP57-0050N	59"	120 V.A.C.	\$2,298.00
OP57-0015N	59"	240 V.A.C.	\$2,298.00

DOOR EQUIPMENT

Operator Assemblies

MODCTAL - Conventional



Special Note:

- “MODCTAL” operator is used to replace existing A.C. operator and controller that have only 3 wires for control
- Gate switch (**extra charge**)
- 120 V.A.C./D.C. is available upon request. Contact G.A.L. sales department.

- Operator includes: door drive arm assembly, nudging & gate switch
- Two speed small openings 24”-29” includes door drive arm assembly and slow door link & bracket
- Basic operator requires (3) wires excluding open and close relays, open and close limits and gate switch. Nudging requires (1) additional wire
- Up to 1 1/2 foot per second opening
- P.M. motor: 1/6 HP 1140 RPM
- Power supply of 208 to 230 V.A.C./D.C. or 120 V.A.C./D.C.
- Operator wiring diagram L-7548
- CSA Certificate No. LR-1304-27 complies with CAN/CSA-B44.1-M91/ASME-A17.5
- Mounting hardware Part No. OP1-0040N

Single & Two Speed - 220 V.D.C. - Standard

13" Header Height

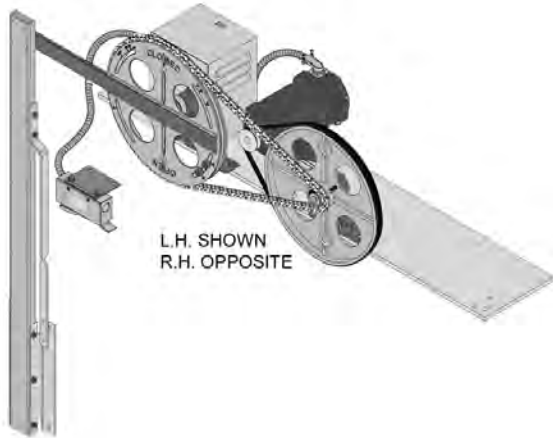
Part No.	S/S	2/SP	Relay Voltage	List Price
OP78-0001L/R	22"-24"		240 V.A.C.	\$1,734.00
OP78-0002L/R	25"-29"		240 V.A.C.	\$1,734.00
OP78-0003L/R	30"-34"	30"-34"	240 V.A.C.	\$1,734.00
OP78-0004L/R	35"-39"	35"-39"	240 V.A.C.	\$1,734.00
OP78-0005L/R	40"-42"	40"-44"	240 V.A.C.	\$1,734.00
OP78-0006L/R		45"-48"	240 V.A.C.	\$1,734.00

Part No.	S/S	2/SP	Relay Voltage	List Price
OP78-0007L/R*		24"	240 V.A.C.	\$1,734.00
OP78-0008L/R*		25"	240 V.A.C.	\$1,734.00
OP78-0009L/R*		26"	240 V.A.C.	\$1,734.00
OP78-0010L/R*		27"	240 V.A.C.	\$1,734.00
OP78-0011L/R*		28"	240 V.A.C.	\$1,734.00
OP78-0012L/R*		29"	240 V.A.C.	\$1,734.00

DOOR EQUIPMENT

Operator Assemblies

MOD-LDC Shoe Drive



- “MOD” Operator includes: crank arm, nudging, gate switch & “LDC” Shoe
- Up to 1 1/2 foot per second opening
- Basic operator requires (5) wires excluding open and close limits and gate switch. Nudging requires (1) additional wire
- P.M. motor: 1/6 HP 1140 RPM
- Power supply of 200 to 300 V.D.C. or 100 to 160 V.D.C.
- Operator wiring diagram L-5836 Rev. L
- CSA Certificate No. LR-1304-27 comply with CAN/CSA-B44.1-M91/ASME-A17.5
- Mounting Hardware PART No. OP1-0040N

Special Note:

- LDC Shoe 36 3/4” Overall. For 41”, 46”, 49” overall shoe contact G.A.L. sales for order detail
- Gate switch (extra charge)

Single, Two, & Three Speed - 220 V.D.C.

Part No.	S/S	2/SP	3/SP	List Price
OP42-0001L/R	26”-31”			\$1,168.00
OP42-0002L/R	32”-37”			\$1,168.00
OP42-0003L/R	38”-43”			\$1,168.00
OP42-0004L/R	44”-49”			\$1,168.00
OP42-0009L/R		26”-31”		\$1,168.00

Part No.	S/S	2/SP	3/SP	List Price
OP42-0010L/R		32”-37”		\$1,168.00
OP42-0011L/R		38”-43”		\$1,168.00
OP42-0012L/R		44”-50”		\$1,168.00
OP81-0001L/R*			30”-69”	\$1,168.00

Single, Two, & Three Speed - 115 V.D.C.

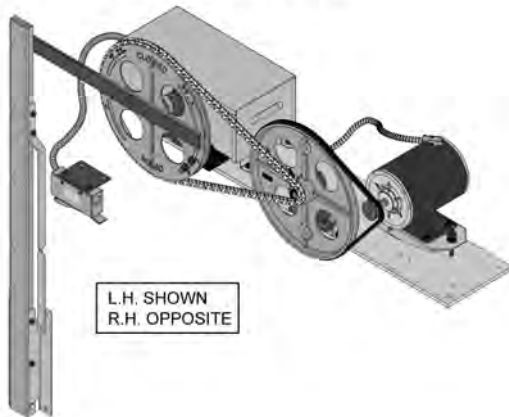
Part No.	S/S	2/SP	3/SP	List Price
OP42-0005L/R	26”-31”			\$1,168.00
OP42-0006L/R	32”-37”			\$1,168.00
OP42-0007L/R	38”-43”			\$1,168.00
OP42-0008L/R	44”-49”			\$1,168.00
OP42-0013L/R		26”-31”		\$1,168.00

Part No.	S/S	2/SP	3/SP	List Price
OP42-0014L/R		32”-37”		\$1,168.00
OP42-0015L/R		38”-43”		\$1,168.00
OP42-0016L/R		44”-50”		\$1,168.00
OP81-0002L/R*			30”-69”	\$1,168.00

DOOR EQUIPMENT

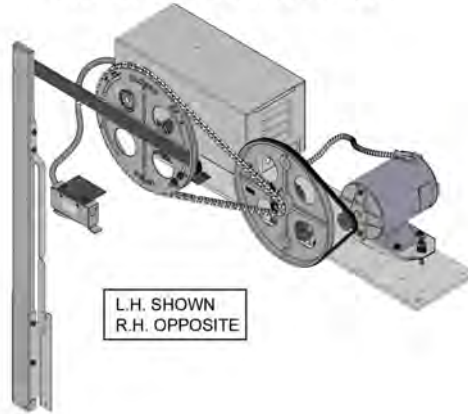
Operator Assemblies

MOVFR-LDC II



L.H. SHOWN
R.H. OPPOSITE

MODCT & MODCTA



L.H. SHOWN
R.H. OPPOSITE

MOVFR-LDC II Shoe Drive

Single Speed - 220 V.A.C. - 1/2 HP Motor

Part No.	S/S	List Price
OP117-0001L/R	26"-49"	\$2,114.00

Two & Three Speed - 220 V.A.C. - 1/2 HP Motor

Part No.	2/SP	3/SP	List Price
OP117-0002L/R	26"-72"	26"-72"	\$2,114.00

MODCT LDC Shoe Drive

Single Speed - 220 V.D.C. - 1/6 HP Motor

Part No.	S/S	Relay Voltage	List Price
OP112-0001L/R*	26"-49"	240 V.A.C.	\$1,762.00

Two Speed - 220 V.D.C. - 1/6 HP Motor

Part No.	2/SP	Relay Voltage	List Price
OP112-0003L/R*	26"-49"	240 V.A.C.	\$1,762.00

MODCTA LDC Shoe Drive

Single & Two Speed - 220 V.D.C. - 1/6 HP Motor

Part No.	S/S	2/SP	Relay Voltage	List Price
OP79-0001L/R*	26"-31"	26"-31"	240 V.A.C.	\$1,804.00
OP79-0002L/R*	32"-37"	32"-37"	240 V.A.C.	\$1,804.00

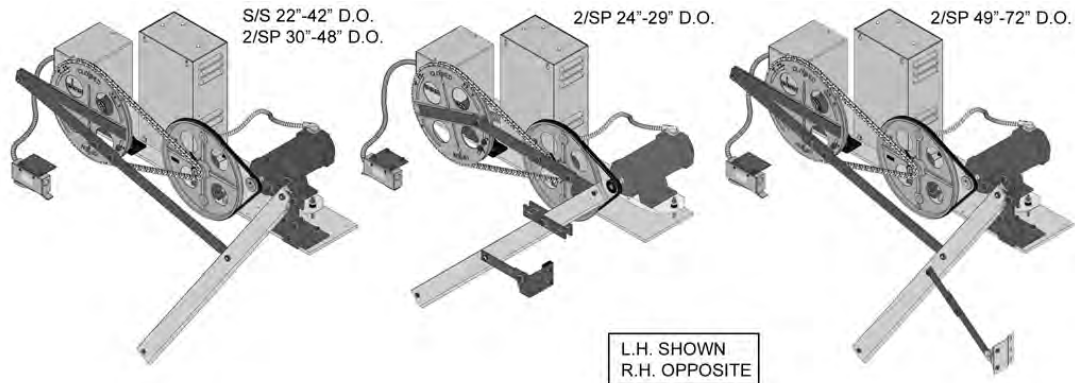
Part No.	S/S	2/SP	Relay Voltage	List Price
OP79-0003L/R*	38"-43"	38"-43"	240 V.A.C.	\$1,804.00
OP79-0004L/R*	44"-49"	44"-49"	240 V.A.C.	\$1,804.00

DOOR EQUIPMENT

Operator Assemblies

MOHL - Conventional

Single & Two Speed



- “MOHL” operator includes: door drive arm assembly, nudging & gate switch
- Up to 3 foot per second opening
- P.M. motor: 1/2 HP 1140 RPM
- Power supply of 200 to 300 V.D.C. or 100 to 160 V.D.C.
- Basic operator requires (10) wires excluding open and close limits and gate switch. Nudging requires (1) additional wire
- Operator wiring diagram S7587-2 Rev. B

- CSA Certificate NO. LR-1304-27 complies with CAN/CSA-B44.1-M91/ASME-A17.5
- Mounting hardware Part No. OP1-0040N

Special Note:

- Gate switch (**extra charge**)
- For 22”-29” D.O. contact G.A.L. sales or engineering department for details.
- 100 to 160 V.D.C. is available upon request. Contact G.A.L. sales department.

Single & Two Speed - 220 V.D.C. - Standard

13" Header Height

Part No.	S/S	2/SP	List Price
OP3-0011L/R	30"-34"	30"-34"	\$1,787.00
OP3-0012L/R	35"-39"	35"-39"	\$1,787.00
OP3-0013L/R	40"-42"	40"-44"	\$1,787.00
OP3-0016L/R	43"-44"		\$1,984.00
OP3-0010L/R	45"-48"		\$1,984.00
OP3-0014L/R		45"-48"	\$1,787.00

15" Header Height

Part No.	2/SP	List Price
OP36-0008L/R	49"-52"	\$1,787.00
OP36-0009L/R	53"-56"	\$1,787.00

17" Header Height

Part No.	2/SP	List Price
OP36-0010L/R	57"-59"	\$1,787.00
OP36-0011L/R	60"	\$1,984.00
OP36-0012L/R	61"-64"	\$1,984.00

19" Header Height

Part No.	2/SP	List Price
OP36-0013L/R	65"-68"	\$1,984.00
OP36-0014L/R	69"-72"	\$1,984.00

DOOR EQUIPMENT

Operator Assemblies

MOHL - Conventional

Operator
Assemblies

Single & Two Speed - 220 V.D.C. - High Cab

17" Header Height

Part No.	S/S	2/SP	List Price
OP3-0141L/R	30"-34"	30"-34"	\$1,843.00
OP3-0142L/R	35"-39"	35"-39"	\$1,843.00
OP3-0143L/R	40"-42"	40"-44"	\$1,843.00
OP3-0144L/R	43"-44"		\$2,040.00
OP3-0145L/R	45"-48"		\$2,040.00
OP3-0146L/R		45"-48"	\$1,843.00

21" Header Height

Part No.	S/S	2/SP	List Price
OP3-0153L/R	30"-34"	30"-34"	\$1,843.00
OP3-0154L/R	35"-39"	35"-39"	\$1,843.00
OP3-0155L/R	40"-42"	40"-44"	\$1,843.00
OP3-0156L/R	43"-44"		\$2,040.00
OP3-0157L/R	45"-48"		\$2,040.00
OP3-0158L/R		45"-48"	\$1,843.00

25" Header Height

Part No.	S/S	2/SP	List Price
OP3-0165L/R	30"-34"	30"-34"	\$1,843.00
OP3-0166L/R	35"-39"	35"-39"	\$1,843.00
OP3-0167L/R	40"-42"	40"-44"	\$1,843.00
OP3-0168L/R	43"-44"		\$2,040.00
OP3-0169L/R	45"-48"		\$2,040.00
OP3-0170L/R		45"-48"	\$1,843.00

29" Header Height

Part No.	S/S	2/SP	List Price
OP3-0177L/R	30"-34"	30"-34"	\$1,843.00
OP3-0178L/R	35"-39"	35"-39"	\$1,843.00
OP3-0179L/R	40"-42"	40"-42"	\$1,843.00
OP3-0180L/R	43"-44"		\$2,040.00
OP3-0181L/R	45"-48"		\$2,040.00
OP3-0182L/R		45"-48"	\$1,843.00

33" Header Height

Part No.	S/S	2/SP	List Price
OP3-0189L/R	30"-34"	30"-34"	\$1,843.00
OP3-0190L/R	35"-39"	35"-39"	\$1,843.00
OP3-0191L/R	40"-42"	40"-44"	\$1,843.00
OP3-0192L/R	43"-44"		\$2,040.00
OP3-0193L/R	45"-48"		\$2,040.00
OP3-0194L/R		45"-48"	\$1,843.00

37" Header Height

Part No.	S/S	2/SP	List Price
OP3-0201L/R	30"-34"	30"-34"	\$1,843.00
OP3-0202L/R	35"-39"	35"-39"	\$1,843.00
OP3-0203L/R	40"-42"	40"-44"	\$1,843.00
OP3-0204L/R	43"-44"		\$2,040.00
OP3-0205L/R	45"-48"		\$2,040.00
OP3-0206L/R		45"-48"	\$1,843.00

41" Header Height

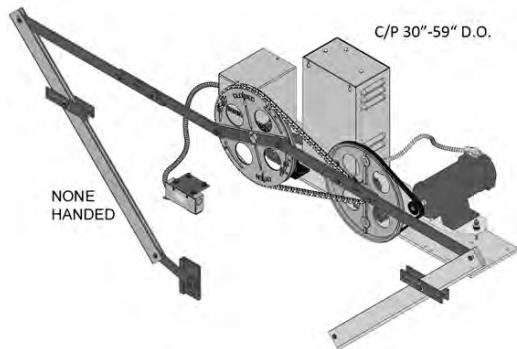
Part No.	S/S	2/SP	List Price
OP3-0213L/R	30"-34"	30"-34"	\$1,843.00
OP3-0214L/R	35"-39"	35"-39"	\$1,843.00
OP3-0215L/R	40"-42"	40"-44"	\$1,843.00
OP3-0216L/R	43"-44"		\$2,040.00
OP3-0217L/R	45"-48"		\$2,040.00
OP3-0218L/R		45"-48"	\$1,843.00

DOOR EQUIPMENT

Operator Assemblies

MOHL - Conventional ("MOML" Replacement)

Center Parting



MOML Operator with 1/4 HP motor has been discontinued. Use MOHL Operator with 1/2 HP motor as replacement.

Special Note:

- Gate switch (extra charge)
- 100 to 160 V.D.C. is available upon request. Contact G.A.L. sales department.
- Drive arm pivot support brackets for C/P (Part No. OP25-0001N) or 2SP/CP (Part No. OP25-0002N) doors are sold separately

- "MOHL" operator includes: door drive arm assembly, nudging & gate switch
- Up to 3 foot per second opening
- Basic operator requires (10) wires excluding open and close limits and gate switch. Nudging requires (1) additional wire

- P.M. motor: 1/2 HP 1140 RPM
- Power supply of 200 to 300 V.D.C. or 100 to 160 V.D.C.
- Operator wiring diagram S7587-2 Rev. B
- CSA Certificate NO. LR-1304-27 complies with CAN/CSA-B44.1-M91/ASME-A17.5
- Mounting hardware Part No. OP1-0040N

Center Parting - 220 V.D.C. - Standard

15" Header Height

Part No.	C/P	List Price
OP4-0005N	30"-33"	\$1,728.00
OP4-0006N	34"-39"	\$1,728.00

Part No.	C/P	List Price
OP4-0007N	40"-49"	\$1,728.00
OP4-0008N	50"-54"	\$1,728.00

Part No.	C/P	List Price
OP4-0010N	55"-59"	\$1,728.00

Center Parting - 220 V.D.C. - High Cab

19" Header Height

Part No.	C/P	List Price
OP4-0089N	30"-33"	\$1,840.00
OP4-0090N	34"-39"	\$1,840.00
OP4-0091N	40"-44"	\$1,840.00
OP4-0092N	45"-49"	\$1,840.00
OP4-0093N	50"-53"	\$1,840.00

23" Header Height

Part No.	C/P	List Price
OP4-0099N	30"-33"	\$1,840.00
OP4-0100N	34"-39"	\$1,840.00
OP4-0101N	40"-44"	\$1,840.00
OP4-0102N	45"-49"	\$1,840.00
OP4-0103N	50"-53"	\$1,840.00

27" Header Height

Part No.	C/P	List Price
OP4-0109N	30"-33"	\$1,840.00
OP4-0110N	40"-44"	\$1,840.00
OP4-0111N	45"-49"	\$1,840.00
OP4-0112N	50"-53"	\$1,840.00

31" Header Height

Part No.	C/P	List Price
OP4-0117N	30"-33"	\$1,840.00
OP4-0118N	34"-39"	\$1,840.00
OP4-0119N	40"-44"	\$1,840.00
OP4-0120N	45"-49"	\$1,840.00
OP4-0121N	50"-53"	\$1,840.00

35" Header Height

Part No.	C/P	List Price
OP4-0127N	30"-33"	\$1,840.00
OP4-0128N	34"-39"	\$1,840.00
OP4-0129N	40"-44"	\$1,840.00
OP4-0130N	45"-49"	\$1,840.00
OP4-0131N	50"-53"	\$1,840.00

39" Header Height

Part No.	C/P	List Price
OP4-0137N	30"-33"	\$1,840.00
OP4-0138N	34"-39"	\$1,840.00
OP4-0139N	40"-44"	\$1,840.00
OP4-0140N	45"-49"	\$1,840.00
OP4-0141N	50"-53"	\$1,840.00

43" Header Height

Part No.	C/P	List Price
OP4-0147N	30"-33"	\$1,840.00
OP4-0148N	34"-39"	\$1,840.00
OP4-0149N	40"-44"	\$1,840.00
OP4-0150N	45"-49"	\$1,840.00
OP4-0151N	50"-53"	\$1,840.00

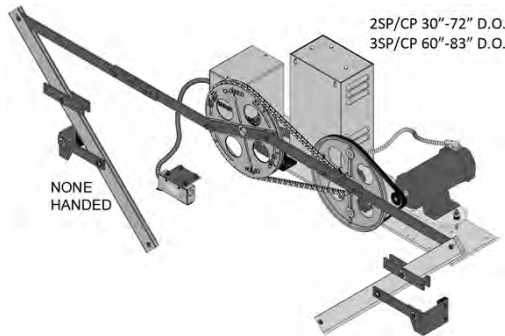
DOOR EQUIPMENT

Operator Assemblies

Operator
Assemblies

MOHL - Conventional ("MOML" Replacement)

Two and Three Speed Center Parting



Special Note:

- Gate switch (extra charge)
- 100 to 160 V.D.C. is available upon request. Contact G.A.L. sales department.
- Drive arm pivot support brackets for C/P (Part No. OP25-0001N) or 2SP/CP (Part No. OP25-0002N) doors are sold separately

- "MOHL" operator includes: door drive arm assembly, nudging & gate switch
- Up to 3 foot per second opening
- Basic operator requires (10) wires excluding open and close limits and gate switch. Nudging requires (1) additional wire
- P.M. motor: 1/2 HP 1140 RPM
- Power supply of 200 to 300 V.D.C. or 100 to 160 V.D.C.
- Operator wiring diagram S7587-2 Rev. B
- CSA Certificate NO. LR-1304-27 complies with CAN/CSA-B44.1-M91/ASME-A17.5
- Mounting hardware Part No. OP1-0040N

Two Speed Center Parting - 220 V.D.C. - Standard

15" Header Height

Part No.	2SP/CP	List Price
OP38-0026N	32"-33"	\$1,728.00
OP38-0027N	34"	\$1,728.00
OP38-0028N	35"-37"	\$1,728.00
OP38-0029N	38"-39"	\$1,728.00
OP38-0030N	40"-41"	\$1,728.00
OP38-0031N	42"-44"	\$1,728.00
OP38-0032N	45"-46"	\$1,728.00
OP38-0033N	47"-48"	\$1,728.00
OP38-0034N	49"	\$1,728.00

17" Header Height

Part No.	2SP/CP	List Price
OP38-0035N	50"-51"	\$1,728.00
OP38-0036N	52"-53"	\$1,728.00
OP38-0037N	54"	\$1,728.00
OP38-0038N	55"-56"	\$1,728.00
OP38-0039N	57"-58"	\$1,728.00
OP38-0040N	59"	\$1,728.00
OP38-0041N	60"	\$1,728.00
OP38-0042N	61"-62"	\$1,728.00
OP38-0043N	63"	\$1,728.00
OP38-0044N	64"	\$1,728.00

19" Header Height

Part No.	2SP/CP	List Price
OP38-0045N	65"	\$1,728.00
OP38-0046N	66"-67"	\$1,728.00
OP38-0047N	68"	\$1,728.00
OP38-0048N	69"	\$1,728.00
OP38-0049N	70"-71"	\$1,728.00
OP38-0050N	72"	\$1,728.00

Three Speed Center Parting - 220 V.D.C. - Standard

15" Header Height

Part No.	3SP/CP	List Price
OP109-0002N*	60"-83"	\$1,779.00

DOOR EQUIPMENT

Operator Assemblies

MOHCTL - Wiring Diagram

IMPORTANT
 ALL CAMS AND RESISTORS ARE FACTORY ADJUSTED. DO NOT CHANGE THE CAM LIMITS OR RESISTOR VALUES. THE MOTOR MUST BE INSTALLED, TESTED, AND MAINTAINED TO COMPLY WITH ALL FEDERAL, STATE AND LOCAL CODES.

NOTES
 1-DOOR CLOSE RELAY (CA) MUST BE KEPT ENERGIZED WHEN ELEVATORS IS IN THE RUN MODE.
 2-DOOR CLOSE LIMIT (CL) IS NOT PROVIDED WITH PANEL OPERATOR.
 3-FOR ATTENDANT OPERATION CONNECT N.O. AT CONTACT ADDRESS TERMINALS 6 AND 8.

LEGEND
 RELAYS
 CA DOOR CLOSE
 OA DOOR OPEN
 RS REDUCED SPEED CLOSING(MODING)
 LIMITS
 CL DOOR CLOSE
 OC DOOR OPEN
 SDC SLOWDOWN CLOSE
 SDO SLOWDOWN OPEN
 HSC HIGH SPEED CLOSE
 HSO HIGH SPEED OPEN
 WIRING SYMBOLS
 ○ --- FIELD WIRING TO OR ON ELEVATOR CONTROLLER
 □ --- FACTORY WIRING BETWEEN CAR TOP COMPONENTS
 ○ --- OPTIONAL FIELD WIRING
 ○ --- CAM CONTACT
 ○ --- RESISTOR TUBE (SEE BELOW FOR RESISTOR ADJUSTMENTS)

RESISTOR TUBES
 R2, R3 - 200 WATT; R5, R6 - 150 WATT
 R1 - 120 VOLTS
 R2 - 250 VOLTS
 R3 - 50 OHM
 R4 - 250 OHM
 R5 - 100 OHM
 R6 - 300 OHM

AVAILABLE RELAY COIL VOLTAGES:
 6, 12, 24, 120, 240 VAC
 6, 12, 24, 48, 110 VDC

RESISTOR TUBE SPEED ADJUSTMENTS
 FASTER SPEED
 TO INCREASE SPEED, MOVE BAND IN DIRECTION OF ARROW

RESISTOR TUBE LEGEND
 R2 --- CLOSING SPEED BAND
 R3 --- OPENING SPEED BAND
 R5 --- HIGH SPEED CLOSE BAND
 R6 --- HIGH SPEED OPEN BAND
 R4 --- SLOWDOWN OPEN BANDS
 R1 --- SLOWDOWN CLOSE BANDS
 R3 --- REDUCED SPEED CLOSING BAND(MODING)

RESISTOR TUBE LEGEND
 R2 --- CLOSING SPEED BAND
 R3 --- OPENING SPEED BAND
 R5 --- HIGH SPEED CLOSE BAND
 R6 --- HIGH SPEED OPEN BAND
 R4 --- SLOWDOWN OPEN BANDS
 R1 --- SLOWDOWN CLOSE BANDS
 R3 --- REDUCED SPEED CLOSING BAND(MODING)

G.A.L. MANUFACTURING CORP.
 80 E. 158th STREET BRONX, N.Y. 10461
 MOHCTL AND MOHCT DOOR OPERATOR
 120 VOLT OR 208/230 VOLT AC OR DC
 SCALE 1:1-22-96
 DATE 7/05 MOH
 No. | REVISION | DATE | CH'X. | CH'Y. | BY | A.A. | 7774

METHOD # 2
 1-CONNECT TO ISOLATED CONTACTS OF ELEVATOR RELAY COILS OR TO MICROPROCESSOR OUTPUT.
 2-ADVISE RELAY COIL VOLTAGE AND AC OR DC. (SEE LEGEND FOR AVAILABLE VOLTAGES)

METHOD # 3
 CONNECT TO DOOR MOTOR FUSES ON AS SHOWN ON METHOD # 1

SUGGESTED WIRING OF THE DOOR CLOSE AND DOOR OPEN LIMITS WHEN THE EXISTING CONTROLLER HAS A SINGLE DOOR CONTROL RELAY (THE "RUN" CONTACT ACROSS THE DOOR CLOSE RELAY WHEN THE ELEVATOR IS IN THE RUN MODE.)

DOOR LIMITS
 DCL DOOR CLOSE LIMIT
 DOL DOOR OPEN LIMIT
 DOL* AUX. DOOR CLOSE LIMIT
 DOL* AUX. DOOR OPEN LIMIT
 DPM MICROSWITCH

STANDARD SWITCHES
 DCL DOOR CLOSE LIMIT
 DOL DOOR OPEN LIMIT
 DOL* AUX. DOOR CLOSE LIMIT
 DOL* AUX. DOOR OPEN LIMIT
 GS GATE SWITCH
 GS1 GATE SWITCH

POSITIONS OF OPERATOR CRANK ARM
 FINAL POSITION OF ARM WILL CHANGE AND THE INTERMEDIATE POINTS WILL CHANGE ACCORDINGLY.
 RIGHT HAND CLOSING
 RIGHT HAND OPENING
 LEFT HAND CLOSING
 LEFT HAND OPENING

TYPE OPERATOR ARRANGEMENT SHOWN FOR OTHER ARRANGEMENTS THE FINAL POSITION OF THE ARM WILL CHANGE AND THE INTERMEDIATE POINTS WILL CHANGE ACCORDINGLY.

RIGHT HAND CLOSING
 DOOR FULLY OPEN
 SDC CONTACT 1 HELD CLOSED BY SLOW START CAM PERMITS SDC START CAM PERMITS SDC CONTACT 1 TO OPEN AND CLOSING HSC CONTACTS AND CLOSING SDC CONTACT 2
 4th SLOWDOWN CLOSES SDC CONTACT 4
 3rd SLOWDOWN CLOSES SDC CONTACT 3
 2nd SLOWDOWN CLOSES SDC CONTACT 2

RIGHT HAND OPENING
 DOOR FULLY OPEN
 SDC CONTACT 1 HELD CLOSED BY SLOW START CAM PERMITS SDC START CAM PERMITS SDC CONTACT 1 TO OPEN AND CLOSING HSC CONTACTS AND CLOSING SDC CONTACT 2
 4th SLOWDOWN CLOSES SDC CONTACT 4
 3rd SLOWDOWN CLOSES SDC CONTACT 3
 2nd SLOWDOWN CLOSES SDC CONTACT 2

LEFT HAND CLOSING
 DOOR FULLY OPEN
 SDC CONTACT 1 HELD CLOSED BY SLOW START CAM PERMITS SDC START CAM PERMITS SDC CONTACT 1 TO OPEN AND CLOSING HSC CONTACTS AND CLOSING SDC CONTACT 2
 4th SLOWDOWN CLOSES SDC CONTACT 4
 3rd SLOWDOWN CLOSES SDC CONTACT 3
 2nd SLOWDOWN CLOSES SDC CONTACT 2

LEFT HAND OPENING
 DOOR FULLY OPEN
 SDC CONTACT 1 HELD CLOSED BY SLOW START CAM PERMITS SDC START CAM PERMITS SDC CONTACT 1 TO OPEN AND CLOSING HSC CONTACTS AND CLOSING SDC CONTACT 2
 4th SLOWDOWN CLOSES SDC CONTACT 4
 3rd SLOWDOWN CLOSES SDC CONTACT 3
 2nd SLOWDOWN CLOSES SDC CONTACT 2

120 VOLTS, 208/230 VOLTS, AC OR DC 350 VA
 1 AMP (150 V)
 1 AMP (230 V)
 1 AMP (150 V)
 1 AMP (230 V)

COMPONENTS:
 MOVZ MOVZ
 SWP SWP
 SW2 SW2
 SW1 SW1
 FU1 FU1
 FU2 FU2
 MOV1 MOV1
 MOV2 MOV2
 TRV TRV
 C1 C1
 C2 C2
 C3 C3
 C4 C4
 C5 C5
 C6 C6
 C7 C7
 C8 C8
 C9 C9
 C10 C10
 R1 R1
 R2 R2
 R3 R3
 R4 R4
 R5 R5
 R6 R6
 R7 R7
 R8 R8
 R9 R9
 R10 R10
 OA OA
 OC OC
 SDC SDC
 SDO SDO
 HSC HSC
 HSO HSO
 CL CL
 OC OC
 GS GS
 GS1 GS1
 DCL DCL
 DOL DOL
 DOL* DOL*
 DPM DPM
 CA CA
 OA OA
 RS RS

SHALL BE CLOSED DOOR
 28 V - 230 V MOTOR
 8 V = 113 V MOTOR

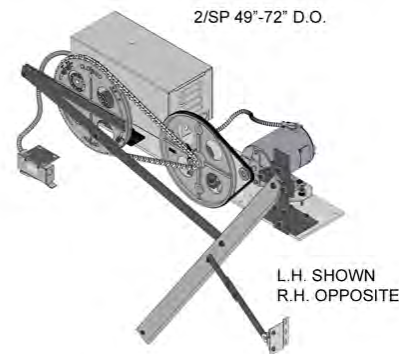
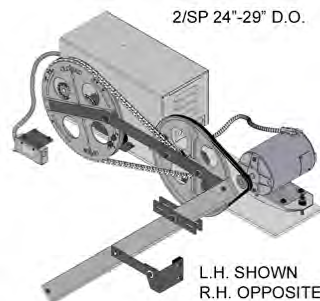
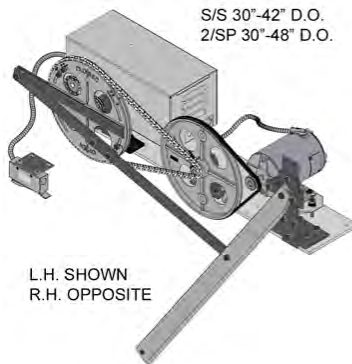
DOOR EQUIPMENT

Operator Assemblies

MOHCTL - Conventional

Operator Assemblies

Single & Two Speed



- "MOHCTL" operator includes: door drive arm assembly, nudging & gate switch
- Up to 3 foot per second opening
- P.M. motor: 1/2 HP 1140 RPM
- Power supply of 208 to 230 V.A.C./D.C. or 120 V.A.C./D.C.
- Basic operator requires (4) wires excluding open and close relays, open and close limits and gate switch. Nudging requires (1) additional wire
- Operator wiring diagram 7774

- CSA Certificate NO. LR-1304-27 complies with CAN/CSA-B44.1-M91/ASME-A17.5

Special Note:

- Gate switch (extra charge)
- For 22"-29" D.O. contact G.A.L. sales or engineering department for details.
- 120 V.A.C./D.C. is available upon request. Contact G.A.L. sales department.

Single & Two Speed - 220 V.D.C. - Standard

13" Header Height

Part No.	S/S	2/SP	Relay Voltage	List Price
OP53-0067L/R	30"-34"	30"-34"	110 V.D.C.	\$2,486.00
OP53-0059L/R	30"-34"	30"-34"	120 V.A.C.	\$2,486.00
OP53-0051L/R	30"-34"	30"-34"	240 V.A.C.	\$2,486.00
OP53-0068L/R	35"-39"	35"-39"	110 V.D.C.	\$2,486.00
OP53-0060L/R	35"-39"	35"-39"	120 V.A.C.	\$2,486.00
OP53-0052L/R	35"-39"	35"-39"	240 V.A.C.	\$2,486.00
OP53-0069L/R	40"-42"	40"-44"	110 V.D.C.	\$2,486.00
OP53-0061L/R	40"-42"	40"-44"	120 V.A.C.	\$2,486.00
OP53-0053L/R	40"-42"	40"-44"	240 V.A.C.	\$2,486.00

Part No.	S/S	2/SP	Relay Voltage	List Price
OP53-0070L/R	43"-44"		110 V.D.C.	\$2,683.00
OP53-0062L/R	43"-44"		120 V.A.C.	\$2,683.00
OP53-0054L/R	43"-44"		240 V.A.C.	\$2,683.00
OP53-0071L/R	45"-48"		110 V.D.C.	\$2,683.00
OP53-0063L/R	45"-48"		120 V.A.C.	\$2,683.00
OP53-0055L/R	45"-48"		240 V.A.C.	\$2,683.00
OP53-0072L/R		45"-48"	110 V.D.C.	\$2,486.00
OP53-0064L/R		45"-48"	120 V.A.C.	\$2,486.00
OP53-0056L/R		45"-48"	240 V.A.C.	\$2,486.00

15" Header Height

Part No.	2/SP	Relay Voltage	List Price
OP56-0057L/R	49"-52"	110 V.D.C.	\$2,486.00
OP56-0050L/R	49"-52"	120 V.A.C.	\$2,486.00
OP56-0043L/R	49"-52"	240 V.A.C.	\$2,486.00

Part No.	2/SP	Relay Voltage	List Price
OP56-0058L/R	53"-56"	110 V.D.C.	\$2,486.00
OP56-0051L/R	53"-56"	120 V.A.C.	\$2,486.00
OP56-0044L/R	53"-56"	240 V.A.C.	\$2,486.00

17" Header Height

Part No.	2/SP	Relay Voltage	List Price
OP56-0059L/R	57"-59"	110 V.D.C.	\$2,486.00
OP56-0052L/R	57"-59"	120 V.A.C.	\$2,486.00
OP56-0045L/R	57"-59"	240 V.A.C.	\$2,486.00
OP56-0060L/R	60"	110 V.D.C.	\$2,683.00
OP56-0053L/R	60"	120 V.A.C.	\$2,683.00

Part No.	2/SP	Relay Voltage	List Price
OP56-0046L/R	60"	240 V.A.C.	\$2,683.00
OP56-0061L/R	61"-64"	110 V.D.C.	\$2,683.00
OP56-0054L/R	61"-64"	120 V.A.C.	\$2,683.00
OP56-0047L/R	61"-64"	240 V.A.C.	\$2,683.00

DOOR EQUIPMENT

Operator Assemblies

MOHCTL - Conventional

Single & Two Speed - 220 V.D.C. - Standard

19" Header Height

Part No.	2/SP	Relay Voltage	List Price
OP56-0062L/R	65"-68"	110 V.D.C.	\$2,683.00
OP56-0055L/R	65"-68"	120 V.A.C.	\$2,683.00
OP56-0048L/R	65"-68"	240 V.A.C.	\$2,683.00

Part No.	2/SP	Relay Voltage	List Price
OP56-0063L/R	69"-72"	110 V.D.C.	\$2,683.00
OP56-0056L/R	69"-72"	120 V.A.C.	\$2,683.00
OP56-0049L/R	69"-72"	240 V.A.C.	\$2,683.00

Single & Two Speed - 220 V.D.C. - High Cab

17" Header Height

Part No.	S/S	2/SP	Relay Voltage	List Price
OP53-0433L/R	30"-34"	30"-34"	110 V.D.C.	\$2,542.00
OP53-0427L/R	30"-34"	30"-34"	120 V.A.C.	\$2,542.00
OP53-0421L/R	30"-34"	30"-34"	240 V.A.C.	\$2,542.00
OP53-0434L/R	35"-39"	35"-39"	110 V.D.C.	\$2,542.00
OP53-0428L/R	35"-39"	35"-39"	120 V.A.C.	\$2,542.00
OP53-0422L/R	35"-39"	35"-39"	240 V.A.C.	\$2,542.00
OP53-0435L/R	40"-42"	40"-44"	110 V.D.C.	\$2,542.00
OP53-0429L/R	40"-42"	40"-44"	120 V.A.C.	\$2,542.00
OP53-0423L/R	40"-42"	40"-44"	240 V.A.C.	\$2,542.00

Part No.	S/S	2/SP	Relay Voltage	List Price
OP53-0436L/R	43"-44"		110 V.D.C.	\$2,721.00
OP53-0430L/R	43"-44"		120 V.A.C.	\$2,721.00
OP53-0424L/R	43"-44"		240 V.A.C.	\$2,721.00
OP53-0437L/R	45"-48"		110 V.D.C.	\$2,721.00
OP53-0431L/R	45"-48"		120 V.A.C.	\$2,721.00
OP53-0425L/R	45"-48"		240 V.A.C.	\$2,721.00
OP53-0438L/R		45"-48"	110 V.D.C.	\$2,542.00
OP53-0432L/R		45"-48"	120 V.A.C.	\$2,542.00
OP53-0426L/R		45"-48"	240 V.A.C.	\$2,542.00

21" Header Height

Part No.	S/S	2/SP	Relay Voltage	List Price
OP53-0451L/R	30"-34"	30"-34"	110 V.D.C.	\$2,542.00
OP53-0445L/R	30"-34"	30"-34"	120 V.A.C.	\$2,542.00
OP53-0439L/R	30"-34"	30"-34"	240 V.A.C.	\$2,542.00
OP53-0452L/R	35"-39"	35"-39"	110 V.D.C.	\$2,542.00
OP53-0446L/R	35"-39"	35"-39"	120 V.A.C.	\$2,542.00
OP53-0440L/R	35"-39"	35"-39"	240 V.A.C.	\$2,542.00
OP53-0453L/R	40"-42"	40"-44"	110 V.D.C.	\$2,542.00
OP53-0447L/R	40"-42"	40"-44"	120 V.A.C.	\$2,542.00
OP53-0441L/R	40"-42"	40"-44"	240 V.A.C.	\$2,542.00

Part No.	S/S	2/SP	Relay Voltage	List Price
OP53-0454L/R	43"-44"		110 V.D.C.	\$2,721.00
OP53-0448L/R	43"-44"		120 V.A.C.	\$2,721.00
OP53-0442L/R	43"-44"		240 V.A.C.	\$2,721.00
OP53-0455L/R	45"-48"		110 V.D.C.	\$2,721.00
OP53-0449L/R	45"-48"		120 V.A.C.	\$2,721.00
OP53-0443L/R	45"-48"		240 V.A.C.	\$2,721.00
OP53-0456L/R		45"-48"	110 V.D.C.	\$2,542.00
OP53-0450L/R		45"-48"	120 V.A.C.	\$2,542.00
OP53-0444L/R		45"-48"	240 V.A.C.	\$2,542.00

25" Header Height

Part No.	S/S	2/SP	Relay Voltage	List Price
OP53-0469L/R	30"-34"	30"-34"	110 V.D.C.	\$2,542.00
OP53-0463L/R	30"-34"	30"-34"	120 V.A.C.	\$2,542.00
OP53-0457L/R	30"-34"	30"-34"	240 V.A.C.	\$2,542.00
OP53-0470L/R	35"-39"	35"-39"	110 V.D.C.	\$2,542.00
OP53-0464L/R	35"-39"	35"-39"	120 V.A.C.	\$2,542.00
OP53-0458L/R	35"-39"	35"-39"	240 V.A.C.	\$2,542.00
OP53-0471L/R	40"-42"	40"-44"	110 V.D.C.	\$2,542.00
OP53-0465L/R	40"-42"	40"-44"	120 V.A.C.	\$2,542.00
OP53-0459L/R	40"-42"	40"-44"	240 V.A.C.	\$2,542.00

Part No.	S/S	2/SP	Relay Voltage	List Price
OP53-0472L/R	43"-44"		110 V.D.C.	\$2,721.00
OP53-0466L/R	43"-44"		120 V.A.C.	\$2,721.00
OP53-0460L/R	43"-44"		240 V.A.C.	\$2,721.00
OP53-0473L/R	45"-48"		110 V.D.C.	\$2,721.00
OP53-0467L/R	45"-48"		120 V.A.C.	\$2,721.00
OP53-0461L/R	45"-48"		240 V.A.C.	\$2,721.00
OP53-0474L/R		45"-48"	110 V.D.C.	\$2,542.00
OP53-0468L/R		45"-48"	120 V.A.C.	\$2,542.00
OP53-0462L/R		45"-48"	240 V.A.C.	\$2,542.00

DOOR EQUIPMENT

Operator Assemblies

MOHCTL - Conventional

Operator
Assemblies

Single & Two Speed - 220 V.D.C. - High Cab

29" Header Height

Part No.	S/S	2/SP	Relay Voltage	List Price
OP53-0487L/R	30"-34"	30"-34"	110 V.D.C.	\$2,542.00
OP53-0481L/R	30"-34"	30"-34"	120 V.A.C.	\$2,542.00
OP53-0475L/R	30"-34"	30"-34"	240 V.A.C.	\$2,542.00
OP53-0488L/R	35"-39"	35"-39"	110 V.D.C.	\$2,542.00
OP53-0482L/R	35"-39"	35"-39"	120 V.A.C.	\$2,542.00
OP53-0476L/R	35"-39"	35"-39"	240 V.A.C.	\$2,542.00
OP53-0489L/R	40"-42"	40"-44"	110 V.D.C.	\$2,542.00
OP53-0483L/R	40"-42"	40"-44"	120 V.A.C.	\$2,542.00
OP53-0477L/R	40"-42"	40"-44"	240 V.A.C.	\$2,542.00

Part No.	S/S	2/SP	Relay Voltage	List Price
OP53-0490L/R	43"-44"		110 V.D.C.	\$2,721.00
OP53-0484L/R	43"-44"		120 V.A.C.	\$2,721.00
OP53-0478L/R	43"-44"		240 V.A.C.	\$2,721.00
OP53-0491L/R	45"-48"		110 V.D.C.	\$2,721.00
OP53-0485L/R	45"-48"		120 V.A.C.	\$2,721.00
OP53-0479L/R	45"-48"		240 V.A.C.	\$2,721.00
OP53-0492L/R		45"-48"	110 V.D.C.	\$2,542.00
OP53-0486L/R		45"-48"	120 V.A.C.	\$2,542.00
OP53-0480L/R		45"-48"	240 V.A.C.	\$2,542.00

33" Header Height

Part No.	S/S	2/SP	Relay Voltage	List Price
OP53-0505L/R	30"-34"	30"-34"	110 V.D.C.	\$2,542.00
OP53-0499L/R	30"-34"	30"-34"	120 V.A.C.	\$2,542.00
OP53-0493L/R	30"-34"	30"-34"	240 V.A.C.	\$2,542.00
OP53-0506L/R	35"-39"	35"-39"	110 V.D.C.	\$2,542.00
OP53-0500L/R	35"-39"	35"-39"	120 V.A.C.	\$2,542.00
OP53-0494L/R	35"-39"	35"-39"	240 V.A.C.	\$2,542.00
OP53-0507L/R	40"-42"	40"-44"	110 V.D.C.	\$2,542.00
OP53-0501L/R	40"-42"	40"-44"	120 V.A.C.	\$2,542.00
OP53-0495L/R	40"-42"	40"-44"	240 V.A.C.	\$2,542.00

Part No.	S/S	2/SP	Relay Voltage	List Price
OP53-0508L/R	43"-44"		110 V.D.C.	\$2,721.00
OP53-0502L/R	43"-44"		120 V.A.C.	\$2,721.00
OP53-0496L/R	43"-44"		240 V.A.C.	\$2,721.00
OP53-0509L/R	45"-48"		110 V.D.C.	\$2,721.00
OP53-0503L/R	45"-48"		120 V.A.C.	\$2,721.00
OP53-0497L/R	45"-48"		240 V.A.C.	\$2,721.00
OP53-0510L/R		45"-48"	110 V.D.C.	\$2,542.00
OP53-0504L/R		45"-48"	120 V.A.C.	\$2,542.00
OP53-0498L/R		45"-48"	240 V.A.C.	\$2,542.00

37" Header Height

Part No.	S/S	2/SP	Relay Voltage	List Price
OP53-0523L/R	30"-34"	30"-34"	110 V.D.C.	\$2,542.00
OP53-0517L/R	30"-34"	30"-34"	120 V.A.C.	\$2,542.00
OP53-0511L/R	30"-34"	30"-34"	240 V.A.C.	\$2,542.00
OP53-0524L/R	35"-39"	35"-39"	110 V.D.C.	\$2,542.00
OP53-0518L/R	35"-39"	35"-39"	120 V.A.C.	\$2,542.00
OP53-0512L/R	35"-39"	35"-39"	240 V.A.C.	\$2,542.00
OP53-0525L/R	40"-42"	40"-44"	110 V.D.C.	\$2,542.00
OP53-0519L/R	40"-42"	40"-44"	120 V.A.C.	\$2,542.00
OP53-0513L/R	40"-42"	40"-44"	240 V.A.C.	\$2,542.00

Part No.	S/S	2/SP	Relay Voltage	List Price
OP53-0526L/R	43"-44"		110 V.D.C.	\$2,721.00
OP53-0520L/R	43"-44"		120 V.A.C.	\$2,721.00
OP53-0514L/R	43"-44"		240 V.A.C.	\$2,721.00
OP53-0527L/R	45"-48"		110 V.D.C.	\$2,721.00
OP53-0521L/R	45"-48"		120 V.A.C.	\$2,721.00
OP53-0515L/R	45"-48"		240 V.A.C.	\$2,721.00
OP53-0528L/R		45"-48"	110 V.D.C.	\$2,542.00
OP53-0522L/R		45"-48"	120 V.A.C.	\$2,542.00
OP53-0516L/R		45"-48"	240 V.A.C.	\$2,542.00

41" Header Height

Part No.	S/S	2/SP	Relay Voltage	List Price
OP53-0541L/R	30"-34"	30"-34"	110 V.D.C.	\$2,542.00
OP53-0535L/R	30"-34"	30"-34"	120 V.A.C.	\$2,542.00
OP53-0529L/R	30"-34"	30"-34"	240 V.A.C.	\$2,542.00
OP53-0542L/R	35"-39"	35"-39"	110 V.D.C.	\$2,542.00
OP53-0536L/R	35"-39"	35"-39"	120 V.A.C.	\$2,542.00
OP53-0530L/R	35"-39"	35"-39"	240 V.A.C.	\$2,542.00
OP53-0543L/R	40"-42"	40"-44"	110 V.D.C.	\$2,542.00
OP53-0537L/R	40"-42"	40"-44"	120 V.A.C.	\$2,542.00
OP53-0531L/R	40"-42"	40"-44"	240 V.A.C.	\$2,542.00

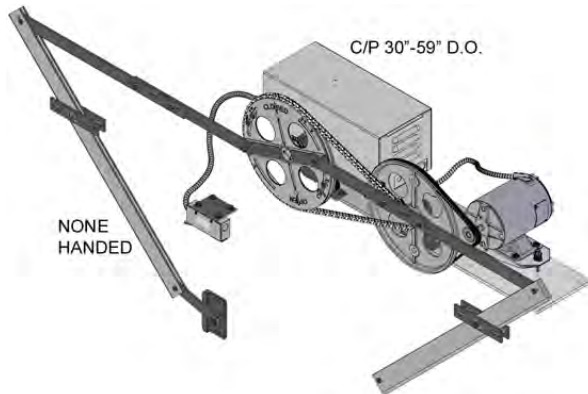
Part No.	S/S	2/SP	Relay Voltage	List Price
OP53-0544L/R	43"-44"		110 V.D.C.	\$2,721.00
OP53-0538L/R	43"-44"		120 V.A.C.	\$2,721.00
OP53-0532L/R	43"-44"		240 V.A.C.	\$2,721.00
OP53-0545L/R	45"-48"		110 V.D.C.	\$2,721.00
OP53-0539L/R	45"-48"		120 V.A.C.	\$2,721.00
OP53-0533L/R	45"-48"		240 V.A.C.	\$2,721.00
OP53-0546L/R		45"-48"	110 V.D.C.	\$2,542.00
OP53-0540L/R		45"-48"	120 V.A.C.	\$2,542.00
OP53-0534L/R		45"-48"	240 V.A.C.	\$2,542.00

DOOR EQUIPMENT

Operator Assemblies

MOHCTL - Conventional

Center Parting



Special Note:

- Gate switch (extra charge)
- 120 V.A.C./D.C.. is available upon request. Contact G.A.L. sales department.
- Drive arm pivot support brackets for C/P (Part No. OP25-0001N) or 2SP/CP (Part No. OP25-0002N) doors are sold separately

- “MOHCTL” operator includes: door drive arm assembly, nudging & gate switch
- Up to 3 foot per second opening
- P.M. motor: 1/2 HP 1140 RPM
- Power supply of 208 to 230 V.A.C./D.C. or 120 V.A.C./D.C.
- Basic operator requires (4) wires excluding open and close relays, open and close limits and gate switch. Nudging requires (1) additional wire
- Operator wiring diagram 7774
- CSA Certificate NO. LR-1304-27 complies with CAN/CSA-B44.1-M91/ASME-A17.5

Center Parting - 220 V.D.C. - Standard

15" Header Height

Part No.	C/P	Relay Voltage	List Price
OP54-0041N	30"-33"	110 V.D.C.	\$2,364.00
OP54-0036N	30"-33"	120 V.A.C.	\$2,364.00
OP54-0031N	30"-33"	240 V.A.C.	\$2,364.00
OP54-0042N	34"-39"	110 V.D.C.	\$2,364.00
OP54-0037N	34"-39"	120 V.A.C.	\$2,364.00

Part No.	C/P	Relay Voltage	List Price
OP54-0032N	34"-39"	240 V.A.C.	\$2,364.00
OP54-0043N	40"-49"	110 V.D.C.	\$2,364.00
OP54-0038N	40"-49"	120 V.A.C.	\$2,364.00
OP54-0033N	40"-49"	240 V.A.C.	\$2,364.00

17" Header Height

Part No.	C/P	Relay Voltage	List Price
OP54-0044N	50"-54"	110 V.D.C.	\$2,364.00
OP54-0039N	50"-54"	120 V.A.C.	\$2,364.00
OP54-0034N	50"-54"	240 V.A.C.	\$2,364.00

Part No.	C/P	Relay Voltage	List Price
OP54-0045N	55"-59"	110 V.D.C.	\$2,364.00
OP54-0040N	55"-59"	120 V.A.C.	\$2,364.00
OP54-0035N	55"-59"	240 V.A.C.	\$2,364.00

Center Parting - 220 V.D.C. - High Cab

19" Header Height

Part No.	C/P	Relay Voltage	List Price
OP54-0275N	30"-33"	110 V.D.C.	\$2,476.00
OP54-0270N	30"-33"	120 V.A.C.	\$2,476.00
OP54-0265N	30"-33"	240 V.A.C.	\$2,476.00
OP54-0276N	34"-39"	110 V.D.C.	\$2,476.00
OP54-0271N	34"-39"	120 V.A.C.	\$2,476.00
OP54-0266N	34"-39"	240 V.A.C.	\$2,476.00
OP54-0277N	40"-44"	110 V.D.C.	\$2,476.00
OP54-0272N	40"-44"	120 V.A.C.	\$2,476.00

Part No.	C/P	Relay Voltage	List Price
OP54-0267N	40"-44"	240 V.A.C.	\$2,476.00
OP54-0278N	45"-49"	110 V.D.C.	\$2,476.00
OP54-0273N	45"-49"	120 V.A.C.	\$2,476.00
OP54-0268N	45"-49"	240 V.A.C.	\$2,476.00
OP54-0279N	50"-53"	110 V.D.C.	\$2,476.00
OP54-0274N	50"-53"	120 V.A.C.	\$2,476.00
OP54-0269N	50"-53"	240 V.A.C.	\$2,476.00

DOOR EQUIPMENT

Operator Assemblies

MOHCTL - Conventional

Operator
Assemblies

Center Parting - 220 V.D.C. - High Cab

23" Header Height

Part No.	C/P	Relay Voltage	List Price
OP54-0290N	30"-33"	110 V.D.C.	\$2,476.00
OP54-0285N	30"-33"	120 V.A.C.	\$2,476.00
OP54-0280N	30"-33"	240 V.A.C.	\$2,476.00
OP54-0291N	34"-39"	110 V.D.C.	\$2,476.00
OP54-0286N	34"-39"	120 V.A.C.	\$2,476.00
OP54-0281N	34"-39"	240 V.A.C.	\$2,476.00
OP54-0292N	40"-44"	110 V.D.C.	\$2,476.00
OP54-0287N	40"-44"	120 V.A.C.	\$2,476.00

Part No.	C/P	Relay Voltage	List Price
OP54-0282N	40"-44"	240 V.A.C.	\$2,476.00
OP54-0293N	45"-49"	110 V.D.C.	\$2,476.00
OP54-0288N	45"-49"	120 V.A.C.	\$2,476.00
OP54-0283N	45"-49"	240 V.A.C.	\$2,476.00
OP54-0294N	50"-53"	110 V.D.C.	\$2,476.00
OP54-0289N	50"-53"	120 V.A.C.	\$2,476.00
OP54-0284N	50"-53"	240 V.A.C.	\$2,476.00

27" Header Height

Part No.	C/P	Relay Voltage	List Price
OP54-0303N	30"-33"	110 V.D.C.	\$2,476.00
OP54-0299N	30"-33"	120 V.A.C.	\$2,476.00
OP54-0295N	30"-33"	240 V.A.C.	\$2,476.00
OP54-0304N	40"-44"	110 V.D.C.	\$2,476.00
OP54-0300N	40"-44"	120 V.A.C.	\$2,476.00
OP54-0296N	40"-44"	240 V.A.C.	\$2,476.00

Part No.	C/P	Relay Voltage	List Price
OP54-0305N	45"-49"	110 V.D.C.	\$2,476.00
OP54-0301N	45"-49"	120 V.A.C.	\$2,476.00
OP54-0297N	45"-49"	240 V.A.C.	\$2,476.00
OP54-0306N	50"-53"	110 V.D.C.	\$2,476.00
OP54-0302N	50"-53"	120 V.A.C.	\$2,476.00
OP54-0298N	50"-53"	240 V.A.C.	\$2,476.00

31" Header Height

Part No.	C/P	Relay Voltage	List Price
OP54-0317N	30"-33"	110 V.D.C.	\$2,476.00
OP54-0312N	30"-33"	120 V.A.C.	\$2,476.00
OP54-0307N	30"-33"	240 V.A.C.	\$2,476.00
OP54-0318N	34"-39"	110 V.D.C.	\$2,476.00
OP54-0313N	34"-39"	120 V.A.C.	\$2,476.00
OP54-0308N	34"-39"	240 V.A.C.	\$2,476.00
OP54-0319N	40"-44"	110 V.D.C.	\$2,476.00
OP54-0314N	40"-44"	120 V.A.C.	\$2,476.00

Part No.	C/P	Relay Voltage	List Price
OP54-0309N	40"-44"	240 V.A.C.	\$2,476.00
OP54-0320N	45"-49"	110 V.D.C.	\$2,476.00
OP54-0315N	45"-49"	120 V.A.C.	\$2,476.00
OP54-0310N	45"-49"	240 V.A.C.	\$2,476.00
OP54-0321N	50"-53"	110 V.D.C.	\$2,476.00
OP54-0316N	50"-53"	120 V.A.C.	\$2,476.00
OP54-0311N	50"-53"	240 V.A.C.	\$2,476.00

35" Header Height

Part No.	C/P	Relay Voltage	List Price
OP54-0332N	30"-33"	110 V.D.C.	\$2,476.00
OP54-0327N	30"-33"	120 V.A.C.	\$2,476.00
OP54-0322N	30"-33"	240 V.A.C.	\$2,476.00
OP54-0333N	34"-39"	110 V.D.C.	\$2,476.00
OP54-0328N	34"-39"	120 V.A.C.	\$2,476.00
OP54-0323N	34"-39"	240 V.A.C.	\$2,476.00
OP54-0334N	40"-44"	110 V.D.C.	\$2,476.00
OP54-0329N	40"-44"	120 V.A.C.	\$2,476.00

Part No.	C/P	Relay Voltage	List Price
OP54-0324N	40"-44"	240 V.A.C.	\$2,476.00
OP54-0335N	45"-49"	110 V.D.C.	\$2,476.00
OP54-0330N	45"-49"	120 V.A.C.	\$2,476.00
OP54-0325N	45"-49"	240 V.A.C.	\$2,476.00
OP54-0336N	50"-53"	110 V.D.C.	\$2,476.00
OP54-0331N	50"-53"	120 V.A.C.	\$2,476.00
OP54-0326N	50"-53"	240 V.A.C.	\$2,476.00

DOOR EQUIPMENT

Operator Assemblies

MOHCTL - Conventional

Center Parting - 220 V.D.C. - High Cab

39" Header Height

Part No.	C/P	Relay Voltage	List Price
OP54-0347N	30"-33"	110 V.D.C.	\$2,476.00
OP54-0342N	30"-33"	120 V.A.C.	\$2,476.00
OP54-0337N	30"-33"	240 V.A.C.	\$2,476.00
OP54-0348N	34"-39"	110 V.D.C.	\$2,476.00
OP54-0343N	34"-39"	120 V.A.C.	\$2,476.00
OP54-0338N	34"-39"	240 V.A.C.	\$2,476.00
OP54-0349N	40"-44"	110 V.D.C.	\$2,476.00
OP54-0344N	40"-44"	120 V.A.C.	\$2,476.00

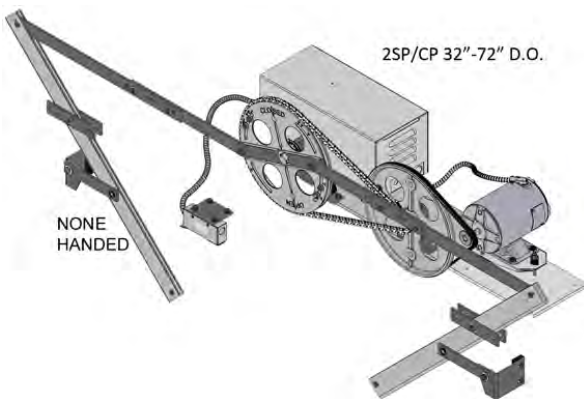
Part No.	C/P	Relay Voltage	List Price
OP54-0339N	40"-44"	240 V.A.C.	\$2,476.00
OP54-0350N	45"-49"	110 V.D.C.	\$2,476.00
OP54-0345N	45"-49"	120 V.A.C.	\$2,476.00
OP54-0340N	45"-49"	240 V.A.C.	\$2,476.00
OP54-0351N	50"-53"	110 V.D.C.	\$2,476.00
OP54-0346N	50"-53"	120 V.A.C.	\$2,476.00
OP54-0341N	50"-53"	240 V.A.C.	\$2,476.00

43" Header Height

Part No.	C/P	Relay Voltage	List Price
OP54-0362N	30"-33"	110 V.D.C.	\$2,476.00
OP54-0357N	30"-33"	120 V.A.C.	\$2,476.00
OP54-0352N	30"-33"	240 V.A.C.	\$2,476.00
OP54-0363N	34"-39"	110 V.D.C.	\$2,476.00
OP54-0358N	34"-39"	120 V.A.C.	\$2,476.00
OP54-0353N	34"-39"	240 V.A.C.	\$2,476.00
OP54-0364N	40"-44"	110 V.D.C.	\$2,476.00
OP54-0359N	40"-44"	120 V.A.C.	\$2,476.00

Part No.	C/P	Relay Voltage	List Price
OP54-0354N	40"-44"	240 V.A.C.	\$2,476.00
OP54-0365N	45"-49"	110 V.D.C.	\$2,476.00
OP54-0360N	45"-49"	120 V.A.C.	\$2,476.00
OP54-0355N	45"-49"	240 V.A.C.	\$2,476.00
OP54-0366N	50"-53"	110 V.D.C.	\$2,476.00
OP54-0361N	50"-53"	120 V.A.C.	\$2,476.00
OP54-0356N	50"-53"	240 V.A.C.	\$2,476.00

Two Speed Center Parting



Special Note:

- Gate switch (extra charge)
- 120 V.A.C./D.C. is available upon request. Contact G.A.L. sales department.
- Drive arm pivot support brackets for C/P (Part No. OP25-0001N) or 2SP/CP (Part No. OP25-0002N) doors are sold separately
- "MOHCTL" operator includes: door drive arm assembly, nudging & gate switch
- Up to 3 foot per second opening
- P.M. motor: 1/2 HP 1140 RPM
- Power supply of 208 to 230 V.A.C./D.C. or 120 V.A.C./D.C.
- Basic operator requires (4) wires excluding open and close relays, open and close limits and gate switch. Nudging requires (1) additional wire
- Operator wiring diagram 7774
- CSA Certificate NO. LR-1304-27 complies with CAN/CSA-B44.1-M91/ASME-A17.5

Two Speed Center Parting - 220 V.D.C. - Standard

15" Header Height

Part No.	2SP/CP	Relay Voltage	List Price
OP58-0281N	32"-33"	110 V.D.C.	\$2,364.00
OP58-0246N	32"-33"	120 V.A.C.	\$2,364.00
OP58-0211N	32"-33"	240 V.A.C.	\$2,364.00

Part No.	2SP/CP	Relay Voltage	List Price
OP58-0282N	34"	110 V.D.C.	\$2,364.00
OP58-0247N	34"	120 V.A.C.	\$2,364.00
OP58-0212N	34"	240 V.A.C.	\$2,364.00

DOOR EQUIPMENT

Operator Assemblies

MOHCTL - Conventional

Operator
Assemblies

Two Speed Center Parting - 220 V.D.C. - Standard

15" Header Height

Part No.	2SP/CP	Relay Voltage	List Price
OP58-0283N	35"-37"	110 V.D.C.	\$2,364.00
OP58-0248N	35"-37"	120 V.A.C.	\$2,364.00
OP58-0213N	35"-37"	240 V.A.C.	\$2,364.00
OP58-0284N	38"-39"	110 V.D.C.	\$2,364.00
OP58-0249N	38"-39"	120 V.A.C.	\$2,364.00
OP58-0214N	38"-39"	240 V.A.C.	\$2,364.00
OP58-0285N	40"-41"	110 V.D.C.	\$2,364.00
OP58-0250N	40"-41"	120 V.A.C.	\$2,364.00
OP58-0215N	40"-41"	240 V.A.C.	\$2,364.00
OP58-0286N	42"-44"	110 V.D.C.	\$2,364.00
OP58-0251N	42"-44"	120 V.A.C.	\$2,364.00

Part No.	2SP/CP	Relay Voltage	List Price
OP58-0216N	42"-44"	240 V.A.C.	\$2,364.00
OP58-0287N	45"-46"	110 V.D.C.	\$2,364.00
OP58-0252N	45"-46"	120 V.A.C.	\$2,364.00
OP58-0217N	45"-46"	240 V.A.C.	\$2,364.00
OP58-0288N	47"-48"	110 V.D.C.	\$2,364.00
OP58-0253N	47"-48"	120 V.A.C.	\$2,364.00
OP58-0218N	47"-48"	240 V.A.C.	\$2,364.00
OP58-0289N	49"	110 V.D.C.	\$2,364.00
OP58-0254N	49"	120 V.A.C.	\$2,364.00
OP58-0219N	49"	240 V.A.C.	\$2,364.00

17" Header Height

Part No.	2SP/CP	Relay Voltage	List Price
OP58-0290N	50"-51"	110 V.D.C.	\$2,364.00
OP58-0255N	50"-51"	120 V.A.C.	\$2,364.00
OP58-0220N	50"-51"	240 V.A.C.	\$2,364.00
OP58-0291N	52"-53"	110 V.D.C.	\$2,364.00
OP58-0256N	52"-53"	120 V.A.C.	\$2,364.00
OP58-0221N	52"-53"	240 V.A.C.	\$2,364.00
OP58-0292N	54"	110 V.D.C.	\$2,364.00
OP58-0257N	54"	120 V.A.C.	\$2,364.00
OP58-0222N	54"	240 V.A.C.	\$2,364.00
OP58-0293N	55"-56"	110 V.D.C.	\$2,364.00
OP58-0258N	55"-56"	120 V.A.C.	\$2,364.00
OP58-0223N	55"-56"	240 V.A.C.	\$2,364.00
OP58-0294N	57"-58"	110 V.D.C.	\$2,364.00
OP58-0259N	57"-58"	120 V.A.C.	\$2,364.00
OP58-0224N	57"-58"	240 V.A.C.	\$2,364.00

Part No.	2SP/CP	Relay Voltage	List Price
OP58-0295N	59"	110 V.D.C.	\$2,364.00
OP58-0260N	59"	120 V.A.C.	\$2,364.00
OP58-0225N	59"	240 V.A.C.	\$2,364.00
OP58-0296N	60"	110 V.D.C.	\$2,364.00
OP58-0261N	60"	120 V.A.C.	\$2,364.00
OP58-0226N	60"	240 V.A.C.	\$2,364.00
OP58-0297N	61"-62"	110 V.D.C.	\$2,364.00
OP58-0262N	61"-62"	120 V.A.C.	\$2,364.00
OP58-0227N	61"-62"	240 V.A.C.	\$2,364.00
OP58-0298N	63"	110 V.D.C.	\$2,364.00
OP58-0263N	63"	120 V.A.C.	\$2,364.00
OP58-0228N	63"	240 V.A.C.	\$2,364.00
OP58-0299N	64"	110 V.D.C.	\$2,364.00
OP58-0264N	64"	120 V.A.C.	\$2,364.00
OP58-0229N	64"	240 V.A.C.	\$2,364.00

19" Header Height

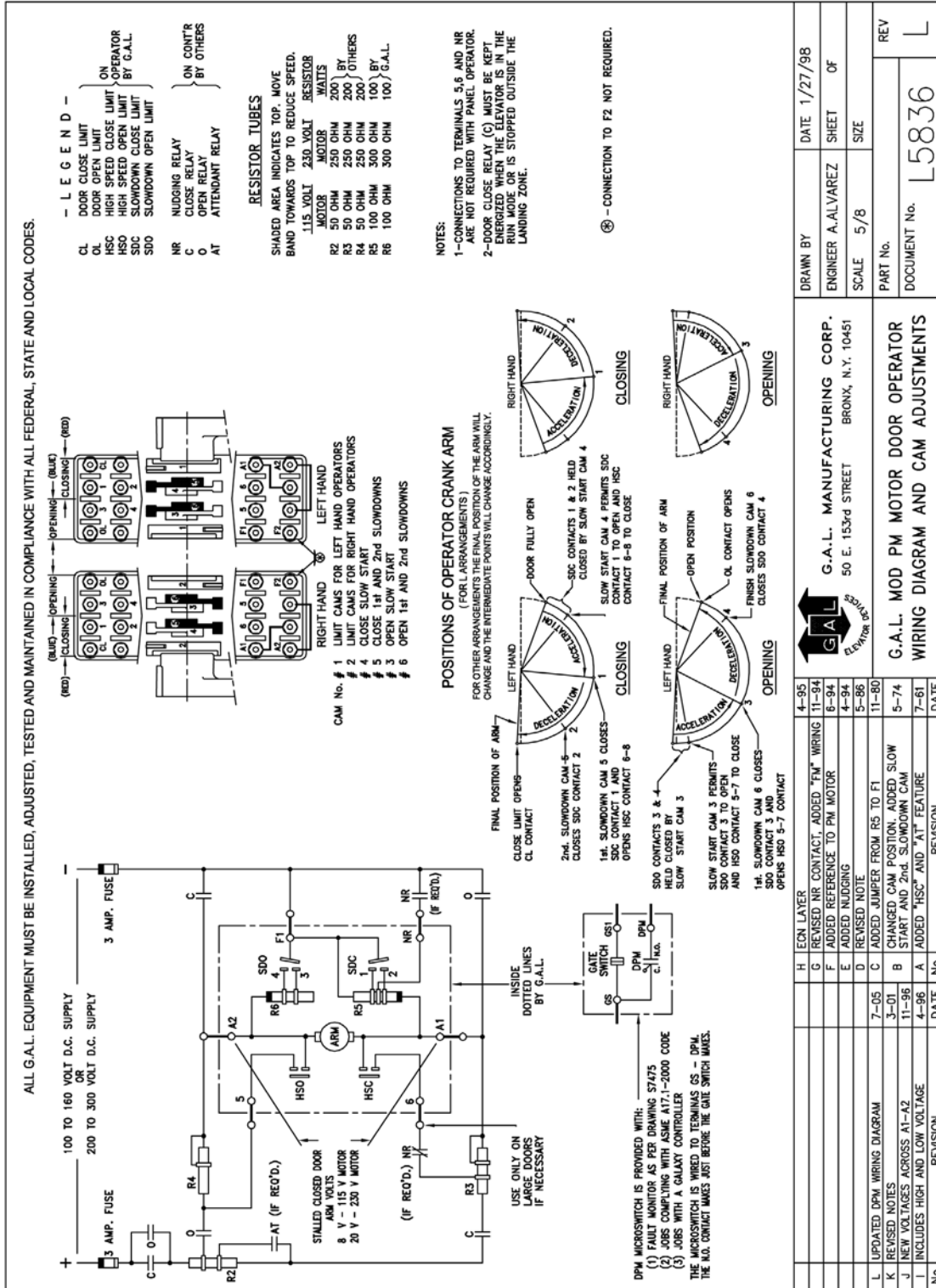
Part No.	2SP/CP	Relay Voltage	List Price
OP58-0300N	65"	110 V.D.C.	\$2,364.00
OP58-0265N	65"	120 V.A.C.	\$2,364.00
OP58-0230N	65"	240 V.A.C.	\$2,364.00
OP58-0301N	66"-67"	110 V.D.C.	\$2,364.00
OP58-0266N	66"-67"	120 V.A.C.	\$2,364.00
OP58-0231N	66"-67"	240 V.A.C.	\$2,364.00
OP58-0302N	68"	110 V.D.C.	\$2,364.00
OP58-0267N	68"	120 V.A.C.	\$2,364.00
OP58-0232N	68"	240 V.A.C.	\$2,364.00

Part No.	2SP/CP	Relay Voltage	List Price
OP58-0303N	69"	110 V.D.C.	\$2,364.00
OP58-0268N	69"	120 V.A.C.	\$2,364.00
OP58-0233N	69"	240 V.A.C.	\$2,364.00
OP58-0304N	70"-71"	110 V.D.C.	\$2,364.00
OP58-0269N	70"-71"	120 V.A.C.	\$2,364.00
OP58-0234N	70"-71"	240 V.A.C.	\$2,364.00
OP58-0305N	72"	110 V.D.C.	\$2,364.00
OP58-0270N	72"	120 V.A.C.	\$2,364.00
OP58-0235N	72"	240 V.A.C.	\$2,364.00

DOOR EQUIPMENT

Operator Assemblies

MODHFL - Wiring Diagram

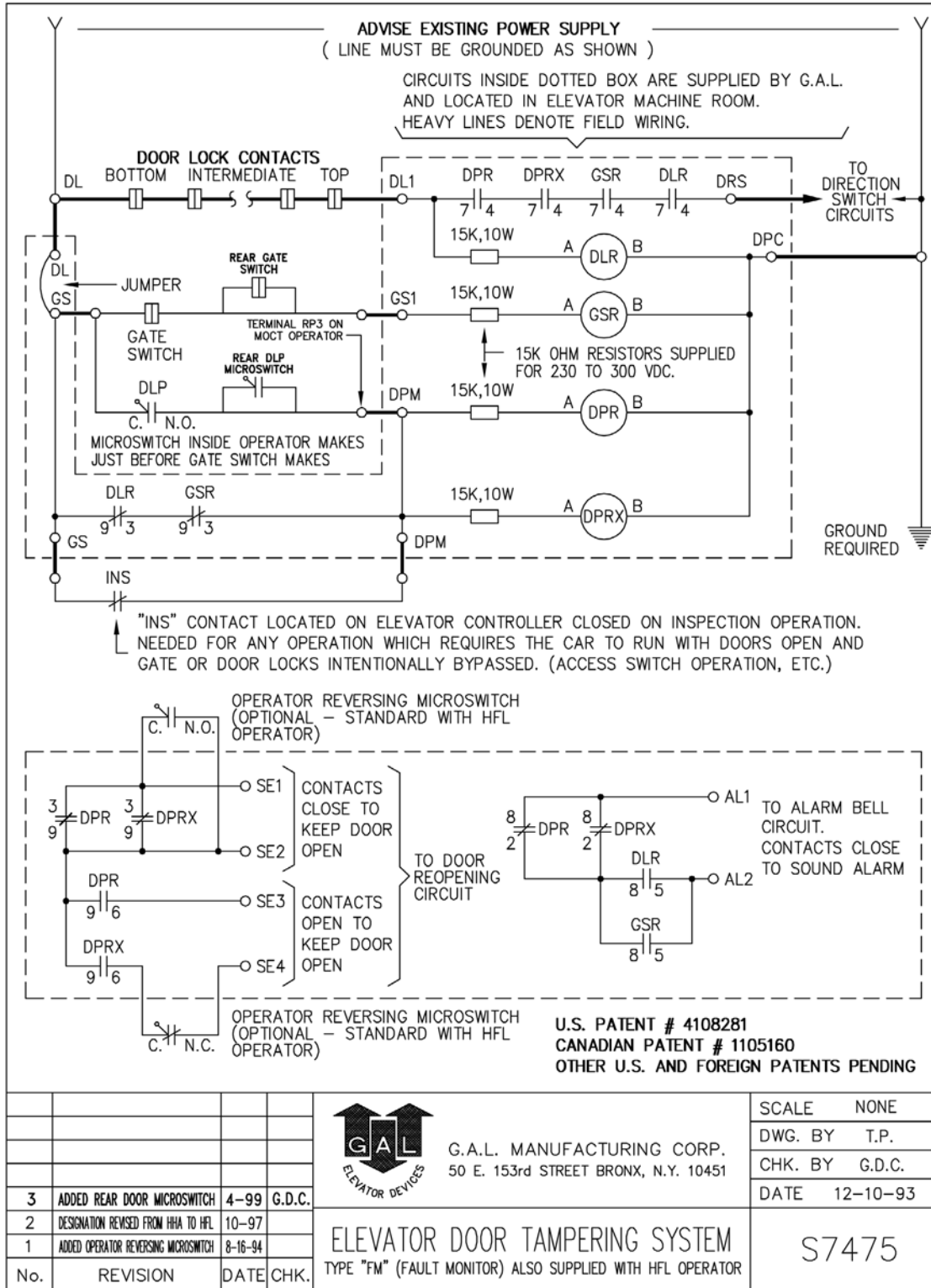


DOOR EQUIPMENT

Operator Assemblies

MODHFL - Wiring Diagram

Operator Assemblies

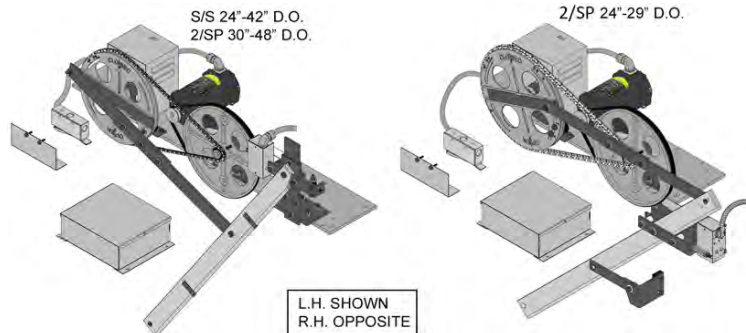


DOOR EQUIPMENT

Operator Assemblies

MODHFL - Vandal Resistant

Single & Two Speed



Special Note:

- Gate switch (extra charge)
- 100 to 160 V.D.C. is available upon request. Contact G.A.L. sales department.
- For 22"-29" D.O. contact G.A.L. sales or engineering department for details.

- "MODHFL" operator includes: door drive arm assembly, nudging, gate switch & LRD-1 reversing device
- MOD limit control box with "FM" micro-switch and terminal block
- "FM" fault monitor anti-tampering system (located in control room) includes:
 - Gate switch protection relay
 - Door lock protection relay
 - Door position relays (2)

- Up to 1 1/2 foot per second opening
- P.M. motor: 1/6 HP 1140 RPM
- Power supply of 200 to 300 V.D.C. or 100 to 160 V.D.C.
- Basic operator requires (6) wires excluding open and close limits and gate switch. Nudging requires (1) additional wire
- Operator wiring diagram L-5836 and S-7475
- CSA Certificate No. LR-1304-27 complies with CAN/CSA-B44.1-M91/ASME-A17.5

Single Speed - 220 V.D.C. - Standard

13" Header Height

Part No.	S/S	Relay Voltage	List Price
OP48-0003L/R	30"-32"	120 V.A.C.	\$1,874.00
OP48-0010L/R	30"-32"	120 V.D.C.	\$1,874.00
OP48-0017L/R	30"-32"	220 V.A.C.	\$1,874.00
OP48-0024L/R	30"-32"	220 V.D.C.	\$1,874.00
OP48-0004L/R	33"-34"	120 V.A.C.	\$1,874.00
OP48-0011L/R	33"-34"	120 V.D.C.	\$1,874.00
OP48-0018L/R	33"-34"	220 V.A.C.	\$1,874.00
OP48-0025L/R	33"-34"	220 V.D.C.	\$1,874.00
OP48-0026L/R	33"-34"	220 V.D.C.	\$1,874.00
OP48-0005L/R	35"-37"	120 V.A.C.	\$1,874.00

Part No.	S/S	Relay Voltage	List Price
OP48-0012L/R	35"-37"	120 V.D.C.	\$1,874.00
OP48-0019L/R	35"-37"	220 V.A.C.	\$1,874.00
OP48-0006L/R	38"-39"	120 V.A.C.	\$1,874.00
OP48-0013L/R	38"-39"	120 V.D.C.	\$1,874.00
OP48-0020L/R	38"-39"	220 V.A.C.	\$1,874.00
OP48-0027L/R	38"-39"	220 V.D.C.	\$1,874.00
OP48-0007L/R	40"-42"	120 V.A.C.	\$1,874.00
OP48-0014L/R	40"-42"	120 V.D.C.	\$1,874.00
OP48-0021L/R	40"-42"	220 V.A.C.	\$1,874.00
OP48-0028L/R	40"-42"	220 V.D.C.	\$1,874.00

Two Speed - 220 V.D.C. - Standard

13" Header Height

Part No.	2/SP	Relay Voltage	List Price
OP49-0065L/R	24"	120 V.A.C.	\$1,874.00
OP49-0071L/R	24"	120 V.D.C.	\$1,874.00
OP49-0077L/R	24"	220 V.A.C.	\$1,874.00
OP49-0083L/R	24"	220 V.D.C.	\$1,874.00
OP49-0066L/R	25"	120 V.A.C.	\$1,874.00
OP49-0072L/R	25"	120 V.D.C.	\$1,874.00
OP49-0078L/R	25"	220 V.A.C.	\$1,874.00
OP49-0084L/R	25"	220 V.D.C.	\$1,874.00
OP49-0067L/R	26"	120 V.A.C.	\$1,874.00
OP49-0073L/R	26"	120 V.D.C.	\$1,874.00
OP49-0079L/R	26"	220 V.A.C.	\$1,874.00
OP49-0085L/R	26"	220 V.D.C.	\$1,874.00

Part No.	2/SP	Relay Voltage	List Price
OP49-0068L/R	27"	120 V.A.C.	\$1,874.00
OP49-0074L/R	27"	120 V.D.C.	\$1,874.00
OP49-0080L/R	27"	220 V.A.C.	\$1,874.00
OP49-0086L/R	27"	220 V.D.C.	\$1,874.00
OP49-0069L/R	28"	120 V.A.C.	\$1,874.00
OP49-0075L/R	28"	120 V.D.C.	\$1,874.00
OP49-0081L/R	28"	220 V.A.C.	\$1,874.00
OP49-0087L/R	28"	220 V.D.C.	\$1,874.00
OP49-0070L/R	29"	120 V.A.C.	\$1,874.00
OP49-0076L/R	29"	120 V.D.C.	\$1,874.00
OP49-0082L/R	29"	220 V.A.C.	\$1,874.00
OP49-0088L/R	29"	220 V.D.C.	\$1,874.00

DOOR EQUIPMENT

Operator Assemblies

MODHFL - Vandal Resistant

Operator Assemblies

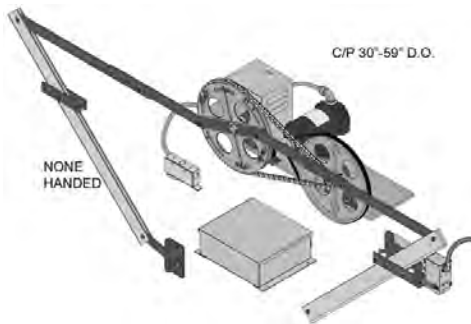
Two Speed - 220 V.D.C. - Standard

13" Header Height

Part No.	2/SP	Relay Voltage	List Price
OP49-0001L/R	30"-34"	120 V.A.C.	\$1,874.00
OP49-0005L/R	30"-34"	120 V.D.C.	\$1,874.00
OP49-0009L/R	30"-34"	220 V.A.C.	\$1,874.00
OP49-0013L/R	30"-34"	220 V.D.C.	\$1,874.00
OP49-0002L/R	35"-39"	120 V.A.C.	\$1,874.00
OP49-0006L/R	35"-39"	120 V.D.C.	\$1,874.00
OP49-0010L/R	35"-39"	220 V.A.C.	\$1,874.00
OP49-0014L/R	35"-39"	220 V.D.C.	\$1,874.00

Part No.	2/SP	Relay Voltage	List Price
OP49-0003L/R	40"-44"	120 V.A.C.	\$1,874.00
OP49-0007L/R	40"-44"	120 V.D.C.	\$1,874.00
OP49-0011L/R	40"-44"	220 V.A.C.	\$1,874.00
OP49-0015L/R	40"-44"	220 V.D.C.	\$1,874.00
OP49-0004L/R	45"-48"	120 V.A.C.	\$1,874.00
OP49-0008L/R	45"-48"	120 V.D.C.	\$1,874.00
OP49-0012L/R	45"-48"	220 V.A.C.	\$1,874.00
OP49-0016L/R	45"-48"	220 V.D.C.	\$1,874.00

Center Parting



Special Note:

- Gate switch (extra charge)
- 100 to 160 V.D.C. is available upon request. Contact G.A.L. sales department.
- Drive arm pivot support brackets for C/P (Part No. OP25-0001N) or 2SP/CP (Part No. OP25-0002N) doors are sold separately

- "MODHFL" operator includes: door drive arm assembly, nudging, gate switch & LRD-1 reversing device
- MOD limit control box with "FM" micro-switch and terminal block
- "FM" fault monitor anti-tampering system (located in control room) includes:
 - Gate switch protection relay
 - Door lock protection relay
 - Door position relays (2)
- Up to 1 1/2 foot per second opening
- P.M. motor: 1/6 HP 1140 RPM
- Power supply of 200 to 300 V.D.C. or 100 to 160 V.D.C.
- Basic operator requires (6) wires excluding open and close limits and gate switch. Nudging requires (1) additional wire
- Operator wiring diagram L-5836 and S-7475
- CSA Certificate No. LR-1304-27 complies with CAN/CSA-B44.1-M91/ASME-A17.5

Center Parting - 220 V.D.C. - Standard

15" Header Height

Part No.	C/P	Relay Voltage	List Price
OP50-0001N	30"-33"	120 V.A.C.	\$2,473.00
OP50-0005N	30"-33"	120 V.D.C.	\$2,473.00
OP50-0009N	30"-33"	220 V.A.C.	\$2,473.00
OP50-0013N	30"-33"	220 V.D.C.	\$2,473.00
OP50-0002N	34"-39"	120 V.A.C.	\$2,473.00
OP50-0006N	34"-39"	120 V.D.C.	\$2,473.00
OP50-0010N	34"-39"	220 V.A.C.	\$2,473.00

Part No.	C/P	Relay Voltage	List Price
OP50-0014N	34"-39"	220 V.D.C.	\$2,473.00
OP50-0003N	40"-49"	120 V.A.C.	\$2,473.00
OP50-0007N	40"-49"	120 V.D.C.	\$2,473.00
OP50-0011N	40"-49"	220 V.A.C.	\$2,473.00
OP50-0015N	40"-49"	220 V.D.C.	\$2,473.00
OP50-0004N	50"-54"	120 V.A.C.	\$2,473.00
OP50-0012N	50"-54"	220 V.A.C.	\$2,473.00

17" Header Height

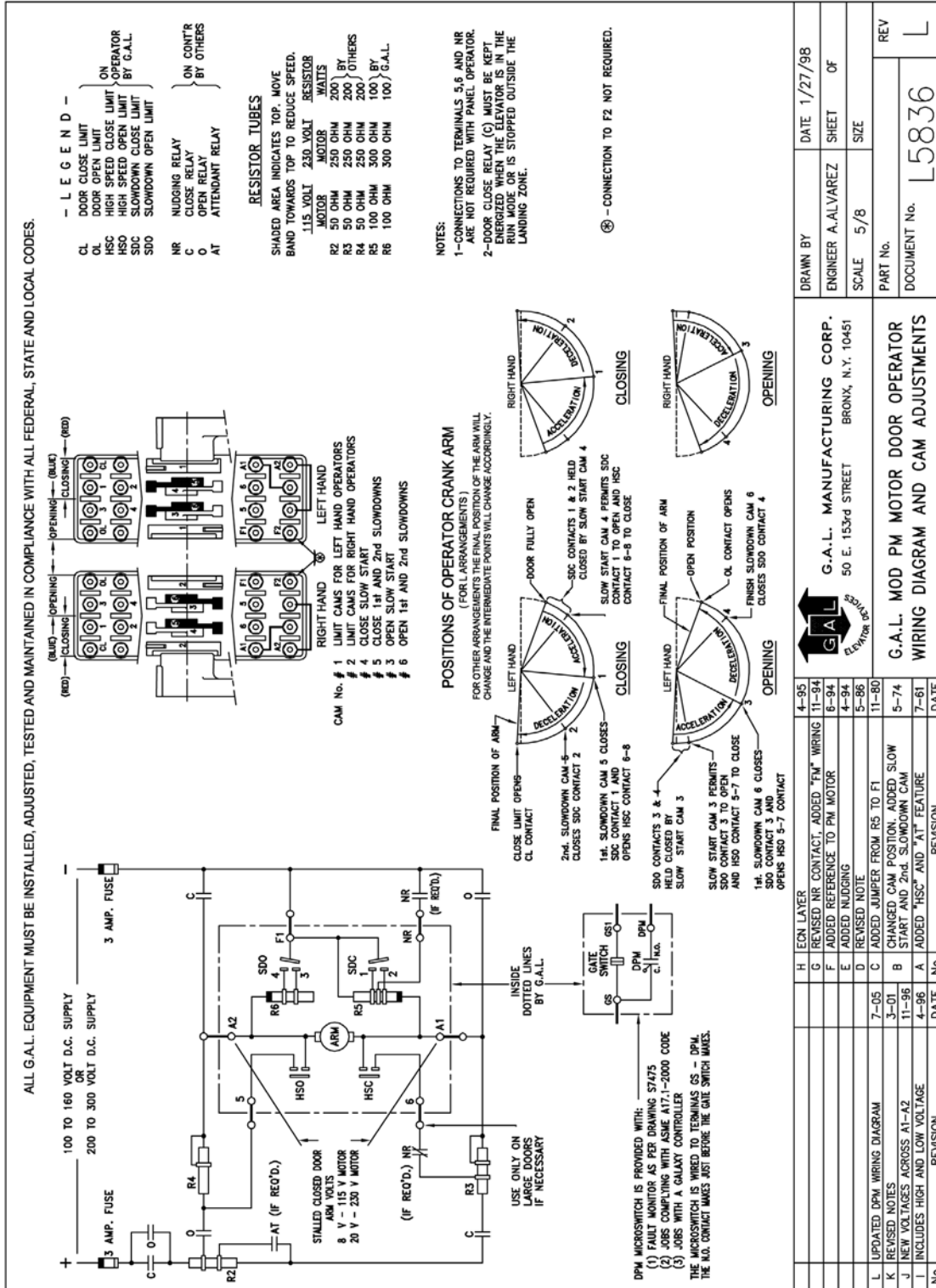
Part No.	C/P	Relay Voltage	List Price
OP50-0008N	50"-54"	120 V.D.C.	\$2,473.00
OP50-0016N	50"-54"	220 V.D.C.	\$2,473.00
OP50-0033N	55"-59"	120 V.A.C.	\$2,473.00

Part No.	C/P	Relay Voltage	List Price
OP50-0034N	55"-59"	120 V.D.C.	\$2,473.00
OP50-0035N	55"-59"	220 V.A.C.	\$2,473.00
OP50-0036N	55"-59"	220 V.D.C.	\$2,473.00

DOOR EQUIPMENT

Operator Assemblies

MODLNYC - Wiring Diagram



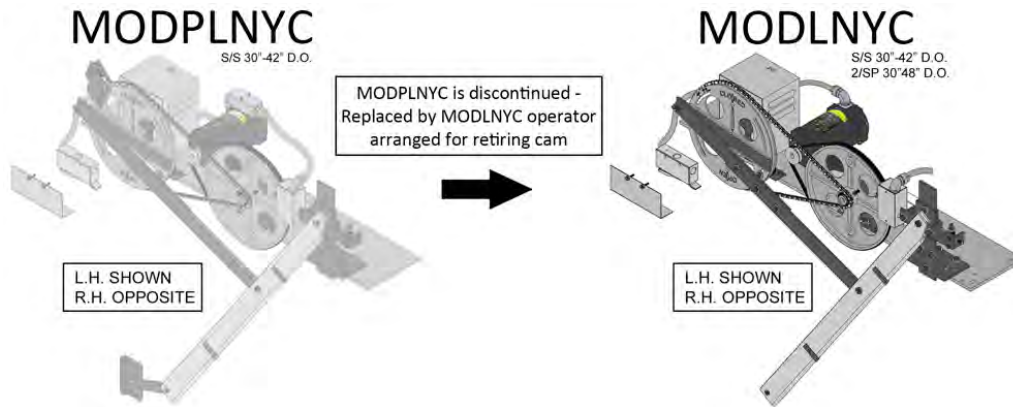
DOOR EQUIPMENT

Operator Assemblies

MODLNYC - Vandal Resistant

Operator Assemblies

Single & Two Speed



- “MODLNYC” operator includes: door drive arm assembly, shielded gate switch, nudging, & LRD-1 reversing device.
- Up to 1 1/2 foot per second opening
- P.M. motor: 1/6 HP 1140 RPM
- Power supply of 200 to 300 V.D.C. or 100 to 160 V.D.C.
- Water tight flexible electrical conduits.
- Basic operator requires (5) wires excluding open and close limits and gate switch. Nudging requires (1) additional wire.
- Operator wiring diagram L-5836 Rev. L
- CSA Certificate No. LR-1304-27, complies with CAN/CSA-B44.1-M91/ASME-A17.5

Special Features:

- LRD-1 reversing device
- Extra micro switch & cam
- Watertight flexible conduit

Special Note:

- Shielded gate switch (**extra charge**)
- Secondary gate switch (micro-switch and cam) (**extra charge**)
- 100 to 160 V.D.C. is available upon request. Contact G.A.L. sales department.

Single & Two Speed - 220 V.D.C. - Standard

13" Header Height

Part No.	S/S	2/SP	List Price
OP28-0001L/R	30"-34"	30"-34"	\$1,532.00
OP28-0002L/R	35"-39"	35"-39"	\$1,532.00
OP28-0003L/R	40"-42"	40"-42"	\$1,532.00
OP28-0015L/R		40"-44"	\$1,532.00
OP28-0016L/R		45"-48"	\$1,532.00

Single & Two Speed - 220 V.D.C. - High Cab

17" Header Height

Part No.	S/S	2/SP	List Price
OP28-0009L/R	30"-34"	30"-34"	\$1,588.00
OP28-0010L/R	35"-39"	35"-39"	\$1,588.00
OP28-0011L/R	40"-42"	40"-42"	\$1,588.00

DOOR EQUIPMENT

Operator Assemblies

MODG - Gate Operator



Gate Operator:

Note: By code, the gate operator can only open a collapsing gate 6" from fully closed position. Then gate must be opened by hand the rest of the way. It will close all the way automatically.

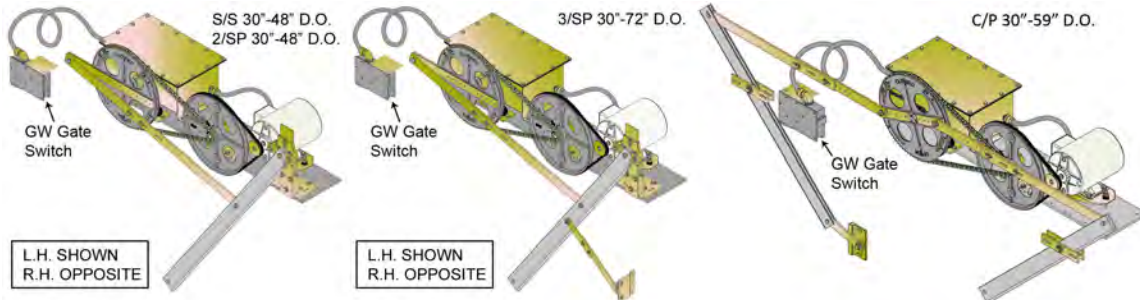
Includes gate switch at additional charge.
Refer to Wiring Diagram #S6383

<i>All Size Door Style - 220 V.D.C. - Standard</i>	
Part No.	List Price
OP98-0002L/R	\$1,418.00

<i>All Size Door Style - 115 V.D.C. - Standard</i>	
Part No.	List Price
OP98-0001L/R	\$1,701.00

MOVFRW II - Water Resistant

Single & Two Speed



Note: CSA Certified. All ferrous material are yellow zinc dichromate plated. Includes "GW" gate switch and optional fault monitor supplied at additional charge. (If controller or job does not have a fault monitor, it is required with operator.)

<i>Single & Two Speed - 220 V.A.C. - Standard</i>			
<i>13" Header Height</i>			
Part No.	S/S	2/SP	List Price
OP106-0003L/R*	30"-34"	30"-34"	\$3,780.00
OP106-0004L/R*	35"-39"	35"-39"	\$3,780.00
OP106-0005L/R*	40"-44"	40"-44"	\$3,780.00
OP106-0006L/R*	45"-48"	45"-48"	\$3,780.00

<i>Three Speed - 220 V.A.C. - Standard</i>		
<i>13" Header Height</i>		
Part No.	3/SP	List Price
OP128-0001L/R*	30"-72"	\$3,885.00

Center Parting - 220 V.A.C. - Standard

<i>15" Header Height</i>		
Part No.	C/P	List Price
OP108-0001N*	30"-33"	\$3,884.00
OP108-0002N*	34"-39"	\$3,884.00
OP108-0003N*	40"-49"	\$3,884.00

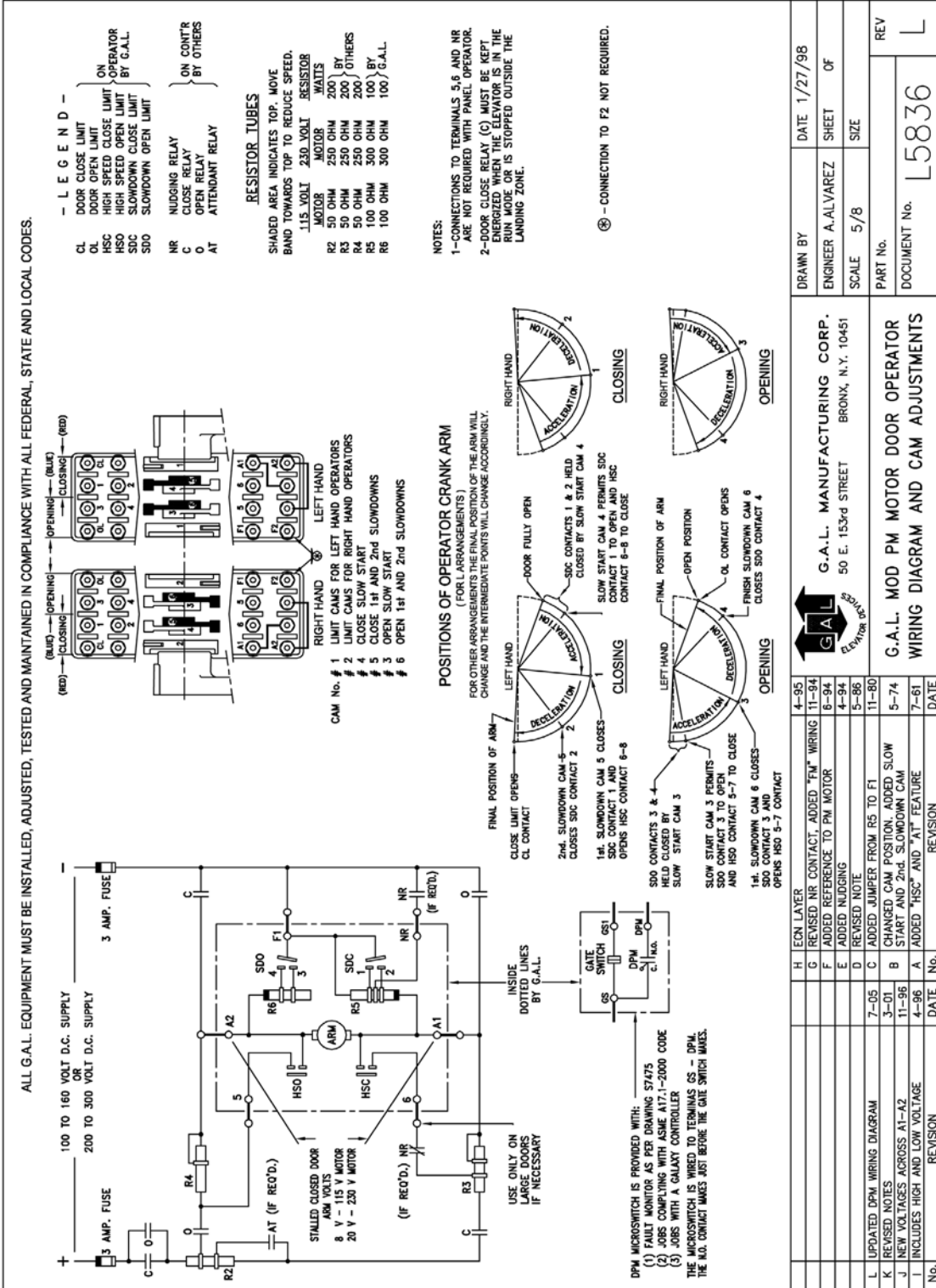
<i>17" Header Height</i>		
Part No.	C/P	List Price
OP108-0004N*	50"-54"	\$3,884.00
OP108-0005N*	55"-59"	\$3,884.00

DOOR EQUIPMENT

Operator Assemblies

MOXL - Wiring Diagram

Operator Assemblies

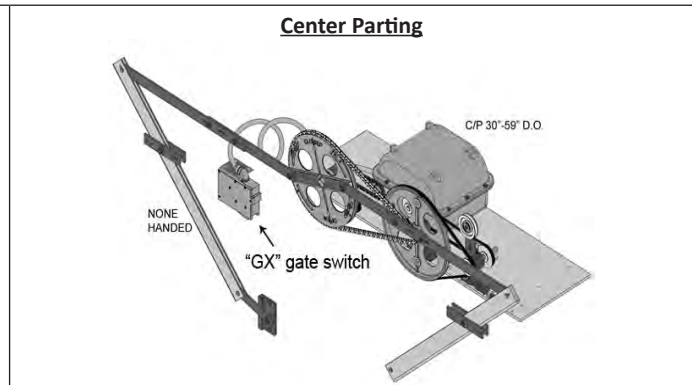
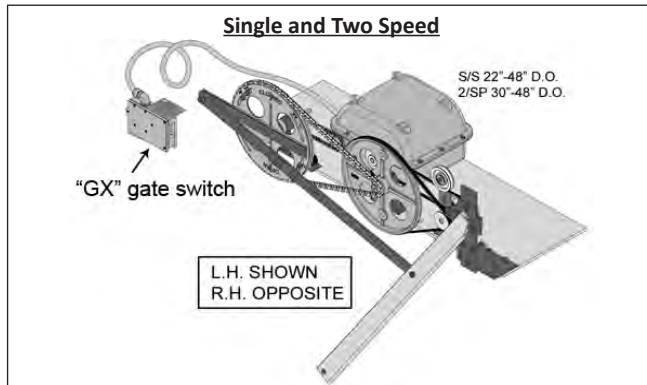


DOOR EQUIPMENT

Operator Assemblies

MOXL - Dust/Explosion Resistant

Single, Two Speed, & Center Parting



Special Note:

- For 22"-29" D.O. contact G.A.L. sales or engineering department for details.

Special Note:

- Drive arm pivot support brackets for C/P (Part No. OP25-0001N) or 2SP/CP (Part No. OP25-0002N) doors are sold separately.

Features:

- Not CSA, UL Listed or NEMA Rated
- "MOXL" operator includes: drive arm assembly, nudging, & GX gate switch.
 - Note: "GX" gate switch and optional fault monitor supplied at additional charge. (If controller or job does not have a fault monitor, it is required with operator.)
- Basic operator requires (5) wires excluding open and close limits and gate switch. Nudging requires (1) additional wire
- Up to 1 1/2 foot per second opening
- P.M. motor: 1/6 HP 1140 RPM
- Power supply of 200 to 300 V.D.C. or 100 to 160 V.D.C.
- Mounting hardware OP1-0040N

Single & Two Speed - 220 V.D.C. - Standard

13" Header Height

Part No.	S/S	2/SP	List Price
OP91-0001L/R	30"-34"	30"-34"	\$4,144.00
OP91-0002L/R	35"-39"	35"-39"	\$4,144.00
OP91-0003L/R	40"-42"	40"-44"	\$4,144.00
OP91-0004L/R	43"-44"		\$4,144.00
OP91-0005L/R	45"-48"		\$4,144.00
OP91-0006L/R		45"-48"	\$4,144.00

Single & Two Speed - 115 V.D.C. - Standard

13" Header Height

Part No.	S/S	2/SP	List Price
OP91-0007L/R	30"-34"	30"-34"	\$4,144.00
OP91-0008L/R	35"-39"	35"-39"	\$4,144.00
OP91-0009L/R	40"-42"		\$4,144.00
OP91-0010L/R	43"-44"		\$4,144.00
OP91-0011L/R	45"-48"		\$4,144.00
OP91-0012L/R		45"-48"	\$4,144.00

Center Parting - 220 V.D.C. - Standard

15" Header Height

Part No.	C/P	List Price
OP93-0001N	30"-33"	\$5,310.00
OP93-0002N	34"-39"	\$5,310.00
OP93-0003N	40"-49"	\$5,310.00

Center Parting - 115 V.D.C. - Standard

15" Header Height

Part No.	C/P	List Price
OP93-0006N	30"-33"	\$5,310.00
OP93-0007N	34"-39"	\$5,310.00
OP93-0008N	40"-49"	\$5,310.00

17" Header Height

Part No.	C/P	List Price
OP93-0004N	50"-54"	\$5,310.00
OP93-0005N	55"-59"	\$5,310.00

17" Header Height

Part No.	C/P	List Price
OP93-0009N	50"-54"	\$5,310.00
OP93-0010N	55"-59"	\$5,310.00

DOOR EQUIPMENT

Operator Accessories

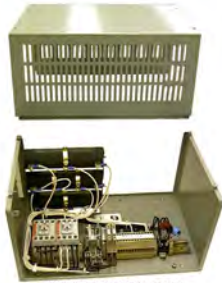
Operator
Accessories

Auxiliary Control Panels

An auxiliary control panel is used to convert A.C. power to D.C. power from an old controller when necessary. The D.C. power can then be used to power a new MODL, MOD, or MOHL replacement operator. An auxiliary control panel is not required if a MODCTL, MOHCTL, or MOVFR operator is used as a replacement.

MOD Series

OP10-0047N

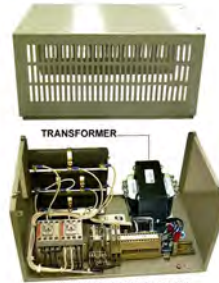


AUXILIARY CONTROL PANEL
W/O TRANSFORMER

Description

Panel, MOD Auxiliary 220V Control, w/o Transformer Wiring Diagram L-10026-IMOD
Where Used: MOD, MODL
List Price: \$770.00

OP10-0051N



AUXILIARY CONTROL PANEL
W TRANSFORMER

Description

Panel, MOD Auxiliari 440-575V Control, w/ Transformer Wiring Diagram L-10026-IMOD
Where Used: MOD, MODL
List Price: \$1202.00

MOM & MOH Series

OP13-0029N

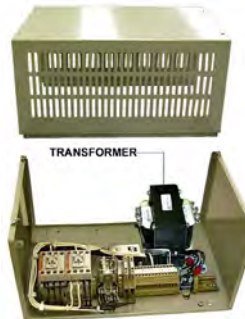


AUXILIARY CONTROL PANEL
W/O TRANSFORMER

Description

Panel, MOM/MOH Auxiliari 220V Control, w/o Transformer Wiring Diagram L-10026-IMOM
Where Used: MOH, MOHL, MOM, MOML
List Price: \$770.00

OP13-0030N



AUXILIARY CONTROL PANEL
W TRANSFORMER

Description

Panel, MOM/MOH Auxiliari 440-575V Control, w/ Transformer Wiring Diagram L-10026-IMOM
Where Used: MOH, MOHL, MOM, MOML
List Price: \$1,202.00

MOPM Convertor Panels

OP11-0024N



Description

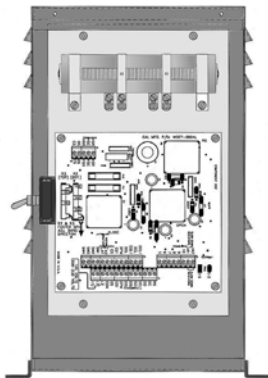
Panel, MOPM Converter, 240 V.A.C.-10A
Where Used: MOPMP, MOPMPL
List Price: \$616.00

DOOR EQUIPMENT

Operator Accessories

MOCT Conversion Kits

MOD to MODCT Control Board Conversion Kit



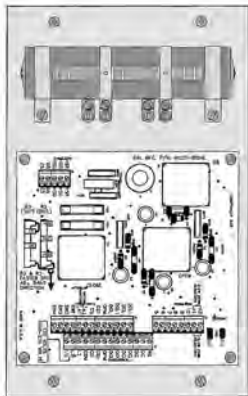
Operator conversion kit is used to convert “MOD” operators with PM motors ONLY, and older “MOCT” operators that used the 10201 control board. It also replaces some foreign solid state Interphase control boards when proper wiring diagrams can be supplied.

- G.A.L Wiring Diagram No. L-7632
- For installation instructions refer to Document No. “CONV TO MODCT”

Part No.	Motor Voltage	Relay Voltage	List Price
OP16-0032N	115 V.D.C	12 V.D.C	\$1,017.00
OP16-0033N	115 V.D.C	24 V.D.C	\$1,017.00
OP16-0034N	115 V.D.C	48 V.D.C	\$1,017.00
OP16-0035N	115 V.D.C	110 V.D.C	\$1,017.00
OP16-0036N	115 V.D.C	120 V.A.C	\$1,017.00
OP16-0037N	115 V.D.C	240 V.A.C	\$1,017.00

Part No.	Motor Voltage	Relay Voltage	List Price
OP16-0038N	220 V.D.C	12 V.D.C	\$1,017.00
OP16-0039N	220 V.D.C	24 V.D.C	\$1,017.00
OP16-0040N	220 V.D.C	48 V.D.C	\$1,017.00
OP16-0041N	220 V.D.C	110 V.D.C	\$1,017.00
OP16-0042N	220 V.D.C	120 V.A.C	\$1,017.00
OP16-0043N	220 V.D.C	240 V.A.C	\$1,017.00

MOCT to MODCT Control Board Conversion Kit



Operator conversion kit is used to convert “MOD” operators with PM motors ONLY, and older “MOCT” operators that used the 10201 control board. It also replaces some foreign solid state Interphase control boards when proper wiring diagrams can be supplied.

- G.A.L Wiring Diagram No. L-7632
- For installation instructions refer to Document No. “CONV TO MODCT”

Part No.	Motor Voltage	Relay Voltage	List Price
OP16-0044N	115 V.D.C	12 V.D.C	\$770.00
OP16-0045N	115 V.D.C	24 V.D.C	\$770.00
OP16-0046N	115 V.D.C	48 V.D.C	\$770.00
OP16-0047N	115 V.D.C	110 V.D.C	\$770.00
OP16-0048N	115 V.D.C	120 V.A.C	\$770.00
OP16-0049N	115 V.D.C	240 V.A.C	\$770.00

Part No.	Motor Voltage	Relay Voltage	List Price
OP16-0050N	220 V.D.C	12 V.D.C	\$770.00
OP16-0051N	220 V.D.C	24 V.D.C	\$770.00
OP16-0052N	220 V.D.C	48 V.D.C	\$770.00
OP16-0053N	220 V.D.C	110 V.D.C	\$770.00
OP16-0054N	220 V.D.C	120 V.A.C	\$770.00
OP16-0055N	220 V.D.C	240 V.A.C	\$770.00



DISCONTINUED

“MOCT” 10201 Board

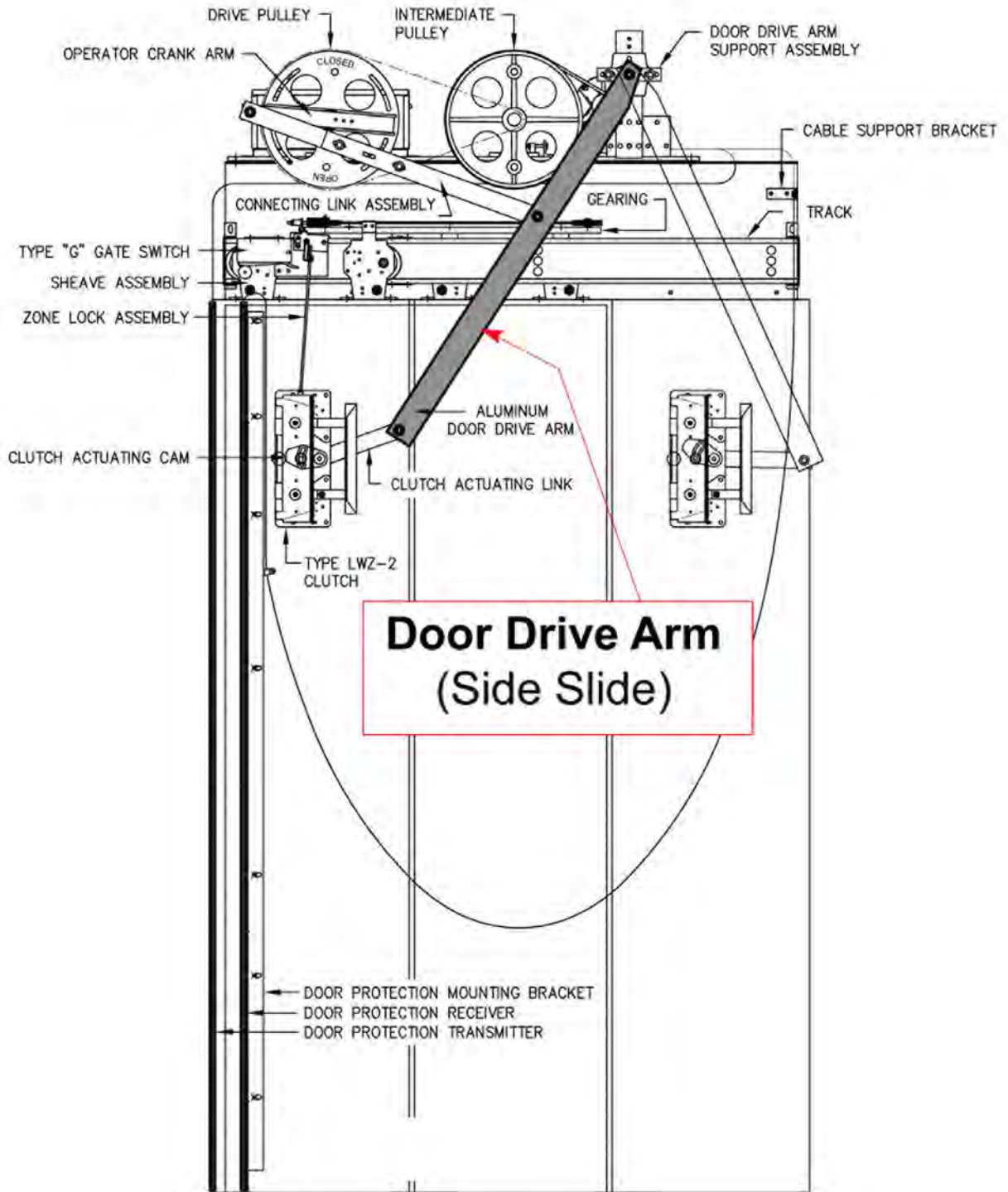
Discontinued Part Numbers: MOCT-0007N to MOCT-0019N
 Replaced by Part Numbers: OP16-0044N to OP16-0055N

DOOR EQUIPMENT

Operator Parts

Drive Arm Drawings

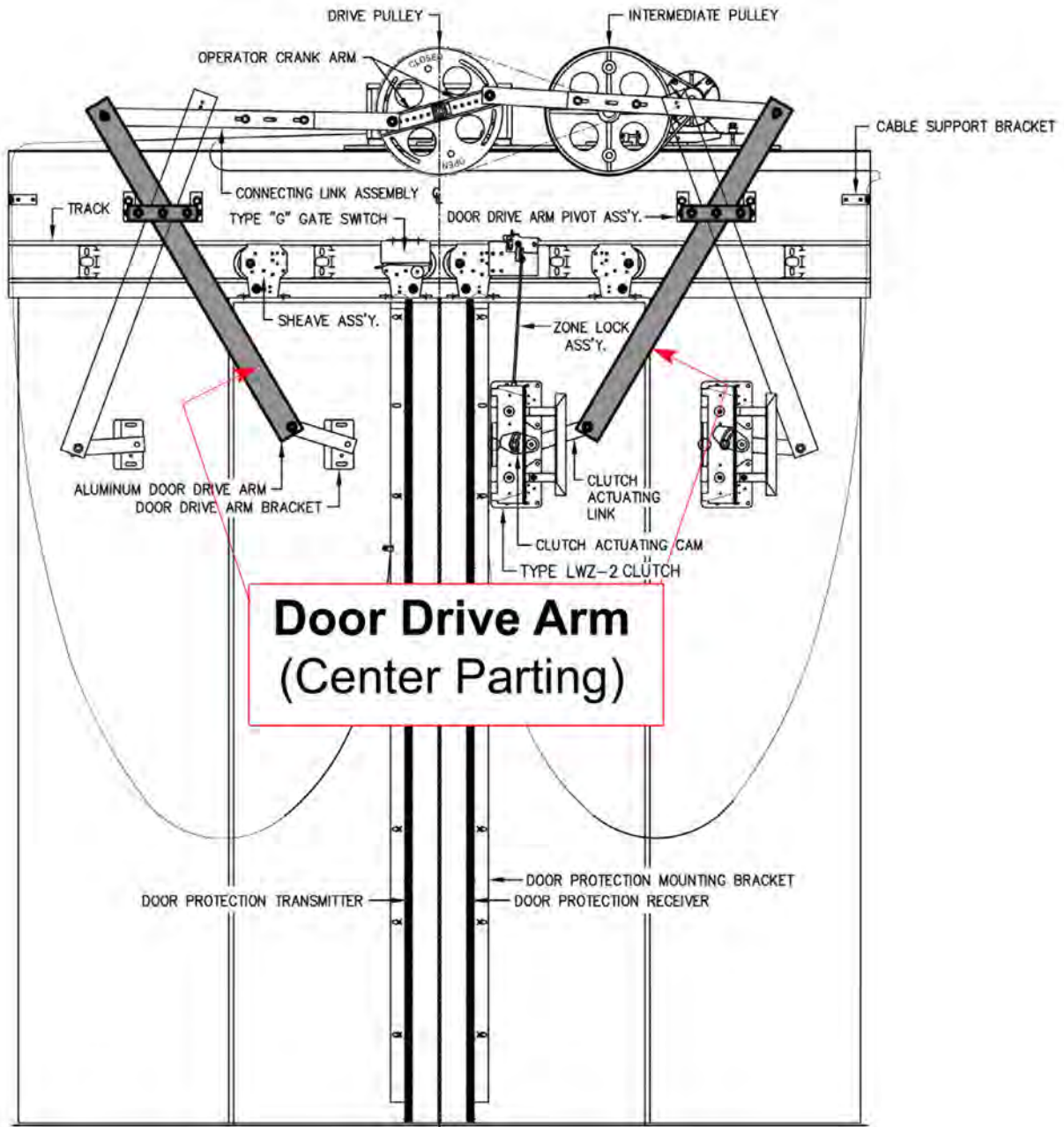
Drive Arm
Assemblies



DOOR EQUIPMENT

Operator Parts

Drive Arm Drawings



**Door Drive Arm
(Center Parting)**

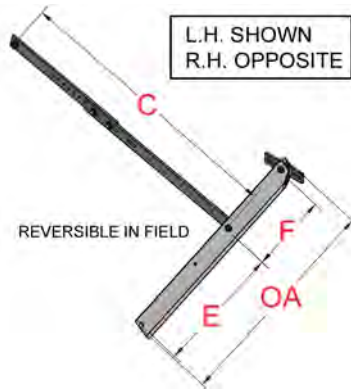
DOOR EQUIPMENT

Operator Parts

Drive Arm Assemblies

Drive Arm
Assemblies

Single & Two Speed Door Opening



Note:

- Standard door drive arms are those used for 8'-0" high cabs with 7'-0" high opening as a rule. (See 13" Header Table)
- Door drive arms that exceed 72" O.A. Dim in length comes with a reinforced aluminum arm.
- Special door drive arms are for high cabs over 8'-0", and/or headers more than 13" high for S/S, 2/SP, 3/SP, and 15" high for C/P and 2SP/CP opening. **A field survey must be done and submitted before fabrication can begin.**

13" Header Height

- Prior to October 1995, OP22-0001R/L & OP22-0002R/L (22"-29" D.O.) were used.
- After October 1995, refer to the 2/SP small door opening table.

Part No.	S/S	2/SP	"C" DIM	"E" DIM	"F" DIM	"OA" DIM	List Price
OP22-0001L/R	22"-24"		25" - 25 3/8"	18"	14"	33 3/4"	\$136.00
OP22-0002L/R	25"-29"		25 3/8" - 26 3/8"	19"	15"	35 3/4"	\$136.00
OP22-0003L/R	30"-34"	30"-34"	23 7/8" - 25 3/16"	25"	15"	41 3/4"	\$136.00
OP22-0004L/R	35"-39"	35"-39"	28 5/8" - 29 3/8"	24"	16"	41 3/4"	\$136.00
OP22-0005L/R	40"-44"	40"-44"	34" - 34 3/4"	26"	20"	47 3/4"	\$136.00
OP22-0006L/R	45"-48"	45"-48"	33 3/4" - 34 5/16"	31"	21"	53 3/4"	\$136.00

17" Header Height

Part No.	S/S	2/SP	"C" DIM	"E" DIM	"F" DIM	"OA" DIM	List Price
OP22-0112L/R*	30"-34"	30"-34"	23 3/4" - 25 1/8"	25"	15"	45 3/4"	\$198.00
OP22-0113L/R*	35"-39"	35"-39"	28 5/8" - 29 1/4"	24"	16"	45 3/4"	\$198.00
OP22-0114L/R*	40"-44"	40"-44"	34 1/4" - 34 7/8"	26"	20"	50 3/4"	\$198.00
OP22-0115L/R*	45"-48"	45"-48"	33 7/8" - 34 3/8"	31"	21"	56 3/4"	\$198.00

21" Header Height

Part No.	S/S	2/SP	"C" DIM	"E" DIM	"F" DIM	"OA" DIM	List Price
OP22-0116L/R*	30"-34"	30"-34"	24 1/4" - 25 3/8"	32"	15"	48 3/4"	\$198.00
OP22-0117L/R*	35"-39"	35"-39"	29 1/2" - 30 1/8"	29"	18"	48 3/4"	\$198.00
OP22-0118L/R*	40"-44"	40"-44"	35 1/2" - 36"	30"	21"	52 3/4"	\$198.00
OP22-0119L/R*	45"-48"	45"-48"	33 3/4" - 34 1/2"	33 3/8"	21"	60 3/4"	\$198.00

25" Header Height

Part No.	S/S	2/SP	"C" DIM	"E" DIM	"F" DIM	"OA" DIM	List Price
OP22-0120L/R*	30"-34"	30"-34"	24 1/8" - 25 3/8"	36"	15"	52 3/4"	\$198.00
OP22-0121L/R*	35"-39"	35"-39"	29 5/8" - 30 1/8"	33"	18"	52 3/4"	\$198.00
OP22-0122L/R*	40"-44"	40"-44"	35 1/2" - 36 1/8"	34"	21"	56 3/4"	\$198.00
OP22-0123L/R*	45"-48"	45"-48"	34 1/4" - 34 3/4"	41"	21"	63 3/4"	\$198.00

DOOR EQUIPMENT

Operator Parts

Drive Arm Assemblies

Single & Two Speed Door Opening

29" Header Height

Part No.	S/S	2/SP	"C" DIM	"E" DIM	"F" DIM	"OA" DIM	List Price
OP22-0124L/R*	30"-34"	30"-34"	24 7/8" - 26"	38"	17"	56 3/4"	\$198.00
OP22-0125L/R*	35"-39"	35"-39"	29 7/8" - 30 3/8"	36"	18"	55 3/4"	\$198.00
OP22-0126L/R*	40"-44"	40"-44"	35 3/4" - 36 1/4"	37"	21"	59 3/4"	\$198.00
OP22-0127L/R*	45"-48"	45"-48"	34 1/4" - 34 3/4"	45"	21"	67 3/4"	\$198.00

33" Header Height

Part No.	S/S	2/SP	"C" DIM	"E" DIM	"F" DIM	"OA" DIM	List Price
OP22-0128L/R*	30"-34"	30"-34"	24 7/8" - 26"	42"	17"	60 3/4"	\$198.00
OP22-0129L/R*	35"-39"	35"-39"	30" - 30 1/2"	40"	18"	59 3/4"	\$198.00
OP22-0130L/R*	40"-44"	40"-44"	35 7/8" - 36 3/8"	41"	21"	63 3/4"	\$198.00
OP22-0131L/R*	45"-48"	45"-48"	34 1/2" - 35"	48"	21"	70 3/4"	\$198.00

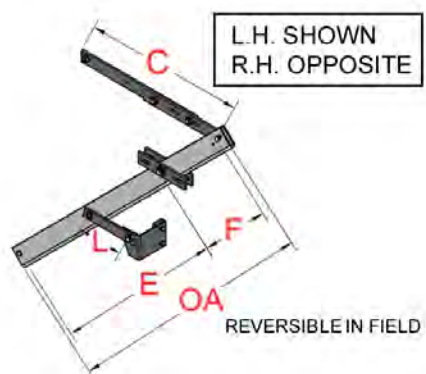
37" Header Height

Part No.	S/S	2/SP	"C" DIM	"E" DIM	"F" DIM	"OA" DIM	List Price
OP22-0132L/R*	30"-34"	30"-34"	25 5/8" - 26 3/4"	44"	19"	64 3/4"	\$198.00
OP22-0133L/R*	35"-39"	35"-39"	30 1/4" - 30 3/4"	43"	18"	62 3/4"	\$198.00
OP22-0134L/R*	40"-44"	40"-44"	36 1/8" - 36 5/8"	44"	22"	67 3/4"	\$198.00
OP22-0135L/R*	45"-48"	45"-48"	34 1/2" - 35"	52"	21"	74 3/4"	\$352.00

41" Header Height

Part No.	S/S	2/SP	"C" DIM	"E" DIM	"F" DIM	"OA" DIM	List Price
OP22-0136L/R*	30"-34"	30"-34"	25 1/2" - 26 3/4"	48"	19"	68 3/4"	\$198.00
OP22-0137L/R*	35"-39"	35"-39"	30 3/8" - 30 3/4"	47"	18"	66 3/4"	\$198.00
OP22-0138L/R*	40"-44"	40"-44"	36 5/8" - 37 1/8"	47"	22"	70 3/4"	\$198.00
OP22-0139L/R*	45"-48"	45"-48"	34 1/2" - 35"	56"	21"	78 3/4"	\$352.00

Two Speed Small Door Opening



Note:

- Standard door drive arms are those used for 8'-0" high cabs with 7'-0" high opening as a rule. (See 13" Header Table)
- Special door drive arms are for high cabs over 8'-0", and/or headers more than 13" high for S/S, 2/SP, 3/SP, and 15" high for C/P and 2SP/CP opening. **A field survey must be done and submitted before fabrication can begin.**

13" Header Height

Part No.	2/SP	"C" DIM	"E" DIM	"F" DIM	"L" DIM	"OA" DIM	List Price
OP22-0054L/R*	24"-24"	17 3/4"	30"	11"	4 1/2"	42 3/4"	\$204.00
OP22-0055L/R*	25"-25"	17 5/8"	30"	11"	5 1/2"	42 3/4"	\$204.00
OP22-0056L/R*	26"-26"	17 3/8"	30"	11"	6 1/2"	42 3/4"	\$204.00
OP22-0058L/R*	27"-27"	20 7/16"	30"	12"	5 3/4"	43 3/4"	\$204.00
OP22-0059L/R*	28"-28"	20 1/4"	30"	12"	6 3/4"	43 3/4"	\$204.00
OP22-0060L/R*	29"-29"	20"	30"	12"	7 3/4"	43 3/4"	\$204.00

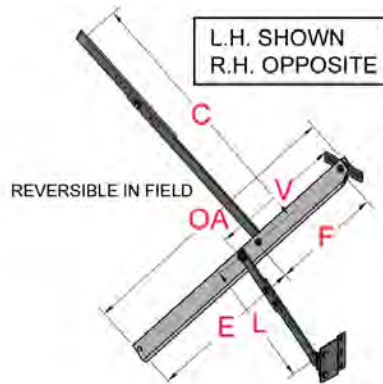
DOOR EQUIPMENT

Operator Parts

Drive Arm Assemblies

Drive Arm
Assemblies

Two Speed Large Door Opening



Note:

- Tables shown here are for elevator cabs 8' 0" high.
- Door drive arms that exceed 72" O.A. Dim in length comes with a reinforced aluminum arm.
- Special door drive arms are for high cabs over 8'-0", and/or headers more than 13" high for S/S, 2/SP, 3/SP, and 15" high for C/P and 2SP/CP opening. **A field survey must be done and submitted before fabrication can begin.**

15" Header Height

Part No.	2/SP	"C" DIM	"E" DIM	"F" DIM	"L" DIM	"OA" DIM	"V" DIM	List Price
OP22-0012L/R	49"-52"	34 1/8" - 34 3/4"	32"	22"	14 1/2" - 17 1/4"	55 3/4"	26"	\$167.00
OP22-0013L/R	53"-56"	34 3/8" - 35 1/8"	35"	23"	16 1/2" - 19 1/2"	59 3/4"	28 1/2"	\$167.00

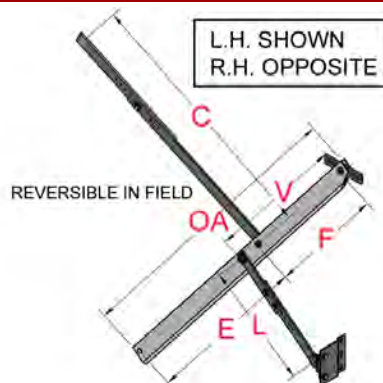
17" Header Height

Part No.	2/SP	"C" DIM	"E" DIM	"F" DIM	"L" DIM	"OA" DIM	"V" DIM	List Price
OP22-0014L/R	57"-60"	35" - 35 1/2"	36"	24"	17 3/4" - 20 3/4"	61 3/4"	29"	\$167.00
OP22-0015L/R	61"-64"	35 1/2" - 36"	40"	25"	20 3/8" - 23 3/8"	66 3/4"	32"	\$167.00

19" Header Height

Part No.	2/SP	"C" DIM	"E" DIM	"F" DIM	"L" DIM	"OA" DIM	"V" DIM	List Price
OP22-0016L/R	65"-68"	35 7/8" - 36 3/8"	41"	26"	21 9/16" - 24 9/16"	68 3/4"	33"	\$167.00
OP22-0017L/R	69"-72"	36 1/8" - 36 5/8"	45"	27"	24 1/4" - 27 1/4"	73 3/4"	35 1/2"	\$321.00

Three Speed Door Opening



Note:

- Tables shown here are for elevator cabs 8' 0" high.
- Elevator cabs over 8'-0" high, contact G.A.L. Sales or Engineering Department.
- **A field survey must be done and submitted before fabrication can begin.**

13" Header Height

Part No.	3/SP	"C" DIM	"E" DIM	"F" DIM	"L" DIM	"OA" DIM	"V" DIM	List Price
OP22-0072L/R*	30"-30"	24 15/16"	32"	16"	3 5/8"	49 3/4"	31"	\$167.00
OP22-0073L/R*	31"-31"	25 1/8"	32"	16"	3 15/16"	49 3/4"	31 1/8"	\$167.00
OP22-0074L/R*	32"-32"	25 1/4"	32"	16"	4 1/4"	49 3/4"	31 1/4"	\$167.00
OP22-0075L/R*	33"-33"	25 3/8"	32"	16"	4 9/16"	49 3/4"	31 3/8"	\$167.00

DOOR EQUIPMENT

Operator Parts

Drive Arm Assemblies

Three Speed Door Opening

13" Header Height

Part No.	3/SP	"C" DIM	"E" DIM	"F" DIM	"L" DIM	"OA" DIM	"V" DIM	List Price
OP22-0076L/R*	34"-34"	25 1/2"	32"	16"	4 7/8"	49 3/4"	31 1/2"	\$167.00
OP22-0077L/R*	35"-35"	25 5/8"	32"	18"	3 5/8"	51 3/4"	32 1/4"	\$167.00
OP22-0078L/R*	36"-36"	25 3/4"	32"	18"	4 1/4"	51 3/4"	32 3/8"	\$167.00
OP22-0079L/R*	37"-37"	25 15/16"	32"	18"	4 7/8"	51 3/4"	32 1/2"	\$167.00
OP22-0080L/R*	38"-38"	26 1/8"	32"	18"	5 1/2"	51 3/4"	32 5/8"	\$167.00
OP22-0081L/R*	39"-39"	26 1/4"	32"	18"	6 1/8"	51 3/4"	32 3/4"	\$167.00
OP22-0082L/R*	40"-40"	30 3/8"	31"	20"	4 1/8"	52 3/4"	32 1/4"	\$167.00
OP22-0083L/R*	41"-41"	30 9/16"	31"	20"	4 3/4"	52 3/4"	32 1/2"	\$167.00
OP22-0084L/R*	42"-42"	30 3/4"	31"	20"	5 3/8"	52 3/4"	32 3/4"	\$167.00
OP22-0085L/R*	43"-43"	30 15/16"	31"	20"	6"	52 3/4"	33"	\$167.00
OP22-0086L/R*	44"-44"	30 1/8"	31"	20"	6 1/2"	52 3/4"	33 1/4"	\$167.00

17" Header Height

Part No.	3/SP	"C" DIM	"E" DIM	"F" DIM	"L" DIM	"OA" DIM	"V" DIM	List Price
OP22-0087L/R*	45"-45"	28 3/4"	36"	20"	5 3/4"	57 3/4"	35 3/4"	\$222.00
OP22-0088L/R*	46"-46"	28 7/8"	36"	20"	6 3/8"	57 3/4"	35 7/8"	\$222.00
OP22-0089L/R*	47"-47"	29 1/16"	36"	20"	7"	57 3/4"	36 1/8"	\$222.00
OP22-0090L/R*	48"-48"	29 1/4"	36"	20"	7 5/8"	57 3/4"	36 7/8"	\$222.00
OP22-0091L/R*	49"-49"	29 3/8"	36"	20"	8 1/4"	57 3/4"	36 1/2"	\$222.00
OP22-0092L/R*	50"-50"	33 7/8"	35"	22"	6 1/4"	58 3/4"	35 7/8"	\$222.00
OP22-0093L/R*	51"-51"	34 0/1"	35"	22"	6 13/16"	58 3/4"	36 1/8"	\$222.00
OP22-0094L/R*	52"-52"	34 3/16"	35"	22"	7 3/8"	58 3/4"	36 3/8"	\$222.00
OP22-0095L/R*	53"-53"	34 3/8"	35"	22"	7 15/16"	58 3/4"	36 5/8"	\$222.00
OP22-0096L/R*	54"-54"	34 1/2"	35"	22"	8 1/2"	58 3/4"	36 7/8"	\$222.00
OP22-0097L/R*	55"-55"	34 1/4"	39"	22"	7 3/4"	62 3/4"	38 7/8"	\$222.00
OP22-0098L/R*	56"-56"	34 3/8"	39"	22"	8 3/8"	62 3/4"	39"	\$222.00
OP22-0099L/R*	57"-57"	34 9/16"	39"	22"	9"	62 3/4"	39 1/4"	\$222.00
OP22-0100L/R*	58"-58"	34 3/4"	39"	22"	9 5/8"	62 3/4"	39 1/2"	\$222.00
OP22-0101L/R*	59"-59"	34 7/8"	39"	22"	10 1/4"	62 3/4"	39 5/8"	\$222.00
OP22-0102L/R*	60"-60"	34 1/8"	39"	23"	8 1/2"	63 3/4"	39"	\$222.00
OP22-0103L/R*	61"-61"	34 1/4"	39"	23"	9 1/16"	63 3/4"	39 1/4"	\$222.00
OP22-0104L/R*	62"-62"	34 1/2"	39"	23"	9 5/8"	63 3/4"	39 1/2"	\$222.00
OP22-0105L/R*	63"-63"	34 5/8"	39"	23"	10 3/16"	63 3/4"	39 3/4"	\$222.00
OP22-0106L/R*	64"-64"	34 3/4"	39"	23"	10 3/4"	63 3/4"	40"	\$222.00
OP22-0107L/R*	65"-65"	34 5/8"	42"	24"	9"	67 3/4"	41 3/8"	\$222.00
OP22-0108L/R*	66"-66"	34 3/4"	42"	24"	9 9/16"	67 3/4"	41 5/8"	\$222.00
OP22-0109L/R*	67"-67"	34 15/16"	42"	24"	10 1/8"	67 3/4"	42"	\$222.00
OP22-0110L/R*	68"-68"	35 1/8"	42"	24"	10 11/16"	67 3/4"	42 3/8"	\$222.00
OP22-0111L/R*	69"-69"	35 1/4"	42"	24"	11 1/4"	67 3/4"	42 5/8"	\$222.00

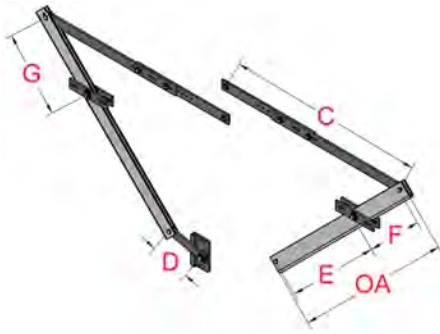
DOOR EQUIPMENT

Operator Parts

Drive Arm Assemblies

Drive Arm Assemblies

Center Parting Door Opening



Note:

- The 15" & 17" header tables below are for elevator cabs 8' 0" high.
- Center Parting Drive Arm Assemblies are arranged for left hand clutches only.
- For cab heights over 8'-0" with 7'-0" door opening, a field survey must be done and submitted before fabrication can begin.

15" Header Height

Part No.	C/P	"C" DIM	"D" DIM	"E" DIM	"F" DIM	"G" DIM	"OA" DIM	List Price
OP22-0007N	30"-33"	25 1/16" - 25 1/2"	5"	19 3/4"	12"	11 1/2"	33 1/4"	\$308.00
OP22-0008N	34"-39"	27 1/2" - 28 1/8"	6"	21"	12"	11 1/2"	34 1/2"	\$308.00
OP22-0009N	40"-49"	29 1/8" - 30 1/8"	6"	25 1/2"	12"	11 1/2"	39"	\$308.00

17" Header Height

Part No.	C/P	"C" DIM	"D" DIM	"E" DIM	"F" DIM	"G" DIM	"OA" DIM	List Price
OP22-0010N	50"-54"	34" - 34 9/16"	8"	29 1/2"	15"	13"	46"	\$308.00
OP22-0011N	55"-59"	35" - 35 1/2"	8"	29 1/2"	15"	14 1/2"	46"	\$308.00

19" Header Height

Part No.	C/P	"C" DIM	"D" DIM	"E" DIM	"F" DIM	"G" DIM	"OA" DIM	List Price
OP22-0140N*	30"-33"	25 3/4" - 26 1/8"	5"	23"	14"	13"	38 3/4"	\$432.00
OP22-0141N*	34"-39"	28 1/4" - 28 7/8"	6"	25"	12"	11"	38 3/4"	\$432.00
OP22-0142N*	40"-44"	29 1/2" - 30"	6"	39"	12"	11"	42 3/4"	\$432.00
OP22-0143N*	45"-49"	30 1/4" - 30 3/4"	6"	28"	14"	13"	43 3/4"	\$432.00
OP22-0144N*	50"-53"	34 1/2" - 34 7/8"	8"	31"	15"	13"	47 3/4"	\$432.00

23" Header Height

Part No.	C/P	"C" DIM	"D" DIM	"E" DIM	"F" DIM	"G" DIM	"OA" DIM	List Price
OP22-0145N*	30"-33"	26 1/8" - 26 1/2"	5"	25"	15"	14"	41 3/4"	\$432.00
OP22-0146N*	34"-39"	29 1/8" - 29 3/4"	6"	28 1/2"	14"	13"	44 1/4"	\$432.00
OP22-0147N*	40"-44"	29 7/8" - 30 3/8"	6"	31 1/2"	14"	13"	47 1/4"	\$432.00
OP22-0148N*	45"-49"	30 5/8" - 31 1/8"	6"	30"	15"	14"	46 3/4"	\$432.00
OP22-0149N*	50"-53"	34 7/8" - 35 1/4"	8"	34"	16"	14"	51 3/4"	\$432.00

27" Header Height

Part No.	C/P	"C" DIM	"D" DIM	"E" DIM	"F" DIM	"G" DIM	"OA" DIM	List Price
OP22-0150N*	30"-33"	26 1/2" - 26 7/8"	5"	29"	15"	14"	45 3/4"	\$432.00
OP22-0152N*	40"-44"	30 3/8" - 30 7/8"	6"	34"	15"	14"	50 3/4"	\$432.00
OP22-0148N*	45"-49"	29 1/2" - 30"	6"	30"	15"	14"	46 3/4"	\$432.00
OP22-0153N*	45"-49"	30 7/8" - 31 3/8"	6"	33"	16"	15"	50 3/4"	\$432.00
OP22-0154N*	50"-53"	35 1/2" - 35 7/8"	8"	37"	17"	15"	55 3/4"	\$432.00

DOOR EQUIPMENT

Operator Parts

Drive Arm Assemblies

Center Parting Door Opening

31" Header Height

Part No.	C/P	"C" DIM	"D" DIM	"E" DIM	"F" DIM	"G" DIM	"OA" DIM	List Price
OP22-0155N*	30"-33"	27" - 27 3/8"	5"	30"	18"	17"	49 3/4"	\$432.00
OP22-0156N*	34"-39"	30 1/8" - 30 3/4"	6"	33"	17"	16"	51 3/4"	\$432.00
OP22-0157N*	40"-44"	30 5/8" - 31 1/8"	6"	35 1/2"	18"	16 1/2"	55 1/4"	\$432.00
OP22-0158N*	45"-49"	31 1/4" - 31 3/4"	6"	34"	18"	17"	53 3/4"	\$432.00
OP22-0159N*	50"-53"	35 3/4" - 36 1/8"	8"	40"	17"	15"	58 3/4"	\$432.00

35" Header Height

Part No.	C/P	"C" DIM	"D" DIM	"E" DIM	"F" DIM	"G" DIM	"OA" DIM	List Price
OP22-0160N*	30"-33"	27 1/2" - 27 7/8"	5"	34"	18"	16"	53 3/4"	\$432.00
OP22-0161N*	34"-39"	30 5/8" - 31 1/4"	6"	36"	17"	16"	54 3/4"	\$432.00
OP22-0162N*	40"-44"	31 1/8" - 31 5/8"	6"	38"	19"	17 1/2"	58 3/4"	\$432.00
OP22-0163N*	45"-49"	31 3/4" - 32 1/4"	6"	37"	20"	19"	58 3/4"	\$432.00
OP22-0164N*	50"-53"	36 1/4" - 36 5/8"	8"	42"	19"	17"	62 3/4"	\$432.00

39" Header Height

Part No.	C/P	"C" DIM	"D" DIM	"E" DIM	"F" DIM	"G" DIM	"OA" DIM	List Price
OP22-0165N*	30"-33"	27 7/8" - 28 1/4"	5"	36"	20"	18"	57 3/4"	\$432.00
OP22-0166N*	34"-39"	31 1/2" - 32 1/8"	6"	38"	20"	19"	59 3/4"	\$432.00
OP22-0167N*	40"-44"	31 1/2" - 32"	6"	40"	22"	19 3/4"	63 3/4"	\$432.00
OP22-0168N*	45"-49"	32 1/2" - 32 5/8"	6"	40"	20"	19"	61 3/4"	\$432.00
OP22-0169N*	50"-53"	36 3/4" - 37 1/8"	8"	44"	21"	19"	66 3/4"	\$432.00

43" Header Height

Part No.	C/P	"C" DIM	"D" DIM	"E" DIM	"F" DIM	"G" DIM	"OA" DIM	List Price
OP22-0170N*	30"-33"	28 3/8" - 28 3/4"	5"	39"	21"	19"	61 3/4"	\$432.00
OP22-0171N*	34"-39"	31 5/8" - 32 3/8"	6"	42"	18"	17"	61 3/4"	\$432.00
OP22-0172N*	40"-44"	31 7/8" - 32 1/8"	6"	43"	22"	20 1/2"	66 3/4"	\$432.00
OP22-0173N*	45"-49"	32 1/2" - 33"	6"	44"	20"	19"	65 3/4"	\$432.00
OP22-0174N*	50"-53"	37 1/4" - 37 5/8"	8"	47"	22"	20"	70 3/4"	\$432.00

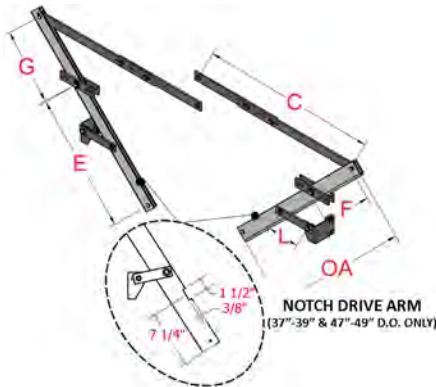
DOOR EQUIPMENT

Operator Parts

Drive Arm Assemblies

Drive Arm
Assemblies

Two Speed Center Parting Door Opening



Note:

- The tables shown here are for standard 8' 0" high cabs.
- Door links & brackets not included. Refer to *Door Link & Bracket Assemblies* (page 91) to purchase it as an additional part.
- Cabs over 8' 0" high, contact G.A.L. Sales or Engineering department. A field survey must be done and submitted.

15" Header Height (Used With Type "A" Hanger)

Part No.	2SP/CP	"C" DIM	"E" DIM	"F" DIM	"G" DIM	"L" DIM	"OA" DIM	List Price
OP22-0018N	32"-32"	22 5/8" - 22 3/4"	20"	13"	11"	3"	34 3/4"	\$407.00
OP22-0644N	33"-33"	22 5/8"	20"	13"	11"	3 1/2"	34 3/4"	\$407.00
OP22-0019N	34"-34"	22 5/8"	20"	13"	11"	4"	34 3/4"	\$407.00
OP22-0020N	35"-36"	24 3/8" - 24 5/8"	20 1/2"	13"	11"	3 1/2"	35 1/4"	\$407.00
OP22-0021N	37"-38"	24" - 24 1/8"	20 1/2"	13"	11"	4"	35 1/4"	\$407.00
OP22-0645N	39"-39"	24"	20 1/2"	13"	11"	4 1/2"	35 1/4"	\$407.00
OP22-0022N	40"-41"	25 3/4" - 25 7/8"	24 1/2"	13"	11"	4"	39 1/4"	\$407.00
OP22-0023N	42"-43"	25 3/8" - 25 1/2"	24 1/2"	13"	11"	4 1/2"	39 1/4"	\$407.00
OP22-0646N	44"-44"	25 3/8"	24 1/2"	13"	11"	5"	39 1/4"	\$407.00
OP22-0024N	45"-45"	26 15/16" - 27 1/16"	26"	13"	11"	4 1/2"	40 3/4"	\$407.00
OP22-0025N	46"-48"	26 11/16"	26"	13"	11"	5"	40 3/4"	\$407.00
OP22-0026N	49"-49"	26 9/16"	26"	13"	11"	5 1/2"	40 3/4"	\$407.00

15" Header Height (Used With Type "C" Hanger)

Part No.	2SP/CP	"C" DIM	"E" DIM	"F" DIM	"G" DIM	"L" DIM	"OA" DIM	List Price
OP22-0043N	32"-32"	22 5/8" - 22 3/4"	20"	13"	11"	4 1/2"	34 3/4"	\$407.00
OP22-0655N	33"-33"	22 5/8"	20"	13"	11"	4 1/2"	34 3/4"	\$407.00
OP22-0044N	34"-34"	22 5/8"	20"	13"	11"	5"	34 3/4"	\$407.00
OP22-0045N	35"-36"	24 3/8" - 24 5/8"	20 1/2"	13"	11"	4 1/2"	35 1/4"	\$407.00
OP22-0046N	37"-38"	24" - 24 1/8"	20 1/2"	13"	11"	4 1/2"-5"	35 1/4"	\$407.00
OP22-0656N	39"-39"	24"	20 1/2"	13"	11"	5"	35 1/4"	\$407.00
OP22-0047N	40"-41"	25 3/4" - 25 7/8"	24 1/2"	13"	11"	5"	39 1/4"	\$407.00
OP22-0048N	42"-43"	25 3/8" - 25 1/2"	24 1/2"	13"	11"	5 1/2"	39 1/4"	\$407.00
OP22-0657N	44"-44"	25 3/8"	24 1/2"	13"	11"	5 1/2"	39 1/4"	\$407.00
OP22-0049N	45"-45"	26 15/16" - 27 1/16"	26"	13"	11"	5 1/2"	40 3/4"	\$407.00
OP22-0050N	46"-48"	26 11/16"	26"	13"	11"	5 1/2"-6"	40 3/4"	\$407.00
OP22-0051N	49"-49"	26 9/16"	26"	13"	11"	6"	40 3/4"	\$407.00

17" Header Height (Used With Type "A" Hanger)

Part No.	2SP/CP	"C" DIM	"E" DIM	"F" DIM	"G" DIM	"L" DIM	"OA" DIM	List Price
OP22-0027N	50"-50"	29 5/16" - 29 7/16"	29 1/2"	15"	13"	4 1/2"	46 1/4"	\$407.00
OP22-0647N	51"-51"	29 5/16"	29 1/2"	15"	13"	5"	46 1/4"	\$407.00
OP22-0028N	52"-52"	29 1/16" - 29 3/16"	29 1/2"	15"	13"	5 1/2"	46 1/4"	\$407.00

DOOR EQUIPMENT**Operator Parts****Drive Arm Assemblies****Two Speed Center Parting Door Opening****17" Header Height (Used With Type "C" Hanger)**

Part No.	2SP/CP	"C" DIM	"E" DIM	"F" DIM	"G" DIM	"L" DIM	"OA" DIM	List Price
OP22-0052N	50"-50"	29 5/16" - 29 7/16"	29 1/2"	15"	13"	4 1/2"	46 1/4"	\$407.00
OP22-0658N	51"-51"	29 5/16"	29 1/2"	15"	13"	65"	46 1/4"	\$407.00
OP22-0053N	52"-52"	29 5/16" - 29 7/16"	29 1/2"	15"	13"	5 1/2"	46 1/4"	\$407.00

17" Header Height (Used With Type "A" & "C" Hanger)

Part No.	2SP/CP	"C" DIM	"E" DIM	"F" DIM	"G" DIM	"L" DIM	"OA" DIM	List Price
OP22-0648N	53"-53"	29 1/16"	29 1/2"	15"	13"	6"	46 1/4"	\$407.00
OP22-0029N	54"-54"	28 15/16"	29 1/2"	15"	13"	6 1/2"	46 1/4"	\$407.00
OP22-0030N	55"-55"	30 3/4" - 30 7/8"	31 1/2"	14"	12"	6 1/2"	47 1/4"	\$407.00
OP22-0649N	56"-56"	30 3/4"	31 1/2"	14"	12"	7"	47 1/4"	\$407.00
OP22-0031N	57"-57"	30 1/2" - 30 5/8"	31 1/2"	14"	12"	7 1/2"	47 1/4"	\$407.00
OP22-0650N	58"-58"	30 1/2"	31 1/2"	14"	12"	8"	47 1/4"	\$407.00
OP22-0032N	59"-59"	30 3/8"	31 1/2"	14"	12"	8 1/2"	47 1/4"	\$407.00
OP22-0033N	60"-60"	35 1/4"	34"	16"	14"	5"	51 3/4"	\$407.00
OP22-0034N	61"-61"	35" - 35 1/8"	34"	16"	14"	5 1/2"	51 3/4"	\$407.00
OP22-0651N	62"-62"	35"	34"	16"	14"	6"	51 3/4"	\$407.00
OP22-0035N	63"-63"	34 7/8"	34"	16"	14"	6 1/2"	51 3/4"	\$407.00
OP22-0036N	64"-64"	34 3/4"	34"	16"	14"	7"	51 3/4"	\$407.00

19" Header Height (Used With Type "A" & "C" Hanger)

Part No.	2SP/CP	"C" DIM	"E" DIM	"F" DIM	"G" DIM	"L" DIM	"OA" DIM	List Price
OP22-0037N	65"-65"	36 1/16"	35"	18 1/2"	14 1/2"	7"	55 1/4"	\$407.00
OP22-0038N	66"-66"	35 13/16" - 35 15/16"	35"	18 1/2"	14 1/2"	7 1/2"	55 1/4"	\$407.00
OP22-0652N	67"-67"	35 13/16"	35"	18 1/2"	14 1/2"	8"	55 1/4"	\$407.00
OP22-0039N	68"-68"	35 11/16"	35"	18 1/2"	14 1/2"	8 1/2"	55 1/4"	\$407.00
OP22-0040N	69"-69"	35 9/16"	35"	18 1/2"	14 1/2"	9"	55 1/4"	\$407.00
OP22-0041N	70"-70"	38 5/16" - 38 7/16"	35"	19 1/2"	15 1/2"	8"	56 1/4"	\$407.00
OP22-0653N	71"-71"	38 5/16"	35"	19 1/2"	15 1/2"	8 1/2"	55 1/4"	\$407.00
OP22-0042N	72"-72"	38 3/16"	35"	19 1/2"	15 1/2"	9"	56 1/4"	\$407.00
OP22-0654N	73"-73"	38 1/16"	35"	19 1/2"	15 1/2"	9 1/2"	55 1/4"	\$407.00

DOOR EQUIPMENT

Operator Parts

Drive Arm Sub-Assemblies

Drive Arm
Assemblies

Center Parting Doors



R.H. Assy
on left side



L.H. Assy
on right side

Note: Link & bracket with “D” Dim ONLY applies to the right hand arm (Left Side) from corridor/hall.

15” Headers - Conventional

Part No.	C/P	“C” DIM	“D” DIM	“E” DIM	“F” DIM	“G” DIM	“OA” DIM	Left Hand List Price	Right Hand List Price
OP22-0411L/R	30”-33”	25 1/16”-25 1/2”	5”	19 3/4”	12”	11 1/2”	33 1/2”	\$136.00	\$179.00
OP22-0412L/R	34”-39”	27 1/2”-28 1/8”	6”	21”	12”	11 1/2”	34 3/4”	\$136.00	\$179.00
OP22-0413L/R	40”-49”	29 1/8”-30 1/8”	6”	25 1/2”	12”	11 1/2”	39 1/4”	\$136.00	\$179.00

17” Headers - Conventional

Part No.	C/P	“C” DIM	“D” DIM	“E” DIM	“F” DIM	“G” DIM	“OA” DIM	Left Hand List Price	Right Hand List Price
OP22-0414L/R	50”-54”	34”-34 9/16”	8”	29 1/2”	15”	13”	46 1/4”	\$136.00	\$179.00
OP22-0415L/R	55”-59”	35”-35 1/2”	8”	29 1/2”	15”	14 1/2”	46 1/4”	\$136.00	\$179.00

19” Headers - High Cab

Part No.	C/P	“C” DIM	“D” DIM	“E” DIM	“F” DIM	“G” DIM	“OA” DIM	Left Hand List Price	Right Hand List Price
OP22-0416L/R*	30”-33”	25 3/4”-26 1/8”	5”	23”	14”	13”	38 3/4”	\$198.00	\$241.00
OP22-0417L/R*	34”-39”	28 1/4”-28 7/8”	6”	25”	12”	11”	38 3/4”	\$198.00	\$241.00
OP22-0418L/R*	40”-49”	29 1/2”-30”	6”	29”	12”	11”	42 3/4”	\$198.00	\$241.00
OP22-0419L/R*	45”-49”	30 1/4”-30 3/4”	6”	28”	14”	13”	43 3/4”	\$198.00	\$241.00
OP22-0420L/R*	50”-53”	34 1/2”-34 7/8”	8”	31”	15”	13”	47 3/4”	\$198.00	\$241.00

23” Headers - High Cab

Part No.	C/P	“C” DIM	“D” DIM	“E” DIM	“F” DIM	“G” DIM	“OA” DIM	Left Hand List Price	Right Hand List Price
OP22-0421L/R*	30”-33”	26 1/8”-26 1/2”	5”	25”	15”	14”	41 3/4”	\$198.00	\$241.00
OP22-0422L/R*	34”-39”	29 1/8”-29 3/4”	6”	28 1/2”	14”	13”	44 1/4”	\$198.00	\$241.00
OP22-0423L/R*	40”-44”	29 7/8”-30 3/8”	6”	31 1/2”	14”	13”	47 1/4”	\$198.00	\$241.00
OP22-0424L/R*	45”-49”	30 5/8”-31 1/8”	6”	30”	15”	14”	46 3/4”	\$198.00	\$241.00
OP22-0425L/R*	50”-53”	34 7/8”-35 1/4”	8”	34”	16”	14”	51 3/4”	\$198.00	\$241.00

DOOR EQUIPMENT

Operator Parts

Drive Arm Sub-Assemblies

Center Parting Doors

27" Headers - High Cab

Part No.	C/P	"C" DIM	"D" DIM	"E" DIM	"F" DIM	"G" DIM	"OA" DIM	Left Hand List Price	Right Hand List Price
OP22-0426L/R*	30"-33"	26 1/2"-26 7/8"	5"	29"	15"	14"	45 3/4"	\$198.00	\$241.00
OP22-0424L/R*	34"-39"	29 3/8"-30"	6"	30"	15"	14"	46 3/4"	\$198.00	\$241.00
OP22-0428L/R*	40"-44"	30 3/8"-30 7/8"	6"	34"	15"	14"	50 3/4"	\$198.00	\$241.00
OP22-0429L/R*	45"-49"	30 7/8"-31 3/8"	6"	33"	16"	15"	50 3/4"	\$198.00	\$241.00
OP22-0430L/R*	50"-53"	35 1/2"-35 7/8"	8"	37"	17"	15"	55 3/4"	\$198.00	\$241.00

31" Headers - High Cab

Part No.	C/P	"C" DIM	"D" DIM	"E" DIM	"F" DIM	"G" DIM	"OA" DIM	Left Hand List Price	Right Hand List Price
OP22-0431L/R*	30"-33"	27"-27 3/8"	5"	30"	18"	17"	49 3/4"	\$198.00	\$241.00
OP22-0432L/R*	34"-39"	30 1/8"-30 3/4"	6"	33"	17"	16"	51 3/4"	\$198.00	\$241.00
OP22-0433L/R*	40"-44"	30 5/8"-31 1/8"	6"	35 1/2"	18"	16 1/2"	55 1/4"	\$198.00	\$241.00
OP22-0434L/R*	45"-49"	31 1/4"-31 3/4"	6"	34"	18"	17"	53 3/4"	\$198.00	\$241.00
OP22-0435L/R*	50"-53"	35 3/4"-36 1/8"	8"	40"	17"	15"	58 3/4"	\$198.00	\$241.00

35" Headers - High Cab

Part No.	C/P	"C" DIM	"D" DIM	"E" DIM	"F" DIM	"G" DIM	"OA" DIM	Left Hand List Price	Right Hand List Price
OP22-0436L/R*	30"-33"	27 1/2"-27 7/8"	5"	34"	18"	16"	53 3/4"	\$198.00	\$241.00
OP22-0437L/R*	34"-39"	30 5/8"-31 1/4"	6"	36"	17"	16"	54 3/4"	\$198.00	\$241.00
OP22-0438L/R*	40"-44"	31 1/8"-31 5/8"	6"	38"	19"	17 1/2"	58 3/4"	\$198.00	\$241.00
OP22-0439L/R*	45"-49"	31 3/4"-32 1/4"	6"	37"	20"	19"	58 3/4"	\$198.00	\$241.00
OP22-0440L/R*	50"-53"	36 1/4"-36 5/8"	8"	42"	19"	17"	62 3/4"	\$198.00	\$241.00

39" Headers - High Cab

Part No.	C/P	"C" DIM	"D" DIM	"E" DIM	"F" DIM	"G" DIM	"OA" DIM	Left Hand List Price	Right Hand List Price
OP22-0441L/R*	30"-33"	27 7/8"-28 1/4"	5"	36"	20"	18"	57 3/4"	\$198.00	\$241.00
OP22-0442L/R*	34"-39"	31 1/2"-32 1/8"	6"	38"	20"	19"	59 3/4"	\$198.00	\$241.00
OP22-0443L/R*	40"-44"	31 1/2"-32"	6"	40"	22"	19 3/4"	63 3/4"	\$198.00	\$241.00
OP22-0444L/R*	45"-49"	32 1/2"-32 5/8"	6"	40"	20"	19"	61 3/4"	\$198.00	\$241.00
OP22-0445L/R*	50"-53"	36 3/4"-37 1/8"	8"	44"	21"	19"	66 3/4"	\$198.00	\$241.00

43" Headers - High Cab

Part No.	C/P	"C" DIM	"D" DIM	"E" DIM	"F" DIM	"G" DIM	"OA" DIM	Left Hand List Price	Right Hand List Price
OP22-0446L/R*	30"-33"	28 3/8"-28 3/4"	5"	39"	21"	19"	61 3/4"	\$198.00	\$241.00
OP22-0447L/R*	34"-39"	31 5/8"-32 3/8"	6"	42"	18"	17"	61 3/4"	\$198.00	\$241.00
OP22-0448L/R*	40"-44"	31 7/8"-32 1/8"	6"	43"	22"	20 1/2"	66 3/4"	\$198.00	\$241.00
OP22-0449L/R*	45"-49"	32 1/2"-33"	6"	44"	20"	19"	65 3/4"	\$198.00	\$241.00
OP22-0450L/R*	50"-53"	37 1/4"-37 5/8"	8"	47"	22"	20"	70 3/4"	\$198.00	\$241.00

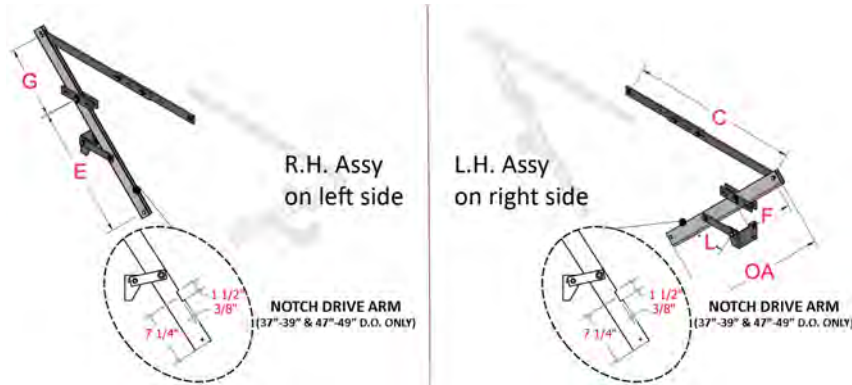
DOOR EQUIPMENT

Operator Parts

Drive Arm Sub-Assemblies

Drive Arm
Assemblies

Two Speed Center Parting Doors



Note: Door link & bracket not included. Refer to *Door Link & Bracket Assemblies* (Page 91) to purchase it as an additional part.

15" Headers - Conventional (Used With Type "A" Hanger)

Part No.	2SP/CP	"C" DIM	"E" DIM	"F" DIM	"G" DIM	"L" DIM	"OA" DIM	List Price
OP22-0451L/R	32"	22 3/4"	20"	13"	11"	3"	34 3/4"	\$204.00
OP22-0660L/R	33"	22 5/8"	20"	13"	11"	3 1/2"	34 3/4"	\$204.00
OP22-0452L/R	34"	22 5/8"	20"	13"	11"	4"	34 3/4"	\$204.00
OP22-0453L/R	35"-36"	24 1/2"-24 5/8"	20 1/2"	13"	11"	3 1/2"	35 1/4"	\$204.00
OP22-0454L/R	37"-38"	24 1/8"-24 3/8"	20 1/2"	13"	11"	4"	35 1/4"	\$204.00
OP22-0661L/R	39"	24"	20 1/2"	13"	11"	4 1/2"	35 1/4"	\$204.00
OP22-0455L/R	40"-41"	25 3/4"-25 7/8"	24 1/2"	13"	11"	4"	39 1/4"	\$204.00
OP22-0456L/R	42"-43"	25 1/2"-25 5/8"	24 1/2"	13"	11"	4 1/2"	39 1/4"	\$204.00
OP22-0662L/R	44"	25 3/8"	24 1/2"	13"	11"	5"	39 1/4"	\$204.00
OP22-0457L/R	45"	27 1/16"	26"	13"	11"	4 1/2"	40 3/4"	\$204.00
OP22-0458L/R	46"-48"	26 11/16"-26 15/16"	26"	13"	11"	5"	40 3/4"	\$204.00
OP22-0459L/R	49"	26 9/16"	26"	13"	11"	5 1/2"	40 3/4"	\$204.00

17" Headers - Conventional (Used With Type "A" Hanger)

Part No.	2SP/CP	"C" DIM	"E" DIM	"F" DIM	"G" DIM	"L" DIM	"OA" DIM	List Price
OP22-0460L/R	50"	29 7/16"	29 1/2"	15"	13"	4 1/2"	46 1/4"	\$204.00
OP22-0663L/R	51"	29 5/16"	29 1/2"	15"	13"	5"	46 1/4"	\$204.00
OP22-0461L/R	52"	29 3/16"	29 1/2"	15"	13"	5 1/2"	46 1/4"	\$204.00
OP22-0664L/R	53"	29 1/16"	29 1/2"	15"	13"	6"	46 1/4"	\$204.00

17" Headers - Conventional (Used With Type "A" & "C" Hanger)

Part No.	2SP/CP	"C" DIM	"E" DIM	"F" DIM	"G" DIM	"L" DIM	"OA" DIM	List Price
OP22-0462L/R	54"	28 15/16"	29 1/2"	15"	13"	6 1/2"	46 1/4"	\$204.00
OP22-0463L/R	55"	30 7/8"	31 1/2"	14"	12"	6 1/2"	47 1/4"	\$204.00
OP22-0665L/R	56"	30 3/4"	31 1/2"	14"	12"	7"	47 1/4"	\$204.00
OP22-0464L/R	57"	30 5/8"	31 1/2"	14"	12"	7 1/2"	47 1/4"	\$204.00
OP22-0666L/R	58"	30 1/2"	31 1/2"	14"	12"	8"	47 1/4"	\$204.00
OP22-0465L/R	59"	30 3/8"	31 1/2"	14"	12"	8 1/2"	47 1/4"	\$204.00
OP22-0466L/R	60"	35 1/4"	34"	16"	14"	5"	51 3/4"	\$204.00
OP22-0467L/R	61"	35 1/8"	34"	16"	14"	5 1/2"	51 3/4"	\$204.00
OP22-0667L/R	62"	35"	34"	16"	14"	6"	51 3/4"	\$204.00
OP22-0468L/R	63"	34 7/8"	34"	16"	14"	6 1/2"	51 3/4"	\$204.00
OP22-0469L/R	64"	34 3/4"	34"	16"	14"	7"	51 3/4"	\$204.00

DOOR EQUIPMENT

Operator Parts

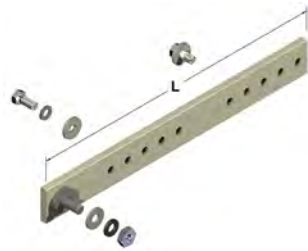
Drive Arm Sub-Assemblies

Two Speed Center Parting Doors

19" Headers - Conventional (Used With Type "A" & "C" Hanger)

Part No.	2SP/CP	"C" DIM	"E" DIM	"F" DIM	"G" DIM	"L" DIM	"OA" DIM	List Price
OP22-0470L/R	65"	36 1/16"	35"	18 1/2"	14 1/2"	7"	55 1/4"	\$204.00
OP22-0471L/R	66"	35 15/16"	35"	18 1/2"	14 1/2"	7 1/2"	55 1/4"	\$204.00
OP22-0668L/R	67"	35 13/16"	35"	18 1/2"	14 1/2"	8"	55 1/4"	\$204.00
OP22-0472L/R	68"	35 11/16"	35"	18 1/2"	14 1/2"	8 1/2"	55 1/4"	\$204.00
OP22-0473L/R	69"	35 9/16"	35"	18 1/2"	14 1/2"	9"	55 1/4"	\$204.00
OP22-0474L/R	70"	38 7/16"	35"	19 1/2"	15 1/2"	8"	56 1/4"	\$204.00
OP22-0669L/R	71"	38 5/16"	35"	19 1/2"	15 1/2"	8 1/2"	56 1/4"	\$204.00
OP22-0475L/R	72"	38 3/16"	35"	19 1/2"	15 1/2"	9"	56 1/4"	\$204.00
OP22-0670L/R	73"	38 1/16"	35"	19 1/2"	15 1/2"	9 1/2"	56 1/4"	\$204.00

Crank Arm Assemblies

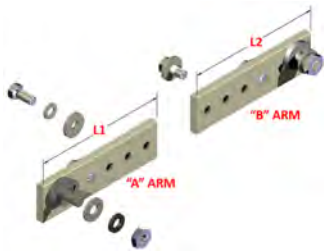


Discontinued "L" Operator Crank Arms (S/S - 2/SP - 3/SP)						
Discontinued August 2009						
Part No.	"L" DIM	Size Range	S/S	2/SP	3/SP	Replaced With
OP22-0492N	13"	4" - 5 7/8"		24"-26"	30"-31"	OP22-0740N
OP22-0493N	15"	5 5/16" - 8 1/2"	22"-39"	27"-39"	32"-39"	
OP22-0494N	17"	8 9/16" - 10 1/2"	40"-48"	40"-49"	40"-52"	
OP22-0495N	19"	10 9/16" - 12 7/8"		50"-64"	53"-67"	OP22-0741N
OP22-0496N	22 5/8"	12 15/16" - 15 3/8"		65"-72"	68"-69"	

Current crank arm used – as of August 2009

Part No.	S/S	2/SP	3/SP	"L" DIM	List Price
OP22-0740N	22"-48"	24"-48"	30"-49"	13 7/16"	\$47.00
OP22-0741N		49"-72"	50"-69"	17 7/16"	\$47.00

Crank Arm Assemblies - Center Parting



Discontinued "L" Operator Crank Arms (C/P – 2SP/CP)					
Discontinued August 2009					
Part No.	C/P	2SP/SP	"A" Arm	"B" Arm	Replacement Note
OP22-0497N	30"-49"	32"-37" 40"-46"	5"	5"	See table below for part No. replacement
OP22-0498N	50"-53"	38"-39" 47"-53" 55"-60"	5"	6 3/4"	
OP22-0499N	54"-58"	54" 60"-63"	6 3/4"	6 3/4"	
OP22-0500N	59"	64"-69"	6 3/4"	8 1/2"	
OP22-0501N		70"-72"	8 1/2"	10"	

Current crank arm used – as of August 2009

Part No.	C/P	2SP/CP	"L1" DIM "A" Arm	"L2" DIM "B" Arm	Size Range "A" Arm	Size Range "B" Arm	List Price
OP22-0742N	30"-49"	32"-49"	5 3/8"	5 3/8"	4 3/8" - 6 3/4"	4 3/8" - 6 3/4"	\$93.00
OP22-0743N	50"-54"	50"-59"	5 3/8"	7 1/8"	4 3/8" - 6 3/4"	6 1/4" - 8 5/8"	\$93.00
OP22-0744N	55"-64"		7 1/8"	7 1/8"	6 1/4" - 8 5/8"	6 1/4" - 8 5/8"	\$93.00
OP22-0745N	65"-83"		7 1/8"	9 3/8"	6 1/4" - 8 5/8"	8 1/2" - 10 7/8"	\$93.00
OP22-0746N		60"-64"	7 1/8"	7 1/8"	6 1/4" - 8 5/8"	6 1/4" - 8 5/8"	\$93.00
OP22-0747N		65"-83"	7 1/8"	9 3/8"	6 1/4" - 8 5/8"	8 1/2" - 10 7/8"	\$93.00

DOOR EQUIPMENT

Operator Parts

Drive Shoe and Crank Arm Assemblies

Drive Arm
Assemblies

Drive Shoe Assemblies



L.H. SHOWN
R.H. OPPOSITE

Part No.	Description	List Price
OP22-0506N	LDC Shoe, 36 3/4" OA Length Assembly, with MTG Angles	\$114.00
OP22-0507N	Shoe, 41" OA Length Assembly, with MTG Angles and Brace	\$195.00
OP22-0508N	Shoe, 46" OA Length Assembly, with MTG Angles and Brace	\$195.00
OP22-0509N	Shoe, 49" OA Length Assembly, with MTG Angles and Brace	\$195.00

Crank Arm With Roller Bearing (Shoe Drive)



Discontinued Shoe Drive Crank Arms				
Part No.	"L" DIM	Size Range	S/S & 2/SP	Replaced With
OP22-0502N	22 5/8"	13 5/8" - 16 1/8"	26"-31"	OP22-0748N
OP22-0503N	25 5/8"	16 5/8" - 19 1/8"	32"-37"	
OP22-0504N	28 5/8"	19 5/8" - 22 1/8"	38"-43"	OP22-0749N
OP22-0505N	31 5/8"	22 5/8" - 25 1/8"	44"-49"	

Current crank arm used – as of August 2009

Part No.	S/S & 2/SP	"L" DIM	Size Range	List Price
OP22-0748N	26"-37"	22 1/2"	13 5/16" - 19 9/16"	\$56.00
OP22-0749N	38"-49"	28 1/4"	13 5/16" - 19 9/16"	\$56.00
OP22-0752N*	49" & UP	Special Size	Special Size	\$111.00

Drive Shoe Parts

OP22-0510N



Bumper, LDC Shoe
List Price: \$9.40

OP22-0511N



Angle, LDC Drive Shoe
List Price: \$37.00

OP22-0512N



Brace, LDC Drive Shoe
List Price: \$37.00

DOOR EQUIPMENT

Operator Parts

Aluminum Drive Arm

Single & Two Speed D.O.

Note For 2/SP 24"-29" Door Openings:

Part No. OP22-0184N was used up to June 1994 for 24"-29" D.O.

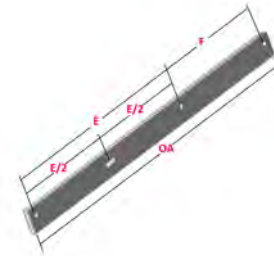
Part No. OP22-0405N & OP22-0406N are the current arms being used from June 1994 and on.

13" Headers - Conventional

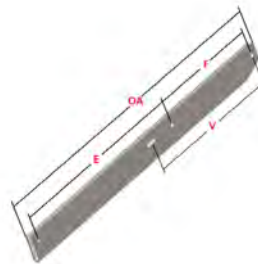


Part No.	S/S	2/SP	"E" DIM	"F" DIM	"OA" DIM	List Price
OP22-0182N	22"-24"		18"	14"	33 3/4"	\$56.00
OP22-0183N	25"-29"		19"	15"	35 3/4"	\$56.00
OP22-0184N	30"-34"	30"-34" 24"-29"	25"	15"	41 3/4"	\$56.00
OP22-0185N	35"-39"	35"-39"	24"	16"	41 3/4"	\$56.00
OP22-0186N	40"-44"	40"-44"	26"	20"	47 3/4"	\$56.00
OP22-0187N	45"-48"	45"-48"	31"	21"	53 3/4"	\$56.00

13" Headers - Conventional



Part No.	2/SP	"E" DIM	"F" DIM	"OA" DIM	List Price
OP22-0405N*	24"-26"	30"	11"	42 3/4"	\$56.00
OP22-0406N*	27"-29"	30"	12"	43 3/4"	\$56.00



15" Headers - Conventional

Part No.	2/SP	"E" DIM	"F" DIM	"OA" DIM	"V" DIM	List Price
OP22-0286N	49"-52"	32"	22"	55 3/4"	26"	\$71.00
OP22-0287N	53"-56"	35"	23"	59 3/4"	28 1/2"	\$71.00

17" Headers - Conventional

Part No.	2/SP	"E" DIM	"F" DIM	"OA" DIM	"V" DIM	List Price
OP22-0288N	57"-60"	36"	24"	61 3/4"	29"	\$71.00
OP22-0289N	61"-64"	40"	25"	66 3/4"	32"	\$71.00

19" Headers - Conventional

Part No.	2/SP	"E" DIM	"F" DIM	"OA" DIM	"V" DIM	List Price
OP22-0290N	65"-68"	41"	26"	68 3/4"	33"	\$71.00
OP22-0291N	69"-72"	45"	27"	73 3/4"	35 1/2"	\$71.00

17" Headers - (High Cab)

Part No.	S/S	2/SP	"E" DIM	"F" DIM	"OA" DIM	List Price
OP22-0188N*	30"-34"	30"-34"	29"	15"	45 3/4"	\$118.00
OP22-0189N*	35"-39"	35"-39"	28"	16"	45 3/4"	\$118.00
OP22-0190N*	40"-44"	40"-44"	29"	20"	50 3/4"	\$118.00
OP22-0191N*	45"-48"	45"-48"	34"	21"	56 3/4"	\$118.00

DOOR EQUIPMENT

Operator Parts

Aluminum Drive Arm

Drive Arm
Parts

Single & Two Speed D.O.

21" Headers - (High Cab)

Part No.	S/S	2/SP	"E" DIM	"F" DIM	"OA" DIM	List Price
OP22-0192N*	30"-34"	30"-34"	32"	15"	48 3/4"	\$118.00
OP22-0193N*	35"-39"	35"-39"	29"	18"	48 3/4"	\$118.00
OP22-0194N*	40"-44"	40"-44"	30"	21"	52 3/4"	\$118.00
OP22-0195N*	45"-48"	45"-48"	38"	21"	60 3/4"	\$118.00

25" Headers - (High Cab)

Part No.	S/S	2/SP	"E" DIM	"F" DIM	"OA" DIM	List Price
OP22-0196N*	30"-34"	30"-34"	36"	15"	52 3/4"	\$118.00
OP22-0197N*	35"-39"	35"-39"	33"	18"	52 3/4"	\$118.00
OP22-0191N*	40"-44"	40"-44"	34"	21"	56 3/4"	\$118.00
OP22-0198N*	45"-48"	45"-48"	41"	21"	63 3/4"	\$118.00

29" Headers - (High Cab)

Part No.	S/S	2/SP	"E" DIM	"F" DIM	"OA" DIM	List Price
OP22-0199N*	30"-34"	30"-34"	38"	17"	56 3/4"	\$118.00
OP22-0200N*	35"-39"	35"-39"	36"	18"	55 3/4"	\$118.00
OP22-0201N*	40"-44"	40"-44"	37"	21"	59 3/4"	\$118.00
OP22-0202N*	45"-48"	45"-48"	45"	21"	67 3/4"	\$118.00

33" Headers - (High Cab)

Part No.	S/S	2/SP	"E" DIM	"F" DIM	"OA" DIM	List Price
OP22-0203N*	30"-34"	30"-34"	42"	17"	60 3/4"	\$118.00
OP22-0204N*	35"-39"	35"-39"	40"	18"	59 3/4"	\$118.00
OP22-0198N*	40"-44"	40"-44"	41"	21"	63 3/4"	\$118.00
OP22-0205N*	45"-48"	45"-48"	48"	21"	70 3/4"	\$118.00

37" Headers - (High Cab)

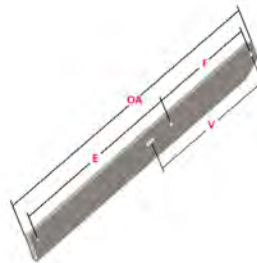
Part No.	S/S	2/SP	"E" DIM	"F" DIM	"OA" DIM	List Price
OP22-0206N*	30"-34"	30"-34"	44"	19"	64 3/4"	\$118.00
OP22-0207N*	35"-39"	35"-39"	43"	18"	62 3/4"	\$118.00
OP22-0208N*	40"-44"	40"-44"	44"	22"	67 3/4"	\$118.00
OP22-0209N*	45"-48"	45"-48"	52"	21"	74 3/4"	\$272.00

41" Headers - (High Cab)

Part No.	S/S	2/SP	"E" DIM	"F" DIM	"OA" DIM	List Price
OP22-0210N*	30"-34"	30"-34"	48"	19"	68 3/4"	\$118.00
OP22-0211N*	35"-39"	35"-39"	47"	18"	66 3/4"	\$118.00
OP22-0212N*	40"-44"	40"-44"	47"	22"	70 3/4"	\$118.00
OP22-0213N*	45"-48"	45"-48"	56"	21"	78 3/4"	\$272.00

Note: Part No. OP22-0209N and OP22-0213N are reinforced arms.

Three Speed: 30"-69" D.O.



15" Headers - Conventional

Part No.	3/SP	"E" DIM	"F" DIM	"OA" DIM	"V" DIM	List Price
OP22-0303N*	30"	32"	16"	49 3/4"	31"	\$71.00
OP22-0304N*	31"	32"	16"	49 3/4"	31 1/8"	\$71.00
OP22-0305N*	32"	32"	16"	49 3/4"	31 1/4"	\$71.00
OP22-0306N*	33"	32"	16"	49 3/4"	31 3/8"	\$71.00
OP22-0307N*	34"	32"	16"	49 3/4"	31 1/2"	\$71.00
OP22-0308N*	35"	32"	18"	51 3/4"	32 1/4"	\$71.00
OP22-0309N*	36"	32"	18"	51 3/4"	32 3/8"	\$71.00
OP22-0310N*	37"	32"	18"	51 3/4"	32 1/2"	\$71.00

Part No.	3/SP	"E" DIM	"F" DIM	"OA" DIM	"V" DIM	List Price
OP22-0311N*	38"	32"	18"	51 3/4"	32 5/8"	\$71.00
OP22-0312N*	39"	32"	18"	51 3/4"	32 3/4"	\$71.00
OP22-0313N*	40"	31"	20"	52 3/4"	32 1/4"	\$71.00
OP22-0314N*	41"	31"	20"	52 3/4"	32 1/2"	\$71.00
OP22-0315N*	42"	31"	20"	52 3/4"	32 3/4"	\$71.00
OP22-0316N*	43"	31"	20"	52 3/4"	33"	\$71.00
OP22-0317N*	44"	31"	20"	52 3/4"	33 1/4"	\$71.00

DOOR EQUIPMENT

Operator Parts

Aluminum Drive Arm

Three Speed: 30"-69" D.O.

17" Headers - Conventional

Part No.	3/SP	"E" DIM	"F" DIM	"OA" DIM	"V" DIM	List Price
OP22-0318N*	45"	36"	20"	57 3/4"	35 3/4"	\$71.00
OP22-0319N*	46"	36"	20"	57 3/4"	35 7/8"	\$71.00
OP22-0320N*	47"	36"	20"	57 3/4"	36 1/8"	\$71.00
OP22-0321N*	48"	36"	20"	57 3/4"	36 3/8"	\$71.00
OP22-0322N*	49"	36"	20"	57 3/4"	36 1/2"	\$71.00
OP22-0323N*	50"	35"	22"	58 3/4"	35 7/8"	\$71.00
OP22-0324N*	51"	35"	22"	58 3/4"	36 1/8"	\$71.00
OP22-0325N*	52"	35"	22"	58 3/4"	36 3/8"	\$71.00
OP22-0326N*	53"	35"	22"	58 3/4"	36 5/8"	\$71.00
OP22-0327N*	54"	35"	22"	58 3/4"	36 7/8"	\$71.00
OP22-0328N*	55"	39"	22"	62 3/4"	38 7/8"	\$71.00
OP22-0329N*	56"	39"	22"	62 3/4"	39"	\$71.00
OP22-0330N*	57"	39"	22"	62 3/4"	39 1/4"	\$71.00

Part No.	3/SP	"E" DIM	"F" DIM	"OA" DIM	"V" DIM	List Price
OP22-0331N*	58"	39"	22"	62 3/4"	39 1/2"	\$71.00
OP22-0332N*	59"	39"	22"	62 3/4"	39 5/8"	\$71.00
OP22-0333N*	60"	39"	23"	63 3/4"	39"	\$71.00
OP22-0334N*	61"	39"	23"	63 3/4"	39 1/4"	\$71.00
OP22-0335N*	62"	39"	23"	63 3/4"	39 1/2"	\$71.00
OP22-0336N*	63"	39"	23"	63 3/4"	39 3/4"	\$71.00
OP22-0337N*	64"	39"	23"	63 3/4"	40"	\$71.00
OP22-0338N*	65"	42"	24"	67 3/4"	41 3/8"	\$71.00
OP22-0339N*	66"	42"	24"	67 3/4"	41 5/8"	\$71.00
OP22-0340N*	67"	42"	24"	67 3/4"	42"	\$71.00
OP22-0341N*	68"	42"	24"	67 3/4"	42 3/8"	\$71.00
OP22-0342N*	69"	42"	24"	67 3/4"	42 5/8"	\$71.00

Center Parting D.O.



15" Headers - Conventional

Part No.	C/P	"E" DIM	"F" DIM	"G" DIM	"OA" DIM	List Price
OP22-0214N	30"-33"	19 3/4"	12"	11 1/2"	33 1/2"	\$56.00
OP22-0215N	34"-39"	21"	12"	11 1/2"	34 3/4"	\$56.00
OP22-0216N	40"-49"	25 1/2"	12"	11 1/2"	39 1/4"	\$56.00

17" Headers - Conventional

Part No.	C/P	"E" DIM	"F" DIM	"G" DIM	"OA" DIM	List Price
OP22-0217N	50"-54"	29 1/2"	15"	13"	46 1/4"	\$56.00
OP22-0218N	55"-59"	29 1/2"	15"	14 1/2"	46 1/4"	\$56.00

19" Headers - (High Cab)

Part No.	C/P	"E" DIM	"F" DIM	"G" DIM	"OA" DIM	List Price
OP22-0219N*	30"-33"	23"	14"	13"	38 3/4"	\$115.00
OP22-0220N*	34"-39"	25"	12"	11"	38 3/4"	\$118.00
OP22-0221N*	40"-44"	29"	12"	11"	42 3/4"	\$118.00
OP22-0222N*	45"-49"	28"	14"	13"	43 3/4"	\$118.00
OP22-0223N*	50"-53"	31"	15"	13"	47 3/4"	\$118.00

23" Headers - (High Cab)

Part No.	C/P	"E" DIM	"F" DIM	"G" DIM	"OA" DIM	List Price
OP22-0224N*	30"-33"	25"	15"	14"	41 3/4"	\$118.00
OP22-0225N*	34"-39"	28 1/2"	14"	13"	44 1/4"	\$118.00
OP22-0226N*	40"-44"	31 1/2"	14"	13"	47 1/4"	\$118.00
OP22-0227N*	45"-49"	30"	15"	14"	46 3/4"	\$118.00
OP22-0228N*	50"-53"	34"	16"	14"	51 3/4"	\$118.00

DOOR EQUIPMENT

Operator Parts

Aluminum Drive Arm

Drive Arm
Parts

Center Parting D.O.

27" Headers - (High Cab)

Part No.	C/P	"E" DIM	"F" DIM	"G" DIM	"OA" DIM	List Price
OP22-0229N*	30"-33"	29"	15"	14"	45 3/4"	\$118.00
OP22-0227N*	34"-39"	30"	15"	14"	46 3/4"	\$118.00
OP22-0230N*	40"-44"	34"	15"	14"	50 3/4"	\$118.00
OP22-0231N*	45"-49"	33"	16"	15"	50 3/4"	\$118.00
OP22-0232N*	50"-53"	37"	17"	15"	55 3/4"	\$118.00

31" Headers - (High Cab)

Part No.	C/P	"E" DIM	"F" DIM	"G" DIM	"OA" DIM	List Price
OP22-0233N*	30"-33"	30"	18"	17"	49 3/4"	\$118.00
OP22-0234N*	34"-39"	33"	17"	16"	51 3/4"	\$118.00
OP22-0235N*	40"-44"	35 1/2"	18"	16 1/2"	55 1/4"	\$118.00
OP22-0236N*	45"-49"	34"	18"	17"	53 3/4"	\$118.00
OP22-0237N*	50"-53"	40"	17"	15"	58 3/4"	\$118.00

35" Headers - (High Cab)

Part No.	C/P	"E" DIM	"F" DIM	"G" DIM	"OA" DIM	List Price
OP22-0238N*	30"-33"	34"	18"	16"	53 3/4"	\$118.00
OP22-0239N*	34"-39"	36"	17"	16"	54 3/4"	\$118.00
OP22-0240N*	40"-44"	38"	19"	17 1/2"	58 3/4"	\$118.00
OP22-0241N*	45"-49"	37"	20"	19"	58 3/4"	\$118.00
OP22-0242N*	50"-53"	42"	19"	17"	62 3/4"	\$118.00

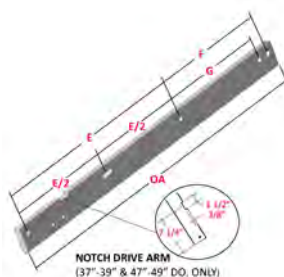
39" Headers - (High Cab)

Part No.	C/P	"E" DIM	"F" DIM	"G" DIM	"OA" DIM	List Price
OP22-0243N*	30"-33"	36"	20"	18"	57 3/4"	\$118.00
OP22-0244N*	34"-39"	38"	20"	19"	59 3/4"	\$118.00
OP22-0245N*	40"-44"	40"	22"	19 3/4"	63 3/4"	\$118.00
OP22-0246N*	45"-49"	40"	20"	19"	61 3/4"	\$118.00
OP22-0247N*	50"-53"	44"	21"	19"	66 3/4"	\$118.00

43" Headers - (High Cab)

Part No.	C/P	"E" DIM	"F" DIM	"G" DIM	"OA" DIM	List Price
OP22-0248N*	30"-33"	39"	21"	19"	61 3/4"	\$118.00
OP22-0249N*	34"-39"	42"	18"	17"	61 3/4"	\$118.00
OP22-0250N*	40"-44"	43"	22"	20 1/2"	66 3/4"	\$118.00
OP22-0251N*	45"-49"	44"	20"	19"	65 3/4"	\$118.00
OP22-0252N*	50"-53"	47"	22"	20"	70 3/4"	\$118.00

Two Speed Center Parting D.O.



15" Headers - Conventional

Part No.	2SP/CP	"E" DIM	"F" DIM	"G" DIM	"OA" DIM	List Price
OP22-0253N	32"-34"	20"	13"	11"	34 3/4"	\$56.00
OP22-0254N	35"-39"	20 1/2"	13"	11"	35 1/4"	\$56.00
OP22-0255N	40"-44"	24 1/2"	13"	11"	39 1/4"	\$56.00
OP22-0256N	45"-46"	26"	13"	11"	40 3/4"	\$56.00
OP22-0151N	47"-49"	26"	13"	11"	40 3/4"	\$56.00

17" Headers - Conventional

Part No.	2SP/CP	"E" DIM	"F" DIM	"G" DIM	"OA" DIM	List Price
OP22-0257N	50"-54"	29 1/2"	15"	13"	34 3/4"	\$56.00
OP22-0258N	55"-59"	31 1/2"	14"	12"	47 3/4"	\$56.00
OP22-0259N	60"-64"	34"	16"	14"	51 3/4"	\$56.00

19" Headers - Conventional

Part No.	2SP/CP	"E" DIM	"F" DIM	"G" DIM	"OA" DIM	List Price
OP22-0260N	65"-69"	35"	18 1/2"	14 1/2"	55 1/4"	\$56.00
OP22-0261N	70"-73"	35"	19 1/2"	15 1/2"	56 1/4"	\$56.00

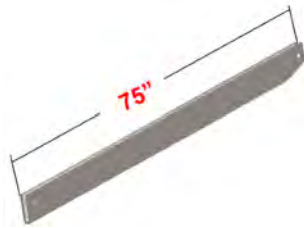
DOOR EQUIPMENT

Operator Parts

Aluminum Drive Arm

Universal Drive Arm

OP22-0531N*



Part No.	Description	List Price
OP22-0531N*	Universal Drive Arm 75" O.A. Length	\$118.00

Clutch Transfer Linkage Arm

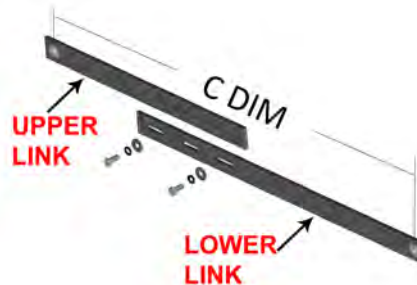
OP22-0699N*



Part No.	Description	List Price
OP22-0699N*	Arm, Clutch Transfer Linkage Aluminum	\$118.00

Drive Arm Connecting Links

Type "L" Operator Connecting Link



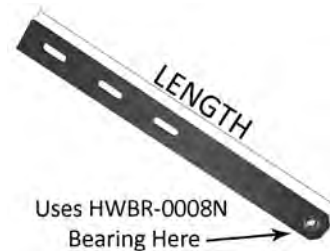
Part No.	S/S	2/SP	3/SP	C/P	2SP/CP	"C" DIM	Description	List Price
OP22-0175N	22"-34"	24"-34"	30"-39"	30"-33"	32"-49"	17 1/4"-27 1/4"	Link, Type I, 16 1/2" Lg. Operator Connecting Assembly	\$50.00
OP22-0176N	35"-48"	35"-59"	40"-51"	34"-59"	50"-59"	25 1/2"-35 1/2"	Link, Type II 24 3/4" Lg. Operator Connecting Assembly	\$50.00
OP22-0177N		60"-72"	52"-69"		60"-72"	33 3/4"-40 3/4"	Link, Type III 31" Lg. Operator Connecting Assembly, Link Connecting	\$50.00

Tapped Connecting Link (Upper)



Part No.	Description	List Price
OP22-0178N	Link, 17 1/4" Lg. Operator Connecting	\$31.00

Slotted Connecting Link (Lower)



Part No.	Description	List Price
OP22-0179N	Link, 16 1/2" Lg. Type I Slotted Connecting	\$18.60
OP22-0180N	Link, 24 3/4" Lg. Type II Slotted Connecting	\$18.60
OP22-0181N	Link, 31" Lg. Type III Slotted Connecting	\$18.60

DOOR EQUIPMENT

Operator Parts

Drive Arm Link & Brackets

Drive Arm
Parts

Link & Bracket Assemblies



Note: All Ferrous Material Yellow Zinc Dichromate Plated

Conventional Part No	Water Resistant Part No	S/S	2/SP	3/SP	C/P	2SP/CP	"D" DIM	Conventional List Price	Water Resistant List Price
OP22-0064N	OP22-0520N		24"-26"	30"-34"	30"-33"	32"-49"	5"	\$44.00	\$87.00
OP22-0065N	OP22-0522N	30"-34"	27"-34"	35"-39"	34"-49"	50"-59"	6"	\$44.00	\$87.00
OP22-0061N	OP22-0523N				60"-67"	60"-67"	7"	\$44.00	\$87.00
OP22-0066N	OP22-0524N	35"-39"	35"-39"	40"-44"	50"-59"	68"-74"	8"	\$44.00	\$87.00
OP22-0071N	OP22-0525N			45"-49"	75"-79"	75"-79"	9"	\$44.00	\$87.00
OP22-0067N	OP22-0526N	22"-29" 40"-44"	40"-44"			80"-83"	10"	\$44.00	\$87.00
OP22-0427N	OP22-0527N			50"-54"			11"	\$44.00	\$87.00
OP22-0068N	OP22-0528N	45"-48"	45"-56"	55"-59"			12"	\$44.00	\$87.00
OP22-0069N	OP22-0529N		57"-64"	60"-64"		118"	14"	\$44.00	\$87.00
OP22-0070N	OP22-0530N		65"-72"	65"-69"			16"	\$44.00	\$87.00
OP22-0698N*								\$81.00	

Door Link Replacement



Note: All Ferrous Material Yellow Zinc Dichromate Plated

Conventional Part No	Water Resistant Part No	S/S	2/SP	3/SP	C/P	2SP/CP	"L" DIM	Conventional List Price	Water Resistant List Price
OP22-0278N	OP22-0677N		24"-26"	30"-34"	30"-33"	32"-49"	5"	\$24.80	\$50.00
OP22-0280N	OP22-0678N	30"-34"	27"-34"	35"-39"	34"-49"	50"-59"	6"	\$24.80	\$50.00
OP22-0282N	OP22-0679N				60"-67"	60"-67"	7"	\$24.80	\$50.00
OP22-0283N	OP22-0680N	35"-39"	35"-39"	40"-44"	50"-59"	68"-74"	8"	\$24.80	\$50.00
OP22-0285N	OP22-0681N			45"-49"	75"-79"	75"-79"	9"	\$24.80	\$50.00
OP22-0513N	OP22-0682N	22"-29" 40"-44"	40"-44"			80"-83"	10"	\$24.80	\$50.00
OP22-0517N	OP22-0683N			50"-54"			11"	\$24.80	\$50.00
OP22-0514N	OP22-0684N	45"-48"	45"-56"	55"-59"			12"	\$24.80	\$50.00
OP22-0515N	OP22-0685N		57"-64"	60"-64"			14"	\$24.80	\$50.00
OP22-0516N	OP22-0686N		65"-72"	65"-69"			16"	\$24.80	\$50.00

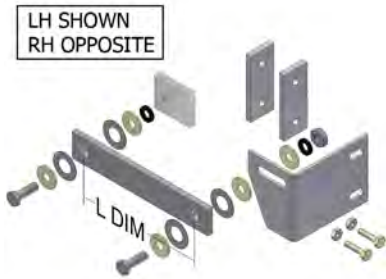
DOOR EQUIPMENT

Operator Parts

Slow Door Link & Brackets

Two Speed: 24"-29" D.O.

Link & Bracket Assemblies



Part No.	2/SP	"L" DIM	List Price
OP22-0265L/R	24"	4 1/2"	\$56.00
OP22-0267L/R	25"	5 1/2"	\$56.00
OP22-0269L/R	26"	6 1/2"	\$56.00
OP22-0407L/R	27"	5 3/4"	\$56.00
OP22-0408L/R	28"	6 3/4"	\$56.00
OP22-0409L/R	29"	7 3/4"	\$56.00

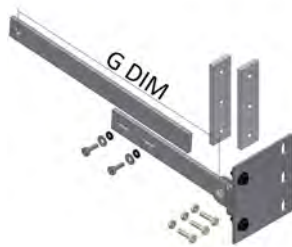
Links



Part No.	2/SP	"L" DIM	List Price
OP22-0277N	24"	4 1/2"	\$24.80
OP22-0279N	25"	5 1/2"	\$24.80
OP22-0281N	26"	6 1/2"	\$24.80
OP22-0386N	27"	5 3/4"	\$24.80
OP22-0410N	28"	6 3/4"	\$24.80
OP22-0394N	29"	7 3/4"	\$24.80

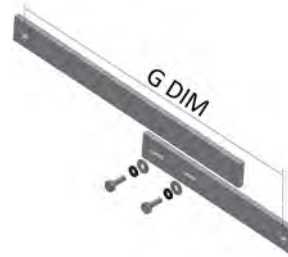
Two Speed: 49"-72" Large D.O.

Link & Bracket Assemblies



Part No.	2/SP	"G" DIM	List Price
OP22-0292N	49"-52"	14 1/2"- 17 1/4"	\$56.00
OP22-0293N	53"-56"	16 1/2"- 19 1/2"	\$56.00
OP22-0294N	57"-60"	17 3/4"- 20 3/4"	\$56.00
OP22-0295N	61"-64"	20 3/8"- 23 3/8"	\$56.00
OP22-0296N	65"-68"	21 9/16"- 24 9/16"	\$56.00
OP22-0297N	69"-72"	24 1/4"- 27 1/4"	\$81.00

Links



Part No.	2/SP	"G" DIM	List Price
OP22-0298N	49"-52"	14 1/2"- 17 1/4"	\$27.80
OP22-0299N	53"-56"	16 1/2"- 19 1/2"	\$27.80
OP22-0300N	57"-60"	17 3/4"- 20 3/4"	\$27.80
OP22-0301N	61"-64"	20 3/8"- 23 3/8"	\$27.80
OP22-0302N	65"-68"	21 9/16"- 24 9/16"	\$27.80
OP22-0175N	69"-72"	24 1/4"- 27 1/4"	\$50.00

DOOR EQUIPMENT

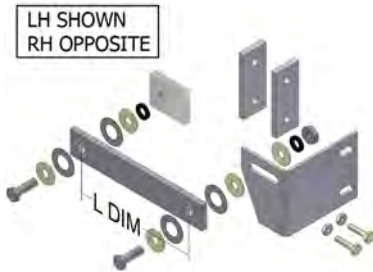
Operator Parts

Slow Door Link & Brackets

Drive Arm
Parts

Two Speed Center Parting: 32"-73" D.O.

Link & Bracket Assemblies



Links



Part No.	2SP/CP	"L" DIM	List Price
OP22-0262L/R	32"	3"	\$56.00
OP22-0263L/R	33", 35"-36"	3 1/2"	\$56.00
OP22-0264L/R	34", 37"-38" 40"-41"	4"	\$56.00
OP22-0265L/R	39", 42"-43" 45" 50"	4 1/2"	\$56.00
OP22-0266L/R	44", 46"-48" 51", 60"	5"	\$56.00
OP22-0267L/R	49", 52", 61"	5 1/2"	\$56.00
OP22-0268L/R	53", 62"	6"	\$56.00
OP22-0269L/R	54"-55", 63"	6 1/2"	\$56.00
OP22-0270L/R	56", 64"-65"	7"	\$56.00
OP22-0642L/R	57", 66"	7 1/2"	\$56.00
OP22-0271L/R	58", 67", 70"	8"	\$56.00
OP22-0272L/R	59", 68", 71"	8 1/2"	\$56.00
OP22-0273L/R	69", 72"	9"	\$56.00
OP22-0643L/R	73"	9 1/2"	\$56.00

Part No.	2SP/CP	"L" DIM	List Price
OP22-0274N	32"	3"	\$24.80
OP22-0275N	33", 35"-36"	3 1/2"	\$24.80
OP22-0276N	34", 37"-38" 40"-41"	4"	\$24.80
OP22-0535N	39", 42"-43" 45" 50"	4 1/2"	\$24.80
OP22-0278N	44", 46"-48" 51", 60"	5"	\$24.80
OP22-0279N	49", 52", 61"	5 1/2"	\$24.80
OP22-0280N	53", 62"	6"	\$24.80
OP22-0281N	54"-55", 63"	6 1/2"	\$24.80
OP22-0282N	56", 64"-65"	7"	\$24.80
OP22-0536N	57" 66"	7 1/2"	\$24.80
OP22-0283N	58", 67", 70"	8"	\$24.80
OP22-0284N	59", 68", 71"	8 1/2"	\$24.80
OP22-0285N	69", 72"	9"	\$24.80
OP22-0537N	73"	9 1/2"	\$24.80

Link & Bracket Assemblies

OP22-0487L/R



Bracket, Slow Door Link, 2SP/CP 32-73 D.O. & 2/SP 24-29 D.O.
List Price: \$31.00

OP22-0581L/R



Bracket, 2SP/CP 33-39 D.O. Slow Door Link (Only Used If Adaptor Channel Supplied)
List Price: \$31.00

OP22-0488N



Bracket, 2/SP 49-72 D.O. Slow Door Link, & 3/SP 30-69 D.O. For Intermediate Door
List Price: \$31.00

DOOR EQUIPMENT

Operator Parts

Intermediate Door Link & Brackets

Three Speed: 30"-69" D.O.

Link & Bracket Assemblies



Links



Note: Links with "L" dimension 5 3/8" and above are adjustable. Links below 5 3/8" are fixed links.

Part No.	3/SP	"G" DIM	List Price
OP22-0343N	30", 35"	3 5/8"	\$56.00
OP22-0344N	31"	3 15/16"	\$56.00
OP22-0345N	32", 36"	4 1/4"	\$56.00
OP22-0346N	33"	4 9/16"	\$56.00
OP22-0347N	34", 37"	4 7/8"	\$56.00
OP22-0348N	38"	5 1/2"	\$56.00
OP22-0349N	39"	6 1/8"	\$56.00
OP22-0350N	40"	4 1/8"	\$56.00
OP22-0351N	41"	4 3/4"	\$56.00
OP22-0352N	42"	5 3/8"	\$56.00
OP22-0353N	43"	6"	\$56.00
OP22-0354N	44"	6 1/2"	\$56.00
OP22-0355N	45"	5 3/4"	\$56.00
OP22-0356N	46"	6 3/8"	\$56.00
OP22-0357N	47"	7"	\$56.00
OP22-0358N	48"	7 5/8"	\$56.00
OP22-0359N	49"	8 1/4"	\$56.00
OP22-0360N	50"	6 1/4"	\$56.00
OP22-0361N	51"	6 13/16"	\$56.00
OP22-0362N	52"	7 3/8"	\$56.00
OP22-0363N	53"	7 15/16"	\$56.00
OP22-0364N	54", 60"	8 1/2"	\$56.00
OP22-0365N	55"	7 3/4"	\$56.00
OP22-0366N	56"	8 3/8"	\$56.00
OP22-0367N	57", 65"	9"	\$56.00
OP22-0368N	58", 62"	9 5/8"	\$56.00
OP22-0369N	59"	10 1/4"	\$56.00
OP22-0370N	61"	9 1/16"	\$56.00
OP22-0371N	63"	10 3/16"	\$56.00
OP22-0372N	64"	10 3/4"	\$56.00
OP22-0373N	66"	9 9/16"	\$56.00
OP22-0374N	67"	10 1/8"	\$56.00
OP22-0375N	68"	10 11/16"	\$56.00
OP22-0376N	69"	11 1/4"	\$56.00

Part No.	3/SP	"L" DIM	List Price
OP22-0377N	30", 35"	3 5/8"	\$24.80
OP22-0378N	31"	3 15/16"	\$24.80
OP22-0379N	32", 36"	4 1/4"	\$24.80
OP22-0380N	33"	4 9/16"	\$24.80
OP22-0381N	34", 37"	4 7/8"	\$24.80
OP22-0279N	38"	5 1/2"	\$24.80
OP22-0382N	39"	6 1/8"	\$24.80
OP22-0383N	40"	4 1/8"	\$24.80
OP22-0384N	41"	4 3/4"	\$24.80
OP22-0385N	42"	5 3/8"	\$24.80
OP22-0280N	43"	6"	\$24.80
OP22-0281N	44"	6 1/2"	\$24.80
OP22-0386N	45"	5 3/4"	\$24.80
OP22-0387N	46"	6 3/8"	\$24.80
OP22-0282N	47"	7"	\$24.80
OP22-0388N	48"	7 5/8"	\$24.80
OP22-0389N	49"	8 1/4"	\$24.80
OP22-0390N	50"	6 1/4"	\$24.80
OP22-0391N	51"	6 13/16"	\$24.80
OP22-0392N	52"	7 3/8"	\$24.80
OP22-0393N	53"	7 15/16"	\$24.80
OP22-0284N	54", 60"	8 1/2"	\$24.80
OP22-0394N	55"	7 3/4"	\$24.80
OP22-0395N	56"	8 3/8"	\$24.80
OP22-0285N	57", 65"	9"	\$24.80
OP22-0396N	58", 62"	9 5/8"	\$24.80
OP22-0397N	59"	10 1/4"	\$24.80
OP22-0398N	61"	9 1/16"	\$24.80
OP22-0399N	63"	10 3/16"	\$24.80
OP22-0400N	64"	10 3/4"	\$24.80
OP22-0401N	66"	9 9/16"	\$24.80
OP22-0402N	67"	10 1/8"	\$24.80
OP22-0403N	68"	10 11/16"	\$24.80
OP22-0404N	69"	11 1/4"	\$24.80

DOOR EQUIPMENT

Operator Parts

Reversing Device Assemblies

Drive Arm
Parts

Conventional

OP24-0019L/R



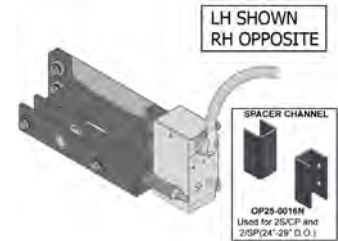
Reversing Device, LRD-1
D.O. - S/S: 24"-48", 2/SP: 30"-72", 3/SP: 30"-69"
List Price: \$278.00

OP24-0027L/R



Reversing Device Assembly, LRD-1, For " MODL-
NYC" Operators
D.O. - S/S: 30"-42", 2/SP: 30"-48"
List Price: \$330.00

OP25-0004L/R



Reversing Device, LRD-2 With Spacers
D.O. - 2/SP: 24"-29", C/P: 24"-83",
2SP/CP: 30"-83"
List Price: \$278.00

Explosion Resistant

OP24-0042N



Reversing Device, S/S-2/SP LRD-1X, Dust/Explo-
sion Resistant
D.O. - S/S: 30"-48", 2/SP: 30"-72", 3/SP: 30"-69"
List Price: \$740.00

OP25-0010L/R



Reversing Device, C/P LRD-2X Dust/Explosion
Resistant
D.O. - 2/SP: 24"-29", 2SP/CP: 30"-83"
List Price: \$740.00

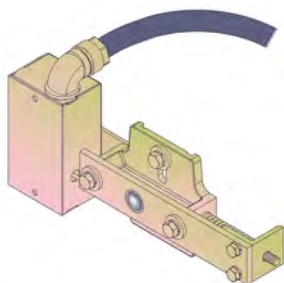
OP25-0028L/R



Reversing Device, 2SP/CP LRD-2X, Dust/Explo-
sion Resistant With Spacers
List Price: \$740.00

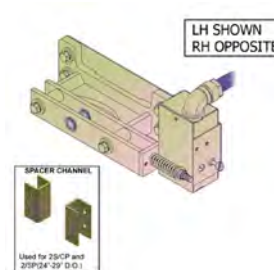
Water Resistant

OP24-0043N



Reversing Device, S/S-2/SP LRD-1W
Water Resistant
D.O. - 2/SP: 30" and UP
List Price: \$555.00

OP25-0025L/R



Reversing Device, C/P LRD-2W Water
Resistant
D.O. - 2/SP: 24"-29", C/P: 24"-83",
2SP/CP: 30"-83"
List Price: \$555.00

DOOR EQUIPMENT

Operator Parts

Reversing Device Parts

Switch - "LRD-1" Assemblies and Parts

OP24-0024L/R



LH SHOWN
RH OPPOSITE

Switch Assembly, LRD-1/LRD-2
List Price: \$124.00

OP24-0029L/R



LH SHOWN
RH OPPOSITE

Switch Assembly, LRD1 Reversing
Device, For "MODLNYC" Operators
D.O. - S/S: 30"-42", 2/SP: 30"-48"
List Price: \$176.00

OP24-0025N



Cover Assembly, LRD-1/LRD-2
Switch
List Price: \$9.40

OP24-0026N



Micro Switch Kit, LRD-1/LRD-2
List Price: \$18.60

Connector

HWEL-0006N



Connector, 3/8 BX Flex 45 Deg, 45
Deg-1/2 Ko Center Stopped With
2-Screw Clamp & Locknut-390
List Price: \$5.40

HWEL-0008N



Connector, 3/8 Liquid Tight 90
Deg-1/2 Ko, 90 Deg-1/2 Ko With In-
sulated Throat & Locknut-4Q 938T
List Price: \$15.40

HWEL-0022N



Connector, 3/8 Liquid Tight 1/2"
Ko, Str-1/2" Ko Seg Ring-Locknut
List Price: \$15.40

HWEL-0025N



Connector, 3/8 Liquid Tight-45 Deg,
45 Deg-1/2Ko With Locknut
List Price: \$15.40

Plate

OP24-0021N



Plate, LRD-1 Switch Mounting
D.O. - S/S: 24"-48", 2/SP: 24"-72",
3/SP: 30"-69"
List Price: \$15.40

OP24-0022N



Plate, LRD-1 Arm Support
D.O. - S/S: 24"-48", 2/SP: 24"-72",
3/SP: 30"-69"
List Price: \$47.00

OP25-0007L/R



LH SHOWN
RH OPPOSITE

Plate, LRD-2 Switch Mounting,
Includes Hardware
D.O. - 2/SP: 24"-29", C/P: 24"-83",
2SP/CP: 30"-83"
List Price: \$37.00

OP25-0008N



Plate, LRD-2 Arm Support As-
sembly
D.O. - 2/SP: 24"-29", C/P: 24"-83",
2SP/CP: 30"-83"
List Price: \$37.00

DOOR EQUIPMENT

Operator Parts

Reversing Device Parts

Drive Arm
Parts

Bracket



Part No.	Description	List Price
OP25-0029N*	Bracket, Door Drive Arm Offset Pivot	\$108.00

Spring & Stud Assembly



Part No.	S/S	2/SP	3/SP	Description	List Price
OP24-0023N	24"-48"	24"-72"	30"-69"	Spring & Stud Assembly, LRD-1	\$47.00

Conduit

HWEL-0005N



Description
Conduit, 3/8" X 3' Lg. Electric, Green Field Flexible Steel
List Price: \$9.40

OP27-0005N



Description
Conduit, "MODLNYC" 3/8 Liquid Tight, Flex Cable 23" Lg.- (2) 3/8 Connectors (1) 90 Deg-1/2" Ko & (1) 45 Deg-1/2" Ko & Electric Wires For LRD-1 Rev. Device
List Price: \$56.00

Drive Arm Support Assembly



Part No.	S/S	2/SP	3/SP	Description	List Price
OP24-0001N	35"-44"	35"-44"	60"-69" 40"-44"	Support Assembly, Drive Arm, With 12" Lg. Plate	\$93.00
OP24-0002N	45"-48"	45"-72"	45"-59"	Support Assembly, Drive Arm, With 14" Lg. Plate	\$93.00
OP24-0013N	35"-44"	49"-72" 35"-44"		Support Assembly, Ha Drive Arm, With 12" Lg. Plate	\$108.00
OP24-0014N	45"-48" 24"-42"	49"-72" 45"-48"		Support Assembly, Ha Drive Arm, With 14" Lg. Plate	\$108.00

DOOR EQUIPMENT

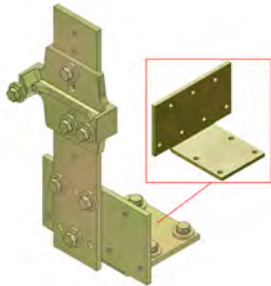
Drive Arm
Parts

Operator Parts

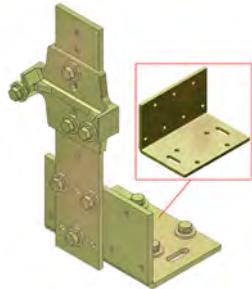
Drive Arm Support Assembly



Part No.	S/S	2/SP	3/SP	Description	List Price
OP24-0031N	24"-34"	30"-34"	30"-39"	Support Assembly, Drive Arm With 12" Lg. Plate (Replacement For 2/SP 24-29 D.O. Jobs Before October 1995)	\$93.00
OP24-0033N	24"-34"	24"-34"		Support Assembly, "HA" Drive Arm, With 12" Lg. Plate	\$108.00



Part No.	S/S	2/SP	3/SP	Description	List Price
OP24-0041N	24"-34"	30"-34"	30"-39"	Support Assembly, Water Resistant Drive Arm. Replacement For 2/SP 24-29 D.O. Jobs Before October 1995 (Yellow Zinc Dichromate)	\$185.00



Part No.	S/S	2/SP	3/SP	Description	List Price
OP24-0035N	35"-44"	35"-44"	60"-69" 40"-44"	Support Assembly, Drive Arm, With 12" Lg. Plate. (Yellow Zinc Dichromate)	\$185.00
OP24-0038N	45"-48"	45"-72"	45"-59"	Support Assembly, Water Resistant Drive Arm, With 14" Lg. Plate. (Yellow Zinc Dichromate)	\$185.00

Drive Arm Support Parts

Angle

OP24-0032N



Angle, Operator Drive Arm Support, S/S 24-34, 2/SP 30-34 & 3/SP 30-39 D.O. Replacement For 2/SP 24-29 D.O. Jobs Before October 1995.
List Price: \$31.00

OP24-0034N



Angle, Water Resistant Drive Arm Support, S/S 27-34, 2/SP 30-34, & 3/SP 30-39 D.O. Replacement For 2/SP 24-29 D.O. Jobs Before October 1995. (Yellow Zinc Dichromate)
List Price: \$62.00

OP24-0009N



Angle, Operator Drive Arm Support, S/S 35-48, 2/SP 35-72 & 3S 40-69 D.O.
List Price: \$31.00

OP24-0036N



Angle, Water Resistant Drive Arm Support, S/S 35-48, 2/SP 35-72 & 3/SP 40-69 D.O. (Yellow Zinc Dichromate)
List Price: \$62.00

DOOR EQUIPMENT

Operator Parts

Drive Arm Support Parts

Drive Arm
Parts

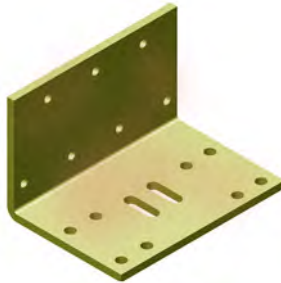
Angle

OP24-0047N



Angle, MOX Operator Drive Arm Support, S/S-2/SP 40-48 & 3/SP 45-69 D.O.
List Price: \$31.00

OP24-0049N



Angle, Water Resistant Drive Arm Support, S/S-2/SP 40-48 & 3/SP 45-69 D.O. (Yellow Zinc Dichromate)
List Price: \$62.00

OP24-0048N



Angle, MOX Operator Drive Arm Support, S/S-2/SP 30-39 & 3/SP 30-44 D.O.
List Price: \$31.00

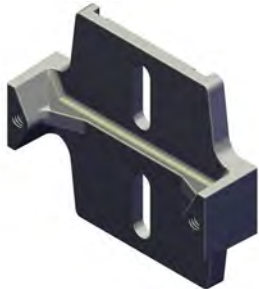
OP24-0050N



Angle, Water Resistant Drive Arm Support, S/S-2/SP 30-39 & 3/SP 30-44 D.O. (Yellow Zinc Dichromate)
List Price: \$62.00

Bracket

OP24-0006N



Bracket, Support, S/S 24-48, 2/SP 24-72, 3/SP 30-69 D.O.
List Price: \$56.00

OP24-0020N



Bracket, LRD-1 Support, S/S 24-48, 2/SP 24-72, 3/SP 30-69 D.O.
List Price: \$71.00

OP24-0037N



Bracket, Support S/S-2/SP-3/SP All Door Opening Size, C/P-2SP/CP 84-144 D.O. (Yellow Zinc Dichromate)
List Price: \$111.00

OP25-0001N



Bracket, C/P 22-83 D.O. Arm Support
List Price: \$56.00

OP25-0002N



Bracket, 2SP/CP 22-83 D.O. Arm Support, & 2/SP 24-29 D.O.
List Price: \$62.00

OP25-0011N



Bracket, C/P Water Resistant Arm Support (Yellow Zinc Dichromate)
List Price: \$111.00

OP25-0012N



Bracket, 2SP/CP Water Resistant Arm Support
List Price: \$124.00

DOOR EQUIPMENT

Operator Parts

Drive Arm Support Parts

Plate

OP24-0007N



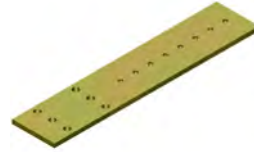
Plate, 12" Lg. Arm Support
D.O. - S/S-2/SP 24"-44"
List Price: \$31.00

OP24-0008N



Plate, 14 5/8" Lg. Arm Support
D.O. - S/S 45"-48", 2/SP 45"-72"
List Price: \$31.00

OP24-0039N



Plate, 12" Lg. Water Resistant Support (Yellow Zinc Dichromate)
D.O. - S/S-2SP 35"-44", 3/SP 60"-69" & 40"-44"
List Price: \$62.00

OP24-0040N



Plate, 14" Lg. Water Resistant Support (Yellow Zinc Dichromate)
D.O. - CP-2SP/CP 84"-144"
List Price: \$62.00

Drive Arm Hardware

HWBR-0009N



Bearing Kit, 7/8 With Retainer
(Note: Used On Crank Arm Pivot Point) (Old# 8179)
List Price: \$6.20

HWBR-0008N



Bearing Kit, 7/8 Shoulder (Note: Used On Clutch Link, Door Drive Arm Links, & Safety Retracting Links) (Old# 269-1)
List Price: \$6.20

HWBR-0019N

Water Resistant



Bearing Kit, 7/8 Shoulder, Yellow Zinc Dichromate (Note: Used on All Pivot Points Except Crank Arm) (Old# 269-1)
List Price: \$6.80

OP22-0062N



Bolt/Bearing Kit, Drive Arm, With HWBR-0008N Bearing
List Price: \$7.80

OP22-0547N



Bolt/Bearing Kit, Drive Arm (Yellow Zinc Dichromate) With HWBR-0008N Bearing
List Price: \$9.40

OP22-0518N



Bolt/Link, Drive Arm
List Price: \$7.80

OP22-0489N



Hardware, 2/SP 49-72 D.O. Slow Door Link With HWBR-0008N Bearing
List Price: \$3.20

OP25-0003N



Hardware, 2/SP 24"-29" D.O., C/P 22"-83" D.O., 2SP/CP 22"-83" D.O., Pivot, With HWBR-0008N Bearing
List Price: \$4.80

DOOR EQUIPMENT

Operator Parts

Drive Arm Hardware

Drive Arm
Parts

OP25-0009N



Spring & Stud Assembly, LRD-2. 2/ SP 24''-29'' D.O., C/P 24''-83'' D.O., 2SP/CP 30''-83'' D.O.
List Price: \$47.00

OP22-0057N



Uses HWBR-0008N Bearing

Plate Assembly, S/S 22''-48'', 2/SP 30''-72'', & 3/SP. 4'' C.L. Arm Support, Includes Hardware
List Price: \$12.40

OP22-0546N



Uses HWBR-0008N Bearing

Plate Assembly, S/S-2/SP-3/SP. 4'' C.L. Arm Support Includes Hardware (Yellow Zinc Dichromate)
List Price: \$24.80

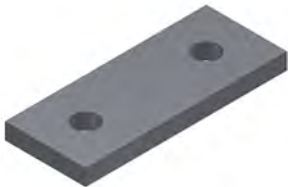
OP34-0079N



Uses HWBR-0008N Bearing

Plate Assembly, 2/SP 24''-29'' D.O., C/P 22''-83'' D.O., 2SP/CP 22''-83'' D.O. 5'' C.L. Arm Support
List Price: \$12.40

OP22-0490N



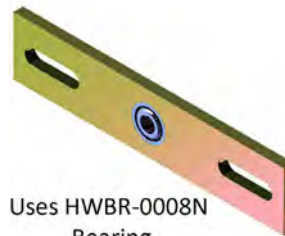
Spacer, 2/SP 24-29 D.O. & 2SP/CP 32-73 D.O. Slow Door Bracket
List Price: \$3.20

OP22-0491N



Spacer, Slow Door Bracket, 2/SP 49-72 D.O. & 3/SP 30-69 D.O. For Intermediate Door
List Price: \$3.20

OP34-0084N



Uses HWBR-0008N Bearing

Plate Assembly, C/P-2SP/CP 5'' Arm Support (Yellow Zinc Dichromate)
List Price: \$24.80

HWSC-0050N



Screw, 3/8-16 x 1 1/8'' Hex Lower Head
List Price: \$1.80

HWSC-0237N



Screw, 3/8-16 x 1 3/4'' Hex HD Steel Cap
List Price: \$1.00

CL5-0050N



Pin, Spring Arm Closer, With (2) HWRC-0004N Clips
List Price: \$4.80

HWWS-0062N



Washer, 5/16'' Id-5/8 OD Flat BRS 0.063 Thick, 5/8'' OD X 0.063 Thick
List Price: \$0.60

HWWS-0092N



Washer, 21/32'' ID x 1-1/4'' OD Flat Steel (Note: To Replace This Washer, A Complete Kit Part No. HWBR-0008N Must Be Supplied)
List Price: \$0.40

DOOR EQUIPMENT

Operator Parts

Motor & Motor Parts

Motor Specifications

(PM) Permanent Magnet Operator Motor

This motor has only two wires

Important Note: When replacing an existing four wire shunt wound motor, leave all existing wiring in place & connect the two armature wires as follows. This will make the operator compatible with both motor types (shunt wound & PM).

A- MOD, MOCT, MOSVCL (left hand & C/P)
MOM, MOH (right hand)

Red wire - **A1**
Black wire - **A2**

B- MOD, MOCT, MOSVCL (right hand)
MOM, MOH (left hand & C/P)

Red wire - **A2**
Black wire - **A1**

- Although the PM motor does not require the field resistor & connection to terminal **F2**, it is imperative that terminal **F1** be connected, otherwise the operator will not function properly. The only exceptions to this are the MODP & MODG operators. On these two operators, field connections **F1** & **F2** may be omitted.
- The performance of the PM motor is the same as the shunt wound motor. If there is an unsatisfactory door operation with the PM motor, most likely the motor has not been properly installed and/or adjusted. If problem persists contract G.A.L. tech support.
- G.A.L. from time to time has used motors made by various suppliers, **Baldor, Reliance, Marathon, GE, "GAL" Westinghouse, Ohio, Peerless**, the electrical characteristics and mounting pattern may be the same or adaptable. Dimensionally they may be different.

GAL OPERATOR MOTORS

DISCONTINUED



GE
1/6 HP D.C.



REPLACED WITH



BALDOR
1/6 HP D.C.



BALDOR/MARATHON
1/2 HP A.C.
(MOVFR)

DISCONTINUED



GE
1/2 HP D.C.
1/4 HP D.C.



REPLACED WITH



BALDOR
1/2 HP D.C.



MARATHON
1/2 HP A.C.
(MOVFRW)
WATER RESISTANT

DOOR EQUIPMENT

Operator Parts

Motor & Motor Parts

Motor &
Motor Parts

Motor Specifications

Refer to the chart below to find the right motor for your operator & retiring cam. When ordering, specify motor characteristics for identification.

MTR-0004N ("MOM" Shunt Wound)	
Horse Power:	1/4
RPM:	1140
Voltage:	115 D.C. Shunt
Armature AMPS:	2.2
Armature Resistance:	6
AMB. Temp:	40° C
Frame Size:	56
List Price:	\$539.00

MTR-0014N (MOXL & MOWL) (MTR-0008N mounting base cut to fit in Alum. Tank)	
Horse Power:	1/6
RPM:	1140
Voltage:	230 D.C. PM
Armature AMPS:	1.2
Armature Resistance:	50
AMB. Temp:	40° C
Frame Size:	56
List Price:	\$509.00

MTR-0008N (MOD) & Retiring Cam	
Horse Power:	1/6
RPM:	1140
Voltage:	230 D.C. PM
Armature AMPS:	1.2
Armature Resistance:	50
AMB. Temp:	40° C
Frame Size:	56
List Price:	\$478.00

MTR-0015N (MOWL) with bushing. used for water resistant operator and retiring cam box	
Horse Power:	1/6
RPM:	1140
Voltage:	230 D.C. PM
Armature AMPS:	1.2
Armature Resistance:	50
AMB. Temp:	40° C
Frame Size:	56
List Price:	\$509.00

MTR-0010N (MOH & MOM)	
Horse Power:	1/2
RPM:	1140
Voltage:	230 D.C. PM
Armature AMPS:	2.4
Armature Resistance:	20
AMB. Temp:	40° C
Frame Size:	56
List Price:	\$693.00

MTR-0021N (MOVFR & MOVFR II)	
Horse Power:	1/2
RPM:	1140
Voltage:	115 A.C. or 230 A.C.
Armature AMPS:	2
AMB. Temp:	40° C
Phase:	3
Frame Size:	56
List Price:	\$416.00

MTR-0011N (MOD)	
Horse Power:	1/6
RPM:	1140
Voltage:	115 D.C. PM
Armature AMPS:	1.6
Armature Resistance:	12.5
AMB. Temp:	40° C
Frame Size:	56
List Price:	\$478.00

MTR-0023N (MOVFRW)	
Horse Power:	1/2
RPM:	1725/1425
Voltage:	208-230/460 AC
Armature AMPS:	3
AMB. Temp:	65° C
Frame Size:	56
Phase:	3
List Price:	\$817.00

MTR-0013N (MOH & MOM)	
HORSE POWER:	1/2
RPM:	1140
Voltage:	115 D.C. PM
Armature AMPS:	4.4
Armature Resistance:	6
AMB. Temp:	40° C
Frame Size:	56
List Price:	\$693.00

Replacement For Discontinued Motors	
MTR-0009N (230 V.D.C ¼ HP) – Use MTR-0010N	
MTR-0012N (115 V.D.C ¼ HP) – Use MTR-0013N	
MTR-0024N (115/230 V.A.C ½ HP) – Use MTR-0021N	

DOOR EQUIPMENT

Operator Parts

Motor & Motor Parts

Brushes (Shunt Wound Motor)

MTR-0018N



Description
Brush, PM/Shunt Wound Motor, Set Of (2) 1/4" x 5/16" x 1" No. 625-A-698 AA002
List Price: \$44.00

MTR-0020N



Description
Brush, 1/4 HP Shunt Wound, 1/4" x 3/8" x 5/8" No. 625-A-61-FA-003 (2 Pcs)
List Price: \$105.00

Motor Base Assembly

OP23-0008N



Base Assembly, Operator Motor (Used On All Operators)
List Price: \$74.00

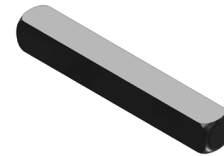
OP23-0003N



Stud Kit, Motor Base Mounting
List Price: \$18.60

Motor Shaft Key

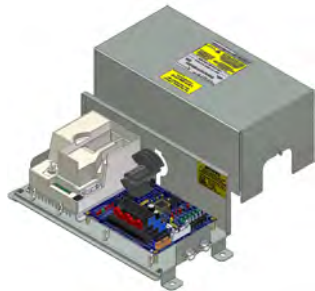
MTR-0034N



Key, 3/16" Square Motor Shaft, 1 3/8" Long (Used For Looking Motor Pulley To Operator Motor Shaft (These Are Attached To All Motors Supplied By G.A.L.)
List Price: \$8.00

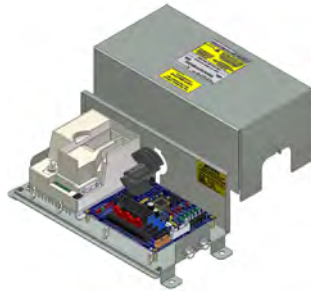
Limit Control Assemblies

MOVFR-0109N



Limit Control Box, MOVFR II Operator, 115 V.A.C.,
List Price: \$1,590.00

MOVFR-0071N



Limit Control Box, MOVFR II Operator, 220 V.A.C.,
List Price: \$1,510.00

OP12-0001L/R



Limit Control, MOM/MOH. Includes Cam Chain
List Price: \$555.00

OP43-0028L/R



Limit Control, 110 V.D.C, 115 V MOMSVL/MOHSVL. Includes Cam Chain
List Price: \$555.00

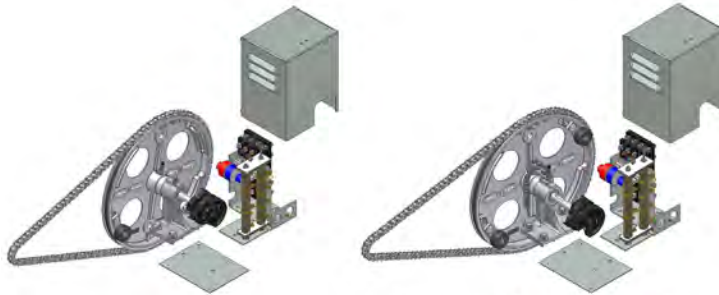
DOOR EQUIPMENT

Operator Parts

Limit Control Assemblies

Limit Control
Assemblies

MOD Series, "L" & Shoe Type



Arranged for Retiring Cam

Note:

- **Before 5-1-2006:** all MOD series operators were supplied with #35 chains.
- **After 4-30-2006:** the MOD operator driving pulley was revised, and a #40 chain replaced the old #35 chain, causing the sprocket on the intermediate pulley to change from a 15 to 12 teeth sprocket. In addition, the stop rollers on the pulley also changes.

Before 5-1-2006	After 4-30-2006	Description	List Price
OP10-0001L/R	OP10-0077L/R	Limit Control, 220V MOD, With Drive Pulley Assembly	\$653.00
OP10-0002L/R	OP10-0078L/R	Limit Control, 115V MOD, With Drive Pulley Assembly	\$653.00
OP10-0061L/R	OP10-0081L/R	Limit Control, 220V MOD, With Drive Pulley Assembly and Retiring Cam Pick-Up	\$700.00
OP10-0062L/R	OP10-0082L/R	Limit Control, 115V MOD, With Drive Pulley Assembly and Retiring Cam	\$700.00

MOCT Series & MODCT "L" & Shoe Type



L.H. SHOWN
R.H. OPPOSITE

MODCTA 3 Wire A.C. Power Supply			
Part No.	Motor Voltage	Relay Voltage	List Price
OP16-0015L/R	220 DC	240 AC	\$1,410.00

Part No.	Motor Voltage	Relay Voltage	List Price
OP16-0003L/R	220 DC	12 DC	\$1,410.00
OP16-0005L/R	220 DC	24 DC	\$1,410.00
OP16-0007L/R	220 DC	48 DC	\$1,410.00
OP16-0009L/R	220 DC	110 DC	\$1,410.00
OP16-0011L/R	220 DC	120 AC	\$1,410.00
OP16-0013L/R	220 DC	240 AC	\$1,410.00

Part No.	Motor Voltage	Relay Voltage	List Price
OP16-0004L/R	115 DC	12 DC	\$1,410.00
OP16-0006L/R	115 DC	24 DC	\$1,410.00
OP16-0008L/R	115 DC	48 DC	\$1,410.00
OP16-0010L/R	115 DC	110 DC	\$1,410.00
OP16-0012L/R	115 DC	120 AC	\$1,410.00
OP16-0014L/R	115 DC	240 AC	\$1,410.00

MOMCT & MOHCT Series "L" & Shoe Type



L.H. SHOWN
R.H. OPPOSITE

Part No.	Motor Voltage	Relay Voltage	List Price
OP17-0001L/R	220 DC	12 DC	\$1,779.00
OP17-0003L/R	220 DC	24 DC	\$1,779.00
OP17-0005L/R	220 DC	48 DC	\$1,779.00
OP17-0007L/R	220 DC	110 DC	\$1,779.00
OP17-0009L/R	220 DC	120 AC	\$1,779.00
OP17-0011L/R	220 DC	240 AC	\$1,779.00

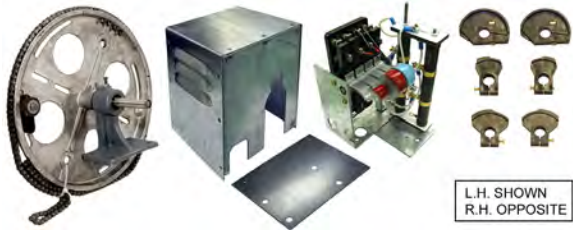
Part No.	Motor Voltage	Relay Voltage	List Price
OP17-0002L/R	115 DC	12 DC	\$1,779.00
OP17-0004L/R	115 DC	24 DC	\$1,779.00
OP17-0006L/R	115 DC	48 DC	\$1,779.00
OP17-0008L/R	115 DC	110 DC	\$1,779.00
OP17-0010L/R	115 DC	120 AC	\$1,779.00
OP17-0012L/R	115 DC	240 AC	\$1,779.00

DOOR EQUIPMENT

Operator Parts

Limit Control Assemblies

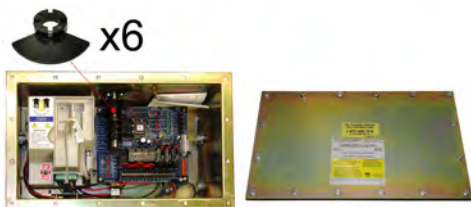
MODLNYC (NYCHA)



L.H. SHOWN
R.H. OPPOSITE

Part No.	Motor Voltage	List Price
OP27-0001L/R	220 DC	\$746.00
OP27-0002L/R	115 DC	\$746.00

MOVFRW II Limit Control Box (Water Resistant)



x6

Part No.	Description	List Price
MOVFR-0097N	Limit Control Box, MOVFRW II 220 V Operator, Water Resistant	\$3,019.00

MOXL (Explosion Resistant)

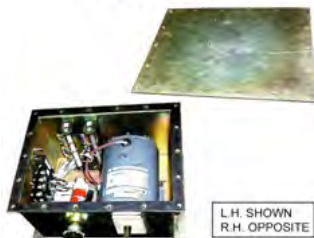


LH SHOWN
RH OPPOSITE

Part No.	Description	List Price
OP71-0001L/R	Limit Control Box, 115 V.D.C. MOX Operator	\$2,772.00
OP71-0002L/R	Limit Control Box, 220 V.D.C. MOX Operator	\$2,772.00

MOW Limit Control Box (Water Resistant)

MOW BOX



L.H. SHOWN
R.H. OPPOSITE

Discontinued

MOW TANK



L.H. SHOWN
R.H. OPPOSITE

Discontinued

“MOW” limit control assemblies have been discontinued. Interior parts are sellable and can be replaced. Complete assembly must be replaced by our “MOVFRW” operator. Contact G.A.L. sales for details.

DOOR EQUIPMENT

Operator Parts

Limit Control Parts

Limit Control
Parts

MOW/MOX Motor Coupling Kits

OP71-0010N



Coupling Kit, MOX Operator Motor
Where Used: MOXL
List Price: \$62.00

OP70-0009N



Coupling Kit, MOW & MOX Operator Motor, For Old Style Enclosures
Where Used: MOWL
List Price: \$77.00

OP70-0008N



Coupling, Old MOW Operator Motor
Where Used: MOWL
List Price: \$53.00

Limit Control Box Accessories

HDW-0340N



Description
Gasket, MOVFRW Cover Rubber
Where Used: MOVFRW, MOVFRW II
List Price: \$12.40

OP70-0022N



Description
Plate, MOW/ RCWP Motor Shaft Seal Assembly, (For Steel Box, 2 1/2 x 2 1/2 x 1/4" With Hardware)
Where Used: MOWL & Water Resistant Box for Retiring Cam
List Price: \$47.00

Limit Control Covers

MOVFR-0104N



Cover, MOVFR & MOVFR II Operator Limit Control Box Assembly, Galvanized Finished, Used Prior to 7/2012, (1) Louver On (1) Side - Small Cover
List Price: \$124.00

MOVFR-0105N



Cover, MOVFR II Operator Limit Control Box Assembly, Galvanized Finished, Used After 7/2012, (1) Louver On Each Side - Large Cover
List Price: \$124.00

OP10-0003L/R



Cover, MOD Operator Limit Control
Where Used: MOD, MODL, MODLNYC, MODP, MODPL, MODPLNYC
List Price: \$53.00

DOOR EQUIPMENT

Operator Parts

Limit Control Parts

Limit Control Covers

OP12-0002N



Cover, MOM/MOH Operator Limit Control
Where Used: MOH, MOHL, MOHSV, MOM,
MOML, MOMSVL
List Price: \$47.00

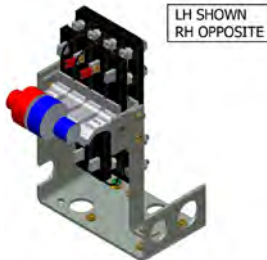
OP16-0002L/R



Cover, MOCT Limit Control Assembly, 7 3/4" x
17 1/2" x 7 1/2"
Where Used: MODCT, MODCTL, MOHCT, MO-
HCTL, MOMCT, MOMCTL
List Price: \$124.00

Limit Switch Assemblies

OP10-0004L/R



Switch Assembly, MOD Limit
List Price: \$296.00

OP16-0017L/R



Switch Assembly, MODCT Limit
List Price: \$342.00

OP17-0013L/R



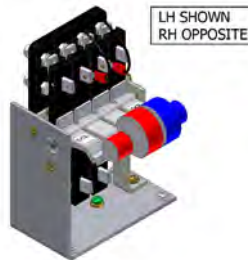
Switch Assembly, MOMCT/MOHCT
List Price: \$509.00

OP27-0009L/R



Switch Assembly, MODPLNYC Limit, For New
York City Housing Jobs
List Price: \$296.00

OP71-0003L/R



Switch Assembly, MOX/MOW Limit
List Price: \$296.00

DOOR EQUIPMENT

Operator Parts

Limit Control Parts

Limit Control
Parts

Bridging Cam Assemblies

OP10-0008N



Cam, MOD Small Bridging
List Price: \$31.00

OP10-0009N



Cam, MOD Large Bridging
List Price: \$45.00

OP10-0007N



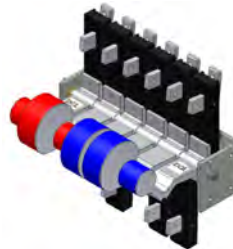
Cams Assembly, MOD Limit Bridging
List Price: \$151.00

OP12-0004N



Cams Assembly, MOM/MOH Limit Bridging
List Price: \$231.00

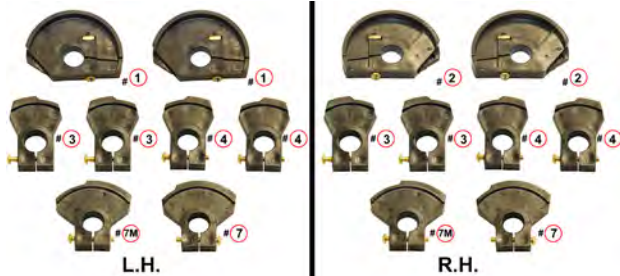
OP17-0014N



Cams Assembly, MOMCT/MOHCT Bridging
List Price: \$410.00

Cam Sets

OP12-0006L/R



Cams, MOM/MOH Limit Control Set
List Price: \$130.00

OP10-0015L/R



Cams, MOD Limit Control Set
List Price: \$99.00

DOOR EQUIPMENT

Operator Parts

Limit Control Parts

Cam Sets

OP17-0020N



Cams, MOM/MOHCT Limit Control
List Price: \$107.00

OP27-0003L/R



Cams, MODLNYC Limit Control, For New York City Housing Jobs
List Price: \$118.00

MOVFR-0005N



Cams, MOVFR & MOVFR II Limit Control Set Of Seven
List Price: \$62.00

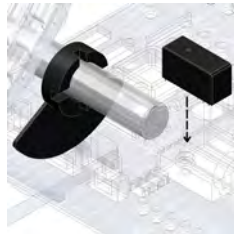
Cams

MOVFR-0064N



Cam, Cut Down, for MOVFR Mi-croswitch
Where Used: MOVFR
List Price: \$18.60

MOVFR-0074N



Relay/Cam Kit, MOVFR II AUX Output Signal
Where Used: MOVFR II, MOVFR-RND II, MOVFRW II
List Price: \$24.80

PMDG-0150N



Cam, MOVFR II Operator Limit, Control Actuating
Where Used: MOE, MOVFR, MOVFR II, MOVFRW, MOVFRW II
List Price: \$18.60

OP10-0016N



Cam, No.1 Operator Limit Control
List Price: \$18.60












DOOR EQUIPMENT

Operator Parts

Limit Control Parts

Limit Control
Parts

Cams

<p>OP10-0017N</p>	<p>OP16-0062N</p>	<p>OP16-0063N</p>	<p>OP10-0018N</p>
 <p># 2</p>	 <p># 1S</p>	 <p># 2S</p>	 <p># 3</p>
<p>Cam, No.2 Operator Limit Control List Price: \$18.60</p>	<p>Cam, No.1S Operator Limit Control, Easy Replacement L.H Split Cam (This Cam Is Designed To Replace An Existing Cam without Removing Any of The Other Existing Cams) List Price: \$37.00</p>	<p>Cam, No.2S Operator Limit Control, Easy Replacement R.H Split Cam (his Cam Is Designed To Replace An Existing Cam without Removing Any of The Other Existing Cams) List Price: \$37.00</p>	<p>Cam, No.3 Operator Limit Control List Price: \$15.40</p>
<p>OP10-0019N</p>	<p>OP10-0020N</p>	<p>OP10-0021N</p>	<p>OP12-0007N</p>
 <p># 4</p>	 <p># 5</p>	 <p># 6</p>	 <p># 7</p>
<p>Cam, No.4 Operator Limit Control List Price: \$15.40</p>	<p>Cam, No.5 Operator Limit Control List Price: \$15.40</p>	<p>Cam, No.6 Operator Limit Control List Price: \$15.40</p>	<p>Cam, No.7 Operator Limit Control List Price: \$15.40</p>
<p>OP12-0008N</p>	<p>OP16-0056N</p>	<p>OP16-0057N</p>	<p>OP12-0016N</p>
 <p># 7M</p>	 <p># 7S</p>	 <p># 7SC</p>	 <p># 7S SNAP ON</p>
<p>Cam, No.7M Operator Limit Control List Price: \$15.40</p>	<p>Cam, No.7S Operator Limit Control, modified Cam For Microswitch Kit Standard 5/8" Diameter List Price: \$18.60</p>	<p>Cam, No.7SC Operator Limit Control, modified Cam For MODCT Mi- croswitch Kit Used With Coupling Shaft-11/16" Diameter List Price: \$23.20</p>	<p>Cam, No.7S Operator Limit Control, Easy Replacement, Snap In Cam For Microswitch Kit (This Cam Is Designed To Snap On Exiting Shaft When Supplied with Miroc-Switch Kit) List Price: \$37.00</p>

DOOR EQUIPMENT

Operator Parts

Limit Control Parts

Bridging Contacts And Contact Screw

OP10-0010N



Contact, Operator Upper Bridging, With Spring & Pin
List Price: \$12.40

OP10-0011N



Contact, Operator Lower Bridging With Pin
List Price: \$11.60

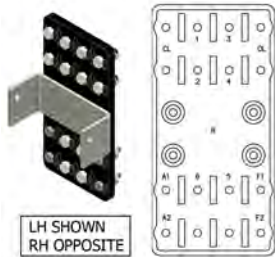
OP10-0006N



Contact Screw, Operator Limit Silver Plated 3/8" Dia. x 3/4" Lg.
Where Used: All Analog Operators
List Price: \$6.20

Contact Bases

OP10-0005L/R



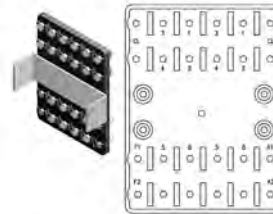
Base, MOD Limit Contact
Where Used: MOD, MODCT, MODCTL, MODL, MODLNYC, MODP, MODPL, MODPLNYC, MOWL, MOXL
List Price: \$133.00

OP12-0003L/R



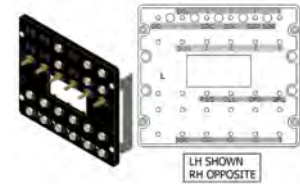
Base, MOM/MOH Limit Control
Where Used: MOH, MOHL, MOM, MOML
List Price: \$179.00

OP17-0015N



Base, MOMCT/MOHCT Limit Control
Where Used: MOHCT, MOHCTL, MOMCT, MOMCTL
List Price: \$179.00

OP43-0030L/R



Base, MOMSV/MOHSV Contact
Where Used: MOHSV, MOMSVL
List Price: \$179.00

Boards & Drives

MOVFR-I Operator Frequency Drive Replacement Kit

The MOVFR I door operator drive is no longer available from G.A.L.'s supplier and will not be sold by G.A.L. anymore.

Note: For "MOVFRW" water resistant operators contact G.A.L. sales or engineering department for information.

DISCONTINUED

Discontinued Part No:

- MOVFR-0004N
- MOVFR-0018N
- MOVFR-0066N
- MOVFR-0067N



REPLACED WITH



X 4
HWSC-0014N

(Does not include input boards)

Kit No.

MOVFR-0102N
230 V.A.C.
List Price: \$ 1,315.00

MOVFR-0108N
115 V.A.C.
List Price: \$ 1,395.00

SOLD SEPARATELY

X 3
MOVFR-0002N
PC INPUT BOARD

X 1
DRV-0009N
PARAMETER UNIT

DOOR EQUIPMENT

Operator Parts

Boards & Drives

Limit Control
Parts

MOVFR, MOVFR II, MOVFRW II Main P.C. Boards

MOVFR-0001N



Board, MOVFR Main PC, Without Input PC Boards
List Price: \$493.00

MOVFR-0011N



Board, MOVFRW Main PC, Without Input PC Boards
List Price: \$539.00

MOVFR-0012N



Board, MOVFR Main PC, With (3) Input PC Boards
List Price: \$678.00

MOVFR-0013N



Board, MOVFRW Main PC, With (3) Input PC Boards
List Price: \$724.00

MOVFR-0069N



Board, MOVFR II & MOVFRW II Main PC, Without Input PC Boards (With 4 Input Sockets)
List Price: \$493.00

MOVFR-0070N



Board, MOVFR II & MOVFRW II Main PC, With (3) Input PC Boards (With 4 Input Sockets)
List Price: \$678.00

MOVFR-0002N



Board, MOVFR & MOVFR II Input PC
List Price: \$62.00

MOVFR-0500AN



Board, MOVFR II Canbus Serial Link Interface (For G.A.L. GALaxy Serial Linked Controllers Only)
List Price: \$235.00

MOR Board



Part No.	Where Used	Description	List Price
MOR-0062N	MOR	Board, Residential Door Operator Assembly	\$495.00

See Page 70 for "MOCT" Conversion Kit And Board.

DOOR EQUIPMENT

Operator Parts

Boards & Drives

MODCT Boards Without Relays and Fuses

L.H. SHOWN
R.H. OPPOSITE



Note: Relay and fuse sold separately. See relay and fuse table for Part No. on next page.

Part No.	Description	List Price
MOCT-0004L/R	Board, MOCT Enhanced, Does Not Include Relays And Fuses	\$413.00
MOCT-0005L/R	Board, MOCTA Enhanced, Does Not Include Relays And Fuses	\$413.00

MOSVCL, MOMSVL Limit Control Board



Part No.	Where Used	Description	List Price
OP43-0008N	MOSVCL, MOHSV, MOMSVL	Board, Solid State Limit Control MOSVCL Operator P.C., Includes Wiring Diagrams L-7912 (Virginia Control)	\$655.00

MOVFR II Drives



Part No.	Description	List Price
MOVFR-0072N	Drive, 230 V.A.C. MOVFR II Operator Frequency, Includes Drive Ribbon Cable (MOVFR-0073N)	\$740.00
MOVFR-0099N	Drive, 115 V.A.C. MOVFR II Operator Frequency, Includes Drive Ribbon Cable (MOVFR-0073N)	\$786.00

Rectifier Kits



Part No.	Where Used	Description	List Price
OP11-0025N	MOPMP, MOPMPL	Rectifier Kit, MOPM Panel, DIOD-0015N/MOV-0003N	\$39.00

Fuses



Part No.	Description	List Price
FUSE-0006N	Fuse, 6 AMP (MOCT 115V Motor), Time Delay 250V	\$5.40
FUSE-0007N	Fuse, 3 AMP (MOCT 220V Motor), Time Delay 250V	\$5.40
FUSE-0027N	Fuse, 4 AMP (MOCT 250V Motor & MOVFR II) 250V	\$5.40

DOOR EQUIPMENT

Operator Parts

Limit Control
Parts

Relays



Part No.	Description	List Price
RELY-0003N	Relay, 12 V.D.C. 3PDT Plug-In Light & Button, With Light & Button-157-23B2LC (Used In All MOCT Series Operators)	\$39.00
RELY-0005N	Relay, 24 V.D.C. 3PDT With Light Button, 157-23C2LC Plug-In 3 Pole (Used In All MOCT Series Operators)	\$43.50
RELY-0006N	Relay, 48 V.D.C. 3PDT With Light Button, 157-23D2CO Plug-In 3 Pole (Used In All MOCT Series Operators)	\$39.00



Part No.	Description	List Price
RELY-0007N	Relay, 110 V.D.C. 3 Pole With Light & Button, KUP-14D45F Plug-In 3 Pole (Used In All MOCT Series Operators)	\$39.00
RELY-0008N	Relay, 240 V.A.C. 3 Pole With Light & Button, 157-23U2LC Plug-In 3 Pole (Used In All MOCT Series Operators Including MOPMP)	\$39.00
RELY-0009N	Relay, 120 V.A.C. 3 Pole With Light & Button, 157-23T2LC Plug-In 3 Pole (Used In All MOCT Series Operators)	\$39.00



Part No.	Description	List Price
RELY-0049N	Relay, SPDT 12A/440 V.A.C./24 V.D.C./1440 OHM Coil, 24 V.D.C. 1440 OHM Coil (Used In MOVFR & MOVFR II)	\$6.20

Switches

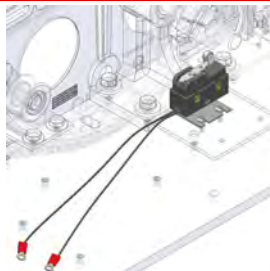
Micro Switch Kits

MOVFR-0063N



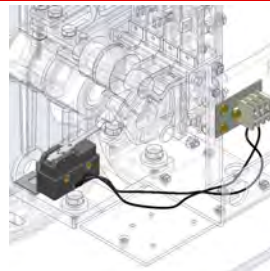
Kit, MOVFR Microswitch
Where Used: MOVFR, MOVFRW
List Price: \$114.00

OP10-0050L/R



Kit, MOD Operator Additional Microswitch
Where Used: MODL, MODLNYC
List Price: \$93.00

OP10-0058L/R



Kit, Fault Monitor (FM)-MODL Operator Microswitch
Where Used: MODL
List Price: \$93.00

OP12-0012N



Kit, MOM & MOH Microswitch
Where Used: MOH, MOHL, MOM, MOML
List Price: \$93.00

DOOR EQUIPMENT

Operator Parts

Switches

Micro Switch Kits

OP12-0013N



Kit, MOM & MOH Double Micro-switch
Where Used: MOH, MOHL, MOM, MOML
List Price: \$185.00

OP12-0014N



Kit, MOM & MOH Microswitch, For Existing Installation
Where Used: MOH, MOHL, MOM, MOML
List Price: \$93.00

OP12-0015N



Kit, MOM & MOH Double Micro-switch, For Existing Installation
Where Used: MOH, MOHL, MOM, MOML
List Price: \$185.00

OP16-0058N



Kit, MODCT Double Microswitch, With Extension Coupling
Where Used: MODCT, MODCTL, MOHCT, MOHCTL, MOMCT, MOMCTL
List Price: \$185.00

OP16-0059N



Kit, MODCT Microswitch
Where Used: MODCT, MODCTL, MOHCT, MOHCTL, MOMCT, MOMCTL
List Price: \$77.00

OP16-0060N



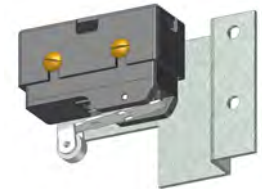
Kit, MOCT Microswitch
Where Used: MODCT, MODCTL, MOHCT, MOHCTL, MOMCT, MOMCTL
List Price: \$93.00

OP16-0061N



Kit, MOCT Double Microswitch
Where Used: MODCT, MODCTL, MOHCT, MOHCTL, MOMCT, MOMCTL
List Price: \$185.00

OP71-0021L/R



Kit, MOX Operator Microswitch
Where Used: MOXL
List Price: \$93.00

Micro Switches

MICS-0004N



Microswitch, BZ-2RW822-A2
Where Used: MODCTL, MOHCTL, MOMCTL
List Price: \$39.00

SEL-0089N



Microswitch, Short Lever
List Price: \$18.60

SEL-0090N



Microswitch, Long Lever
List Price: \$18.60

DOOR EQUIPMENT

Operator Parts

Switches

Limit Control
Parts

Micro Switches

SE4-0028N



Microswitch, Type "HA" Safety Edge Reference # MICS-0003N
List Price: \$31.00

SE12-0016N



Microswitch, Type "HT" Safety Edge
List Price: \$31.00

SE15-0006N



Microswitch, Type "RALW" Safety Edge
List Price: \$37.00

Toggle Switches

MOVFR-0095N



Switch, MOVFRW Power With Rubber Cap
Where Used: MOVFRW
List Price: \$27.00

OP13-0021N



Switch, Power Toggle
Where Used: MOH, MOHL, MOHSV, MOM, MOML, MOMSV, MOSVCL
List Price: \$15.40

OP16-0030N



Switch, MOCT Power
Where Used: MODCT, MODCTL, MOHCT, MOHCTL, MOMCT, MOMCTL
List Price: \$27.80

Parameter Units

MOVFR Series

DRV-0002N



Parameter Unit, MOVFR Operator Mounted, FR-PA02
List Price: \$124.00

DRV-0003N



Parameter Unit, MOVFR Hand Held, With 7 Ft. Cable, FR-PU04-7
Where Used: MOVFR, MOVFRW
List Price: \$185.00

DRV-0006N



Parameter Unit, MOVFR Hand Held, With 25 Ft. Cable, FR-PU04-25
Where Used: MOVFR, MOVFRW
List Price: \$191.00

DRV-0009N



Note: When used for operator mounted a 1 foot cable (DRV-0013N) is supplied.
Parameter Unit, MOVFR II Hand Held, With 7 Ft. Cable
Where Used: MOVFR II, MOVFRW II
List Price: \$185.00

DOOR EQUIPMENT

Operator Parts

Parameter Units

Cables



Part No.	Where Used	Description	List Price
DRV-0007N	MOVFR, MOVFRW	Cable, MOVFR, MOVFRW Parameter Unit 25 Ft.	\$37.00
DRV-0008N	MOVFR, MOVFRW	Cable, MOVFR, MOVFRW Parameter Unit 7 Ft.	\$18.60
DRV-0012N	MOVFR II, MOVFR-RND II, MOVFRW II	Cable, MOVFR II Parameter 7 Ft.	\$61.00
DRV-0013N	MOVFR II, MOVFR-RND II, MOVFRW II	Cable, MOVFR II Parameter 1 Ft. Used for Operator MTD Parameter Unit	\$29.40
DRV-0014N	MOVFR II, MOVFR-RND II, MOVFRW II	Cable, MOVFR II Parameter 25 Ft.	\$41.00
DRV-0076N	MOVFRW II	Cable, MOVFR II Waterproof 1 Ft.	\$29.40

Terminal Connectors

CONN-0063N

9 POSITIONS



Connector, Plug 9-POS 0.2" Center, Mates With CONN-0064N
Where Used: MOVFR, MOVFRW
List Price: \$14.00

CONN-0144N

8 POSITIONS



Connector, Plug 8-POS 5.08 MM Centered Front Insert
Where Used: MOVFR II, MOVFR-RND II, MOVFRW II
List Price: \$14.00

CONN-0079N

16 POSITIONS



Connector, Plug 16 POS. 0.197" Where Used: MOVFR, MOVFRW
List Price: \$14.00

CONN-0142N

20 POSITIONS



Connector, Plug 20-POS 5 MM Centered Front, Insert Block
Where Used: MOVFR II, MOVFR-RND II, MOVFRW II
List Price: \$15.40

Terminal Blocks

OP11-0026N



Terminal Block, MOPM Operator
Where Used: MOPMP, MOPMPL
List Price: \$39.00

OP13-0024N



Terminal Block & Mounting Plate, Controller
Where Used: MOH, MOHL, MOM, MOML
List Price: \$93.00

OP13-0025N



Terminal Block, Old Box Motor Armature, & Field Connection/ Includes Resistor
Where Used: MOH, MOHL, MOM, MOML
List Price: \$47.00

OP13-0026N



Terminal Block, Attendant Feature
Where Used: MOH, MOHL, MOM, MOML
List Price: \$31.00

DOOR EQUIPMENT

Operator Parts

Terminal Blocks

Limit Control
Parts

OP13-0033N



Terminal Block, Motor Armature, & Field Connection
Where Used: MOHL, MOML
List Price: \$12.40

OP13-0034N



Terminal Block, Microswitch Contact
Where Used: MOHL, MOML
List Price: \$12.40

OP13-0035N



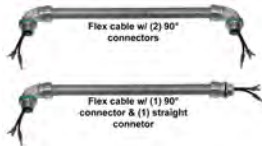
Terminal Block, Attendant Feature
Where Used: MOHL, MOML
List Price: \$12.40

OP71-0007N



Terminal Block, MOX And MOW Operator Limit
Where Used: MOWL, MOXL
List Price: \$62.00

Conduits



Part No.	Where Used	Description	List Price
OP27-0004N	MODLNYC	Conduit, 3/8 Liquid Tight, Flex Cable 32" Lg. (2) 3/8 Connectors (1) 90 Deg-1/2" KO & Electric Wires For Gate Switch	\$62.00
OP27-0012N	MODPLNYC	Conduit, 3/8 Liquid Tight, Flex Cable 50" Lg. (2) 3/8 Connectors 90 Deg 1/2" KO & Electric Wires For Gate Switch	\$74.00
OP27-0006N	MODLNYC	Conduit, 3/8 Liquid Tight, Flex Cable 12 1/2" Lg. (2) 3/8 Connectors 90 Deg 1/2" KO from Motor to Limit Control Box	\$37.00
OP27-0014N	MODPLNYC	Conduit, 1/2 Liquid Tight, Flex Cable 12" Lg. (2) 1/2 Connectors (1) 90 Deg-1/2" KO & (1) Str-1/2" KO from Motor To Limit Control Box	\$37.00



Part No.	Where Used	Description	List Price
OP70-0024L/R	MOVFRW II	Conduit, 3/8 Liquid Tight Water Resistant, Flex Cable 15" Lg. (1) 3/8 Connectors (1) 90 Deg-1/2" KO & Electric Wires	\$39.00

Cables

MOVFR-0003N



Cable, MOVFR Operator Drive Ribbon, With Terminal Assembly (USED BEFORE 2-28-2003)
Where Used: MOVFR, MOVFRW
List Price: \$62.00

MOVFR-0019N



Cable, MOVFR Operator Drive Ribbon (USED AFTER 3-2-2003)
Where Used: MOVFR
List Price: \$50.00

MOVFR-0073N



Cable, MOVFR II Operator Drive Ribbon
Where Used: MOVFR II, MOVFR-RND II, MOVFRW II
List Price: \$50.00

DOOR EQUIPMENT

Operator Parts

Wires

OP12-0020N



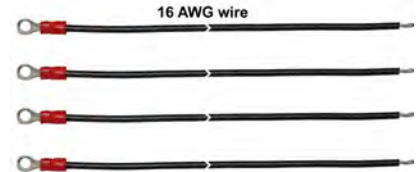
Wiring Harness, MOM/MOH Limit Control
Where Used: MOHL, MOML
List Price: \$139.00

OP10-0028N



Wires, Operator Limit Control
Where Used: MOD, MODL, MODLNYC, MODP, MODPL, MODPLNYC
List Price: \$10.80

OP13-0022N



Wires, Power Switch
Where Used: MOH, MOHL, MOHSV, MOM, MOML, MOMSVL
List Price: \$12.40

OP13-0018N



Wires, MOH & MOM Resistor
Where Used: MOH, MOHL, MOM, MOML
List Price: \$93.00

OP70-0005N



Wires, MOWL Resistor Assembly
Where Used: MOWL
List Price: \$93.00

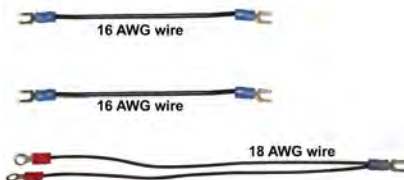
OP71-0008N



Wires, MOXL Resistor Assembly
Where Used: MOXL
List Price: \$93.00

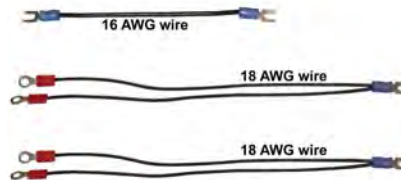
Jumpers

OP10-0022N



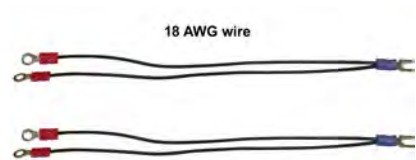
Jumpers, Operator Limit Control
Where Used: MOD, MODL, MODLNYC, MODP, MODPL, MODPLNYC
List Price: \$1.60

OP12-0005N



Jumpers, Operator Limit Control
Where Used: MOH, MOHL, MOM, MOML
List Price: \$1.60

OP43-0031N



Jumpers, Operator Limit Control
Where Used: MOHSV, MOMSVL
List Price: \$1.60

DOOR EQUIPMENT

Operator Parts

Resistors & Terminal Box Assemblies

Limit Control
Parts

MOH & MOM Series



Part No.	Motor Voltage	Description	List Price
OP13-0001N	220 DC	Resistor & Terminal Box Assembly, 220V Shunt Wound Motor	\$564.00
OP13-0002N	115 DC	Resistor & Terminal Box Assembly, 115V Shunt Wound Motor	\$564.00
OP13-0003N	220 DC	Resistor & Terminal Box Assembly, 220V PM Motor	\$564.00
OP13-0004N	115 DC	Resistor & Terminal Box Assembly, 115V PM Motor	\$564.00



Part No.	Description	List Price
OP13-0009N	Cover, MOM/MOH Operator Resistor Control Box	\$62.00

MOH & MOM Series 5 Resistors (Shunt Wound Motor)



Part No.	Motor Voltage	Description	List Price
OP13-0005N	220 DC	Resistor Assembly, MOM/MOH, 220V (750 OHMS 200 Watts [2]) For Shunt Wound Motor 220V (200 OHMS 200 Watts [3])	\$287.00
OP13-0006N	115 DC	Resistor Assembly, MOM/MOH, For Shunt Wound Motor 115V (50 OHMS 200 Watts [3]) 115V (250 OHMS 200 Watts [2])	\$287.00

MOH & MOM Series 4 Resistors (PM Motor)



Part No.	Motor Voltage	Description	List Price
OP13-0007N	220 DC	Resistor Assembly, MOM/MOH, For PM Motor 220V (200 OHMS 200 Watts [3]) 220V (750 OHMS 200 Watts [1])	\$278.00
OP13-0008N	115 DC	Resistor Assembly, MOM/MOH, For PM Motor 115V (50 OHMS 200 Watts [3]) 115V (250 OHMS 200 Watts [1])	\$278.00

Resistor Assemblies and Parts

MOD Series



Part No.	Motor Voltage	Description	List Price
OP10-0023N	220 DC	Resistor Assembly, MOD 230V, 300 OHMS 100 Watts	\$47.00
OP10-0024N	115 DC	Resistor Assembly, MOD 115V, 100 OHMS 100 Watts	\$47.00

DOOR EQUIPMENT

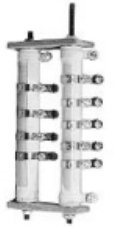
Operator Parts

Resistor Assemblies and Parts

MOCT & MOM/MOH Slow Down Resistor Assembly



Part No.	Motor Voltage	Description	List Price
OP16-0019N	220 DC	Resistor Assembly, MOCT 220V Slow Down, 300 OHMS 100 Watts	\$124.00
OP16-0020N	115 DC	Resistor Assembly, MOCT 115V Slow Down, 100 OHMS 100 Watts	\$124.00



Part No.	Motor Voltage	Description	List Price
OP17-0017N	220 DC	Resistor Assembly, MOMCT/MOHCT 220V, Slow Down 300 OHMS 100 Watts	\$148.00
OP17-0016N	115 DC	Resistor Assembly, MOMCT/MOHCT 115V, Slow Down 100 OHMS 100 Watts	\$148.00

MOCT Speed Resistor Assembly



Part No.	Motor Voltage	Description	List Price
OP16-0024N	220 DC	Resistor Assembly, MOCT 220V Speed, 250 OHMS 200 Watts	\$133.00
OP16-0025N	115 DC	Resistor Assembly, MOCT 115V Speed, 50 OHMS 200 Watts	\$133.00

MOD Auxiliary Control Panel Resistor Assembly



Part No.	Description	List Price
OP16-0081N	Resistor Assembly, Auxiliary Control Panel, 250 OHMS 200 Watts	\$148.00

Resistors

RES-0076N



Resistor, 1500 OHM 50 Watt With (1) Adjustable Band
List Price: \$10.80

RES-0097N



Resistor, 100 OHM 100 Watt With (2) Adjustable Bands, 115 VDC, 6 1/2" Lg.
List Price: \$15.40

RES-0098N



Resistor, 175 OHM 100 Watt With (2) Adjustable Bands, 6 1/2" Lg.
List Price: \$15.40

RES-0099N



Resistor, 300 OHM 100 Watt With (2) Adjustable Bands, 220 VDC, 6 1/2" Lg.
List Price: \$15.40

DOOR EQUIPMENT

Operator Parts

Resistor Assemblies and Parts

Limit Control
Parts

Resistors

RES-0104N



Resistor, 50 OHM 200 Watt With
(2) Adjustable Bands, 10" Lg.
List Price: \$24.80

RES-0107N



Resistor, 200 OHM 200 Watt With
(2) Adjustable Bands, 10" Lg.
List Price: \$24.80

RES-0108N



Resistor, 250 OHM 200 Watt With
(2) Adjustable Bands, 10" Lg.
List Price: \$24.80

RES-0110N



Resistor, 750 OHM 200 Watt With
(2) Adjustable Bands, 10" Lg.
List Price: \$24.80

RES-0115N



Resistor, 50 OHM 200 Watt With
(2) Adjustable Bands, 115 VDC,
Short 6 1/2" Lg.
List Price: \$44.00

RES-0116N



Resistor, 250 OHM 200 Watt With
(2) Adjustable Bands, 220 VDC,
Short 6 1/2" Lg.
List Price: \$44.00

Resistor Bands

HWEL-0001N



Resistor Band, 100 Watts Resistor
Where Used: MOD, MOH, MOM, MOWL, &
MOXL
List Price: \$6.20

HWEL-0003N



Resistor Band, 200 Watt MOH & MOM Resistor
Where Used: MOH & MOM
List Price: \$6.20

HWEL-0004N



Resistor Band, 200 Watt MOCT, (For 1 5/8 x 6
1/2 Res.)
Where Used: MODCT, MOHCT, & MOMCT
List Price: \$6.00

DOOR EQUIPMENT

Operator Parts

Resistor Assemblies and Parts

Resistor Rods

OP13-0028N



Rod Assembly, 11 3/4" Lg. Resistor Mounting, 200 Watt

Where Used: MOH, MOHL, MOM, MOML
List Price: \$6.20

OP16-0031N



Rod Assembly, 6 3/4" Lg. Resistor Mounting, 200 Watt Short

Where Used: MODCT, MODCTL, MOHCT, MOHCTL, MOMCT, MOMCTL
List Price: \$6.20

OP10-0042N



Rod Assembly, 9" Lg. Resistor Mounting, 100 Watt

Where Used: MOD, MODCT, MODCTA, MODCTAL, MODCTL, MODL, MODLNYC, MODP, MODPL, MODPLNYC, MOHCT, MOHCTL, MOMCT, MOMCTL
List Price: \$6.20

OP10-0043N



Rod Assembly, 8" Lg. Resistor Mounting, 100 Watt

Where Used: MOD, MODCT, MODCTA, MODCTAL, MODCTL, MODL, MODLNYC, MODP, MODPL, MODPLNYC, MOHCT, MOHCTL, MOMCT, MOMCTL
List Price: \$6.20

OP70-0006N



Rod Assembly, 7 1/8" Lg. Resistor Mounting, 100 Watt, Yellow Zinc Dichromate

Where Used: MOWL
List Price: \$12.40

OP71-0012N



Rod Assembly, 7-1/2" Lg. Resistor Mounting, 100 Watt, Yellow Zinc Dichromate

Where Used: MOXL
List Price: \$15.40

Insulator Kits

OP10-0055N



Insulator Nudging Kit, MOD Operator
Where Used: MOD, MODL
List Price: \$47.00

OP10-0059N



Insulator Kit, MODHFI Spring Unlocking Device
Where Used: MODHFL
List Price: \$62.00

DOOR EQUIPMENT

Operator Parts

Resistor Assemblies and Parts

Limit Control
Parts

Insulators

OP13-0019N



Insulator, 3 3/4" x 7 1/2" x 1/4" top
Where Used: MOH, MOHL, MOM, MOML
List Price: \$31.00

OP13-0020N



Insulator, 3 3/4" x 7 1/2" x 1/4" bottom
Where Used: MOH, MOHL, MOM, MOML
List Price: \$31.00

OP10-0041N



Insulator, Operator Resistor Bottom, 3" x 1" x 1/4" With 2 Holes
Where Used: MOD, MODL, MODL-NYC, MODP, MODPL, MODPLNYC
List Price: \$4.00

OP10-0027N



Insulator, Operator Resistor Top Assembly, 3" x 1 3/8" x 1/4" With Nudging
Where Used: MOD, MODL, MODP, MODPL
List Price: \$4.00

OP70-0007N



Insulator, MOW Box Top & Bottom, 1 1/2" x 3 3/4" x .017"
Where Used: MOWL
List Price: \$4.00

OP71-0009N



Insulator, MOX Operator Box Bottom, 1 11/16" x 3 1/4" x .030" Natural C.E. Canvas Bakelite
Where Used: MOXL
List Price: \$4.00

OP16-0028N

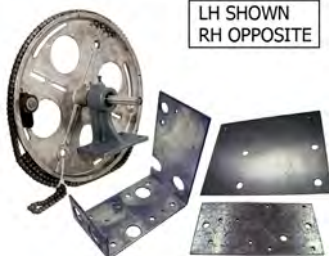


Insulator, MOCT Resistor Top & Bottom, 3" x 1 3/8" x 1/4" With 2 Holes
Where Used: MODCT, MODCTL, MOHCT, MOHCTL, MOMCT, MOMCTL
List Price: \$4.00

Pulley Assemblies & Pulleys

Drive Pulley Assemblies

MOD Series Before 4-1-1978



LH SHOWN
RH OPPOSITE

Part No: OP10-0030L/R
Pulley Assembly, Drive MOD Old Style/ Used For #35 Chain Jobs Before 4-1-1978
Where Used: MOD, MODL
List Price: \$259.00

MOD Series Before 5-1-2006



Part No: OP10-0029N
Pulley Assembly, Drive MOD, Use For #35 Chain Jobs Between 4-1-1978 And 5-1-2006
Where Used: MOD, MODL, MODLNYC
List Price: \$222.00

MOD Series Before 5-1-2006



Part No: OP10-0063N
Pulley Assembly, Drive MOD, With Retiring Cam Pick-Up/Use For #35 Chain Jobs Before 5-1-2006
Where Used: MOD, MODL, MODP, MODPL
List Price: \$250.00

DOOR EQUIPMENT

Operator Parts

Pulley Assemblies & Pulleys

Drive Pulley Assemblies

MOD Series After 4-30-2006



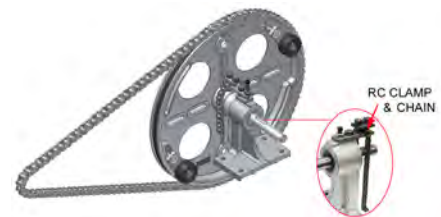
Part No: OP10-0079N
 Pulley Assembly, Drive MOD, Use For #40 Chain
 Jobs After April 30 2006
 Where Used: MOD, MODL, MODLNYC
 List Price: \$222.00

MOD Series After 4-30-2006



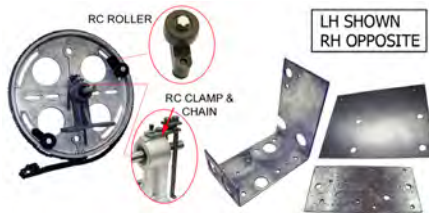
Part No: OP10-0080N
 Pulley, MOD Operator Drive, Use For #40 Chain
 Jobs After April 30 2006
 Where Used: MOD, MODL, MODLNYC
 List Price: \$93.00

MOD Series After 4-30-2006



Part No: OP10-0083N
 Pulley Assembly, Drive MOD, With Retiring Cam
 Pick-Up/Use For #40 Chain Jobs After 4-30-2006
 Where Used: MODL, MODPLNYC
 List Price: \$250.00

MODP Series Before 4-1-1978



Part No: OP11-0005L/R
 Pulley Assembly, Drive MODP Old Style/Used
 For #35 Chain Jobs Before 4-1-1978
 Where Used: MODP, MODPL
 List Price: \$287.00

MODCT, MOH & MOM Series



Part No: OP21-0001N
 Pulley Assembly, MODCT, MOM & MOH Opera-
 tor Drive
 Where Used: MODCTAL, MODCTL, MOH, MO-
 HCTL, MOHL, MOM, MOMCTL, MOML
 List Price: \$235.00

CT (Car Top) Operators



Part No: OP21-0007N
 Pulley Assembly, CT Drive, For "L & Shoe" Type
 Panel Operator.
 Where Used: MODCT, MODCTA, MODCTAL,
 MODCTAP, MODCTL, MODCTP, MODCTPL, MO-
 HCT, MOHCTL, MOHCTP, MOHCTPL, MOMCT,
 MOMCTL, MOMCTP, MOMCTPL
 List Price: \$292.00

MOML & MOHL Series



Part No: OP21-0009L/R
 Pulley Assembly, MOM/MOH Drive, For "L" Type
 Panel Operator, With Retiring Cam Pick Up
 Where Used: MOHL, MOML
 List Price: \$292.00

MOCT & MOVFR Series



Part No: OP21-0017N
 Pulley Assembly, MOVFR, MOVFR II and MOCT
 (old) Operator Drive
 Where Used: MOCT, MOVFR, MOVFR II, MOVFR-
 RND II
 List Price: \$247.00

DOOR EQUIPMENT

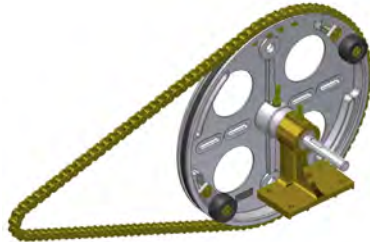
Operator Parts

Pulley Assemblies & Pulleys

Miscellaneous
Parts

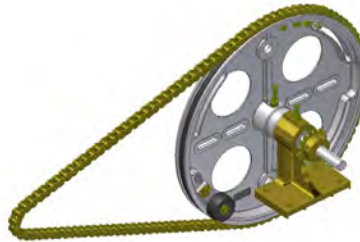
Drive Pulley Assemblies (Water/Explosion Resistant)

OP21-0024N



Pulley Assembly, MOVFRW II Drive
Where Used: MOVFRW II
List Price: \$441.00

OP70-0020N



Pulley Assembly, MOW Zinc Plated With Sprocket Drive
Where Used: MOWL
List Price: \$432.00

OP71-0022N



Pulley Assembly, MOX With Sprocket Drive
Where Used: MOXL
List Price: \$432.00

Intermediate Pulley Assemblies

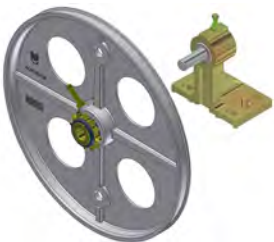
MOD, MOM, MOH & MOVFR Series



Part No.	Description	List Price
OP20-0001N	Pulley Assembly, MOD Intermediate, With 15 Tooth Sprocket, Before 5-1-2006	\$193.00
OP20-0002N	Pulley Assembly, Intermediated MOD, MOM, MOH & MOVFR, With 12 Tooth Sprocket (MOD Series After 4-30-2006)	\$208.00
OP20-0004N	Pulley, MOD/MOM/MOH/MOVFR II Intermediate, With 12 Tooth Sprocket	\$116.00

Intermediate Pulley Assemblies (Water Resistant)

MOVFRW II & MOWL



Part No.	Description	List Price
OP20-0008N	Pulley Assembly, MOVFRW II Intermediate, With 12 Tooth Sprocket Yellow Zinc Dichromate	\$339.00

DOOR EQUIPMENT

Operator Parts

Pulley Assemblies & Pulleys

Motor Pulley

HWPL-0009N



Pulley, AS17 x 1/2 With Hub
Where Used: MOA, MOPMP
List Price: \$18.60

HWPL-0001N



Pulley, AS17 x 5/8" With Hub & Set Screw
D.O. - S/S: 22"-42", 2/SP: 24"-59",
C/P: 73"-83"
Where Used: MOD, MODCT,
MODCTA, MODCTAL, MODCTL,
MODCTLVF, MODHFL, MODL,
MODLNYC, MODPLNYC, MOHCTL,
MOHL, MOMCTL, MOMHFL,
MOML, MOVFR II, MOVFR-RND II,
MOXL
List Price: \$18.60

HWPL-0004N



Pulley, OK22 x 5/8" With Socket
Set Screw
D.O. - S/S: 43"-48", 2/SP: 60"-72"
Where Used: MODCTAL, MODCTL,
MODHFL, MODL, MOHCTL, MOHL,
MOMCTL, MOMHFL, MOML
List Price: \$23.20

HWPL-0006N



Pulley, AS22 x 5/8", Standard Gearing
Motor Pulley
D.O. - C/P & 2SP/CP: 50"-59"
Where Used: MOD, MODCT,
MODCTA, MODCTAL, MODCTL,
MODCTLVF, MODHFL, MODL,
MODLNYC, MODPLNYC, MOHCTL,
MOHL, MOMCTL, MOMHFL,
MOML, MOXL
List Price: \$23.20

HWPL-0011N



Pulley, AS25 x 5/8" With Set Screw
D.O. - C/P: 24"-83", 2SP/CP: 32"-
83"
Where Used: MOVFR II, MOVFR-
RND II, MOXL
List Price: \$18.60

HWPL-0012N



Pulley, AK30 x 5/8" With Hub
D.O. - S/S: 22"-42", C/P & 2SP/CP:
30"-83"
Where Used: MOXL
List Price: \$31.00

HWPL-0015N



Pulley, AK26 x 5/8" With Hub
D.O. - S/S: 43"-48", 2/SP & 3/SP:
61"-83"
Where Used: MOXL
List Price: \$31.00

Motor Pulley (Water Resistant)

HWPL-0017N



Pulley, AK26 x 5/8" With Hub Zinc Plated, Zinc
Plated
D.O. - S/S: 43"-48", 2/SP & 3/SP: 61"-83"
Where Used: MOVFRW, MOWL
List Price: \$62.00

HWPL-0018N



Pulley, AK30 x 5/8" With Hub Zinc Plated, Zinc
Plated
D.O. - 2/SP: 24"-60", 3/SP: 30"-60", C/P: 24"-83",
2SP/CP: 32"-83"
Where Used: MOVFRW, MOWL
List Price: \$62.00

HWPL-0023N



Pulley, OK30 x 5/8" With Hub Zinc Dichromate
D.O. - 2/SP: 24"-60", 3/SP: 30"-60", C/P: 24"-83",
2SP/CP: 32"-83"
Where Used: MOWL
List Price: \$62.00

DOOR EQUIPMENT

Operator Parts

Pulley Assemblies & Pulleys

Miscellaneous
Parts

Motor Pulley (Water Resistant)

HWPL-0028N



Pulley, AS25 x 5/8" MOVFRW II Plated, Yellow Zinc Dichromate
D.O. - C/P: 24"-83", 2SP/CP: 32"-83"
Where Used: MOVFRW II
List Price: \$37.00

HWPL-0029N



Pulley, AS17 x 5/8" MOVFRW II Plated, Yellow Zinc Dichromate
D.O. - S/S: 22"-60", 2/SP & 3/SP: 28"-83"
Where Used: MOVFRW II
List Price: \$37.00

Reduction Pulley

HWPL-0003N



Pulley, OK20 x 5/8", Reduction Unit Motor
Where Used: MOD, MOH, MOM
List Price: \$23.20

HWPL-0005N



Pulley, AS20 x 5/8", Reduction Unit Motor Pulley
D.O. - C/P: 60"-72", 2SP/CP: 60"-83"
Where Used: MOD, MODCT, MODCTA, MODCTAL, MODCTL, MODCTLV, MODHFL, MODL, MODLNYC, MODPLNYC, MOHCTL, MOHL, MOMCTL, MOMHFL, MOML, MOXL
List Price: \$23.20

HWPL-0021N



Pulley, AS22 x 5/8", Reduction Unit Front Pulley
D.O. - S/S: 43"-48", 2/SP: 60"-72"
Where Used: MODCTAL, MODCTL, MODHFL, MODL, MOHCTL, MOHL, MOMCTL, MOMHFL, MOML, MOXL
List Price: \$23.20

HWPL-0007N



Pulley, OK40 x 5/8", Reduction Unit Rear Pulley
D.O. - S/S: 43"-48", 2/SP: 60"-72"
Where Used: MODCTAL, MODCTL, MODHFL, MODL, MOHCTL, MOHL, MOMCTL, MOMHFL, MOML, MOXL
List Price: \$31.00

HWPL-0008N



Pulley, OK60 x 5/8", Reduction Unit Rear Pulley
D.O. - 3SP/SP: 84"-144"
Where Used: MOHSV, MOMSVL
List Price: \$56.00

HWPL-0014N



Pulley, OK35 x 5/8" With Hub, Reduction Unit Rear Pulley
D.O. - S/S: 22"-42", 2/SP & 3/SP: 61"-83", C/P & 2SP/CP: "30"-83"
Where Used: MOXL
List Price: \$31.00

DOOR EQUIPMENT

Operator Parts

Pulley Assemblies & Pulleys

Reduction Pulley (Water Resistant)

HWPL-0016N



Pulley, AS22 x 5/8", Reduction Unit Front Pulley, Yellow Zinc Dichromate
D.O. - C/P: 24"-59", 2SP/CP: 32"-48"
Where Used: MOWL
List Price: \$47.00

HWPL-0022N



Pulley, OK30 x 5/8" With Hub, Zinc Plated Reduction Unit Rear Pulley
D.O. - S/S: 22"-42", 2/SP & 3/SP: 61"-83", C/P: 24"-83", 2SP/CP: 32"-83"
Where Used: MOWL
List Price: \$62.00

HWPL-0019N



Pulley, OK35 x 5/8" With Hub Zinc Plated, Reduction Unit Rear Pulley
D.O. - S/S: 22"-42", 2/SP & 3/SP: 61"-83", C/P & 2SP/CP: "30"-83"
Where Used: MOVFRW II, MOWL
List Price: \$62.00

HWPL-0020N



Pulley, OK40 x 5/8" With Hub Zinc Plated, Reduction Unit Rear Pulley
D.O. - S/S: 43"-48", 2/SP: 24"-60", 3/SP: 30"-60"
Where Used: MOVFRW II, MOWL
List Price: \$62.00

Bearing Blocks & Parts

Drive, Intermediate, and Reduction Pulleys

OP10-0033L/R



Drive

Block Kit, Drive Pulley Bearing (Replacement Of Old Style Before April 1978)
Where Used: MOD, MODL, MO
List Price: \$121.00

OP10-0034N



Drive

Block, Drive Pulley Bearing (6 3/8" O.A. Shaft)
Where Used: MOD, MODL, Early MOCT
List Price: \$84.00

OP21-0003N



Drive

Block, MOM-MOH Drive Pulley Bearing
Where Used: MOM, MOH, MODCT, MOMCT, & MOHCT Series
List Price: \$84.00

OP71-0013N



Drive

Block, Drive Pulley Bearing (6 3/8" O.A. Shaft, 2 Flats)
Where Used: MOX
List Price: \$91.00

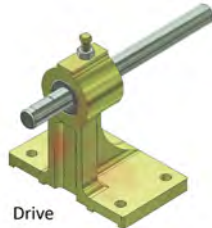
OP21-0013N



Drive

Block, Drive Pulley Bearing, With Retiring Cam Pick Up (All Operators)
Where Used: MOM, MOH, MOCT Series
List Price: \$102.00

OP21-0020N



Drive

Block, MOVFRW II, Yellow Zinc Dichromate Drive Pulley Bearing (7 1/2" O.A. Shaft)
Where Used: MOVFRW II
List Price: \$198.00

OP21-0026N



Drive

Block, Drive Pulley Bearing (7 1/2" O.A. Shaft)
Where Used: MOVFR, MOVFR II, MOVFR-RND II
List Price: \$84.00

OP20-0005N



Intermediate

Block, Intermediate Pulley Bearing
Where Used: All MOD, MOM & MOH Series Operators and MOD-HFL, MODLNYC, MOVFR II, & MOXL
List Price: \$101.00

DOOR EQUIPMENT

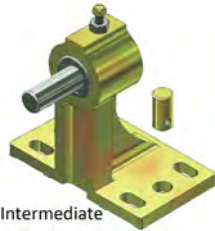
Operator Parts

Bearing Blocks & Parts

Miscellaneous
Parts

Drive, Intermediate, and Reduction Pulleys

OP20-0012N



Intermediate

Block, MOVFRW II Intermediate Pulley Bearing, Yellow Zinc Dichromate
Where Used: MOVFRW II, MOWL
List Price: \$201.00

OP20-0007N



Reduction

Block, Reduction Unit Bearing (5 3/4" O.A. Shaft)
Where Used: MODCTAL, MODCTL, MODHFL, MODL, MOHCTL, MOHL, MOMCTL, MOMHFL, MOML, MOXL
List Price: \$84.00

OP70-0014N



Reduction

Block, Reduction Pulleys And Bearing, Yellow Zinc Dichromate
Where Used: MOWL
List Price: \$370.00

OP71-0018N



Reduction

Block, MOX Idler Pulley Bearing
Where Used: MOXL
List Price: \$185.00

Operator Retiring Cam Clamp Kits



Part No.	Where Used	Description	List Price
RC1-0017N	All Operators	Clamp Kit, Retiring Cam Pick-Up	\$27.80

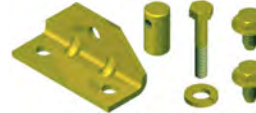
Adjustable Angles

OP20-0006N



Description
Angle, Bearing Block Adjustable
Where Used: All Operators
List Price: \$27.80

OP20-0014N



Description
Angle, Bearing Block Adjustable Plated, Yellow Zinc Dichromate
Where Used: MOVFRW II
List Price: \$56.00

Belt Tensioner Assemblies & Parts

Tensioner Assemblies

OP70-0011N



Description
Tensioner Assembly, MOW Belt, Yellow Zinc Dichromate
Where Used: MOWL, MOWL-2
List Price: \$108.00

OP71-0014N



Description
Tensioner Assembly, MOX Belt
Where Used: MOXL
List Price: \$54.00

DOOR EQUIPMENT

Operator Parts

Belt Tensioner Assemblies & Parts

Angles, Plates, and Roller

OP70-0012N



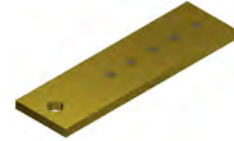
Angle, Yellow Zinc Dichromate Tensioner, 2 1/2" x 3 7/8" x 10 Gauge
Where Used: MOWL
List Price: \$37.00

OP71-0015N



Angle, MOX Tensioner, 2 1/2" x 3 7/8" x 10 Gauge
Where Used: MOXL
List Price: \$23.20

OP70-0018N



Plate, MOW Yellow Zinc Plated Tensioner
Where Used: MOWL
List Price: \$37.00

OP71-0016N



Plate, MOX Tensioner
Where Used: MOXL
List Price: \$18.60

OP70-0017N



Roller, MOW Yellow Zinc Plated Belt Tension, Modify In House From ROL-0001N
Where Used: MOWL
List Price: \$31.00

Sprocket & Shafts

Sprocket & Shaft Kits

OP70-0004N



Description
Shaft Kit, MOW Yellow Zinc Plated Limit Control, With 16 Tooth Sprocket & 6 1/2" Lg. Shaft
Where Used: MOWL
List Price: \$54.00

OP71-0005N



Description
Shaft Kit, MOX Operator Limit Control, 7 1/2" Lg.
Where Used: MOXL
List Price: \$54.00

DOOR EQUIPMENT

Operator Parts

Sprocket & Shafts

Miscellaneous
Parts

Shaft Assemblies & Parts

OP12-0009N



Shaft, MOM/MOH Limit Control, 8 3/4" Lg. (For Jobs Before 11/2001)
Where Used: MOH, MOHL, MOHSV, MOM, MOML, MOMSVL
List Price: \$47.00

OP12-0010N



Shaft, MOM/MOH Limit Control, 10 3/4" Lg. (For Jobs Before 3/2000)
Where Used: MOH, MOHL, MOM, MOML
List Price: \$47.00

OP12-0017N



Shaft Assembly, MOM/MOH Limit Control, 8 7/8" Lg. Includes (2) Nylon Bushings (Blue) /16 Tooth Sprocket (For Jobs After 11/2001)
Where Used: MOHL, MOML
List Price: \$47.00

OP16-0029N



Shaft, MOCT Limit Control With Bushings, 8 1/2" Lg-16 Tooth Sprocket
Where Used: MODCT, MODCTL
List Price: \$47.00

OP17-0021N



Shaft, MOMCT/MOHCT, 10" Lg-16 Tooth Sprocket
Where Used: MOHCT, MOHCTL, MOMCT, MOMCTL
List Price: \$47.00

HDW-0030N



Collar, 1 1/8" OD x 5/8" ID # SC62, 1/4-20 S. Steel Set Shaft for Limit Control
Where Used: MODCT, MODCTL, MOHCT, MOHCTL, MOMCT, MOMCTL, MOWL, MOXL
List Price: \$3.60

Power Failure Unlocking Device & Parts

OP26-0004L/R



Description
Unlocking Device, PFU-3 Spring Assembly, With Roller Assembly. For Power Supply Failure (Used In England & Some Parts Of Europe)
Where Used: MODCTAL, MODCTL, MODHFL, MODL, MOHCTL, MOHL, MOMCTL, MOMHFL, MOML, MOVFR II
List Price: \$149.00

OP26-0003N



Description
Stop Assembly, PFU1, PFU2 Power Failure Unlocking Device (Used In England & Some Parts Of Europe)
Where Used: MODCTAL, MODCTL, MODCTPL, MODHFL, MODL, MODPL, MOHCTL, MOHCTPL, MOHL, MOHSV, MOMCTL, MOMCTPL, MOMHFL, MOML, MOMSVL
List Price: \$12.40

DOOR EQUIPMENT

Operator Parts

Power Failure Unlocking Device & Parts

Springs

SPG-0002N



Spring, 7/16" Lg. x 9/32" OD-0.018
Wire- 9 Turns-Music
List Price: \$0.80

SPG-0079N



Spring, 3" Lg. x 5/8" OD-0.105
Wire- 14 Turns-Music, 1/2" Cut
From SPG-0044N For PFU-3 Power
Failure Emergency Unlocking
Device
List Price: \$9.40

SPG-0062N



Spring, 10 1/2" Lg. x 21/32" OD-
0.105 Wire- 55 Turns, Cut From
SPG-0046N For PFU-1 Power Fail-
ure Emergency Unlocking Device,
2/SP 30"-UP D.O.
List Price: \$18.60

SPG-0063N



Spring, 12" Lg. x 9/16" OD-0.076
Wire- 61 Turns, Cut From SPG-
0041N For PFU-2 Power Failure
Emergency Unlocking Device, 2/SP
24"-29" D.O.
List Price: \$18.60

Stop Roller Assemblies

OP21-0025N



Stop Assembly, Operator Pulley,
Used For #40 Chain Jobs After
4-30-2006
Where Used: MODHFL, MODL,
MOHL, MOVFR II, MOXL
List Price: \$10.00

OP10-0032N



Stop Assembly, Operator Pulley,
Used For #35 Chain Jobs Before
5-1-2006
Where Used: MODHFL, MODL,
MOHL, MOVFR II, MOXL
List Price: \$9.40

OP21-0018N



Stop Assembly, Operator Pulley,
For MOVFR/Used For #35 Chain
Jobs Before 5-1-2006
Where Used: MOVFR II, MOVFR-
RND II, MOVFRW II
List Price: \$9.40

OP10-0040N



Roller & Bolt, Operator Stop
List Price: \$7.40

Stop Roller Plates

OP10-0044N



Plate, Operator Stop
List Price: \$9.40

OP21-0021N



Plate, MOVFRW II Operator Stop, Yellow Zinc
Dichromate
List Price: \$24.80

OP21-0023N



Plate, MOW Operator Stop, Yellow Zinc Dichro-
mate
List Price: \$18.60

DOOR EQUIPMENT

Operator Parts

Miscellaneous
Parts

Retiring Cam Pick-up Roller Assemblies

OP11-0015N



Roller Assembly, Retiring Cam Pick-Up, Use For Old Parts With #35 Chain Jobs Before 5-1-2006
Where Used: MOD, MODL, MODPLNYC
List Price: \$9.40

OP11-0031N



Roller Assembly, Retiring Cam Pick-Up, Use For New Parts With #40 Chain Jobs After 4-30-2006
Where Used: MOD, MODL, MODPLNYC
List Price: \$9.40

OP21-0014N



Roller Plate, Retiring Cam Pick Up, For CT Operators
List Price: \$39.00

OP21-0015N



Roller Plate, Retiring Cam Pick Up, For MOM/MOH Operators
List Price: \$39.00

OP21-0016N



Roller & Bolt, Retiring Cam Set, For CT/MOM/MOH Ret-Cam Pick Up
List Price: \$9.40

Belts, Chains, & Chain Parts

Drive Belt



Part No.	Where Used	Description	List Price
HWBL-0001N	All Operators Except MOVFRW-II, MOXL, MOWL	Belt, 2440 Operator Truflex, " V" Belt 15Y05, 4L440 (D.O. - S/S 22"-48", 2/SP 24"-72", 3/SP 30"-72")	\$18.60
HWBL-0006N	All Operators	Belt, Operator 2450 Truflex, " V" Belts 15Y06 (D.O. - CP-2SP/CP 24"-83", 3SP/CP 32"-88")	\$18.60
HWBL-0003N	MOX-L, Old Style MOWL (Aluminum Tank)	Belt, 2480 Operator (D.O. - All Opening Sizes)	\$18.60

Reduction Belt



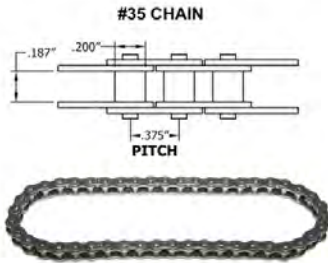
Part No.	Where Used	Description	List Price
HWBL-0002N	MOML, MOHL, CT Series	Belt, 1220 Operator Reduction (D.O. - S/S 43"-48", 2/SP 60"-72", CP 60"-72", 3SP/CP 61"-88")	\$18.60
HWBL-0004N	MOXL	Belt, 1400 Operator Reduction	\$18.60
HWBL-0005N	MODG	Belt, 1260 Operator Reduction	\$18.60
HWBL-0007N	MOWL	Belt, 1380 Operator Reduction	\$18.60

DOOR EQUIPMENT

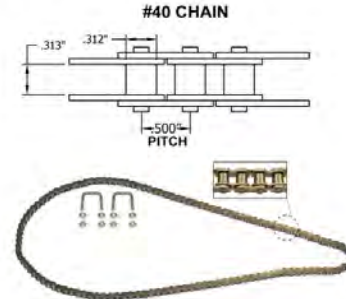
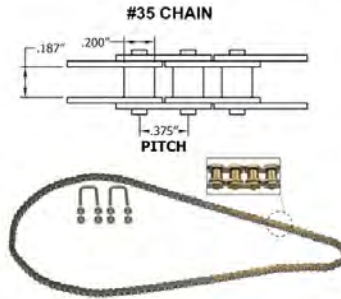
Operator Parts

Belts, Chains, & Chain Parts

Cam Drive Chain



Drive Pulley Chain



Chain Application Chart

Part No.	Where Used	Chain Type
CHN-0003N	MODCT, MODCTA, MODCTAL, MODCTAP, MODCTL, MODCTLVF, MOHCT, MOHCTL, MOMCT, MOMCTL	Cam Chain
CHN-0004N	MOH, MOHL, MOHSV, MOM, MOML, MOMSVL	
CHN-0010N	MOVFRW II, MOWL	
CHN-0019N	MOXL	
OP10-0036N	MOD, MODL, MODLNYC, MODP, MODPL, MODPLNYC (Before 5-1-2006)	Drive Pulley Chain
OP21-0005N	MODCT, MODCTA, MODCTAL, MODCTAP, MODCTL, MODCTLVF, MODCTP, MODCTPL, MODL, MOH, MOHCT, MOHCTL, MOHCTP, MOHCTPL, MOHL, MOM, MOMCT, MOMCTL, MOMCTP, MOMCTPL, MOML, MOVFR II, MOVFR-RND II, MOXL (All MOD series after 4-30-2006)	
OP70-0010N	MOVFRW II, MOWL	

Cam Drive Chain

Part No.	Description	List Price
CHN-0003N	Chain, MOCT #35 Cam Drive, 3/8" Pitch x 3/16" Width x 17 1/4" Lg.	\$37.00
CHN-0004N	Chain, MOM/MOH #35 Cam Drive, 3/8" Pitch x 3/16" Width x 19 1/2" Lg. Located From Drive Pulley-Limit Control	\$37.00
CHN-0010N	Chain, MOW/ MOVFRW #35 Cam Drive, 3/8" Pitch x 3/16" Width x 19 1/2" Lg. Plated	\$99.00
CHN-0019N	Chain, MOX #35 Cam Drive, 3/8" Pitch x 3/16" Width x 18 5/8" Lg.	\$37.00

Drive Pulley Chain

Part No.	Description	List Price
OP10-0036N	Chain, MOD #35 Drive Pulley With Clamps (Use For Operators Built Before 5-1-2006, After Use OP21-0005N)	\$47.00
OP21-0005N	Chain, MOM/MOH #40 Drive Pulley With Clamps (All MOD & MOCT Series After 4-30-2006)	\$62.00
OP70-0010N	Chain, MOW-MOVFRW Drive Pulley Plated	\$108.00

Chain Connecting Master Link



Part No.	Description	List Price
CHN-0011N	Link, #40 Connecting Master Nickel Plated	\$4.80

DOOR EQUIPMENT

Operator Parts

Belts, Chains, & Chain Parts

Miscellaneous
Parts

Chain Clamps

OP10-0037N

#35 Chain Clamp



Clamps, MOD #35 Drive Chain (For Jobs Before 5-1-2006)
Where Used: MOD, MODL, MODLNYC, MODP, MODPL, MODPLNYC
List Price: \$4.80

OP21-0006N

#40 Chain Clamp



Clamps, MOM/MOH/MOCT #40 Drive Chain, (MOD Jobs After 4-30-2006)
Where Used: All Operators
List Price: \$4.80

OP70-0019N

#40 Chain Clamp



Clamps, MOW Yellow Zinc Plated Drive Chain
Where Used: MOVFRW II, MOWL
List Price: \$9.40

Bushings & Nylon Pins

Bushings

HWBS-0043N



Bushing, Flanged Bronze 11/16" OD x 3/8" ID, Flanged 3/32" & 1/4" Tale
Where Used: MOR
List Price: \$6.20

HWBS-0035N



Bushing, Sleeve Bronze 1" OD x 1 1/2" ID, Special # 31 Drill
Where Used: MOWL, MOXL
List Price: \$9.40

HWBS-0022N



Bushing, Nyliner 5/16 ID Type 7, 5L2-Ff Snap-In Type 7
Where Used: MODCTAL, MODCTL, MODCTPL, MODHFL, MODL, MODPL, MOHCTL, MOHCTPL, MOHL, MOHSV, MOMCTL, MOMCTPL, MOMHFL, MOML, MOMSVL
List Price: \$3.60

HWBS-0040N



Bushing, Sleeve Bronze 1" Lg. 5/8" OD-5/16" ID, For MOX Operator
Where Used: MOXL
List Price: \$6.20

HWBS-0004N



Bushing, Nyliner 5/8 ID Type 5, 10L10-F Flanged Type 5
Where Used: MOH, MOHL, MOHSV, MOM, MOML, MOMSVL, MOXL
List Price: \$3.60

HWBS-0038N



Bushing, Nyliner Plus 5/8, 10L5-1/2Fk-642 Type 6 For MOCT Cam Shaft
Where Used: MODCT, MODCTL, MOHCT, MOHCTL, MOMCT, MOMCTL
List Price: \$4.80

DOOR EQUIPMENT

Operator Parts

Bushings & Nylon Pins

Bushing Replacement Kit For MOCT Limit Cam Shaft

OP16-0065N



Description
 Kit, MOCT Bushing Replacement
 Where Used: MODCT, MODCTL, MOHCT,
 MOHCTL, MOMCT, MOMCTL
 List Price: \$15.40

OP16-0064N



Description
 Angle, Shaft Support Mounting, MODCTL/
 MOMCTL/MOHCT Limit Switch and Hard-
 ware Kit
 Where Used: MODCT, MODCTL, MOHCT,
 MOHCTL, MOMCT, MOMCTL
 List Price: \$10.80

Nylon Pins For Bridging Cams

PIN-0044N



Description
 Pin, 5/32" x 5/8" Black Nylon
 Where Used: Bridging Cam on All Operators
 except for MOVFR
 List Price: \$0.40

PIN-0045N



Description
 Pin, 1/8" x 5/8" Clear Nylon (Old Style)
 Where Used: Bridging Cam on All Operators
 except for MOVFR
 List Price: \$0.40

Spacers & Suppressors

Spacers (MOHL & MOML)

HDW-0404N



Description
 Spacer, 7/8" OD x .635" ID x 7/8" Lg. Brass,
 Use For MOM/MOH Limit Control
 Where Used: MOHL, MOML
 List Price: \$4.80

HDW-0405N



Description
 Spacer, 7/8" OD x .635" ID x 19/32" Lg.
 Brass, Use For MOM/MOH Limit Control
 Where Used: MOHL, MOML
 List Price: \$2.40

Suppressors



Part No.	Description	List Price
OP21-0004N	Suppressor, Rubber Pulley, With 2 1/16 x 9/16 Brass Nails/Use For Jobs After 4-30-2006 (Used In All Operators With #40 Chain)	\$4.80
OP10-0035N	Suppressor, Rubber Pulley, With 2 1/16 x 9/16 Brass Nails. Use For Jobs Before 5-1-2006 (Used In All MOD Operator Series With #35 Chain)	\$4.80

DOOR EQUIPMENT

Operator Parts

Spacers & Suppressors

Miscellaneous
Parts

Suppressors



Part No.	Where Used	Description	List Price
HDW-0025N	MODL, MOHL, MOVFR II	Ring, Sprocket Neoprene Cushion, 1 1/4 ID x 1.515 OD x 0.156 Thick (Used On Intermediate Pulley Sprocket)	\$0.42

Oil Checks

Note: G.A.L. uses Mobil DTE#10 hydraulic oil in all oil checks.

OC-0003N



Oil Check, OC-501 2/SP AC Operator (Old & New Style) S/S & C/P (New Style) With Short Damping Valve
List Price: \$231.00

OC-0004N



Oil Check, OC-502-A C/P AC Operator (Old Style) With Out Damping Valve
List Price: \$231.00

OC-0007N



Oil Check, OC-504 S/S & C/P AC Operator (Old Style)
List Price: \$231.00

OC-0008N



Seals, O-Rings, Oil Check Replacement Kit
List Price: \$9.40

Operator Mounting Hardware

OP1-0040N



Hardware, Operator S/S-2S/P 24"-48" D.O.
List Price: \$18.60

OP2-0050N



Hardware, Operator Center Parting
List Price: \$24.80

OP35-0010N



Hardware, Operator 2/SP-2SP/CP 49"-72" D.O.
List Price: \$21.60

DOOR EQUIPMENT

Operator Parts

Operator Mounting Hardware

HDW-0211N



Spacer, Cork Insulator For Operator Base, 4" x 1 1/4" x 1/8"
Where Used: All Operators
List Price: \$1.60

HWSC-0345N



Screw, 5/16-18 X 1/2" Hex Tap-Sems, Yellow Zinc Dichromate
Where Used: All Operators
List Price: \$1.00

GAL Hangers

CAR / HATCH DOOR HANGERS

S/S, 2/SP, C/P, 2SP/CP, 3/SP
(Geared/Ungear)

- **A** — Conventional Hanger (Standard)
- **AW** — Water Resistant Hanger
- **AX** — Dust/Explosion Resistant Hanger
- **C** — “Discontinued”, Use “A” Hangers for Replacement
- **HA** — Housing Authority Hanger (Vandal Resistant)
- **NYCHA** — New York City Housing Authority Hanger (Vandal Resistant)
- **HAW** — Housing Authority Hanger (Water Resistant)
- **I** — Round Door Hanger
- **OTIS I** — Otis Elevator Hanger
- **OS** — 2 1/4” Old Style Hanger (Hatch Door Hanger only)
- **Westinghouse Type I, II, III, IV, V**
(Replacement for Westinghouse Hatch Door Hangers only)

**CAR & HATCH DOOR
HANGER ASSEMBLIES**
PAGE 141-191

OLD STYLE HANGERS
PAGE 192-200

**WESTINGHOUSE
REPLACEMENT**
PAGE 210-209

CABLE GEARING
PAGE 210-213

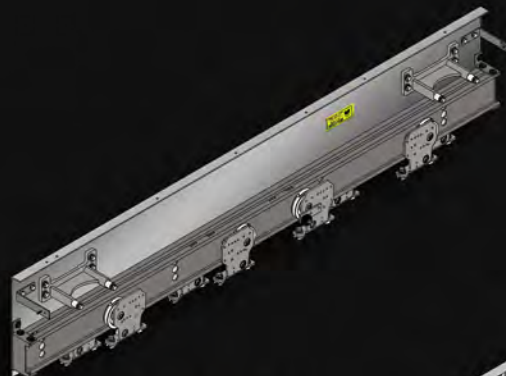
HEADERS & HI-CAB KITS
PAGE 214-217

• **SHEAVE ASSEMBLIES
& PARTS**
• **SECONDARY MECHANICAL
INTERCONNECTING
DEVICES**
PAGE 217-226

CAR & HATCH TRACKS
PAGE 226-234

HARDWARE
PAGE 235-244

DOOR EQUIPMENT



CAR DOOR HANGER



HATCH DOOR HANGER

SPECIAL HANGER SHEAVE ASSEMBLY NOTE

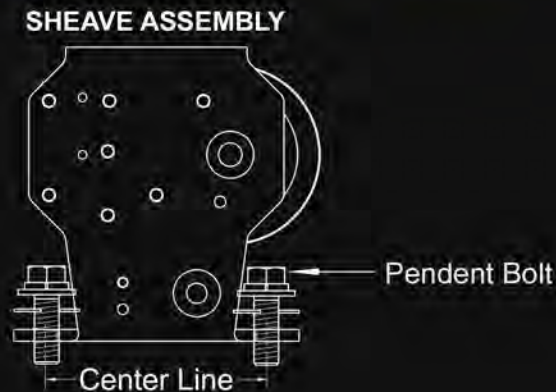
Besides the standard 4 1/8" center line with 3/8"-16 pendent bolts for sheave assemblies, G. A. L. can supply sheaves with various other center lines and bolt configurations (Non-G. A. L.)

Non-G. A. L. Sheave Center Lines Available:

- 4", 4 1/8", 4 1/4", 4 5/8", 4 3/4" with 1/2"-13 Pendent Bolts
- 3 3/4", 4", 4 1/4", 4 1/2", 4 3/4" with 3/8"-16 Pendent Bolts

G. A. L. can also supply unistruts (adaptor channels) for car door hangers as well as hatch door hangers in order to accommodate non-G. A. L. center lines & pendent bolts

A field survey is required and special engineering involved at additional cost, contact sales for info.



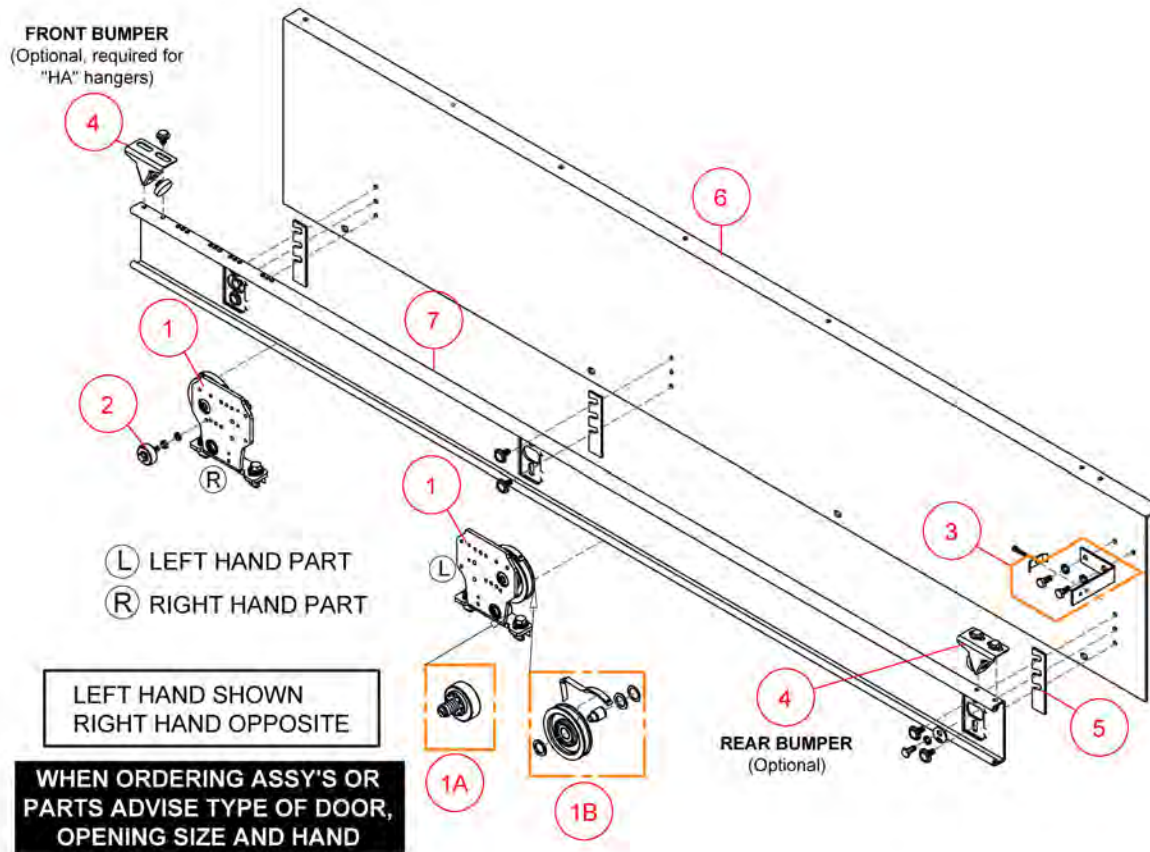
DOOR EQUIPMENT

Car Door Hanger Isometric Drawing

Single Speed - Type "A"

22"-48" Door Opening

Car Door Hanger
Assemblies



Part No.	Item No	Description
HH1-0022L/R	1	Sheave, 4-1/8 CL With 3/8-16 Bolts (Page# 221)
HH1-0024N	1A	Eccentric, "A" Sheave (Page# 225)
HH1-0025N	1B	Roller Kit, 3 1/4" Dia "A" (Page# 224)
SW1-0007N	2	Roller & Bolt, Gate Switch (Page# 417-Switch Section)
CDH1-0020N	3	Clamp, S/S-C/P Hanger Safety Edge Cable (Page# 226)

Part No.	Item No	Description
HH4-0055N	4	Bumper, "A" CP Assembly Stop (Page# 226)
HH1-0032N	5	Spacer, 1/8" Track (Page# 237)
CDH1-0144L/R	6	Header, A-Hanger S/S 22"-48" D.O. Car (Page# 214)
CDH1-XXXXX	7	Track, S/S Car Door (Page# 226)

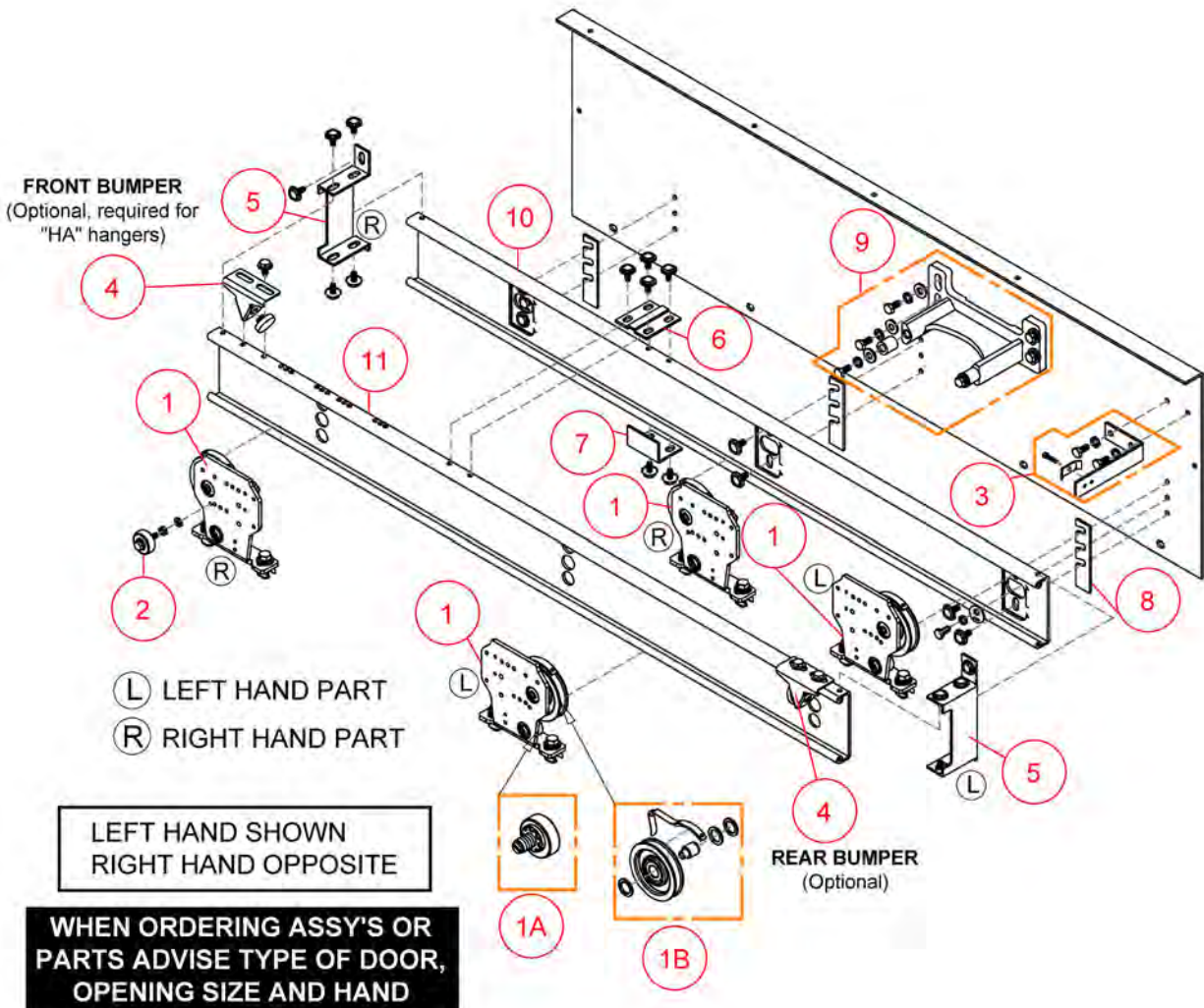
Mounting hardware included with this hanger assembly (Page# 242-244)

DOOR EQUIPMENT

Car Door Hanger Isometric Drawing

Two Speed (Ung geared) - Type "A"

24"-29" Door Opening



Part No.	Item No	Description
HH1-0022L/R	1	Sheave, 4-1/8 CL With 3/8-16 Bolts (Page# 221)
HH1-0024N	1A	Eccentric, "A" Sheave (Page# 225)
HH1-0025N	1B	Roller Kit, 3 1/4" Dia "A" (Page# 224)
SW1-0007N	2	Roller & Bolt, Gate Switch (Page# 417-Switch Section)
CDH2-0083N	3	Clamp, 2/SP-2SP/CP Safety Edge Cable (Page# 226)
HH4-0055N	4	Bumper, "A" CP Assembly Stop (Page# 226)

Part No.	Item No	Description
HH2-0052L/R	5	Bracket, Track End 1 1/2" (Page# 236)
HH2-0053N	6	Bracket, Track Top 1 1/2" (Page# 235)
HH2-0054N	7	Angle, Track Bottom 1 1/2" (Page# 235)
HH1-0032N	8	Spacer, 1/8" Track (Page# 237)
OP25-0002N	9	Bracket, 2SP/CP & 2/SP 24"-29" D.O. Drive Arm Support (Page# 99-Operator Section)
CDH2-XXXXX	10	Track, Slow Car Door (Page# 228)
CDH2-XXXXX	11	Track, Fast Car Door (Page# 228)

Mounting hardware included with this hanger assembly (Page# 242-244)

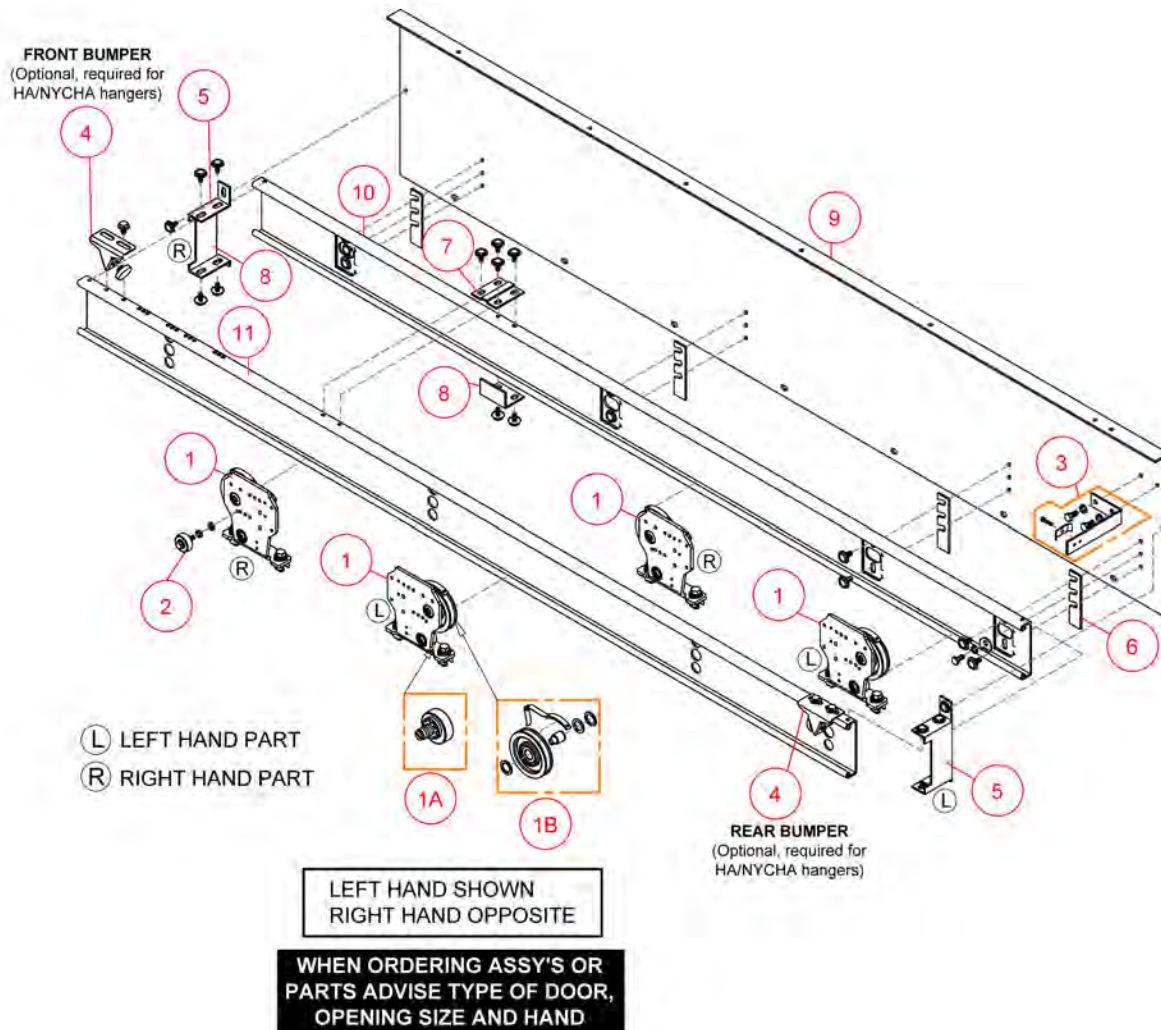
DOOR EQUIPMENT

Car Door Hanger Isometric Drawing

Two Speed (Ungeared) - Type "A"

49"-72" Door Opening

Car Door Hanger
Assemblies



Part No.	Item No	Description
HH1-0022L/R	1	Sheave, 4-1/8 CL With 3/8-16 Bolts (Page# 221)
HH1-0024N	1A	Eccentric, "A" Sheave (Page# 225)
HH1-0025N	1B	Roller Kit, 3 1/4" Dia "A" (Page# 224)
SW1-0007N	2	Roller & Bolt, Gate Switch (Page# 417-Switch Section)
CDH2-0083N	3	Clamp, 2/SP-2SP/CP Safety Edge Cable (Page# 226)
HH4-0055N	4	Bumper, "A" CP Assembly Stop (Page# 226)

Part No.	Item No	Description
HH2-0052L/R	5	Bracket, Track End 1 1/2" (Page# 236)
HH1-0032N	6	Spacer, 1/8" Track (Page# 237)
HH2-0053N	7	Bracket, Track Top 1 1/2" (Page# 235)
HH2-0054N	8	Angle, Track Bottom 1 1/2" (Page# 235)
CDH2-0158L/R	9	Header, A-Hanger 2/SP 30"-72" D.O. Car (Page# 214)
CDH2-XXXXX	10	Track, Slow Car Door (Page# 228)
CDH2-XXXXX	11	Track, Fast Car Door (Page# 228)

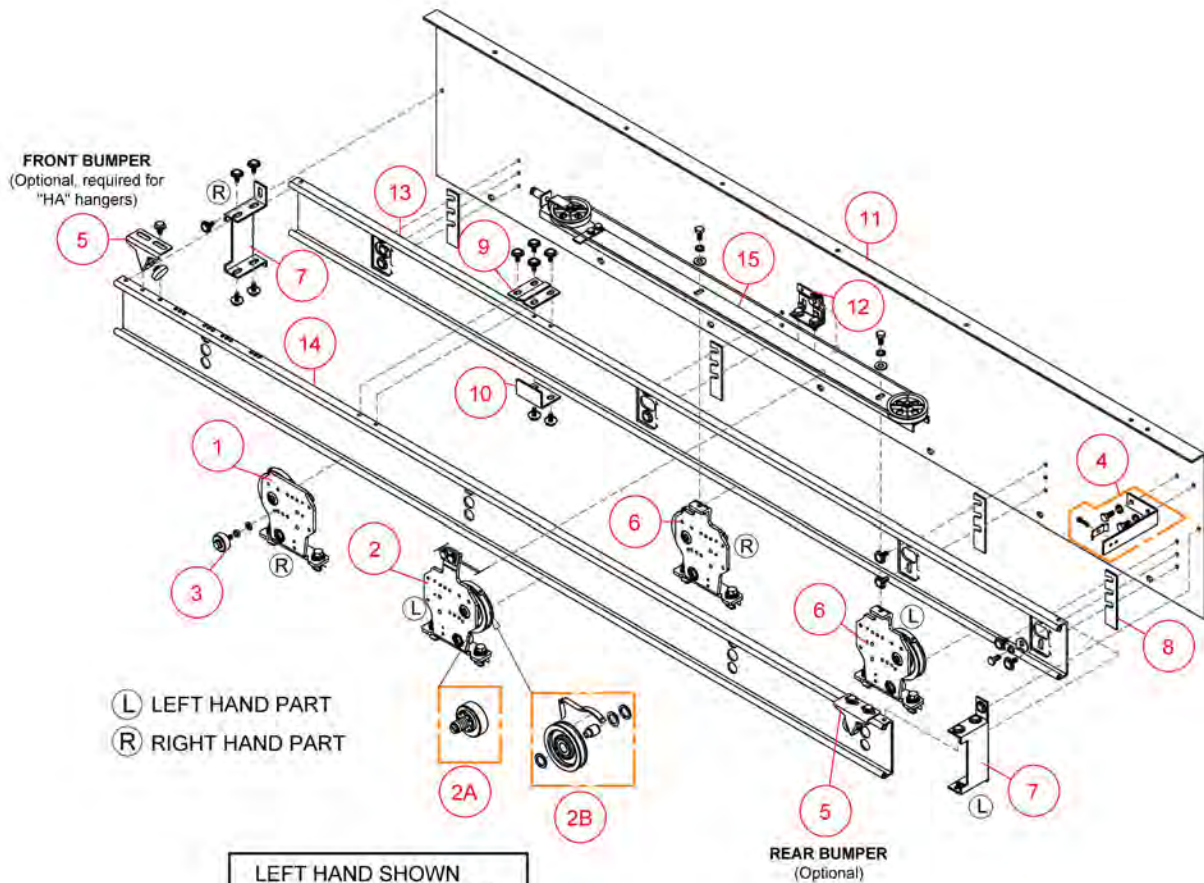
Mounting hardware included with this hanger assembly (Page# 242-244)

DOOR EQUIPMENT

Car Door Hanger Isometric Drawing

Two Speed (Geared) - Type "A"

30"-48" Door Opening



LEFT HAND SHOWN
RIGHT HAND OPPOSITE

WHEN ORDERING ASSY'S OR
PARTS ADVISE TYPE OF DOOR,
OPENING SIZE AND HAND

Part No.	Item No	Description
HH1-0022L/R	1	Sheave, 4-1/8 CL With 3/8-16 Bolts (Page# 221)
CDH2-0065L/R	2	Sheave, 2/SP Cable Gear Bar, Fast Door (Page# 221)
HH1-0024N	2A	Eccentric, "A" Sheave (Page# 225)
HH1-0025N	2B	Roller Kit, 3 1/4" Dia "A" (Page# 224)
SW1-0007N	3	Roller & Bolt, Gate Switch (Page# 417-Switch Section)
CDH2-0083N	4	Clamp, 2/SP-2SP/CP Safety Edge Cable (Page# 226)
HH4-0055N	5	Bumper, "A" CP Assembly Stop (Page# 226)

Part No.	Item No	Description
CDH2-0067L/R	6	Sheave, 2/SP Cable Gear Bar, Slow Door (Page# 221)
HH2-0052L/R	7	Bracket, Track End 1 1/2" (Page# 236)
HH1-0032N	8	Spacer, 1/8" Track (Page# 237)
HH2-0053N	9	Bracket, Track Top 1 1/2" (Page# 235)
HH2-0054N	10	Angle, Track Bottom 1 1/2" (Page# 235)
CDH2-0158L/R	11	Header, A-Hanger 2/SP 30"-72" D.O. Car (Page# 214)
CDH2-0082N	12	Clamp, 2/SP Cable Anchor (Page# 213)
CDH2-XXXXX	13	Track, 2/SP Slow Car Door (Page# 228)
CDH2-XXXXX	14	Track, 2/SP Fast Car Door (Page# 228)
CDH2-XXXXX	15	Bar Assembly, Cable Gearing (Page# 210)

Mounting hardware included with this hanger assembly (Page# 242-244)

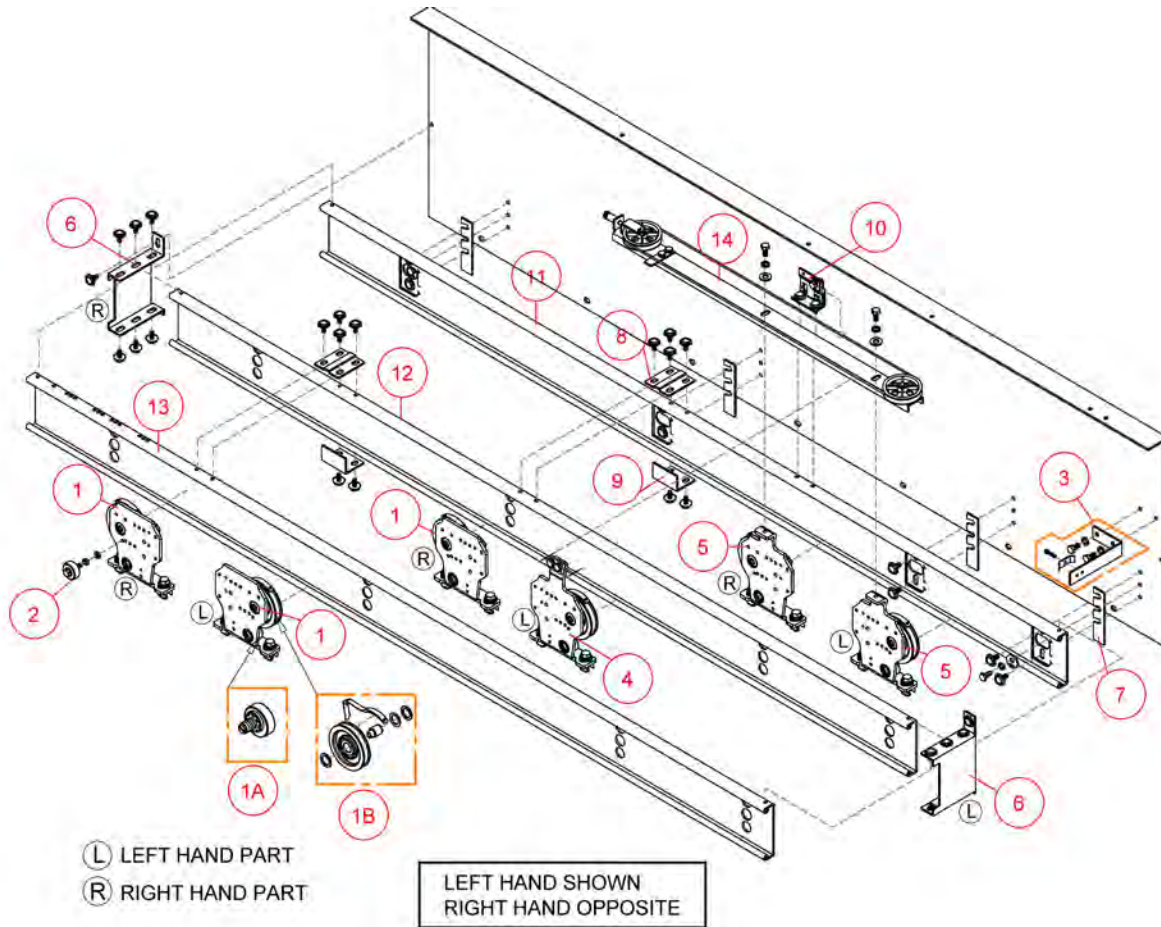
DOOR EQUIPMENT

Car Door Hanger Isometric Drawing

Three Speed (Geared) - Type "A"

30"-69" Door Opening

Car Door Hanger
Assemblies



Part No.	Item No	Description
HH1-0022L/R	1	Sheave, 4-1/8 CL With 3/8-16 Bolts (Page# 221)
HH1-0024N	1A	Eccentric, "A" Sheave (Page# 225)
HH1-0025N	1B	Roller Kit, 3 1/4" Dia "A" (Page# 224)
SW1-0007N	2	Roller & Bolt, Gate Switch (Page# 417-Switch Section)
CDH2-0083N	3	Clamp, 2/SP-2SP/CP Safety Edge Cable (Page# 226)
CDH2-0065L/R	4	Sheave, 2/SP Cable Gear Bar, Fast Door (Page# 221)
CDH2-0067L/R	5	Sheave, 2/SP Cable Gear Bar, Slow Door (Page# 221)

Part No.	Item No	Description
HH9-0163L/R	6	Bracket, 4 1/4" Track-3/SP End (Page# 236)
HH1-0032N	7	Spacer, 1/8" Track (Page# 237)
HH2-0053N	8	Bracket, Track Top 1 1/2" (Page# 235)
HH2-0054N	9	Angle, Track Bottom 1 1/2" (Page# 235)
CDH2-0082N	10	Clamp, 2/SP Cable Anchor (Page# 213)
CDH9-XXXXX	11	Track, 3/SP Slow Car Door (Page# 229)
CDH9-XXXXX	12	Track, 3/SP Intermediate Car Door (Page# 229)
CDH9-XXXXX	13	Track, 3/SP Fast Car Door (Page# 229)
CDH2-XXXXX	14	Bar Assembly, Cable Gearing (Page# 210)

Mounting hardware included with this hanger assembly (Page# 242-244)

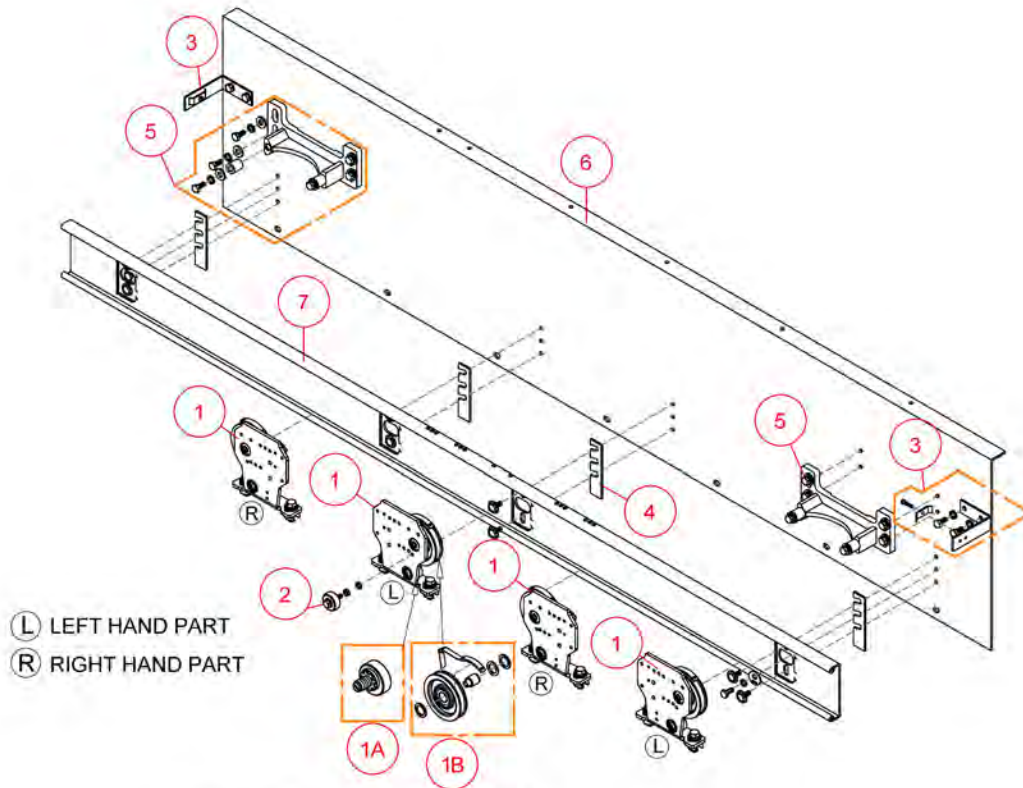
DOOR EQUIPMENT

Car Door Hanger Isometric Drawing

Center Parting - Type "A"

30"-59" Door Opening

Car Door Hanger Assemblies



WHEN ORDERING ASSY'S OR PARTS ADVISE TYPE OF DOOR, OPENING SIZE AND HAND

Part No.	Item No	Description
HH1-0022L/R	1	Sheave, 4-1/8 CL With 3/8-16 Bolts (Page# 221)
HH1-0024N	1A	Eccentric, "A" Sheave (Page# 225)
HH1-0025N	1B	Roller Kit, 3 1/4" Dia "A" (Page# 224)
SW1-0007N	2	Roller & Bolt, Gate Switch (Page# 417-Switch Section)
CDH1-0020N	3	Clamp, S/S-C/P Hanger Safety Edge Cable (Page# 226)

Part No.	Item No	Description
HH1-0032N	4	Spacer, 1/8" Track (Page# 237)
OP25-0001N	5	Bracket, C/P Arm Support (Page# 99)
CDH3-0290N	6	Header, A-Hanger CP 24"-59" D.O. Car (Page# 214)
CDH3-XXXXX	7	Track, C/P Car Door (Page# 230)

Mounting hardware included with this hanger assembly (Page# 242-244)

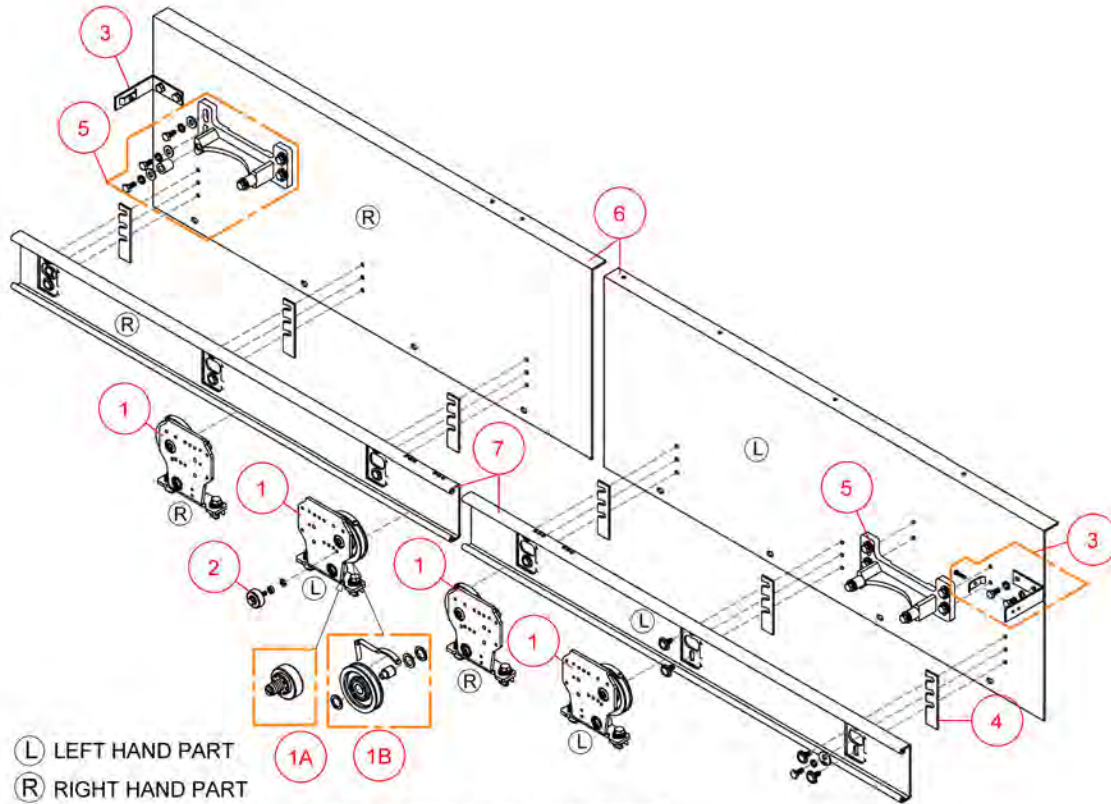
DOOR EQUIPMENT

Car Door Hanger Isometric Drawing

Center Parting (Split Track) - Type "A"

60"-83" Door Opening

Car Door Hanger
Assemblies



(L) LEFT HAND PART
(R) RIGHT HAND PART

WHEN ORDERING ASSY'S OR PARTS ADVISE TYPE OF DOOR, OPENING SIZE AND HAND

Part No.	Item No	Description
HH1-0022L/R	1	Sheave, 4-1/8 CL With 3/8-16 Bolts (Page# 221)
HH1-0024N	1A	Eccentric, "A" Sheave (Page# 225)
HH1-0025N	1B	Roller Kit, 3 1/4" Dia "A" (Page# 224)
SW1-0007N	2	Roller & Bolt, Gate Switch (Page# 417-Switch Section)

Part No.	Item No	Description
CDH1-0020N	3	Clamp, S/S-C/P Hanger Safety Edge Cable (Page# 226)
HH1-0032N	4	Spacer, 1/8" Track (Page# 237)
OP25-0001N	5	Bracket, C/P Arm Support (Page# 99)
CDH1-XXXXX	6	Header, S/S Car Door (Call G.A.L)
CDH1-XXXXX	7	Track, S/S Car Door (Call G.A.L)

Mounting Hardware Included with This Hanger Assembly

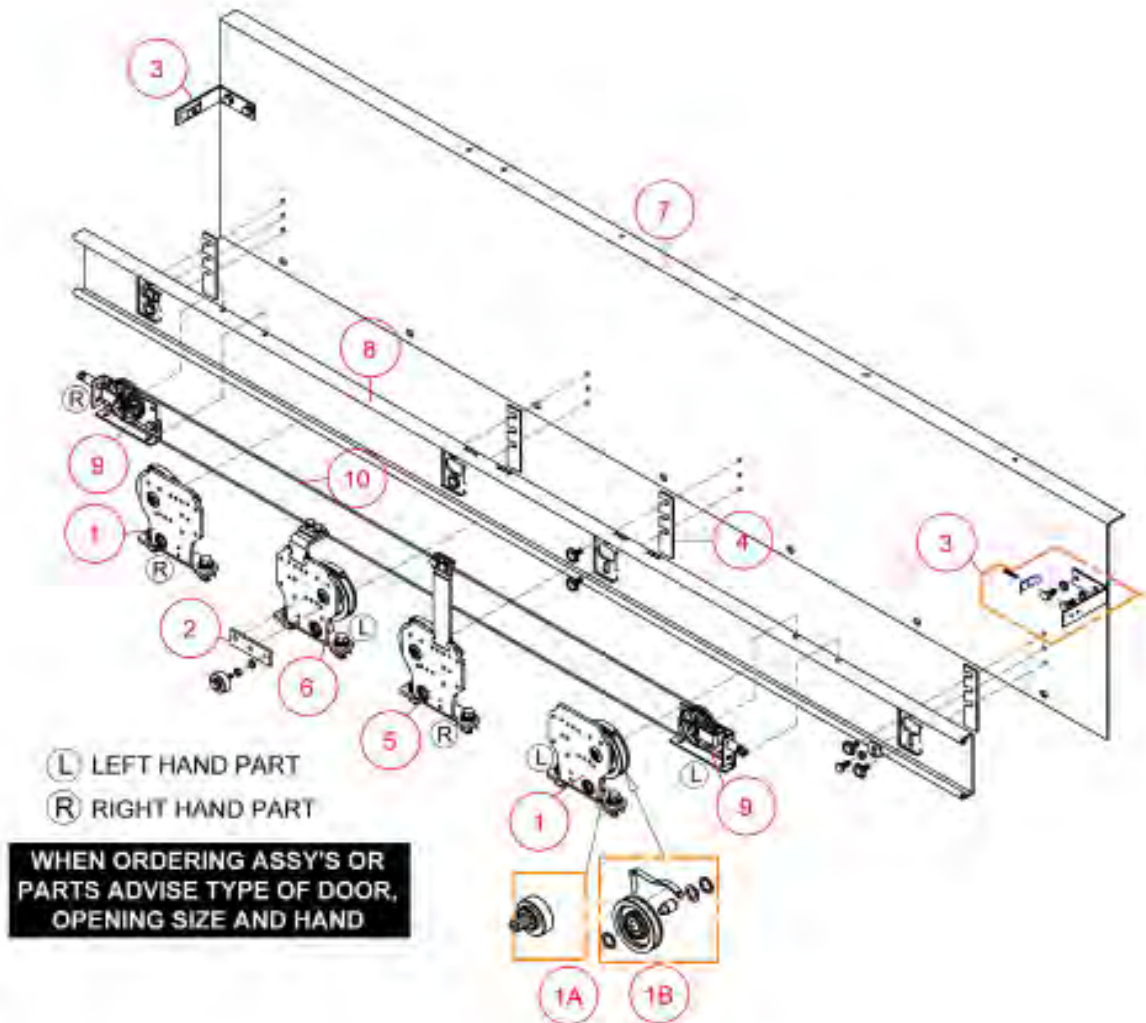
DOOR EQUIPMENT

Car Door Hanger Isometric Drawing

Center Parting (Vertically Geared) - Type "A"

30"-59" Door Opening

Car Door Hanger Assemblies



Part No.	Item No	Description
HH1-0022L/R	1	Sheave, 4-1/8 CL With 3/8-16 Bolts (Page# 221)
HH1-0024N	1A	Eccentric, "A" Sheave (Page# 225)
HH1-0025N	1B	Roller Kit, 3 1/4" Dia "A" (Page# 224)
SW1-0006N	2	Roller & Arm, Gate Switch (Page# 417-Switch Section)
CDH1-0020N	3	Clamp, S/S-C/P Hanger Safety Edge Cable (Page# 226)
HH1-0032N	4	Spacer, 1/8" Track (Page# 237)

Part No.	Item No	Description
CDH3-0269L/R	5	Sheave, C/P Vertical Gear 4 1/8" CL 3/8-16 Bolt With Bent & Notched Bracket (Page# 223)
CDH3-0270L/R	6	Sheave, C/P Vertical Gear 4 1/8" CL 3/8-16 Bolt With Clamp (Page# 223)
CDH3-0290N	7	Header, A-Hanger CP 24"-59" D.O. Car (Page# 214)
CDH3-XXXXX	8	Track, C/P Car Door (Page# 230)
CDH3-0267L/R	9	Pulley Assembly, C/P Vertical Gearing Tension (Page# 211)
HH3-XXXXX	10	Gearing Cable (Page# 212)

Mounting hardware included with this hanger assembly (Page# 242-244)

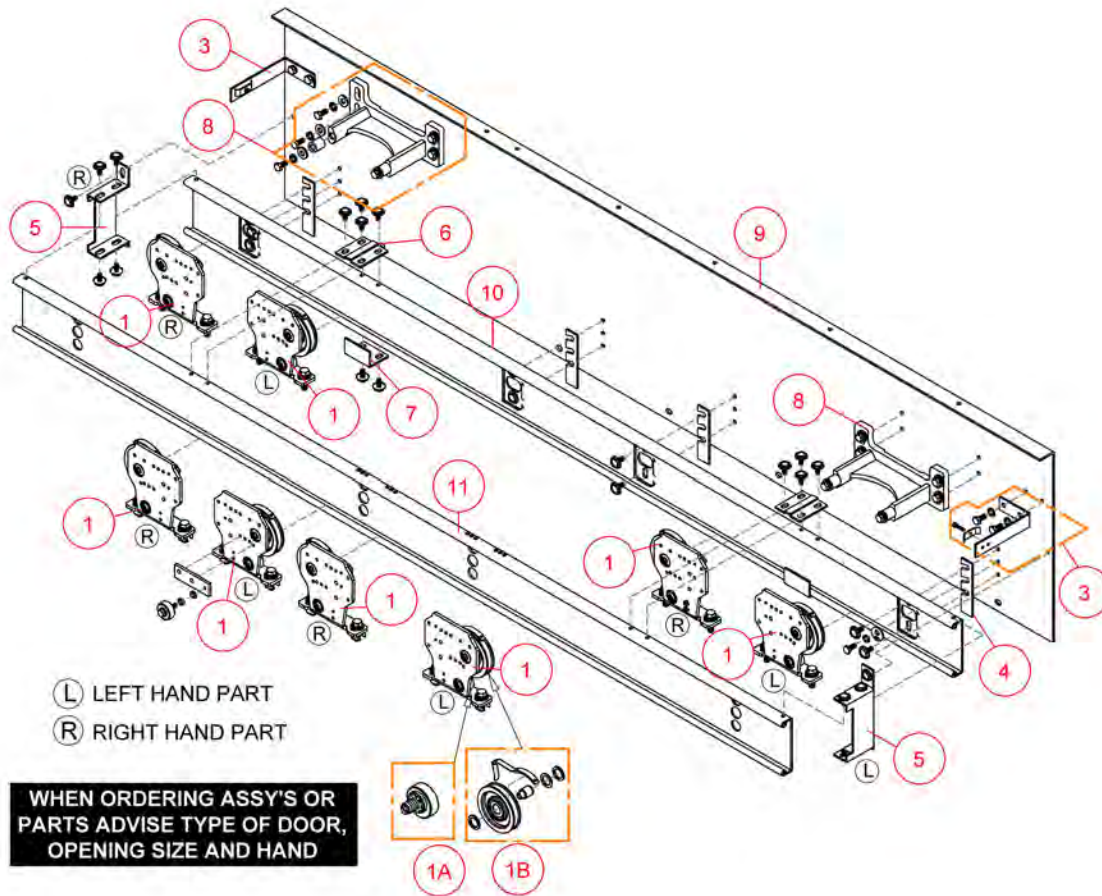
DOOR EQUIPMENT

Car Door Hanger Isometric Drawing

Two Speed Center Parting (Ungeared) - Type "A"

33"-72" Door Opening

Car Door Hanger
Assemblies



Part No.	Item No	Description
HH1-0022L/R	1	Sheave, 4-1/8 CL With 3/8-16 Bolts (Page# 221)
HH1-0024N	1A	Eccentric, "A" Sheave (Page# 225)
HH1-0025N	1B	Roller Kit, 3 1/4" Dia "A" (Page# 224)
SW1-0006N	2	Roller & Arm, Gate Switch 2SP/CP (Page# 417-Switch Section)
CDH2-0083N	3	Clamp, 2/SP-2SP/CP Safety Edge Cable (Page# 226)
HH1-0032N	4	Spacer, 1/8" Track (Page# 237)
HH2-0052L/R	5	Bracket, Track End 1 1/2" (Page# 236)

Part No.	Item No	Description
HH2-0053N	6	Bracket, Track Top 1 1/2" (Page# 235)
HH2-0054N	7	Angle, Track Bottom 1 1/2" (Page# 235)
OP25-0002N	8	Bracket, 2SP/CP & 2/SP 24"-29" D.O. Drive Arm Support (Page# 99-Operator Section)
CDH4-0153N	9	Header, A-Hanger 2SP/CP 32"-73" D.O. Car (Page# 214)
CDH4-XXXXX	10	Track, 2SP/CP Slow Car Door (Page# 230)
CDH4-XXXXX	11	Track, 2SP/CP Fast Car Door (Page# 230)

Mounting hardware included with this hanger assembly (Page# 242-244)

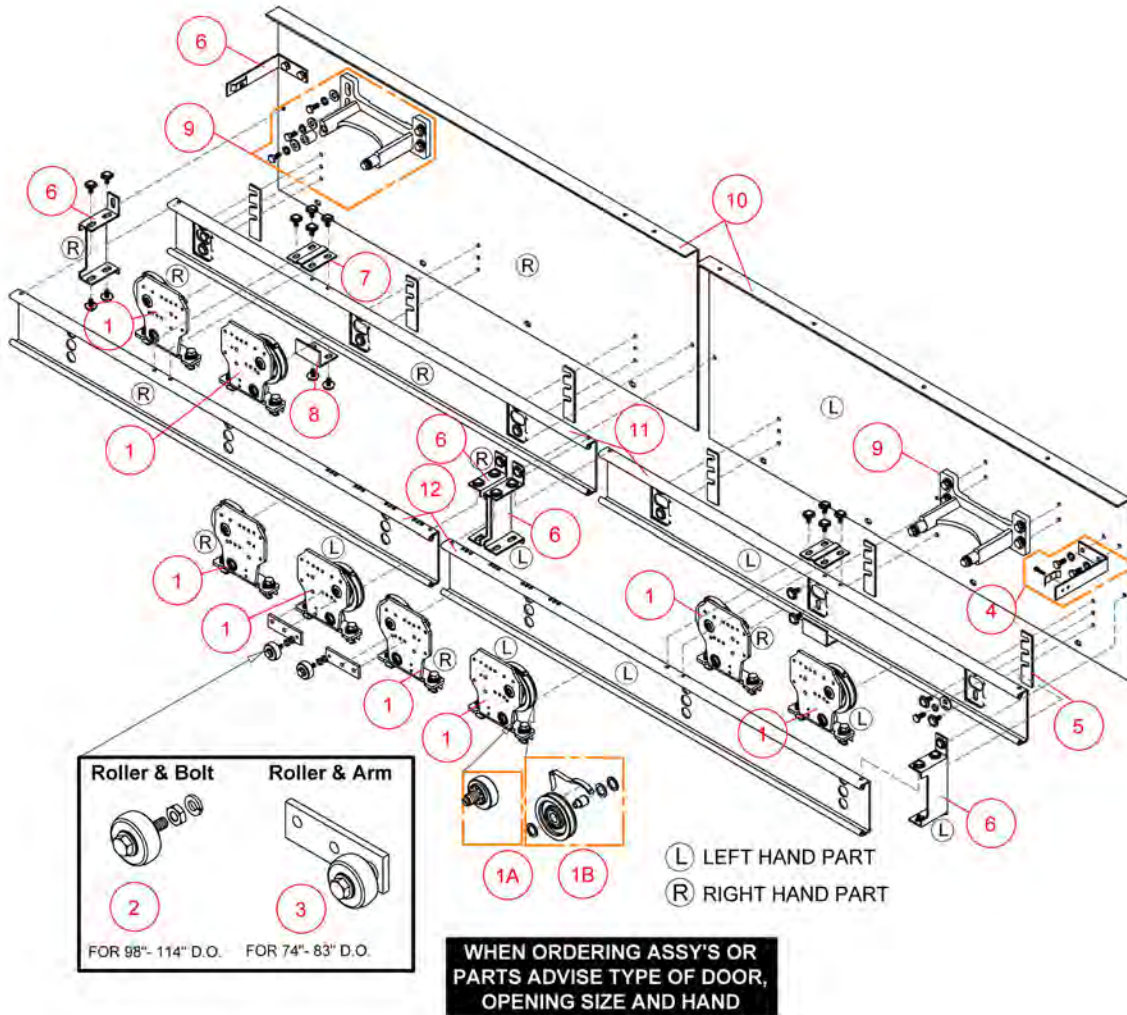
DOOR EQUIPMENT

Car Door Hanger Isometric Drawing

Two Speed Center Parting (Ung geared, Split Track) - Type "A"

74"-83" & 98"-114" Door Opening

Car Door Hanger Assemblies



Part No.	Item No	Description
HH1-0022L/R	1	Sheave, 4-1/8 CL With 3/8-16 Bolts (Page# 221)
HH1-0024N	1A	Eccentric, "A" Sheave (Page# 225)
HH1-0025N	1B	Roller Kit, 3 1/4" Dia "A" (Page# 224)
SW1-0007N	2	Roller & Bolt, Gate Switch (Page# 417-Switch Section)
SW1-0006N	3	Roller & Arm, Gate Switch 2SP/CP (Page# 417-Switch Section)
CDH2-0083N	4	Clamp, 2/SP-2SP/CP Safety Edge Cable (Page# 226)
HH1-0032N	5	Spacer, 1/8" Track (Page# 237)

Part No.	Item No	Description
HH2-0052L/R	6	Bracket, Track End 1 1/2" (Page# 236)
HH2-0053N	7	Bracket, Track Top 1 1/2" (Page# 235)
HH2-0054N	8	Angle, Track Bottom 1 1/2" (Page# 235)
OP25-0002N	9	Bracket, 2SP/CP & 2/SP 24"-29" D.O. Drive Arm Support (Page# 99-Operator Section)
CDH2-XXXXX	10	Header, 2/SP Car Door (Call G.A.L.)
CDH2-XXXXX	11	Track, 2/SP Slow Car Door (Call G.A.L.)
CDH2-XXXXX	12	Track, 2/SP Fast Car Door (Call G.A.L.)

Mounting Hardware Included with This Hanger Assembly

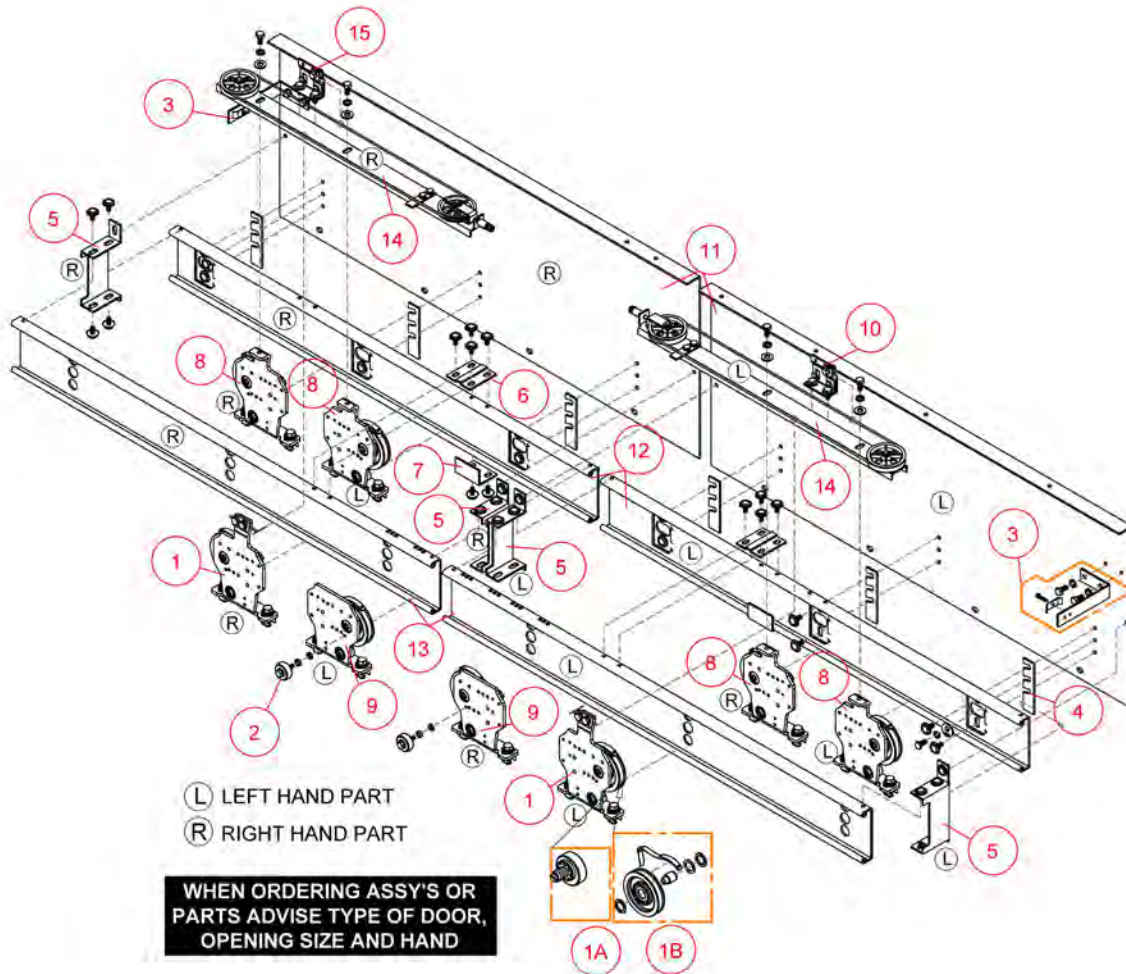
DOOR EQUIPMENT

Car Door Hanger Isometric Drawing

Two Speed Center Parting (Geared, Split Track) - Type "A"

84"-97" Door Opening

Car Door Hanger
Assemblies



Part No.	Item No	Description
CDH2-0065L/R	1	Sheave, 2/SP Cable Gear, Fast Door (Page# 221)
HH1-0024N	1A	Eccentric, "A" Sheave (Page# 225)
HH1-0025N	1B	Roller Kit, 3 1/4" Dia "A" (Page# 224)
SW1-0007N	2	Roller & Bolt, Gate Switch (Page# 417, Switch Section)
CDH2-0083N	3	Clamp, 2/SP-2SP/CP Safety Edge Cable (Page# 226)
HH1-0032N	4	Spacer, 1/8" Track (Page# 237)
HH2-0055L/R	5	Bracket, Track End 2" (Page# 236)
HH2-0053N	6	Bracket, Track Top 1 1/2" (Page# 235)

Part No.	Item No	Description
HH2-0054N	7	Angle, Track Bottom 1 1/2" (Page# 235)
CDH2-0067L/R	8	Sheave, 2/SP Cable Gear Bar, Slow Door (Page# 221)
HH1-0022L/R	9	Sheave, 4-1/8 CL With 3/8-16 Bolts (Page# 221)
CDH2-0082N	10	Clamp, 2SP Cable Anchor (Page# 213)
CDH2-XXXXX	11	Header, 2/SP Car Door (Call G.A.L)
CDH2-XXXXX	12	Track, 2/SP Slow Car Door (Call G.A.L)
CDH2-XXXXX	13	Track, 2/SP Fast Car Door (Call G.A.L)
CDH2-XXXXX	14	Bar Assembly, Cable Gearing (Page# 210)

Mounting Hardware Included with This Hanger Assembly

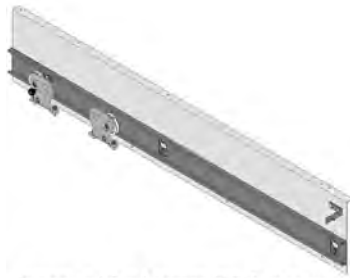
DOOR EQUIPMENT

Car Door Hanger Assemblies

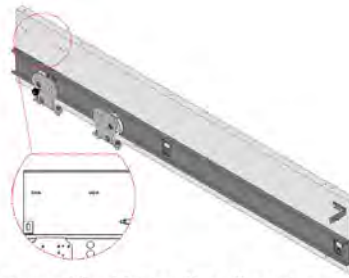
Single Speed - Conventional - Type "A"

Car Door Hanger Assemblies

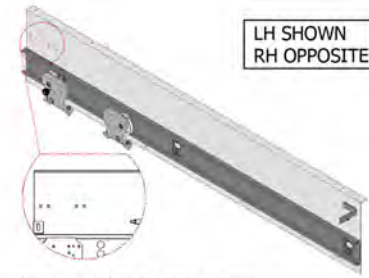
13" Header



Arranged for Master "L" Operator



Arranged for Master Shoe Operator



Arranged for Retiring Cam

LH SHOWN
RH OPPOSITE

Arranged For Master "L" Operator

Part No.	S/S	Track Length	List Price
CDH1-0001L/R	22"-24"	46"	\$173.00
CDH1-0002L/R	25"-27"	52"	\$173.00
CDH1-0003L/R	28"-30"	58"	\$173.00
CDH1-0004L/R	31"-33"	64"	\$173.00
CDH1-0005L/R	34"-36"	70"	\$173.00

Part No.	S/S	Track Length	List Price
CDH1-0006L/R	37"-39"	76"	\$173.00
CDH1-0007L/R	40"-42"	82"	\$173.00
CDH1-0008L/R*	43"-44"	88"	\$302.00
CDH1-0010L/R*	45"	88"	\$302.00
CDH1-0009L/R*	46"-48"	94"	\$302.00

Arranged For Master Shoe Operator

Part No.	S/S	Track Length	List Price
CDH25-0001L/R*	25"-27"	52"	\$210.00
CDH25-0002L/R*	28"-30"	58"	\$210.00
CDH25-0003L/R*	31"-33"	64"	\$210.00

Part No.	S/S	Track Length	List Price
CDH25-0004L/R*	34"-36"	70"	\$210.00
CDH25-0005L/R*	37"-39"	76"	\$210.00
CDH25-0006L/R*	40"-42"	82"	\$210.00

Arranged For Retiring Cam - "L" and Shoe Operator

Part No.	S/S	Track Length	List Price
CDH15-0001L/R*	22"-24"	46"	\$210.00
CDH15-0002L/R*	25"-27"	52"	\$210.00
CDH15-0003L/R*	28"-30"	58"	\$210.00
CDH15-0004L/R*	31"-33"	64"	\$210.00
CDH15-0005L/R*	34"-36"	70"	\$210.00

Part No.	S/S	Track Length	List Price
CDH15-0006L/R*	37"-39"	76"	\$210.00
CDH15-0007L/R*	40"-42"	82"	\$210.00
CDH15-0008L/R*	43"-45"	88"	\$339.00
CDH15-0009L/R*	46"-48"	94"	\$339.00

Hi-Cab Kit

17" Header Height



21" & Up Header Height



Part No.	Header Height	Plate "P" DIM	List Price
CDH1-0104N	17"	-	\$124.00
CDH1-0105N	21"	6 1/2"	\$185.00
CDH1-0106N	25"	10 1/2"	\$185.00
CDH1-0107N	29"	14 1/2"	\$185.00
CDH1-0108N	33"	18 1/2"	\$185.00
CDH1-0109N	37"	22 1/2"	\$185.00
CDH1-0110N	41"	26 1/2"	\$247.00

DOOR EQUIPMENT

Car Door Hanger Assemblies

Single Speed - Conventional - Type "A"

Car Door Hanger Assemblies

Less Header

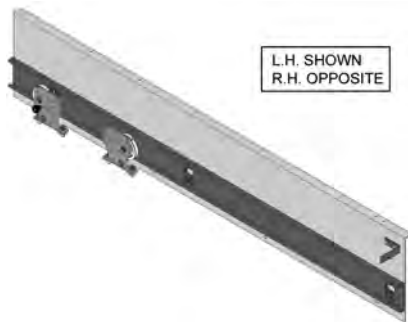


Part No.	S/S	Track Length	List Price
CDH1-0120N	22"-24"	46"	\$94.00
CDH1-0121N	25"-27"	52"	\$94.00
CDH1-0122N	28"-30"	58"	\$94.00
CDH1-0123N	31"-33"	64"	\$94.00
CDH1-0124N	34"-36"	70"	\$94.00
CDH1-0125N	37"-39"	76"	\$94.00
CDH1-0126N	40"-42"	82"	\$94.00
CDH1-0127N*	43"-45"	88"	\$150.00
CDH1-0128N*	46"-48"	94"	\$150.00

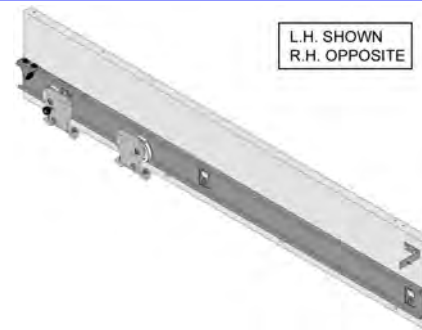
Single Speed - Vandal Resistant - Type "HA"

13" Header

Without Bumper



With Front Bumper



Part No.	S/S	Track Length	List Price
CDH13-0001L/R*	24"	48"	\$207.00
CDH13-0002L/R*	25"	52"	\$207.00
CDH13-0003L/R*	26"	52"	\$207.00
CDH13-0004L/R*	27"	54"	\$207.00
CDH13-0005L/R*	28"	58"	\$207.00
CDH13-0006L/R*	29"	58"	\$207.00
CDH13-0007L/R*	30"	60"	\$207.00
CDH13-0008L/R*	31"	64"	\$207.00
CDH13-0009L/R*	32"	64"	\$207.00
CDH13-0010L/R*	33"	66"	\$207.00
CDH13-0011L/R*	34"	70"	\$207.00
CDH13-0012L/R*	35"	70"	\$207.00
CDH13-0013L/R*	36"	70"	\$207.00
CDH13-0014L/R*	37"	72"	\$207.00
CDH13-0015L/R*	38"	76"	\$207.00
CDH13-0016L/R*	39"	76"	\$207.00
CDH13-0017L/R*	40"	82"	\$207.00
CDH13-0018L/R*	41"	82"	\$207.00
CDH13-0019L/R*	42"	82"	\$207.00

Part No.	S/S	Track Length	List Price
CDH13-0096L/R*	24"	48"	\$230.00
CDH13-0097L/R*	25"	52"	\$230.00
CDH13-0098L/R*	26"	52"	\$230.00
CDH13-0099L/R*	27"	54"	\$230.00
CDH13-0100L/R*	28"	58"	\$230.00
CDH13-0101L/R*	29"	58"	\$230.00
CDH13-0102L/R*	30"	60"	\$230.00
CDH13-0103L/R*	31"	64"	\$230.00
CDH13-0104L/R*	32"	64"	\$230.00
CDH13-0105L/R*	33"	66"	\$230.00
CDH13-0106L/R*	34"	70"	\$230.00
CDH13-0107L/R*	35"	70"	\$230.00
CDH13-0108L/R*	36"	70"	\$230.00
CDH13-0109L/R*	37"	72"	\$230.00
CDH13-0110L/R*	38"	76"	\$230.00
CDH13-0111L/R*	39"	76"	\$230.00
CDH13-0112L/R*	40"	82"	\$230.00
CDH13-0113L/R*	41"	82"	\$230.00
CDH13-0114L/R*	42"	82"	\$230.00

(*) Special Engineering Required

DOOR EQUIPMENT

Car Door Hanger Assemblies

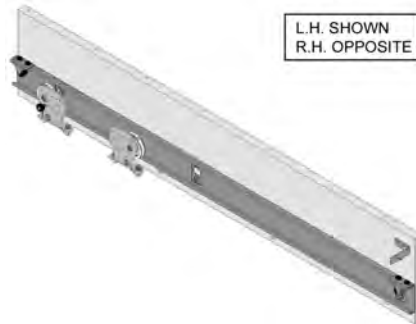
Single Speed - Vandal Resistant - Type "NYC HA"

Note: All NYC HA hangers come with top safety retainers

Car Door Hanger Assemblies

13" Header

With Front & Rear Bumpers



With Front & Rear Bumpers (Arranged for Retiring Cam)

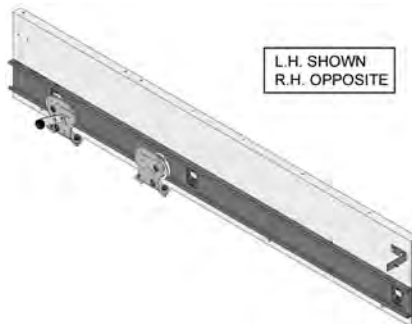


Part No.	S/S	Track Length	List Price
CDH13-0039L/R*	24"	48"	\$265.00
CDH13-0040L/R*	25"	52"	\$265.00
CDH13-0041L/R*	26"	52"	\$265.00
CDH13-0042L/R*	27"	54"	\$265.00
CDH13-0043L/R*	28"	58"	\$265.00
CDH13-0044L/R*	29"	58"	\$265.00
CDH13-0045L/R*	30"	60"	\$265.00
CDH13-0046L/R*	31"	64"	\$265.00
CDH13-0047L/R*	32"	64"	\$265.00
CDH13-0048L/R*	33"	66"	\$265.00
CDH13-0049L/R*	34"	70"	\$265.00
CDH13-0050L/R*	35"	70"	\$265.00
CDH13-0051L/R*	36"	70"	\$265.00
CDH13-0052L/R*	37"	72"	\$265.00
CDH13-0053L/R*	38"	76"	\$265.00
CDH13-0054L/R*	39"	76"	\$265.00
CDH13-0055L/R*	40"	82"	\$265.00
CDH13-0056L/R*	41"	82"	\$265.00
CDH13-0057L/R*	42"	82"	\$265.00

Part No.	S/S	Track Length	List Price
CDH13-0152L/R*	30"	60"	\$302.00
CDH13-0153L/R*	31"	64"	\$302.00
CDH13-0154L/R*	32"	64"	\$302.00
CDH13-0155L/R*	33"	66"	\$302.00
CDH13-0156L/R*	34"	70"	\$302.00
CDH13-0157L/R*	35"	70"	\$302.00
CDH13-0158L/R*	36"	70"	\$302.00
CDH13-0159L/R*	37"	72"	\$302.00
CDH13-0160L/R*	38"	76"	\$302.00
CDH13-0161L/R*	39"	76"	\$302.00
CDH13-0162L/R*	40"	82"	\$302.00
CDH13-0163L/R*	41"	82"	\$302.00
CDH13-0164L/R*	42"	82"	\$302.00

Single Speed - Dust/Explosion Resistant - Type "AX"

13" Header



Part No.	S/S	Track Length	List Price
CDH1-0136L/R*	28"-30"	58"	\$247.00
CDH1-0137L/R*	31"-33"	64"	\$247.00
CDH1-0138L/R*	34"-36"	70"	\$247.00
CDH1-0139L/R*	37"-39"	76"	\$247.00
CDH1-0140L/R*	40"-42"	82"	\$247.00
CDH1-0141L/R*	43"-44"	88"	\$376.00
CDH1-0142L/R*	45"	88"	\$376.00
CDH1-0143L/R*	46"-48"	94"	\$376.00

DOOR EQUIPMENT

Car Door Hanger Assemblies

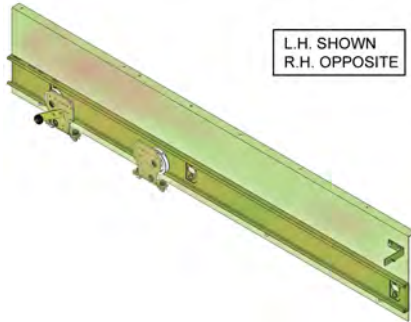
Single Speed - Water Resistant - Type "AW"

Note: All ferrous material are yellow zinc dichromate plated

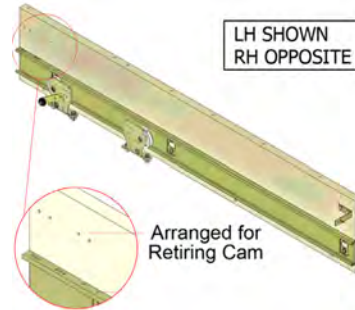
Car Door Hanger Assemblies

13" Header

Arranged For Master "L" Operator



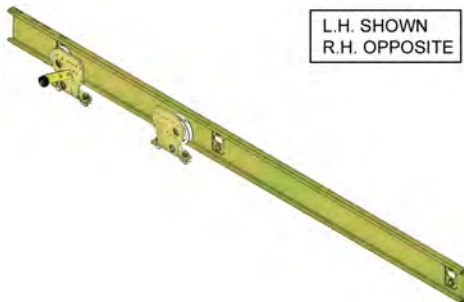
Arranged for Retiring Cam



Part No.	S/S	Track Length	List Price
CDH19-0001L/R*	22"-24"	46"	\$345.00
CDH19-0002L/R*	25"-27"	52"	\$345.00
CDH19-0003L/R*	28"-30"	58"	\$345.00
CDH19-0004L/R*	31"-33"	64"	\$345.00
CDH19-0005L/R*	34"-36"	70"	\$345.00
CDH19-0006L/R*	37"-39"	76"	\$345.00
CDH19-0007L/R*	40"-42"	82"	\$345.00
CDH19-0008L/R*	43"-44"	88"	\$604.00
CDH19-0009L/R*	45"	88"	\$604.00
CDH19-0010L/R*	46"-48"	94"	\$604.00

Part No.	S/S	Track Length	List Price
CDH24-0001L/R*	22"-24"	46"	\$419.00
CDH24-0002L/R*	25"-27"	52"	\$419.00
CDH24-0003L/R*	28"-30"	58"	\$419.00
CDH24-0004L/R*	31"-33"	64"	\$419.00
CDH24-0005L/R*	34"-36"	70"	\$419.00
CDH24-0006L/R*	37"-39"	76"	\$419.00
CDH24-0007L/R*	40"-42"	82"	\$419.00
CDH24-0008L/R*	43"-44"	88"	\$678.00
CDH24-0009L/R*	45"	88"	\$678.00
CDH24-0010L/R*	46"-48"	94"	\$678.00

Less Header



Note: Advise Opening Size and Hand

Part No.	S/S	List Price
CDH19-0034L/R*	22"-42"	\$231.00

DOOR EQUIPMENT

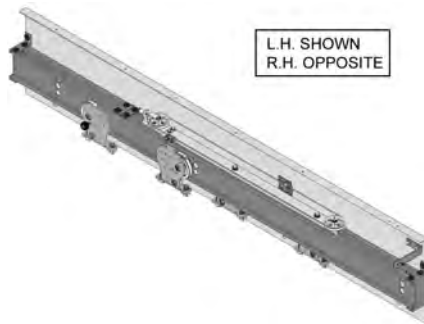
Car Door Hanger Assemblies

Two Speed - Conventional - Type "A"

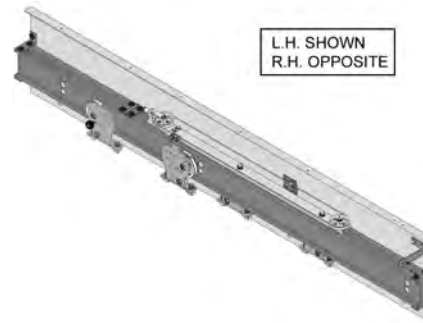
Car Door Hanger Assemblies

13" Header (Geared)

Arranged For Master "L" Operator



Arranged For Master Shoe Operator



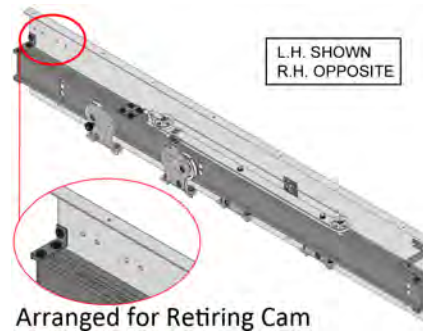
Part No.	2/SP	Track Length	List Price
CDH2-0001L/R	30"	46"	\$315.00
CDH2-0002L/R	31"-32"	48"	\$315.00
CDH2-0003L/R	33"-34"	52"	
CDH2-0004L/R	35"-36"	54"	\$315.00
CDH2-0005L/R	37"-38"	58"	\$315.00
CDH2-0006L/R	39"-40"	60"	\$315.00
CDH2-0007L/R	41"-42"	64"	\$315.00
CDH2-0008L/R	43"-44"	66"	\$315.00
CDH2-0009L/R	45"-46"	70"	\$315.00
CDH2-0010L/R	47"-48"	72"	\$315.00

Part No.	2/SP	List Price
CDH26-0001L/R*	30"-32"	\$352.00
CDH26-0002L/R*	33"-36"	\$352.00
CDH26-0003L/R*	37"-40"	\$352.00
CDH26-0004L/R*	41"-44"	\$352.00
CDH26-0005L/R*	45"-48"	\$352.00

Arranged For Retiring Cam - Shoe Type Operator



Arranged For Retiring Cam - "L" Operator



Arranged for Retiring Cam

Arranged for Retiring Cam

Part No.	2/SP	Track Length	List Price
CDH16-0001L/R*	30"	46"	\$352.00
CDH16-0002L/R*	31"-32"	48"	\$352.00
CDH16-0003L/R*	33"-34"	52"	\$352.00
CDH16-0004L/R*	35"-36"	54"	\$352.00
CDH16-0005L/R*	37"-38"	58"	\$352.00
CDH16-0006L/R*	39"-40"	60"	\$352.00
CDH16-0007L/R*	41"-42"	64"	\$352.00
CDH16-0008L/R*	43"-44"	66"	\$352.00
CDH16-0009L/R*	45"-46"	70"	\$352.00
CDH16-0010L/R*	47"-48"	72"	\$352.00

Part No.	2/SP	Track Length	List Price
CDH16-0011L/R*	30"	46"	\$352.00
CDH16-0012L/R*	31"-32"	48"	\$352.00
CDH16-0013L/R*	33"-34"	52"	\$352.00
CDH16-0014L/R*	35"-36"	54"	\$352.00
CDH16-0015L/R*	37"-38"	58"	\$352.00
CDH16-0016L/R*	39"-40"	60"	\$352.00
CDH16-0017L/R*	41"-42"	64"	\$352.00
CDH16-0018L/R*	43"-44"	66"	\$352.00
CDH16-0019L/R*	45"-46"	70"	\$352.00
CDH16-0020L/R*	47"-48"	72"	\$352.00

DOOR EQUIPMENT

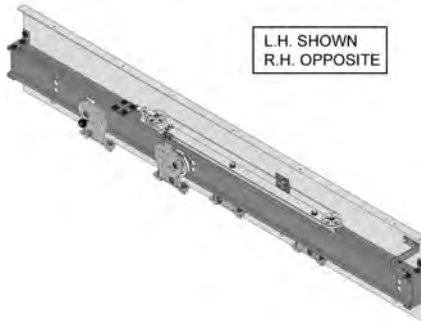
Car Door Hanger Assemblies

Two Speed - Conventional - Type "A"

Car Door Hanger
Assemblies

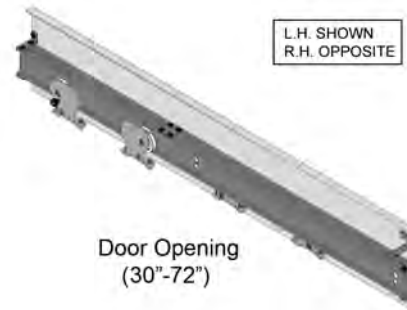
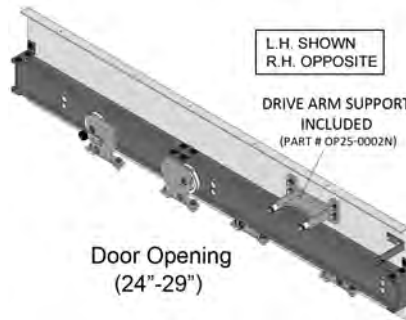
13" Header (Geared)

Arranged For CWZ-2 Clutch



Part No.	2/SP	Track Length	List Price
CDH29-0001L/R*	30"	46"	\$455.00
CDH29-0002L/R*	31"-32"	48"	\$455.00
CDH29-0003L/R*	33"-34"	52"	\$455.00
CDH29-0004L/R*	35"-36"	54"	\$455.00
CDH29-0005L/R*	37"-38"	58"	\$455.00
CDH29-0006L/R*	39"-40"	60"	\$455.00
CDH29-0007L/R*	41"-42"	64"	\$455.00
CDH29-0008L/R*	43"-44"	66"	\$455.00
CDH29-0009L/R*	45"-46"	70"	\$455.00
CDH29-0010L/R*	47"-48"	72"	\$455.00

13", 15", 17", & 19" Header (Ungeared)



13" Header (Ungeared)

Part No.	2/SP	Track Length	List Price
CDH2-0017L/R*	24"	40"	\$407.00
CDH2-0018L/R*	25"	41"	\$407.00
CDH2-0019L/R*	26"	42"	\$407.00
CDH2-0020L/R*	27"	44"	\$407.00
CDH2-0021L/R*	28"	45"	\$407.00
CDH2-0022L/R*	29"	46"	\$407.00
CDH2-0123L/R*	30"	46"	\$265.00
CDH2-0124L/R*	31"-32"	48"	\$265.00

Part No.	2/SP	Track Length	List Price
CDH2-0125L/R*	33"-34"	52"	\$265.00
CDH2-0126L/R*	35"-36"	54"	\$265.00
CDH2-0127L/R*	37"-38"	58"	\$265.00
CDH2-0128L/R*	39"-40"	60"	\$265.00
CDH2-0129L/R*	41"-42"	64"	\$265.00
CDH2-0130L/R*	43"-44"	66"	\$265.00
CDH2-0131L/R*	45"-46"	70"	\$265.00
CDH2-0132L/R*	47"-48"	72"	\$265.00

15", 17", & 19" Header (Ungeared)

Part No.	2/SP	Header Height	Track Length	List Price
CDH2-0011L/R	49"-52"	15"	76"	\$444.00
CDH2-0012L/R	53"-56"	15"	82"	\$444.00
CDH2-0013L/R	57"-60"	17"	88"	\$444.00

Part No.	2/SP	Header Height	Track Length	List Price
CDH2-0014L/R	61"-64"	17"	94"	\$444.00
CDH2-0015L/R	65"-68"	19"	100"	\$573.00
CDH2-0016L/R	69"-72"	19"	106"	\$573.00

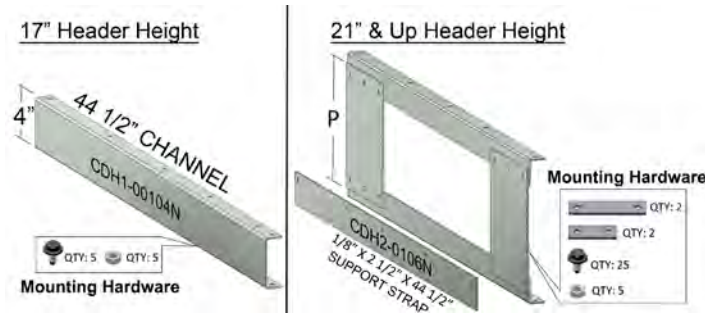
DOOR EQUIPMENT

Car Door Hanger Assemblies

Two Speed - Conventional - Type "A"

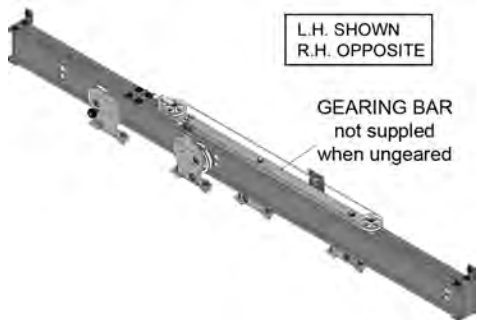
Car Door Hanger Assemblies

Hi-Cab Kit



Part No.	Header Height	Plate "P" DIM	List Price
CDH1-0104N	17"	-	\$124.00
CDH2-0100N	21"	6 1/2"	\$201.00
CDH2-0101N	25"	10 1/2"	\$201.00
CDH2-0102N	29"	14 1/2"	\$201.00
CDH2-0103N	33"	18 1/2"	\$201.00
CDH2-0104N	37"	22 1/2"	\$201.00
CDH2-0105N	41"	26 1/2"	\$262.00

Less Header (Geared)



Part No.	2/SP	Track Length	List Price
CDH2-0023L/R	30"	46"	\$253.00
CDH2-0024L/R	31"-32"	48"	\$253.00
CDH2-0025L/R	33"-34"	52"	\$253.00
CDH2-0026L/R	35"-36"	54"	\$253.00
CDH2-0027L/R	37"-38"	58"	\$253.00
CDH2-0028L/R	39"-40"	60"	\$253.00
CDH2-0029L/R	41"-42"	64"	\$253.00
CDH2-0030L/R	43"-44"	66"	\$253.00
CDH2-0031L/R	45"-46"	70"	\$253.00
CDH2-0032L/R	47"-48"	72"	\$253.00

Less Header (Ungeared)

Small Openings

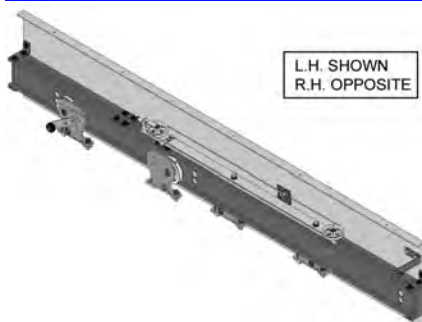
Part No.	2/SP	Track Length	List Price
CDH2-0090L/R*	24"	40"	\$345.00
CDH2-0091L/R*	25"	41"	\$345.00
CDH2-0092L/R*	26"	42"	\$345.00
CDH2-0093L/R*	27"	44"	\$345.00
CDH2-0108L/R*	28"	45"	\$345.00
CDH2-0109L/R*	29"	46"	\$345.00

Large Openings

Part No.	2/SP	Track Length	List Price
CDH2-0084L/R	49"-52"	76"	\$352.00
CDH2-0085L/R	53"-56"	82"	\$352.00
CDH2-0086L/R	57"-60"	88"	\$352.00
CDH2-0087L/R	61"-64"	94"	\$352.00
CDH2-0088L/R	65"-68"	100"	\$450.00
CDH2-0089L/R	69"-72"	106"	\$450.00

Two Speed - Dust/Explosion Resistant - Type "AX"

13" Header (Geared)



Part No.	2/SP	Track Length	List Price
CDH2-0140L/R*	30"	46"	\$389.00
CDH2-0141L/R*	31"-32"	48"	\$389.00
CDH2-0142L/R*	33"-34"	52"	\$389.00
CDH2-0143L/R*	35"-36"	54"	\$389.00
CDH2-0144L/R*	37"-38"	58"	\$389.00
CDH2-0145L/R*	39"-40"	60"	\$389.00
CDH2-0146L/R*	41"-42"	64"	\$389.00
CDH2-0147L/R*	43"-44"	66"	\$389.00
CDH2-0148L/R*	45"-46"	70"	\$389.00
CDH2-0149L/R*	47"-48"	72"	\$389.00

DOOR EQUIPMENT

Car Door Hanger Assemblies

Two Speed - Dust/Explosion Resistant - Type "AX"

Car Door Hanger Assemblies

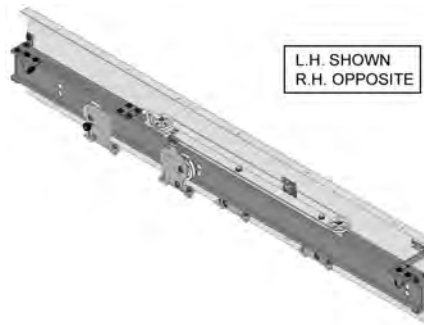
13" Header (Ung geared)



Part No.	2/SP	Track Length	List Price
CDH2-0152L/R*	24"	40"	\$481.00
CDH2-0153L/R*	25"	41"	\$481.00
CDH2-0154L/R*	26"	42"	\$481.00
CDH2-0155L/R*	27"	44"	\$481.00
CDH2-0156L/R*	28"	45"	\$481.00
CDH2-0157L/R*	29"	46"	\$481.00

Two Speed - Vandal Resistant - Type "HA"

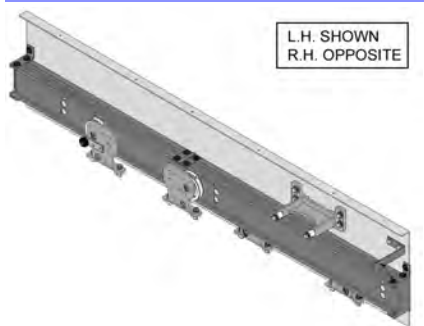
13" Header (Geared)



Part No.	2/SP	Track Length	List Price
CDH14-0025L/R*	30"	46"	\$355.00
CDH14-0026L/R*	31"-32"	48"	\$355.00
CDH14-0027L/R*	33"-34"	52"	\$355.00
CDH14-0028L/R*	35"-36"	54"	\$355.00
CDH14-0029L/R*	37"-38"	58"	\$355.00
CDH14-0030L/R*	39"	60"	\$355.00
CDH14-0031L/R*	40"	60"	\$355.00
CDH14-0032L/R*	41"-42"	62"	\$355.00
CDH14-0033L/R*	43"-44"	66"	\$355.00
CDH14-0034L/R*	45"-46"	70"	\$355.00
CDH14-0035L/R*	47"-48"	72"	\$355.00

13" Header (Ung geared)

Without Bumper



Part No.	2/SP	Track Length	List Price
CDH14-0001L/R*	24"	40"	\$447.00
CDH14-0002L/R*	25"	41"	\$447.00
CDH14-0003L/R*	26"	42"	\$447.00
CDH14-0004L/R*	27"	44"	\$447.00
CDH14-0005L/R*	28"	45"	\$447.00
CDH14-0006L/R*	29"	46"	\$447.00

DOOR EQUIPMENT

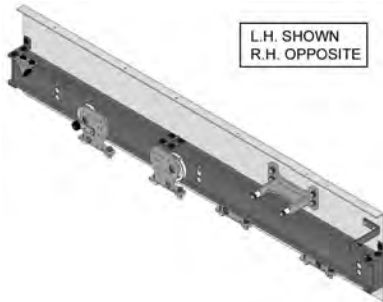
Car Door Hanger Assemblies

Two Speed - Vandal Resistant - Type "HA"

Car Door Hanger Assemblies

13" Header (Ungeared)

With Front Bumper

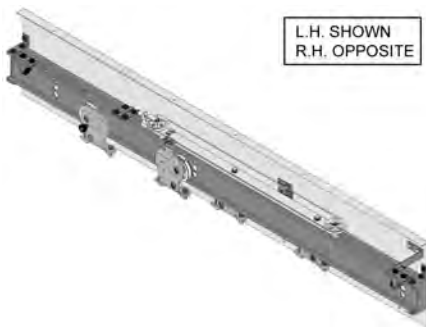


Part No.	2/SP	Track Length	List Price
CDH14-0013L/R*	24"	42"	\$470.00
CDH14-0014L/R*	25"	43"	\$470.00
CDH14-0015L/R*	26"	44"	\$470.00
CDH14-0016L/R*	27"	46"	\$470.00
CDH14-0017L/R*	28"	47"	\$470.00
CDH14-0018L/R*	29"	48"	\$470.00
CDH14-0047L/R*	30"	50"	\$378.00
CDH14-0048L/R*	31"-32"	52"	\$378.00
CDH14-0049L/R*	33"-34"	56"	\$378.00
CDH14-0050L/R*	35"-36"	58"	\$378.00
CDH14-0051L/R*	37"-38"	62"	\$378.00
CDH14-0052L/R*	39"	64"	\$378.00
CDH14-0053L/R*	40"	64"	\$378.00
CDH14-0054L/R*	41"-42"	68"	\$378.00
CDH14-0055L/R*	43"-44"	70"	\$378.00
CDH14-0056L/R*	45"-46"	74"	\$378.00
CDH14-0057L/R*	47"-48"	76"	\$378.00

Two Speed - Vandal Resistant - Type "NYC HA"

13" Header (Geared)

With Front & Rear Bumpers



Note: All NYC HA hangers come with top safety retainers

Part No.	2/SP	Track Length	List Price
CDH14-0069L/R*	30"	50"	\$426.00
CDH14-0070L/R*	31"	52"	\$426.00
CDH14-0071L/R*	32"	52"	\$426.00
CDH14-0072L/R*	33"	56"	\$426.00
CDH14-0073L/R*	34"	56"	\$426.00
CDH14-0074L/R*	35"	58"	\$426.00
CDH14-0075L/R*	36"	58"	\$426.00
CDH14-0076L/R*	37"	62"	\$426.00
CDH14-0077L/R*	38"	62"	\$426.00
CDH14-0078L/R*	39"	64"	\$426.00
CDH14-0079L/R*	40"	64"	\$426.00
CDH14-0080L/R*	41"	68"	\$426.00
CDH14-0081L/R*	42"	68"	\$426.00
CDH14-0082L/R*	43"	70"	\$426.00
CDH14-0083L/R*	44"	70"	\$426.00
CDH14-0084L/R*	45"	74"	\$426.00
CDH14-0085L/R*	46"	74"	\$426.00
CDH14-0086L/R*	47"	76"	\$426.00
CDH14-0087L/R*	48"	76"	\$426.00

DOOR EQUIPMENT

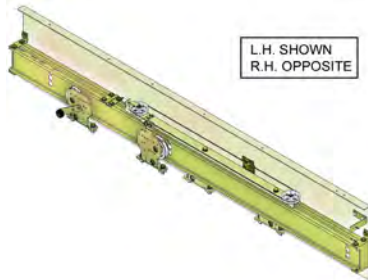
Car Door Hanger Assemblies

Two Speed - Water Resistant - Type "AW"

Note: All ferrous material are yellow zinc dichromate plated

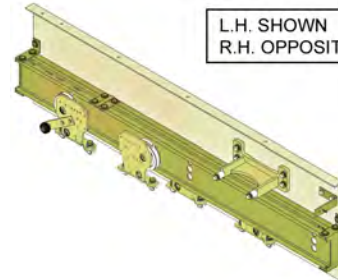
Car Door Hanger Assemblies

13" Header (Geared)



L.H. SHOWN
R.H. OPPOSITE

13" Header (Ung geared)

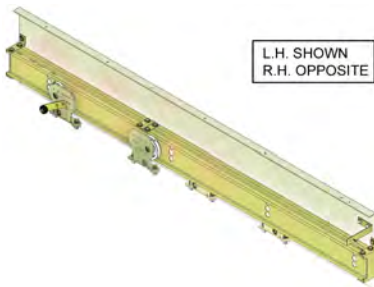


L.H. SHOWN
R.H. OPPOSITE

Part No.	2/SP	Track Length	List Price
CDH20-0001L/R*	30"	46"	\$629.00
CDH20-0002L/R*	31"-32"	48"	\$629.00
CDH20-0003L/R*	33"-34"	52"	\$629.00
CDH20-0004L/R*	35"-36"	54"	\$629.00
CDH20-0005L/R*	37"-38"	58"	\$629.00
CDH20-0006L/R*	39"-40"	60"	\$629.00
CDH20-0007L/R*	41"-42"	64"	\$629.00
CDH20-0008L/R*	43"-44"	66"	\$629.00
CDH20-0009L/R*	45"-46"	70"	\$629.00
CDH20-0010L/R*	47"-48"	72"	\$629.00

Part No.	2/SP	Track Length	List Price
CDH20-0017L/R*	24"	40"	\$814.00
CDH20-0018L/R*	25"	41"	\$814.00
CDH20-0019L/R*	26"	42"	\$814.00
CDH20-0020L/R*	27"	44"	\$814.00
CDH20-0021L/R*	28"	45"	\$814.00
CDH20-0022L/R*	29"	46"	\$814.00

15", 17", 19" Header (Ung geared)

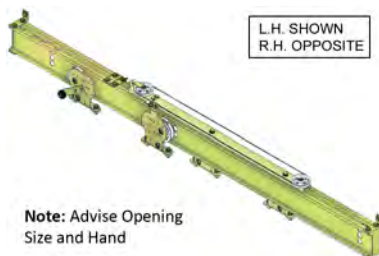


L.H. SHOWN
R.H. OPPOSITE

Part No.	2/SP	Header Height	Track Length	List Price
CDH20-0011L/R*	49"-52"	15"	76"	\$888.00
CDH20-0012L/R*	53"-56"	15"	82"	\$888.00
CDH20-0013L/R*	57"-60"	17"	88"	\$888.00
CDH20-0014L/R*	61"-64"	17"	94"	\$888.00
CDH20-0015L/R*	65"-68"	19"	100"	\$1,146.00
CDH20-0016L/R*	69"-72"	19"	106"	\$1,146.00

Note: All ferrous material are yellow zinc dichromate plated

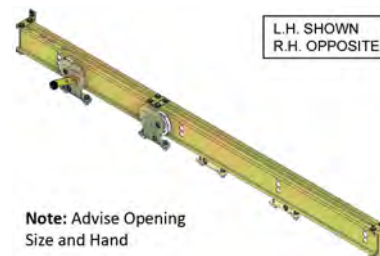
Less Header (Geared)



L.H. SHOWN
R.H. OPPOSITE

Note: Advise Opening Size and Hand

Less Header (Ung geared)



L.H. SHOWN
R.H. OPPOSITE

Note: Advise Opening Size and Hand

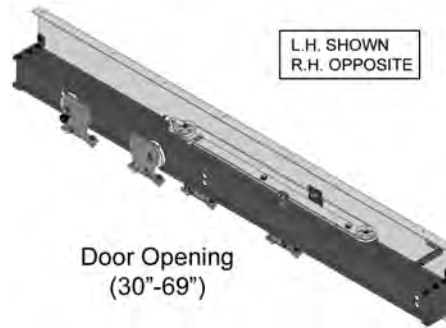
Part No.	2/SP	List Price
CDH20-0076L/R*	30"-48"	\$506.00

Part No.	2/SP	List Price
CDH20-0077L/R*	49"-64"	\$703.00
CDH20-0078L/R*	65"-72"	\$900.00

DOOR EQUIPMENT

Car Door Hanger Assemblies

Three Speed - Conventional - Type "A"



Car Door Hanger Assemblies

13" Header (Geared)

Part No.	3/SP	Track Length	List Price
CDH9-0001L/R*	30"	45"	\$616.00
CDH9-0002L/R*	31"	46"	\$616.00
CDH9-0003L/R*	32"	47"	\$616.00
CDH9-0004L/R*	33"	48"	\$616.00
CDH9-0005L/R*	34"	49"	\$616.00
CDH9-0006L/R*	35"	50"	\$616.00
CDH9-0007L/R*	36"	51"	\$616.00
CDH9-0008L/R*	37"	52"	\$616.00

Part No.	3/SP	Track Length	List Price
CDH9-0009L/R*	38"	53"	\$616.00
CDH9-0010L/R*	39"	54"	\$616.00
CDH9-0011L/R*	40"	55"	\$616.00
CDH9-0012L/R*	41"	58"	\$616.00
CDH9-0013L/R*	42"	59"	\$616.00
CDH9-0014L/R*	43"	60"	\$616.00
CDH9-0015L/R*	44"	61"	\$616.00

17" Header (Geared)

Part No.	3/SP	Track Length	List Price
CDH9-0016L/R*	45"	62"	\$616.00
CDH9-0017L/R*	46"	63"	\$616.00
CDH9-0018L/R*	47"	66"	\$616.00
CDH9-0019L/R*	48"	67"	\$616.00
CDH9-0020L/R*	49"	68"	\$894.00
CDH9-0021L/R*	50"	69"	\$894.00
CDH9-0022L/R*	51"	70"	\$894.00
CDH9-0023L/R*	52"	71"	\$894.00
CDH9-0024L/R*	53"	74"	\$894.00
CDH9-0025L/R*	54"	75"	\$894.00
CDH9-0026L/R*	55"	76"	\$894.00
CDH9-0027L/R*	56"	77"	\$894.00
CDH9-0028L/R*	57"	78"	\$894.00

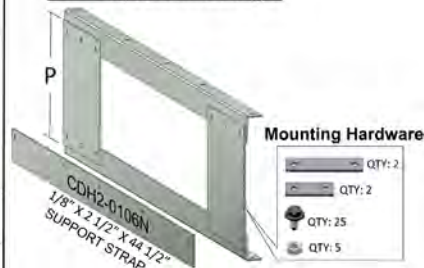
Part No.	3/SP	Track Length	List Price
CDH9-0029L/R*	58"	79"	\$894.00
CDH9-0030L/R*	59"	82"	\$894.00
CDH9-0031L/R*	60"	83"	\$1,078.00
CDH9-0032L/R*	61"	84"	\$1,078.00
CDH9-0033L/R*	62"	85"	\$1,078.00
CDH9-0034L/R*	63"	86"	\$1,078.00
CDH9-0035L/R*	64"	87"	\$1,078.00
CDH9-0036L/R*	65"	90"	\$1,078.00
CDH9-0037L/R*	66"	91"	\$1,078.00
CDH9-0038L/R*	67"	92"	\$1,078.00
CDH9-0039L/R*	68"	93"	\$1,078.00
CDH9-0040L/R*	69"	94"	\$1,078.00

Hi-Cab Kit

17" Header Height



21" & Up Header Height



Contact G.A.L. For Special Order

Part No.	3/SP	Header Height	List Price
CDH1-0104N	30"-96"	17"	\$124.00
CDH9-0124N*	30"-96"	19" & UP	\$308.00

DOOR EQUIPMENT

Car Door Hanger Assemblies

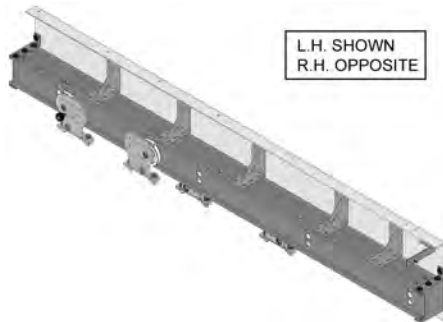
Three Speed - Conventional - Type "A"

Car Door Hanger Assemblies

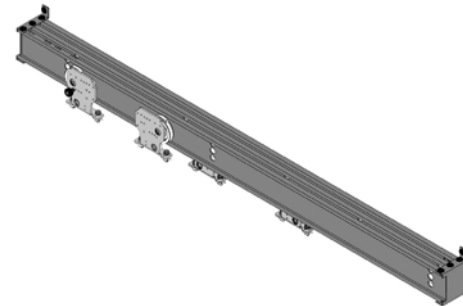
Ung geared

Heavy Doors or Large Opening 70" & Above

Less Header



L.H. SHOWN
R.H. OPPOSITE



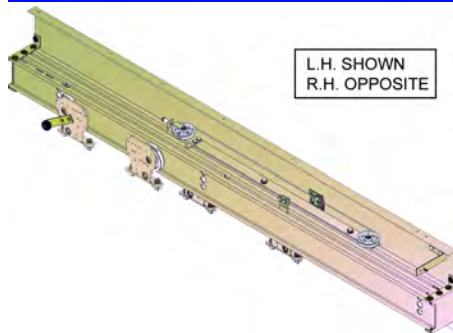
Note: For three speed ungeared heavy doors or large 70" & above openings, contact G.A.L Sales or Engineering for assistance. Advise opening size, hand, cab height, and type of operator arm arrangement.

Note: Advise Opening Size and Hand

Part No.	3/SP	List Price
CDH9-0130L/R*	30"-48"	\$539.00
CDH9-0131L/R*	49"-59"	\$817.00
CDH9-0132L/R*	60"-69"	\$1,001.00

Three Speed - Water Resistant - Type "AW"

Geared



L.H. SHOWN
R.H. OPPOSITE

Note:

- A) All ferrous material yellow zinc dichromate plated
- B) Contact G.A.L Sales or Engineering Department for three speed geared hangers.

Center Parting - Conventional - Type "A"

15", 17" Header (Ung geared)



Note: Contact G.A.L Engineering Department for 15" header ungeared 33" D.O. hanger assembly.

Part No.	C/P	Header Height	Track Length	List Price
CDH3-0001N	30"-32"	15"	64"	\$324.00
CDH3-0002N	34"-35"	15"	70"	\$324.00
CDH3-0003N	36"-38"	15"	76"	\$324.00
CDH3-0004N	39"-41"	15"	82"	\$324.00
CDH3-0005N	42"-44"	15"	88"	\$324.00
CDH3-0006N	45"-47"	15"	94"	\$324.00
CDH3-0007N	48"-49"	15"	100"	\$324.00
CDH3-0009N*	50"	17"	100"	\$324.00
CDH3-0008N*	51"-54"	17"	106"	\$453.00
CDH3-0020N*	55"-56"	17"	106"	\$453.00
CDH3-0021N*	57"-59"	17"	112"	\$453.00

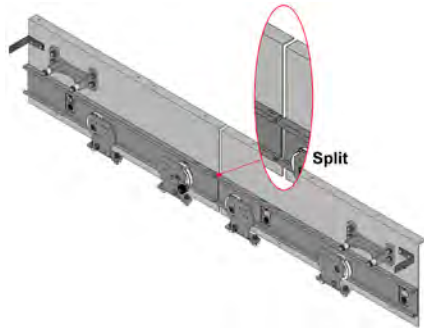
(*) Special Engineering Required

DOOR EQUIPMENT

Car Door Hanger Assemblies

Center Parting - Conventional - Type "A"

17", 19" Header (Ungeared) - Split Hangers



Part No.	C/P	Header Height	Track Length	List Price
CDH3-0242N*	60"-62"	17"	117"	\$583.00
CDH3-0243N*	63"-64"	17"	129"	\$583.00
CDH3-0244N*	65"-68"	19"	129"	\$583.00
CDH3-0245N*	69"-74"	19"	141"	\$712.00
CDH3-0246N*	75"-80"	19"	153"	\$712.00
CDH3-0247N*	81"-83"	19"	165"	\$712.00

15" Header (Ungeared) - Arranged for High Cab



Note:

- A) Drive arm supports are included with hanger but may or may not be mounted to header.
- B) High-Cab Kit not included. Refer to Hi-Cab Kit for appropriate part # and price.

Part No.	C/P	Hi-Cab Header	Track Length	List Price
CDH3-0153N*	30"-32"	19"	64"	\$324.00
CDH3-0154N*	33"	19"	70"	\$324.00
CDH3-0155N*	34"-35"	19"	70"	\$324.00
CDH3-0156N*	36"-38"	19"	76"	\$324.00
CDH3-0157N*	39"	19"	82"	\$324.00
CDH3-0158N*	40"-41"	19"	82"	\$324.00
CDH3-0159N*	42"-44"	19"	88"	\$324.00
CDH3-0160N*	45"-47"	19"	94"	\$324.00
CDH3-0161N*	48"-49"	19"	100"	\$324.00
CDH3-0162N*	50"	19"	100"	\$324.00
CDH3-0163N*	51"-54"	19"	106"	\$453.00
CDH3-0164N*	30"-32"	23"	64"	\$324.00
CDH3-0165N*	33"	23"	70"	\$324.00
CDH3-0166N*	40"-41"	23"	82"	\$324.00
CDH3-0167N*	42"-44"	23"	88"	\$324.00
CDH3-0168N*	45"-47"	23"	94"	\$324.00
CDH3-0169N*	48"-49"	23"	100"	\$324.00
CDH3-0170N*	50"	23"	100"	\$324.00
CDH3-0171N*	51"-54"	23"	106"	\$453.00
CDH3-0172N*	34"-35"	23"	70"	\$324.00
CDH3-0173N*	36"-38"	23"	76"	\$324.00
CDH3-0174N*	39"	23"	82"	\$324.00
CDH3-0175N*	30"-32"	27"	64"	\$324.00
CDH3-0176N*	33"	27"	70"	\$324.00

Part No.	C/P	Hi-Cab Header	Track Length	List Price
CDH3-0177N*	34"-35"	27"	70"	\$324.00
CDH3-0178N*	36"-38"	27"	76"	\$324.00
CDH3-0179N*	39"	27"	82"	\$324.00
CDH3-0180N*	40"-41"	27"	82"	\$324.00
CDH3-0181N*	42"-44"	27"	88"	\$324.00
CDH3-0182N*	45"-47"	27"	94"	\$324.00
CDH3-0183N*	48"-49"	27"	100"	\$324.00
CDH3-0184N*	50"	27"	100"	\$324.00
CDH3-0185N*	51"-54"	27"	106"	\$453.00
CDH3-0186N*	30"-32"	31"	64"	\$324.00
CDH3-0187N*	33"	31"	70"	\$324.00
CDH3-0188N*	34"-35"	31"	70"	\$324.00
CDH3-0189N*	36"-38"	31"	76"	\$324.00
CDH3-0190N*	39"	31"	82"	\$324.00
CDH3-0191N*	40"-41"	31"	82"	\$324.00
CDH3-0192N*	42"-44"	31"	88"	\$324.00
CDH3-0193N*	45"-47"	31"	94"	\$324.00
CDH3-0194N*	48"-49"	31"	100"	\$324.00
CDH3-0195N*	50"	31"	100"	\$324.00
CDH3-0196N*	51"-54"	31"	106"	\$453.00
CDH3-0197N*	30"-32"	35"	64"	\$324.00
CDH3-0198N*	33"	35"	70"	\$324.00
CDH3-0199N*	34"-35"	35"	70"	\$324.00
CDH3-0200N*	36"-38"	35"	76"	\$324.00

DOOR EQUIPMENT

Car Door Hanger Assemblies

Center Parting - Conventional - Type "A"

Car Door Hanger Assemblies

15" Header (Ung geared) - Arranged for High Cab

Part No.	C/P	Hi-Cab Header	Track Length	List Price
CDH3-0201N*	39"	35"	82"	\$324.00
CDH3-0202N*	40"-41"	35"	82"	\$324.00
CDH3-0203N*	42"-44"	35"	88"	\$324.00
CDH3-0204N*	45"-47"	35"	94"	\$324.00
CDH3-0205N*	48"-49"	35"	100"	\$324.00
CDH3-0206N*	50"	35"	100"	\$324.00
CDH3-0207N*	51"-54"	35"	106"	\$453.00
CDH3-0208N*	30"-32"	39"	64"	\$324.00
CDH3-0209N*	33"	39"	70"	\$324.00
CDH3-0210N*	34"-35"	39"	70"	\$324.00
CDH3-0211N*	36"-38"	39"	76"	\$324.00
CDH3-0212N*	39"	39"	82"	\$324.00
CDH3-0213N*	40"-41"	39"	82"	\$324.00
CDH3-0214N*	42"-44"	39"	88"	\$324.00
CDH3-0215N*	45"-47"	39"	94"	\$324.00

Part No.	C/P	Hi-Cab Header	Track Length	List Price
CDH3-0216N*	48"-49"	39"	100"	\$324.00
CDH3-0217N*	50"	39"	100"	\$324.00
CDH3-0218N*	51"-54"	39"	106"	\$453.00
CDH3-0219N*	30"-32"	43"	64"	\$324.00
CDH3-0220N*	33"	43"	70"	\$324.00
CDH3-0221N*	34"-35"	43"	70"	\$324.00
CDH3-0222N*	36"-38"	43"	76"	\$324.00
CDH3-0223N*	39"	43"	82"	\$324.00
CDH3-0224N*	40"-41"	43"	82"	\$324.00
CDH3-0225N*	42"-44"	43"	88"	\$324.00
CDH3-0226N*	45"-47"	43"	94"	\$324.00
CDH3-0227N*	48"-49"	43"	100"	\$324.00
CDH3-0228N*	50"	43"	100"	\$324.00
CDH3-0229N*	51"-54"	43"	106"	\$453.00

15", 17" Header (Vertical Geared)



Part No.	C/P	Header Height	Track Length	List Price
CDH3-0248N*	30"-32"	15"	64"	\$435.00
CDH3-0249N*	33"-35"	15"	70"	\$435.00
CDH3-0250N*	36"-38"	15"	76"	\$435.00
CDH3-0251N*	39"-41"	15"	82"	\$435.00
CDH3-0252N*	42"-44"	15"	88"	\$435.00
CDH3-0253N*	45"-47"	15"	97"	\$435.00
CDH3-0254N*	48"-49"	15"	100"	\$435.00
CDH3-0257N*	50"	17"	100"	\$435.00
CDH3-0255N*	51"-56"	17"	106"	\$564.00
CDH3-0256N*	57"-59"	17"	112"	\$564.00

DOOR EQUIPMENT

Car Door Hanger Assemblies

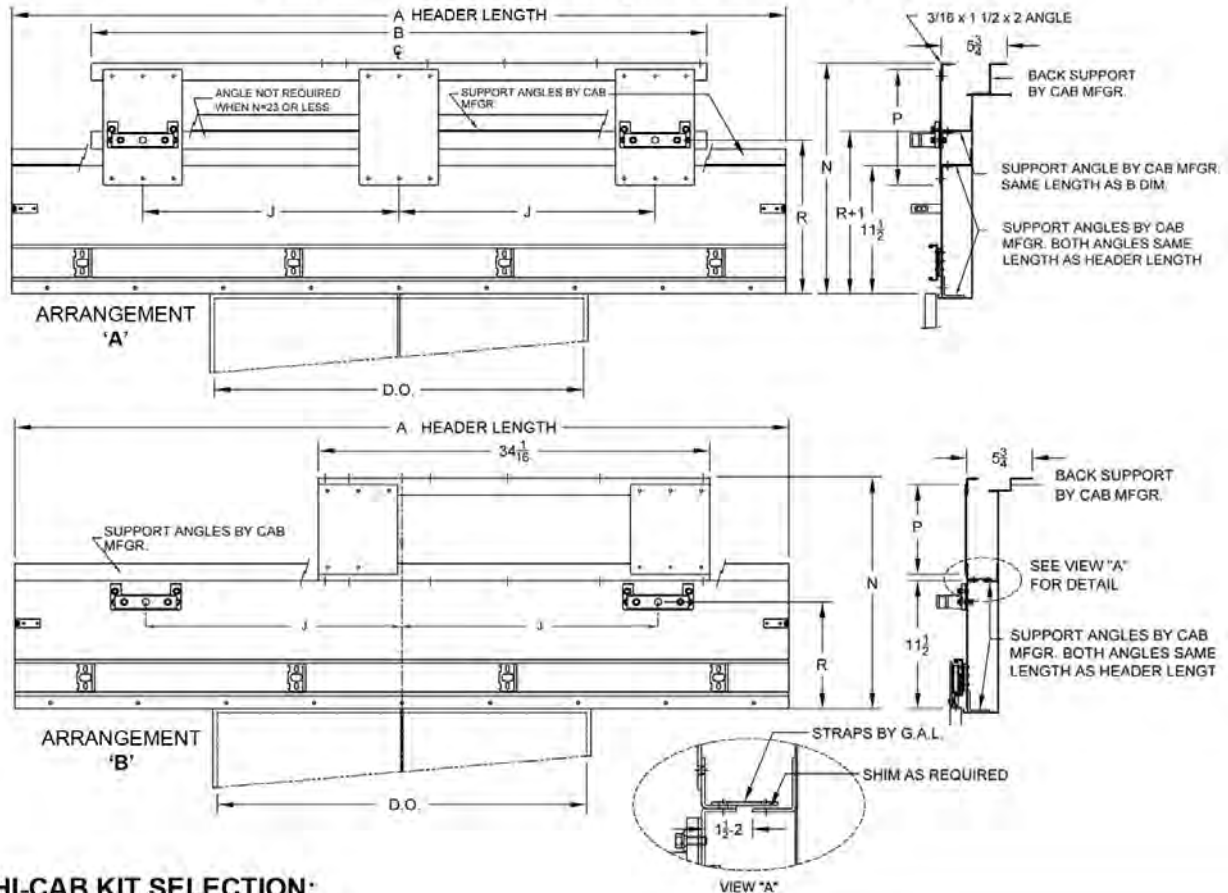
Center Parting - Conventional - Type "A"

Hi-Cab Kit

WHEN ORDERING HI-CAB KIT, ADVISE G.A.L. OF THE FOLLOWING:

Type of Doors | Clear Opening Width | O.A. Cab Height or The Distance from Top of the Door to Top of the Cab

Based on the information above, our engineering department determines one of the arrangements shown below.



HI-CAB KIT SELECTION:

19" Header Height



23" & Up Header Height



DOOR EQUIPMENT

Car Door Hanger Assemblies

Center Parting - Conventional - Type "A"

Car Door Hanger Assemblies

Hi-Cab Kit

Note: CDH1-0104N is a HI-Cab kit, 4" channel

Part No.	C/P	Header Height	Plate "P" DIM	List Price
CDH1-0104N*	32"-73"	19"	-	\$124.00
CDH3-0023N*	30"-32"	23"	9 1/2"	\$262.00
CDH3-0024N*	33"-33"	23"	9 1/2"	\$262.00
CDH3-0027N*	34"-39"	23"	9 1/2"	\$262.00
CDH3-0028N*	40"-44"	23"	9 1/2"	\$262.00
CDH3-0029N*	45"-49"	23"	9 1/2"	\$262.00
CDH3-0030N*	50"-54"	23"	9 1/2"	\$262.00
CDH3-0031N*	30"-32"	27"	13 1/2"	\$293.00
CDH3-0032N*	33"-33"	27"	13 1/2"	\$293.00
CDH3-0033N*	34"-39"	27"	13 1/2"	\$293.00
CDH3-0034N*	40"-44"	27"	13 1/2"	\$293.00
CDH3-0035N*	45"-49"	27"	13 1/2"	\$293.00
CDH3-0036N*	50"-54"	27"	13 1/2"	\$293.00
CDH3-0037N*	30"-32"	31"	17 1/2"	\$293.00
CDH3-0038N*	33"-33"	31"	17 1/2"	\$293.00
CDH3-0039N*	34"-39"	31"	17 1/2"	\$293.00
CDH3-0040N*	40"-44"	31"	17 1/2"	\$293.00
CDH3-0041N*	45"-49"	31"	17 1/2"	\$293.00
CDH3-0042N*	50"-54"	31"	17 1/2"	\$293.00

Part No.	C/P	Header Height	Plate "P" DIM	List Price
CDH3-0043N*	30"-32"	35"	21 1/2"	\$293.00
CDH3-0044N*	33"-33"	35"	21 1/2"	\$293.00
CDH3-0045N*	34"-39"	35"	21 1/2"	\$293.00
CDH3-0046N*	40"-44"	35"	21 1/2"	\$293.00
CDH3-0047N*	45"-49"	35"	21 1/2"	\$293.00
CDH3-0048N*	50"-54"	35"	21 1/2"	\$293.00
CDH3-0049N*	30"-32"	39"	25 1/2"	\$293.00
CDH3-0050N*	33"-33"	39"	25 1/2"	\$293.00
CDH3-0051N*	34"-39"	39"	25 1/2"	\$293.00
CDH3-0052N*	40"-44"	39"	25 1/2"	\$293.00
CDH3-0053N*	45"-49"	39"	25 1/2"	\$293.00
CDH3-0054N*	50"-54"	39"	25 1/2"	\$293.00
CDH3-0055N*	30"-32"	43"	29 1/2"	\$355.00
CDH3-0056N*	33"-33"	43"	29 1/2"	\$355.00
CDH3-0057N*	34"-39"	43"	29 1/2"	\$355.00
CDH3-0058N*	40"-44"	43"	29 1/2"	\$355.00
CDH3-0059N*	45"-49"	43"	29 1/2"	\$355.00
CDH3-0060N*	50"-54"	43"	29 1/2"	\$355.00

Less Header (Ung geared)

Part No.	C/P	Track Length	List Price
CDH3-0231N	30"-32"	64"	\$188.00
CDH3-0232N	33"-35"	70"	\$188.00
CDH3-0233N	36"-38"	76"	\$188.00
CDH3-0234N	39"-41"	82"	\$188.00
CDH3-0235N	42"-44"	88"	\$188.00

Part No.	C/P	Track Length	List Price
CDH3-0236N	45"-47"	94"	\$188.00
CDH3-0237N	48"-50"	100"	\$188.00
CDH3-0238N	51"-56"	106"	\$318.00
CDH3-0239N	57"-59"	112"	\$318.00

Center Parting - Dust/Explosion Resistant - Type "AX"

15", 17" Header (Ung geared)



Part No.	C/P	Header Height	Track Length	List Price
CDH3-0271N*	30"-32"	15"	64"	\$361.00
CDH3-0272N*	33"-35"	15"	70"	\$361.00
CDH3-0273N*	36"-38"	15"	76"	\$361.00
CDH3-0274N*	39"-41"	15"	82"	\$361.00
CDH3-0275N*	42"-44"	15"	88"	\$361.00
CDH3-0276N*	45"-47"	15"	94"	\$361.00
CDH3-0277N*	48"-49"	15"	100"	\$361.00
CDH3-0278N*	50"	17"	100"	\$490.00
CDH3-0279N*	51"-54"	17"	106"	\$490.00
CDH3-0280N*	55"-56"	17"	106"	\$490.00
CDH3-0281N*	57"-59"	17"	112"	\$490.00

Ung geared - Arranged for High Cab

Note: Dust/explosion resistant C/P car door hangers are the same as conventional C/P car door hangers arranged for high cab kit. Refer to Conventional- Center Parting - Arranged for High Cab – Type "A" table

DOOR EQUIPMENT

Car Door Hanger Assemblies

Center Parting - Water Resistant - Type "AW"

15", 17" Header (Ungeared)

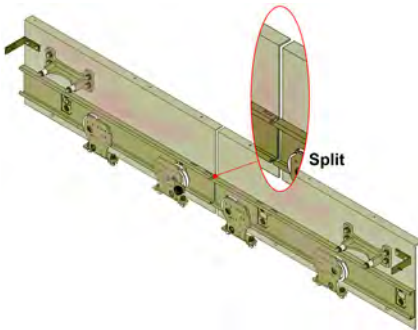
Note: All ferrous material are yellow zinc dichromate plated



Part No.	C/P	Header Height	Track Length	List Price
CDH21-0001N*	30"-32"	15"	64"	\$647.00
CDH21-0002N*	33"	15"	70"	\$647.00
CDH21-0004N*	36"-38"	15"	76"	\$647.00
CDH21-0005N*	39"	15"	82"	\$647.00
CDH21-0007N*	42"-44"	15"	88"	\$647.00
CDH21-0008N*	45"-47"	15"	94"	\$647.00
CDH21-0009N*	48"-49"	15"	100"	\$647.00
CDH21-0010N*	50"	17"	100"	\$647.00
CDH21-0011N*	51"-54"	17"	106"	\$906.00
CDH21-0012N*	55"-56"	17"	106"	\$906.00
CDH21-0013N*	57"-59"	17"	112"	\$906.00

17", 19" Header (Ungeared) - Split Hangers

Note: All ferrous material are yellow zinc dichromate plated



Part No.	C/P	Header Height	Track Length	List Price
CDH21-0014N*	60"-62"	17"	117"	\$1,165.00
CDH21-0015N*	63"-64"	17"	129"	\$1,165.00
CDH21-0016N*	65"-68"	19"	129"	\$1,165.00
CDH21-0017N*	69"-74"	19"	141"	\$1,423.00
CDH21-0018N*	75"-80"	19"	153"	\$1,423.00
CDH21-0019N*	81"-83"	19"	165"	\$1,423.00

Less Header (Ungeared)

Note: Contact G.A.L Sales or Engineering Department for center parting ungeared hangers.

Center Parting - Vandal Resistant - Type "A"

Ungeared

Note: Vandal resistant C/P ungeared car door hangers are the same as conventional C/P car door hangers ungeared – type "A"
Refer to Conventional-Center Parting - Ungeared - 15", 17" Header - Type "A" table

Ungeared - Split Hangers

Note: Vandal resistant C/P ungeared – split car door hangers are the same as conventional C/P car door hangers ungeared – split hangers - type "A"

Refer to Conventional - Center Parting - Ungeared – Split Hangers – Type "A" for **17" header D.O 60"-64"**, and **19" header D.O 65"-83"** table

Vertical Geared

Note: Vandal resistant C/P vertical geared car door hangers are the same as conventional C/P car door hangers vertical geared – type "A"
Refer to Conventional- Center Parting – Vertical Geared -15", 17" Header Geared – Type "A" table

Arranged for High Cab

Note:

Refer to Conventional- Center Parting (Arranged for High Cab - Type "A") for **HI-Cab Kit arrangement hangers** for vandal resistant purpose.

DOOR EQUIPMENT

Car Door Hanger Assemblies

Center Parting - Vandal Resistant - Type "A"

Less Header (Ungeared)

Note: Vandal resistant C/P less header car door hangers are the same as conventional C/P less header car door hangers – type "A"
 Refer to Conventional - Center Parting - Ungeared - Less Header – Type "A" table

Car Door Hanger
Assemblies

Two Speed Center Parting - Conventional - Type "A"

15", 17", 19" Header (Ungeared)

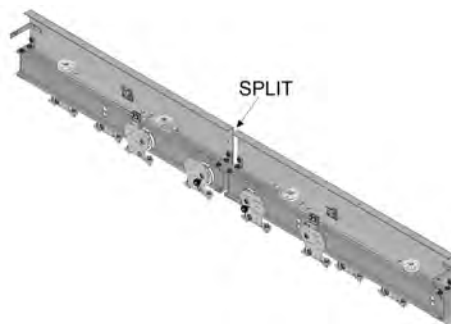


Part No.	2SP/CP	Header Height	Track Length	List Price
CDH4-0138N*	32"	15"	61"	\$740.00
CDH4-0001N*	33"-34"	15"	61"	\$740.00
CDH4-0002N*	35"	15"	61"	\$740.00
CDH4-0003N*	36"-38"	15"	64"	\$740.00
CDH4-0004N*	39"	15"	67"	\$740.00
CDH4-0005N*	40"-41"	15"	67"	\$740.00
CDH4-0006N*	42"-44"	15"	70"	\$740.00
CDH4-0007N*	45"-47"	15"	73"	\$740.00
CDH4-0008N*	48"-49"	15"	76"	\$740.00
CDH4-0009N*	50"-51"	17"	79"	\$740.00
CDH4-0010N*	52"-53"	17"	82"	\$740.00
CDH4-0011N*	54"	17"	85"	\$740.00
CDH4-0012N*	55"	17"	85"	\$740.00
CDH4-0013N*	56"-57"	17"	88"	\$740.00
CDH4-0014N*	58"-59"	17"	91"	\$740.00
CDH4-0015N*	60"-61"	17"	94"	\$869.00
CDH4-0016N*	62"-63"	17"	97"	\$869.00
CDH4-0017N*	64"	17"	100"	\$869.00
CDH4-0018N*	65"	19"	100"	\$869.00
CDH4-0019N*	66"-67"	19"	103"	\$869.00
CDH4-0020N*	68"-69"	19"	106"	\$869.00
CDH4-0021N*	70"-71"	19"	109"	\$998.00
CDH4-0022N*	72"-73"	19"	112"	\$998.00

Geared - Split Hangers

19" Header

Note: Geared fast to slow car doors



Part No.	2SP/CP	Track Length	List Price
CDH4-0108N*	74"-83"	116 1/2"	\$1,473.00
CDH4-0113N*	84"-89"	120 1/2"	\$1,617.00
CDH4-0114N*	90"-98"	128 1/2"	\$1,654.00

Hi-Cab Kit

Note: Contact G.A.L Sales or Engineering Department for two speed center parting high cab kits.
 Advise opening size, and cab height

DOOR EQUIPMENT

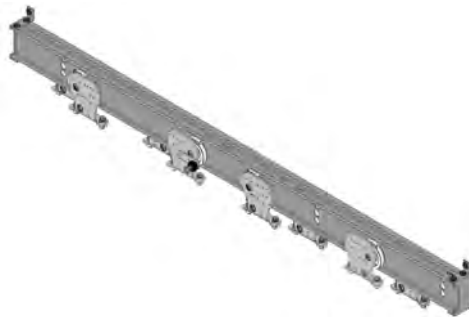
Car Door Hanger Assemblies

Car Door Hanger Assemblies

Two Speed Center Parting - Conventional - Type "A"

Less Header (Ung geared)

Less Header



Part No.	2SP/CP	Track Length	List Price
CDH4-0115N*	33"-35"	61"	\$586.00
CDH4-0116N*	36"-38"	64"	\$586.00
CDH4-0117N*	39"-41"	67"	\$586.00
CDH4-0118N*	42"-44"	70"	\$586.00
CDH4-0119N*	45"-47"	73"	\$586.00
CDH4-0120N*	48"-49"	76"	\$586.00
CDH4-0121N*	50"-51"	79"	\$586.00
CDH4-0122N*	52"-53"	82"	\$586.00
CDH4-0123N*	54"-55"	85"	\$586.00
CDH4-0124N*	56"-57"	88"	\$586.00
CDH4-0125N*	58"-59"	91"	\$586.00
CDH4-0126N*	60"-61"	94"	\$715.00
CDH4-0127N*	62"-63"	97"	\$715.00
CDH4-0128N*	64"-65"	100"	\$715.00
CDH4-0129N*	66"-67"	103"	\$715.00
CDH4-0130N*	68"-69"	106"	\$715.00
CDH4-0131N*	70"-71"	109"	\$844.00
CDH4-0132N*	72"-73"	112"	\$844.00

Two Speed Center Parting - Dust/Explosion Resistant - Type "AX"

Ung geared

Note: Contact G.A.L Sales or Engineering Department for two speed center parting ungeared hangers.

Two Speed Center Parting - Water & Vandal Resistant - Type "AW" & "HA"

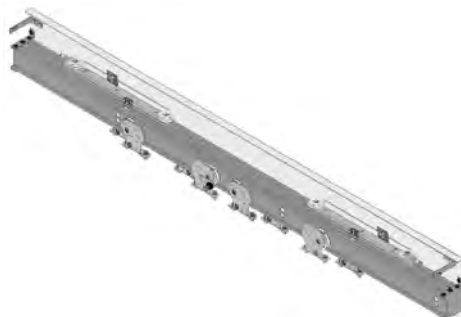
Geared - Split Hangers

Note: All Ferrous Material Yellow Zinc Dichromate Plated

Contact G.A.L Sales or Engineering Department for two speed center parting ungeared, geared, geared-split, and vandal & water resistant hangers.

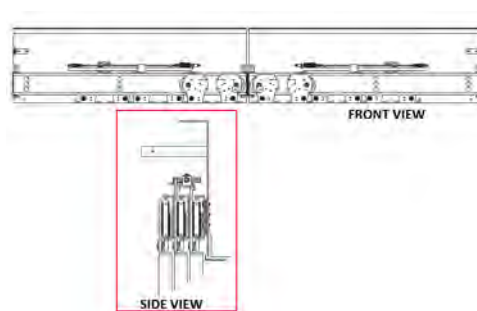
Three Speed Center Parting - Conventional - Type "A"

Geared



Note: Contact G.A.L Sales or Engineering Department for three speed center parting geared hangers.

Geared - Split Hangers



Note: Contact G.A.L Sales or Engineering Department for three speed center parting geared-split hangers.

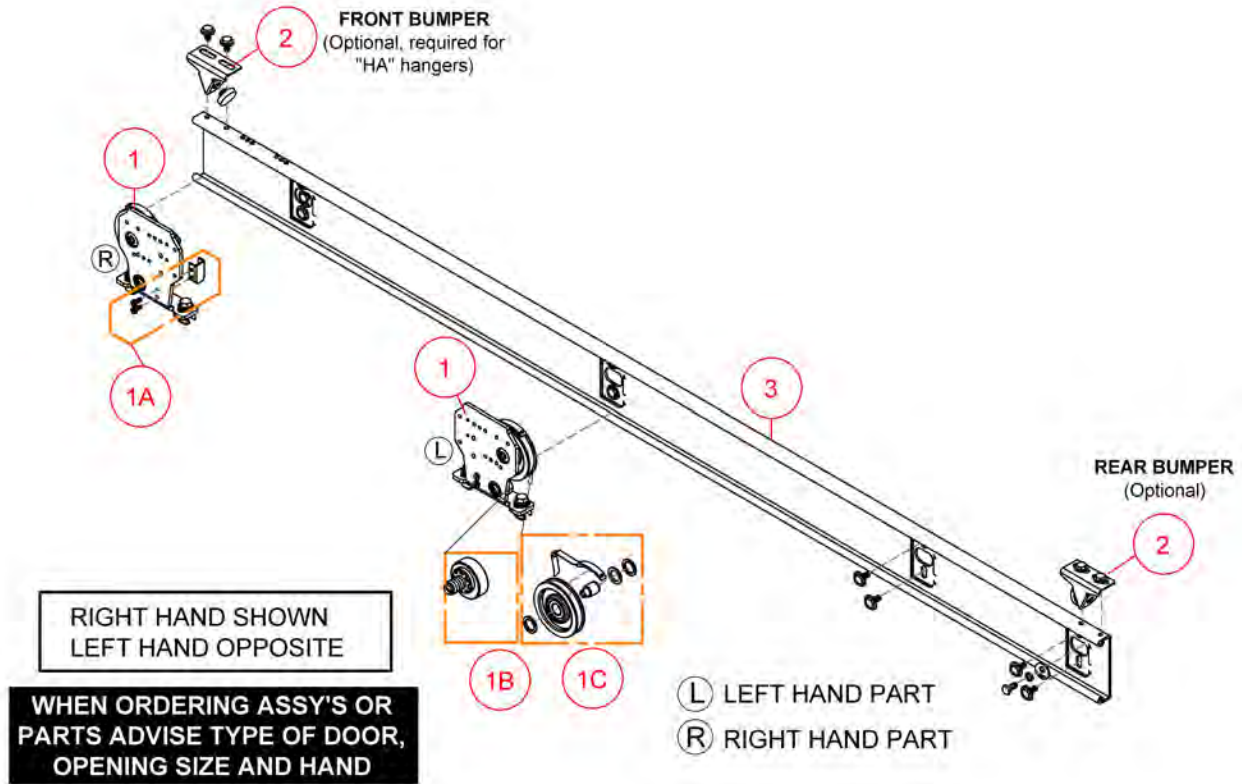
DOOR EQUIPMENT

Hatch Hanger Isometric Drawing

Single Speed - Type "A"

22"-48" Door Opening

Hatch Door Hanger
Assemblies



Part No.	Item No	Description
HH1-0105L/R	1	Sheave, 4-1/8 CL With 3/8-16 Bolts Top Safety Retainer (Page# 221)
HH1-0112N	1A	Retainer, Hanger Top Safety (Page# 225)
HH1-0024N	1B	Eccentric, "A" Sheave (Page# 225)

Part No.	Item No	Description
HH1-0025N	1C	Roller Kit, 3 1/4" Dia "A" (Page# 224)
HH4-0055N	2	Bumper, "A" CP Stop (Page# 236)
HH1-XXXXX	3	Track, S/S Hatch Door (Page# 231)

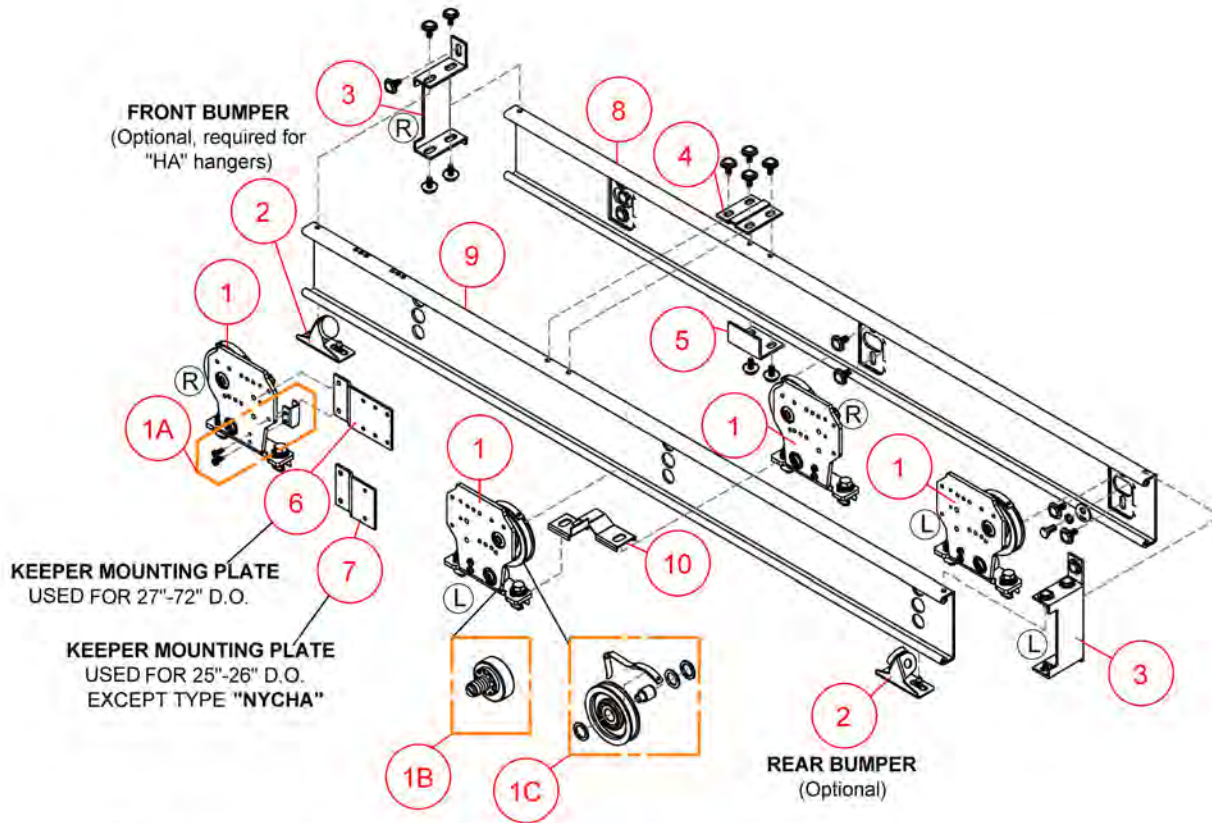
Mounting hardware included with this operator assembly (Page# 242-244)

DOOR EQUIPMENT

Hatch Hanger Isometric Drawing

Two Speed (Ung geared) - Type "A"

24"-72" Door Opening



(L) LEFT HAND PART
(R) RIGHT HAND PART

RIGHT HAND SHOWN
LEFT HAND OPPOSITE

WHEN ORDERING ASSY'S OR PARTS ADVISE TYPE OF DOOR, OPENING SIZE AND HAND

Part No.	Item No	Description
HH1-0105L/R	1	Sheave, 4-1/8 CL With 3/8-16 Bolts and Top Safety Retainer (Page# 221)
HH1-0112N	1A	Retainer, Hanger Top Safety (Page# 225)
HH1-0024N	1B	Eccentric, "A" Sheave (Page# 225)
HH1-0025N	1C	Roller Kit, 3 1/4" Dia "A" (Page# 224)
HH4-0055N	2	Bumper, "A" CP Stop (Page# 236)
HH2-0052L/R	3	Bracket, Track End 1 1/2" (Page# 236)
HH2-0053N	4	Bracket, Track Top 1 1/2" (Page# 235)
HH2-0054N	5	Angle, Track Bottom 1 1/2" (Page# 235)

Part No.	Item No	Description
INT1H-0037N	6	Plate, MO Keeper Mounting 2SP & 2/SP HA 30-72 D.O. 3/SP 41-69 D.O. 2SP/CP 58-83 D.O. (Page# 371-Interlock Section)
INT1H-0040N	7	Plate, MO Keeper Mounting, 2SP/CP 54-57 D.O. (Page# 371-Interlock Section)
HH2-XXXXX	8	Track, Slow Hatch Door (Page# 232)
HH2-XXXXX	9	Track, Fast Hatch Door (Page# 232)
HH2-XXXXX	10	Mechanical Interconnecting Device Set (Page# 217)

Mounting hardware included with this operator assembly (Page# 242-244)

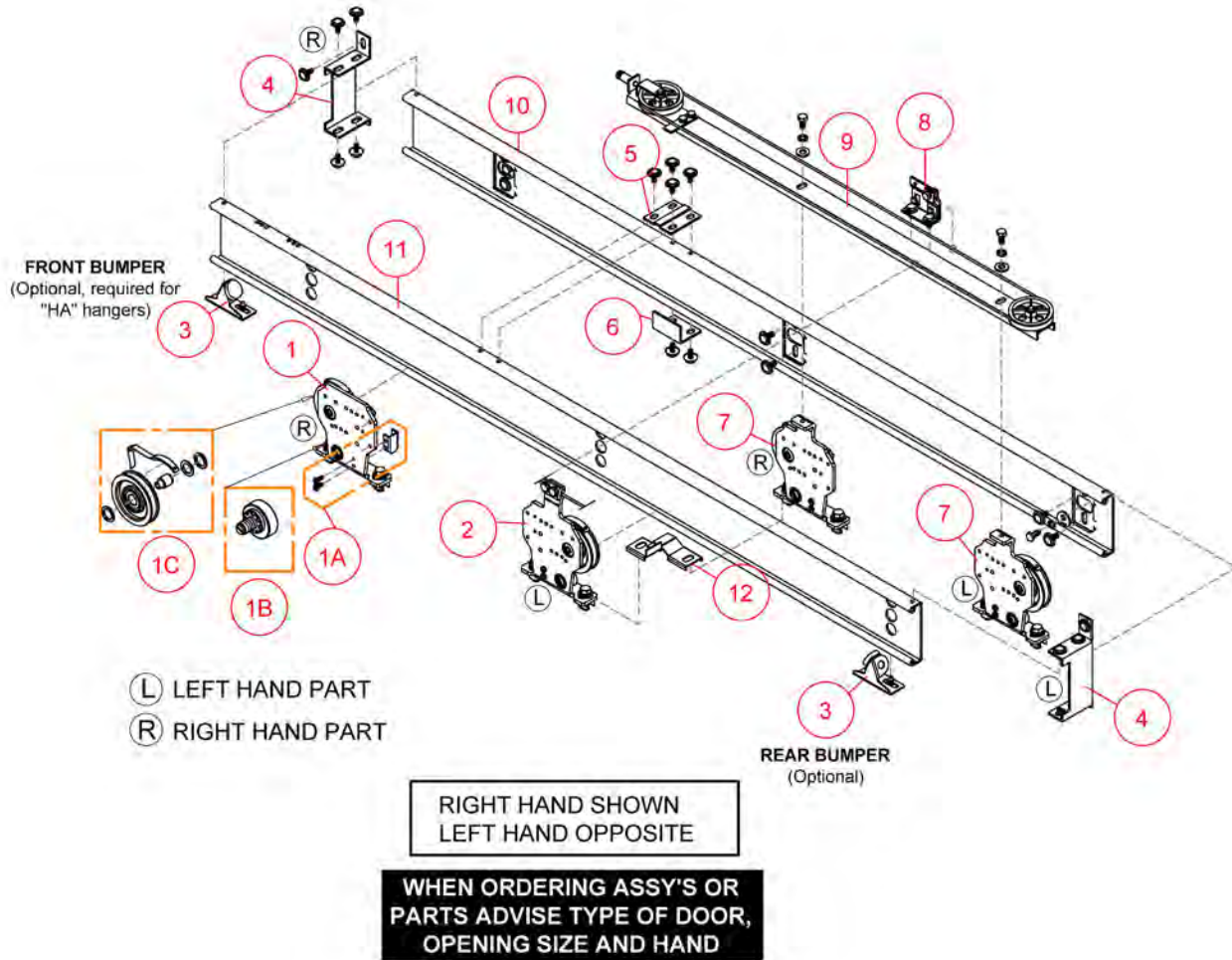
DOOR EQUIPMENT

Hatch Hanger Isometric Drawing

Two Speed (Geared) - Type "A"

22"-48" Door Opening

Hatch Door Hanger
Assemblies



Part No.	Item No	Description
HH1-0105L/R	1	Sheave, 4-1/8 CL With 3/8-16 Bolts and Top Safety Retainer (Page# 221)
HH1-0112N	1A	Retainer, Hanger Top Safety (Page# 225)
HH1-0024N	1B	Eccentric, "A" Sheave (Page# 225)
HH1-0025N	1C	Roller Kit, 3 1/4" Dia "A" (Page# 224)
HH2-0206L/R	2	Sheave, 2SP Cable Gear and Top Safety Retainers (Page# 223)
HH4-0055N	3	Bumper, "A" CP Stop (Page# 236)
HH2-0052L/R	4	Bracket, Track End 1 1/2" (Page# 236)
HH2-0053N	5	Bracket, Track Top 1 1/2" (Page# 235)

Part No.	Item No	Description
HH2-0054N	6	Angle, Track Bottom 1 1/2" (Page# 235)
HH2-0208L/R	7	Sheave, 2SP Cable Gearing Bar and Top Safety Retainers (Page# 223)
CDH2-0082N	8	Clamp, 2SP Cable Anchor (Page# 213)
CDH2-XXXXX	9	Bar Assembly, Cable Gearing (Page# 210)
HH2-XXXXX	10	Track, Slow Hatch Door (Page# 232)
HH2-XXXXX	11	Track, Fast Hatch Door (Page# 232)
HH2-XXXXX	12	Mechanical Interconnecting Device Set (Page# 217)

Mounting hardware included with this operator assembly (Page# 242-244)

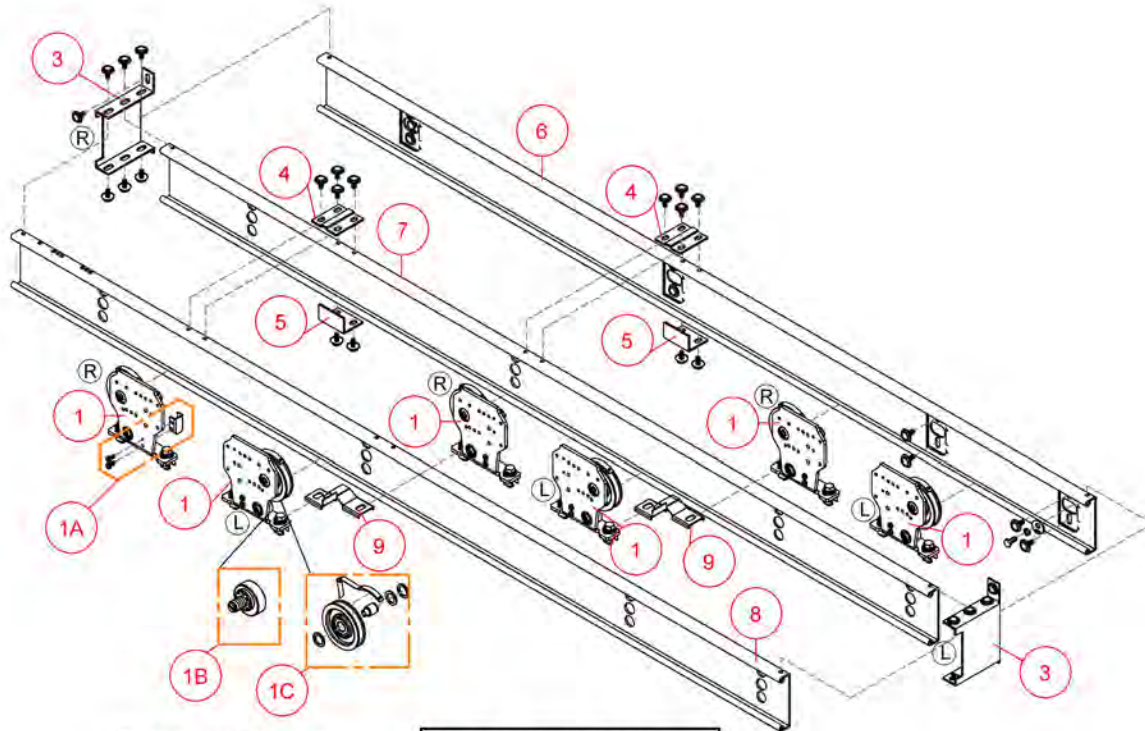
DOOR EQUIPMENT

Hatch Hanger Isometric Drawing

Three Speed (Ungearred) - Type "A"

30"-69" Door Opening

Hatch Door Hanger Assemblies



(L) LEFT HAND PART
(R) RIGHT HAND PART

RIGHT HAND SHOWN
LEFT HAND OPPOSITE

WHEN ORDERING ASSY'S OR PARTS ADVISE TYPE OF DOOR, OPENING SIZE AND HAND

Part No.	Item No	Description
HH1-0105L/R	1	Sheave, 4-1/8 CL With 3/8-16 Bolts and Top Safety Retainer (Page# 221)
HH1-0112N	1A	Retainer, Hanger Top Safety (Page# 225)
HH1-0024N	1B	Eccentric, "A" Sheave (Page# 225)
HH1-0025N	1C	Roller Kit, 3 1/4" Dia "A" (Page# 224)
HH2-0052L/R	3	Bracket, Track End 1 1/2" (Page# 236)
HH2-0053N	4	Bracket, Track Top 1 1/2" (Page# 235)

Part No.	Item No	Description
HH2-0054N	5	Angle, Track Bottom 1 1/2" (Page# 235)
HH9-XXXXX	6	Track, Slow Hatch Door (Page# 233)
HH9-XXXXX	7	Track, Intermediate Hatch Door (Page# 233)
HH9-XXXXX	8	Track, Fast Hatch Door (Page# 233)
HH2-XXXXX	9	Mechanical Interconnecting Device Set (Page# 217)

Mounting hardware included with this operator assembly (Page# 242-244)

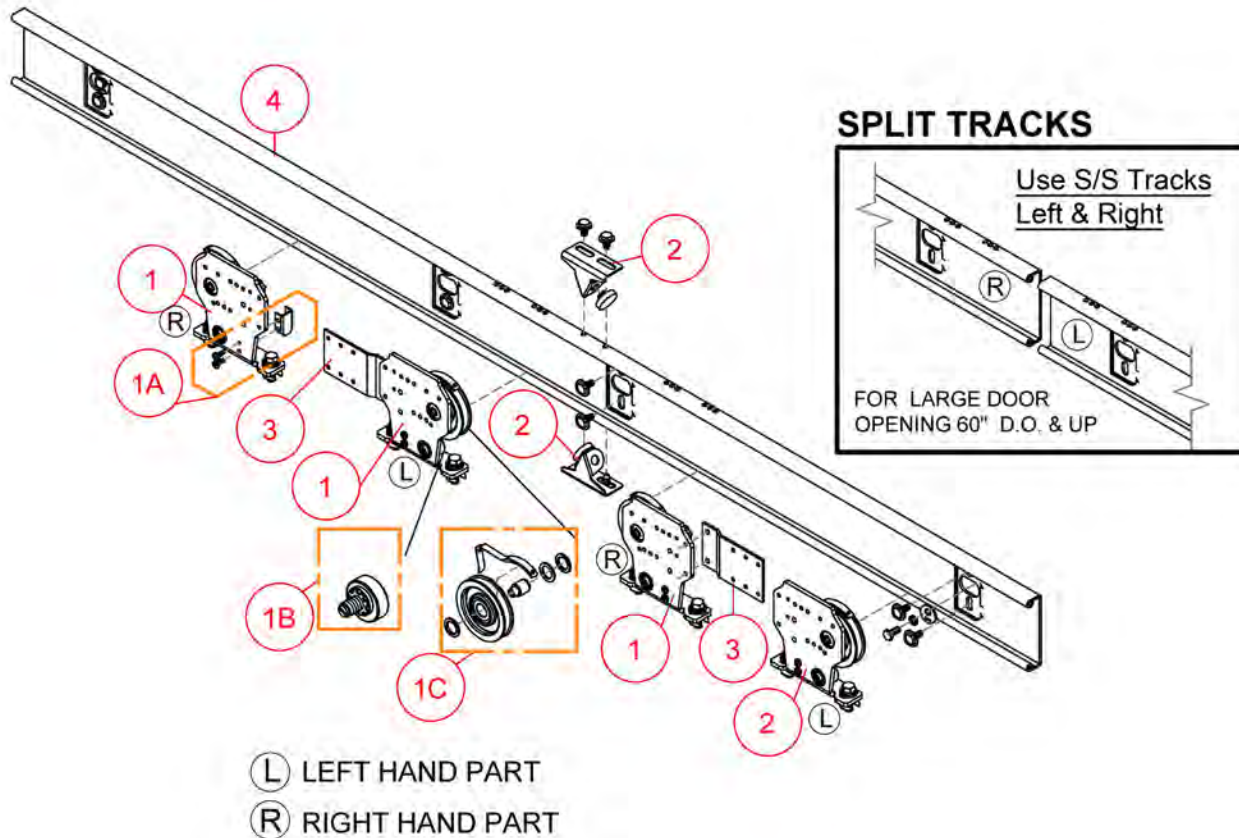
DOOR EQUIPMENT

Hatch Hanger Isometric Drawing

Center Parting - Type "A"

Hatch Door Hanger
Assemblies

30" & Up Door Opening



(L) LEFT HAND PART
(R) RIGHT HAND PART

Part No.	Item No	Description
HH1-0105L/R	1	Sheave, 4-1/8 CL With 3/8-16 Bolts and Top Safety Retainer (Page# 221)
HH1-0112N	1A	Retainer, Hanger Top Safety (Page# 225)
HH1-0024N	1B	Eccentric, "A" Sheave (Page# 225)
HH1-0025N	1C	Roller Kit, 3 1/4" Dia "A" (Page# 224)

Part No.	Item No	Description
HH4-0055N	2	Bumper, "A" CP Stop (Page# 236)
INT1H-0037N	3	Plate, MO Keeper Mounting 2SP & 2/SP HA 30-72 D.O. 3/SP 41-69 D.O. 2SP/CP 58-83 D.O. (Page# 371-Interlock Section)
HH3-XXXXX	4	Track, C/P Hatch Door (Page# 234)

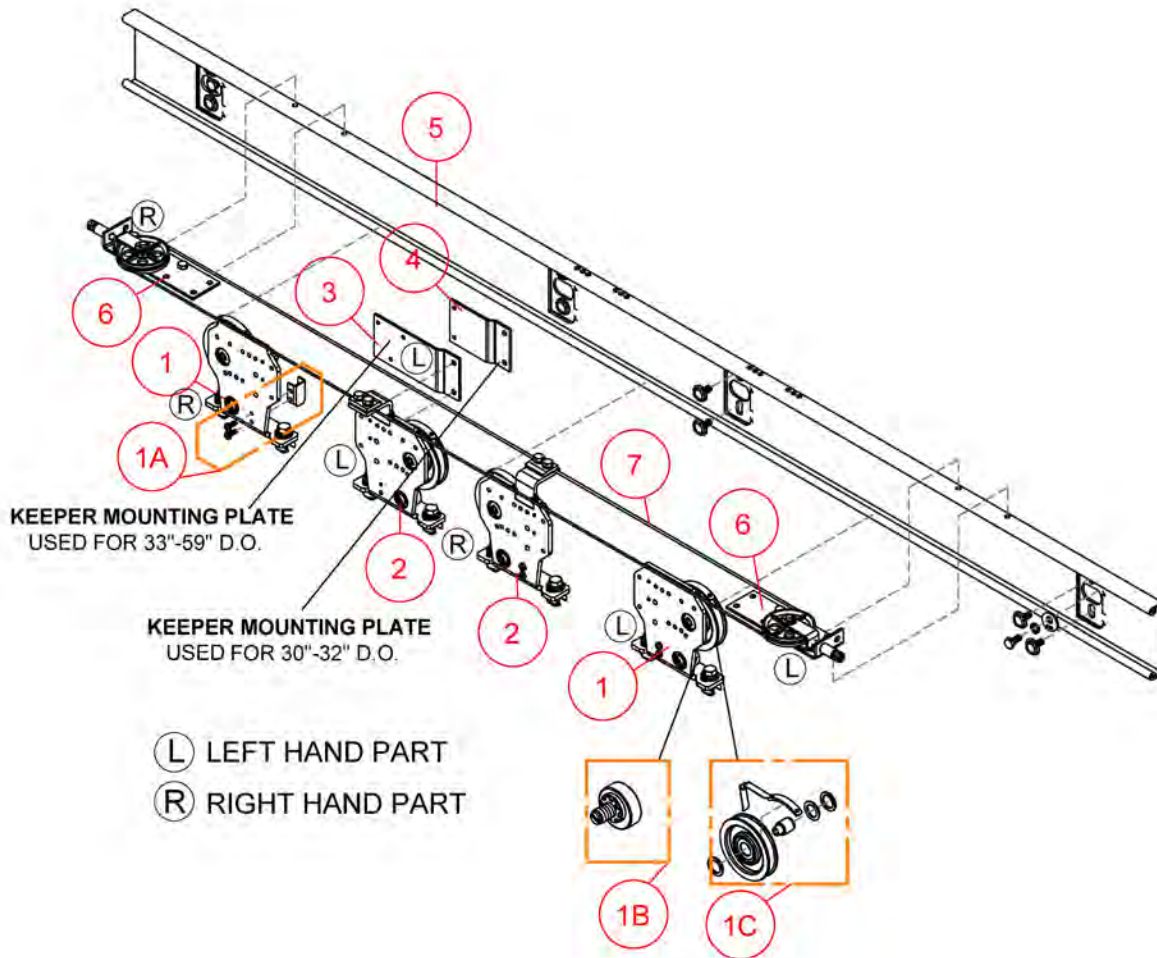
Mounting hardware included with this operator assembly (Page# 242-244)

DOOR EQUIPMENT

Hatch Hanger Isometric Drawing

Center Parting (Geared) - Type "A"

30"-59" Door Opening



Part No.	Item No	Description
HH1-0105L/R	1	Sheave, 4-1/8 CL With 3/8-16 Bolts and Top Safety Retainer (Page# 221)
HH1-0112N	1A	Retainer, Hanger Top Safety (Page# 225)
HH1-0024N	1B	Eccentric, "A" Sheave (Page# 225)
HH1-0025N	1C	Roller Kit, 3 1/4" Dia "A" (Page# 224)
HH3-0034L/R	2	Sheave, 4-1/8 CL With 3/8-16 Bolts and Top Safety Retainer (Page# 221)

Mounting hardware included with this operator assembly (Page# 242-244)

Part No.	Item No	Description
INT1H-0038L/R	3	Plate, MO Keeper Mounting, 2/SP HA 37-72 D.O. C/P 33-59 D.O. (Page# 371-Interlock Section)
INT1H-0039N	4	Plate, MO Keeper Mounting, For C/P 30-32 D.O. (Page# 371-Interlock Section)
HH3-XXXXX	5	Track, C/P Hatch Door (Page# 234)
HH3-0042L/R	6	Pulley Assembly, CP Nylon Tension (Replacement) (Page# 211)
HH3-XXXXX	7	Gearing Cable (Page# 212)

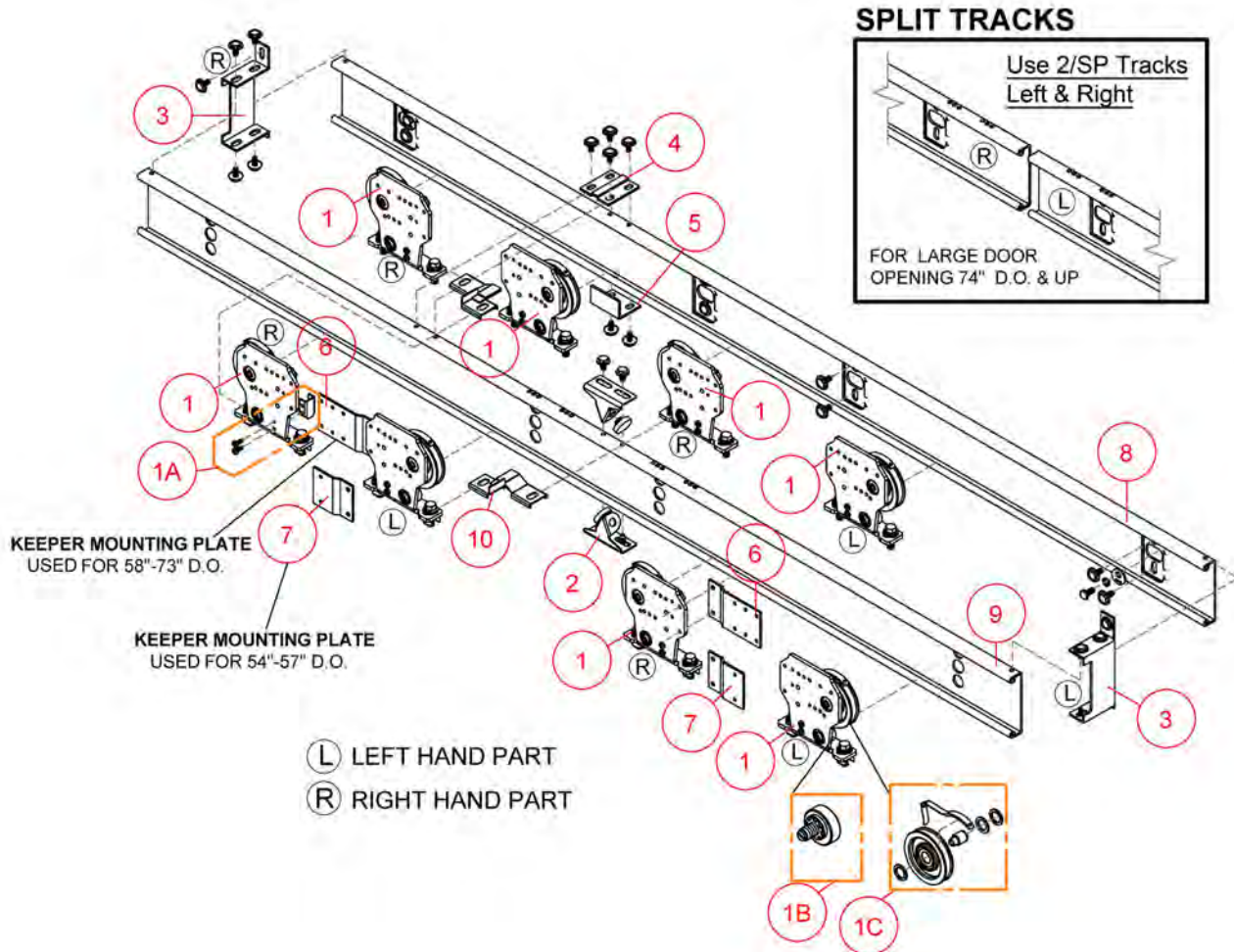
DOOR EQUIPMENT

Hatch Hanger Isometric Drawing

Two Speed Center Parting (Ungeared) - Type "A"

30" & Up Door Opening

Hatch Door Hanger
Assemblies



Part No.	Item No	Description
HH1-0105L/R	1	Sheave, 4-1/8 CL With 3/8-16 Bolts and Top Safety Retainer (Page# 221)
HH1-0112N	1A	Retainer, Hanger Top Safety (Page# 225)
HH1-0024N	1B	Eccentric, "A" Sheave (Page# 225)
HH1-0025N	1C	Roller Kit, 3 1/4" Dia "A" (Page# 224)
HH4-0055N	2	Bumper, "A" CP Stop (Page# 236)
HH2-0052L/R	3	Bracket, Track End 1 1/2" (Page# 236)
HH2-0053N	4	Bracket, Track Top 1 1/2" (Page# 235)
HH2-0054N	5	Angle, Track Bottom 1 1/2" (Page# 235)

Part No.	Item No	Description
INT1H-0037N	6	Plate, MO Keeper Mounting 2SP & 2/SP HA 30-72 D.O. 3/SP 41-69 D.O. 2SP/CP 58-83 D.O. (Page# 371-Interlock Section)
INT1H-0040N	7	Plate, MO Keeper Mounting, 2SP/CP 54-57 D.O. (Page# 371-Interlock Section)
HH4-XXXXX	8	Track, 2SP/CP Slow Hatch Door (Page# 234)
HH4-XXXXX	9	Track, 2SP/CP Fast Hatch Door (Page# 234)
HH2-XXXXX	10	Mechanical Interconnecting Device (Page# 217)

Mounting hardware included with this operator assembly (Page# 242-244)

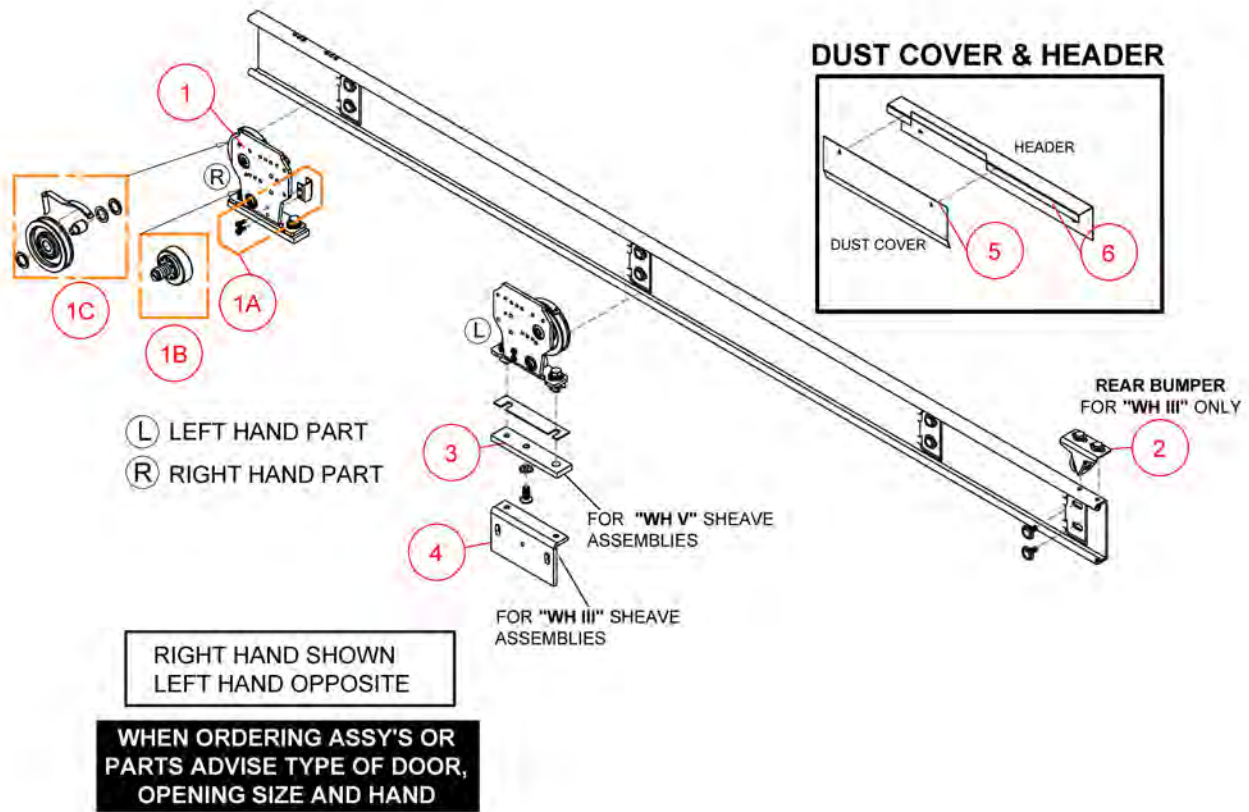
DOOR EQUIPMENT

Hatch Hanger Isometric Drawing

Westinghouse III, V

Single Speed 22"-48" D.O.

Hatch Door Hanger Assemblies



Part No.	Item No	Description
HH1-0105L/R	1	Sheave, 4-1/8 CL With 3/8-16 Bolts and Top Safety Retainer (Page# 221)
HH1-0112N	1A	Retainer, Hanger Top Safety (Page# 225)
HH1-0024N	1B	Eccentric, "A" Sheave (Page# 225)
HH1-0025N	1C	Roller Kit, 3 1/4" Dia "A" (Page# 224)
HH4-0055N	2	Bumper, "A" CP Stop (Page# 236)

Mounting Hardware Included with This Hanger Assembly (Page# 204-205)

Part No.	Item No	Description
HH17-0041N	3	Bar, Westinghouse I-IV Sheave Adaptor Kit, With Countersink For 3/8-16 Flat Head Screw (Page# 203)
HH17-0014N	4	Bracket, Integral Westinghouse Sheave Mounting (Page# 203)
HH17-0061N	5	Dust Cover, Westinghouse Type III & V (Page# 204)
HH17-0064L/R	6	Header, SS Westinghouse Type III (Page# 204)

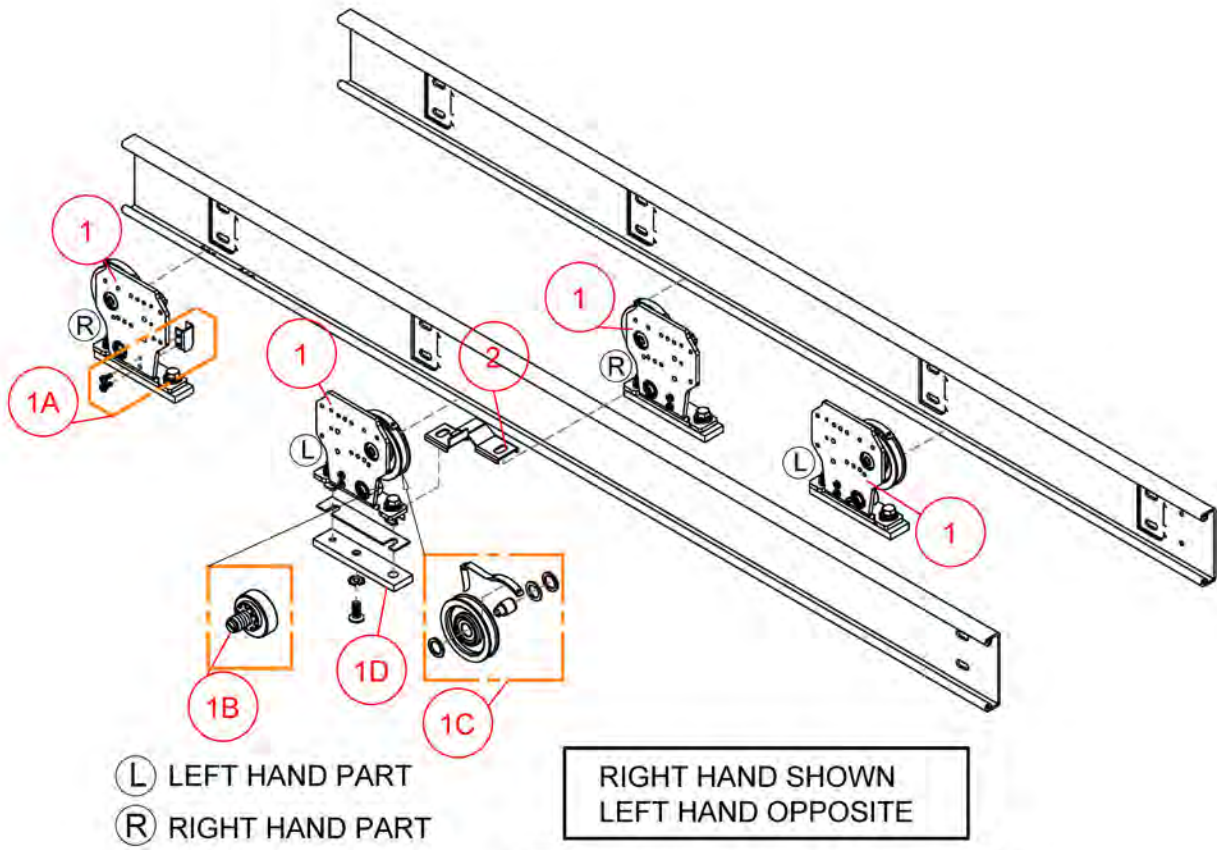
DOOR EQUIPMENT

Hatch Hanger Isometric Drawing

Westinghouse IV

Two Speed (Ung geared) 30"-48" D.O.

Hatch Door Hanger
Assemblies



WHEN ORDERING ASSY'S OR PARTS ADVISE TYPE OF DOOR, OPENING SIZE AND HAND

Part No.	Item No	Description
HH17-0046L/R	1	Sheave, CP 4-1/8" CL Westinghouse IV & V (Page# 223)
HH1-0112N	1A	Retainer, Hanger Top Safety (Page# 225)
HH1-0024N	1B	Eccentric, "A" Sheave (Page# 225)

Mounting Hardware Included with This Hanger Assembly (Page# 204-205)

Part No.	Item No	Description
HH1-0025N	1C	Roller Kit, 3 1/4" Dia "A" (Page# 224)
HH17-0041N	1D	Bar, Westinghouse I-IV Sheave Adaptor Kit, With Countersink For 3/8-16 Flat Head Screw (Page# 203)
HH2-XXXXX	2	Mechanical Interconnecting Device (Page# 217)

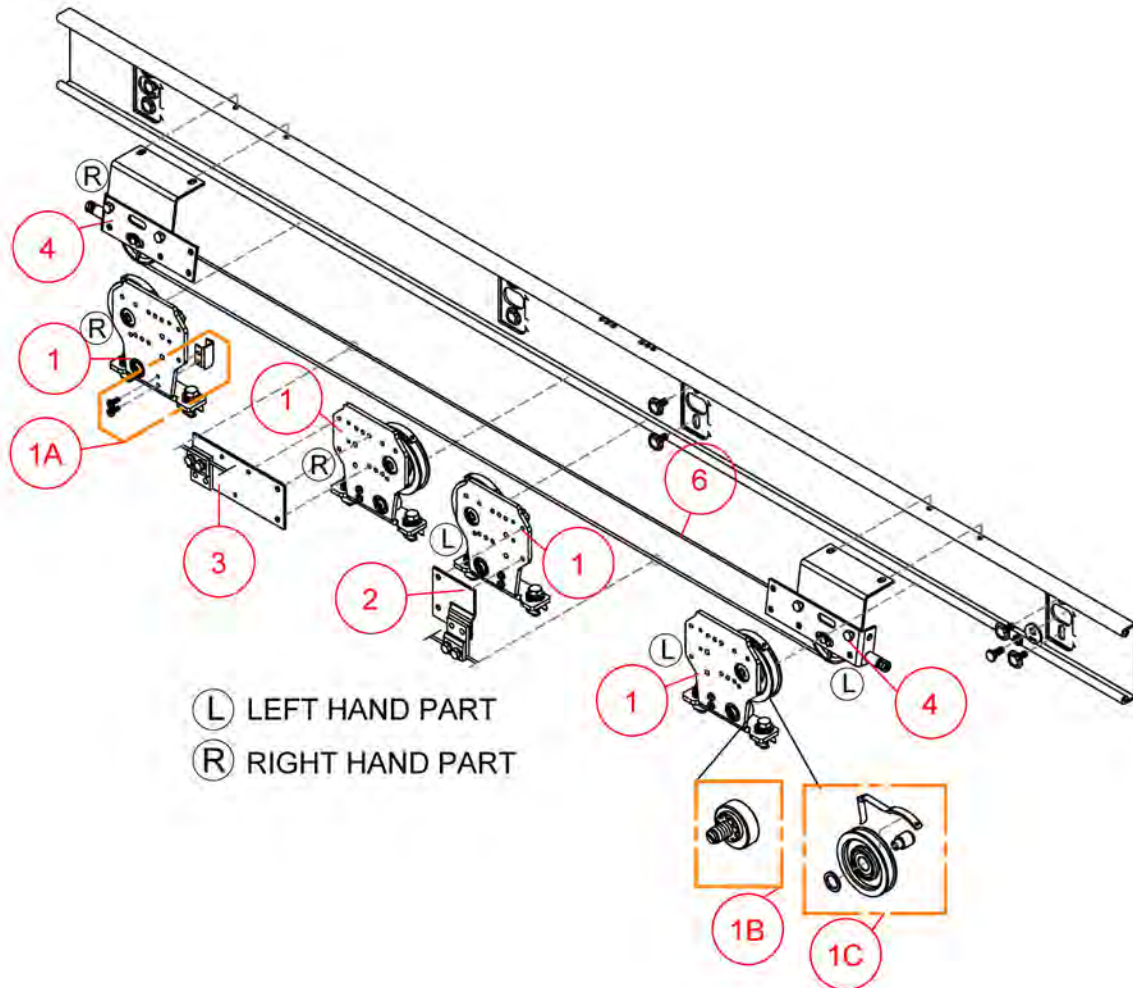
DOOR EQUIPMENT

Hatch Hanger Isometric Drawing

Westinghouse II

Center Parting (Geared) 36"-48" D.O.

Hatch Door Hanger Assemblies



(L) LEFT HAND PART
(R) RIGHT HAND PART

Part No.	Item No	Description
HH1-0106L/R	1	Sheave, 3 3/4" CL with 3/8-16 Bolts and Top Safety Retainer (Call G.A.L.)
HH1-0112N	1A	Retainer, Hanger Top Safety (Page# 225)
HH1-0024N	1B	Eccentric, "A" Sheave (Page# 225)
HH1-0025N	1C	Roller Kit, 3 1/4" Dia "A" (Page# 224)
HH17-0013N	2	Plate & Clamp, Gearing Kit Mounting (Page# 203)

Part No.	Item No	Description
HH17-0037N	3	Plate & Clamp, CP Mounting-3 3/4 MO Keeper Kit With Lower & Upper Gearing Cable Clamp. Use With 3 3/4" CL Of Sheaves (Page# 237)
HH3-0042L/R	4	Pulley Assembly, CP Nylon Tension (Replacement) (Page# 211)
HH3-XXXXX	6	Gearing Cable (Page# 212)

Mounting Hardware Included with This Hanger Assembly (Page# 204-205)

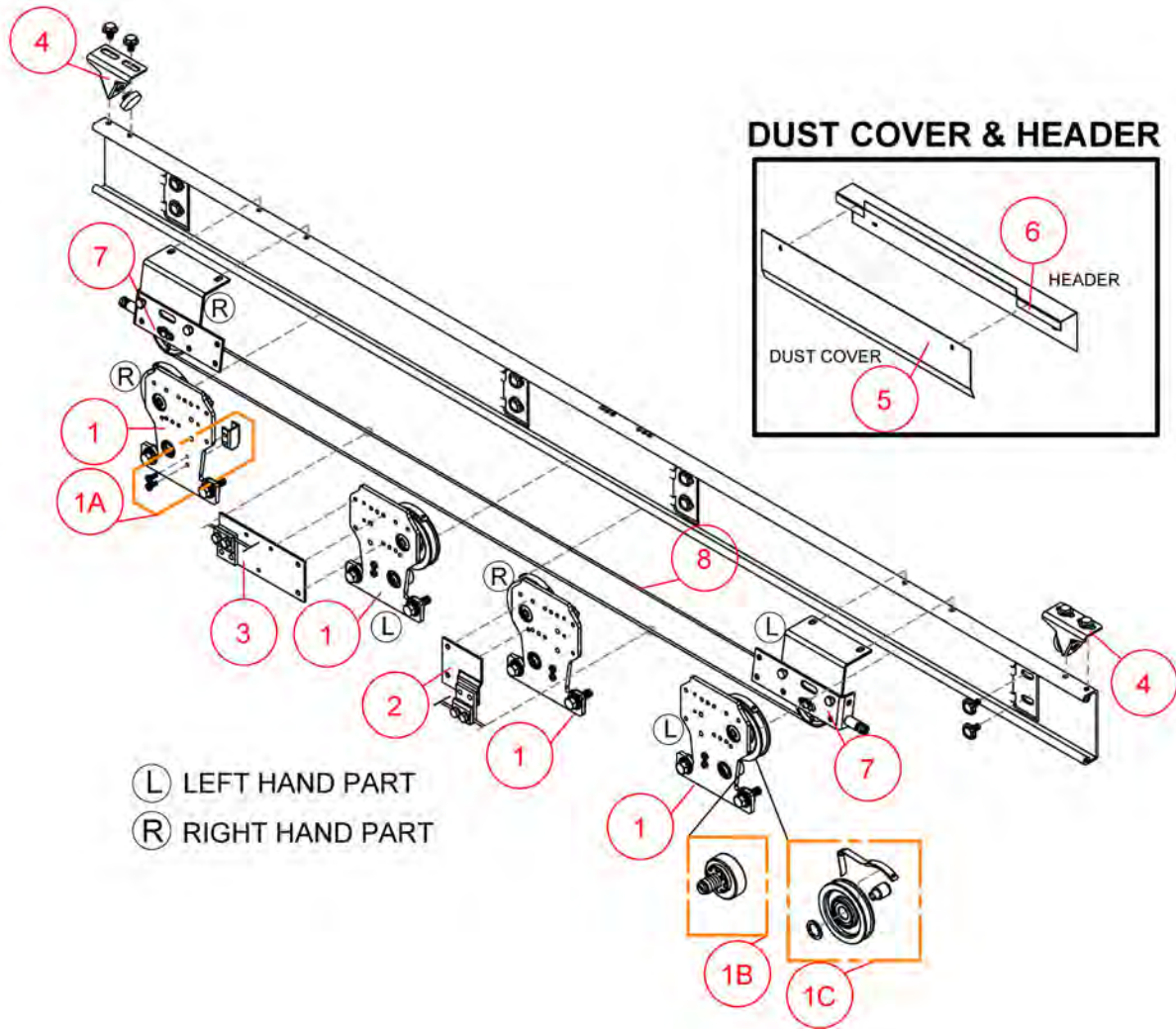
DOOR EQUIPMENT

Hatch Hanger Isometric Drawing

Westinghouse III-LOW

Center Parting (Geared) 36"-48" D.O.

Hatch Door Hanger
Assemblies



Part No.	Item No	Description
HH17-0018L/R	1	Sheave, 4-1/8" CL 3/8-16 Bolts Flat For Westinghouse III-Low & OTIS I Integral (Page# 203)
HH1-0112N	1A	Retainer, Hanger Top Safety (Page# 225)
HH1-0024N	1B	Eccentric, "A" Sheave (Page# 225)
HH1-0025N	1C	Roller Kit, 3 1/4" Dia "A" (Page# 224)
HH17-0043N	2	Plate & Clamp, Gearing Kit Mounting (Page# 203)
HH17-0036N	3	Plate & Clamp, CP Mounting-4 1/8 MO Keeper Kit With Lower & Upper Gearing Cable Clamp. Use With 4 1/8" CL Of Sheaves (Page# 237)

Part No.	Item No	Description
HH4-0055N	4	Bumper, "A" CP Stop (Page# 236)
HH17-0061N	5	Dust Cover, Westinghouse Type III & V (Page# 204)
HH17-0056N	6	Header, CP Westinghouse Type III & V (Page# 204)
HH3-0042L/R	7	Pulley Assembly, CP Nylon Tension (Replacement) (Page# 211)
HH3-XXXXX	8	Gearing Cable (Page# 212)

Mounting Hardware Included with This Hanger Assembly (Page# 204-205)

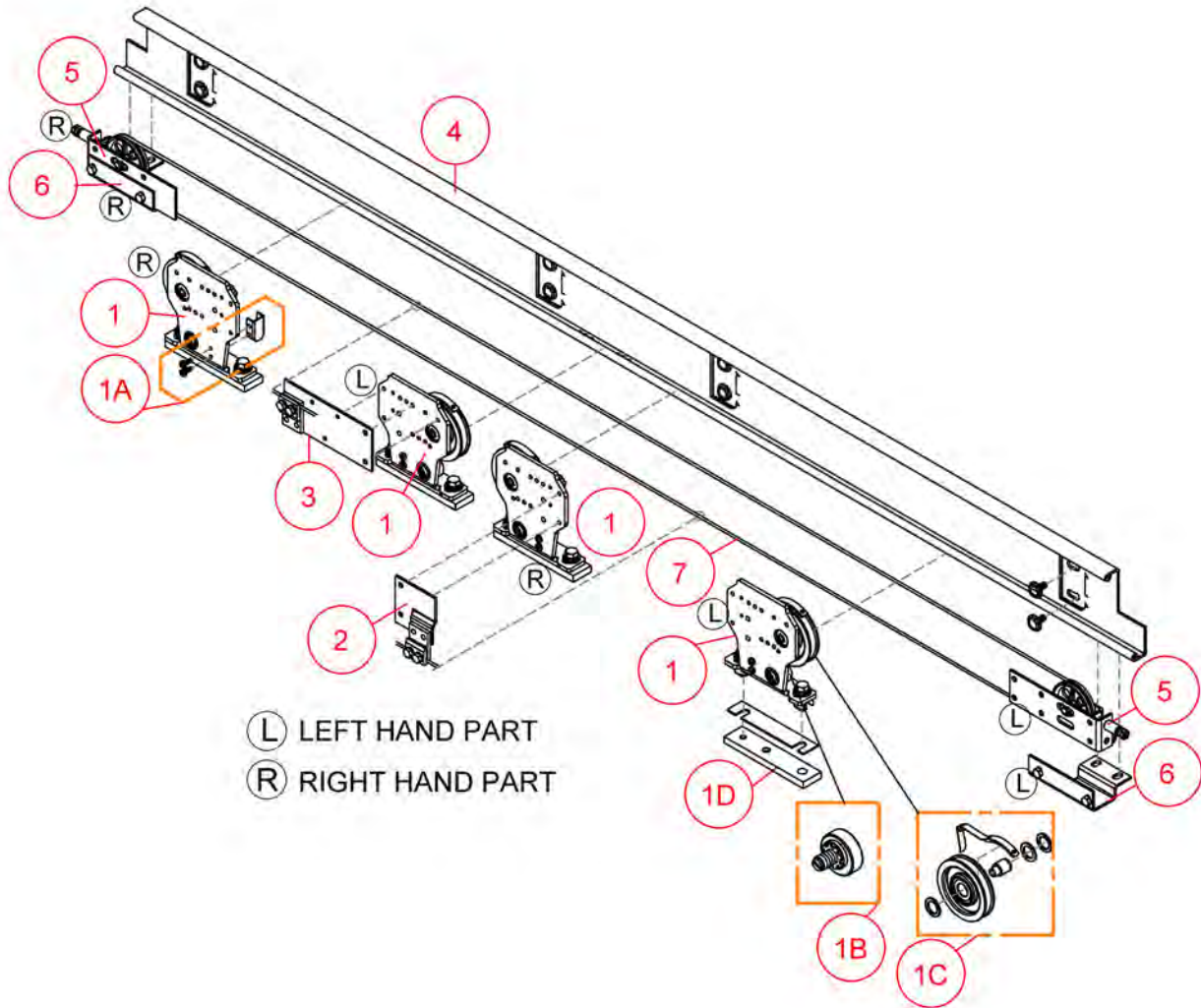
DOOR EQUIPMENT

Hatch Hanger Isometric Drawing

Westinghouse IV

Center Parting (Geared) 36"-48" D.O.

Hatch Door Hanger Assemblies



(L) LEFT HAND PART
(R) RIGHT HAND PART

Part No.	Item No	Description
HH17-0046L/R	1	Sheave, CP 4-1/8" CL Westinghouse IV & V (Page# 223)
HH1-0112N	1A	Retainer, Hanger Top Safety (Page# 225)
HH1-0024N	1B	Eccentric, "A" Sheave (Page# 225)
HH1-0025N	1C	Roller Kit, 3 1/4" Dia "A" (Page# 224)
HH17-0041N	1D	Bar, Westinghouse I-IV Sheave Adaptor Kit, With Countersink For 3/8-16 Flat Head Screw (Page# 203)
HH17-0043N	2	Plate & Clamp, Gearing Kit Mounting (Page# 203)

Mounting Hardware Included with This Hanger Assembly (Page# 204-205)

Part No.	Item No	Description
HH17-0038N	3	Plate & Clamp, C/P Hatch Gearing Kit, With Lower & Upper Gearing Cable Clamp. Use With Westinghouse IV (Page# 203)
HH17-0062N	4	Track, CP Westinghouse type IV (Page# 204)
HH3-0042L/R	5	Pulley Assembly, CP Nylon Tension (Replacement) (Page# 211)
HH17-0045L/R	6	Bracket, Gearing Cable Mounting (Westinghouse Type "IV" Replacement) (Page# 203)
HH3-XXXXX	7	Gearing Cable (Page# 212)

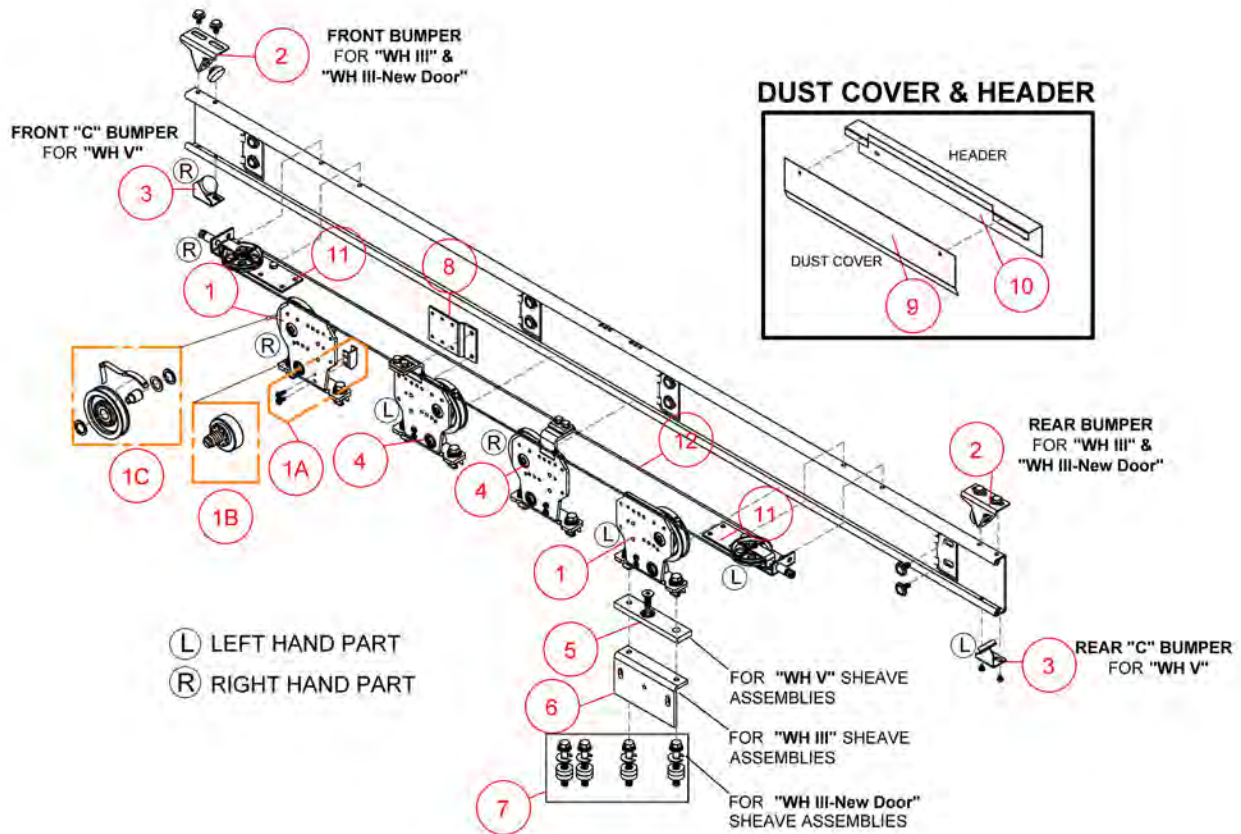
DOOR EQUIPMENT

Hatch Hanger Isometric Drawing

Westinghouse III, III-LOW, V

Center Parting (Geared) 36"-54" D.O.

Hatch Door Hanger
Assemblies



Part No.	Item No	Description
HH1-0105L/R	1	Sheave, 4-1/8 CL With 3/8-16 Bolts and Top Safety Retainer (Page# 221)
HH1-0112N	1A	Retainer, Hanger Top Safety (Page# 225)
HH1-0024N	1B	Eccentric, "A" Sheave (Page# 225)
HH1-0025N	1C	Roller Kit, 3 1/4" Dia "A" (Page# 224)
HH4-0055N	2	Bumper, "A" CP Stop (Page# 236)
HH8-0080L/R	3	Bumper, "C" C/P Stop
HH3-0034L/R	4	Sheave, 4-1/8 CL With 3/8-16 Bolts and Top Safety Retainer (Page# 221)
HH17-0041N	5	Bar, Westinghouse I-IV Sheave Adaptor Kit, With Countersink For 3/8-16 Flat Head Screw (Page# 203)

Mounting Hardware Included with This Hanger Assembly (Page# 204-205)

Part No.	Item No	Description
HH17-0014N	6	Bracket, Integral Westinghouse Sheave Mounting (Page# 203)
HH17-0010N	7	Hardware, C/P Westinghouse III Mounting Sheave New Doors (Page# 203)
INT1H-0037N	8	Plate, MO Keeper Mounting 2/SP & 2/SP HA 30-72 D.O. 3/SP 41-69 D.O. 2SP/CP 58-83 D.O. (Page# 371-Interlock Section)
HH17-0061N	9	Dust Cover, Westinghouse Type III & V (Page# 204)
HH17-0056N	10	Header, CP Westinghouse Type III & V (Page# 204)
HH17-0045L/R	11	Bracket, Gearing Cable Mounting (Westinghouse Type "IV" Replacement) (Page# 203)
HH3-XXXXX	12	Gearing Cable (Page# 212)

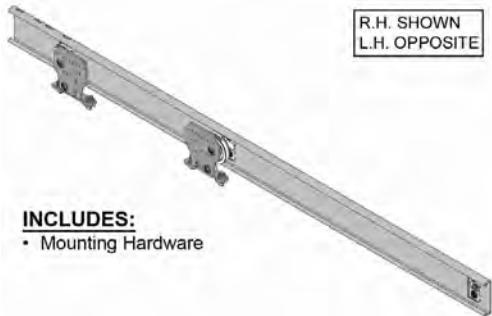
DOOR EQUIPMENT

Hatch Door Hanger Assemblies

Single Speed

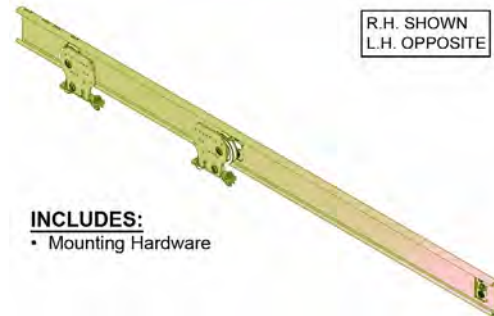
Hatch Door Hanger Assemblies

Conventional - Type "A"



- INCLUDES:**
- Mounting Hardware

Water Resistant - Type "AW"



- INCLUDES:**
- Mounting Hardware

All hatch hangers come with top safety retainers

Minimum header pocket height: 7" (Standard)

Header pocket height: 6 1/2" – 6 7/8" (Preinstall Lock)

Part No.	S/S	Track Length	List Price
HH1-0096N	22"-24"	46"	\$94.00
HH1-0097N	25"-27"	52"	\$94.00
HH1-0098N	28"-30"	58"	\$94.00
HH1-0099N	31"-33"	64"	\$94.00
HH1-0100N	34"-36"	70"	\$94.00
HH1-0101N	37"-39"	76"	\$94.00
HH1-0102N	40"-42"	82"	\$94.00
HH1-0103N	43"-45"	88"	\$150.00
HH1-0104N	46"-48"	94"	\$150.00

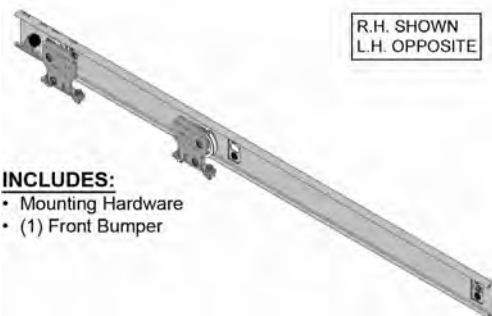
All hatch hangers come with top safety retainers

Water resistant hatch hangers are yellow zinc dichromate plated

Minimum header pocket height: 6 1/2" (Standard)

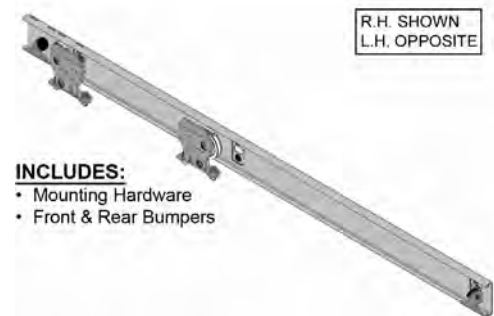
Part No.	S/S	Track Length	List Price
HH19-0001N*	22"-24"	46"	\$188.00
HH19-0002N*	25"-27"	52"	\$188.00
HH19-0003N*	28"-30"	58"	\$188.00
HH19-0004N*	31"-33"	64"	\$188.00
HH19-0005N*	34"-36"	70"	\$188.00
HH19-0006N*	37"-39"	76"	\$188.00
HH19-0007N*	40"-42"	82"	\$188.00
HH19-0008N*	43"-45"	88"	\$299.00
HH19-0009N*	46"-48"	94"	\$299.00

Vandal Resistant - Type "HA"



- INCLUDES:**
- Mounting Hardware
 - (1) Front Bumper

Vandal Resistant - Type "NYC HA"



- INCLUDES:**
- Mounting Hardware
 - Front & Rear Bumpers

All hatch hangers come with top safety retainers

• Minimum header pocket height: 6 1/2" (Standard)

All hatch hangers come with top safety retainers

• Minimum header pocket height: 6 1/2" (Standard)

Vandal Resistant - Type "HA"

Part No.	S/S	Track Length	List Price
HH13-0001L/R*	24"	48"	\$182.00
HH13-0002L/R*	25"	52"	\$182.00
HH13-0003L/R*	26"	52"	\$182.00
HH13-0004L/R*	27"	54"	\$182.00
HH13-0005L/R*	28"	58"	\$182.00
HH13-0006L/R*	29"	58"	\$182.00
HH13-0007L/R*	30"	60"	\$182.00
HH13-0008L/R*	31"	64"	\$182.00
HH13-0009L/R*	32"	64"	\$182.00

Part No.	S/S	Track Length	List Price
HH13-0010L/R*	33"	65"	\$182.00
HH13-0012L/R*	35"	70"	\$182.00
HH13-0011L/R*	36"	70"	\$182.00
HH13-0013L/R*	37"	72"	\$182.00
HH13-0014L/R*	38"	76"	\$182.00
HH13-0015L/R*	39"	76"	\$182.00
HH13-0016L/R*	40"	82"	\$182.00
HH13-0017L/R*	41"	82"	\$182.00
HH13-0018L/R*	42"	82"	\$182.00

DOOR EQUIPMENT

Hatch Door Hanger Assemblies

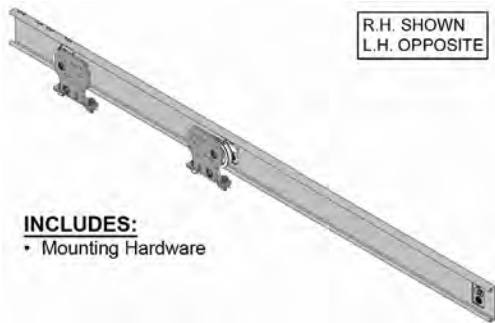
Single Speed

Hatch Door Hanger
Assemblies

Vandal Resistant - Type "NYC HA"

Part No.	S/S	Track Length	List Price	Part No.	S/S	Track Length	List Price
HH13-0025L/R*	30"	60"	\$205.00	HH13-0032L/R*	37"	72"	\$205.00
HH13-0026L/R*	31"	64"	\$205.00	HH13-0033L/R*	38"	76"	\$205.00
HH13-0027L/R*	32"	64"	\$205.00	HH13-0034L/R*	39"	76"	\$205.00
HH13-0028L/R*	33"	66"	\$205.00	HH13-0035L/R*	40"	82"	\$205.00
HH13-0029L/R*	34"	70"	\$205.00	HH13-0036L/R*	41"	82"	\$205.00
HH13-0030L/R*	35"	70"	\$205.00	HH13-0037L/R*	42"	82"	\$205.00
HH13-0031L/R*	36"	70"	\$205.00				

Dust/Explosion Resistant - Type "AX"



R.H. SHOWN
L.H. OPPOSITE

All hatch hangers come with top safety retainers

Note: Dust/Explosion single speed hatch hangers are the same as the conventional type "A" hanger.

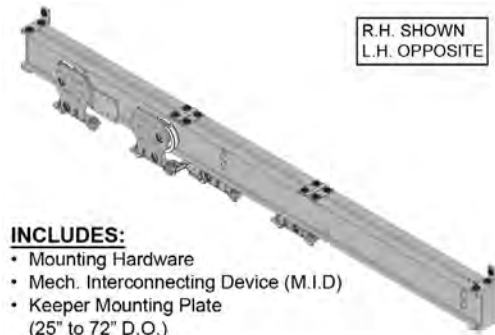
Refer to Conventional Type "A" Single Speed Table.

INCLUDES:

- Mounting Hardware

Two Speed (Ungeared)

Conventional - Type "A"



R.H. SHOWN
L.H. OPPOSITE

All hatch hangers come with top safety retainers

- Minimum header pocket height: 7 1/2" (Standard)
- Works with 2/SP spring closer or manual door closer

INCLUDES:

- Mounting Hardware
- Mech. Interconnecting Device (M.I.D)
- Keeper Mounting Plate (25" to 72" D.O.)

Part No.	2/SP	Track Length	MID* Set	List Price
HH2-0180L/R*	24"	40"	"C"	\$284.00
HH2-0181L/R*	25"	41"	"C"	\$284.00
HH2-0182L/R*	26"	42"	"C"	\$284.00
HH2-0183L/R*	27"	44"	"C"	\$284.00
HH2-0184L/R*	28"	45"	"C"	\$284.00
HH2-0185L/R*	29"	46"	"B"	\$284.00
HH2-0156L/R	30"	46"	"B"	\$207.00
HH2-0157L/R	31"-32"	48"	"A"	\$207.00
HH2-0158L/R	33"-34"	52"	"B"	\$207.00
HH2-0159L/R	35"-36"	54"	"A"	\$207.00
HH2-0160L/R	37"-38"	58"	"B"	\$207.00
HH2-0161L/R	39"-40"	60"	"A"	\$207.00
HH2-0162L/R	41"-42"	64"	"B"	\$207.00
HH2-0163L/R	43"-44"	66"	"A"	\$207.00
HH2-0164L/R	45"-46"	70"	"B"	\$207.00
HH2-0165L/R	47"-48"	72"	"A"	\$207.00
HH2-0166L/R	49"-52"	76"	"D"	\$262.00
HH2-0167L/R	53"-56"	82"	"D"	\$262.00
HH2-0168L/R	57"-60"	88"	"D"	\$262.00
HH2-0169L/R	61"-64"	94"	"D"	\$262.00
HH2-0170L/R	65"-68"	100"	"D"	\$318.00
HH2-0171L/R	69"-72"	106"	"D"	\$318.00

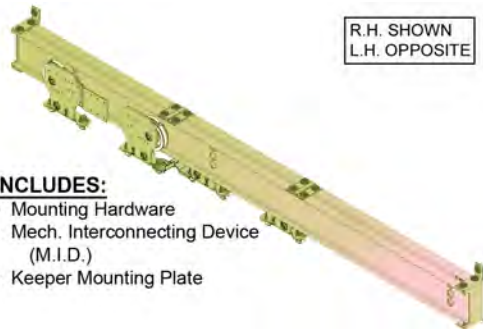
DOOR EQUIPMENT

Hatch Door Hanger Assemblies

Two Speed (Ung geared)

Hatch Door Hanger Assemblies

Water Resistant - Type "AW"



INCLUDES:

- Mounting Hardware
- Mech. Interconnecting Device (M.I.D.)
- Keeper Mounting Plate

All hatch hangers come with top safety retainers

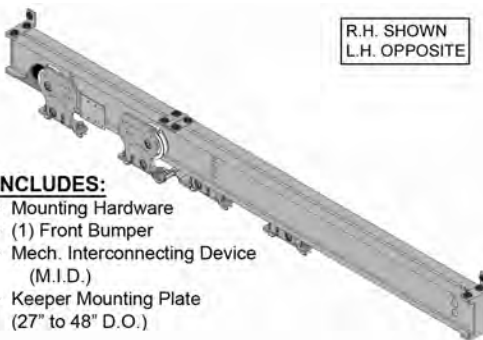
Water resistant hatch hangers are yellow zinc dichromate plated

Minimum header pocket height: 7 1/2" (Standard)

Works with 2/SP spring closer or manual door closer

Part No.	2/SP	Track Length	MID* Set	List Price
HH20-0001L/R*	24"	40"	"C"	\$567.00
HH20-0002L/R*	25"	41"	"C"	\$567.00
HH20-0003L/R*	26"	42"	"C"	\$567.00
HH20-0004L/R*	27"	44"	"C"	\$567.00
HH20-0005L/R*	28"	45"	"C"	\$567.00
HH20-0006L/R*	29"	46"	"B"	\$567.00
HH20-0007L/R*	30"	46"	"B"	\$413.00
HH20-0008L/R*	31"-32"	48"	"A"	\$413.00
HH20-0009L/R*	33"-34"	52"	"B"	\$413.00
HH20-0010L/R*	35"-36"	54"	"A"	\$413.00
HH20-0011L/R*	37"-38"	58"	"B"	\$413.00
HH20-0012L/R*	39"-40"	60"	"A"	\$413.00
HH20-0013L/R*	41"-42"	64"	"B"	\$413.00
HH20-0014L/R*	43"-44"	66"	"A"	\$413.00
HH20-0015L/R*	45"-46"	70"	"B"	\$413.00
HH20-0016L/R*	47"-48"	70"	"A"	\$413.00
HH20-0017L/R*	49"-52"	76"	"D"	\$524.00
HH20-0018L/R*	53"-56"	82"	"D"	\$524.00
HH20-0019L/R*	57"-60"	82"	"D"	\$524.00
HH20-0020L/R*	61"-64"	94"	"D"	\$524.00
HH20-0021L/R*	65"-68"	100"	"D"	\$635.00
HH20-0022L/R*	69"-72"	106"	"D"	\$635.00

Vandal Resistant - Type "HA"



INCLUDES:

- Mounting Hardware
- (1) Front Bumper
- Mech. Interconnecting Device (M.I.D.)
- Keeper Mounting Plate (27" to 48" D.O.)

All hatch hangers come with top safety retainers

• Minimum header pocket height: 7 1/2" (Standard)

• Works with 2/SP spring closers

Part No.	2/SP	Track Length	MID* Set	List Price
HH14-0001L/R*	24"	41"	"C"	\$401.00
HH14-0002L/R*	25"	42"	"C"	\$401.00
HH14-0003L/R*	26"	43"	"C"	\$401.00
HH14-0004L/R*	27"	45"	"C"	\$401.00
HH14-0005L/R*	28"	46"	"C"	\$401.00
HH14-0006L/R*	29"	47"	"B"	\$401.00
HH14-0007L/R*	30"	46"	"B"	\$324.00
HH14-0008L/R*	31"-32"	48"	"A"	\$324.00
HH14-0009L/R*	33"-34"	52"	"B"	\$324.00
HH14-0010L/R*	35"-36"	54"	"A"	\$324.00
HH14-0011L/R*	37"-38"	58"	"B"	\$324.00
HH14-0012L/R*	39"-40"	60"	"A"	\$324.00
HH14-0013L/R*	41"-42"	64"	"B"	\$324.00
HH14-0014L/R*	43"-44"	66"	"A"	\$324.00
HH14-0015L/R*	45"-46"	70"	"B"	\$324.00
HH14-0016L/R*	47"-48"	72"	"A"	\$324.00

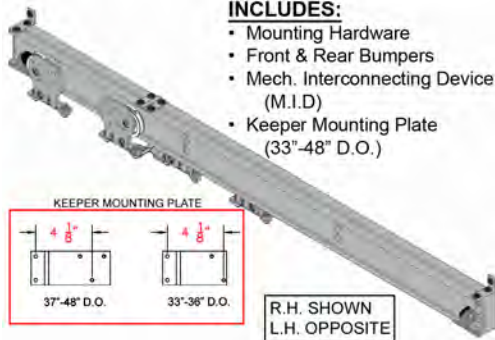
DOOR EQUIPMENT

Hatch Door Hanger Assemblies

Two Speed (Ungeared)

Hatch Door Hanger Assemblies

Vandal Resistant - Type "NYC HA"



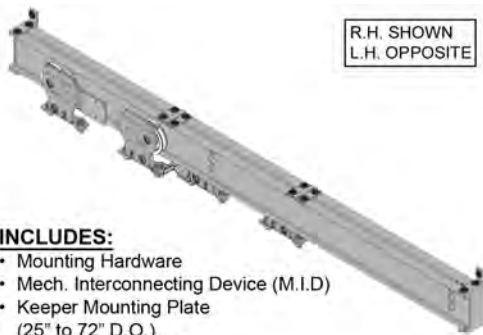
- INCLUDES:**
- Mounting Hardware
 - Front & Rear Bumpers
 - Mech. Interconnecting Device (M.I.D)
 - Keeper Mounting Plate (33"-48" D.O.)

All hatch hangers come with top safety retainers

- Minimum header pocket height: 7 1/2" (Standard)
- Works with 2/SP spring closer

Part No.	2/SP	Track Length	MID* Set	List Price
HH14-0017L/R*	30"	60"	"B"	\$347.00
HH14-0018L/R*	31"	47"	"A"	\$347.00
HH14-0019L/R*	32"	49"	"A"	\$347.00
HH14-0020L/R*	33"	53"	"B"	\$347.00
HH14-0021L/R*	34"	53"	"B"	\$347.00
HH14-0022L/R*	35"	55"	"A"	\$347.00
HH14-0023L/R*	36"	55"	"A"	\$347.00
HH14-0024L/R*	37"	59"	"B"	\$347.00
HH14-0025L/R*	38"	59"	"B"	\$347.00
HH14-0026L/R*	39"	61"	"A"	\$347.00
HH14-0027L/R*	40"	61"	"A"	\$347.00
HH14-0028L/R*	41"	65"	"B"	\$347.00
HH14-0029L/R*	42"	65"	"B"	\$347.00
HH14-0030L/R*	43"	67"	"A"	\$347.00
HH14-0031L/R*	44"	67"	"A"	\$347.00
HH14-0032L/R*	45"	71"	"B"	\$347.00
HH14-0033L/R*	46"	71"	"B"	\$347.00
HH14-0034L/R*	47"	73"	"A"	\$347.00
HH14-0035L/R*	48"	73"	"A"	\$347.00

Dust/Explosion Resistant - Type "A"



- INCLUDES:**
- Mounting Hardware
 - Mech. Interconnecting Device (M.I.D)
 - Keeper Mounting Plate (25" to 72" D.O.)

All hatch hangers come with top safety retainers

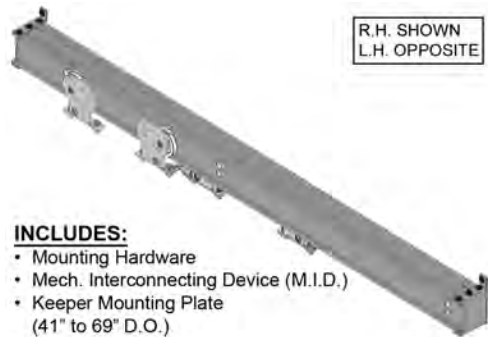
Note: Dust/Explosion two speed (ungeared) hatch hangers are the same as the conventional type "A" hanger. Refer to Conventional Type "A" Two Speed (Ungeared) Table.

DOOR EQUIPMENT

Hatch Door Hanger Assemblies

Three Speed (Ung geared)

Hatch Door Hanger Assemblies



Conventional - Type "A"

All hatch hangers come with top safety retainers

Minimum header pocket height: 7 1/2" (Standard)

Works with 3/SP spring closer or manual door closer

Header pocket height: 6 1/2" – 7 7/16" (End bracket ears cut off and preinstall lock)

INCLUDES:

- Mounting Hardware
- Mech. Interconnecting Device (M.I.D.)
- Keeper Mounting Plate (41" to 69" D.O.)

Part No.	3/SP	Track Length	MID* Set	List Price
HH9-0001L/R*	30"	45"	"D"	\$404.00
HH9-0002L/R*	31"	46"	"D"	\$404.00
HH9-0003L/R*	32"	47"	"D"	\$404.00
HH9-0004L/R*	33"	48"	"D"	\$404.00
HH9-0005L/R*	34"	49"	"D"	\$404.00
HH9-0006L/R*	35"	50"	"D"	\$404.00
HH9-0007L/R*	36"	51"	"D"	\$404.00
HH9-0008L/R*	37"	52"	"D"	\$404.00
HH9-0009L/R*	38"	53"	"D"	\$404.00
HH9-0010L/R*	39"	54"	"D"	\$404.00
HH9-0011L/R*	40"	55"	"D"	\$404.00
HH9-0012L/R*	41"	58"	"D"	\$404.00
HH9-0013L/R*	42"	59"	"D"	\$404.00
HH9-0014L/R*	43"	60"	"D"	\$404.00
HH9-0015L/R*	44"	61"	"D"	\$404.00
HH9-0016L/R*	45"	62"	"D"	\$404.00
HH9-0017L/R*	46"	63"	"D"	\$404.00
HH9-0018L/R*	47"	66"	"D"	\$404.00
HH9-0019L/R*	48"	67"	"D"	\$404.00
HH9-0020L/R*	49"	68"	"D"	\$576.00

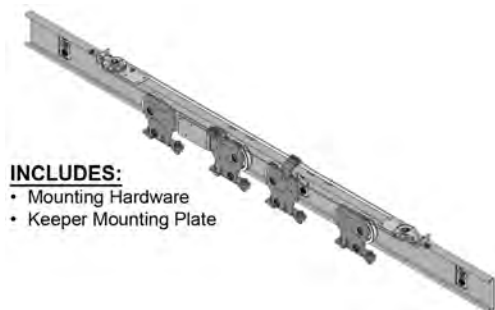
Part No.	3/SP	Track Length	MID* Set	List Price
HH9-0021L/R*	50"	69"	"D"	\$576.00
HH9-0022L/R*	51"	70"	"D"	\$576.00
HH9-0023L/R*	52"	71"	"D"	\$576.00
HH9-0024L/R*	53"	74"	"D"	\$576.00
HH9-0025L/R*	54"	75"	"D"	\$576.00
HH9-0026L/R*	55"	76"	"D"	\$576.00
HH9-0027L/R*	56"	77"	"D"	\$576.00
HH9-0028L/R*	57"	78"	"D"	\$576.00
HH9-0029L/R*	58"	79"	"D"	\$576.00
HH9-0030L/R*	59"	82"	"D"	\$576.00
HH9-0031L/R*	60"	83"	"D"	\$715.00
HH9-0032L/R*	61"	84"	"D"	\$715.00
HH9-0033L/R*	62"	85"	"D"	\$715.00
HH9-0034L/R*	63"	86"	"D"	\$715.00
HH9-0035L/R*	64"	87"	"D"	\$715.00
HH9-0036L/R*	65"	90"	"D"	\$715.00
HH9-0037L/R*	66"	91"	"D"	\$715.00
HH9-0038L/R*	67"	92"	"D"	\$715.00
HH9-0039L/R*	68"	93"	"D"	\$715.00
HH9-0040L/R*	69"	94"	"D"	\$715.00

Center Parting (Geared)

Conventional - Type "A"

All hatch hangers come with top safety retainers

Minimum header pocket height: 7 1/4" (Standard)



INCLUDES:

- Mounting Hardware
- Keeper Mounting Plate

Part No.	C/P	Track Length	List Price
HH3-0049N	30"-32"	64"	\$213.00
HH3-0050N	33"-35"	70"	\$213.00
HH3-0051N	36"-38"	76"	\$213.00
HH3-0052N	39"-41"	82"	\$213.00
HH3-0053N	42"-44"	88"	\$213.00
HH3-0054N	45"-47"	94"	\$213.00
HH3-0055N	48"-50"	100"	\$213.00
HH3-0056N	51"-56"	106"	\$268.00
HH3-0057N	57"-59"	112"	\$268.00

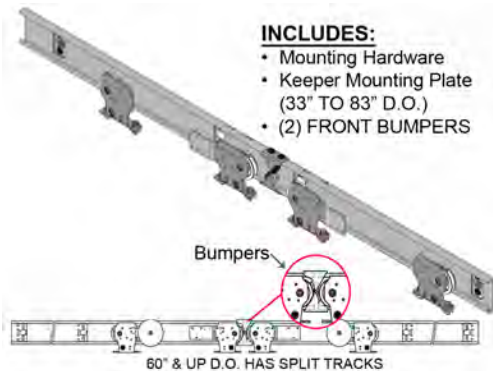
DOOR EQUIPMENT

Hatch Door Hanger Assemblies

Center Parting (Ungeared)

Hatch Door Hanger Assemblies

Conventional - Type "A"



INCLUDES:

- Mounting Hardware
- Keeper Mounting Plate (33" TO 83" D.O.)
- (2) FRONT BUMPERS

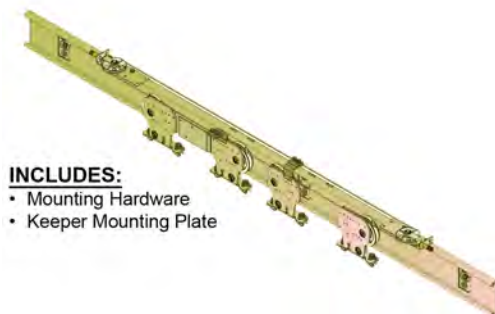
All hatch hangers come with top safety retainers

- Minimum header pocket height: 6 7/8" (Standard)
- Header pocket height: 6 3/4" (Preinstalled Lock)

Part No.	C/P	Track Length	List Price
HH3-0106N*	30"-32"	64"	\$213.00
HH3-0107N*	33"-35"	70"	\$213.00
HH3-0108N*	36"-38"	76"	\$213.00
HH3-0109N*	39"-41"	82"	\$213.00
HH3-0110N*	42"-44"	88"	\$213.00
HH3-0111N*	45"-47"	94"	\$213.00
HH3-0112N*	48"-50"	100"	\$213.00
HH3-0113N*	51"-53"	106"	\$268.00
HH3-0114N*	54"-56"	106"	\$268.00
HH3-0115N*	57"-59"	112"	\$268.00
HH3-0116N*	60"-62"	116.5" (Split)	\$324.00
HH3-0117N*	63"-68"	128.5" (Split)	\$324.00
HH3-0118N*	69"-74"	140.5" (Split)	\$379.00
HH3-0119N*	75"-80"	152.5" (Split)	\$379.00
HH3-0120N*	81"-83"	164.5" (Split)	\$379.00

Center Parting (Geared)

Water Resistant - Type "AW"



INCLUDES:

- Mounting Hardware
- Keeper Mounting Plate

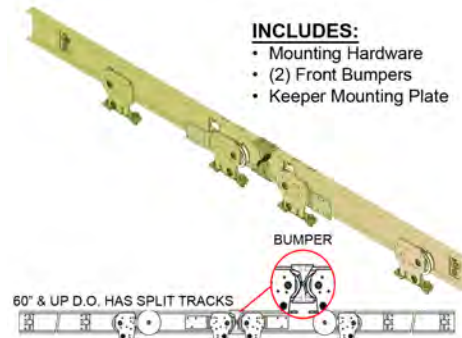
All hatch hangers come with top safety retainers

- Water resistant hatch hangers are yellow zinc dichromate plated
- Minimum header pocket height: 7 1/4" (Standard)

Part No.	C/P	Track Length	List Price
HH21-0015N*	30"-32"	64"	\$426.00
HH21-0016N*	33"-35"	70"	\$426.00
HH21-0017N*	36"-38"	76"	\$426.00
HH21-0018N*	39"-41"	82"	\$426.00
HH21-0019N*	42"-44"	88"	\$426.00
HH21-0020N*	45"-47"	94"	\$426.00
HH21-0021N*	48"-50"	100"	\$426.00
HH21-0022N*	51"-56"	106"	\$536.00
HH21-0023N*	57"-59"	112"	\$536.00

Center Parting (Ungeared)

Water Resistant - Type "AW"



INCLUDES:

- Mounting Hardware
- (2) Front Bumpers
- Keeper Mounting Plate

All hatch hangers come with top safety retainers

- Minimum header pocket height: 6 7/8" (Standard)
- Header pocket height: 6 3/4" (Preinstalled Lock)

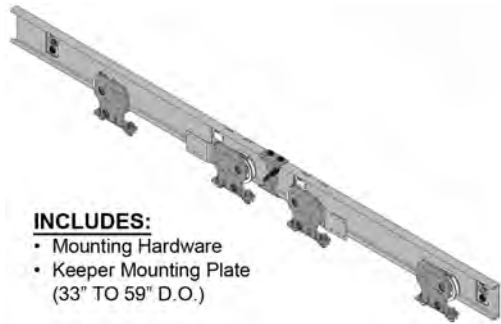
Part No.	C/P	Track Length	List Price
HH21-0001N*	30"-32"	64"	\$426.00
HH21-0002N*	33"-35"	70"	\$426.00
HH21-0003N*	36"-38"	76"	\$426.00
HH21-0004N*	39"-41"	82"	\$426.00
HH21-0005N*	42"-44"	88"	\$426.00
HH21-0006N*	45"-47"	94"	\$426.00
HH21-0007N*	48"-50"	100"	\$426.00
HH21-0008N*	51"-56"	106"	\$536.00
HH21-0009N*	57"-59"	112"	\$536.00
HH21-0010N*	60"-62"	116.5" (Split)	\$647.00
HH21-0011N*	63"-68"	128.5" (Split)	\$647.00
HH21-0012N*	69"-74"	140.5" (Split)	\$758.00
HH21-0013N*	75"-80"	152.5" (Split)	\$758.00
HH21-0014N*	81"-83"	164.5" (Split)	\$758.00

DOOR EQUIPMENT

Hatch Door Hanger Assemblies

Center Parting (Ung geared)

Dust/Explosion Resistant - Type "AX"



INCLUDES:

- Mounting Hardware
- Keeper Mounting Plate (33" TO 59" D.O.)

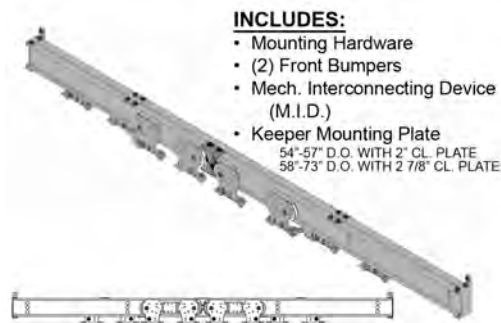
All hatch hangers come with top safety retainers

- Minimum header pocket height: 6 7/8" (Standard)
- Header pocket height: 6 3/4" (Preinstalled Lock)

Part No.	C/P	Track Length	List Price
HH3-0157N*	30"-32"	64"	\$250.00
HH3-0158N*	33"-35"	70"	\$250.00
HH3-0159N*	36"-38"	76"	\$250.00
HH3-0160N*	39"-41"	82"	\$250.00
HH3-0161N*	42"-44"	88"	\$250.00
HH3-0162N*	45"-47"	94"	\$250.00
HH3-0163N*	48"-50"	100"	\$250.00
HH3-0164N*	51"-56"	106"	\$305.00
HH3-0165N*	57"-59"	112"	\$305.00

Two Speed Center Parting (Ung geared)

Conventional - Type "A"



INCLUDES:

- Mounting Hardware
- (2) Front Bumpers
- Mech. Interconnecting Device (M.I.D.)
- Keeper Mounting Plate
54"-67" D.O. WITH 2" CL. PLATE
58"-73" D.O. WITH 2 7/8" CL. PLATE

All hatch hangers come with top safety retainers

- Minimum header pocket height: 7 1/2" (Standard)
- Works with 2/SP spring closers

Part No.	2SP/CP	Track Length	MID* Set	List Price
HH4-0120N*	32"	58"	"C"	\$462.00
HH4-0019N*	33"-35"	61"	"C"	\$462.00
HH4-0020N*	36"-38"	64"	"C"	\$462.00
HH4-0021N*	39"-41"	67"	"C"	\$462.00
HH4-0022N*	42"-44"	70"	"C"	\$462.00
HH4-0023N*	45"-47"	73"	"C"	\$462.00
HH4-0024N*	48"-49"	76"	"C"	\$462.00
HH4-0025N*	50"-51"	79"	"C"	\$462.00
HH4-0026N*	52"-53"	82"	"C"	\$462.00
HH4-0027N*	54"-55"	85"	"C"	\$462.00
HH4-0028N*	56"-57"	88"	"C"	\$462.00
HH4-0029N*	58"-59"	91"	"C"	\$462.00
HH4-0030N*	60"-61"	94"	"C"	\$518.00
HH4-0031N*	62"-63"	97"	"C"	\$518.00
HH4-0032N*	64"-65"	100"	"C"	\$518.00
HH4-0033N*	66"-67"	103"	"C"	\$518.00
HH4-0034N*	68"-69"	106"	"C"	\$518.00
HH4-0035N*	70"-71"	109"	"C"	\$573.00
HH4-0036N*	72"-73"	112"	"C"	\$573.00

DOOR EQUIPMENT

Hatch Door Hanger Assemblies

Two Speed Center Parting (Ungeared)

Hatch Door Hanger Assemblies

Water Resistant - Type "AW"

INCLUDES:

- Mounting Hardware
- (2) Front Bumpers
- Mech. Interconnecting Device (M.I.D)
- Keeper Mounting Plate
54"-57" D.O. WITH 2" CL. PLATE
58"-73" D.O. WITH 2 7/8" CL. PLATE

All hatch hangers come with top safety retainers

Water resistant hatch hangers are yellow zinc dichromate plated

Minimum header pocket height: 7 1/2" (Standard)

Works with 2/SP spring closer or manual door closer



Part No.	2SP/CP	Track Length	MID* Set	List Price
HH22-0019N*	33"-35"	61"	"C"	\$924.00
HH22-0020N*	36"-38"	64"	"C"	\$924.00
HH22-0021N*	39"-41"	67"	"C"	\$924.00
HH22-0022N*	42"-44"	70"	"C"	\$924.00
HH22-0023N*	45"-47"	73"	"C"	\$924.00
HH22-0024N*	48"-49"	76"	"C"	\$924.00
HH22-0025N*	50"-51"	79"	"C"	\$924.00
HH22-0026N*	52"-53"	82"	"C"	\$924.00
HH22-0027N*	54"-55"	85"	"C"	\$924.00
HH22-0028N*	56"-57"	88"	"C"	\$924.00
HH22-0029N*	58"-59"	91"	"C"	\$924.00
HH22-0030N*	60"-61"	94"	"C"	\$1,035.00
HH22-0031N*	62"-63"	97"	"C"	\$1,035.00
HH22-0032N*	64"-65"	100"	"C"	\$1,035.00
HH22-0033N*	66"-67"	103"	"C"	\$1,035.00
HH22-0034N*	68"-69"	106"	"C"	\$1,035.00
HH22-0035N*	70"-71"	109"	"C"	\$1,035.00
HH22-0036N*	72"-73"	112"	"C"	\$1,035.00

Part No.	2SP/CP	Track Length	MID* Set	List Price
HH22-0001N*	33"-35"	61"	"C"	\$924.00
HH22-0002N*	36"-38"	64"	"C"	\$924.00
HH22-0003N*	39"-41"	67"	"C"	\$924.00
HH22-0004N*	42"-44"	70"	"C"	\$924.00
HH22-0005N*	45"-47"	73"	"C"	\$924.00
HH22-0006N*	48"-49"	76"	"C"	\$924.00
HH22-0007N*	50"-51"	79"	"C"	\$924.00
HH22-0008N*	52"-53"	82"	"C"	\$924.00
HH22-0009N*	54"-55"	85"	"C"	\$924.00
HH22-0010N*	56"-57"	88"	"C"	\$924.00
HH22-0011N*	58"-59"	91"	"C"	\$924.00
HH22-0012N*	60"-61"	94"	"C"	\$1,035.00
HH22-0013N*	62"-63"	97"	"C"	\$1,035.00
HH22-0014N*	64"-65"	100"	"C"	\$1,035.00
HH22-0015N*	66"-67"	103"	"C"	\$1,035.00
HH22-0016N*	68"-69"	106"	"C"	\$1,035.00
HH22-0017N*	70"-71"	109"	"C"	\$1,146.00
HH22-0018N*	72"-73"	112"	"C"	\$1,146.00

DOOR EQUIPMENT

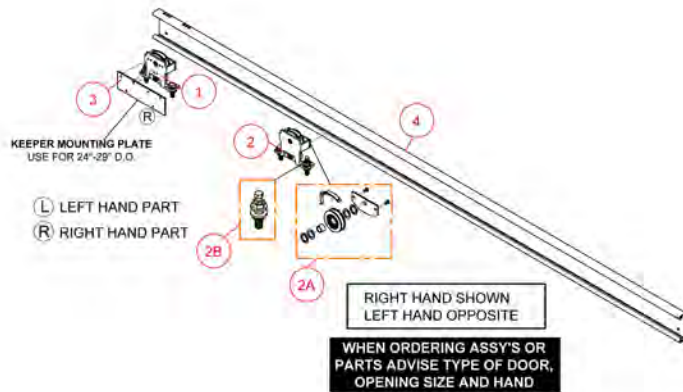
Hatch Hanger Isometric Drawing

Old Style

"OS" Hangers

Single Speed

24"-44" Door Opening

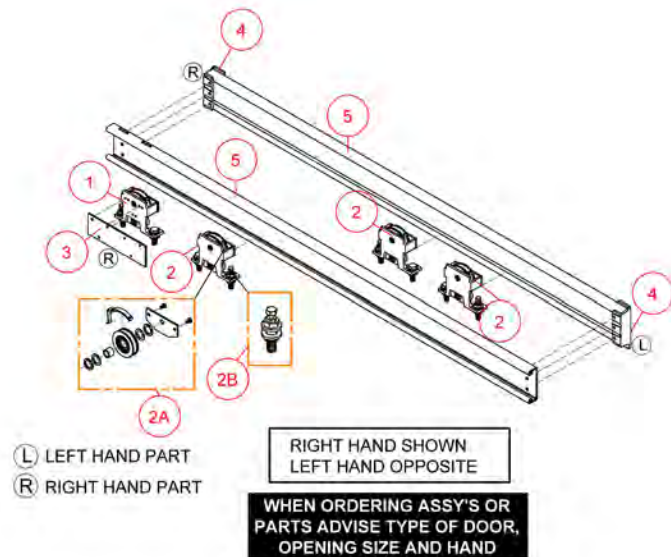


Part No.	Item No	Description
HH10-0035N	1	Sheave, Type "OS" 2 1/4 Roller w/ Top Safety Retainers Arranged For Reel Closer & MO Drillings (Page# 223)
HH10-0036N	2	Sheave, Type "OS" 2 1/4 Roller w/ Top Safety Retainers (Page# 223)
HH10-0041N	2A	Roller Kit, 2-1/4 Dia Type "OS" (Page# 224)
HH10-0045N	2B	Retainer Assembly, Type "OS" Top Safety, 3/8-16 X 1 1/2" Lg Bolt-With 10-32 Screw (Page# 225)
INT1H-0132L/R	3	Plate, MO Keeper Mounting "OS" (Page# 371-Interlock Section)
HH10-XXXXX	4	Track, Old Style (Page# 232)

Mounting hardware included with this hanger assembly (Page# 244-245)

Two Speed

24"-29" Door Opening



Part No.	Item No	Description
HH10-0035N	1	Sheave, Type "OS" 2 1/4 Roller w/ Top Safety Retainers Arranged For Reel Closer & MO Drillings (Page# 223)
HH10-0036N	2	Sheave, Type "OS" 2 1/4 Roller w/ Top Safety Retainers (Page# 223)
HH10-0041N	2A	Roller Kit, 2-1/4 Dia Type "OS" (Page# 224)
HH10-0045N	2B	Retainer Assembly, Type "OS" Top Safety, 3/8-16 X 1 1/2" Lg Bolt-With 10-32 (Page# 225)
INT1H-0132L/R	3	Plate, MO Keeper Mounting "OS" (Page# 371-Interlock Section)
HH11-0061L/R	4	Bracket, Type "OS" Track End, Ear Cut Off (Page# 236)
HH10-XXXXX	5	Track, Old Style (Page# 232)

Mounting hardware included with this hanger assembly (Page# 244-245)

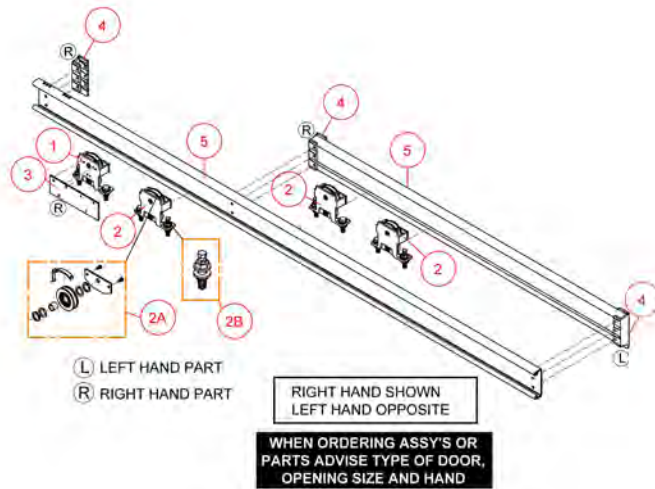
DOOR EQUIPMENT

Hatch Hanger Isometric Drawing

Old Style

"OS" Hangers

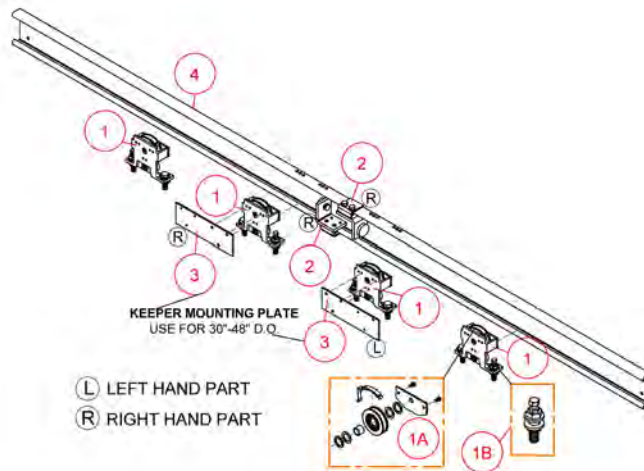
Two Speed
30"-48" Door Opening



Part No.	Item No	Description
HH10-0035N	1	Sheave, Type "OS" 2 1/4 Roller With Top Safety Retainers Arranged For Reel Closer & MO Drillings (Page# 223)
HH10-0036N	2	Sheave, Type "OS" 2 1/4 Roller With Top Safety Retainers (Page# 223)
HH10-0041N	2A	Roller Kit, 2-1/4 Dia Type "OS" (Page# 224)
HH10-0045N	2B	Retainer Assembly, Type "OS" Top Safety, 3/8-16 X 1 1/2" Lg Bolt-With 10-32 Screw (Page# 225)
INT1H-0132L/R	3	Plate, MO Keeper Mounting "OS" (Page# 371-Interlock Section)
HH11-0061L/R	4	Bracket, Type "OS" Track End, Ear Cut Off (Page# 236)
HH10-XXXXX	5	Track, Old Style (Page# 232)

Mounting hardware included with this hanger assembly (Page# 244-245)

Center Parting
30"-59" Door Opening



Part No.	Item No	Description
HH10-0035N	1	Sheave, Type "OS" 2 1/4 Roller With Top Safety Retainers Arranged For Reel Closer & MO Drillings (Page# 223)
HH10-0041N	1A	Roller Kit, 2-1/4 Dia Type "OS" (Page# 224)
HH10-0045N	1B	Retainer Assembly, Type "OS" Top Safety, 3/8-16 X 1 1/2" Lg Bolt-With 10-32 Screw (Page# 225)
HH12-0094L/R	2	Bumper, Type "OS" CP Stop (Page# 236)
INT1H-0132L/R	3	Plate, MO Keeper Mounting "OS" (Page# 371-Interlock Section)
HH10-XXXXX	4	Track, Old Style (Page# 232)

Mounting hardware included with this hanger assembly (Page# 244-245)

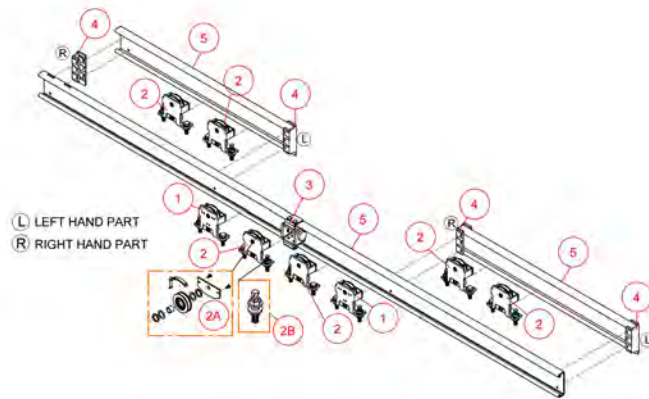
DOOR EQUIPMENT

Hatch Hanger Isometric Drawing

Old Style

Two Speed Center Parting (Ung geared)

30"-109" Door Opening

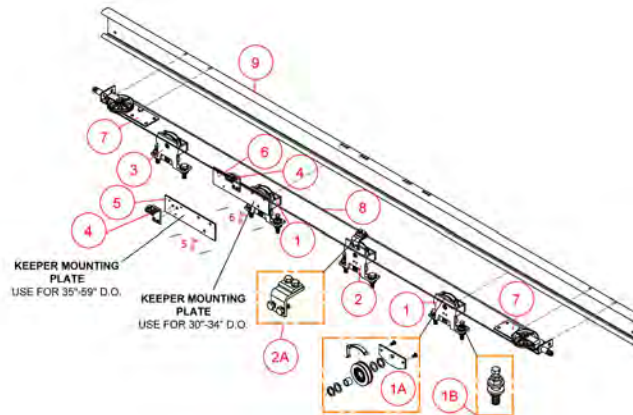


Part No.	Item No	Description
HH10-0035N	1	Sheave, Type "OS" 2 1/4 Roller With Top Safety Retainers Arranged For Reel Closer & MO Drillings (Page# 223)
HH10-0036N	2	Sheave, Type "OS" 2 1/4 Roller With Top Safety Retainers (Page# 223)
HH10-0041N	2A	Roller Kit, 2-1/4 Dia Type "OS" (Page# 224)
HH10-0045N	2B	Retainer Assembly, Type "OS" Top Safety, 3/8-16 X 1 1/2" Lg Bolt-With 10-32 Screw (Page# 225)
HH12-0094L/R	3	Bumper, Type "OS" CP Stop (Page# 236)
HH11-0061L/R	4	Bracket, Type "OS" Track End, Ear Cut Off (Page# 236)
HH10-XXXXX	5	Track, Old Style (Page# 232)

Mounting hardware included with this hanger assembly (Page# 244-245)

Center Parting (Geared)

30"-59" Door Opening



Part No.	Item No	Description
HH10-0035N	1	Sheave, Type "OS" 2 1/4 Roller With Top Safety Retainers Arranged For Reel Closer & MO Drillings (Page# 223)
HH10-0041N	1A	Roller Kit, 2-1/4 Dia Type "OS" (Page# 224)
HH10-0045N	1B	Retainer Assembly, Type "OS" Top Safety, 3/8-16 X 1 1/2" Lg Bolt-With 10-32 Screw (Page# 225)
HH12-0091N	2	Sheave, "OS" 2 1/4" Roller Geared Hanger With Top Safety Retainers (Page# 223)
HH12-0093N	2A	Clamp, Type "OS" Sheave Cable Assembly (Page# 213)
HH10-0036N	3	Sheave, Type "OS" 2 1/4 Roller With Top Safety Retainers (Page# 223)

Part No.	Item No	Description
HH12-0092N	4	Clamp, Type "OS" Gearing Cable Assembly (Page# 213)
INT2H-0030N	5	Plate, MO Keeper Mounting "OS", 8 3/16" X 2 1/2" X #11 Gauge C/P Hatch - 35-59 D.O. (Page# 371-Interlock Section)
INT2H-0029N	6	Plate, MO Keeper Mounting "OS", 9 3/16" X 2 1/2" X #11 Gauge C/P Hatch - 30-34 D.O. (Page# 371-Interlock Section)
HH3-0042L/R	7	Pulley Assembly, CP Nylon Tension (Replacement) (Page# 211)
HH3-XXXXX	8	Gearing Cable (Page# 212)
HH10-XXXXX	9	Track, Old Style (Page# 232)

Mounting hardware included with this hanger assembly (Page# 244-245)

DOOR EQUIPMENT

Hatch Door Hanger Assemblies

Type: 2 1/4" Old Style Hangers

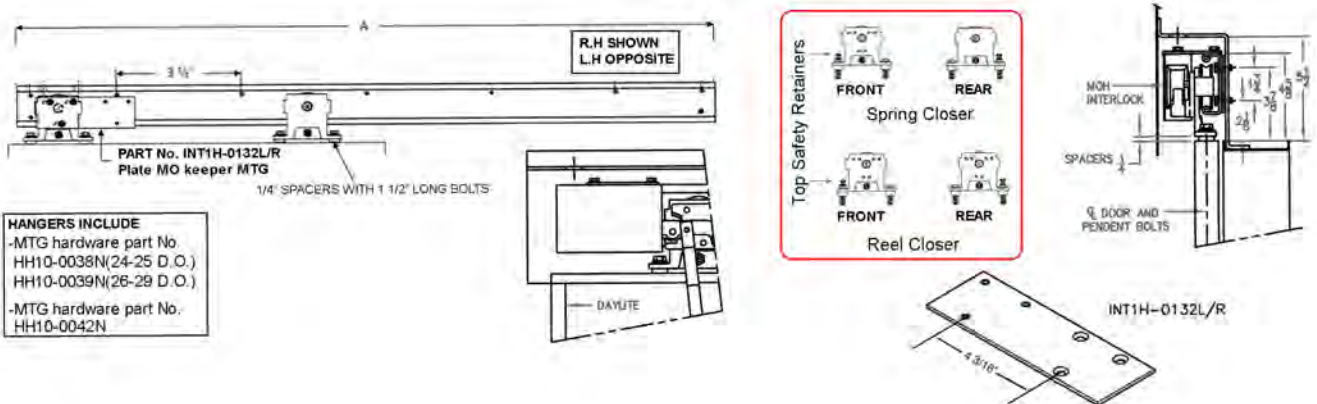
"OS" Hangers

2 1/4" Old Style Hatch Door Hangers

Important notes:

- When ordering *Old Style Hatch Hangers*, a field survey is required. G.A.L. must be advised of the existing header pocket above door, door opening width, if spring or reel closers are used or needed.
- All *Old Style Hatch Hangers* include, top safety retainers, mechanical interconnecting devices, keeper mounting plates when required, and mounting hardware.
- *Old Style Hatch Hangers* have 3 1/4" high tracks and sheave assembly with 2 1/4" Dia. Rollers. Standard sheave assemblies have 4 1/8" C.L., 3/8" - 16 x 1 1/2" Lg. or 3/8" - 16 x 2" Lg. pendent bolts. 4" and 4 1/4" C.L. sheaves with 1/2" - 13 x 1 1/2" Lg. or 1/2" - 13 x 2" Lg. pendent bolts can be supplied for an additional charge.
- **Single Speed Doors (SS), (S/SP), (S/SL)**
Depending on field survey indicating header height, hatch hangers will be supplied with various arrangements. Interlocks mounted on top or bottom of track may have to be pre-mounted before installing track, and top of door may have to be recessed. Pendent bolts could be: 3/8" - 16 x 1 1/2" or 2" Lg.; or 1/2"-13 x 1 1/2" or 2" Lg.
- **Two Speed Doors (2SP), (2/SP), (2S)**
The same situation that applied to single speed doors also applies to 2/SP doors. In addition on Two Speed hatch hangers, end bracket ears may be cut off. Our Engineering Department will determine this from your field survey. Interlocks are only top mounted.
- *Ungeared 2/SP hatch hangers* supplied with mechanical interconnecting devices must use 2/SP spring closer linkage.
- **Center Parting Doors (CP), (C/P), (Center Opening)**
The same situation that applied to single speed doors also applies to C/P doors.
Two speed center parting and three speed doors: Contact G.A.L Engineering or Sales.
- *Geared C/P hatch hangers* may have "MOCP" interlock with (1) reel closer or spring closer arrangement.
- *Ungeared C/P hatch hangers* may have (2) "MOH" interlocks and (2) reel closer or spring closer arrangements.

Single Speed - Interlock Top Mounted 24"-29" Door Opening



HANGERS INCLUDE
 -MTG hardware part No. HH10-0038N(24-25 D.O.)
 HH10-0039N(26-29 D.O.)
 -MTG hardware part No. HH10-0042N

Used with Spring Closer	Used with Reel Closer	S/S	Track Length	List Price
HH10-0001L/R*	HH10-0004L/R*	24"-25"	49"	\$342.00
HH10-0002L/R*	HH10-0005L/R*	26"-27"	53"	\$342.00
HH10-0003L/R*	HH10-0006L/R*	28"-29"	57"	\$342.00

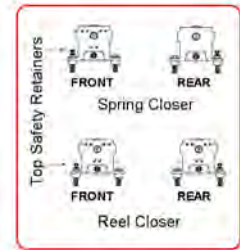
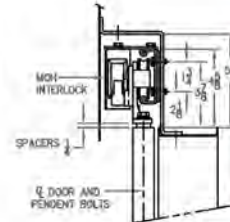
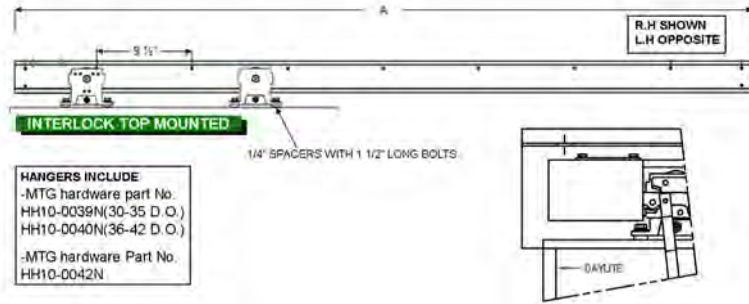
DOOR EQUIPMENT

Hatch Door Hanger Assemblies

Type: 2 1/4" Old Style Hangers

Single Speed - 5 1/2" Min. Header Pocket

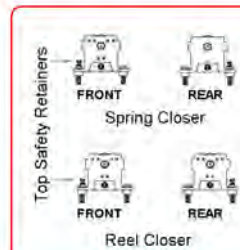
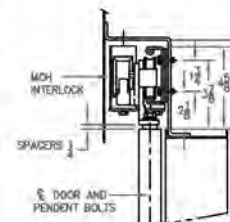
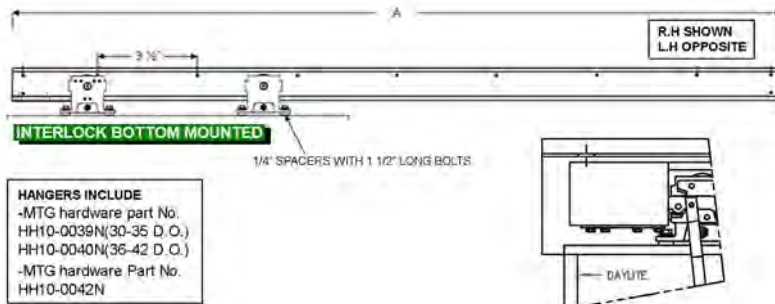
30"-42" Door Opening (Interlock Top Mounted)



Used with Spring Closer	Used with Reel Closer	S/S	Track Length	List Price
HH10-0007L/R*	HH10-0014L/R*	30"-31"	61"	\$324.00
HH10-0008L/R*	HH10-0015L/R*	32"-33"	65"	\$324.00
HH10-0009L/R*	HH10-0016L/R*	34"-35"	69"	\$324.00
HH10-0010L/R*	HH10-0017L/R*	36"-37"	73"	\$324.00
HH10-0011L/R*	HH10-0018L/R*	38"-39"	77"	\$324.00
HH10-0012L/R*	HH10-0019L/R*	40"-41"	81"	\$324.00
HH10-0013L/R*	HH10-0020L/R*	42"	85"	\$324.00

Single Speed - 5" Min. Header Pocket

30"-42" Door Opening (Interlock Bottom Mounted)



Used with Spring Closer	Used with Reel Closer	S/S	Track Length	List Price
HH10-0021L/R*	HH10-0028L/R*	30"-31"	61"	\$324.00
HH10-0022L/R*	HH10-0029L/R*	32"-33"	65"	\$324.00
HH10-0023L/R*	HH10-0030L/R*	34"-35"	69"	\$324.00
HH10-0024L/R*	HH10-0031L/R*	36"-37"	73"	\$324.00
HH10-0025L/R*	HH10-0032L/R*	38"-39"	77"	\$324.00
HH10-0026L/R*	HH10-0033L/R*	40"-41"	81"	\$324.00
HH10-0027L/R*	HH10-0034L/R*	42"	85"	\$324.00

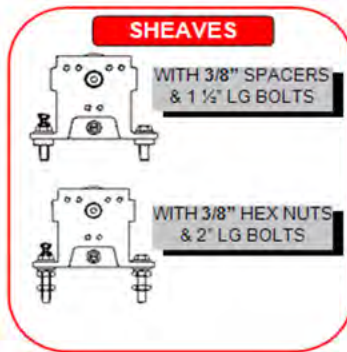
DOOR EQUIPMENT

Hatch Door Hanger Assemblies

Type: 2 1/4" Old Style Hangers

Two Speed -5 1/2" - 5 15/16" Header Pocket

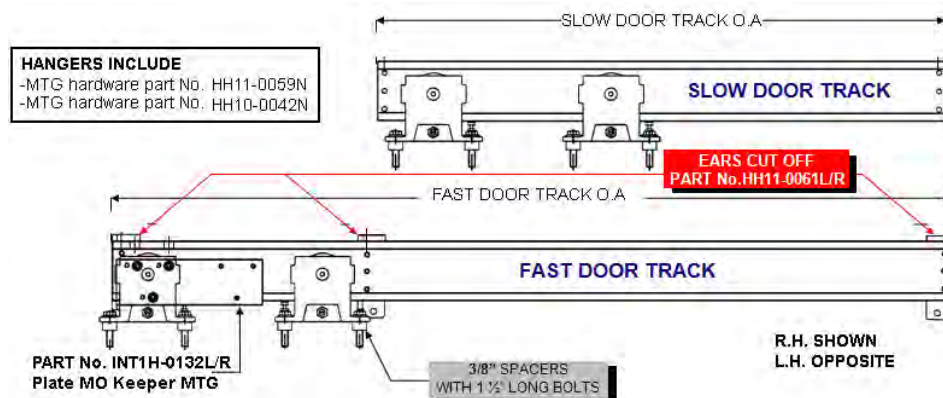
"OS" Hangers



Note:

- Sheaves supplied with standard 4 1/8" centerline pendent bolt 3/8"-16 (also available with 1/2"-13 bolts. EXTRA charge)
- 1 1/2" LG. pendent bolts supplied for 5 1/2"-5 15/16" header pocket.
- 2" LG. pendent bolts supplied for 6" header pocket and above.
- 2/SP hatch hangers supplied with mechanical interconnecting devices must use spring closer linkage.

30"-48" Door Opening



All hatch hangers come with top safety retainers

M.I.D. Set: Mechanical Interconnecting Device Set

Part No.	2/SP	Fast Track	Slow Track	M.I.D. Set	List Price
HH11-0001L/R*	30"	46"	31 1/4"	"C"	\$549.00
HH11-0002L/R*	31"	47 1/2"	32 1/4"	"C"	\$549.00
HH11-0003L/R*	32"	49"	33 1/4"	"C"	\$549.00
HH11-0004L/R*	33"	50 1/2"	34 1/4"	"C"	\$549.00
HH11-0005L/R*	34"	52"	35 1/4"	"B"	\$549.00
HH11-0006L/R*	35"	53 1/2"	36 1/4"	"B"	\$549.00
HH11-0007L/R*	36"	55"	37 1/4"	"B"	\$549.00
HH11-0008L/R*	37"	56 1/2"	38 1/4"	"B"	\$549.00
HH11-0009L/R*	38"	58"	39 1/4"	"B"	\$549.00
HH11-0010L/R*	39"	59 1/2"	40 1/4"	"B"	\$549.00
HH11-0011L/R*	40"	61"	41 1/4"	"B"	\$549.00
HH11-0012L/R*	41"	62 1/2"	42 1/4"	"B"	\$549.00
HH11-0013L/R*	42"	64"	43 1/4"	"B"	\$549.00
HH11-0014L/R*	43"	65 1/2"	44 1/4"	"B"	\$549.00
HH11-0015L/R*	44"	67"	45 1/4"	"B"	\$549.00
HH11-0016L/R*	45"	68 1/2"	46 1/4"	"B"	\$549.00
HH11-0017L/R*	46"	70"	47 1/4"	"B"	\$549.00
HH11-0018L/R*	47"	71 1/2"	48 1/4"	"B"	\$549.00
HH11-0019L/R*	48"	73"	49 1/4"	"B"	\$549.00

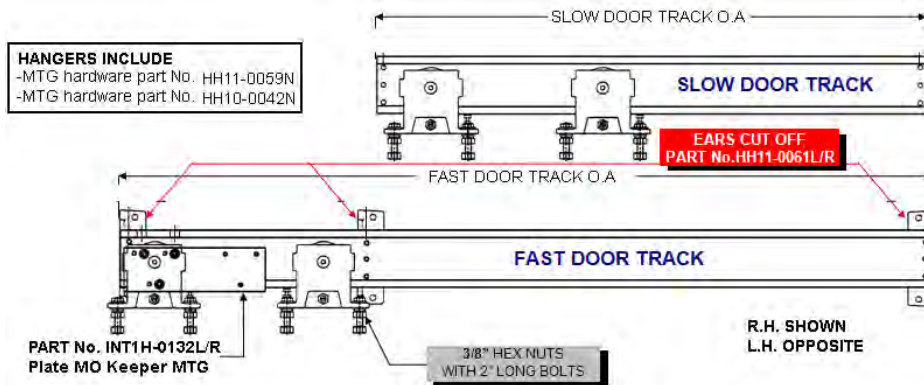
DOOR EQUIPMENT

Hatch Door Hanger Assemblies

Type: 2 1/4" Old Style Hangers

Two Speed - 6" - 6 13/16" Header Pocket

30"-48" Door Opening



All hatch hangers come with top safety retainers
 M.I.D. Set: Mechanical Interconnecting Device Set

Part No.	2/SP	Fast Track	Slow Track	M.I.D. Set	List Price
HH11-0020L/R*	30"	46"	31 1/4"	"C"	\$549.00
HH11-0021L/R*	31"	47 1/2"	32 1/4"	"C"	\$549.00
HH11-0022L/R*	32"	49"	33 1/4"	"C"	\$549.00
HH11-0023L/R*	33"	50 1/2"	34 1/4"	"C"	\$549.00
HH11-0024L/R*	34"	52"	35 1/4"	"B"	\$549.00
HH11-0025L/R*	35"	53 1/2"	36 1/4"	"B"	\$549.00
HH11-0026L/R*	36"	55"	37 1/4"	"B"	\$549.00
HH11-0027L/R*	37"	56 1/2"	38 1/4"	"B"	\$549.00
HH11-0028L/R*	38"	58"	39 1/4"	"B"	\$549.00
HH11-0029L/R*	39"	59 1/2"	40 1/4"	"B"	\$549.00
HH11-0030L/R*	40"	61"	41 1/4"	"B"	\$549.00
HH11-0031L/R*	41"	62 1/2"	42 1/4"	"B"	\$549.00
HH11-0032L/R*	42"	64"	43 1/4"	"B"	\$549.00
HH11-0033L/R*	43"	65 1/2"	44 1/4"	"B"	\$549.00
HH11-0034L/R*	44"	67"	45 1/4"	"B"	\$549.00
HH11-0035L/R*	45"	68 1/2"	46 1/4"	"B"	\$549.00
HH11-0036L/R*	46"	70"	40 1/4"	"B"	\$549.00
HH11-0037L/R*	47"	71 1/2"	48 1/4"	"B"	\$549.00
HH11-0038L/R*	48"	73"	49 1/4"	"B"	\$549.00

DOOR EQUIPMENT

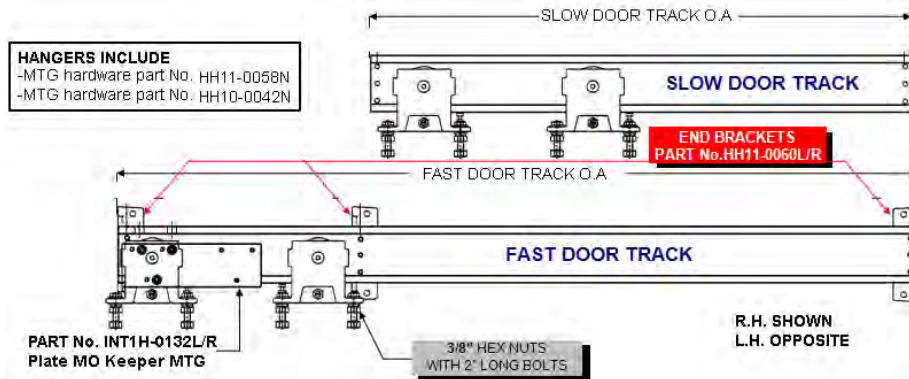
Hatch Door Hanger Assemblies

Type: 2 1/4" Old Style Hangers

"OS" Hangers

Two Speed (6 7/8" & UP Header Pocket)

30"-48" Door Opening



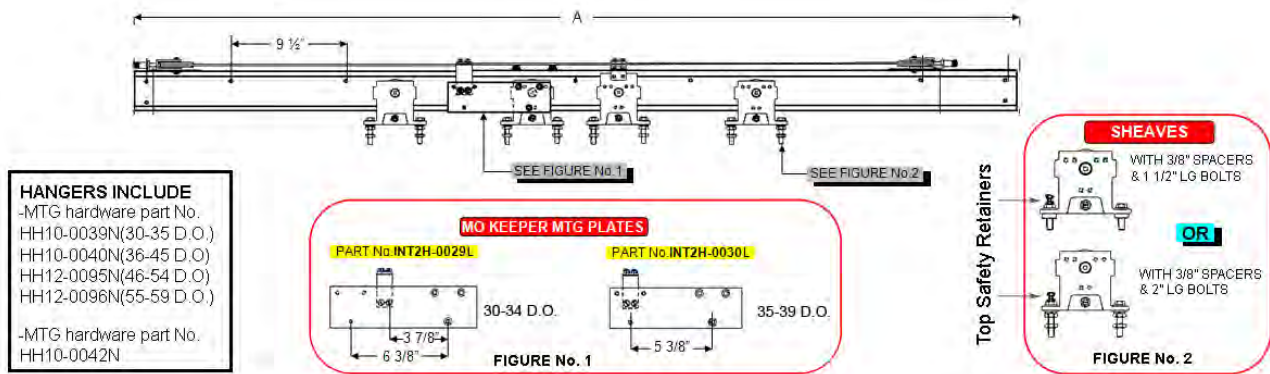
All hatch hangers come with top safety retainers

M.I.D. Set: Mechanical Interconnecting Device Set

Part No.	2/SP	Fast Track	Slow Track	M.I.D. Set	List Price
HH11-0039L/R*	30"	46"	31 1/4"	"C"	\$549.00
HH11-0051L/R*	42"	64"	43 1/4"	"B"	\$549.00
HH11-0057L/R*	48"	73"	49 1/4"	"B"	\$549.00

Center Parting (Geared)

30"-59" Door Opening



4 7/8" - 6 15/16" Header With 1 1/2" LG Bolts	7" and UP Header With 2" LG Bolts	C/P	Track Length	List Price
HH12-0001N*	HH12-0031N*	30"	61"	\$462.00
HH12-0002N*	HH12-0032N*	31"	63"	\$462.00
HH12-0003N*	HH12-0033N*	32"	65"	\$462.00
HH12-0004N*	HH12-0034N*	33"	67"	\$462.00
HH12-0005N*	HH12-0035N*	34"	69"	\$462.00
HH12-0006N*	HH12-0036N*	35"	71"	\$462.00
HH12-0007N*	HH12-0037N*	36"	73"	\$462.00
HH12-0008N*	HH12-0038N*	37"	75"	\$462.00
HH12-0009N*	HH12-0039N*	38"	77"	\$462.00
HH12-0010N*	HH12-0040N*	39"	79"	\$462.00
HH12-0011N*	HH12-0041N*	40"	81"	\$462.00
HH12-0012N*	HH12-0042N*	41"	83"	\$462.00

(* Special Engineering Required

DOOR EQUIPMENT

Hatch Door Hanger Assemblies

Type: 2 1/4" Old Style Hangers

"OS" Hangers

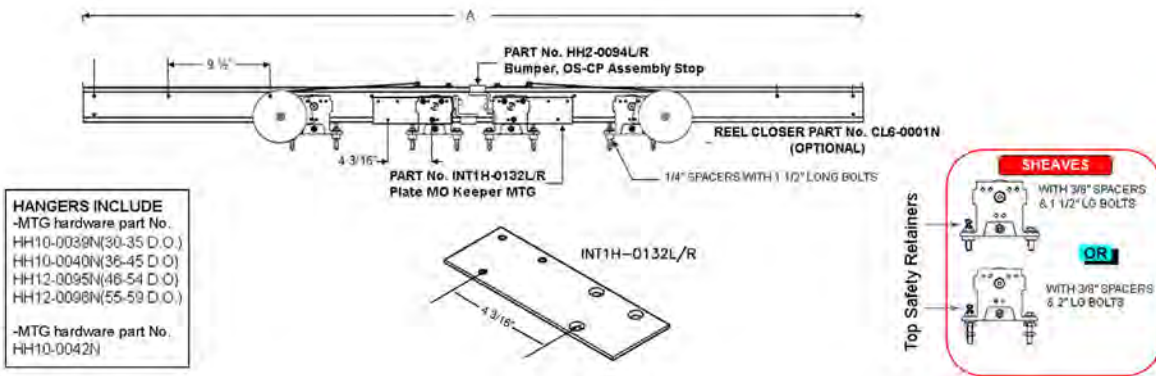
Center Parting (Geared)

30"-59" Door Opening

4 7/8" - 6 15/16" Header With 1 1/2" LG Bolts	7" and UP Header With 2" LG Bolts	C/P	Track Length	List Price
HH12-0013N*	HH12-0043N*	42"	85"	\$462.00
HH12-0014N*	HH12-0044N*	43"	87"	\$462.00
HH12-0015N*	HH12-0045N*	44"	89"	\$462.00
HH12-0016N*	HH12-0046N*	45"	91"	\$462.00
HH12-0017N*	HH12-0047N*	46"	93"	\$462.00
HH12-0018N*	HH12-0048N*	47"	95"	\$462.00
HH12-0019N*	HH12-0049N*	48"	97"	\$462.00
HH12-0020N*	HH12-0050N*	49"	99"	\$483.00
HH12-0021N*	HH12-0051N*	50"	101"	\$483.00
HH12-0022N*	HH12-0052N*	51"	103"	\$483.00
HH12-0023N*	HH12-0053N*	52"	105"	\$483.00
HH12-0024N*	HH12-0054N*	53"	107"	\$483.00
HH12-0025N*	HH12-0055N*	54"	109"	\$483.00
HH12-0026N*	HH12-0056N*	55"	111"	\$503.00
HH12-0027N*	HH12-0057N*	56"	113"	\$503.00
HH12-0028N*	HH12-0058N*	57"	115"	\$503.00
HH12-0029N*	HH12-0059N*	58"	117"	\$503.00
HH12-0030N*	HH12-0060N*	59"	119"	\$503.00

Center Parting (Ung geared) - Header Height: 4 1/8" & UP

30"-59" Door Opening



HANGERS INCLUDE
 -MTG hardware part No.
 HH10-0039N(30-35 D.O.)
 HH10-0040N(36-45 D.O.)
 HH12-0095N(46-54 D.O.)
 HH12-0096N(55-59 D.O.)
 -MTG hardware part No.
 HH10-0042N

Part No.	C/P	Track Length	List Price
HH12-0061N*	30"	61"	\$416.00
HH12-0062N*	31"	63"	\$416.00
HH12-0063N*	32"	65"	\$416.00
HH12-0064N*	33"	67"	\$416.00
HH12-0065N*	34"	69"	\$416.00
HH12-0066N*	35"	71"	\$416.00
HH12-0067N*	36"	73"	\$416.00
HH12-0068N*	37"	75"	\$416.00
HH12-0069N*	38"	77"	\$416.00
HH12-0070N*	39"	79"	\$416.00
HH12-0071N*	40"	81"	\$416.00
HH12-0072N*	41"	83"	\$416.00
HH12-0073N*	42"	85"	\$416.00
HH12-0074N*	43"	87"	\$416.00
HH12-0075N*	44"	89"	\$416.00

Part No.	C/P	Track Length	List Price
HH12-0076N*	45"	91"	\$416.00
HH12-0077N*	46"	93"	\$416.00
HH12-0078N*	47"	95"	\$416.00
HH12-0079N*	48"	97"	\$416.00
HH12-0080N*	49"	99"	\$436.00
HH12-0081N*	50"	101"	\$436.00
HH12-0082N*	51"	103"	\$436.00
HH12-0083N*	52"	105"	\$436.00
HH12-0084N*	53"	107"	\$436.00
HH12-0085N*	54"	109"	\$436.00
HH12-0086N*	55"	111"	\$456.00
HH12-0087N*	56"	113"	\$456.00
HH12-0088N*	57"	115"	\$456.00
HH12-0089N*	58"	117"	\$456.00
HH12-0090N*	59"	119"	\$456.00

DOOR EQUIPMENT

Westinghouse & Otis Retro Fit Equipment

Hatch Door Hanger Assemblies

Westinghouse & Otis Hatch Hanger Replacement

Westinghouse & Otis Retro Fit

Due to the complexity of Westinghouse and Otis elevator installations, it is necessary to contact G.A.L. Engineering or Estimating Departments for specific information and quotes.

The following chart, along with a field survey from you, can be used to give G.A.L. Engineers or Estimators some basic information in determining the correct equipment and pricing that you need.

All hatch hangers in this series have galvanized tracks, and come with top safety retainers and mechanical interconnecting devices (M.I.D. sets), on 2S/P doors.

① WESTINGHOUSE STANDARD TRACK

-REMOVE EXISTING "J" STYLE TRACK
-REUSE HEADER, DUST COVER AND OLD TRACK MOUNTING DRILLINGS

WESTINGHOUSE STANDARD DOORS

(EITHER 2-1/2 OR 3-3/4 INCH CENTERLINES)
-ADAPTOR BARS OR 3-3/4 SHEAVES PROVIDED BY G.A.L.

② WESTINGHOUSE INTEGRAL TRACK

-REMOVE EXISTING TRACK AND DUST COVER
-NEW FASCIA / DUST COVER SUPPORT BY G.A.L.
-REUSE OLD TRACK MOUNTING DRILLINGS

WESTINGHOUSE INTEGRAL DOORS

-EXISTING DOOR MUST BE CUT
-SHEAVE MOUNTING BRACKETS BY G.A.L.

③ OTIS STANDARD TRACK

-REMOVE OTIS "BAR" STYLE TRACK
-REUSE EXISTING HEADER AND DUST COVER
-HEADER MUST BE REDRILLED FOR G.A.L. EQUIPMENT

OTIS INTEGRAL DOORS

-EXISTING DOOR MUST BE CUT
-DRILL AND TAP SIDE OF DOORS TO MOUNT FLAT SHEAVES OF G.A.L.

SELECTING YOUR REPLACEMENT PACKAGE:

TYPE OF DOOR	TYPE OF TRACK		
	WESTINGHOUSE STANDARD	WESTINGHOUSE INTEGRAL	OTIS STANDARD
WESTINGHOUSE STANDARD 2-1/2 SHEAVES	WESTINGHOUSE TYPE "IV"	WESTINGHOUSE TYPE "V"	n/a
WESTINGHOUSE STANDARD 3-3/4 SHEAVES	WESTINGHOUSE TYPE "II"	n/a	n/a
WESTINGHOUSE INTEGRAL	n/a	WESTINGHOUSE TYPE "III"	n/a
OTIS INTEGRAL	n/a	n/a	OTIS TYPE "I"

④ OTIS INTEGRAL TRACK



-G.A.L. OFFER NO REPLACEMENT PKG.
-NEW HEADER REQ'D

DOOR EQUIPMENT

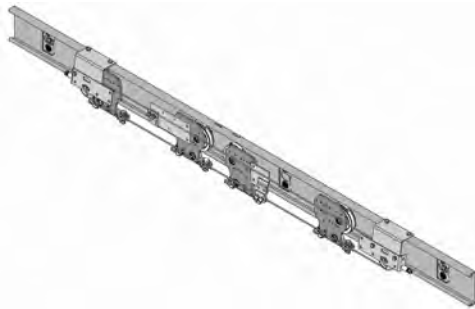
Westinghouse & Otis Retro Fit Equipment

Hatch Door Hanger Assemblies

Westinghouse & Otis Retro Fit

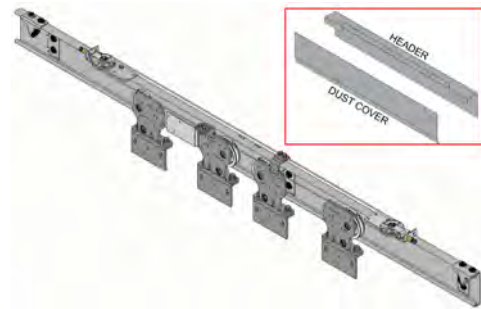
Center Parting (Geared)

HH17-0003N*



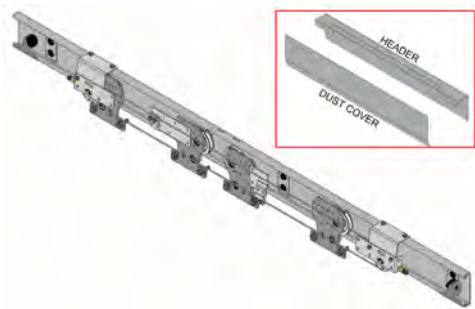
Type: Westinghouse II
Hanger Assembly, A-C/P Westinghouse II Hatch
List Price: \$352.00

HH17-0004N*



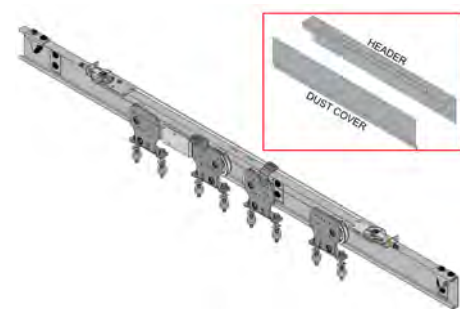
Type: Westinghouse III
Hanger Assembly, A-C/P Westinghouse III Hatch, With Dust Cover* With Header & Brackets*
List Price: \$678.00

HH17-0005N*



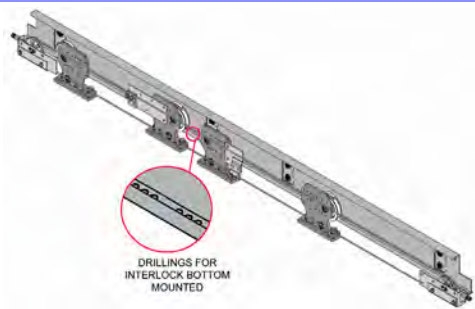
Type: Westinghouse III-LOW
Hanger Assembly, A-C/P Westinghouse III Hatch, With Dust Cover* With Header-LOW Pocket*
List Price: \$647.00

HH17-0050N*



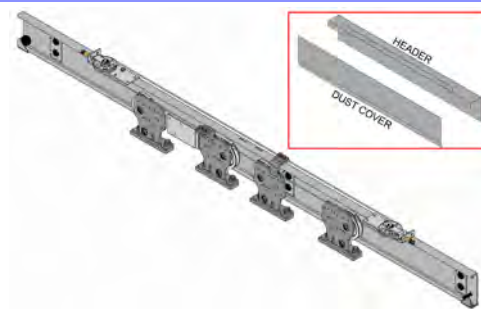
Type: Westinghouse III-NEW DOORS
Hanger Assembly, A-C/P Westinghouse III Hatch, With Dust Cover* With Header* Use For New Doors 30"-59" D.O.
List Price: \$530.00

HH17-0008N*



Type: Westinghouse IV
Hanger Assembly, A-C/P Westinghouse IV Hatch, With Countersunk Adaptor Bars
List Price: \$589.00

HH17-0009N*



Type: Westinghouse V
Hanger, A-CP Westinghouse V Hatch*, With Adaptor Bars* With Dust Cover* With Header*
List Price: \$653.00

DOOR EQUIPMENT

Westinghouse & Otis Retro Fit Equipment

Hatch Door Hanger Parts

Westinghouse & Otis Retro Fit

Sheaves

HH17-0018L/R



L.H. SHOWN
R.H. OPPOSITE

Sheave, 4-1/8" CL 3/8-16 Bolts Flat, For Westinghouse III-LOW & Otis I Integral
List Price: \$87.00

HH17-0031L/R



L.H. SHOWN
R.H. OPPOSITE

Sheave, 4-1/8" CL 3/8-16 Bolts Flat, For Westinghouse III-LOW & Otis I Integral
List Price: \$90.00

HH17-0046L/R



L.H. SHOWN
R.H. OPPOSITE

Sheave, C/P 4-1/8" CL Westinghouse IV & V, With Sheave Mounting Bar & Spacer
List Price: \$82.00

Gearing Cable Assembly Parts

HH17-0013N



Plate & Clamp, Gearing Kit Mounting, Westinghouse II & III
List Price: \$23.20

HH17-0038N



Plate & Clamp, C/P Hatch Gearing Kit, With Lower & Upper Gearing Cable Clamp. Use With Westinghouse IV
List Price: \$37.00

HH17-0043N



Plate & Clamp, C/P Mounting Hatch Gearing Kit, With Lower & Upper Gearing Cable Clamp. Use With Westinghouse III & IV
List Price: \$21.60

HH17-0049L/R

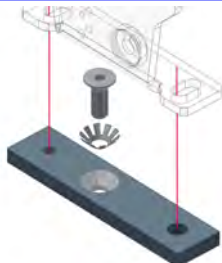


L.H. SHOWN
R.H. OPPOSITE

Pulley Assembly, C/P WECO III/IV Steel Tension
List Price: \$62.00

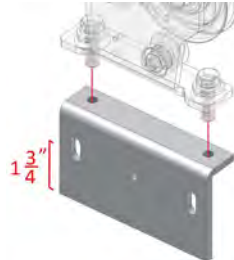
Adaptor Bar & Bracket

HH17-0041N



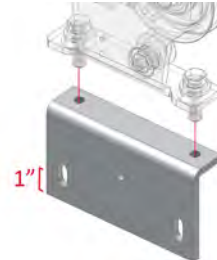
Bar, Westinghouse I-IV Sheave Adaptor Kit, With Countersink For 3/8-16 Flat Head Screw
List Price: \$20.80

HH17-0014N



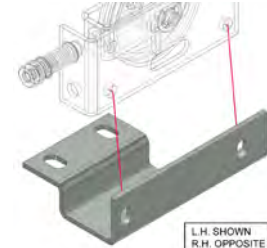
Bracket, Standard Westinghouse III Sheave Mounting, 5 1/4" x 3 7/8" x 1 3/16", 1 3/4" C.L. Bottom To Slots
List Price: \$37.00

HH17-0063N



Bracket, Special Westinghouse III Sheave Mounting, 5 1/4" x 3 7/8" x 1 3/16", 1" C.L. Bottom To Slots
List Price: \$37.00

HH17-0045L/R



L.H. SHOWN
R.H. OPPOSITE

Bracket, Gearing Cable Mounting, Westinghouse Type "IV" Replacement
List Price: \$39.00

DOOR EQUIPMENT

Westinghouse & Otis Retro Fit Equipment

Hatch Door Hanger Parts

Westinghouse & Otis Retro Fit

Hatch Header & Dust Cover

HH17-0056N*	HH17-0064L/R*	HH17-0061N*	CDH17-0005N
Header, C/P 36"-54" D.O. Westinghouse Type III & V List Price: \$154.00	Header, S/S 24"-48" D.O. Westinghouse Type III List Price: \$215.00	Dust Cover, Westinghouse Type III & V List Price: \$116.00	Plate, Westinghouse IV C/P-2SP/CP Arm Support, Replacement 1/2" Offset Header List Price: \$15.40

Tracks

Part No.	Description	List Price
HH17-0062N*	Track, CP Westinghouse Type IV	\$173.00

Hardware

HH17-0010N	HH17-0024N	HH17-0026N	HH17-0030N
Hardware, C/P Westinghouse III Sheave Mounting New Doors, A=6 1/16"; B=2 13/16" Mounting - C/P - 4 1/8 CL List Price: \$11.00	Hardware, S/S-C/P Westinghouse III Track/Header/Dust Cover Mounting List Price: \$6.20	Hardware, S/S Westinghouse III Sheave Mounting List Price: \$6.80	Hardware, C/P Westinghouse III-LOW Track Mounting List Price: \$6.80

DOOR EQUIPMENT

Westinghouse & Otis Retro Fit Equipment

Hatch Door Hanger Parts

Westinghouse & Otis Retro Fit

Hardware

HH17-0039N	HH17-0057N	HH17-0058N	HH17-0059N
Hardware, Westinghouse IV Sheave Mounting, for 2-1/2 CL List Price: \$61.00	Hardware, Westinghouse III-New Door Mounting List Price: \$61.00	Plate, Clamp Base, Westinghouse IV List Price: \$21.60	Angle Support Bracket, Westinghouse IV List Price: \$21.60

Car Door Hanger Assemblies and Parts

CDH17-0001N*	HH17-0018L/R	HH17-0031L/R	HH17-0027N
Hanger Assembly, A-C/P 30"-59" D.O. Car Ungeared Use With Flat Header List Price: \$623.00	Sheave, 4-1/8" CL 3/8-16 Bolts Flat, For Westinghouse III-LOW & Otis I Integral List Price: \$87.00	Sheave, 4-1/8" CL 3/8-16 Bolts Flat, For Westinghouse III-LOW & Otis I Integral List Price: \$90.00	Hardware, S/S & C/P Westinghouse IV Sheave Mounting List Price: \$39.00

Reel Closer Assemblies and Parts

CL6-0009N	CL6-0012N
Closer Assembly, Reel, Westinghouse IV With Special Offset Bracket Mounting List Price: \$62.00	Bracket, Westinghouse IV & V Reel Closer List Price: \$20.20

DOOR EQUIPMENT

Westinghouse & Otis Retro Fit Equipment

Westinghouse & Otis Retro Fit

Door Drive Arm Support Bracket



Part No.	Description	List Price
CDH17-0004N*	Bracket, Westinghouse IV C/P Arm Support, Replacement 1/2" Offset Header	\$70.00

Interlock Assemblies

Conventional



Part No.	Description	List Price
INT2H-0197N*	Interlock, Westinghouse IV MOCPH-SEF, Side Mounted Electrical Fitting, Bottom Mounted	\$259.00
INT2H-0039N*	Interlock, C/P 40"-49" D.O., MOCPH B LK Westinghouse I-II, & III-LOW	\$231.00
INT2H-0043N*	Interlock, Westinghouse IV MOCPH, Bottom Mounted	\$244.00
INT2H-0038N*	Interlock, C/P 30"-39" D.O., MOCPH A LK Westinghouse I-II	\$231.00

N Interlock Conventional

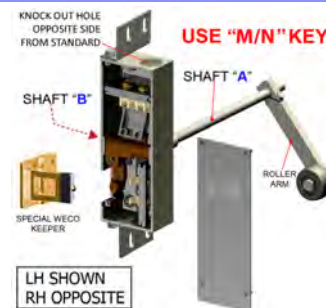


Existing Westinghouse Lock

With special WECO keeper, shaft pointing to side wall. Use M/N key

Part No.	Description	List Price
INT22-0008L/R	Interlock, "N" Swing Door, Existing Westinghouse SW-1 Lock Cutouts, With 4 1/2" CL Roller Arm & Special WECO Keeper, Shaft Pointing To Side Wall	\$241.00

NHA Interlock Vandal Resistant



Part No.	Description	List Price
INT22-0033L/R	Interlock, NHA Westinghouse Swing Door, With 4 1/2 CL Roller Arm, St. St'L. Shafts & Surface Keeper For Existing Westinghouse SW-1 Lock Cutouts, Shaft Pointing To Side Wall	\$256.00

DOOR EQUIPMENT

Westinghouse & Otis Retro Fit Equipment

Interlock Parts

Westinghouse & Otis Retro Fit

Switch Assemblies & Keeper

INT2H-0051N



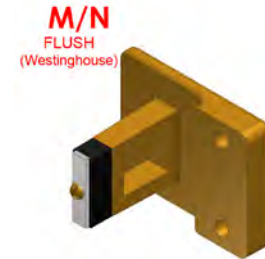
Switch, MOCIP Interlock Westinghouse IV & V,
Spanner Head Screw
Where Used: MOCPH
List Price: \$139.00

INT22-0013L/R



Switch Assembly, "N" Interlock Swing Door,
Existing Westinghouse SW-1 Lock Cutouts
Where Used: N
List Price: \$201.00

INT4-0005N



Keeper, M/N Interlock Westinghouse Swing, For
Existing Westinghouse
Where Used: M, N
List Price: \$47.00

Switch Mounting Adaptor - Angles/Brackets/Plates

INT1H-0075L/R



Angle, MO Interlock S/S, Existing
Westinghouse
Where Used: MOH
List Price: \$50.00

INT1H-0133N



Angle, MOH Interlock S/S, Existing
Westinghouse
Where Used: MOH
List Price: \$15.40

INT2H-0199N



Angle, Westinghouse III MOCIP
Interlock Mounting
Where Used: MOCPH
List Price: \$18.60

INT2H-0206N



Angle, Westinghouse III MOCIP
Interlock Mounting
Where Used: MOCPH
List Price: \$18.60

INT1H-0074L/R



Bracket, MO Interlock 2/SP, Existing
Westinghouse
Where Used: MOH
List Price: \$62.00

INT1H-0134N



Bracket, MOH Interlock 2/SP, Existing
Westinghouse 5 1/4" x 3 3/4" x
11 Ga. (Flat)
Where Used: MOH
List Price: \$62.00

INT1H-0356L/R



Bracket, MO Interlock 2/SP, Existing
Westinghouse Bottom Mounted
Lock
Where Used: MOH (bottom
mounted)
List Price: \$62.00

INT2H-0037N



Plate, MOCIP Interlock Westinghouse I-II Mounting
Where Used: MOCPH
List Price: \$31.00

DOOR EQUIPMENT

Westinghouse & Otis Retro Fit Equipment

Westinghouse & Otis Retro Fit

Interlock Parts

Switch Mounting Adaptor - Angles/Brackets/Plates

INT2H-0200N



Plate, MOCP Interlock Westinghouse Mounting
Where Used: MOCPH
List Price: \$31.00

INT2H-0203N



Plate, MOCP Interlock Westinghouse Integral Mounting
Where Used: MOCPH
List Price: \$74.00

Keeper Mounting Brackets/Plates

INT1H-0076N



Bracket, MO Keeper Mounting S/S-2/SP, Existing Westinghouse 6" x 3 1/4" x #11 Gauge
Where Used: MOH
List Price: \$50.00

INT2H-0052N



Bracket, MOCP/MOH Keeper Mounting, Existing Westinghouse & Otis 8 5/32" x 3 1/4" x #10 Gauge
Where Used: MOCPH
List Price: \$50.00

INT2H-0048N



Plate, MO Keeper And Clamp Mounting, Westinghouse Type "IV" Replacement
Where Used: MOCPH
List Price: \$50.00

INT2H-0049N



Plate, MO Keeper And Clamp Mounting, Westinghouse Type "II" Replacement With 3 3/4" CL Of Sheaves
Where Used: MOCPH
List Price: \$50.00

INT2H-0050N



Plate MO Keeper And Clamp Mounting, Westinghouse Type "III-LOW" Replacement With 4 1/8" CL Of Sheaves
Where Used: MOCPH
List Price: \$50.00

INT2H-0198L/R



Plate, MOH/MOCPH Keeper Mounting - 5/8 Offset, Use For Existing Westinghouse Or OTIS C/P Geared Hangers (3 1/4" x 10 3/4")
Where Used: MOCPH, MOH
List Price: \$65.00

DOOR EQUIPMENT

Westinghouse & Otis Retro Fit Equipment

Interlock Parts

Westinghouse &
Otis Retro Fit

Hardware

INT22-0025N



Hardware, "N" Interlock Mounting Westinghouse
Where Used: N
List Price: \$2.40

INT2H-0036N



Hardware, MOCPH Interlock Westinghouse I-II-IV
Where Used: MOCPH
List Price: \$15.40

HDW-0274N



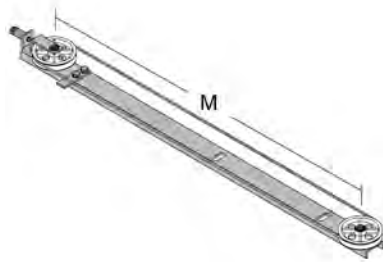
Spacer, MOCPH Interlock Westinghouse
Where Used: MOCPH
List Price: \$1.60

DOOR EQUIPMENT

Hanger Parts

Car & Hatch Hanger Parts

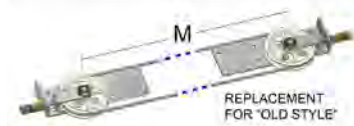
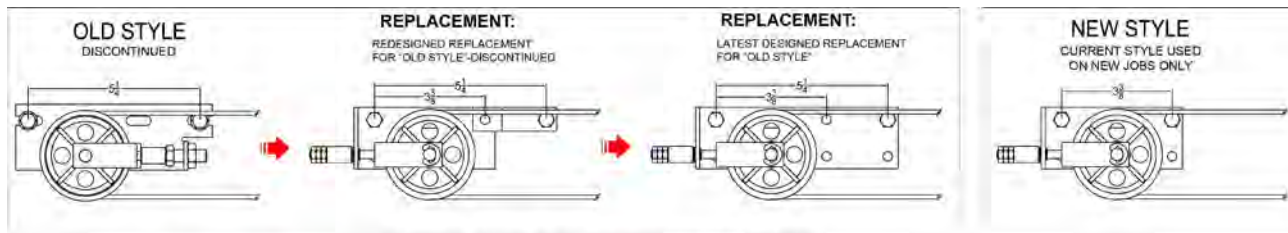
Cable Gearing Bar Assemblies



Note: For 3/SP installations, contact G.A.L. sales or engineering department for further details or an order placement.*

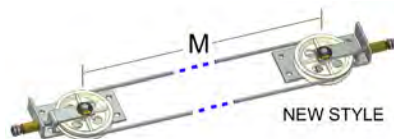
Part No.	Description	Where Used	List Price
CDH2-0161N*	Bar, 5 5/8" CL Slot Gearing 2/SP-2SP/CP Assembly, 2/SP 24" D.O. "M" DIM = 19 7/8" CL Pulley & 2SP/CP 32"-47" D.O. "M" DIM = 14 7/8" - 18 7/8" CL Pulley	A	\$99.00
CDH2-0121N	Bar, 6 1/2" CL Slot Gearing 2SP-Assembly, 28"-29" D.O. "M" DIM = 20 3/4" CL Pulley	A	\$99.00
CDH2-0069N	Bar, 8 1/2" CL Slot Gearing 2SP-Assembly, 30"-32" D.O. "M" DIM = 22 3/4" CL Pulley	A, HA, NYCHA	\$99.00
CDH2-0070N	Bar, 10 1/2" CL Slot Gearing 2SP-Assembly, 33"-36" D.O. "M" DIM = 24 3/4" CL Pulley	A, HA, NYCHA	\$99.00
CDH2-0071N	Bar, 12 1/2" CL Slot Gearing 2SP-Assembly, 37"-40" D.O. "M" DIM = 26 3/4" CL Pulley	A, HA, NYCHA	\$99.00
CDH2-0072N	Bar, 14 1/2" CL Slot Gearing 2SP-Assembly, 41"-44" D.O. "M" DIM = 28 3/4" CL Pulley	A, HA, NYCHA	\$99.00
CDH2-0073N	Bar, 16 1/2" CL Slot Gearing 2SP-Assembly, 45"-48" D.O. "M" DIM = 30 3/4" CL Pulley	A, HA, NYCHA	\$99.00

Cable Gearing Assemblies (Type "A")

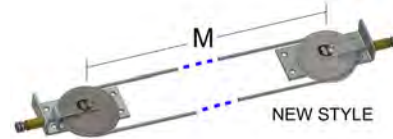


To replace an "old style" complete Type "A" C/P cable gearing assembly it must be ordered in parts:
 - (1) left hand & right hand tension pulley assembly.
 - Part No. HH3-0042L/R
 - (1) gearing cable based on opening size (See Type "A" Cable Chart)

Nylon Pulley Assembly



Steel Pulley Assembly



Part No.	C/P	Track Length	"M" DIM	List Price
HH3-0075N	24"-26"	52"	44"	\$124.00
HH3-0076N	27"-29"	58"	50"	\$124.00
HH3-0024N	30"-32"	64"	56"	\$124.00
HH3-0067N	33"-35"	70"	62"	\$124.00
HH3-0068N	36"-38"	76"	65"	\$124.00
HH3-0069N	39"-41"	82"	68"	\$124.00
HH3-0070N	42"-44"	88"	71"	\$124.00
HH3-0071N	45"-47"	94"	74"	\$124.00
HH3-0072N	48"-50"	100"	77"	\$124.00
HH3-0073N	51"-56"	106"	80"	\$124.00
HH3-0074N	57"-59"	112"	83"	\$124.00

Part No.	C/P	Track Length	"M" DIM	List Price
HH3-0077N	24"-26"	52"	44"	\$154.00
HH3-0078N	27"-29"	58"	50"	\$154.00
HH3-0079N	30"-32"	64"	56"	\$154.00
HH3-0080N	33"-35"	70"	62"	\$154.00
HH3-0081N	36"-38"	76"	65"	\$154.00
HH3-0082N	39"-41"	82"	68"	\$154.00
HH3-0083N	42"-44"	88"	71"	\$154.00
HH3-0084N	45"-47"	94"	74"	\$154.00
HH3-0085N	48"-50"	100"	77"	\$154.00
HH3-0086N	51"-56"	106"	80"	\$154.00
HH3-0087N	57"-59"	112"	83"	\$154.00

DOOR EQUIPMENT

Hanger Parts

Cable Gearing Assembly Parts

Car & Hatch
Hanger Parts

Pulley Assemblies and Pulleys

HH3-0025L/R

LH SHOWN
RH OPPOSITE



Pulley Assembly, C/P 24"-59" D.O.
New Nylon Tension
Where Used: A
List Price: \$47.00

HH3-0041L/R

LH SHOWN
RH OPPOSITE



Pulley Assembly, C/P 24"-59" D.O.
New Steel Tension (For Westing-
house installations see Westing-
house Section)
Where Used: A
List Price: \$62.00

HH3-0042L/R

LH SHOWN
RH OPPOSITE



Pulley Assembly, C/P 24"-59" D.O.
Nylon Tension
Where Used: A
List Price: \$47.00

REPLACEMENT
FOR "OLD STYLE"

CDH3-0267L/R

LH SHOWN
RH OPPOSITE



Pulley Assembly, C/P Vertical Gear-
ing Tension
Where Used: A
List Price: \$70.00

CDH3-0268N



Angle, C/P Vertical Gearing Tension
Pulley
Where Used: A
List Price: \$23.20

CDH2-0079N



Pulley Assembly, 2/SP 30"-48"
D.O., C/P 24"-59" D.O. Gearing
With Bolt, Use For Jobs After Mid
Nov. 1991
Where Used: A, HA, NYCHA
List Price: \$27.80

CDH2-0080N



Pulley Assembly, 2/SP 30"-48"
D.O., C/P 24"-59" D.O., Gear-
ing With Pin, Use For Jobs Before
Mid Nov.1991
Where Used: A, HA, NYCHA
List Price: \$27.80

CDH2-0098N



Pulley Assembly, 2/SP, C/P 24"-59"
D.O., Gearing Rod, Use For Jobs
After Mid Nov. 1991
Where Used: A
List Price: \$44.00

CDH2-0099N



Pulley Assembly, 2/SP, C/P 24"-59"
D.O., Gearing Bolt, Use For Jobs
Before Mid Nov.1991
Where Used: A
List Price: \$44.00

HWPL-0010N



Pulley, 2 3/4 Diameter Nylon
Where Used: A, HA, NYCHA
List Price: \$6.20

HWPL-0013N



Pulley, C/P 24"-59" D.O., 2-3/4
Diameter Steel
Where Used: A
List Price: \$15.40

DOOR EQUIPMENT

Hanger Parts

Cable Gearing Assembly Parts

Car & Hatch Hanger Parts

Gearing Cables (Type "A") - Two Speed

Note: See Gearing Cable Assembly Bars Section for "M" DIM



Part No.	2/SP	"M" DIM	C.L. Slots	Where Used	List Price
CDH2-0122N	24"-29"	20 3/4"	6 1/2"	A	\$18.60
CDH2-0074N	30"-32"	22 3/4"	8 1/2"	A, HA, NYCHA	\$18.60
CDH2-0075N	33"-36"	24 3/4"	10 1/2"	A, HA, NYCHA	\$18.60
CDH2-0076N	37"-40"	26 3/4"	12 1/2"	A, HA, NYCHA	\$18.60
CDH2-0077N	41"-44"	28 3/4"	14 1/2"	A, HA, NYCHA	\$18.60
CDH2-0078N	45"-48"	30 3/4"	16 1/2"	A, HA, NYCHA	\$18.60

Gearing Cables (Type "A") - Center Parting



Part No.	C/P	Track Length	"M" DIM	List Price
HH3-0044N	24"-26"	52"	44"	\$31.00
HH3-0045N	27"-29"	58"	50"	\$31.00
HH3-0026N	30"-32"	64"	56"	\$31.00
HH3-0027N	33"-35"	70"	62"	\$31.00
HH3-0028N	36"-38"	76"	65"	\$31.00
HH3-0029N	39"-41"	82"	68"	\$31.00
HH3-0030N	42"-44"	88"	71"	\$31.00
HH3-0031N	45"-47"	94"	74"	\$31.00
HH3-0032N	48"-50"	100"	77"	\$31.00
HH3-0033N	51"-56"	106"	80"	\$31.00
HH3-0091N	57"-59"	112"	83"	\$31.00

Gearing Cables (Old Style Type "A") - Center Parting



Part No.	C/P	Track Length	"M" DIM	List Price
HH3-0046N	24"-26"	52"	47"	\$31.00
HH3-0047N	27"-29"	58"	53"	\$31.00
HH3-0048N	30"-32"	64"	59"	\$31.00

Clamps

HH2-0127N



Clamp Assembly, 2SP/CP Two Way Geared Bend, 8 7/8" x 1 1/4" x 3/16" Flat
Where Used: A
List Price: \$20.00

HH2-0128N



Clamp Assembly, 2SP/CP Two Way Geared, 6 3/4" x 1 1/4" x 3/16"
Where Used: A
List Price: \$20.00

HH2-0130N



Clamp Assembly, 3/SP Shoe Type Geared 7 3/8"
Where Used: A
List Price: \$20.00

DOOR EQUIPMENT

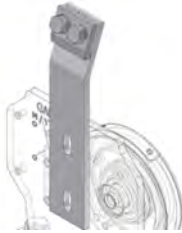
Hanger Parts

Cable Gearing Assembly Parts

Car & Hatch
Hanger Parts

Clamps

HH3-0189N



Clamp Assembly, 2/SP Geared "C" Hanger 4 3/4" Bent
Where Used: A
List Price: \$20.00

HH3-0088N



Clamp, C/P Sheave Gearing Cable Lower
Where Used: A
List Price: \$9.40

HH3-0190N



Clamp Assembly, C/P Vertical Geared 7 1/4" Bent
Where Used: A
List Price: \$20.00

HH12-0092N



Clamp, Type "OS" Gearing Cable Long
Where Used: 2 1/4 "OS" Hanger
List Price: \$20.00

HH12-0093N



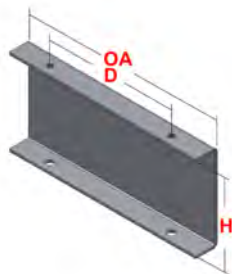
Clamp, Type "OS" Sheave Cable Short
Where Used: 2 1/4 "OS" Hanger
List Price: \$20.00

CDH2-0082N



Clamp, 2/SP 30"-48" D.O. Cable Anchor
Where Used: A, HA, NYCHA
List Price: \$37.00

Spacers



Part No.	3/SP	"D" DIM	"H" DIM	"OA" DIM	List Price
CDH9-0146N	28"	5 5/8"	4"	8 5/8"	\$62.00
CDH9-0147N	28"	5 5/8"	2"	8 5/8"	\$62.00
CDH9-0141N	30"-40"	6 1/2"	2"	9 1/2"	\$62.00
CDH9-0140N	41"-46"	8 1/2"	2"	11 1/2"	\$62.00
CDH9-0139N	47"-52"	10 1/2"	2"	13 1/2"	\$62.00
CDH9-0138N	53"-58"	12 1/2"	2"	15 1/2"	\$62.00
CDH9-0137N	59"-64"	14 1/2"	2"	17 1/2"	\$62.00
CDH9-0136N	65"-69"	16 1/2"	2"	19 1/2"	\$62.00

DOOR EQUIPMENT

Hanger Parts

Car Header (Type "A" & "HA")

Car & Hatch
Hanger Parts

Headers



Part No.	Description	List Price
CDH1-0144L/R*	Header, Type "A" Hanger S/S 22"-48" D.O. Car	\$124.00
CDH2-0158L/R*	Header, Type "A" Hanger 2/SP 30"-72" D.O. Car	\$124.00
CDH3-0290N*	Header, Type "A" Hanger C/P 24"-59" D.O. Car	\$136.00
CDH4-0153N*	Header, Type "A" Hanger 2SP/CP 32"-73" D.O. Car	\$154.00
CDH13-0165L/R*	Header, Type "HA" S/S 24"-42" D.O. Car	\$154.00

Hi-Cab Kit Parts

Operator Support Angle (Set)

CDH1-0117N



Angle, S/S 22"-48" D.O., 2/SP 30"-48" D.O. Operator Support Extension Set
Where Used: A, AX, HA
Header Height: 17" & UP
List Price: \$93.00

Header Strap

CDH2-0106N



Strap, 2/SP 30"-48" D.O., 44 1/2" Lg. Header
Where Used: A
Header Height: 17" & UP
List Price: \$31.00

Channels

HH2-0243N



Channel, 2SP/CP Geared 2 3/8" Part, Two Way Hatch
Where Used: A
List Price: \$62.00

CDH1-0104N



Hi-Cab Kit, 4" Channel. 17" Header Height With 44 1/2" Track Length
Where Used: A
List Price: \$124.00

DOOR EQUIPMENT

Hanger Parts

Hi-Cab Kit Parts

Car & Hatch
Hanger Parts

Extension Plates

Single & Two Speed (Type "A", "AX", & "HA")

S/S 22"-48"
2/SP 30"-48"



Center Parting (Type "A")

C/P 30"-53"



Part No.	"P" DIM	Header Height	List Price
CDH1-0111N	6 1/2"	21"	\$47.00
CDH1-0112N	10 1/2"	25"	\$62.00
CDH1-0113N	14 1/2"	29"	\$62.00
CDH1-0114N	18 1/2"	33"	\$62.00
CDH1-0115N	22 1/2"	37"	\$62.00
CDH1-0116N	26 1/2"	41"	\$77.00

Part No.	"P" DIM	Header Height	List Price
CDH3-0061N*	9 1/2"	23"	\$47.00
CDH3-0062N*	13 1/2"	27"	\$62.00
CDH3-0063N*	17 1/2"	31"	\$62.00
CDH3-0064N*	21 1/2"	35"	\$62.00
CDH3-0065N*	25 1/2"	39"	\$62.00
CDH3-0066N*	29 1/2"	43"	\$77.00

Center Parting w/ Pivot Support Bracket Drillings (Type "A")



Part No.	"P" DIM	Header Height	C/P	List Price
CDH3-0067N*	9 1/2"	23"	34"-39"	\$47.00
CDH3-0289N*	9 1/2"	23"	40"-44"	\$47.00
CDH3-0068N*	13 1/2"	27"	30"-33"	\$62.00
CDH3-0069N*	13 1/2"	27"	34"-39"	\$62.00
CDH3-0070N*	13 1/2"	27"	40"-44"	\$62.00
CDH3-0071N*	13 1/2"	27"	45"-49"	\$62.00
CDH3-0072N*	13 1/2"	27"	50"-53"	\$62.00
CDH3-0073N*	17 1/2"	31"	30"-33"	\$62.00
CDH3-0074N*	17 1/2"	31"	34"-39"	\$62.00
CDH3-0075N*	17 1/2"	31"	40"-44"	\$62.00
CDH3-0076N*	17 1/2"	31"	45"-49"	\$62.00
CDH3-0077N*	17 1/2"	31"	50"-53"	\$62.00
CDH3-0078N*	21 1/2"	35"	30"-33"	\$62.00

Part No.	"P" DIM	Header Height	C/P	List Price
CDH3-0079N*	21 1/2"	35"	34"-39"	\$62.00
CDH3-0080N*	21 1/2"	35"	40"-44"	\$62.00
CDH3-0081N*	21 1/2"	35"	45"-49"	\$62.00
CDH3-0082N*	21 1/2"	35"	50"-53"	\$62.00
CDH3-0083N*	25 1/2"	39"	30"-33"	\$62.00
CDH3-0084N*	25 1/2"	39"	34"-39"	\$62.00
CDH3-0085N*	25 1/2"	39"	40"-44"	\$62.00
CDH3-0086N*	25 1/2"	39"	45"-53"	\$62.00
CDH3-0087N*	29 1/2"	43"	30"-33"	\$77.00
CDH3-0088N*	29 1/2"	43"	34"-39"	\$77.00
CDH3-0089N*	29 1/2"	43"	40"-44"	\$77.00
CDH3-0090N*	29 1/2"	43"	45"-49"	\$77.00
CDH3-0091N*	29 1/2"	43"	50"-53"	\$77.00

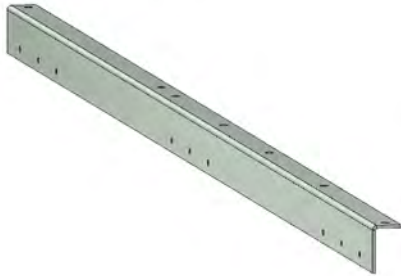
DOOR EQUIPMENT

Hanger Parts

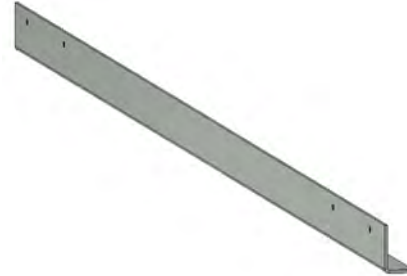
Hi-Cab Kit Parts

Car & Hatch
Hanger Parts

Operator Support Angles (Type "A")



Pivot Support Bracket Angles (Type "A")



Part No.	Header Height	C/P	List Price
CDH3-0092N*	23"	30"-32"	\$47.00
CDH3-0093N*	23"	33"	\$47.00
CDH3-0094N*	23"	34"-39"	\$47.00
CDH3-0095N*	23"	40"-44"	\$47.00
CDH3-0096N*	23"	45"-49"	\$47.00
CDH3-0097N*	23"	50"-53"	\$47.00
CDH3-0098N*	27"	30"-32"	\$47.00
CDH3-0099N*	27"	33"	\$47.00
CDH3-0100N*	27"	34"-39"	\$47.00
CDH3-0101N*	27"	40"-44"	\$47.00
CDH3-0102N*	27"	45"-49"	\$47.00
CDH3-0103N*	27"	50"-53"	\$47.00
CDH3-0104N*	31"	30"-32"	\$47.00
CDH3-0105N*	31"	33"	\$47.00
CDH3-0106N*	31"	34"-39"	\$47.00
CDH3-0107N*	31"	40"-44"	\$47.00
CDH3-0108N*	31"	45"-49"	\$47.00
CDH3-0109N*	31"	50"-53"	\$47.00
CDH3-0110N*	35"	30"-32"	\$47.00
CDH3-0111N*	35"	33"	\$47.00
CDH3-0095N*	35"	34"-39"	\$47.00
CDH3-0112N*	35"	40"-44"	\$47.00
CDH3-0113N*	35"	45"-49"	\$47.00
CDH3-0114N*	35"	50"-53"	\$47.00
CDH3-0115N*	39"	30"-32"	\$47.00
CDH3-0116N*	39"	33"	\$47.00
CDH3-0101N*	39"	34"-39"	\$47.00
CDH3-0117N*	39"	40"-44"	\$47.00
CDH3-0118N*	39"	45"-49"	\$47.00
CDH3-0119N*	39"	50"-53"	\$47.00
CDH3-0120N*	43"	30"-32"	\$47.00
CDH3-0121N*	43"	33"	\$47.00
CDH3-0117N*	43"	34"-39"	\$47.00
CDH3-0122N*	43"	40"-44"	\$47.00
CDH3-0123N*	43"	45"-49"	\$47.00
CDH3-0124N*	43"	50"-53"	\$47.00

Part No.	Header Height	C/P	List Price
CDH3-0125N*	27"	30"-32"	\$47.00
CDH3-0126N*	27"	33"	\$47.00
CDH3-0127N*	27"	34"-39"	\$47.00
CDH3-0128N*	27"	40"-44"	\$47.00
CDH3-0129N*	27"	45"-49"	\$47.00
CDH3-0130N*	27"	50"-53"	\$47.00
CDH3-0131N*	31"	30"-32"	\$47.00
CDH3-0132N*	31"	33"	\$47.00
CDH3-0133N*	31"	34"-39"	\$47.00
CDH3-0134N*	31"	40"-44"	\$47.00
CDH3-0135N*	31"	45"-49"	\$47.00
CDH3-0136N*	31"	50"-53"	\$47.00
CDH3-0137N*	35"	30"-32"	\$47.00
CDH3-0138N*	35"	33"	\$47.00
CDH3-0139N*	35"	34"-39"	\$47.00
CDH3-0140N*	35"	40"-44"	\$47.00
CDH3-0141N*	35"	45"-49"	\$47.00
CDH3-0142N*	35"	50"-53"	\$47.00
CDH3-0143N*	39"	30"-32"	\$47.00
CDH3-0144N*	39"	33"	\$47.00
CDH3-0128N*	39"	34"-39"	\$47.00
CDH3-0145N*	39"	40"-44"	\$47.00
CDH3-0146N*	39"	45"-49"	\$47.00
CDH3-0147N*	39"	50"-53"	\$47.00
CDH3-0148N*	43"	30"-32"	\$47.00
CDH3-0149N*	43"	33"	\$47.00
CDH3-0145N*	43"	34"-39"	\$47.00
CDH3-0150N*	43"	40"-44"	\$47.00
CDH3-0151N*	43"	45"-49"	\$47.00
CDH3-0152N*	43"	50"-53"	\$47.00





DOOR EQUIPMENT

Hanger Parts

Hi-Cab Kit Parts

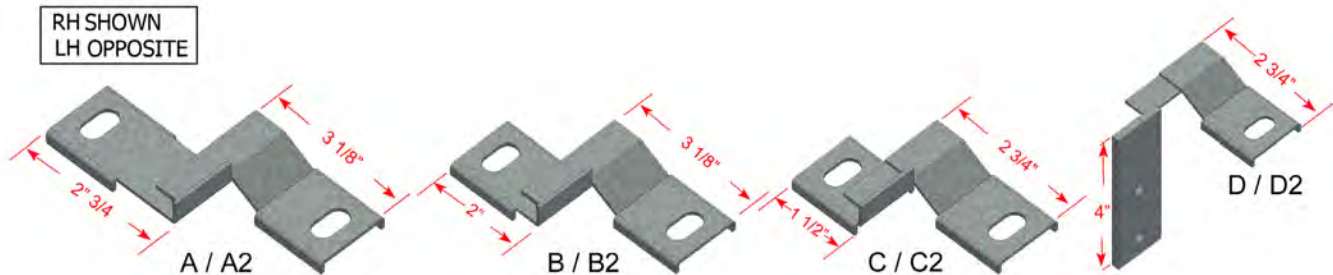
Car & Hatch
Hanger Parts

Hi-Cab Kit Hardware

CDH2-0107N	CDH3-0230N	CDH1-0119N	CDH1-0118N
			
Hardware, 2/SP Hi-Cab Kit Header Height: 17" & UP Where Used: A List Price: \$29.40	Hardware, C/P Hi-Cab Kit Header Height: 19" & UP Where Used: A List Price: \$15.40	Hardware, S/S - 2/SP, 4" Channel Extension Header Height: 17" & 19" Where Used: A, AX, HA List Price: \$4.80	Hardware, S/S - 2/SP, Hi-Cab Kit Header Height: 17" & UP Where Used: A, AX, HA List Price: \$29.40

Mechanical Interconnecting Devices

Type "A" Hanger



- (A): Conventional
- (B): Water Resistant

Note: All Ferrous Material Yellow Zinc Dichromate Plated

Part No (A)	Part No (B)	Description	List Price (A)	List Price (B)
HH2-0172L/R	HH20-0077L/R	"A" Set, 1 1/2" C.L. Track, 3/8" Mounting Bolts 2/SP D.O: 31"-32", 35"-36", 39"-40", 43"-44", 47"-48"	\$21.60	\$44.00
HH2-0176L/R	HH20-0081L/R	"A2" Set, 1 1/2" C.L. Track, 1/2" Mounting Bolts 2/SP D.O: 31"-32", 35"-36", 39"-40", 43"-44", 47"-48"	\$21.60	\$44.00
HH2-0173L/R	HH20-0078L/R	"B" Set, 1 1/2" C.L. Track, 3/8" Mounting Bolts 2/SP D.O: 29"-30", 33"-34", 37"-38", 41"-42", 45"-46"	\$21.60	\$44.00
HH2-0177L/R	HH20-0082L/R	"B2" Set, 1 1/2" C.L. Track, 1/2" Mounting Bolts 2/SP D.O: 29"-30", 33"-34", 37"-38", 41"-42", 45"-46"	\$21.60	\$44.00
HH2-0174L/R	HH20-0079L/R	"C" Set, 1 1/2" C.L. Track, 3/8" Mounting Bolts 2/SP: 24"-28" D.O., 2SP/CP: 33"-73" D.O.	\$21.60	\$44.00
HH2-0178L/R	HH20-0083L/R	"C2" Set, 1 1/2" C.L. Track, 1/2" Mounting Bolts 2/SP: 24"-28" D.O., 2SP/CP: 33"-73" D.O.	\$21.60	\$44.00
HH2-0175L/R	HH20-0080L/R	"D" Set, 1 1/2" C.L. Track, 3/8" Mounting Bolts 2/SP: 49"-72" D.O., 3/SP: 30"-69" D.O.	\$21.60	\$44.00
HH2-0179L/R	HH20-0084L/R	"D2" Set, 1 1/2" C.L. Track, 1/2" Mounting Bolts 2/SP: 49"-72" D.O., 3/SP: 30"-69" D.O.	\$21.60	\$44.00

DOOR EQUIPMENT

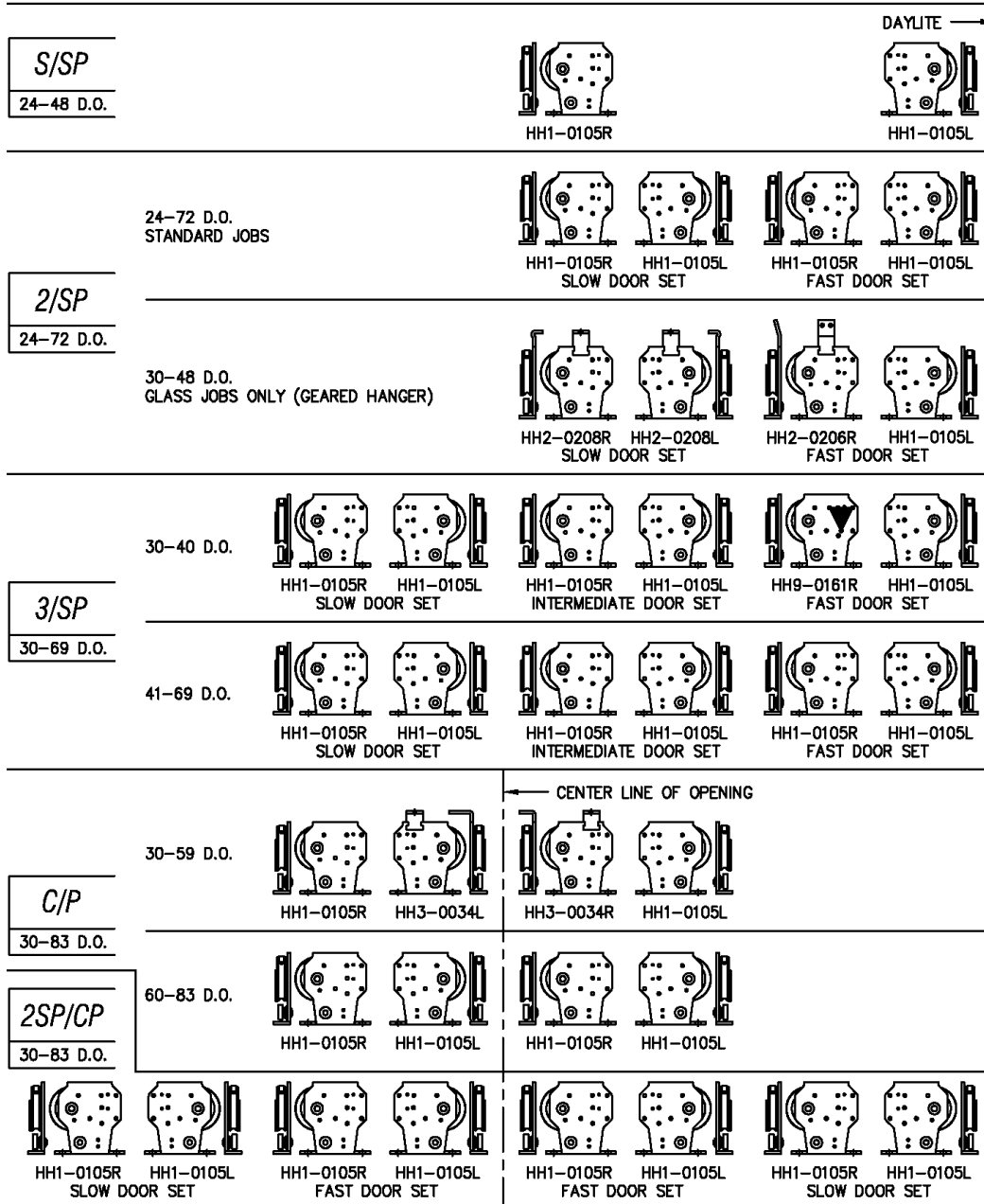
Hanger Parts

Sheave Assemblies (Type "A")

Conventional Sheaves Chart

- HATCH DOORS -

(SHEAVES INCLUDE SAFETY RETAINERS)



SIDE SLIDE DOORS { LEFT HAND SHOWN
RIGHT HAND OPPOSITE

NOTE:
PART NUMBERS ARE FOR COMPLETE
SHEAVE ASSEMBLIES.

DOOR EQUIPMENT

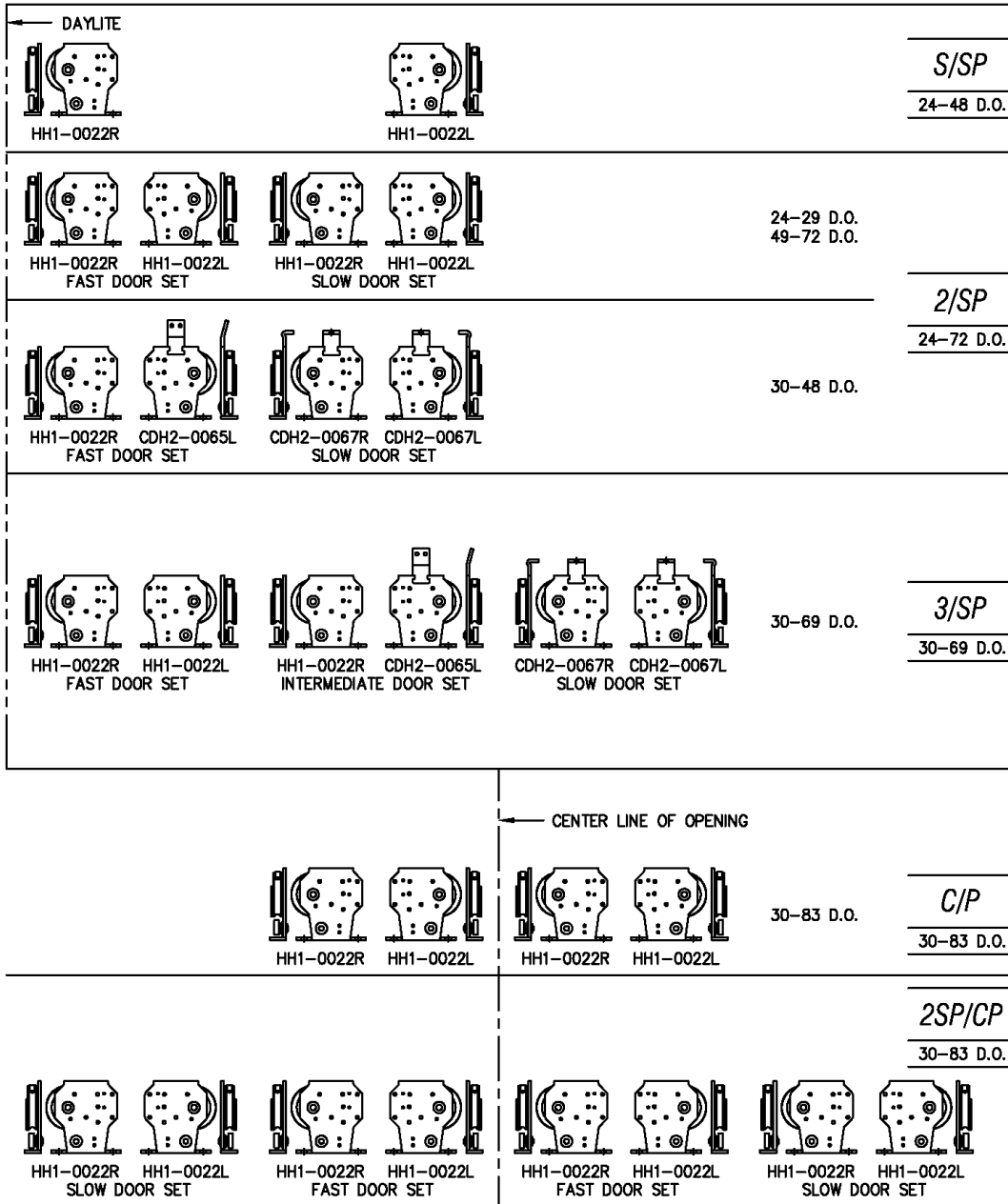
Hanger Parts

Sheave Assemblies (Type "A")

Car & Hatch
Hanger Parts

Conventional Sheaves Chart

- CAR DOORS -



SIDE SLIDE DOORS { LEFT HAND SHOWN
RIGHT HAND OPPOSITE

NOTE:
PART NUMBERS ARE FOR COMPLETE
SHEAVE ASSEMBLIES.

DOOR EQUIPMENT

Hanger Parts

Sheave Assemblies (Type "A")

Water & Vandal Resistant Sheaves Chart

Single Speed (30"-42" D.O.)					
Type	Sheave Location	Hatch Part No. & List Price		Car Part No. & List Price	
AW	Front & Rear	HH19-0030L/R	\$100.00	CDH19-0040L/R	\$88.00
HA	Front	HH1-0105L/R	\$50.00	HH1-0022L/R	\$44.00
	Rear	HH13-0075L/R	\$77.00	CDH13-0094L/R	\$71.00
HA NYC	Front	HH1-0105L/R	\$50.00	HH1-0105L/R	\$50.00
	Rear	HH13-0075L/R	\$77.00	CDH13-0095L/R	\$77.00

Two Speed (30"-48" D.O.)					
Type	Sheave Location	Hatch Part No. & List Price		Car Part No. & List Price	
AW	Fast Door (Front)	HH19-0030L/R	\$100.00	CDH19-0040L/R	\$88.00
	Fast Door (Rear)			CDH20-0079L/R	\$106.00
	Slow Door (Front)			CDH20-0080L/R	\$106.00
	Slow Door (Rear)			CDH20-0080L/R	\$106.00
HA	Fast Door (Front)	HH1-0105L/R **	\$50.00	HH1-0022L/R	\$44.00
	Fast Door (Rear)			CDH2-0065L/R	\$53.00
	Slow Door (Front)			CDH2-0067L/R	\$53.00
	Slow Door (Rear)				
HA NYC	Fast Door (Front)	HH1-0105L/R **	\$50.00	HH1-0105L/R	\$50.00
	Fast Door (Rear)			HH2-0206L/R	\$59.00
	Slow Door (Front)			HH2-0208L/R	\$59.00
	Slow Door (Rear)				

**HA and HA NYC Note: For 2/SP 30"-32" D.O. hatch hangers rear fast door sheave use HH14-0073L/R. List Price \$77.00

Special Center Line Sheave Assemblies Available

Beside the standard 4 1/8" center line with 3/8"-16 pendent bolts for sheave assemblies, G.A.L. can supply other center line and bolt configurations upon request for additional cost:

- 4", 4 1/8", 4 1/4", 4 5/8", 4 3/4" center line with 1/2"-13 Pendent Bolts
- 3 3/4", 4", 4 1/4", 4 1/2", 4 3/4" center line with 3/8"-16 Pendent Bolts

Conventional, 4 1/8" C.L. with 1/2-13 Bolts

CDH2-0195L/R



Sheave, 4 1/8 CL With 1/2" Bolts Gear, Fast Door
Where Used: A (Car Hanger)
List Price: \$68.00

CDH2-0196L/R



Sheave, 4 1/8 CL With 1/2" Bolts Gear, Slow Door
Where Used: A (Car Hanger)
List Price: \$68.00

HH1-0114L/R



Sheave, 4 1/8" CL With 1/2-13 Bolts For All Door Style
Where Used: A (Hatch & Car Hanger)
List Price: \$59.00

DOOR EQUIPMENT

Hanger Parts

Sheave Assemblies (Type "A")

Car & Hatch
Hanger Parts

Conventional, 4 1/8" C.L. with 1/2-13 Bolts

HH1-0115L/R



L.H. SHOWN
R.H. OPPOSITE

Sheave, 4 1/8" CL With 1/2-13 Bolts, With Top Safety Retainer
Where Used: A (Hatch Hanger)
List Price: \$65.00

HH3-0121L/R



L.H. SHOWN
R.H. OPPOSITE

Sheave, C/P 4-1/8" CL With 1/2-13 Bolts, With Top Safety Retainers
Where Used: A (Hatch Hanger)
List Price: \$74.00

HH9-0162L/R



L.H. SHOWN
R.H. OPPOSITE

Sheave, 4-1/8" CL 1/2"-13 Bolts, With Top Safety Retainers & Special "MO" Drillings, 3/SP 30"-40" D.O.
Where Used: A (Hatch Hanger)
List Price: \$59.00

Conventional, 4 1/8" C.L. with 3/8-16 Bolts

HH3-0034L/R



L.H. SHOWN
R.H. OPPOSITE

Sheave, C/P 4 1/8" CL Sheave With 3/8"-16 Bolts, With Top Safety Retainers
Where Used: A (Hatch Hanger)
List Price: \$59.00

HH9-0161L/R



L.H. SHOWN
R.H. OPPOSITE

Sheave, 4 1/8" CL 3/8-16 Bolts Fast Rear, With Top Safety Retainers & Special "MO" Drillings, 3/SP 30"-40" D.O.
Where Used: A (Hatch Hanger)
List Price: \$50.00

CDH2-0065L/R



L.H. SHOWN
R.H. OPPOSITE

Sheave, 4 1/8" CL Sheave With 3/8"-16 Bolts, 2/SP Cable Gear, Fast Door
Where Used: A, HA (Car Hanger)
List Price: \$53.00

CDH2-0067L/R



L.H. SHOWN
R.H. OPPOSITE

Sheave, 4 1/8" CL Sheave With 3/8"-16 Bolts, 2/SP Cable Gear Bar, Slow Door
Where Used: A, HA (Car Hanger)
List Price: \$53.00

HH1-0022L/R



L.H. SHOWN
R.H. OPPOSITE

Sheave, 4 1/8" CL With 3/8-16 Bolts
Where Used: A, HA (Car Hanger)
List Price: \$44.00

HH1-0105L/R



L.H. SHOWN
R.H. OPPOSITE

Sheave, 4-1/8 CL With 3/8-16 Bolts, With Top Safety Retainer
Where Used: A, NYCHA (Car & Hatch Hangers)
List Price: \$50.00

CDH13-0094L/R



L.H. SHOWN
R.H. OPPOSITE

Sheave, 4 1/8" CL With 3/8-16 Bolts, "HA" Hanger, Rear
Where Used: HA (Car Hanger)
List Price: \$71.00

CDH13-0095L/R



L.H. SHOWN
R.H. OPPOSITE

Sheave, 4 1/8" CL With 3/8 Bolt NYC HA Hanger, Rear Sheave With Top Safety Retainers
Where Used: NYCHA (Car Hanger)
List Price: \$77.00

DOOR EQUIPMENT

Hanger Parts

Sheave Assemblies (Type "A")

Conventional, 4 1/8" C.L. with 3/8-16 Bolts

HH13-0075L/R



L.H. SHOWN
R.H. OPPOSITE

Sheave, 4 1/8" CL 3/8-16 Bolts "MO" Rear, With Top Safety Retainers
Where Used: HA (Hatch Hanger)
List Price: \$77.00

HH14-0073L/R



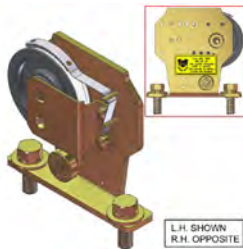
L.H. SHOWN
R.H. OPPOSITE

Sheave, 4 1/8" CL 3/8-16 Bolts "MO" Rear, With Top Safety Retainer
Where Used: HA (Hatch Hanger)
List Price: \$77.00

Water Resistant

Note: All ferrous material are yellow zinc dichromate plated

CDH19-0040L/R



L.H. SHOWN
R.H. OPPOSITE

Sheave, 4 1/8" CL W 3/8-16 Bolts, Yellow Zinc Dichromate
Where Used: AW (Car Hanger)
List Price: \$88.00

CDH20-0079L/R



L.H. SHOWN
R.H. OPPOSITE

Sheave, 4 1/8" CL With 3/8-16 Bolts Gear Fast Door-Intermediate Door Sheave Yellow Zinc Dichromate
Where Used: AW (Car Hanger)
List Price: \$106.00

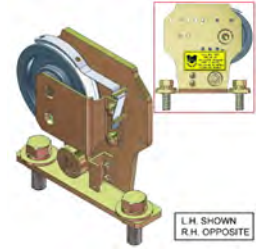
CDH20-0080L/R



L.H. SHOWN
R.H. OPPOSITE

Sheave, 4 1/8" CL With 3/8-16 Bolts Gear Slow Door Sheave- Yellow Zinc Dichromate
Where Used: AW (Car Hanger)
List Price: \$106.00

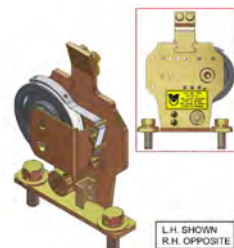
HH19-0030L/R



L.H. SHOWN
R.H. OPPOSITE

Sheave, 4 1/8" CL With 3/8-16 Bolts, With Top Safety Retainer Yellow Zinc Dichromate
Where Used: AW (Hatch Hanger)
List Price: \$100.00

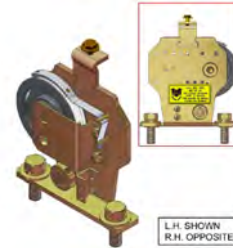
HH20-0088L/R



L.H. SHOWN
R.H. OPPOSITE

Sheave, 4 1/8" CL With 3/8-16 Bolts Gear Fast Door Sheave With Top Safety Retainer Yellow Zinc Dichromate
Where Used: AW (Hatch Hanger)
List Price: \$118.00

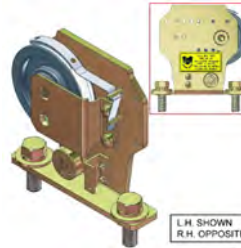
HH20-0089L/R



L.H. SHOWN
R.H. OPPOSITE

Sheave, 4 1/8" CL With 3/8-16 Bolts Gear Slow Door-Intermediate Door Sheave With Top Safety Retainer/Yellow Zinc Dichromate
Where Used: AW (Hatch Hanger)
List Price: \$118.00

HH19-0031L/R



L.H. SHOWN
R.H. OPPOSITE

Sheave, 4 1/8" CL With 1/2-13 Bolts, With Top Safety Retainer Yellow Zinc Dichromate
Where Used: AW (Hatch Hanger)
List Price: \$130.00

DOOR EQUIPMENT

Hanger Parts

Car & Hatch
Hanger Parts

Specialty Sheave Assemblies (Type A")

CDH3-0269L/R



L.H. SHOWN
R.H. OPPOSITE

Sheave, C/P Vertical Gear 4 1/8" CL
3/8-16 Bolt, With Bent & Notched
Bracket With Clamp
Where Used: A (Car Hanger)
List Price: \$59.00

CDH3-0270L



Sheave, C/P Vertical Gear 4 1/8" CL
3/8-16 Bolt, With Clamp
Where Used: A (Car Hanger)
List Price: \$59.00

CDH3-0295L



Sheave, C/P Vertical Gear 4 1/8"
CL 3/8-16 Bolt, Used When LWZ-2
Clutches Required
Where Used: A (Car Hanger)
List Price: \$59.00

HH2-0206L/R



L.H. SHOWN
R.H. OPPOSITE

Sheave, 2/SP Cable Gear, With Top
Safety Retainers (Glass Doors)
Where Used: A, NYCHA (Car &
Hatch Hangers)
List Price: \$59.00

HH2-0208L/R



L.H. SHOWN
R.H. OPPOSITE

Sheave, 2/SP Cable Gearing Bar,
With Top Safety Retainers (Glass
Doors)
Where Used: A, NYCHA (Car &
Hatch Hangers)
List Price: \$59.00

HH17-0018L/R



L.H. SHOWN
R.H. OPPOSITE

Sheave, 4 1/8" CL 3/8-16 Bolts Flat,
For Westinghouse III-LOW & Otis
I Integral
List Price: \$87.00

HH17-0031L/R



L.H. SHOWN
R.H. OPPOSITE

Sheave, 4 1/8" CL 3/8-16 Bolts Flat,
For Westinghouse III-LOW & Otis
I Integral
List Price: \$90.00

HH17-0046L/R



L.H. SHOWN
R.H. OPPOSITE

Sheave, C/P 4 1/8" CL Westing-
house IV & V, With Sheave Mount-
ing Bar & Spacer
List Price: \$82.00

Old Style Sheaves

Type "OS" (2 1/4" Roller)

HH10-0035N



BACK VIEW

Sheave, Type "OS" 2 1/4 Roller, With Top Safety
Retainers Arranged For Reel Closer & MO Drill-
ings
List Price: \$107.00

HH10-0036N



BACK VIEW

Sheave, Type "OS" 2 1/4 Roller, With Top Safety
Retainers
List Price: \$107.00

HH12-0091N



BACK VIEW

Sheave, "OS" 2 1/4" Roller Geared Hanger, With
Top Safety Retainers
List Price: \$116.00

DOOR EQUIPMENT

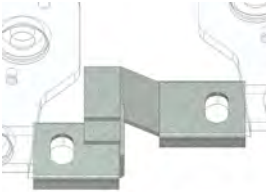
Hanger Parts

Car & Hatch
Hanger Parts

Mechanical Interconnecting Device (Two Speed)

Type "OS" (2 1/4" Roller)

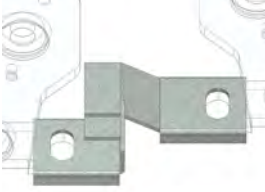
HH2-0173L/R



Description
Mechanical Interconnecting Device "B" Set, 1 1/2" C.L., 3/8" Mounting Bolts
List Price: \$21.60

L.H. SHOWN
R.H. OPPOSITE

HH2-0174L/R



Description
Mechanical Interconnecting Device "C" Set, 1 1/2" C.L., 3/8" Mounting Bolts
List Price: \$21.60

L.H. SHOWN
R.H. OPPOSITE

Sheave Assembly Parts

Roller Kits

HH10-0041N



Description
Roller Kit, 2-1/4 Diameter Type "OS"
Where Used: 2 1/4 "OS" Hanger
List Price: \$47.00

HH1-0025N



Description
Roller Kit, 3 1/4" Diameter "A"
Where Used: A, AW, AX, HA, I (round doors)
List Price: \$24.80

Oiler/ Cleaners

HH1-0149N

30 UNIT PACKAGE



Oiler Package, 3-1/4 Type A Hanger
Roller, Package Contains 30 Units
Where Used: A, AW, AX, HA, I
(round doors)
List Price: \$93.00

HH1-0026N



Oiler/Cleaner, 3 1/4" Diameter "A"
Where Used: A, AW, AX, HA, I
(round doors)
List Price: \$3.20

HH10-0044N



Oiler/Cleaner, 2 1/4 Type "OS"
Where Used: 2 1/4 "OS" Hanger
List Price: \$3.20

HH5-0029N



Oiler, Type "C" Hanger 3-1/4" Roll-
er
Where Used: Type "C" Carrier
List Price: \$6.20


DOOR EQUIPMENT

Hanger Parts

Car & Hatch
Hanger Parts

Top Safety Retainers - 2 1/4 Old Style

HH10-0045N



Description
Retainer Assembly, Type "OS" Top Safety, 3/8-16 x 1 1/2" Lg. Bolt-w/ 10-32
Where Used: 2 1/4 "OS" Hanger
List Price: \$7.80

HH10-0046N



Description
Retainer Assembly, Type "OS" Top Safety, 3/8-16 x 2" Lg. Bolt-w/ 10-32 x 5/8
Where Used: 2 1/4 "OS" Hanger
List Price: \$7.80

Top Safety Retainers & Jig (Type "A")

HH1-0112N



Description
Retainer, Type "A" Hanger Top Safety
Where Used: A, HA, NYCHA
List Price: \$6.20


HH1-0133N



Description
Jig, Top Safety Retainer
Where Used: A
List Price: \$24.80

Sheave Eccentric Rollers

HH1-0024N



Eccentric, "A" & "OS" Sheave
Where Used: A, "OS"
List Price: \$6.20

HH5-0030N



Roller, "C" Hanger Up-Thrust Eccentric, & Clip
Type "C"
Where Used: Type "C" Carrier
List Price: \$12.40

HH5-0031N



Roller, "C" Hanger Up-Thrust Eccentric, & Screw
Type "C"
Where Used: Type "C" Carrier
List Price: \$12.40

DOOR EQUIPMENT

Hanger Parts

Cable Clamps (Car Header)

Car & Hatch
Hanger Parts

Conventional

Part No.	Description	Where Used	List Price
CDH1-0020N	Clamp, SS-CP Hanger Safety Edge Cable	A, HA, NYCHA	\$15.40
CDH2-0083N	Clamp, 2SP-2SP/CP Hanger Safety Edge Cable	A, HA, NYCHA	\$15.40
CDH9-0123N	Clamp, 3/SP Hanger Safety Edge Cable	A	\$15.40



Water Resistant

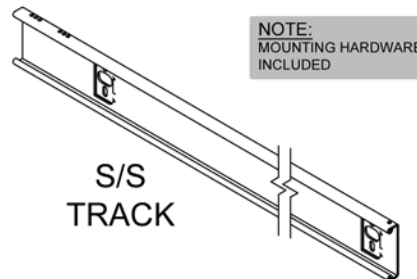
Note: All ferrous material are yellow zinc dichromate plated

Part No.	Description	Where Used	List Price
CDH21-0035N	Clamp, SS-CP Hanger SE Cable, Yellow Zinc Dichromate	AW	\$31.00
CDH20-0029N	Clamp, 2S-2SP/CP Hanger Safety Edge Cable, Yellow Zinc Dichromate	AW	\$31.00



Car Door Tracks

Single Speed



Conventional & Water Resistant

- (A): Conventional
- (B): Water Resistant

Note: All Ferrous Material Yellow Zinc Dichromate Plated

Part No (A)	Part No (B)	S/S	Track Length	List Price (A)	List Price (B)
CDH1-0095N	CDH19-0029N	22"-24"	46"	\$62.00	\$124.00
CDH1-0096N	CDH19-0030N	25"-27"	52"	\$62.00	\$124.00
CDH1-0097N	CDH19-0031N	28"-30"	58"	\$62.00	\$124.00
CDH1-0098N	CDH19-0032N	31"-33"	64"	\$62.00	\$124.00
CDH1-0099N	CDH19-0033N	34"-36"	70"	\$62.00	\$124.00
CDH1-0100N	CDH19-0035N	37"-39"	76"	\$62.00	\$124.00
CDH1-0101N	CDH19-0036N	40"-42"	82"	\$62.00	\$124.00
CDH1-0102N	CDH19-0037N	43"-45"	88"	\$118.00	\$179.00
CDH1-0103N	CDH19-0038N	46"-48"	94"	\$118.00	\$179.00

DOOR EQUIPMENT

Hanger Parts

Car Door Tracks

Car & Hatch
Hanger Parts

Single Speed

Vandal Resistant (HA)

(A): Without Bumper Drillings

(B): With Bumper Drillings

Part No (A)	Part No (B)	S/S	Track Length	List Price (A)	List Price (B)
CDH13-0058N*	CDH13-0134N	24"	48"	\$71.00	\$81.00
CDH13-0059N*	CDH13-0135N	25"	52"	\$71.00	\$81.00
CDH13-0060N*	CDH13-0136N	26"	52"	\$71.00	\$81.00
CDH13-0061N*	CDH13-0137N	27"	54"	\$71.00	\$81.00
CDH13-0062N*	CDH13-0138N	28"	58"	\$71.00	\$81.00
CDH13-0063N*	CDH13-0139N	29"	58"	\$71.00	\$81.00
CDH13-0064N*	CDH13-0140N	30"	60"	\$71.00	\$81.00
CDH13-0065N*	CDH13-0141N	31"	64"	\$71.00	\$81.00
CDH13-0066N*	CDH13-0142N	32"	64"	\$71.00	\$81.00
CDH13-0067N*	CDH13-0143N	33"	66"	\$71.00	\$81.00
CDH13-0068N*	CDH13-0144N	34"	70"	\$71.00	\$81.00
CDH13-0069N*	CDH13-0145N	35"	70"	\$71.00	\$81.00
CDH13-0070N*	CDH13-0146N	37"	72"	\$71.00	\$81.00
CDH13-0071N*	CDH13-0147N	38"	76"	\$71.00	\$81.00
CDH13-0072N*	CDH13-0148N	39"	76"	\$71.00	\$81.00
CDH13-0073N*	CDH13-0149N	40"	82"	\$71.00	\$81.00
CDH13-0074N*	CDH13-0150N	41"	82"	\$71.00	\$81.00
CDH13-0075N*	CDH13-0151N	42"	82"	\$71.00	\$81.00

Vandal Resistant (NYC HA)

Note: Single speed (NYC Housing Authority) tracks are arranged for front & rear bumpers.

Part No.	S/S	Track Length	List Price
CDH13-0076N	24"	48"	\$90.00
CDH13-0077N	25"	52"	\$90.00
CDH13-0078N	26"	52"	\$90.00
CDH13-0079N	27"	54"	\$90.00
CDH13-0080N	28"	58"	\$90.00
CDH13-0081N	29"	58"	\$90.00
CDH13-0082N	30"	60"	\$90.00
CDH13-0083N	31"	64"	\$90.00
CDH13-0084N	32"	64"	\$90.00

Part No.	S/S	Track Length	List Price
CDH13-0085N	33"	66"	\$90.00
CDH13-0086N	34"	70"	\$90.00
CDH13-0087N	35"	70"	\$90.00
CDH13-0088N	37"	72"	\$90.00
CDH13-0089N	38"	76"	\$90.00
CDH13-0090N	39"	76"	\$90.00
CDH13-0091N	40"	82"	\$90.00
CDH13-0092N	41"	82"	\$90.00
CDH13-0093N	42"	82"	\$90.00

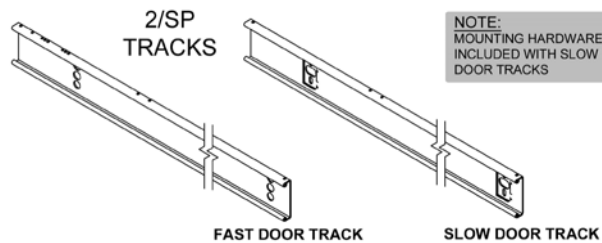
DOOR EQUIPMENT

Hanger Parts

Car Door Tracks

Car & Hatch
Hanger Parts

Two Speed



(A): Fast Door Track
(B): Slow Door Track

Conventional

Part No (A)	Part No (B)	2/SP	Track Length	List Price (A)	List Price (B)
CDH2-0110N	CDH2-0116N	24"	40"	\$62.00	\$62.00
CDH2-0111N	CDH2-0117N	25"	41"	\$62.00	\$62.00
CDH2-0112N	CDH2-0118N	26"	42"	\$62.00	\$62.00
CDH2-0113N	CDH2-0119N	27"	44"	\$62.00	\$62.00
CDH2-0114N	CDH2-0120N	28"	45"	\$62.00	\$62.00
CDH2-0033N	CDH2-0049N	29"-30"	46"	\$62.00	\$62.00
CDH2-0034N	CDH2-0050N	31"-32"	48"	\$62.00	\$62.00
CDH2-0035N	CDH2-0051N	33"-34"	52"	\$62.00	\$62.00
CDH2-0036N	CDH2-0052N	35"-36"	54"	\$62.00	\$62.00
CDH2-0037N	CDH2-0053N	37"-38"	58"	\$62.00	\$62.00
CDH2-0038N	CDH2-0054N	39"-40"	60"	\$62.00	\$62.00
CDH2-0039N	CDH2-0055N	41"-42"	64"	\$62.00	\$62.00
CDH2-0040N	CDH2-0056N	43"-44"	66"	\$62.00	\$62.00
CDH2-0041N	CDH2-0057N	45"-46"	70"	\$62.00	\$62.00
CDH2-0042N	CDH2-0058N	47"-48"	72"	\$62.00	\$62.00
CDH2-0043N	HH2-0043N	49"-52"	76"	\$62.00	\$90.00
CDH2-0044N	HH2-0044N	53"-56"	82"	\$62.00	\$90.00
CDH2-0045N	HH2-0045N	57"-60"	88"	\$62.00	\$90.00
CDH2-0046N	HH2-0046N	61"-64"	94"	\$62.00	\$90.00
CDH2-0047N	HH2-0047N	65"-68"	100"	\$90.00	\$118.00
CDH2-0048N	HH2-0048N	69"-72"	106"	\$90.00	\$118.00

Water Resistant

Note: All ferrous material are yellow zinc dichromate plated

Part No (A)	Part No (B)	2/SP	Track Length	List Price
CDH20-0041N	CDH20-0057N	30"	46"	\$124.00
CDH20-0042N	CDH20-0058N	31"-32"	48"	\$124.00
CDH20-0043N	CDH20-0059N	33"-34"	52"	\$124.00
CDH20-0044N	CDH20-0060N	35"-36"	54"	\$124.00
CDH20-0045N	CDH20-0061N	37"-38"	58"	\$124.00
CDH20-0046N	CDH20-0062N	39"-40"	60"	\$124.00
CDH20-0047N	CDH20-0063N	41"-42"	64"	\$124.00
CDH20-0048N	CDH20-0064N	43"-44"	66"	\$124.00
CDH20-0049N	CDH20-0065N	45"-46"	70"	\$124.00
CDH20-0050N	CDH20-0066N	47"-48"	72"	\$124.00
CDH20-0051N	CDH20-0067N	49"-52"	76"	\$124.00
CDH20-0052N	CDH20-0068N	53"-56"	82"	\$124.00
CDH20-0053N	CDH20-0069N	57"-60"	88"	\$124.00
CDH20-0054N	CDH20-0070N	61"-64"	94"	\$124.00
CDH20-0055N	CDH20-0071N	65"-68"	100"	\$179.00
CDH20-0056N	CDH20-0072N	69"-72"	106"	\$179.00

Vandal Resistant

Note: Contact G.A.L. Sales or Engineering for two speed-vandal resistant (HA) & (NYCHA) car door fast and slow tracks

DOOR EQUIPMENT

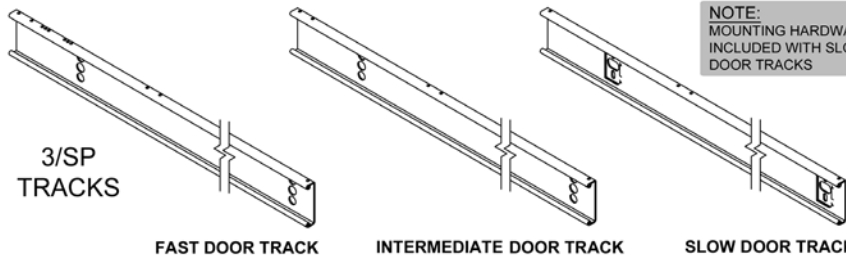
Hanger Parts

Car Door Tracks

Car & Hatch
Hanger Parts

Three Speed

Conventional



Part No (A)	Part No (B)	Part No (C)	3/SP	Track Length	List Price
CDH9-0041L/R	HH9-0081N	CDH9-0081N	30"	45"	\$62.00
CDH9-0042L/R	HH9-0082N	CDH9-0082N	31"	46"	\$62.00
CDH9-0043L/R	HH9-0083N	CDH9-0083N	32"	47"	\$62.00
CDH9-0044L/R	HH9-0084N	CDH9-0084N	33"	48"	\$62.00
CDH9-0045L/R	HH9-0085N	CDH9-0085N	34"	49"	\$62.00
CDH9-0046L/R	HH9-0086N	CDH9-0086N	35"	50"	\$62.00
CDH9-0047L/R	HH9-0087N	CDH9-0087N	36"	51"	\$62.00
CDH9-0048L/R	HH9-0088N	CDH9-0088N	37"	52"	\$62.00
CDH9-0049L/R	HH9-0089N	CDH9-0089N	38"	53"	\$62.00
CDH9-0050L/R	HH9-0090N	CDH9-0090N	39"	54"	\$62.00
CDH9-0051L/R	HH9-0091N	CDH9-0091N	40"	55"	\$62.00
CDH9-0052L/R	HH9-0092N	CDH9-0092N	41"	58"	\$62.00
CDH9-0053L/R	HH9-0093N	CDH9-0093N	42"	59"	\$62.00
CDH9-0054L/R	HH9-0094N	CDH9-0094N	43"	60"	\$62.00
CDH9-0055L/R	HH9-0095N	CDH9-0095N	44"	61"	\$62.00
CDH9-0056L/R	HH9-0096N	CDH9-0096N	45"	62"	\$62.00
CDH9-0057L/R	HH9-0097N	CDH9-0097N	46"	63"	\$62.00
CDH9-0058L/R	HH9-0098N	CDH9-0098N	47"	66"	\$62.00
CDH9-0059L/R	HH9-0099N	CDH9-0099N	48"	67"	\$62.00
CDH9-0060L/R	HH9-0100N	CDH9-0100N	49"	68"	\$62.00
CDH9-0061L/R	HH9-0101N	CDH9-0101N	50"	69"	\$62.00
CDH9-0062L/R	HH9-0102N	CDH9-0102N	51"	70"	\$62.00
CDH9-0063L/R	HH9-0103N	CDH9-0103N	52"	71"	\$62.00
CDH9-0064L/R	HH9-0104N	CDH9-0104N	53"	74"	\$90.00
CDH9-0065L/R	HH9-0105N	CDH9-0105N	54"	75"	\$90.00
CDH9-0066L/R	HH9-0106N	CDH9-0106N	55"	76"	\$90.00
CDH9-0067L/R	HH9-0107N	CDH9-0107N	56"	77"	\$90.00
CDH9-0068L/R	HH9-0108N	CDH9-0108N	57"	78"	\$90.00
CDH9-0069L/R	HH9-0109N	CDH9-0109N	58"	79"	\$90.00
CDH9-0070L/R	HH9-0110N	CDH9-0110N	59"	82"	\$90.00
CDH9-0071L/R	HH9-0111N	CDH9-0111N	60"	83"	\$90.00
CDH9-0072L/R	HH9-0112N	CDH9-0112N	61"	84"	\$90.00
CDH9-0073L/R	HH9-0113N	CDH9-0113N	62"	85"	\$90.00
CDH9-0074L/R	HH9-0114N	CDH9-0114N	63"	86"	\$90.00
CDH9-0075L/R	HH9-0115N	CDH9-0115N	64"	87"	\$90.00
CDH9-0076L/R	HH9-0116N	CDH9-0116N	65"	90"	\$90.00
CDH9-0077L/R	HH9-0117N	CDH9-0117N	66"	91"	\$90.00
CDH9-0078L/R	HH9-0118N	CDH9-0118N	67"	92"	\$90.00
CDH9-0079L/R	HH9-0119N	CDH9-0119N	68"	93"	\$90.00
CDH9-0080L/R	HH9-0120N	CDH9-0120N	69"	94"	\$90.00

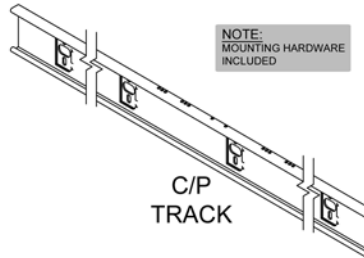
DOOR EQUIPMENT

Hanger Parts

Car Door Tracks

Car & Hatch Hanger Parts

Center Parting



Conventional

Part No.	C/P	Track Length	List Price
CDH3-0010N	30"-32"	64"	\$62.00
CDH3-0011N	33"-35"	70"	\$62.00
CDH3-0012N	36"-38"	76"	\$62.00
CDH3-0013N	39"-41"	82"	\$62.00
CDH3-0014N	42"-44"	88"	\$62.00

Part No.	C/P	Track Length	List Price
CDH3-0015N	45"-47"	94"	\$62.00
CDH3-0016N	48"-50"	100"	\$62.00
CDH3-0017N	51"-56"	106"	\$90.00
CDH3-0240N	57"-59"	112"	\$90.00

Water Resistant

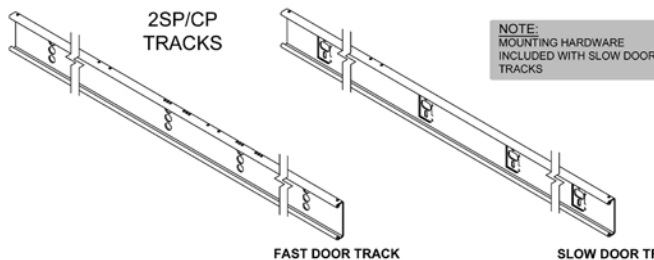
Note: All ferrous material are yellow zinc dichromate plated

Part No.	C/P	Track Length	List Price
CDH21-0020N	30"-32"	64"	\$647.00
CDH21-0021N	33"-35"	70"	\$647.00
CDH21-0023N	36"-38"	76"	\$647.00
CDH21-0024N	39"-41"	82"	\$647.00
CDH21-0026N	42"-44"	88"	\$647.00
CDH21-0027N	45"-47"	94"	\$647.00

Part No.	C/P	Track Length	List Price
CDH21-0028N	48"-49"	100"	\$647.00
CDH21-0029N	50"	100"	\$647.00
CDH21-0030N	51"-54"	106"	\$906.00
CDH21-0031N	55"-56"	106"	\$906.00
CDH21-0032N	57"-59"	112"	\$906.00

Two Speed Center Parting

Conventional



(A): Fast Door Track
(B): Slow Door Track

Part No (A)	Part No (B)	2SP/CP	Track Length	List Price
CDH4-0023N	CDH4-0041N	33"-35"	61"	\$62.00
CDH4-0024N	CDH4-0042N	36"-38"	64"	\$62.00
CDH4-0025N	CDH4-0043N	39"-41"	67"	\$62.00
CDH4-0026N	CDH4-0044N	42"-44"	70"	\$62.00
CDH4-0027N	CDH4-0045N	45"-47"	73"	\$62.00
CDH4-0028N	CDH4-0046N	48"-49"	76"	\$62.00
CDH4-0029N	CDH4-0047N	50"-51"	79"	\$62.00
CDH4-0030N	CDH4-0048N	52"-53"	82"	\$62.00
CDH4-0031N	CDH4-0049N	54"-55"	85"	\$62.00

Part No (A)	Part No (B)	2SP/CP	Track Length	List Price
CDH4-0032N	CDH4-0050N	56"-57"	88"	\$62.00
CDH4-0033N	CDH4-0051N	58"-59"	91"	\$62.00
CDH4-0034N	CDH4-0052N	60"-61"	94"	\$62.00
CDH4-0035N	CDH4-0053N	62"-63"	97"	\$62.00
CDH4-0036N	CDH4-0054N	64"-65"	100"	\$90.00
CDH4-0037N	CDH4-0055N	66"-67"	103"	\$90.00
CDH4-0038N	CDH4-0056N	68"-69"	106"	\$90.00
CDH4-0039N	CDH4-0057N	70"-71"	109"	\$90.00
CDH4-0040N	CDH4-0058N	72"-72"	112"	\$90.00

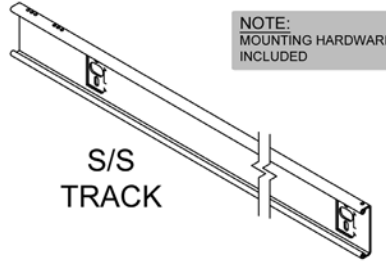
DOOR EQUIPMENT

Hanger Parts

Hatch Door Tracks

Car & Hatch
Hanger Parts

Single Speed



Conventional & Water Resistant

(A): Conventional
(B): Water Resistant

Note: All Ferrous Material Yellow Zinc Dichromate Plated

Part No (A)	Part No (B)	S/S	Track Length	List Price (A)	List Price (B)
HH1-0011N	HH19-0019N*	22"-24"	46"	\$62.00	\$124.00
HH1-0012N	HH19-0020N*	25"-27"	52"	\$62.00	\$124.00
HH1-0013N	HH19-0021N*	28"-30"	58"	\$62.00	\$124.00
HH1-0014N	HH19-0022N*	31"-33"	64"	\$62.00	\$124.00
HH1-0015N	HH19-0023N*	34"-36"	70"	\$62.00	\$124.00
HH1-0016N	HH19-0025N*	37"-39"	76"	\$62.00	\$124.00
HH1-0017N	HH19-0026N*	40"-42"	82"	\$62.00	\$124.00
HH1-0018N	HH19-0027N*	43"-45"	88"	\$95.00	\$190.00
HH1-0019N	HH19-0028N*	46"-48"	94"	\$95.00	\$190.00

Vandal Resistant (HA)

Part No.	S/S	Track Length	List Price	Part No.	S/S	Track Length	List Price
HH13-0038N*	24"	48"	\$81.00	HH13-0047N*	33"	65"	\$81.00
HH13-0039N*	25"	52"	\$81.00	HH13-0048N*	34", 36"	70"	\$81.00
HH13-0040N*	26"	52"	\$81.00	HH13-0049N*	35"	70"	\$81.00
HH13-0041N*	27"	54"	\$81.00	HH13-0050N*	37"	72"	\$81.00
HH13-0042N*	28"	58"	\$81.00	HH13-0051N*	38"	76"	\$81.00
HH13-0043N*	29"	58"	\$81.00	HH13-0052N*	39"	76"	\$81.00
HH13-0044N*	30"	60"	\$81.00	HH13-0053N*	40"	82"	\$81.00
HH13-0045N*	31"	64"	\$81.00	HH13-0054N*	41"	82"	\$81.00
HH13-0046N*	32"	64"	\$81.00	HH13-0055N*	42"	82"	\$81.00

Vandal Resistant (NYC HA)

Note: Single speed (NYC Housing Authority) tracks are arranged for front & rear bumpers.

Part No.	S/S	Track Length	List Price	Part No.	S/S	Track Length	List Price
HH13-0056N*	24"	48"	\$121.00	HH13-0066N*	34", 36"	70"	\$121.00
HH13-0057N*	25"	52"	\$121.00	HH13-0067N*	35"	70"	\$121.00
HH13-0058N*	26"	52"	\$121.00	HH13-0068N*	34", 36"	70"	\$121.00
HH13-0059N*	27"	54"	\$121.00	HH13-0069N*	37"	72"	\$121.00
HH13-0060N*	28"	58"	\$121.00	HH13-0070N*	38"	76"	\$121.00
HH13-0061N*	29"	58"	\$121.00	HH13-0071N*	39"	76"	\$121.00
HH13-0062N*	30"	60"	\$121.00	HH13-0072N*	40"	82"	\$121.00
HH13-0063N*	31"	64"	\$121.00	HH13-0073N*	41"	82"	\$121.00
HH13-0064N*	32"	64"	\$121.00	HH13-0074N*	42"	82"	\$121.00
HH13-0065N*	33"	65"	\$121.00				

DOOR EQUIPMENT

Hanger Parts

Hatch Door Tracks

Car & Hatch Hanger Parts

Single Speed - (Old Style)

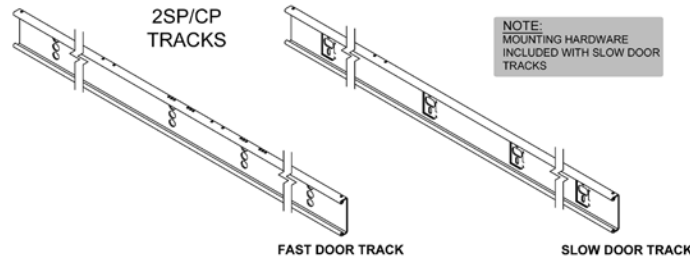
Conventional



Note: Not available in water resistant

Part No.	Track Length	List Price
HH10-0037N	90"	\$151.00
HH10-0047N	180"	\$302.00

Two Speed



Conventional

- (A): Fast Door Track
- (B): Slow Door Track

Part No (A)	Part No (B)	2/SP	Track Length	List Price
HH2-0196N	HH2-0201N	24"	40"	\$101.00
HH2-0197N	HH2-0202N	25"	41"	\$101.00
HH2-0198N	HH2-0203N	26"	42"	\$101.00
HH2-0199N	HH2-0204N	27"	44"	\$101.00
HH2-0200N	HH2-0205N	28"	45"	\$101.00
HH2-0017N	HH2-0033N	29"-30"	46"	\$62.00
HH2-0018N	HH2-0034N	31"-32"	48"	\$62.00
HH2-0019N	HH2-0035N	33"-34"	52"	\$62.00
HH2-0020N	HH2-0036N	35"-36"	54"	\$62.00
HH2-0021N	HH2-0037N	37"-38"	58"	\$62.00
HH2-0022N	HH2-0038N	39"-40"	60"	\$62.00

Part No (A)	Part No (B)	2/SP	Track Length	List Price
HH2-0023N	HH2-0039N	41"-42"	64"	\$62.00
HH2-0024N	HH2-0040N	43"-44"	66"	\$62.00
HH2-0025N	HH2-0041N	45"-46"	70"	\$62.00
HH2-0026N	HH2-0042N	47"-48"	72"	\$62.00
HH2-0027N	HH2-0043N	49"-52"	76"	\$90.00
HH2-0028N	HH2-0044N	53"-56"	82"	\$90.00
HH2-0029N	HH2-0045N	57"-60"	88"	\$90.00
HH2-0030N	HH2-0046N	61"-64"	94"	\$90.00
HH2-0031N	HH2-0047N	65"-68"	100"	\$118.00
HH2-0032N	HH2-0048N	69"-72"	106"	\$118.00

Water Resistant

- (A): Fast Door Track
- (B): Slow Door Track

Part No (A)	Part No (B)	2/SP	Track Length	List Price
HH20-0043N	HH20-0059N	30"	46"	\$124.00
HH20-0044N	HH20-0060N	31"-32"	48"	\$124.00
HH20-0045N	HH20-0061N	33"-34"	52"	\$124.00
HH20-0046N	HH20-0062N	35"-36"	54"	\$124.00
HH20-0047N	HH20-0063N	37"-38"	58"	\$124.00
HH20-0048N	HH20-0064N	39"-40"	60"	\$124.00
HH20-0049N	HH20-0065N	41"-42"	64"	\$124.00
HH20-0050N	HH20-0066N	43"-44"	66"	\$124.00

Part No (A)	Part No (B)	2/SP	Track Length	List Price
HH20-0051N	HH20-0067N	45"-46"	70"	\$124.00
HH20-0052N	HH20-0068N	47"-48"	72"	\$124.00
HH20-0053N	HH20-0069N	49"-52"	76"	\$179.00
HH20-0054N	HH20-0070N	53"-56"	82"	\$179.00
HH20-0055N	HH20-0071N	57"-60"	88"	\$179.00
HH20-0056N	HH20-0072N	61"-64"	94"	\$179.00
HH20-0057N	HH20-0073N	65"-68"	100"	\$235.00
HH20-0058N	HH20-0074N	69"-72"	106"	\$235.00

Vandal Resistant

- A) Contact G.A.L Engineering for two speed-vandal resistant (HA) hatch door fast and slow tracks
- B) Contact G.A.L Engineering for two speed-vandal resistant (NYC HA) hatch door fast and slow tracks

DOOR EQUIPMENT

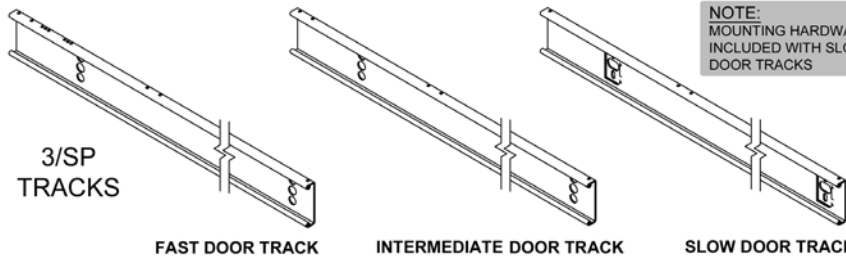
Hanger Parts

Hatch Door Tracks

Car & Hatch
Hanger Parts

Three Speed

Conventional



Part No (A)	Part No (B)	Part No (C)	3/SP	Track Length	List Price
HH9-0041L/R	HH9-0081L/R	HH9-0121N	30"	45"	\$62.00
HH9-0042L/R	HH9-0082L/R	HH9-0122N	31"	46"	\$62.00
HH9-0043L/R	HH9-0083L/R	HH9-0123N	32"	47"	\$62.00
HH9-0044L/R	HH9-0084L/R	HH9-0124N	33"	48"	\$62.00
HH9-0045L/R	HH9-0085L/R	HH9-0125N	34"	49"	\$62.00
HH9-0046L/R	HH9-0086L/R	HH9-0126N	35"	50"	\$62.00
HH9-0047L/R	HH9-0087L/R	HH9-0127N	36"	51"	\$62.00
HH9-0048L/R	HH9-0088L/R	HH9-0128N	37"	52"	\$62.00
HH9-0049L/R	HH9-0089L/R	HH9-0129N	38"	53"	\$62.00
HH9-0050L/R	HH9-0090L/R	HH9-0130N	39"	54"	\$62.00
HH9-0051L/R	HH9-0091L/R	HH9-0131N	40"	55"	\$62.00
HH9-0052L/R	HH9-0092L/R	HH9-0132N	41"	58"	\$62.00
HH9-0053L/R	HH9-0093L/R	HH9-0133N	42"	59"	\$62.00
HH9-0054L/R	HH9-0094L/R	HH9-0134N	43"	60"	\$62.00
HH9-0055L/R	HH9-0095L/R	HH9-0135N	44"	61"	\$62.00
HH9-0056L/R	HH9-0096L/R	HH9-0136N	45"	62"	\$62.00
HH9-0057L/R	HH9-0097L/R	HH9-0137N	46"	63"	\$62.00
HH9-0058L/R	HH9-0098L/R	HH9-0138N	47"	66"	\$62.00
HH9-0059L/R	HH9-0099L/R	HH9-0139N	48"	67"	\$62.00
HH9-0060L/R	HH9-0100L/R	HH9-0140N	49"	68"	\$62.00
HH9-0061L/R	HH9-0101L/R	HH9-0141N	50"	69"	\$62.00
HH9-0062L/R	HH9-0102L/R	HH9-0142N	51"	70"	\$62.00
HH9-0063L/R	HH9-0103L/R	HH9-0143N	52"	71"	\$62.00
HH9-0064L/R	HH9-0104L/R	HH9-0144N	53"	74"	\$90.00
HH9-0065L/R	HH9-0105L/R	HH9-0145N	54"	75"	\$90.00
HH9-0066L/R	HH9-0106L/R	HH9-0146N	55"	76"	\$90.00
HH9-0067L/R	HH9-0107L/R	HH9-0147N	56"	77"	\$90.00
HH9-0068L/R	HH9-0108L/R	HH9-0148N	57"	78"	\$90.00
HH9-0069L/R	HH9-0109L/R	HH9-0149N	58"	79"	\$90.00
HH9-0070L/R	HH9-0110L/R	HH9-0150N	59"	82"	\$90.00
HH9-0071L/R	HH9-0111L/R	HH9-0151N	60"	83"	\$90.00
HH9-0072L/R	HH9-0112L/R	HH9-0152N	61"	84"	\$90.00
HH9-0073L/R	HH9-0113L/R	HH9-0153N	62"	85"	\$90.00
HH9-0074L/R	HH9-0114L/R	HH9-0154N	63"	86"	\$90.00
HH9-0075L/R	HH9-0115L/R	HH9-0155N	64"	87"	\$90.00
HH9-0076L/R	HH9-0116L/R	HH9-0156N	65"	90"	\$90.00
HH9-0077L/R	HH9-0117L/R	HH9-0157N	66"	91"	\$90.00
HH9-0078L/R	HH9-0118L/R	HH9-0158N	67"	92"	\$90.00
HH9-0079L/R	HH9-0119L/R	HH9-0159N	68"	93"	\$90.00
HH9-0080L/R	HH9-0120L/R	HH9-0160N	69"	94"	\$90.00

DOOR EQUIPMENT

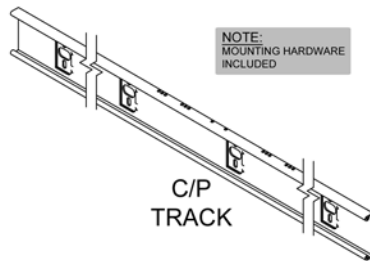
Hanger Parts

Car & Hatch
Hanger Parts

Hatch Door Tracks

Center Parting

Conventional



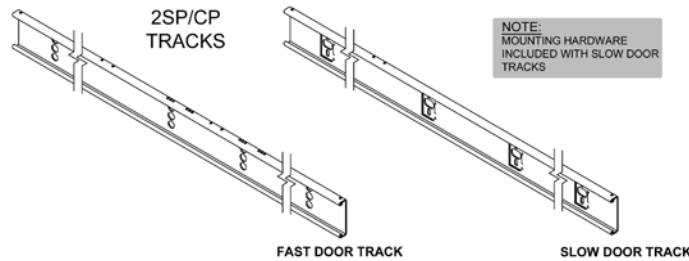
Note: Contact G.A.L. sales or engineering for order details and pricing for center parting water resistant tracks.

Part No.	C/P	Track Length	List Price
HH3-0170N	24"-26"	52"	\$62.00
HH3-0171N	27"-29"	58"	\$62.00
HH3-0009N	30"-32"	64"	\$62.00
HH3-0010N	33"-35"	70"	\$62.00
HH3-0011N	36"-38"	76"	\$62.00
HH3-0012N	39"-41"	82"	\$62.00

Part No.	C/P	Track Length	List Price
HH3-0013N	42"-44"	88"	\$62.00
HH3-0014N	45"-47"	94"	\$62.00
HH3-0015N	48"-50"	100"	\$90.00
HH3-0016N	51"-56"	106"	\$90.00
HH3-0017N	57"-59"	112"	\$90.00

Two Speed Center Parting

Conventional



(A): Fast Door Track
(B): Slow Door Track

Part No (A)	Part No (B)	2SP/CP	Track Length	List Price
HH4-0037N	HH4-0062N	33"-35"	61"	\$62.00
HH4-0038N	HH4-0063N	36"-38"	64"	\$62.00
HH4-0039N	HH4-0064N	39"-41"	67"	\$62.00
HH4-0040N	HH4-0065N	42"-44"	70"	\$62.00
HH4-0041N	HH4-0066N	45"-47"	73"	\$62.00
HH4-0042N	HH4-0067N	48"-49"	76"	\$62.00
HH4-0043N	HH4-0068N	50"-51"	79"	\$62.00
HH4-0044N	HH4-0069N	52"-53"	82"	\$62.00
HH4-0045N	HH4-0070N	54"-55"	85"	\$62.00

Part No (A)	Part No (B)	2SP/CP	Track Length	List Price
HH4-0046N	HH4-0071N	56"-57"	88"	\$62.00
HH4-0047N	HH4-0072N	58"-59"	91"	\$62.00
HH4-0048N	HH4-0073N	60"-61"	94"	\$62.00
HH4-0049N	HH4-0074N	62"-63"	97"	\$62.00
HH4-0050N	HH4-0075N	64"-65"	100"	\$90.00
HH4-0051N	HH4-0076N	66"-67"	103"	\$90.00
HH4-0052N	HH4-0077N	68"-69"	106"	\$90.00
HH4-0053N	HH4-0078N	70"-71"	109"	\$90.00
HH4-0054N	HH4-0079N	72"-73"	112"	\$90.00

DOOR EQUIPMENT

Hanger Parts

Track Angles

Car & Hatch
Hanger Hardware

CDH9-0133N



Angle, 3/SP Gear Cable 3 7/8" Anchor, 4 5/8" x 1 1/4" x 3/16" (2) 9/32" Punch(1).203 Punch 1/4-20 Tap
Where Used: A
List Price: \$56.00

HH3-0191N



Angle, C/P Cable Geared 2 3/4" x 3/4" , 11 Gauge
Where Used: A
List Price: \$18.60

HH17-0011N



Angle, C/P Westinghouse III Hatch Gearing
Where Used: A
List Price: \$31.00

HH2-0054N



Angle, Track Bottom 1 1/2" C.L.
Where Used: A, HA, NYCHA
List Price: \$15.40

HH2-0057N



Angle, Track Bottom 2" C.L.
Where Used: A
List Price: \$18.60

Track Brackets

HH4-0057N



Bracket, 2/SP Center Support, 2 1/2" x 2 5/16" x Gauge #11 & 1 1/2" C.L.
Where Used: A
List Price: \$15.40

HH4-0109N



Bracket, 2/SP Center Support, 2 3/4" x 2 5/16 x Gauge #11 & 1 3/4" C.L.
Where Used: A
List Price: \$15.40

HH2-0053N



Bracket, Track Top 1 1/2" C.L.
Where Used: A, HA, NYCHA
List Price: \$15.40

HH2-0056N



Bracket, Track Top 2" C.L.
Where Used: A
List Price: \$18.60

DOOR EQUIPMENT

Hanger Parts

Car & Hatch
Hanger Hardware

Track Brackets

HH2-0245N



Bracket, 2/SP Track Special Mounting, (6) Slots 11/32 x 3/4 Special Support 2 9/16"
Where Used: A
List Price: \$47.00

HH9-0171N*



Bracket, 3/SP Track Special Mounting, (8) Slots 11/32 x 3/4 Special Support 4 1/16"
Where Used: A
List Price: \$56.00

HH9-0169N



Bracket, 3/SP Track Special Mounting, 2 1/2" x 4 3/8" x 10 Gauge (Bend)
Where Used: A
List Price: \$56.00

HH2-0052L/R



Bracket, Track End 1 1/2" C.L., 2/SP
Where Used: A, HA, NYCHA
List Price: \$31.00

HH2-0055L/R



Bracket, Track End 2" C.L., 2/SP
Where Used: A
List Price: \$37.00

HH9-0163L/R



Bracket, 4 1/4" Track-3/SP End, Support 1 5/8 To 1 3/4 CL
Where Used: A
List Price: \$37.00

HH11-0060N



Bracket, Type "OS" Track End
Where Used: 2 1/4 "OS" Hanger
List Price: \$31.00

HH11-0061L/R



Bracket, Type "OS" Track End, Ear Cut Off
Where Used: 2 1/4 "OS" Hanger
List Price: \$31.00

Track Bumpers

HH4-0055N



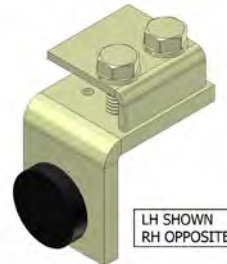
Bumper, "A" C/P Assembly Stop
Where Used: A, AX, HA, NYCHA
List Price: \$23.20

HH12-0094L/R



Bumper, Type "OS" C/P Assembly Stop
Where Used: 2 1/4 "OS" Hanger
List Price: \$27.80

HH21-0031L/R



Bumper, Type "OS" C/P Assembly Stop, Yellow Zinc Dichromate
Where Used: AW
List Price: \$56.00

HDW-0031N



Bumper, 1 1/8" x 1/4" Stop Rubber, 1/2" Lg. x 15/32" Diameter Threaded Base
Where Used: A, HA, NYCHA
List Price: \$1.60

DOOR EQUIPMENT

Hanger Parts

Plates & Clamps

Car & Hatch
Hanger Hardware

CDH2-0139N



Plate, 2/SP Gearing Bar Guide, # 11 Gauge 2 1/4" x 5/8"-(2) 9/32" Diameter
Where Used: A
List Price: \$4.80

HH3-0192N



Plate, C/P Cable Geared 4 3/16" x 1" , 3/16" H.R.S.
Where Used: A
List Price: \$18.60

HH17-0037N



Plate & Clamp, C/P Mounting-3 3/4 MO Keeper Kit, With Lower & Upper Gearing Cable Clamp. Use With 3 3/4" CL Of Sheaves
Where Used: A
List Price: \$37.00

HH17-0036N



Plate & Clamp, C/P Mounting-4 1/8 MO Keeper Kit, With Lower & Upper Gearing Cable Clamp. Use With 4 1/8" CL Of Sheaves
Where Used: A
List Price: \$37.00

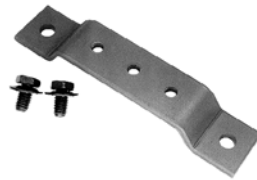
Spacers

HH1-0032N



Spacer, 1/8" Track
Where Used: A, AX, C, HA, NYCHA
List Price: \$1.60

HH1-0033N



Spacer, 3/4" Track-Type A With Bolts
Where Used: A
List Price: \$31.00

HH1-0034N



Spacer, 1 3/8" Track
Where Used: A
List Price: \$20.20

HH1-0113N



Spacer, 4 1/8" CL.3/8-16 Bolt Sheave 1/8"
Where Used: A
List Price: \$1.60

HH1-0151N



Spacer, Sheave 3/8" Thick, 1 1/4" x 3/8" x 5 9/16" (2) .531 Diameter Punch
Where Used: A
List Price: \$3.20

HH1-0157N



Spacer, Spring Loaded Sheave 1 1/4" x 5/16 x 5 9/16" .406 Diameter Punch
Where Used: A
List Price: \$3.20

HH1-0159N



Spacer, Sheave 3/8" Thick, 1 1/4" x 3/8" x 5 9/16" (2) .406 Diameter Punch
Where Used: A
List Price: \$3.20

HH1-0160N*



Spacer Set, Adjust 2"- 2 5/8" Mounting Track, Includes Mounting Hardware
Where Used: A
List Price: \$37.00

DOOR EQUIPMENT

Hanger Parts

Car & Hatch
Hanger Hardware

Spacers

HH1-0161N



Spacer Set, Adjust 1 1/2" - 2"
Mounting Track, Includes Mounting
Hardware
Where Used: A
List Price: \$37.00

HH4-0143N*



Spacer, Unistrut Channel Sheave
Special
Where Used: A
List Price: \$6.20

Spacers (Type "OS")

HH11-0062N



Spacer, 3 1/4" x 7/8" x 1/4" 2/SP "OS" Track, For
1 3/4" Or 2" CL Of Doors
Where Used: 2 1/4 "OS" Hanger
List Price: \$3.20

HH11-0063N



Spacer, 4 5/8" x 1 1/2" x 1/4" 2/SP "OS" Track,
For 2" CL Of Doors With Ears Cut Off
Where Used: 2 1/4 "OS" Hanger
List Price: \$4.80

HH10-0048N



Spacer, Type "OS" 3 1/4 Track, 3" x 1" x 1/4"
Where Used: 2 1/4 "OS" Hanger
List Price: \$1.60

Springs

SPG-0064N



Spring, 1" Lg. x 13/32" OD-0.062 Wire, .062
Wire- 8 Turns High Carbon Steel
Where Used: A, HA, NYCHA
List Price: \$2.00

DOOR EQUIPMENT

Hanger Parts

Unistrut

Car & Hatch
Hanger Hardware

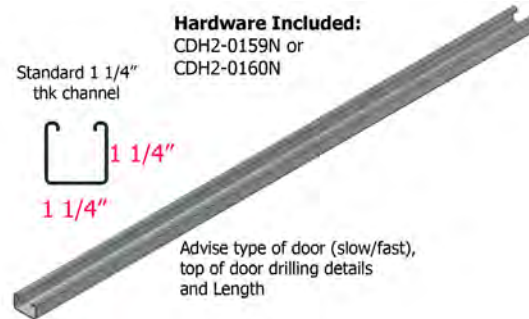
Adaptor Channel

CDH1-0161N*



Channel, Type Unistrut Adaptor 1" Thick, Use For 1" Thick Door Panel: 2/SP-2SP/CP
Where Used: Car & Hatch Hanger
List Price: \$77.00

CDH1-0146N*



Channel, Type Unistrut Adaptor
Where Used: Car & Hatch Hanger
List Price: \$77.00

Adaptor Channel Hardware

CDH2-0159N



Hardware, 1/2-13 Unistrut Adaptor Channel
Where Used: A, 2 1/4 "OS" Hanger
List Price: \$27.80

CDH2-0160N



Hardware, 3/8-16 Unistrut Adaptor Channel
Where Used: A, 2 1/4 "OS" Hanger
List Price: \$27.80

HH1-0155N



Spacer, Unistrut Channel Sheave , Use With Less Than 1-1/4" Thick Door Panels
Where Used: A, HA
List Price: \$1.60

HWNT-0048N



Nut, 3/8-16 x SQ Sliding Plated-Unistrut
Where Used: A
List Price: \$4.80

HWSC-0239N



Screw, 3/8-16 x 1" Flat Socket Head Cap, Head Treated Alloy Steel 3/8"-16 Uncap Thread 7/32" Key
Where Used: A
List Price: \$0.80

DOOR EQUIPMENT

Hanger Parts

Car & Hatch Hanger Hardware

Hardware

Track Hardware - Screws, Nut, & Washers

Note: All mounting screw hardware for car & hatch hangers tracks & sheaves are yellow zinc dichromate

HWSC-0001N



Screw, 5/16-18 X 7/8" Hex Sems
Where Used: All Tracks
List Price: \$1.00

HWSC-0002N



Screw, 5/16-18 X 5/8" Hex Sems
Where Used: All Tracks
List Price: \$1.00

HWSC-0072N



Screw, 1/4-20 x 3/8" Hex Lower Head Steel, Tap Steel Bolt Special
Where Used: A
List Price: \$0.60

HWSC-0237N



Screw, 3/8-16 x 1 3/4" Hex Head Steel Cap
Where Used: A
List Price: \$1.00

HWSC-0186N



Screw, 3/8-16 x 3/4" Hex Head Steel Plated, Tap Steel Plated Bolt
Where Used: A
List Price: \$1.40

HWSC-0022N



Screw, 5/16-18 x 5/8" Hex Lower Head Tap Stainless Steel
Where Used: A
List Price: \$3.20

HWNT-0030N



Nut, 3/8-24 x 9/16" With Acr, Hex Steel Finished Nuts
Where Used: A
List Price: \$0.60

HWWS-0047N



Washer, 1/4" I.D. External Star-Lock .030 Thick, 1/2" O.D. x .030 Thick Steel
Where Used: A
List Price: \$0.60

HWWS-0049N



Washer, 3/8" I.D. External Star-Lock, 11/16" O.D. x .040 Thick Steel
Where Used: A
List Price: \$0.40

HWWS-0076N



Washer, 1/2" I.D. Fl Dichromated 3/32" Thick, 7/8" O.D. x 3/32" Thick
Where Used: A
List Price: \$1.20

HWWS-0043N



Washer, 3/8" I.D. x 7/8" O.D. Flat Steel, x 0.090 Thick
Where Used: A
List Price: \$0.40

HWWS-0065N



Washer, 5/16" I.D. Belleville 3/4" OD- Sems Special
Where Used: All Tracks
List Price: \$0.60

DOOR EQUIPMENT

Hanger Parts

Hardware

Car & Hatch
Hanger Hardware

Track Hardware - Screws, Nut, & Washers

HH11-0058N



x 6

Hardware, Type "OS" Track Assembly, Used On Tracks With End Bracket
Where Used: 2 1/4" "OS" Hanger
List Price: \$4.80

HH17-0025N



x 4

Hardware, SS/CP OTIS Mounting Track
Where Used: A
List Price: \$24.20

HH19-0041N



x 2 x 10

Hardware, S/S-C/P Water Resistant Track
Where Used: AW
List Price: \$18.60

HH1-0021N



Eccentric & Screw, Track
Where Used: A
List Price: \$1.60

Sheave Shims (Horseshoe Washers)

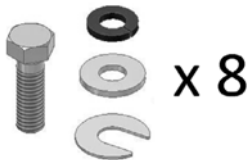


Part No.	Description	Where Used	List Price
HH1-0030N	Shim, 1/32", Sheave 1/2" Bolts	A, HA, NYCHA	\$0.40
HH1-0027N	Shim, 1/32", Sheave 3/8" Bolts	A, HA, NYCHA	\$0.40
HH1-0031N	Shim, 1/8", Sheave 3/8" Bolts	A, HA, NYCHA	\$0.60

Sheave Hardware - Pendent Bolts

Note: All mounting screw hardware for car & hatch hangers tracks & sheaves are yellow zinc dichromate

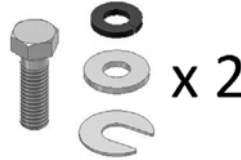
HH1-0174N



x 8

Hardware, "A" Hanger Sheave 3/8" Bolts
Where Used: A
List Price: \$24.80

HH1-0023N



x 2

Hardware, "A" Sheave 3/8" Bolts
Where Used: A, HA, NYCHA
List Price: \$6.20

HH1-0029N



x 2

Hardware, "A" Sheave 1/2" Bolts
Where Used: A, HA, NYCHA
List Price: \$3.20

HH10-0042N



Hardware, Type "OS" Sheave With Top Safety Retainers, With (2) 3/8-16 x 1 1/2" Bolts. (6) 3/8" Flat Washers. (2) 3/8" Lock Washers
Where Used: 2 1/4 "OS" Hanger
List Price: \$9.40

HH10-0043N



Hardware, Type "OS" Sheave With Top Safety Retainers, With (2) 3/8-16 x 2" Bolts. (6) 3/8" Flat Washers. (2) 3/8" Lock Washers
Where Used: 2 1/4 "OS" Hanger
List Price: \$9.40

HH17-0028N



Hardware, SS/CP OTIS Mounting Sheave
Where Used: A
List Price: \$6.80

DOOR EQUIPMENT

Hanger Parts

Car & Hatch Hanger Hardware

Hardware

Car Hanger Hardware

Note: All mounting screw hardware for car & hatch hangers tracks & sheaves are yellow zinc dichromate

CDH1-0021N	CDH1-0022N	CDH2-0094N	CDH2-0096N
 <p>x 4 x 8 x 4</p>	 <p>x 4 x 8 x 4</p>	 <p>x 8 x 13 x 7</p>	 <p>x 8 x 13 x 7</p>
<p>Hardware, S/S Car Hanger 3/8" Bolts Where Used: A, HA, NYCHA List Price: \$12.40</p>	<p>Hardware, S/S Car Hanger 1/2" Bolts Where Used: A List Price: \$12.40</p>	<p>Hardware, 2/SP 30"-48" D.O. Car With 3/8 Bolts, Use For Tracks Up To 72" Lg. Where Used: A, HA, NYCHA List Price: \$15.40</p>	<p>Hardware, 2/SP 30"-48" D.O. Car With 1/2 Bolts, Use For Tracks Up To 72" Lg. Where Used: A List Price: \$15.40</p>
CDH2-0095N	CDH2-0097N	CDH9-0121N	CDH9-0122N
 <p>x 8 x 19 x 7</p>	 <p>x 8 x 19 x 7</p>	 <p>x 12 x12</p>	 <p>x 12 x12</p>
<p>Hardware, 2/SP 49"-72" D.O. Car With 3/8 Bolts, Use For Tracks Up To 106" Lg. Where Used: A, HA, NYCHA List Price: \$15.40</p>	<p>Hardware, 2/SP 49"-72" D.O. Car With 1/2 Bolts, Use For Tracks Up To 106" Lg. Where Used: A List Price: \$15.40</p>	<p>Hardware, 3/SP Car 3/8" Bolts Where Used: A List Price: \$24.80</p>	<p>Hardware, 3/SP Car 1/2" Bolts Where Used: A List Price: \$24.80</p>
CDH3-0025N	CDH3-0026N	CDH4-0059N	CDH4-0060N
 <p>x 8 x 8 x 8</p>	 <p>x 8 x 8 x 8</p>	 <p>x 16 x13 x14</p>	 <p>x 16 x13 x14</p>
<p>Hardware, C/P Car Hanger 3/8" Bolts Where Used: A List Price: \$24.80</p>	<p>Hardware, C/P Car Hanger 1/2" Bolts Where Used: A List Price: \$24.80</p>	<p>Hardware, 2SP/CP 33"-49" D.O. Car 3/8" Bolts Where Used: A List Price: \$24.80</p>	<p>Hardware, 2SP/CP 33"-49" D.O. Car 1/2" Bolts Where Used: A List Price: \$24.80</p>

DOOR EQUIPMENT

Hanger Parts

Hardware

Car & Hatch
Hanger Hardware

Car Hanger Hardware

CDH4-0061N



Hardware, 2SP/CP 50"-72" D.O. Car
3/8" Bolts
Where Used: A
List Price: \$24.80

CDH4-0062N



Hardware, 2SP/CP 50"-72" D.O. Car
1/2" Bolts
Where Used: A
List Price: \$24.80

Hatch Hanger Hardware

Note: All mounting screw hardware for car & hatch hangers tracks & sheaves are yellow zinc dichromate

HH1-0020N



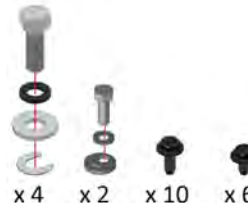
Hardware Bag, SS-CP Track
Where Used: A, HA, NYCHA
List Price: \$9.40

HH2-0049N



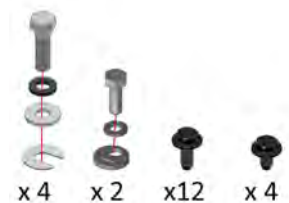
Hardware, 2/SP 30"-48" D.O. Hatch
With 3/8 Bolts, Up To 72" Lg. Track
Where Used: A
List Price: \$15.40

HH2-0154N



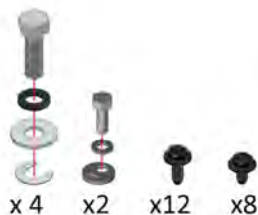
Hardware, 2/SP 30"-48" D.O. Hatch
With 1/2 Bolts, Up To 72" Lg. Track
Where Used: A
List Price: \$15.40

HH2-0050N



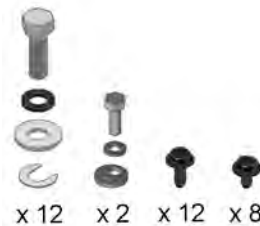
Hardware, 2/SP 49"-72" D.O. Hatch
With 3/8 Bolts, Up To 106" Lg.
Track
Where Used: A
List Price: \$15.40

HH2-0155N



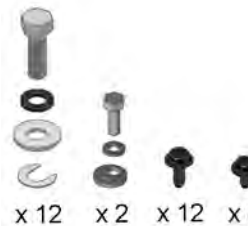
Hardware, 2/SP 49"-72" D.O. Hatch
With 1/2 Bolts, Up To 106" Lg.
Track
Where Used: A
List Price: \$15.40

HH9-0165N



Hardware, 3/SP 30"-69" D.O. Hatch
3/8" Bolts
Where Used: A
List Price: \$24.80

HH9-0164N



Hardware, 3/SP 30"-69" D.O. Hatch
1/2" Bolts
Where Used: A
List Price: \$24.80

HH3-0090N



Hardware, C/P Hatch 3/8-16 Bolts
Where Used: A
List Price: \$23.20

DOOR EQUIPMENT

Hanger Parts

Car & Hatch Hanger Hardware

Hardware

Hatch Hanger Hardware

HH3-0089N



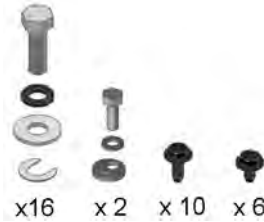
Hardware, C/P Hatch 1/2-13 Bolts
Where Used: A
List Price: \$23.20

HH4-0058N



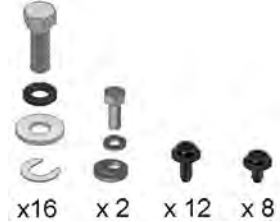
Hardware, 2SP/CP 33"-57" Hatch
3/8" Bolts
Where Used: A
List Price: \$24.80

HH4-0059N



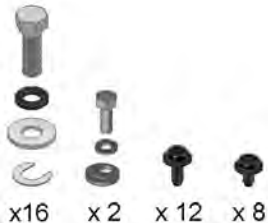
Hardware, 2SP/CP 33"-57" Hatch
1/2" Bolts
Where Used: A
List Price: \$24.80

HH4-0060N



Hardware, 2SP/CP 58"-73" Hatch
3/8" Bolts
Where Used: A
List Price: \$24.80

HH4-0061N



Hardware, 2SP/CP 58"-73" Hatch
1/2" Bolts
Where Used: A
List Price: \$24.80

HH20-0087N



Hardware, 2/SP 30"-48" D.O. Hatch
Water Resistant, With 3/8" Lg.
Bolts/Up To 72" Lg. Track Yellow
Zinc Dichromate
Where Used: AW
List Price: \$31.00

Hatch Hanger Hardware (2 1/4" Old Style)

Note: All mounting screw hardware for car & hatch hangers tracks & sheaves are yellow zinc dichromate

HH10-0038N



Hardware, S/S 24"-25" D.O. Type "OS" Track,
With (5) 3" x 1" x 1/4" Spacers & (7) 1/4-20 x 1"
Hex Head Screw
Where Used: 2 1/4" "OS" Hanger
List Price: \$11.60

HH10-0039N



Hardware, S/S 26"-35" D.O., C/P 30"-35" D.O.,
Type "OS" Track, With (7) 3" x 1" x 1/4" Spacers
& (9) 1/4-20 x 1" Hex Head Screw
Where Used: 2 1/4" "OS" Hanger
List Price: \$16.20

HH10-0040N



Hardware, S/S 36"-42" D.O., C/P 36"-45" D.O.,
Type "OS" Track, With (9) 3" x 1" x 1/4" Spacers
& (11) 1/4-20 x 1" Hex Head Screw
Where Used: 2 1/4" "OS" Hanger
List Price: \$20.80

DOOR EQUIPMENT

Hanger Parts

Hardware

Car & Hatch
Hanger Hardware

Hatch Hanger Hardware (2 1/4" Old Style)

HH12-0095N



x 11 x 13

Hardware, C/P 46"-54" D.O. Type "OS" Track
Where Used: 2 1/4" "OS" Hanger
List Price: \$39.00

HH12-0096N



x 13 x 15

Hardware, C/P 55"-59" D.O. Type "OS" Track
Where Used: 2 1/4" "OS" Hanger
List Price: \$45.00

HH11-0059N



x 9

Hardware, Type "OS" 2/SP Track Assembly, Used
On Tracks With Ears Cut Off Bracket
Where Used: 2 1/4" "OS" Hanger
List Price: \$7.00

GAL

Door Protection

INFRARED CURTAIN
246-247

SAFETY EDGES
247-251

PRODUCT TYPE

InfraRed Curtain

- **FORMULA SYSTEM**
 - FCU-47 Safe Screen
 - FCU-3D
 - Vision 3, 3D
- **TRI-TRONICS**
 - Conventional (Magic Edge 3)
 - Water Resistant

Safety Edge

- **RALX** (Dust/Explosion Resistant)
- **RALW** (Water Resistant)

DOOR EQUIPMENT

FORMULA SYSTEMS

FCU⁴⁷ SAFESCREEN

WHEN SAFETY IS THE MAIN CONSIDERATION

Formula Systems provide the answers, with a comprehensive range of safety edges suitable for any door arrangement.

Safescreen aperture monitoring is available for standard or customized heights and widths, and is ideal for both new and existing elevator installations.

FIELD FRIENDLY INSTALLATION

- No electrical or mechanical site adjustment necessary
- Does not require critical alignment
- Uses standard 3 core trailing cable
- Designed for rapid installation

OPTIONS

- Two independent optical systems combined in one product
- Separate relay outputs
- Automatic time out if one system is damaged
- Fail-safe operation if both systems are damaged
- System fault monitor, with door delay and audible warning indicator
- Conforms with safety codes that insist on two different protection systems

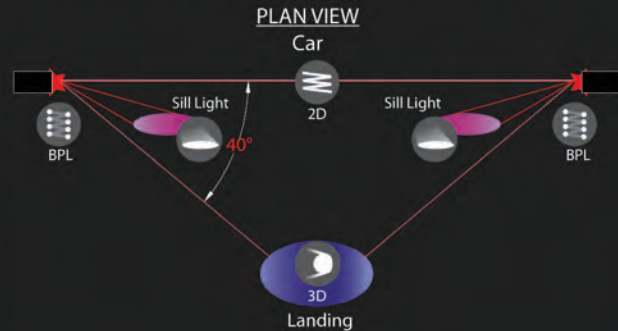
FEATURES AND BENEFITS

- 47 staggered beams provide increased protection as the door closes
- Tolerant of strong sunlight, dust and moisture
- Rapid system scan rate
- Fail-safe electronics ensure the doors park in an open position



VISION 3 "3D" EDGE KIT

An advanced 3D version of the standard 2D beam technology of Formula System FCU 47 is available from GAL. It is a Forward-Facing proximity sensor system, optimized for both simplicity and effectiveness. It provides high performance detection capability suitable for all traffic applications, plus integral with GAL MOVFR-2 operator or universal power supply.



TRI-TRONIC LEADING EDGE

Unique Feature and Benefits:

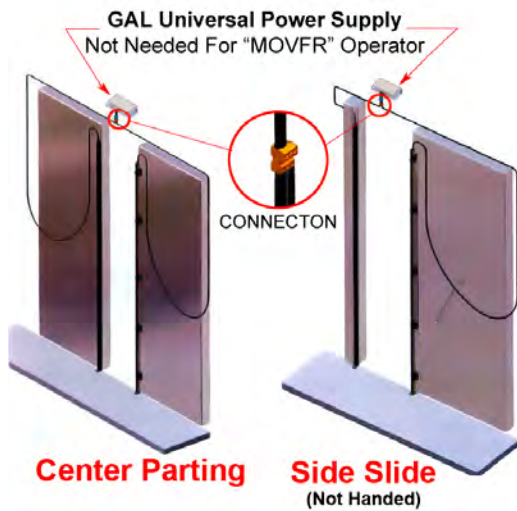
- Totally immune to any ambient light, including strobes, fluorescent and direct sunlight!
- All edges are "Weatherproof". Optional "Waterproof" model is available, used for wash-down environments, outdoor elevators, parking garages, or any extreme or wet conditions. Ratings: NEMA 4, IP67
- All models can be installed in either center parting or side sliding configuration.
- Unique installation and test procedures can be easily performed by one person
- 64 redundant IR LED's
- Completely integral with GAL MOVFR-2 operator or universal power supply.

DOOR EQUIPMENT

Door Protection

InfraRed Curtain (Formula Systems)

Conventional



Notes: Customer can cut edges down to 79" high.

Part No.	Description	List Price
DPFS-0002N	Edge Kit, Formula Systems FCU 47, For "MOVFR" Operator With Integrated Power Supply	\$441.00
DPFS-0003N	Edge Kit, Formula Systems FCU 47, With Operator Mounted Universal Power Supply	\$500.00
DPFS-0011N	Edge Kit, 34-Package Formula Systems FCU 47, Includes GAL Universal Power Supply	\$15,640.00
DPFS-0014N	Edge Kit, 38-Package Formula Systems FCU 47 Without Power Supply	\$15,200.00
DPFS-0015N	Edge Kit, Formula System Vision 3, "3D" For "MOVFR" Integrated Power Supply	\$1,320.00
DPFS-0016N	Edge Kit Cable Assembly, Vision 3, 3D	\$49.50
DPFS-0017N	Edge Kit, Formula Systems Vision 3, "3D" With Universal Operator Mounted Power Supply	\$1,380.00
DPPC-0002N	Power Supply, Light Curtain Universal, 220 V/120VAC or DC to 24VDC	\$160.00

InfraRed Curtain (Tri-Tronics)

Notes: Fixed height; unit cannot be cut.

Conventional

Part No.	Description	List Price
DPTT-0004N	Edge Kit, TRI-TRONICS Infra-Red Curtain, For "MOVFR" Operator With Integrated Power Supply	\$721.00
DPTT-0005N	Edge Kit, TRI-TRONICS Infra-Red Curtain, With Operator Mounted Universal Power Supply	\$782.00

Water Resistant

Part No.	Description	List Price
DPTT-0007N	Edge Kit, TRI-TRONICS Water Resistant, For "MOVFRW II" Operator Integrated Power Supply, 80" FIXED Height (UNIT CANNOT BE CUT)	\$1,988.00

Note: All ferrous material are yellow zinc dichromate plated

InfraRed Curtain Parts

Cables (Tri-Tronics / Formula Systems)

DPTT-0008N



Cables, Tri-Tronics Replacement Set, Set Of LA-02 Cable [1] & RA-02 Cable [1]
List Price: \$96.00

DPTT-0009N



Connector, Tri-Tronics "Y" Cable Interface, To MOVFR (Model #19532)
List Price: \$42.00

DPFS-0016N



Cable Assembly, Formula Systems Vision 3, 3D Edge Kit, FS #FEXT0032
List Price: \$49.50

DOOR EQUIPMENT

Door Protection

InfraRed Curtain Parts

Chip

DPPC-0001N



Description
 Chip, Door Protection Enabling
 Where Used: Door Protection, MOVFR II Door Operator
 List Price: \$189.00

DPPC-0003N



Description
 Chip, 25-Package Door Protection Enabling
 Where Used: Door Protection, MOVFR II Door Operator
 List Price: \$3745.00

Door Protection

Universal Power Supplies

DPPC-0002N



Description
 Power Supply, Light Curtain Universal, 220 V/120VAC or DC to 24VDC
 Where Used: TRI-TRONICS, Formula System FCU47 & FZU47 Vision 3D
 List Price: \$160.00

LCSE-0001N



Description
 Board Assembly, Light Curtain P.C., For Universal Power Supply (DPPC-0002N), 220 V/120VAC or DC to 24VDC
 Where Used: Universal Power Supply (DPPC-0002N)
 List Price: \$124.0

Safety Edge Assemblies

RALX - Dust/Explosion Resistant



Part No.	S/S	2/SP	C/P	"A" Dim	Height	List Price
SE7-0001L/R*	24"-29"		30"-39"	46 1/2"	84"	\$871.00
SE7-0002L/R*	30"-39"	30"-39"	40"-49"	42 1/2"	84"	\$871.00
SE7-0003L/R*	40"-44"	24"-29"	50"-59"	38 1/2"	84"	\$871.00
SE7-0004L/R*	45"-48"	45"-52"		34 1/2"	84"	\$871.00
SE7-0005L/R*		53"-60"		30 1/2"	84"	\$871.00
SE7-0006L/R*		61"-68"		26 1/2"	84"	\$871.00
SE7-0007L/R*		69"-72"		22 1/2"	84"	\$871.00

DOOR EQUIPMENT

Door Protection

Safety Edge Parts

Door Protection

RALX

SE7-0008N



Switch Assembly, "RALX" Safety Edge EX-Q, With Wire & Connector
List Price: \$567.00

SE7-0009N



Cable, Type "RALX" Safety Edge 3 Wire, With Sealing Connector
List Price: \$121.00

SE7-0010L/R



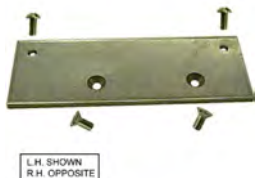
Pivot Assembly, Type "RALX" Retracting
List Price: \$74.00

SE7-0011L/R



Angle, Type "RALX" Pivot Bumper
List Price: \$23.20

SE7-0012L/R



Plate, Type "RALX" Switch Mounting
List Price: \$18.60

SE7-0013N



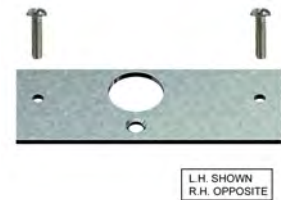
Pin Assembly, Pivot Arm
List Price: \$9.40

SE7-0014N



Screw Assembly, Type "RALX" Pick-Up
List Price: \$9.40

SE7-0015L/R



Plate, Type "RALX" Pick-Up
List Price: \$18.60

RAL

HDW-0001N



Bumper, 7/16 DIA Nylon
List Price: \$2.00

SE2-0001L/R



Switch Assembly, RAL Safety Edge
List Price: \$93.00

SE2-0002L/R



Switch Assembly, RAL Safety Edge With Electric Eye
List Price: \$108.00

SE2-0003N



Cover, RAL Safety Edge Switch
List Price: \$12.40






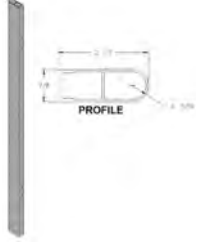





DOOR EQUIPMENT

Door Protection

Safety Edge Parts

Door Protection

RAL

<p>SE2-0004N</p>	<p>SE2-0005N</p>	<p>SE2-0006N</p>	<p>SE2-0007N</p>
			
<p>Stop, RAL Safety Edge Rubber List Price: \$3.20</p>	<p>Roller, RAL Safety Edge Retracting List Price: \$7.40</p>	<p>Microswitch, RAL Safety Edge List Price: \$18.60</p>	<p>Washers, RAL Switch Friction List Price: \$4.80</p>
<p>SE2-0008N</p>	<p>SE2-0009N</p>	<p>SE2-0010N</p>	<p>SE5-0015N</p>
			
<p>Rod, RAL Safety Edge Retracting List Price: \$12.40</p>	<p>Cable, RAL Safety Edge 3 Wire List Price: \$31.00</p>	<p>Cable, RAL Safety Edge 5 Wire List Price: \$41.00</p>	<p>Nose, Safety Edge 84" HT Brown List Price: \$84.00</p>
<p>SE5-0016N</p>	<p>SE5-0017L/R</p>	<p>SE5-0018N</p>	<p>SE5-0019N</p>
	 <p style="font-size: small;">L.H. SHOWN R.H. OPPOSITE</p>		
<p>Angle, Safety Edge Nose Retracting List Price: \$15.40</p>	<p>Base & Arms, Safety Edge List Price: \$99.00</p>	<p>Arm & Spring Assembly, Upper List Price: \$37.00</p>	<p>Spring, Safety Edge Upper Arm List Price: \$4.00</p>
<p>SE5-0020N</p>	<p>SE5-0021N</p>	<p>SE5-0023N</p>	<p>SE5-0024N</p>
			
<p>Arm & Spring Assembly, Lower List Price: \$37.00</p>	<p>Spring, Safety Edge Lower Arm List Price: \$4.00</p>	<p>Cam, Safety Edge Close, For Clutch With 5" & 6" Link List Price: \$10.80</p>	<p>Bumper, Safety Edge Pivot Arm, 7/8" Lg. List Price: \$1.00</p>

DOOR EQUIPMENT

Door Protection

Safety Edge Parts

Door Protection

RAL

SE5-0025N



Block, Safety Edge Spring Tension
List Price: \$3.20

SE5-0026N



Bracket, Safety Edge Pivot Support
List Price: \$12.40

SE5-0027L/R



Retracting/Friction Assembly
List Price: \$104.00

SE5-0028L/R



Cam, Safety Edge Open
List Price: \$10.80

SE5-0029N



Friction Assembly, Open Hold
List Price: \$62.00

SE5-0030N



Bolt Assembly, Retractable Rod
List Price: \$2.40

SE5-0031N



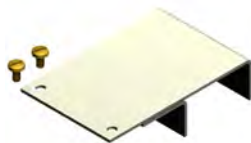
Hardware, Safety Edge Mounting
List Price: \$2.80

SE5-0032N



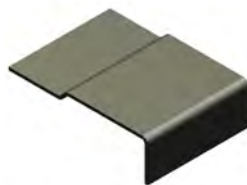
Washers, Safety Edge Friction, For New Connecting Link
List Price: \$6.20

SE5-0044N



Angle, Safety Edge Fig #1 Nose Retractable
List Price: \$15.40

SE5-0095N



Angle, Safety Edge Nose Retracting Upper
List Price: \$15.40

SE5-0096N



Angle, Safety Edge Nose Retracting Lower
List Price: \$15.40

DOOR EQUIPMENT

Door Protection

Safety Edge Parts

Door Protection

RALW (Water Resistant)

SE13-0025L/R



L.H. SHOWN
R.H. OPPOSITE

Retracting/Friction Assembly, Yellow Zinc Dichromate
List Price: \$170.00

SE15-0001L/R



L.H. SHOWN
R.H. OPPOSITE

Switch Assembly, Type "RALW" Safety Edge
List Price: \$185.00

SE15-0004N



Cover, Type "RALW" Safety Edge Switch
List Price: \$24.80

SE15-0005N



Roller, "RALW" Safety Edge Retracting
List Price: \$7.80

SE15-0006N



Microswitch, Type "RALW" Safety Edge
List Price: \$37.00

SE8-0071N



Rod, Type "RALW" Plated Retractable
List Price: \$21.60

RASS-RDL & HA

SE3-0021N



Description
Cable, Type "RASS-RDL" Retracting
List Price: \$9.40

SE4-0028N



Description
Microswitch, Type "HA" Safety Edge,
Reference # MICS-0003N
List Price: \$31.00

HT & HTE

SE12-0019N



Cable, Type "HTE" Safety Edge 6 Wire
List Price: \$41.00

SE12-0020N



Switch, Type "HTE" Safety Edge On-Off
List Price: \$15.40

SE12-0021N



Cable, Type "HT" Safety Edge 3 Wire
List Price: \$31.00

SE12-0016N



Microswitch, Type "HT" Safety Edge
List Price: \$31.00

GAL Clutches

CLUTCH ASSEMBLIES 252-275

LWZ-1 CAR ZONE LOCK 276-277

CLUTCH PARTS (LWZ-1 SERIES)

LWZ-2 CAR ZONE LOCK 282

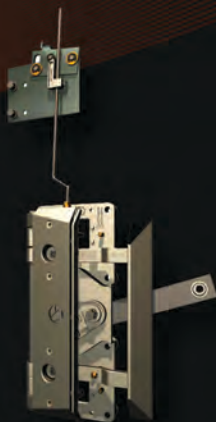
CLUTCH PARTS (LWZ-2, LW-2, L-2 SERIES) 282-283

CLUTCH PARTS (CWZ-2, C-2, CW-2 SERIES) 284-285

CLUTCH VANES 286-288

CLUTCH SPRINGS 288

HARDWARE 289



LWZ-2

"S" clutch is a fixed vane clutch used on old shoe type operators with 'MO' single roller release assemblies on hall doors.

"L-2" clutch works with "MOM" vertical roller release assemblies on hall doors. The clutch attaches to the lower part of drive arm on "L" type operators.

"C-2", "CW-2" and "CWZ-2" clutches are cable activated by a cam and roller arm mounted on or above car door hangers. They are used for non-GAL operators, old shoe type operators and other special applications chosen by GAL engineering dept.

"C-2" type clutch works with "MOM" vertical roller release assemblies on hall doors

"CW-2" and "CWZ-2" clutches work with "MOH" horizontal roller release assemblies on hall doors.

"CWZ-2" clutch is arranged for zone locking assemblies (restrictor device).

"LW-2" clutch works with "MOH" horizontal roller release assemblies on hall doors. The clutch attaches to the lower part of drive arm on "L" type operators.

"LWZ-2" clutch is same as "LW-2" clutch except they are arranged for zone locking assemblies (restrictor device)

"HA" vandal resistant clutch is arranged with a 3rd fixed vane built into clutch to prevent disengagement of hall doors.

"W" clutch is made water resistant by plating all ferrous material with yellow zinc dichromate.

"LOW" clutch is cut down to fit in a running clearance and sill space range from (2 11/16" to 3 3/16") with a (1" to 1 1/2") running clearance.

"LRC STD" limited running clearance clutch is cut down to fit in a running clearance and sill space range from (2 7/8" to 3 7/6") with a (11/16" to 15/16") running clearance.

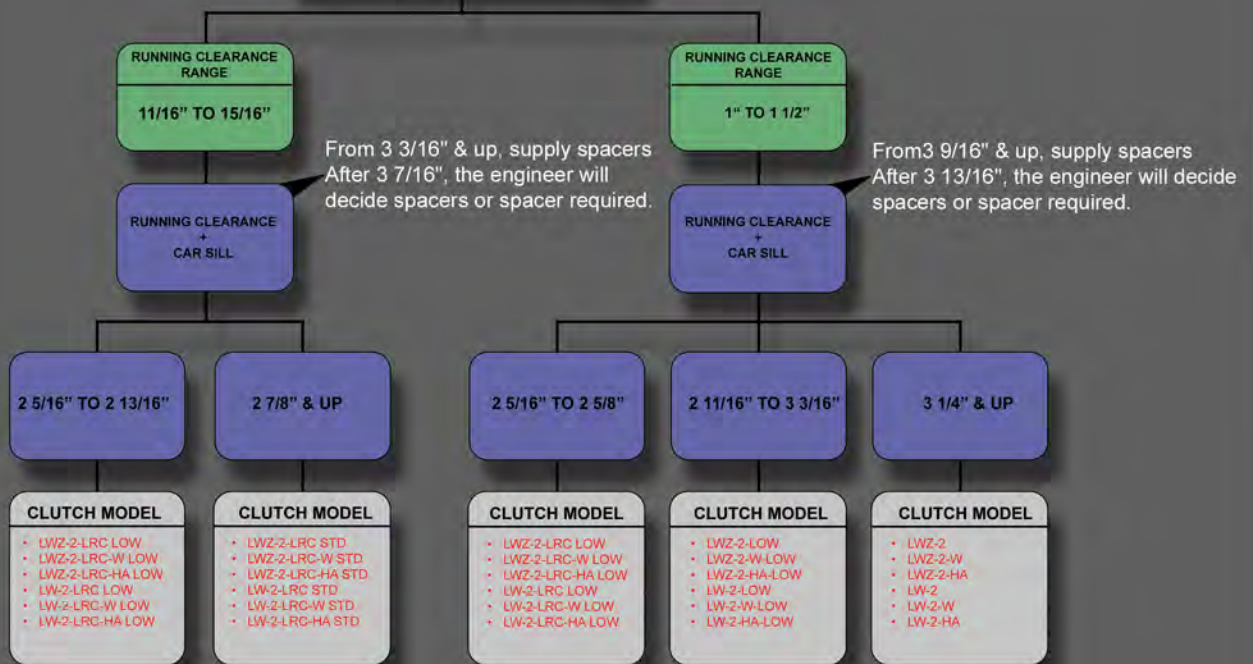
"LRC-LOW" limited running clearance clutch is cut down to fit in a running clearance and sill space range from (2 5/16" to 2 13/16") with a (1 5/16" to 11/16") running clearance.

CLUTCH MODELS

- L-2
- L-2-LOW
- LW-2
- LW-2-HA
- LW-2-HA-LOW
- LW-2-HA-LRC LOW
- LW-2-HA-LRC STD
- LW-2-LOW
- LW-2-LOW-W
- LW-2-LRC LOW
- LW-2-LRC STD
- LW-2-LRC-W LOW
- LW-2-LRC-W STD
- LW-2-W
- LWZ-2
- LWZ-2-HA
- LWZ-2-HA-LOW
- LWZ-2-HA-LRC LOW
- LWZ-2-HA-LRC STD
- LWZ-2-LOW
- LWZ-2-LOW-W
- LWZ-2-LRC LOW
- LWZ-2-LRC STD
- LWZ-2-LRC-W LOW
- LWZ-2-LRC-W STD
- C-2
- C-2-LOW
- C-2-LOW
- CWZ-2
- CWZ-2-LOW
- CW-2
- CW-2-LOW
- S

DOOR EQUIPMENT

HOW TO CHOOSE THE CORRECT LINKAGE CLUTCH ARRANGEMENT

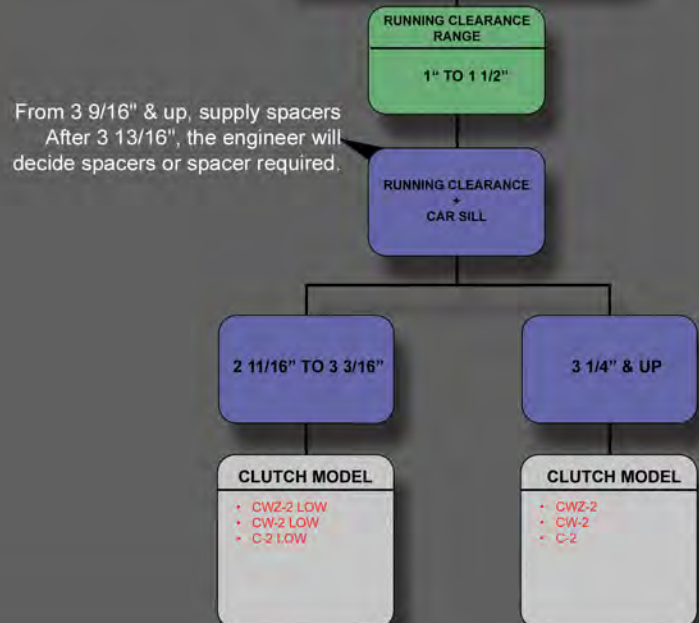


Spacers Required for "Clutch Running Clearance + Car Sill"

3 9/16" Requires (3) Spacers
3 11/16" Requires (6) Spacers
3 13/16" Requires (9) Spacers

Spacer Part No. [CLU1-0053N](#)

HOW TO CHOOSE THE CORRECT CABLE CLUTCH ARRANGEMENT



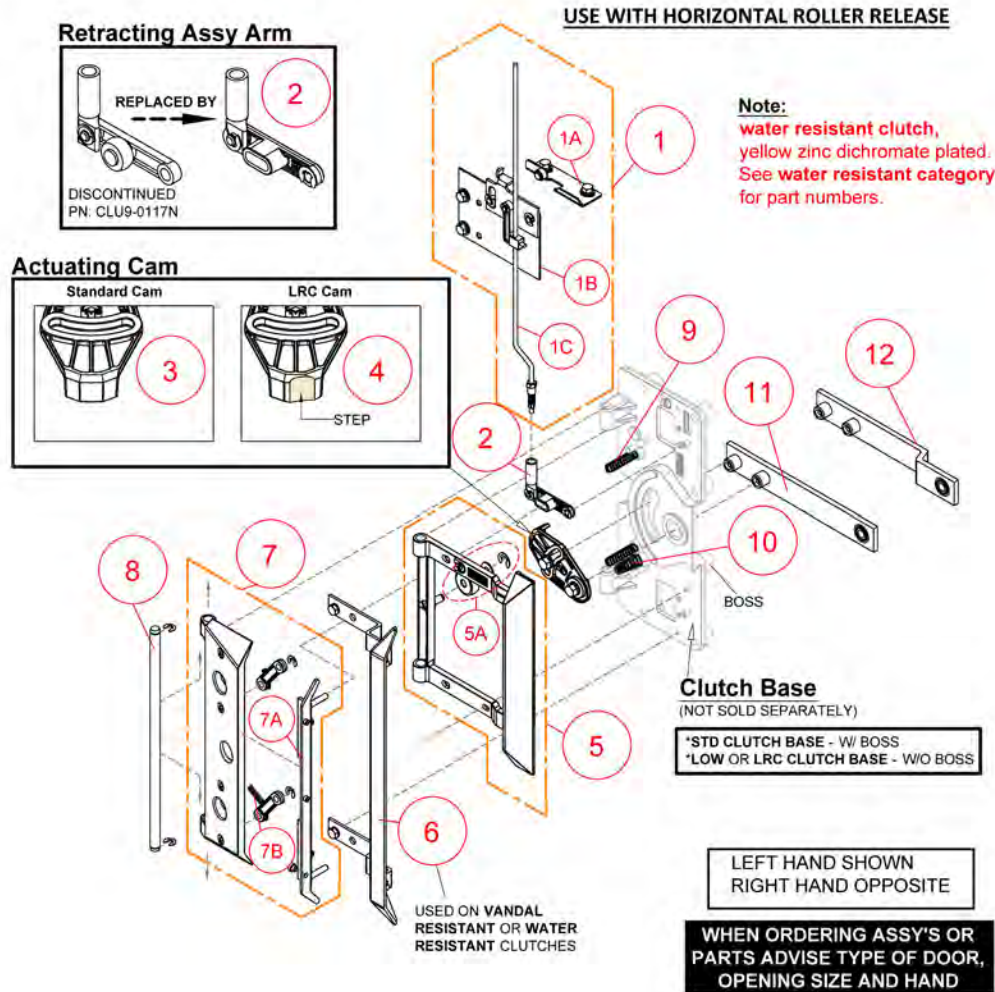
DOOR EQUIPMENT

Clutch Isometric Drawing

LWZ-2 Series w/ Car Zone Locking Assembly

Drive Arm Actuated Clutch

Clutch Assemblies



Part No.	Item No	Description
CLU9-0115L/R	1	Zone Locking Assembly, LWZ-2 Clutch 36" Rod (Page# 282)
CLU9-0049L/R	1A	Cam, LWZ-2 Standard Locking, Includes Hardware (Page# 282)
CLU9-0101L/R	1B	Guide, LWZ-2 Clutch Locking (Page# 282)
*CLU9-XXXXX	1C	Rod, 24"/36" LWZ-2 Clutch Zone Locking- (See page 283)
CLU9-0256N	2	Arm, LWZ-2 Retracting Assembly (Page# 283)
CLU9-0111N	3	Cam, Clutch Actuating, LWZ-2 & LWZ-2-Low, Standard (Page# 282)
CLU9-0238L/R	4	Cam, LW-2-LRC/LWZ-2-LRC Clutch Actuating
CLU9-0116N	5	Vane, Door Close LWZ-2 (Page# 282)
CLU9-0113N	5A	Roller, 1 1/4" DIA LWZ-2/LZ-2 Clutch (Page# 284)

Part No.	Item No	Description
CLU9-0103N	6	Vane, LWZ-2-HA Clutch Fixed (Page# 288)
CLU9-0257L/R	7	Vane, LWZ-2 Door Open (Page# 287)
CLU9-0255N	7A	Sensing Bar & Pivot, LWZ-2 Zone Lock, With (2) 1 9/32" Long Pins (Page# 282)
SPG-0081N	7B	Spring, 7/8" LG x 1/4" OD. (.024 Wire-9 Turns) (Page# 288)
SHF-0065N	8	Shaft, 7/16" X 11 7/8" LG LWZ-2 Open Vane
SPG-0019N	9	Spring, 1 5/8" LG x 3/8" OD. (.037 Wire-14 Turns) (Page# 288)
SPG-0036N	10	Spring, 1 1/4" LG x 7/8" OD. (.063 Wire-7 1/2 Turns) (Page# 288)
CLU9-XXXXX	11	Link, Standard Clutch- (See page 283)
CLU9-XXXXX	12	Link, Low & LRC Clutch- (See page 283)

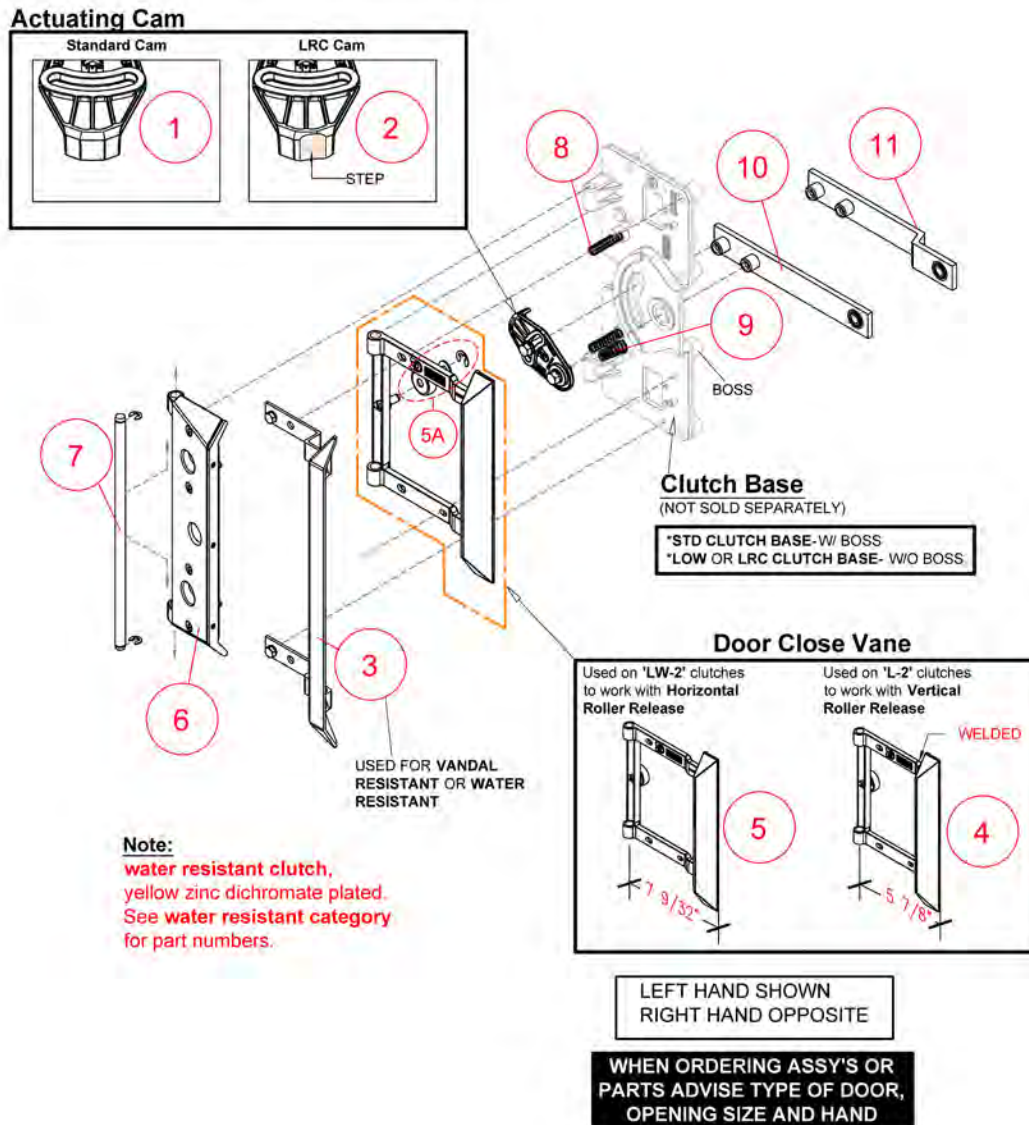
Mounting hardware included with clutch assemblies

DOOR EQUIPMENT

Clutch Isometric Drawing

LW-2 & L-2 Series

Drive Arm Actuated Clutch



Part No.	Item No	Description
CLU9-0111N	1	Cam, Clutch Actuating, Standard (Page# 282)
CLU9-0238L/R	2	Cam, LRC Clutch Actuating (Page# 282)
CLU9-0103N	3	Vane, LWZ-2-HA Clutch Fixed
CLU15-0021N	4	Vane, L-2 Clutch Door Close (Page# 288)
CLU9-0116N	5	Vane, Door Close (Page# 288)
CLU9-0113N	5A	Roller, 1 1/4" DIA LWZ-2/LZ-2 Clutch (Page# 284)

Part No.	Item No	Description
CLU9-0257L/R	6	Vane, LWZ-2 Door Open (Page# 287)
SHF-0065N	7	Shaft, 7/16" X 11 7/8" LG LWZ-2 Open Vane
SPG-0019N	8	Spring, 1 5/8" LG x 3/8" OD. (.037 Wire-14 Turns) (Page# 288)
SPG-0036N	9	Spring, 1 1/4" LG x 7/8" OD. (.063 Wire-7 1/2 Turns) (Page# 288)
CLU9-XXXXX	10	Link, Standard Clutch- (See page 283)
CLU9-XXXXX	11	Link, Low & LRC Clutch- (See page 283)

Mounting hardware included with clutch assemblies

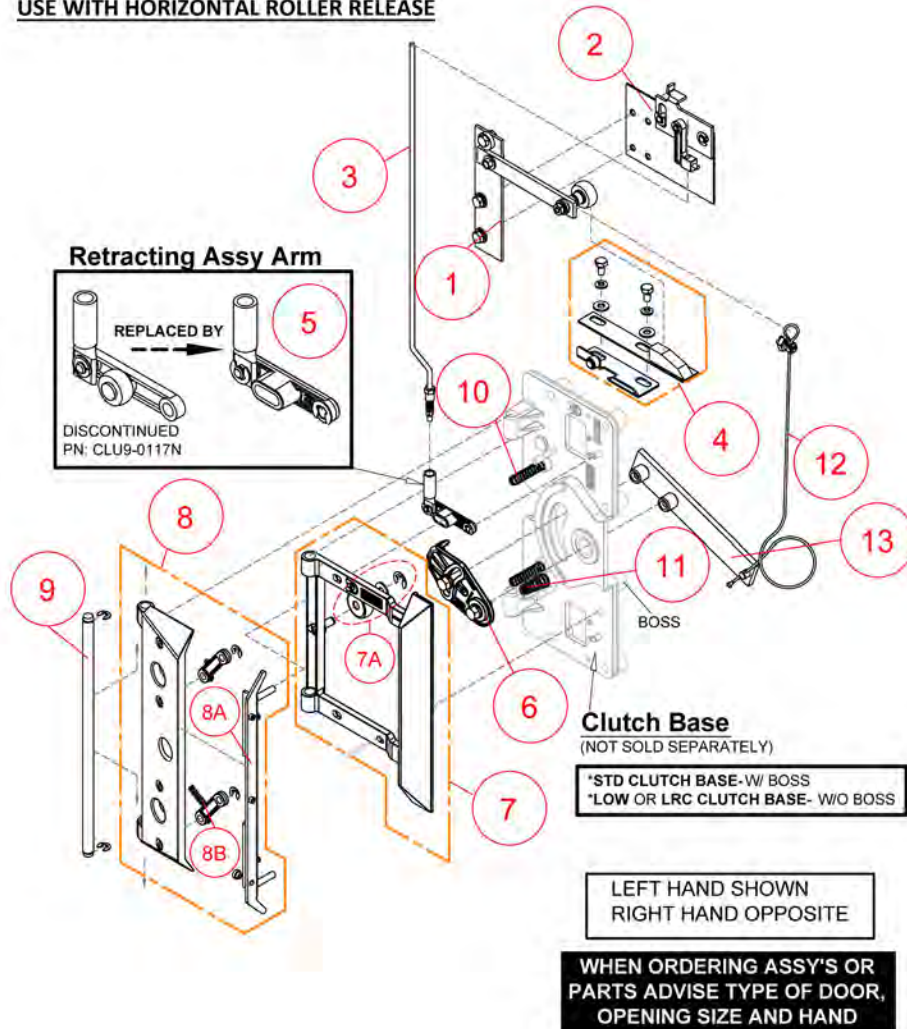
DOOR EQUIPMENT

Clutch Isometric Drawing

CWZ-2 Series w/ Car Zone Locking Assembly

Cable Actuated Clutch

USE WITH HORIZONTAL ROLLER RELEASE



Clutch Assemblies

Part No.	Item No	Description
CLU16-0025L/R	1	Linkage, CW-2/CWZ-2 Clutch Activation, Without Cam Assembly (Page# 284)
CLU9-0101L/R	2	Guide, Clutch Locking (Page# 282)
CLU9-XXXXX	3	Rod, 24"/36" LWZ-2 Clutch Zone Locking (See page 282)
CLU16-0032L/R	4	Cam Assembly, CWZ-2 Clutch Cable Locking Arm, LWZ-2 Retracting Assembly
CLU9-0256N	5	Retracting Assembly (Page# 283)
CLU9-0111N	6	Cam, Clutch Actuating, Standard (Page# 282)
CLU16-0023N	7	Vane, Door Close (Page# 287)
CLU9-0113N	7A	Roller, 1 1/4" DIA LWZ-2/LZ-2 Clutch (Page# 284)
CLU9-0257L/R	8	Vane, Door Open (Page# 287)

Part No.	Item No	Description
CLU9-0255N	8A	Sensing Bar & Pivot, LWZ-2 Zone Lock, With (2) 1 9/32" Long Pins (Page# 282)
SPG-0081N	8B	Spring, 7/8" LG x 1/4" OD. (.024 Wire-9 Turns) (Page# 288)
SHF-0065N	9	Shaft, 7/16" X 11 7/8" LG LWZ-2 Open Vane
SPG-0019N	10	Spring, 1 5/8" LG x 3/8" OD. (.037 Wire-14 Turns) (Page# 288)
SPG-0036N	11	Spring, 1 1/4" LG x 7/8" OD. (.063 Wire-7 1/2 Turns) (Page# 288)
CLU4-0025N	12	Cable, Type "C", "CW", "CW-2", "CWZ-2" Clutch, 32" Lg (1/16" Air Craft Preform Clear Nylon) (Page# 285)
CLU16-0013N	13	Link Assembly, CW-2/CWZ-2 Clutch (Page# 286)

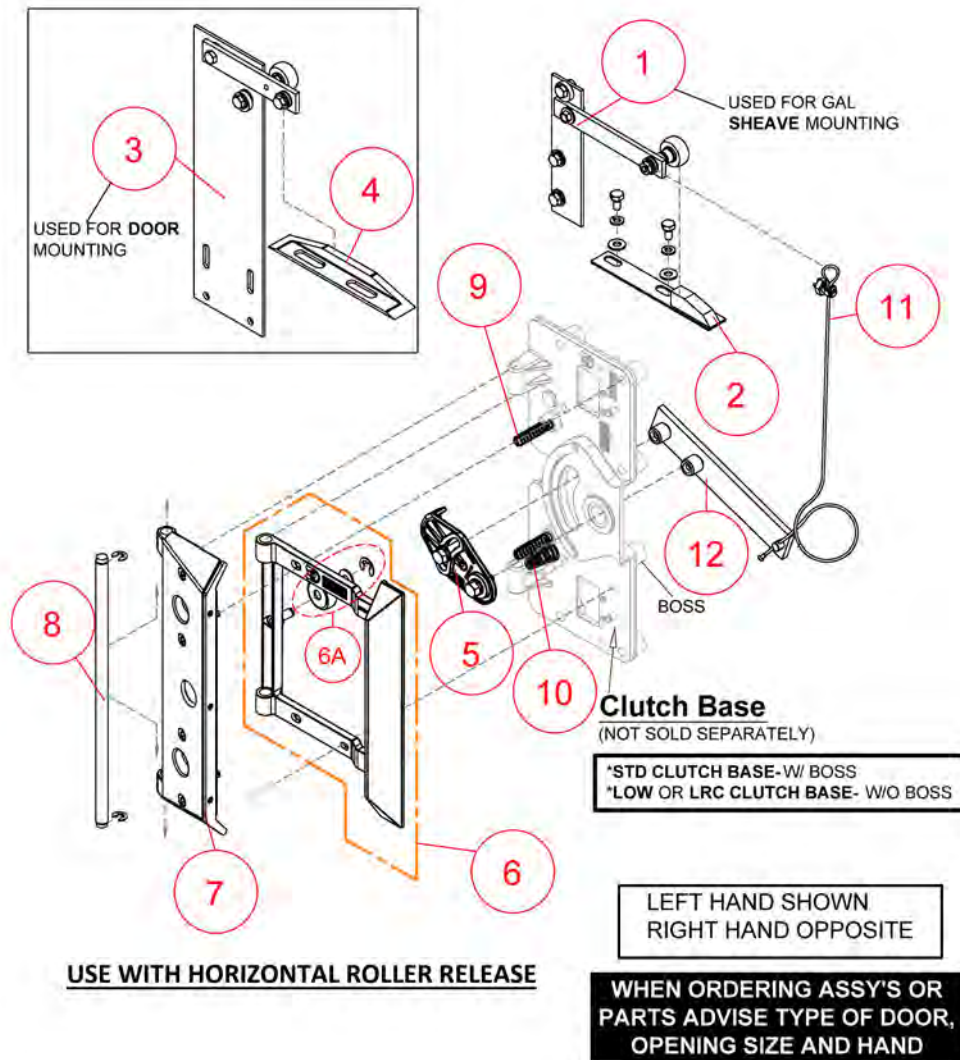
Mounting hardware included with clutch assemblies

DOOR EQUIPMENT

Clutch Isometric Drawing

CW-2 Series

Cable Actuated Clutch



Clutch Assemblies

Part No.	Item No	Description
CLU16-0025L/R	1	Linkage, CW-2/CWZ-2 Clutch Activation, Without Cam Ass'y (Page# 284)
CLU16-0019L/R	2	Cam Assembly, CWZ-2 Clutch Cable Locking (Page# 285)
CLU4-0017N BCST-0045N	3	12" Plate & Roller Assembly. (Page# 284)
CLU9-0111N	4	Cam, C/CW Clutch (Page# 285)
CLU16-0023N	5	Cam, Clutch Actuating, Standard (Page# 282)
CLU9-0113N	6	Vane, CW-2/CWZ-2 Door Close (Page# 287)
	6A	Roller, 1 1/4" DIA LWZ-2/LZ-2 Clutch (Page# 284)

Part No.	Item No	Description
CLU9-0255N	7	Vane, Door Open (Page# 282)
SHF-0065N	8	Shaft, 7/16" X 11 7/8" LG LWZ-2 Open Vane
SPG-0019N	9	Spring, 1 5/8" LG x 3/8" OD. (.037 Wire-14 Turns) (Page# 288)
SPG-0036N	10	Spring, 1 1/4" LG x 7/8" OD. (.063 Wire-7 1/2 Turns) (Page# 288)
CLU4-0025N	11	Cable, Type "C/CW/CW-2/CWZ-2" Clutch , 32" Lg (1/16" Air Craft Preform Clear Nylon) (Page# 285)
CLU16-0013N	12	Link Assembly, CW-2/CWZ-2 Clutch (Page# 286)

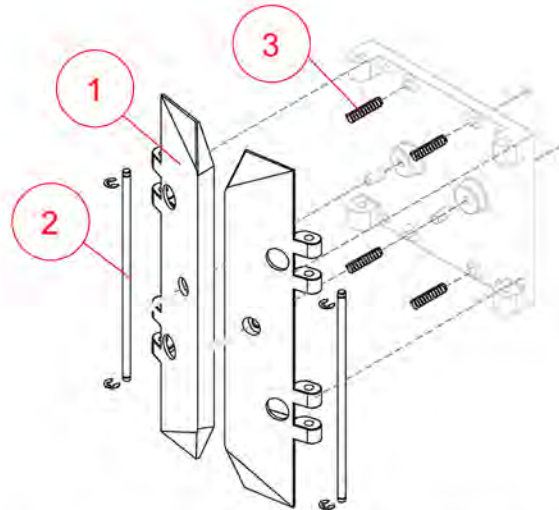
Mounting hardware included with clutch assemblies

DOOR EQUIPMENT

Clutch Isometric Drawing

S Clutch

Standard Clutch (use for single roller release)



NON RETRACTABLE USED WITH EARLY SHOE TYPE OPERATORS AND NON "L" TYPE OPERATORS

Clutch Assemblies

Part No.	Item No	Description
CLU8-0002N	1	Vane, Type "S" Clutch (Page# 287)
CLU8-0003N	2	Shaft, 9 3/4" Lg Type "S" Clutch Hinge (Call G.A.L.)

Part No.	Item No	Description
SPG-0019N	3	Spring, 1 5/8" LG x 3/8" OD. (.037 Wire-14 Turns) (Page# 288)

Mounting hardware included with clutch assemblies

DOOR EQUIPMENT

Link Actuated Clutch Assemblies

Conventional

LWZ-2



Mounting Hardware Included:

- (6) 1/16" & (3) 1/8" spacers
- (6) 5/16-18" x 1 3/4" Lg hex cap 1" bolts
- (6) 5/16-18" x 1 3/4" Lg carriage bolts
- (6) 5/16" ID x 9/16" OD x 0.093" thick lock washer
- (10) 1/4-20" x 7/16" W.A.C. hex steel plated nut
- (2) 1/4-20" x 1/2" hex head steel screw
- (2) 1/4" ID flat steel .060" thick washer
- (2) 1/4" ID x .075" thick spring lock washer

Running Clearance Range:

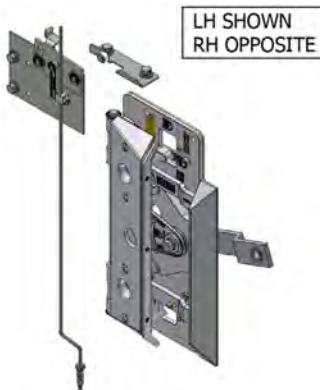
1"-1 1/2" (LOW and STD)

Running Clearance + Car Sill (Range):

3 1/4" - 3 13/16" (STD)

Part No.	Link Size	S/S	2/SP	3/SP	C/P	2SP/CP	List Price
CLU9-0005L/R	5 1/4"		24"-26"	30"-34"	24"-33"	32"-49"	\$518.00
CLU9-0002L/R	6"	30"-34"	27"-34"	35"-39"	34"-49"	50"-59"	\$518.00
CLU9-0009L/R	7"				60"-67"	60"-69"	\$518.00
CLU9-0003L/R	8"	35"-39"	35"-39"	40"-44"	50"-59"	70"-74"	\$518.00
CLU9-0010L/R	9"			45"-49"	75"-79"	75"-79"	\$518.00
CLU9-0001L/R	10"	22"-29" 40"-44"	40"-44"		80"-83"	84"-89"	\$518.00
CLU9-0011L	10"					80"-83"	\$518.00
CLU9-0012L/R	11"			50"-54"			\$518.00
CLU9-0004L/R	12"	45"-48"	45"-52"			90"-106"	\$518.00
CLU9-0006L/R	12"		53"-56"	55"-59"		107"-114"	\$518.00
CLU9-0007L/R	14"		57"-64"	60"-64"		115"-130"	\$518.00
CLU9-0008L/R	16"		65"-72"	65"-69"		131"-144"	\$518.00
CLU9-0051L/R*							\$595.00

LWZ-2-LOW



Mounting Hardware Included:

- (6) 1/16" & (9) 1/8" spacers
- (6) 5/16-18" x 1 1/4" Lg hex bolts
- (6) 5/16-18" x 1 3/4" Lg carriage bolts
- (6) 5/16" ID x 9/16" OD x 0.093" thick lock washer
- (10) 1/4-20 x 7/16" W.A.C. hex steel plated nut
- (2) 1/4-20 x 1/2" hex head steel screw
- (2) 1/4" ID flat steel .060" thick washer
- (2) 1/4" ID x .075" thick spring lock washer

Running Clearance Range:

1"-1 1/2" (LOW and STD)

Running Clearance + Car Sill (Range):

2 11/16" - 3 3/16" (LOW)

Part No.	Link Size	S/S	2/SP	3/SP	C/P	2SP/CP	List Price
CLU9-0017L/R	5 1/4"		24"-26"	30"-34"	24"-33"	32"-39" 40"-49"	\$549.00
CLU9-0014L/R	6"	30"-34"	27"-34"	35"-39"	34"-39" 40"-49"	50"-59"	\$549.00
CLU9-0021L	7"				60"-67"	60"-69"	\$549.00
CLU9-0015L/R	8"	35"-39"	35"-39"	40"-44"	50"-59" 68"-74"	70"-74"	\$549.00
CLU9-0022L/R	9"			45"-49"	75"-79"	75"-79"	\$549.00
CLU9-0013L/R	10"	22"-29" 40"-44"	40"-44"		80"-83"	84"-89"	\$549.00
CLU9-0023L	10"					80"-83"	\$549.00
CLU9-0024L/R	11"			50"-54"			\$549.00
CLU9-0016L/R	12"	45"-48"	45"-52"			90"-106"	\$549.00
CLU9-0018L/R	12"		53"-56"	55"-59"		107"-114"	\$549.00
CLU9-0019L/R	14"		57"-64"	60"-64"		115"-130"	\$549.00
CLU9-0020L/R	16"		65"-72"	65"-69"		131"-144"	\$549.00
CLU9-0052L/R*							\$626.00

Clutch Assemblies

DOOR EQUIPMENT

Link Actuated Clutch Assemblies

Conventional

LWZ-2-LRC STD



Mounting Hardware Included:

- (6) 1/16" & (3) 1/8" spacers
- (6) 5/16-18" x 1 3/4" Lg hex bolts
- (6) 5/16-18" x 1 3/4" Lg carriage bolts
- (6) 5/16" ID x 9/16" OD x 0.093" thick lock washer
- (10) 1/4-20" x 7/16" W.A.C. hex steel plated nut
- (2) 1/4-20" x 1/2" hex head steel screw
- (2) 1/4" ID flat steel .060" thick washer
- (2) 1/4" ID x .075" thick spring lock washer

Running Clearance Range:

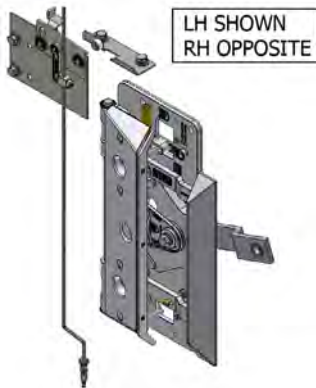
11/16"-15/16" (LRC STD)

Running Clearance + Car Sill (Range):

2 7/8" - 3 7/16" (LRC STD)

Part No.	Link Size	S/S	2/SP	3/SP	C/P	2SP/CP	List Price
CLU9-0197L/R	5 1/4"		24"-26"	30"-34"	24"-33"	32"-49"	\$678.00
CLU9-0194L/R	6"	30"-34"	27"-34"	35"-39"	34"-49"	50"-59"	\$678.00
CLU9-0201L/R	7"				60"-67"	60"-67"	\$678.00
CLU9-0195L/R	8"	35"-39"	35"-39"	40"-44"	50"-59"	70"-74"	\$678.00
CLU9-0202L/R	9"			45"-49"	75"-79"	75"-79"	\$678.00
CLU9-0193L/R	10"	22"-29" 40"-44"	40"-44"		80"-83"	84"-89"	\$678.00
CLU9-0203L/R	10"					80"-83"	\$678.00
CLU9-0204L/R	11"			50"-54"			\$678.00
CLU9-0196L/R	12"	45"-48"	45"-52"			90"-106"	\$678.00
CLU9-0198L/R	12"		53"-56"	55"-59"		107"-114"	\$678.00
CLU9-0199L/R	14"		57"-64"	60"-64"		115"-130"	\$678.00
CLU9-0200L/R	16"		65"-72"	65"-69"		131"-144"	\$678.00
CLU9-0247L/R*							\$755.00

LWZ-2-LRC LOW



Mounting Hardware Included:

- (6) 1/16" & (9) 1/8" spacers
- (6) 5/16-18" x 1 1/4" Lg hex bolts
- (6) 5/16-18" x 1 3/4" Lg carriage bolts
- (6) 5/16" ID x 9/16" OD x 0.093" thick lock washer
- (10) 1/4-20" x 7/16" W.A.C. hex steel plated nut
- (2) 1/4-20" x 1/2" hex head steel screw
- (2) 1/4" ID flat steel .060" thick washer
- (2) 1/4" ID x .075" thick spring lock washer

Running Clearance Range

11/16"-15/16" (LRC LOW)

Running Clearance + Car Sill (Range)

2 5/16" - 2 13/16" (LRC LOW)

Part No.	Link Size	S/S	2/SP	3/SP	C/P	2SP/CP	List Price
CLU9-0209L/R	5 1/4"		24"-26"	30"-34"	24"-33"	32"-49"	\$678.00
CLU9-0206L/R	6"	30"-34"	27"-34"	35"-39"	34"-49"	50"-59"	\$678.00
CLU9-0213L/R	7"				60"-67"	60"-67"	\$678.00
CLU9-0207L/R	8"	35"-39"	35"-39"	40"-44"	50"-59"	70"-74"	\$678.00
CLU9-0214L/R	9"			45"-49"	75"-79"	75"-79"	\$678.00
CLU9-0205L/R	10"	22"-29" 40"-44"	40"-44"		80"-83"	84"-89"	\$678.00
CLU9-0215L/R	10"				80"-83"		\$678.00
CLU9-0216L/R	11"			50"-54"			\$678.00
CLU9-0208L/R	12"	45"-48"	45"-52"			90"-106"	\$678.00
CLU9-0210L/R	12"		53"-56"	55"-59"		107"-114"	\$678.00
CLU9-0211L/R	14"		57"-64"	60"-64"		115"-130"	\$678.00
CLU9-0212L/R	16"		65"-72"	65"-69"		131"-144"	\$678.00
CLU9-0261L/R*							\$755.00

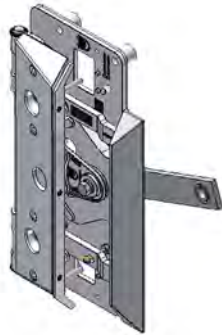
Clutch Assemblies

DOOR EQUIPMENT

Link Actuated Clutch Assemblies

Conventional

LW-2



Mounting Hardware Included:

- (6) 1/16" & (3) 1/8" spacers
- (6) 5/16-18" x 1 3/4" Lg hex bolts
- (6) 5/16-18" x 1 3/4" Lg carriage bolts
- (6) 5/16" ID x 9/16" OD x 0.093" thick lock washer
- (10) 1/4-20" x 7/16" W.A.C. hex steel plated nut

Running Clearance Range:

1"-1 1/2" (LOW and STD)

Running Clearance + Car Sill (Range):

3 1/4" - 3 13/16" (STD)

Part No.	Link Size	S/S	2/SP	3/SP	C/P	2SP/CP	List Price
CLU11-0001N	5 1/4"		24"-26"	30"-34"	24"-33"	32"-49"	\$415.00
CLU11-0002N	6"	30"-34"	27"-34"	35"-39"	34"-49"	50"-59"	\$415.00
CLU11-0003N	7"				60"-67"	60"-69"	\$415.00
CLU11-0004N	8"	35"-39"	35"-39"	40"-44"	50"-59" 68"-74"	70"-74"	\$415.00
CLU11-0005N	9"			45"-49"	75"-79"	75"-79"	\$415.00
CLU11-0006N	10"	24"-29" 40"-44"	40"-44"		80"-83"	80"-83"	\$415.00
CLU11-0007N	11"			50"-54"			\$415.00
CLU11-0008N	12"	45"-48"	45"-56"	55"-59"			\$415.00
CLU11-0009N	14"		57"-64"	60"-64"			\$415.00
CLU11-0010N	16"		65"-72"	65"-69"			\$415.00
CLU11-0086N*							\$492.00

LW-2-LOW



Mounting Hardware Included:

- (6) 1/16" & (9) 1/8" spacers
- (6) 5/16-18" x 1 1/4" Lg hex bolts
- (6) 5/16-18" x 1 3/4" Lg carriage bolts
- (6) 5/16" ID x 9/16" OD x 0.093" thick lock washer
- (10) 1/4-20" x 7/16" W.A.C. hex steel plated nut

Running Clearance Range:

1"-1 1/2" (LOW and STD)

Running Clearance + Car Sill (Range):

2 11/16" - 3 3/16" (LOW)

Part No.	Link Size	S/S	2/SP	3/SP	C/P	2SP/CP	List Price
CLU11-0011N	5 1/4"		24"-26"	30"-34"	24"-33"	32"-49"	\$446.00
CLU11-0012N	6"	30"-34"	27"-34"	35"-39"	34"-49"	50"-59"	\$446.00
CLU11-0013N	7"				60"-67"	60"-69"	\$446.00
CLU11-0014N	8"	35"-39"	35"-39"	40"-44"	50"-59" 68"-74"	70"-74"	\$446.00
CLU11-0015N	9"			45"-49"	75"-79"	75"-79"	\$446.00
CLU11-0016N	10"	24"-29" 40"-44"	40"-44"		80"-83"	80"-83"	\$446.00
CLU11-0017N	10"			50"-54"			\$446.00
CLU11-0018N	12"	45"-48"	45"-56"	55"-59"			\$446.00
CLU11-0019N	14"		57"-64"	60"-64"			\$446.00
CLU11-0020N	16"		65"-72"	65"-69"			\$446.00

Clutch Assemblies

DOOR EQUIPMENT

Link Actuated Clutch Assemblies

Conventional

LW-2-LRC STD



Mounting Hardware Included:

- (6) 1/16" & (3) 1/8" spacers
- (6) 5/16-18" x 1 3/4" Lg hex bolts
- (6) 5/16-18" x 1 3/4" Lg carriage bolts
- (6) 5/16" ID x 9/16" OD x 0.093" thick lock washer
- (10) 1/4-20" x 7/16" W.A.C. hex steel plated nut

Running Clearance Range:

11/16"-15/16" (LRC STD)

Running Clearance + Car Sill (Range):

2 7/8" - 3 7/16" (LRC STD)

Part No.	Link Size	S/S	2/SP	3/SP	C/P	2SP/CP	List Price
CLU11-0021L/R	5 1/4"		24"-26"	30"-34"	24"-33"	32"-49"	\$575.00
CLU11-0022L/R	6"	30"-34"	27"-34"	35"-39"	34"-49"	50"-59"	\$575.00
CLU11-0023L/R	7"				60"-67"	60"-69"	\$575.00
CLU11-0024L/R	8"	35"-39"	35"-39"	40"-44"	50"-59" 68"-74"	70"-74"	\$575.00
CLU11-0025L/R	9"			45"-49"	75"-79"		\$575.00
CLU11-0026L/R	10"	24"-29" 40"-44"	40"-44"		80"-83"		\$575.00
CLU11-0027L/R	11"			50"-54"			\$575.00
CLU11-0028L/R	12"	45"-48"	45"-56"	55"-59"			\$575.00
CLU11-0029L/R	14"		57"-64"	60"-64"			\$575.00
CLU11-0030L/R	16"		65"-72"	65"-69"			\$575.00
CLU11-0087L/R*							\$652.00

LW-2-LRC LOW



Mounting Hardware Included:

- (6) 1/16" & (9) 1/8" spacers
- (6) 5/16-18" x 1 1/4" Lg hex bolts
- (6) 5/16-18" x 1 3/4" Lg carriage bolts
- (6) 5/16" ID x 9/16" OD x 0.093" thick lock washer
- (10) 1/4-20" x 7/16" W.A.C. hex steel plated nut

Running Clearance Range:

11/16"-15/16" (LRC LOW)

Running Clearance + Car Sill (Range):

2 5/16" - 2 13/16" (LRC LOW)

Part No.	Link Size	S/S	2/SP	3/SP	C/P	2SP/CP	List Price
CLU11-0031L/R	5 1/4"		24"-26"	30"-34"	24"-33"	32"-49"	\$575.00
CLU11-0032L/R	6"	30"-34"	27"-34"	35"-39"	34"-49"	50"-59"	\$575.00
CLU11-0033L/R	7"				60"-67"	60"-69"	\$575.00
CLU11-0034L/R	8"	35"-39"	35"-39"	40"-44"	50"-59" 68"-74"	70"-74"	\$575.00
CLU11-0035L/R	9"			45"-49"	75"-79"		\$575.00
CLU11-0036L/R	10"	24"-29" 40"-44"	40"-44"		80"-83"		\$575.00
CLU11-0037L/R	11"			50"-54"			\$575.00
CLU11-0038L/R	12"	45"-48"	45"-48"	55"-59"			\$575.00
CLU11-0039L/R	14"		57"-64"	60"-64"			\$575.00
CLU11-0040L/R	16"		65"-72"	65"-69"			\$575.00

DOOR EQUIPMENT

Link Actuated Clutch Assemblies

Conventional

L-2



Mounting Hardware Included:

- (6) 1/16" & (3) 1/8" spacers
- (6) 5/16-18" x 1 3/4" Lg hex bolts
- (6) 5/16-18" x 1 3/4" Lg carriage bolts
- (6) 5/16" ID x 9/16" OD x 0.093" thick lock washer
- (10) 1/4-20" x 7/16" W.A.C. hex steel plated nut

Running Clearance Range:

1"-1 1/2" (LOW and STD)

Running Clearance + Car Sill (Range):

3 1/4" - 3 13/16" (STD)

Part No.	Link Size	S/S	2/SP	3/SP	C/P	2SP/CP	List Price
CLU15-0001N	5 1/4"		24"-26"	30"-34"	30"-33"	32"-49"	\$569.00
CLU15-0002N	6"	30"-34"	27"-34"	35"-39"	34"-49"	50"-59"	\$569.00
CLU15-0003N	7"				60"-67"	60"-69"	\$569.00
CLU15-0004N	8"	35"-39"	35"-39"	40"-44"	50"-59" 68"-74"	70"-74"	\$569.00
CLU15-0005N	9"			45"-49"	75"-79"	75"-79"	\$569.00
CLU15-0006N	10"	24"-29" 40"-44"	40"-44"		80"-83"	80"-83"	\$569.00
CLU15-0007N	11"			50"-54"			\$569.00
CLU15-0008N	12"	45"-48"	45"-56"	55"-59"			\$569.00
CLU15-0009N	14"		57"-64"	60"-64"			\$569.00
CLU15-0010N	16"		65"-72"	65"-69"			\$569.00

L-2-LOW



Mounting Hardware Included:

- (6) 1/16" & (9) 1/8" spacers
- (6) 5/16-18" x 1 1/4" Lg hex bolts
- (6) 5/16-18" x 1 3/4" Lg carriage bolts
- (6) 5/16" ID x 9/16" OD x 0.093" thick lock washer
- (10) 1/4-20" x 7/16" W.A.C. hex steel plated nut

Running Clearance Range:

1"-1 1/2" (LOW and STD)

Running Clearance + Car Sill (Range):

2 11/16" - 3 3/16" (LOW)

Part No.	Link Size	S/S	2/SP	3/SP	C/P	2SP/CP	List Price
CLU15-0011N	5 1/4"		24"-26"	30"-34"	30"-33"	32"-49"	\$600.00
CLU15-0012N	6"	30"-34"	27"-34"	35"-39"	34"-49"	50"-59"	\$600.00
CLU15-0013N	7"				60"-67"	60"-69"	\$600.00
CLU15-0014N	8"	35"-39"	35"-39"	40"-44"	50"-59" 68"-74"	70"-74"	\$600.00
CLU15-0015N	9"			45"-49"	75"-79"	75"-79"	\$600.00
CLU15-0016N	10"	24"-29" 40"-44"	40"-44"		80"-83"	80"-83"	\$600.00
CLU15-0017N	11"			50"-54"			\$600.00
CLU15-0018N	12"	45"-48"	45"-56"	55"-59"			\$600.00
CLU15-0019N	14"		57"-64"	60"-64"			\$600.00
CLU15-0020N	16"		65"-72"	65"-69"			\$600.00

Clutch Assemblies

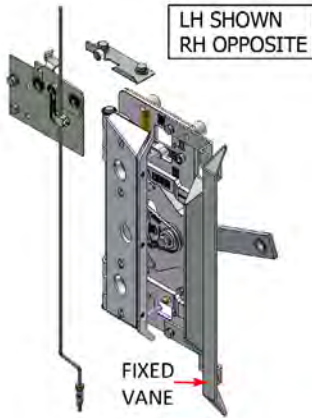
DOOR EQUIPMENT

Link Actuated Clutch Assemblies

Vandal Resistant

Clutch Assemblies

LWZ-2-HA



Mounting Hardware Included:

- (6) 1/16" & (3) 1/8" spacers
- (6) 5/16-18" x 1 3/4" Lg hex cap 1" bolts
- (6) 5/16-18" x 1 3/4" Lg carriage bolts
- (6) 5/16" ID x 9/16" OD x 0.093" thick lock washer
- (10) 1/4-20" x 7/16" W.A.C. hex steel plated nut
- (2) 1/4-20" x 1/2" hex head steel screw
- (2) 1/4" ID flat steel .060" thick washer
- (2) 1/4" ID x .075" thick spring lock washer

Running Clearance Range:

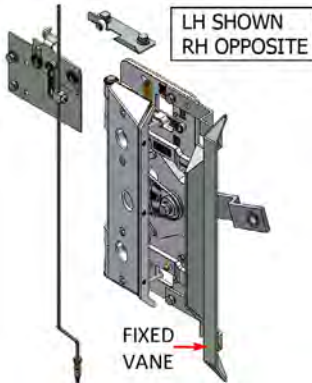
1"-1 1/2" (LOW and STD)

Running Clearance + Car Sill (Range):

3 1/4" - 3 13/16" (STD)

Part No.	Link Size	S/S	2/SP	C/P	List Price
CLU9-0142L/R*	5 1/4"		24"-26"	30"-33"	\$570.00
CLU9-0140L/R*	6"	25"-34"	27"-34"	34"-49"	\$570.00
CLU9-0141L/R*	8"	35"-42"	35"-39"	50"-59"	\$570.00
CLU9-0143L/R*	10"		40"-44"		\$570.00
CLU9-0144L/R*	12"		45"-52"		\$570.00
CLU9-0145L/R*	12"		53"-56"		\$570.00
CLU9-0146L/R*	14"		57"-64"		\$570.00
CLU9-0147L/R*	16"		65"-72"		\$570.00
CLU9-0248L/R*					\$647.00

LWZ-2-HA-LOW



Mounting Hardware Included:

- (6) 1/16" & (9) 1/8" spacers
- (6) 5/16-18" x 1 1/4" Lg hex bolts
- (6) 5/16-18" x 1 3/4" Lg carriage bolts
- (6) 5/16" ID x 9/16"OD x 0.093" thick lock washer
- (10) 1/4-20 x 7/16" W.A.C. hex steel plated nut
- (2) 1/4-20 x 1/2" hex head steel screw
- (2) 1/4" ID flat steel .060" thick washer
- (2) 1/4" ID x .075" thick spring lock washer

Running Clearance Range:

1"-1 1/2" (LOW and STD)

Running Clearance + Car Sill (Range):

2 11/16" - 3 3/16" (LOW)

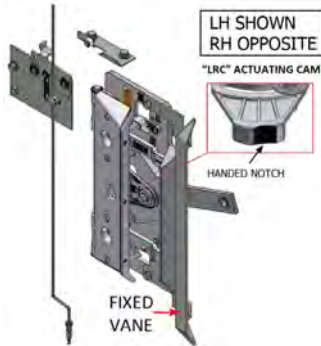
Part No.	Link Size	S/S	2/SP	C/P	List Price
CLU9-0150L/R*	5 1/4"		24"-26"	30"-33"	\$601.00
CLU9-0148L/R*	6"	25"-34"	27"-34"	34"-49"	\$601.00
CLU9-0149L/R*	8"	35"-42"	35"-39"	50"-59"	\$601.00
CLU9-0151L/R*	10"		40"-44"		\$601.00
CLU9-0152L/R*	12"		45"-52"		\$601.00
CLU9-0153L/R*	12"		53"-56"		\$601.00
CLU9-0154L/R*	14"		57"-64"		\$601.00
CLU9-0155L/R*	16"		65"-72"		\$601.00

DOOR EQUIPMENT

Link Actuated Clutch Assemblies

Vandal Resistant

LWZ-2-HA-LRC STD



Mounting Hardware Included:

- (6) 1/16" & (3) 1/8" spacers
- (6) 5/16-18" x 1 3/4" Lg hex bolts
- (6) 5/16-18" x 1 3/4" Lg carriage bolts
- (6) 5/16" ID x 9/16" OD x 0.093" thick lock washer
- (10) 1/4-20" x 7/16" W.A.C. hex steel plated nut
- (2) 1/4-20" x 1/2" hex head steel screw
- (2) 1/4" ID flat steel .060" thick washer
- (2) 1/4" ID x .075" thick spring lock washer

Running Clearance Range:

11/16" - 15/16" (LRC STD)

Running Clearance + Car Sill (Range):

2 7/8" - 3 7/16" (LRC STD)

Part No.	Link Size	S/S	2/SP	C/P	List Price
CLU9-0158L/R*	5 1/4"		24"-26"	30"-33"	\$730.00
CLU9-0156L/R*	6"	25"-34"	27"-34"	34"-49"	\$730.00
CLU9-0157L/R*	8"	35"-42"	35"-39"	50"-59"	\$730.00
CLU9-0159L/R*	10"		40"-44"		\$730.00
CLU9-0160L/R*	12"		45"-52"		\$730.00
CLU9-0161L/R*	12"		53"-56"		\$730.00
CLU9-0162L/R*	14"		57"-64"		\$730.00
CLU9-0163L/R*	16"		65"-72"		\$730.00
CLU9-0249L/R*					\$807.00

LWZ-2-HA-LRC LOW



Mounting Hardware Included:

- (6) 1/16" & (9) 1/8" spacers
- (6) 5/16-18" x 1 1/4" Lg hex bolts
- (6) 5/16-18" x 1 3/4" Lg carriage bolts
- (6) 5/16" ID x 9/16" OD x 0.093" thick lock washer
- (10) 1/4-20" x 7/16" W.A.C. hex steel plated nut
- (2) 1/4-20" x 1/2" hex head steel screw
- (2) 1/4" ID flat steel .060" thick washer
- (2) 1/4" ID x .075" thick spring lock washer

Running Clearance Range

11/16" - 15/16" (LRC LOW)

Running Clearance + Car Sill (Range)

2 5/16" - 2 13/16" (LRC LOW)

Part No.	Link Size	S/S	2/SP	C/P	List Price
CLU9-0166L/R*	5 1/4"		24"-26"	30"-33"	\$730.00
CLU9-0164L/R*	6"	25"-34"	27"-34"	34"-49"	\$730.00
CLU9-0165L/R*	8"	35"-42"	35"-39"	50"-59"	\$730.00
CLU9-0167L/R*	10"		40"-44"		\$730.00
CLU9-0168L/R*	12"		45"-52"		\$730.00
CLU9-0169L/R*	12"		53"-56"		\$730.00
CLU9-0170L/R*	14"		57"-64"		\$730.00
CLU9-0171L/R*	16"		65"-72"		\$730.00

Clutch Assemblies

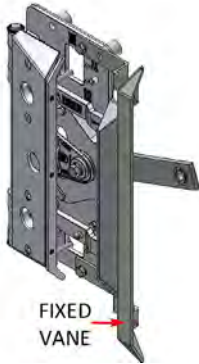
DOOR EQUIPMENT

Link Actuated Clutch Assemblies

Vandal Resistant

Clutch Assemblies

LW-2-HA



Mounting Hardware Included:

- (6) 1/16" & (3) 1/8" spacers
- (6) 5/16-18" x 1 3/4" Lg hex bolts
- (6) 5/16-18" x 1 3/4" Lg carriage bolts
- (6) 5/16" ID x 9/16" OD x 0.093" thick lock washer
- (10) 1/4-20" x 7/16" W.A.C. hex steel plated nut

Running Clearance Range:

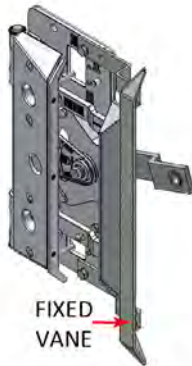
1"-1 1/2" (LOW and STD)

Running Clearance + Car Sill (Range):

3 1/4" - 3 13/16" (STD)

Part No.	Link Size	S/S	2/SP	3/SP	C/P	List Price
CLU11-0041N*	5 1/4"		24"-26"		30"-33"	\$467.00
CLU11-0042N*	6"	24"-34"	27"-34"		34"-49"	\$467.00
CLU11-0043N*	7"				60"-67"	\$467.00
CLU11-0044N*	8"	35"-42"	35"-39"		50"-59"	\$467.00
CLU11-0045N*	9"				75"-79"	\$467.00
CLU11-0046N*	10"		40"-44"			\$467.00
CLU11-0047N*	11"			50"-54"		\$467.00
CLU11-0048N*	12"		45"-56"			\$467.00
CLU11-0049N*	14"		57"-64"			\$467.00
CLU11-0050N*	16"		65"-72"			\$467.00
						\$544.00

LW-2-HA-LOW



Mounting Hardware Included:

- (6) 1/16" & (9) 1/8" spacers
- (6) 5/16-18" x 1 1/4" Lg hex bolts
- (6) 5/16-18" x 1 3/4" Lg carriage bolts
- (6) 5/16" ID x 9/16" OD x 0.093" thick lock washer
- (10) 1/4-20" x 7/16" W.A.C. hex steel plated nut

Running Clearance Range:

1"-1 1/2" (LOW and STD)

Running Clearance + Car Sill (Range):

2 11/16" - 3 3/16" (LOW)

Part No.	Link Size	S/S	2/SP	3/SP	C/P	List Price
CLU11-0051N*	5 1/4"		24"-26"		30"-33"	\$498.00
CLU11-0052N*	6"	24"-34"	27"-34"		34"-49"	\$498.00
CLU11-0053N*	7"				60"-67"	\$498.00
CLU11-0054N*	8"	35"-42"	35"-39"		50"-59"	\$498.00
CLU11-0055N*	9"				75"-79"	\$498.00
CLU11-0056N*	10"		40"-44"			\$498.00
CLU11-0057N*	11"			50"-54"		\$498.00
CLU11-0058N*	12"		45"-56"			\$498.00
CLU11-0059N*	14"		57"-64"			\$498.00
CLU11-0060N*	16"		65"-72"			\$498.00

DOOR EQUIPMENT

Link Actuated Clutch Assemblies

Vandal Resistant

LW-2-HA-LRC STD



Mounting Hardware Included:

- (6) 1/16" & (3) 1/8" spacers
- (6) 5/16-18" x 1 3/4" Lg hex bolts
- (6) 5/16-18" x 1 3/4" Lg carriage bolts
- (6) 5/16" ID x 9/16" OD x 0.093" thick lock washer
- (10) 1/4-20" x 7/16" W.A.C. hex steel plated nut

Running Clearance Range:

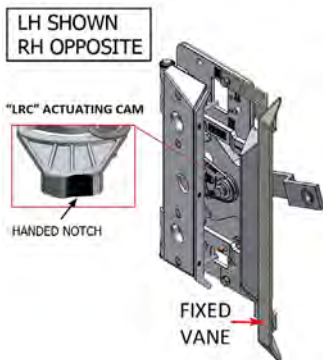
11/16"-15/16" (LRC STD)

Running Clearance + Car Sill (Range):

2 7/8" - 3 7/16" (LRC STD)

Part No.	Link Size	S/S	2/SP	3/SP	C/P	List Price
CLU11-0061L/R*	5 1/4"		24"-26"		30"-33"	\$627.00
CLU11-0062L/R*	6"	24"-34"	27"-34"		34"-49"	\$627.00
CLU11-0063L/R*	7"				60"-67"	\$627.00
CLU11-0064L/R*	8"	35"-42"	35"-39"		50"-59"	\$627.00
CLU11-0065L/R*	9"				75"-79"	\$627.00
CLU11-0066L/R*	10"		40"-44"			\$627.00
CLU11-0067L/R*	11"			50"-54"		\$627.00
CLU11-0068L/R*	12"		45"-56"			\$627.00
CLU11-0069L/R*	14"		57"-64"			\$627.00
CLU11-0070L/R*	16"		65"-72"			\$627.00
CLU11-0089L/R*						\$704.00

LW-2-HA-LRC LOW



Mounting Hardware Included:

- (6) 1/16" & (9) 1/8" spacers
- (6) 5/16-18" x 1 1/4" Lg hex bolts
- (6) 5/16-18" x 1 3/4" Lg carriage bolts
- (6) 5/16" ID x 9/16" OD x 0.093" thick lock washer
- (10) 1/4-20" x 7/16" W.A.C. hex steel plated nut

Running Clearance Range:

11/16"-15/16" (LRC LOW)

Running Clearance + Car Sill (Range):

2 5/16" - 2 13/16" (LRC LOW)

Part No.	Link Size	S/S	2/SP	3/SP	C/P	List Price
CLU11-0071L/R*	5 1/4"		24"-26"		30"-33"	\$627.00
CLU11-0072L/R*	6"	24"-34"	27"-34"		34"-49"	\$627.00
CLU11-0073L/R*	7"				60"-67"	\$627.00
CLU11-0074L/R*	8"	35"-42"	35"-39"		50"-59"	\$627.00
CLU11-0075L/R*	9"				75"-79"	\$627.00
CLU11-0076L/R*	10"		40"-44"			\$627.00
CLU11-0077L/R*	11"			50"-54"		\$627.00
CLU11-0078L/R*	12"		45"-56"			\$627.00
CLU11-0079L/R*	14"		57"-64"			\$627.00
CLU11-0080L/R*	16"		65"-72"			\$627.00

Clutch Assemblies

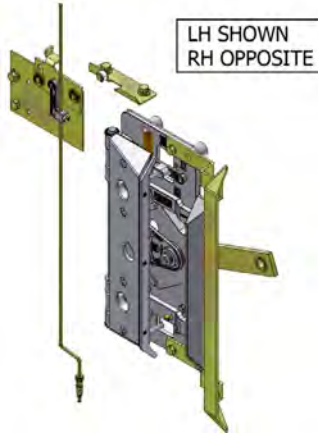
DOOR EQUIPMENT

Link Actuated Clutch Assemblies

Water Resistant

Clutch Assemblies

LWZ-2-W



Mounting Hardware Included:

- (6) 1/16" & (3) 1/8" spacers
- (6) 5/16-18" x 1 3/4" Lg hex cap 1" bolts
- (6) 5/16-18" x 1 3/4" Lg carriage bolts
- (6) 5/16" ID x 9/16" OD x 0.093" thick lock washer
- (10) 1/4-20" x 7/16" W.A.C. hex steel plated nut
- (2) 1/4-20" x 1/2" hex head steel screw
- (2) 1/4" ID flat steel .060" thick washer
- (2) 1/4" ID x .075" thick spring lock washer

Running Clearance Range:

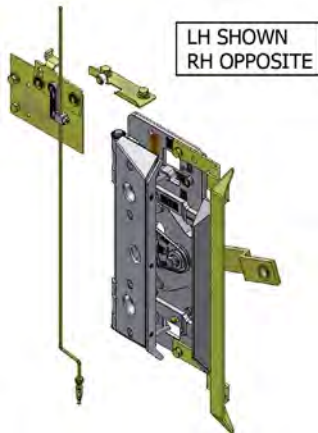
1"-1 1/2" (LOW and STD)

Running Clearance + Car Sill (Range):

3 1/4" - 3 13/16" (STD)

Part No.	Link Size	S/S	2/SP	3/SP	C/P	2SP/CP	List Price
CLU12-0005L/R*	5 1/4"		24"-26"	30"-34"	24"-33"	32"-49"	\$1,035.00
CLU12-0002L/R*	6"	30"-34"	27"-34"	35"-39"	34"-49"	50"-59"	\$1,035.00
CLU12-0009L/R*	7"				60"-67"	60"-69"	\$1,035.00
CLU12-0003L/R*	8"	35"-39"	35"-39"	40"-44"	50"-59"	70"-74"	\$1,035.00
CLU12-0010L/R*	9"			45"-49"	75"-79"	75"-79"	\$1,035.00
CLU12-0001L/R*	10"	22"-29"	40"-44"		80"-83"		\$1,035.00
CLU12-0011L/R*	10"	40"-44"				80"-83"	\$1,035.00
CLU12-0012L/R*	11"			50"-54"			\$1,035.00
CLU12-0004L/R*	12"	45"-48"	45"-52"				\$1,035.00
CLU12-0006L/R*	12"		53"-56"	55"-59"			\$1,035.00
CLU12-0007L/R*	14"		57"-64"	60"-64"			\$1,035.00
CLU12-0008L/R*	16"		65"-72"	65"-69"			\$1,035.00

LWZ-2-LOW-W



Mounting Hardware Included:

- (6) 1/16" & (9) 1/8" spacers
- (6) 5/16-18" x 1 1/4" Lg hex bolts
- (6) 5/16-18" x 1 3/4" Lg carriage bolts
- (6) 5/16" ID x 9/16" OD x 0.093" thick lock washer
- (10) 1/4-20" x 7/16" W.A.C. hex steel plated nut

Running Clearance Range:

1"-1 1/2" (LOW and STD)

Running Clearance + Car Sill (Range):

2 11/16" - 3 3/16" (LOW)

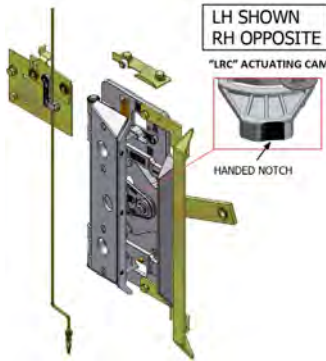
Part No.	Link Size	S/S	2/SP	3/SP	C/P	2SP/CP	List Price
CLU12-0045L/R*	5 1/4"		24"-26"	30"-34"	24"-33"	32"-49"	\$1,066.00
CLU12-0042L/R*	6"	30"-34"	27"-34"	35"-39"	34"-49"	50"-59"	\$1,066.00
CLU12-0049L/R*	7"				60"-67"	60"-69"	\$1,066.00
CLU12-0043L/R*	8"	35"-39"	35"-39"	40"-44"	50"-59"	70"-74"	\$1,066.00
CLU12-0050L/R*	9"			45"-49"	75"-79"	75"-79"	\$1,066.00
CLU12-0013L/R*	10"	22"-29"	40"-44"		80"-83"		\$1,066.00
CLU12-0051L/R*	10"	40"-44"				80"-83"	\$1,066.00
CLU12-0052L/R*	11"			50"-54"			\$1,066.00
CLU12-0044L/R*	12"	45"-48"	45"-52"				\$1,066.00
CLU12-0046L/R*	12"		53"-56"	55"-59"			\$1,066.00
CLU12-0047L/R*	14"		57"-64"	60"-64"			\$1,066.00
CLU12-0048L/R*	16"		65"-72"	65"-69"			\$1,066.00

DOOR EQUIPMENT

Link Actuated Clutch Assemblies

Water Resistant

LWZ-2-LRC-W STD



Mounting Hardware Included:

- (6) 1/16" & (3) 1/8" spacers
- (6) 5/16-18" x 1 3/4" Lg hex bolts
- (6) 5/16-18" x 1 3/4" Lg carriage bolts
- (6) 5/16" ID x 9/16" OD x 0.093" thick lock washer
- (10) 1/4-20" x 7/16" W.A.C. hex steel plated nut
- (2) 1/4-20" x 1/2" hex head steel screw
- (2) 1/4" ID flat steel .060" thick washer
- (2) 1/4" ID x .075" thick spring lock washer

Running Clearance Range:
11/16" - 15/16" (LRC STD)

Running Clearance + Car Sill (Range):
2 7/8" - 3 7/16" (LRC STD)

Part No.	Link Size	S/S	2/SP	3/SP	C/P	2SP/CP	List Price
CLU12-0076L/R*	5 1/4"		24"-26"	30"-34"	24"-33"	32"-49"	\$1,196.00
CLU12-0073L/R*	6"	30"-34"	27"-34"	35"-39"	34"-49"	50"-59"	\$1,196.00
CLU12-0080L/R*	7"				60"-67"	60"-69"	\$1,196.00
CLU12-0074L/R*	8"	35"-39"	35"-39"	40"-44"	50"-59"	68"-74"	\$1,196.00
CLU12-0081L/R*	9"			45"-49"	75"-79"	75"-79"	\$1,196.00
CLU12-0041L/R*	10"	22"-29" 40"-44"	40"-44"		80"-83"		\$1,196.00
CLU12-0082L/R*	10"					80"-83"	\$1,196.00
CLU12-0083L/R*	11"			50"-54"			\$1,196.00
CLU12-0075L/R*	12"	45"-48"	45"-52"				\$1,196.00
CLU12-0077L/R*	12"		53"-56"	55"-59"			\$1,196.00
CLU12-0078L/R*	14"		57"-64"	60"-64"			\$1,196.00
CLU12-0079L/R*	16"		65"-72"				\$1,196.00

LWZ-2-LRC-W LOW



Mounting Hardware Included:

- (6) 1/16" & (9) 1/8" spacers
- (6) 5/16-18" x 1 1/4" Lg hex bolts
- (6) 5/16-18" x 1 3/4" Lg carriage bolts
- (6) 5/16" ID x 9/16" OD x 0.093" thick lock washer
- (10) 1/4-20" x 7/16" W.A.C. hex steel plated nut
- (2) 1/4-20" x 1/2" hex head steel screw
- (2) 1/4" ID flat steel .060" thick washer
- (2) 1/4" ID x .075" thick spring lock washer

Running Clearance Range:
11/16" - 15/16" (LRC LOW)

Running Clearance + Car Sill (Range):
2 5/16" - 2 13/16" (LRC LOW)

Part No.	Link Size	S/S	2/SP	3/SP	C/P	2SP/CP	List Price
CLU12-0087L/R*	5 1/4"		24"-26"	30"-34"	24"-33"	32"-49"	\$1,196.00
CLU12-0084L/R*	6"	30"-34"	27"-34"	35"-39"	34"-49"	50"-59"	\$1,196.00
CLU12-0091L/R*	7"				60"-67"	60"-69"	\$1,196.00
CLU12-0085L/R*	8"	35"-39"	35"-39"	40"-44"	50"-59"	68"-74"	\$1,196.00
CLU12-0092L/R*	9"			45"-49"	75"-79"	75"-79"	\$1,196.00
CLU12-0040L/R*	10"	22"-29" 40"-44"	40"-44"		80"-83"		\$1,196.00
CLU12-0093L/R*	10"					80"-83"	\$1,196.00
CLU12-0094L/R*	11"			50"-54"			\$1,196.00
CLU12-0086L/R*	12"	45"-48"	45"-52"				\$1,196.00
CLU12-0088L/R*	12"		53"-56"	55"-59"			\$1,196.00
CLU12-0089L/R*	14"		57"-64"	60"-64"			\$1,196.00
CLU12-0090L/R*	16"		65"-72"	65"-69"			\$1,196.00

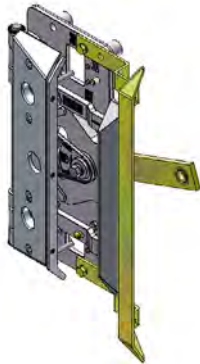
Clutch Assemblies

DOOR EQUIPMENT

Link Actuated Clutch Assemblies

Water Resistant

Clutch Assemblies



LW-2-W

Mounting Hardware Included:

- (6) 1/16" & (3) 1/8" spacers
- (6) 5/16-18" x 1 3/4" Lg hex bolts
- (6) 5/16-18" x 1 3/4" Lg carriage bolts
- (6) 5/16" ID x 9/16" OD x 0.093" thick lock washer
- (10) 1/4-20" x 7/16" W.A.C. hex steel plated nut

Running Clearance Range:

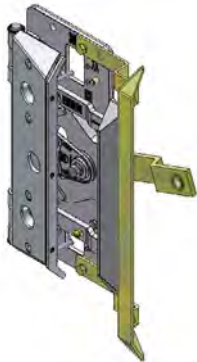
1"-1 1/2" (LOW and STD)

Running Clearance + Car Sill (Range):

3 1/4" - 3 13/16" (STD)

Part No.	Link Size	S/S	2/SP	3/SP	C/P	2SP/CP	List Price
CLU13-0001N*	5 1/4"		24"-26"	30"-34"	24"-33"	32"-49"	\$881.00
CLU13-0002N*	6"	30"-34"	27"-34"	35"-39"	34"-49"	50"-59"	\$881.00
CLU13-0003N*	7"				60"-67"	60"-69"	\$881.00
CLU13-0004N*	8"	35"-39"	35"-39"	40"-44"	50"-59" 68"-74"	70"-74"	\$881.00
CLU13-0005N*	9"			45"-49"	75"-79"	75"-79"	\$881.00
CLU13-0006N*	10"	24"-29" 40"-44"	40"-44"		80"-83"	80"-83"	\$881.00
CLU13-0007N*	11"			50"-54"			\$881.00
CLU13-0008N*	12"	45"-48"	45"-56"	55"-59"			\$881.00
CLU13-0009N*	14"		57"-64"	60"-64"			\$881.00
CLU13-0010N*	16"		65"-72"	65"-69"			\$881.00

LW-2-LOW-W



Mounting Hardware Included:

- (6) 1/16" & (9) 1/8" spacers
- (6) 5/16-18" x 1 1/4" Lg hex bolts
- (6) 5/16-18" x 1 3/4" Lg carriage bolts
- (6) 5/16" ID x 9/16" OD x 0.093" thick lock washer
- (10) 1/4-20" x 7/16" W.A.C. hex steel plated nut

Running Clearance Range:

1"-1 1/2" (LOW and STD)

Running Clearance + Car Sill (Range):

2 11/16" - 3 3/16" (LOW)

Part No.	Link Size	S/S	2/SP	3/SP	C/P	2SP/CP	List Price
CLU13-0011N*	5 1/4"		24"-26"	30"-34"	24"-33"	32"-49"	\$912.00
CLU13-0012N*	6"	30"-34"	27"-34"	35"-39"	34"-49"	50"-59"	\$912.00
CLU13-0013N*	7"				60"-67"	60"-69"	\$912.00
CLU13-0014N*	8"	35"-39"	35"-39"	40"-44"	50"-59" 68"-74"	70"-74"	\$912.00
CLU13-0015N*	9"			45"-49"	75"-79"	75"-79"	\$912.00
CLU13-0016N*	10"	24"-29" 40"-44"	40"-44"		80"-83"	80"-83"	\$912.00
CLU13-0017N*	11"			50"-54"			\$912.00
CLU13-0018N*	12"	45"-48"	45"-56"	55"-59"			\$912.00
CLU13-0019N*	14"		57"-64"	60"-64"			\$912.00
CLU13-0020N*	16"		65"-72"	65"-69"			\$912.00

DOOR EQUIPMENT

Link Actuated Clutch Assemblies

Water Resistant

LW-2-LRC-W STD



Mounting Hardware Included:

- (6) 1/16" & (3) 1/8" spacers
- (6) 5/16-18" x 1 3/4" Lg hex bolts
- (6) 5/16-18" x 1 3/4" Lg carriage bolts
- (6) 5/16" ID x 9/16" OD x 0.093" thick lock washer
- (10) 1/4-20" x 7/16" W.A.C. hex steel plated nut

Running Clearance Range:

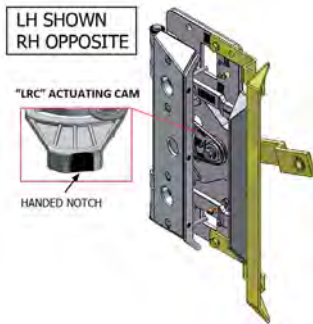
11/16"-15/16" (LRC STD)

Running Clearance + Car Sill (Range):

2 7/8" - 3 7/16" (LRC STD)

Part No.	Link Size	S/S	2/SP	3/SP	C/P	2SP/CP	List Price
CLU13-0021L/R*	5 1/4"		24"-26"	30"-34"	24"-33"	32"-49"	\$1,042.00
CLU13-0022L/R*	6"	30"-34"	27"-34"	35"-39"	34"-49"	50"-59"	\$1,042.00
CLU13-0023L/R*	7"				60"-67"	60"-69"	\$1,042.00
CLU13-0024L/R*	8"	35"-39"	35"-39"	40"-44"	50"-59" 68"-74"	70"-74"	\$1,042.00
CLU13-0025L/R*	9"			45"-49"	75"-79"	75"-79"	\$1,042.00
CLU13-0026L/R*	10"	24"-29" 40"-44"	40"-44"		80"-83"	80"-83"	\$1,042.00
CLU13-0027L/R*	11"			50"-54"			\$1,042.00
CLU13-0028L/R*	12"	45"-48"	45"-56"	55"-59"			\$1,042.00
CLU13-0029L/R*	14"		57"-64"	60"-64"			\$1,042.00
CLU13-0030L/R*	16"		65"-72"	65"-69"			\$1,042.00

LW-2-LRC-W LOW



Mounting Hardware Included:

- (6) 1/16" & (9) 1/8" spacers
- (6) 5/16-18" x 1 1/4" Lg hex bolts
- (6) 5/16-18" x 1 3/4" Lg carriage bolts
- (6) 5/16" ID x 9/16" OD x 0.093" thick lock washer
- (10) 1/4-20" x 7/16" W.A.C. hex steel plated nut

Running Clearance Range:

11/16"-15/16" (LRC LOW)

Running Clearance + Car Sill (Range):

2 5/16" - 2 13/16" (LRC LOW)

Part No.	Link Size	S/S	2/SP	3/SP	C/P	2SP/CP	List Price
CLU13-0031L/R*	5 1/4"		24"-26"	30"-34"	24"-33"	32"-49"	\$1,042.00
CLU13-0032L/R*	6"	30"-34"	27"-34"	35"-39"	34"-49"	50"-59"	\$1,042.00
CLU13-0033L/R*	7"				60"-67"	60"-69"	\$1,042.00
CLU13-0034L/R*	8"	35"-39"	35"-39"	40"-44"	50"-59" 68"-74"	70"-74"	\$1,042.00
CLU13-0035L/R*	9"			45"-49"	75"-79"	75"-79"	\$1,042.00
CLU13-0036L/R*	10"	24"-29" 40"-44"	40"-44"		80"-83"	80"-83"	\$1,042.00
CLU13-0037L/R*	11"			50"-54"			\$1,042.00
CLU13-0038L/R*	12"	45"-48"	45"-56"	55"-59"			\$1,042.00
CLU13-0039L/R*	14"		57"-64"	60"-64"			\$1,042.00
CLU13-0040L/R*	16"		65"-72"	65"-69"			\$1,042.00

Clutch Assemblies

DOOR EQUIPMENT

Link Actuated Clutch Assemblies

Dust/Explosion Resistant

LWZ-2-HA

Clutch Assemblies



Mounting Hardware Included:

- (6) 1/16" & (3) 1/8" spacers
- (6) 5/16-18" x 1 3/4" Lg hex cap 1" bolts
- (6) 5/16-18" x 1 3/4" Lg carriage bolts
- (6) 5/16" ID x 9/16" OD x 0.093" thick lock washer
- (10) 1/4-20" x 7/16" W.A.C. hex steel plated nut
- (2) 1/4-20" x 1/2" hex head steel screw
- (2) 1/4" ID flat steel .060" thick washer
- (2) 1/4" ID x .075" thick spring lock washer

Running Clearance Range:

1"-1 1/2" (LOW and STD)

Running Clearance + Car Sill (Range):

3 1/4" - 3 13/16" (STD)

Part No.	Link Size	S/S	List Price
CLU9-0140L/R*	6"	30"-34"	\$570.00
CLU9-0141L/R*	8"	35"-39"	\$570.00
CLU9-0143L/R*	10"	22"-29" 40"-44"	\$570.00

Conventional

"S" Standard Clutch



"S" standard clutch used with "MO" single roller release assembly and early shoe type operators and non "L" type operators before 1964.

Mounting Hardware Included:

- (4) 5/16-18" x 1 1/4" Lg hex bolt
- (4) 5/16" ID x 9/16" OD x 0.075" thick lock washer
- (4) 3/8" ID x 7/8" OD x 0.100" thick washer
- (4) 3/8" ID x 1" OD x 0.307" thick spacer

Running Clearance Range:

1"-1 1/2" (LOW and STD)

Running Clearance + Car Sill (Range):

3 1/4" - 3 13/16" (STD)

Part No.	S/S	2/SP	List Price
CLU8-0001N	24"-48"	24"-72"	\$501.00

DOOR EQUIPMENT

Cable Actuated Clutch Assemblies

Conventional

CW-2

Mounting Hardware Included:

- (6) 1/16" & (3) 1/8" spacers
- (6) 5/16-18" x 1 3/4" Lg hex bolts
- (6) 5/16-18" x 1 3/4" Lg carriage bolts
- (6) 5/16" ID x 9/16" OD x 0.093" thick lock washer
- (10) 1/4-20" x 7/16" W.A.C. hex steel plated nut

Running Clearance Range:

1"-1 1/2" (LOW and STD)

Running Clearance + Car Sill (Range):

3 1/4" - 3 13/16" (STD)

Clutch Assemblies

CLU17-0002L/R



Clutch, CW-2 Cable, Without Roller Arm & Cam
List Price: \$415.00

CLU17-0006L/R



Clutch, CW-2 Cable, With Sheave Mounting Plate, Roller Arm Assembly, & Cam
List Price: \$492.00

CLU17-0010L/R



Clutch, CW-2 Cable, With 12" Plate, Roller Arm Assembly, & Cam
List Price: \$492.00

CLU17-0014L/R



Clutch, CW-2 Cable, With "2 1/2" Plate, Roller Arm Assembly, & Cam
List Price: \$492.00

CLU17-0018L/R



Clutch, CW-2 Cable, With "1" Plate, Roller Arm Assembly, & Cam
List Price: \$492.00

DOOR EQUIPMENT

Cable Actuated Clutch Assemblies

Conventional

CW-2-LOW

Mounting Hardware Included:

- (6) 1/16" & (9) 1/8" spacers
- (6) 5/16-18" x 1 1/4" Lg hex bolts
- (6) 5/16-18" x 1 3/4" Lg carriage bolts
- (6) 5/16" ID x 9/16" OD x 0.093" thick lock washer
- (10) 1/4-20" x 7/16" W.A.C. hex steel plated nut

Running Clearance Range:

1"-1 1/2" (LOW and STD)

Running Clearance + Car Sill (Range):

2 11/16" - 3 3/16" (LOW)

Clutch Assemblies

CLU17-0004L/R



Clutch, CW-2-LOW Cable, Without Roller Arm & Cam
List Price: \$446.00

CLU17-0008L/R



Clutch, CW-2-LOW Cable, With Sheave Mounting Plate, Roller Arm Assembly, & Cam
List Price: \$523.00

CLU17-0012L/R



Clutch, CW-2-LOW Cable, With 12" Door Plate, Roller Arm Assembly, & Cam
List Price: \$523.00

CLU17-0016L/R



Clutch, CW-2-LOW Cable, With "2 1/2C" Plate, Roller Arm Assembly, & Cam
List Price: \$523.00

CLU17-0020L/R



Clutch, CW-2-LOW Cable, With "1C" Plate, Roller Arm Assembly, & Cam
List Price: \$523.00

DOOR EQUIPMENT

Cable Actuated Clutch Assemblies

Conventional

CWZ-2

Mounting Hardware Included:

- (6) 1/16" & (3) 1/8" spacers
- (6) 5/16-18" x 1 3/4" Lg hex bolts
- (6) 5/16-18" x 1 3/4" Lg carriage bolts
- (6) 5/16" ID x 9/16" OD x 0.093" thick lock washer
- (10) 1/4-20" x 7/16" W.A.C. hex steel plated nut

Running Clearance Range:

1"-1 1/2" (LOW and STD)

Running Clearance + Car Sill (Range):

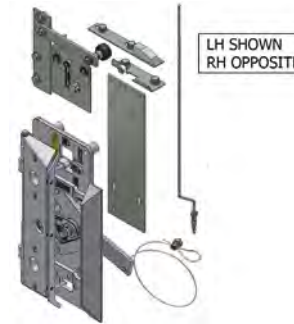
3 1/4" - 3 13/16" (STD)

CLU16-0001L/R*



Clutch, CWZ-2 Cable, With Roller Arm Assembly, Zone Lock, & Cams
List Price: \$817.00

CLU16-0003L/R*



Clutch, CWZ-2 Cable, With Door Mounting Plate, Roller Arm Assembly, Zone Lock, & Cams
List Price: \$817.00

CWZ-2-LOW

Mounting Hardware Included:

- (6) 1/16" & (9) 1/8" spacers
- (6) 5/16-18" x 1 1/4" Lg hex bolts
- (6) 5/16-18" x 1 3/4" Lg carriage bolts
- (6) 5/16" ID x 9/16" OD x 0.093" thick lock washer
- (10) 1/4-20" x 7/16" W.A.C. hex steel plated nut

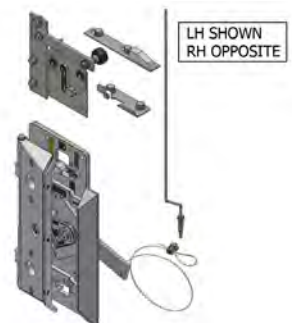
Running Clearance Range:

1"-1 1/2" (LOW and STD)

Running Clearance + Car Sill (Range):

2 11/16" - 3 3/16" (LOW)

CLU16-0002L/R*



Clutch, CWZ-2-LOW Cable, With Roller Arm Assembly, Zone Lock, & Cams
List Price: \$847.00

CLU16-0004L/R*



Clutch, CWZ-2-LOW Cable, With Door Mounting Plate, Roller Arm Assembly, Zone Lock, & Cams
List Price: \$847.00

Clutch Assemblies

DOOR EQUIPMENT

Cable Actuated Clutch Assemblies

Conventional

C-2

Mounting Hardware Included:

- (6) 1/16" & (3) 1/8" spacers
- (6) 5/16-18" x 1 3/4" Lg hex bolts
- (6) 5/16-18" x 1 3/4" Lg carriage bolts
- (6) 5/16" ID x 9/16" OD x 0.093" thick lock washer
- (10) 1/4-20" x 7/16" W.A.C. hex steel plated nut

Running Clearance Range:

1"-1 1/2" (LOW and STD)

Running Clearance + Car Sill (Range):

3 1/4" - 3 13/16" (STD)

Clutch Assemblies

CLU17-0001L/R



Clutch, C-2 Cable, Without Roller Arm & Cam
List Price: \$415.00

CLU17-0005L/R



Clutch, C-2 Cable, With Sheave Mounting Plate, Roller Arm Assembly, & Cam
List Price: \$492.00

CLU17-0009L/R



Clutch, C-2 Cable, With 12" Plate, Roller Arm Assembly, & Cam
List Price: \$492.00

CLU17-0013L/R



Clutch, C-2 Cable, With "2 1/2C" Plate, Roller Arm Assembly, & Cam
List Price: \$492.00

CLU17-0017L/R



Clutch, C-2 Cable, With "1C" Plate, Roller Arm Assembly, & Cam
List Price: \$492.00

DOOR EQUIPMENT

Cable Actuated Clutch Assemblies

Conventional

C-2-LOW

Mounting Hardware Included:

- (6) 1/16" & (9) 1/8" spacers
- (6) 5/16-18" x 1 1/4" Lg hex bolts
- (6) 5/16-18" x 1 3/4" Lg carriage bolts
- (6) 5/16" ID x 9/16" OD x 0.093" thick lock washer
- (10) 1/4-20" x 7/16" W.A.C. hex steel plated nut

Running Clearance Range:

1"-1 1/2" (LOW and STD)

Running Clearance + Car Sill (Range):

2 11/16" - 3 3/16" (LOW)

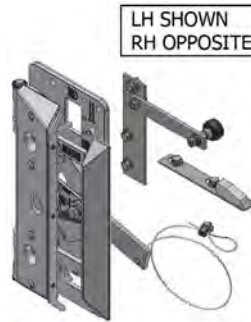
CLU17-0003L/R



LH SHOWN
RH OPPOSITE

Clutch, C-2-LOW Cable, Without Roller Arm & Cam
List Price: \$446.00

CLU17-0007L/R



LH SHOWN
RH OPPOSITE

Clutch, C-2-LOW Cable, With Sheave Mounting Plate, Roller Arm Assembly, & Cam
List Price: \$523.00

CLU17-0011L/R



LH SHOWN
RH OPPOSITE

Clutch, C-2-LOW Cable, With 12" Plate, Roller Arm Assembly, & Cam
List Price: \$523.00

CLU17-0015L/R



LH SHOWN
RH OPPOSITE

Clutch, C-2-LOW Cable, "2 1/2C" Plate, Roller Arm Assembly, & Cam
List Price: \$523.00

CLU17-0019L/R



LH SHOWN
RH OPPOSITE

Clutch, C-2-LOW Cable, "1C" Plate, Roller Arm Assembly, & Cam
List Price: \$523.00

Clutch Accessory

Conventional

Reinforcement Plate



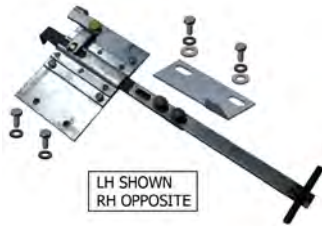
Part No.	Description	List Price
CLU3-0358N	Plate, Standard Clutch Reinforcement W/Studs, With (6) 5/16-18 x 1 1/2" Lg Self-Clinching Zinc Studs	\$43.00

DOOR EQUIPMENT

Clutch Parts

LWZ-1 Car Zone Locking Assemblies

Type "A" Hanger (Conventional)



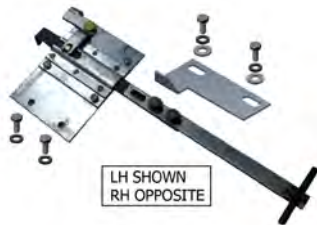
Mounting Plate Size:

5 1/8" (S/S: 22"-48" D.O. | 2/SP: 24"-72" D.O. | C/P: 30-83" D.O. | 2SP/CP: 60"-83" D.O.)
 4 1/4" (C/P: 24"-29" D.O. | 2SP/CP: 32"-59" D.O.)

Connecting Link Rod Size: 2 1/2" x 1/4"

Part No.	Link Size	S/S	2/SP	3/SP	C/P	2SP/CP	List Price
CLU3-0254L/R	3 15/16"	22"-29"			30"-39"		\$108.00
CLU3-0255L/R	3 15/16"				24"-29"	32"-39"	\$108.00
CLU3-0256L/R	7 15/16"					40"-49"	\$108.00
CLU3-0257L/R	7 15/16"	30"-39"	30"-39"		40"-49"		\$108.00
CLU3-0258L/R	11 15/16"					50"-59"	\$108.00
CLU3-0259L/R	11 15/16"	40"-44"	24"-29" 40"-44"		50"-59"		\$108.00
CLU3-0260L/R	15 15/16"	45"-48"	45"-52"		60"-83"	60"-79"	\$108.00
CLU3-0261L/R	19 15/16"		53"-60"			80"-83"	\$108.00
CLU3-0262L/R	23 15/16"		61"-68"				\$108.00
CLU3-0263L/R	27 15/16"		69"-72"				\$108.00
CLU3-0314L/R	15 15/16"			30"-54"			\$108.00
CLU3-0315L/R	19 15/16"			55"-64"			\$108.00
CLU3-0316L/R	23 15/16"			65"-69"			\$108.00

With Replacement Cam



Mounting Plate Size:

5 1/8" (C/P: 30"-83" D.O. and 2SP/CP: 60"-83" D.O.)
 4 1/4" (C/P: 24"-29" D.O. and 2SP/CP: 32"-59" D.O.)

Connecting Link Rod Size:

2 1/2" x 1/4" (S/S, 2/SP, C/P, and 2SP/CP)
 5 1/2" x 1/4" (3/SP)

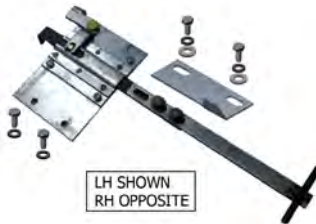
Part No.	Link Size	S/S	2/SP	3/SP	C/P	2SP/CP	List Price
CLU3-0285L/R	3 15/16"	22"-29"					\$108.00
CLU3-0286L/R	7 15/16"	30"-39"	30"-39"				\$108.00
CLU3-0287L/R	11 15/16"	40"-44"	40"-44"				\$108.00
CLU3-0288L/R	15 15/16"			30"-54"			\$108.00
CLU3-0289L/R	15 15/16"	45"-48"	45"-52"				\$108.00
CLU3-0290L/R	19 15/16"			55"-64"			\$108.00
CLU3-0291L/R	19 15/16"		53"-60"				\$108.00
CLU3-0292L/R	23 15/16"			65"-69"			\$108.00
CLU3-0293L/R	23 15/16"		61"-68"				\$108.00
CLU3-0294L/R	27 15/16"		69"-72"				\$108.00
CLU3-0295L	3 15/16"				24"-29"	32"-39"	\$108.00
CLU3-0296L	3 15/16"				30"-39"		\$108.00
CLU3-0297L	7 15/16"				40"-49"		\$108.00
CLU3-0298L	7 15/16"					40"-49"	\$108.00
CLU3-0299L	11 15/16"					50"-59"	\$108.00
CLU3-0300L	11 15/16"				50"-59"		\$108.00
CLU3-0301L	15 15/16"				60"-83"	60"-79"	\$108.00
CLU3-0302L	19 15/16"					80"-83"	\$108.00

DOOR EQUIPMENT

Clutch Parts

LWZ-1 Car Zone Locking Assemblies

Type "A" Hanger (Vandal Resistant)



Mounting Plate Size:

5 1/8" (2/SP: 24"-32" & 49"-72" D.O., and CP: 30"-53" D.O.)
 7" (2/SP: 33"-48" D.O.)

Connecting Link Rod Size:

2 1/2" x 1/4" (2/SP: 24"-29" & 33"-72" D.O. | C/P: 30"-53" D.O.)
 5 1/2" x 1/4" (2/SP: 30"-32" D.O.)

Part No.	Link Size	S/S	2/SP	C/P	List Price
CLU3-0254L/R	3 15/16"			30"-39"	\$108.00
CLU3-0257L/R	7 15/16"			40"-49"	\$108.00
CLU3-0259L/R	11 15/16"		24"-29"	50"-53"	\$108.00
CLU3-0260L/R	15 15/16"		49"-52"		\$108.00
CLU3-0261L/R	19 15/16"		53"-60"		\$108.00
CLU3-0262L/R	23 15/16"		61"-68"		\$108.00
CLU3-0263L/R	27 15/16"		69"-72"		\$108.00
CLU3-0320L/R	3 15/16"	24"-29"			\$108.00
CLU3-0321L/R	7 15/16"	30"-39"			\$108.00
CLU3-0322L/R	7 15/16"		30"-32"		\$108.00
CLU3-0323L/R	7 15/16"		33"-39"		\$108.00
CLU3-0324L/R	11 15/16"		40"-44"		\$108.00
CLU3-0325L/R	15 15/16"		45"-48"		\$108.00
CLU3-0360L/R	11 15/16"	40"-42"			\$108.00

Glass Doors (Special)



Part No.	Description	List Price
CLU3-0399L/R	Locking Assembly, LWZ-1 Clutch 4 1/4". Used In LWZ-1 (7" Center Line-Glass Calif.), LWZ-1 (7" Center Line-Glass)	\$167.00
CLU3-0400L/R	Locking Assembly, LWZ-1 Clutch 5 1/8". Used In LWZ-1 (7" Center Line-Glass Calif.), LWZ-1 (7" Center Line-Glass)	\$167.00

LWZ-1 Clutch Lower Connecting Link

Car Zone Locking Parts

Conventional/Vandal Resistant

Connecting Link Rod Size:

2 1/2" x 1/4" (S/S, 2/SP, C/P, & 2SP/CP)
 5 1/2" x 1/4" (3/SP)



Part No.	Link Size	S/S	2/SP	3/SP	C/P	2SP/CP	List Price
CLU3-0336N	3 15/16"	22"-29"			24"-39"	32"-39"	\$18.60
CLU3-0337N	7 15/16"		30"-39"		40"-49"	40"-49"	\$18.60
CLU3-0338N	11 15/16"	40"-44"	24"-29" 40"-44"		50"-59"	50"-59"	\$18.60
CLU3-0339N	15 15/16"	45"-48"	45"-52"		60"-83"	60"-79"	\$18.60
CLU3-0340N	19 15/16"		53"-60"			80"-83"	\$18.60
CLU3-0341N	23 15/16"		61"-68"				\$18.60
CLU3-0342N	27 15/16"		69"-72"				\$18.60
CLU3-0343N	7 15/16"		30"-32"				\$18.60
CLU3-0344N	15 15/16"			30"-54"			\$18.60
CLU3-0345N	19 15/16"			55"-64"			\$18.60
CLU3-0346N	23 15/16"			65"-69"			\$18.60

DOOR EQUIPMENT

Clutch Parts

LWZ-1 Clutch Series - Parts

Locking Bar Guides (Conventional)

CLU3-0326L/R



Guide, LWZ-1 Clutch Locking Bar, S/S 22-48 D.O. 2/SP 24-72 D.O. 3/SP 30-69 D.O. C/P 30-83 D.O. 2SP/CP 60-83 D.O.
 Guide Plate Size: 5 1/8"
 List Price: \$47.00

CLU3-0327L/R



Guide, LWZ-1 Clutch Locking Bar, C/P 24-29 D.O. 2SP/CP 32-59 D.O.
 Guide Plate Size: 4 1/4"
 List Price: \$47.00

CLU3-0328L/R



Guide, LWZ-1 Clutch "C" Hanger Locking Bar, S/S 22-48 D.O. 2/SP 30-72 D.O. 3/SP 30-69 D.O. C/P 30-33 D.O. 2SP/CP 32-72 D.O.
 Guide Plate Size: 3 1/4"
 List Price: \$47.00

Locking Bar Guides (Vandal Resistant)

CLU3-0329L/R



Description
 Guide, LWZ-1 Clutch Locking Bar, S/S 24-42 D.O.
 Guide Plate Size: 3 1/4"
 List Price: \$47.00

CLU3-0330L/R



Description
 Guide, LWZ-1 Clutch Locking Bar, 2/SP 33-48 D.O.
 Guide Plate Size: 7"
 List Price: \$47.00

Locking Bar Guides (Special)

CLU3-0397L/R



Description
 Guide, LWZ-1 Clutch 4 1/4" Locking Bar. Used In LWZ-1 (7" Center Line-Glass Calif.), LWZ-1 (7" Center Line-Glass)
 List Price: \$93.00

CLU3-0398L/R



Description
 Guide, LWZ-1 Clutch 5 1/8" Locking Bar. Used In LWZ-1 (7" Center Line-Glass Calif.), LWZ-1 (7" Center Line-Glass)
 List Price: \$93.00

Clutch Parts

DOOR EQUIPMENT

Clutch Parts

LWZ-1 Clutch Series - Parts

Arms

CLU3-0354N



Arm, Sensing Bar Pivot, With (2) HWBS-0003N
Where Used: CWZ-R, LWZ-1, LWZ-1-LOW, LWZ-1-LRC
List Price: \$37.00

CLU3-0355L/R



Arm, Retractable Roller Assembly
Where Used: LWZ-1, LWZ-1-LOW, LWZ-1-LRC
List Price: \$62.00

CLU5-0006L/R



Arm, Retractable Roller Assembly
Where Used: CWZ-R
List Price: \$62.00

Clutch Parts

Bars

CLU3-0335N



Bar, Type "LWZ-1" Clutch Locking Assembly
Where Used: LWZ-1, LWZ-1-LOW, LWZ-1-LRC
List Price: \$24.80

CLU3-0350N



Bar, LWZ-1-LOW Clutch 1 3/4" Sill Sensing, 23" Long
Where Used: LWZ-1-HA-LOW, LWZ-1-HA-LRC, LWZ-1-LOW, LWZ-1-LRC
List Price: \$62.00

CLU3-0351N



Bar, LWZ-1 Clutch 2 1/4" Sill Sensing, 25" Long
Where Used: CWZ-R, LWZ-1, LWZ-1-HA
List Price: \$62.00

CLU3-0352L/R



Bar, 5" Clutch Link Sensing, 1 3/4" & 2 1/4" Car Sill 27 1/2" Long
Where Used: LWZ-1, LWZ-1-HA, LWZ-1-HA-LOW, LWZ-1-HA-LRC, LWZ-1-LOW, LWZ-1-LRC
List Price: \$62.00

CLU3-0394N



Bar, 5 1/2" Lg. Type "LWZ-1" Clutch Locking Assembly
Where Used: LWZ-1 (7" Center Line-Glass Calif.), LWZ-1 (7" Center Line-Glass)
List Price: \$31.00

DOOR EQUIPMENT

Clutch Parts

LWZ-1 Clutch Series - Parts

Clutch Parts

Cams



Part No: CLU1-0038N: Cam, L & LW Clutch Actuating (*Discontinued*)

CLU3-0353L/R: Cam, LWZ-1-LRC Actuating (*Discontinued*)

Note:

The following cams (Part No. CLU1-0038N & CLU3-0353L/R) are no longer available. There is no replacement for these 2 parts. A new LWZ-2, LW-2, or L-2 series clutch must be purchased. See clutch assemblies section for these replacements.

CLU3-0331L/R



Cam, 3 3/4" Lg. LWZ-1 Standard Locking Assembly
Where Used: LWZ-1, LWZ-1-LOW, LWZ-1-LRC
List Price: \$18.60

CLU3-0333L/R



Cam, 4 1/4" Lg. LWZ-1 Replacement Locking, For S/S & 2/SP Jobs Prior To June 1994
Where Used: LWZ-1, LWZ-1-LOW, LWZ-1-LRC
List Price: \$18.60

CLU3-0334L



Cam, 3 3/4" Lg. LWZ-1 Replacement Locking, For C/P & 2/SP/ C/P Jobs Prior To June 1994
Where Used: LWZ-1, LWZ-1-LOW, LWZ-1-LRC
List Price: \$18.60

Links

CLU3-0395N



Link, 2 3/8" Long. Type "LWZ-1" Clutch, 2 5/16" x 2 1/2" x 1/4" Rod
Where Used: LWZ-1 (7" Center Line-Glass)
List Price: \$24.80

CLU3-0396N



Link, Type "LWZ-1" Clutch Retracting
Where Used: LWZ-1 (7" Center Line-Glass)
List Price: \$24.80

PMDG-0144N



Link, Type "LWZ-1" Retracting
Where Used: LWZ-1, LWZ-1-LOW, LWZ-1-LRC
List Price: \$18.60

DOOR EQUIPMENT

Clutch Parts

LWZ-1 Clutch Series - Parts

Miscellaneous Parts

CLU3-0361N



Channel, Sensing Bar Retractable
 Where Used: CWZ-R, LWZ-1, LWZ-1-HA, LWZ-1-HA-LOW, LWZ-1-HA-LRC, LWZ-1-LOW, LWZ-1-LRC
 List Price: \$18.60

CLU3-0373N



Shaft, 7/16 Dia. x 18 3/8, LWZ-1 Clutch Hinge,
 Includes (1) CLU3-0370N & (4) HWBS-0003N
 Where Used: CWZ-R, LWZ-1, LWZ-1-LOW, LWZ-1-LRC
 List Price: \$18.60

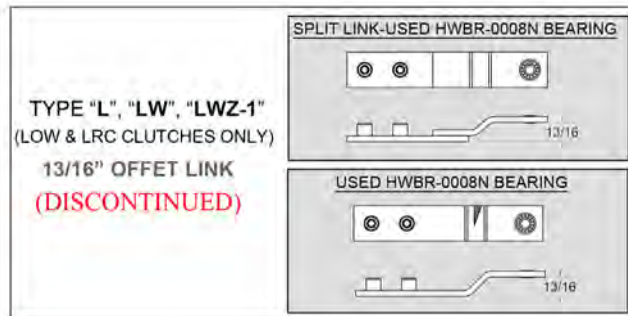
CLU3-0422N



Spacer, LWZ-1 Guide Mounting Plate, 2 3/4" x 3 1/2" x 11 Ga.
 Where Used: LWZ-1, LWZ-1-LOW, LWZ-1-LRC
 List Price: \$9.40

Clutch Parts

L-1, LW-1, LWZ-1 Clutch Series - Links



Part No.	Link Size	"C" DIM	S/S	2/SP	3/SP	C/P	List Price
CLU1-0040N	5"	1 1/2"	24"-26"		24"-33"	32"-49"	\$24.80
CLU1-0041N	6"	1 1/2"	27"-34"		34"-49"	50"-59"	\$24.80
CLU1-0042N	7"	1 1/2"			60"-67"	60"-67"	\$24.80
CLU1-0043N	8"	1 1/2"	35"-39"		50"-59"	68"-74"	\$24.80
CLU1-0066N	9"	1 1/2"			75"-79"	75"-79"	\$24.80
CLU1-0044N	10"	1 1/2"	40"-44"			80"-83"	\$24.80
CLU1-0067N	11"	1 1/2"		50"-54"			\$24.80
CLU1-0045N	12"	1 1/2"	45"-56"				\$24.80
CLU1-0046N	14"	1 1/2"	57"-64"				\$24.80
CLU1-0047N	16"	1 1/2"	65"-72"				\$24.80

DOOR EQUIPMENT

Clutch Parts

LWZ-2 Car Zone Locking Assemblies

CLU9-0115L/R



L.H. SHOWN
R.H. OPPOSITE

Locking Assembly, LWZ-2 Clutch 36" Rod Lg.
Where Used: LWZ-2, LWZ-2-HA, LWZ-2-HA-LOW, LWZ-2-HA-LRC LOW, LWZ-2-HA-LRC STD, LWZ-2-LOW, LWZ-2-LRC LOW, LWZ-2-LRC STD
List Price: \$108.00

CLU12-0116L/R



L.H. SHOWN
R.H. OPPOSITE

Locking Assembly, LWZ-2-W Clutch 36" Lg. Rod, Yellow Zinc Dichromate
Where Used: LWZ-2-LOW-W, LWZ-2-W
List Price: \$216.00

Clutch Parts

LWZ-2 Clutch Series - Parts

Miscellaneous Parts

CLU9-0049L/R



LH SHOWN
RH OPPOSITE

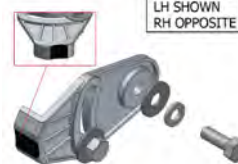
Cam, LWZ-2 Standard Locking,
Includes Hardware
Where Used: LWZ-2, LWZ-2-LOW
List Price: \$18.60

CLU9-0111N



Cam, LW-2 & LWZ-2 Clutch Actuating,
LW2-LOW & LWZ-2-LOW
Where Used: LWZ-2
List Price: \$9.40

CLU9-0238L/R



LH SHOWN
RH OPPOSITE

Cam, LW-2-LRC/LWZ-2-LRC Clutch Actuating
Where Used: LW-2-LRC LOW, LW-2-LRC STD, LWZ-2-LRC LOW, LWZ-2-LRC STD
List Price: \$9.40

CLU9-0101L/R



LH SHOWN
RH OPPOSITE

Guide, LWZ-2 Clutch Locking
Where Used: LWZ-2, LWZ-2-LOW
List Price: \$47.00

CLU9-0108N



Rod, 36" Lg. LWZ-2 Clutch Zone Locking
Where Used: LWZ-2, LWZ-2-LOW
List Price: \$24.80

CLU12-0034N



Rod, 36" LWZ-2 Clutch Zone Locking, Water Resistant
Where Used: LWZ-2-W
List Price: \$50.00

CLU9-0260N*



Rod, Special _____" LWZ-2 Zone Locking
List Price: \$31.00

CLU12-0020N



Shaft, 7/16" x 11 7/8" LWZ-2 Open Vane-WP
Where Used: LWZ-2
List Price: \$12.40

DOOR EQUIPMENT

Clutch Parts

LWZ-2 Clutch Series - Parts

Miscellaneous Parts

CLU12-0115N



Sensing Bar & Pivot, LWZ-2-W Zone Lock, With (2) 1 9/32" Long Pins, Yellow Zinc Dichromated
Where Used: LWZ-2-W
List Price: \$124.00

CLU9-0255N



Sensing Bar & Pivot, LWZ-2 Zone Lock, With (2) 1 9/32" Long Pins
Where Used: LWZ-2 Series
List Price: \$77.00

CLU9-0117N



Discontinued
Used For Jobs Before 08-01-2006. Need To Replace Sensing Bar With CLU9-0255N At The Same Time (Or CLU9-0257L/R Door Open Vane Assembly)
Replaced By CLU9-0256N
DISCONTINUED

CLU9-0256N



Arm, LWZ-2 Retracting Assembly, Replacement For Jobs After 07-31-2006
Where Used: LWZ-2 Series
List Price: \$62.00

Clutch Parts

L-2, LW-2, LWZ-2 Clutch Series - Links



Part No.	Link Size	"C" DIM	S/S	2/SP	3/SP	C/P	2SP/CP	List Price
CLU9-0083N	5 1/4"	1 1/4"		24"-26"	30"-34"	24"-33"	32"-49"	\$24.80
CLU9-0084N	6"	1 1/4"	30"-34"	27"-34"	35"-39"	34"-49"	50"-59"	\$24.80
CLU9-0085N	7"	1 1/4"				60"-67"	60"-67"	\$24.80
CLU9-0086N	8"	1 1/4"	35"-39"	35"-39"	40"-44"	50"-59"	68"-74"	\$24.80
CLU9-0087N	9"	1 1/4"			45"-49"	75"-79"	75"-79"	\$24.80
CLU9-0088N	10"	1 1/2"	22"-29"	40"-44"		80"-83"	80"-83"	\$24.80
CLU9-0089N	11"	1 1/2"			50"-54"			\$24.80
CLU9-0090N	12"	1 1/2"	45"-48"	45"-56"	55"-59"			\$24.80
CLU9-0091N	14"	1 1/2"		57"-64"	60"-64"			\$24.80
CLU9-0092N	16"	1 1/2"		65"-72"	65"-69"			\$24.80

Low/LRC Clutches



Part No.	Link Size	"C" DIM	S/S	2/SP	3/SP	C/P	2SP/CP	List Price
CLU9-0063N	5 1/4"	1 1/4"		24"-26"	30"-34"	24"-33"	32"-49"	\$47.00
CLU9-0064N	6"	1 1/4"	30"-34"	27"-34"	35"-39"	34"-49"	50"-59"	\$47.00
CLU9-0065N	7"	1 1/4"				60"-67"	60"-67"	\$47.00
CLU9-0066N	8"	1 1/4"	35"-39"	35"-39"	40"-44"	50"-59"	68"-74"	\$47.00
CLU9-0067N	9"	1 1/4"			45"-49"	75"-79"	75"-79"	\$47.00
CLU9-0068N	10"	1 1/2"	22"-29"	40"-44"		80"-83"	80"-83"	\$47.00
CLU9-0069N	11"	1 1/2"			50"-54"			\$47.00
CLU9-0070N	12"	1 1/2"	45"-48"	45"-56"	55"-59"			\$47.00
CLU9-0071N	14"	1 1/2"		57"-64"				\$47.00
CLU9-0072N	16"	N/A		65"-72"	65"-69"			\$47.00

DOOR EQUIPMENT

Clutch Parts

C-2, CW-2, CWZ-2 Clutch Series - Parts

Activation Plates & Roller Assemblies

CLU16-0016L/R



LH SHOWN
RH OPPOSITE

Linkage, CWZ-2 Clutch Activation
Where Used: CW-2, CWZ-2
List Price: \$116.00

CLU16-0025L/R



LH SHOWN
RH OPPOSITE

Linkage, CW-2/CWZ-2 Clutch Activation, Without Cam Assembly
Where Used: CW-2, CWZ-2
List Price: \$47.00

CLU16-0031L/R



LH SHOWN
RH OPPOSITE

Linkage, CWZ-2-RND Clutch Activation, For Round Doors
Where Used: CWZ-2-RND
List Price: \$116.00

CLU4-0017N



12" Plate And Roller Assembly
Where Used: C, C-LOW, CW, CW-LOW
List Price: \$44.00

CLU4-0018N



"2-1/2" Plate And Roller Assembly
Where Used: C, C-LOW, CW, CW-LOW
List Price: \$59.00

CLU4-0019N



"1C" Plate And Roller Assembly
Where Used: C, C-LOW, CW, CW-LOW
List Price: \$59.00

Cams & Cables

CLU16-0032L/R



LH SHOWN
RH OPPOSITE

Cam Assembly, CWZ-2 Clutch Cable Locking
Where Used: CWZ-2 Series
List Price: \$77.00

CLU16-0019L/R



LH SHOWN
RH OPPOSITE

Cam, C-2/CW-2/CWZ-2 Clutch Cable Locking
Where Used: CW-2, CWZ-2
List Price: \$58.40

CLU5-0003L/R



LH SHOWN
RH OPPOSITE

Cam, Type "CWZ" Clutch Assembly Locking
Where Used: CWZ-R
List Price: \$77.00

BCST-0045N



Cam, "C/CW/C-2/CW-2" Cable Clutch
Where Used: C, C-LOW, CW, CW-LOW
List Price: \$18.60

Clutch Parts

DOOR EQUIPMENT

Clutch Parts

C-2, CW-2, CWZ-2 Clutch Series - Parts

Cams & Cables

CLU4-0023N



Cable & Cam, Type "C & CW" Clutch, (1/16" Air Craft Cable w/ Clear Nylon Coating)
Where Used: C, CW
List Price: \$24.80

CLU4-0024N



Cable & Cam, Type "C-LOW & CW-LOW" Clutch, (1/16" Air Craft Cable w/ Clear Nylon Coating)
Where Used: C-LOW, CW-LOW
List Price: \$31.00

CLU4-0025N



Cable, Type "C/CW/CW-2/CWZ-2" Clutch, 32" Long (1/16" Air Craft Cable w/ Clear Nylon Coating)
Where Used: C, C-LOW, CW, CW-2, CW-LOW, CWZ-2
List Price: \$12.40

HDW-0188N



Cable, 1/16" Air Craft Cable w/ Clear Nylon Coating
Where Used: C, CW, CW-2, CWZ, CWZ-2
List Price: \$0.80 per foot

Clutch Parts

Miscellaneous Parts

CLU4-0021N



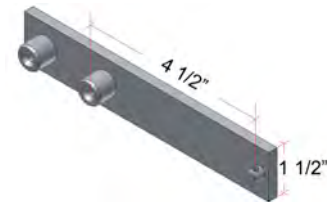
Eccentric, Type "C & CW" Clutch Stop
Where Used: C, C-LOW, CW, CW-LOW
List Price: \$1.60

CLU10-0003N



Angle, Round Door Locking Cam Mounting
Where Used: CWZ-R
List Price: \$23.20

CLU16-0013N



Link Assembly, CW-2/CWZ-2 Clutch
Where Used: CW-2, CWZ-2
List Price: \$24.80

CLU3-0370N



Spacers Bushings, LWZ-1, (2) Bushings & (2) Retaining Rings
Where Used: CWZ-R
List Price: \$9.40

CLU5-0004N



Locking Bar, Type "CWZ" Clutch
Where Used: CWZ-R
List Price: \$31.00

CLU10-0002L/R*



Locking Assembly, RND Door Type "CWZ-R"
Where Used: CWZ-R
List Price: \$308.00

DOOR EQUIPMENT

Clutch Parts

Clutch Vanes

Door Open Vanes

Clutch Parts

CLU1-0033N



Vane, Open Clutch
Where Used: LW, L, LW-HA
List Price: \$41.00

CLU3-0347L/R



LH SHOWN
RH OPPOSITE

Vane, LWZ-1 Door Open
Where Used: CWZ-R, LWZ-2
List Price: \$41.00

CLU1-0055N



USED FOR 1 3/4" CAR SILL
W/ 1/4" BUMPER

Vane, Open LOW Clutch
Where Used: LW-LOW, L-LOW, LW-
HA-LOW, LW-LRC, LW-HA-LRC
List Price: \$41.00

CLU11-0081N



FRONT
VIEW

Vane, LW-2 Door Open
Where Used: LW-2
List Price: \$62.00

CLU14-0021N



Vane, LWP-2 Clutch Open
Where Used: LWP-2
List Price: \$108.00

CLU3-0375L/R



FRONT VIEW

LH SHOWN
RH OPPOSITE

Vane, "LWZ-1-HA-LRC" Clutch Door
Open
Where Used: LWZ-1-HA-LRC
List Price: \$53.00

CLU3-0348L/R



FRONT VIEW

LH SHOWN
RH OPPOSITE

Vane, LWZ-1 LOW Door Open
Where Used: LWZ-1-LOW
List Price: \$41.00

CLU3-0359L/R

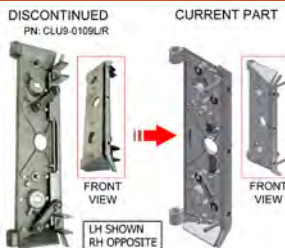


FRONT VIEW

LH SHOWN
RH OPPOSITE

Vane, LWZ-1-LRC Door Open
Where Used: LWZ-1-LRC
List Price: \$50.00

CLU9-0257L/R



DISCONTINUED
PN: CLU9-0109L/R

CURRENT PART

LH SHOWN
RH OPPOSITE

Vane, LWZ-2 Door Open Assembly
(Replaced Part No. CLU9-0109L/R
As Of July 2006)
Where Used: LWZ-2 Series
List Price: \$118.00

CLU8-0002N



Vane, Type "S" Clutch
Where Used: S
List Price: \$74.00

DOOR EQUIPMENT

Clutch Parts

Clutch Vanes

Door Close Vanes

Discontinued



CLU4-0026N

CLU3-0371N
CLU3-0372N

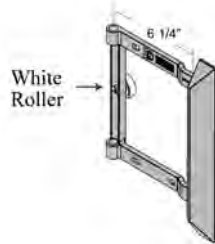
The following vanes are no longer available from G.A.L. If needed, a new current style clutch must be ordered.

Specify the following information to do so:

- Type of clutch
- Hand
- Type of doors
- If "LOW" or "LRC" clutch is required
- Door opening width

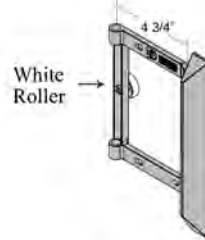
Clutch Series Affected: CW, CW-LOW, CWZ-R, LW, LW-HA, LW-HA-LOW, LW-LOW, LWZ-1, LWZ-1-LOW, LW-LRC, LWZ-1-LRC

CLU9-0116N



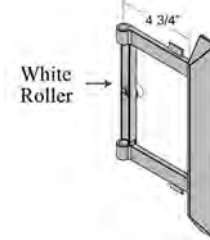
Vane, LWZ-2 & LW-2 Clutch Door Close With White 1 1/4" Dia. Roller (6 1/4" Width)
Where Used: LW-2, LWZ-2 Series
List Price: \$41.00

CLU15-0021N



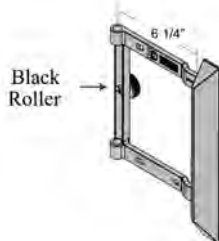
Vane, L-2 & L-2 LOW Clutch Door Close With White 1 1/4" Dia. Roller (4 3/4" Width)
Where Used: L-2, L-2 LOW
List Price: \$118.00

CLU1-0035N



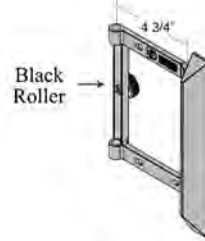
Vane, L & L-LOW Clutch Door Close With White 1 5/16" Dia. Roller (4 3/4" Width)
Where Used: L, L-LOW
List Price: \$41.00

CLU16-0023N



Vane, CW-2 & CWZ-2 Clutch Door Close With Black 1 5/16" Dia. Roller (6 1/4" Width)
Where Used: CW-2, CWZ-2 Series
List Price: \$41.00

CLU16-0024N



Vane C-2 & C-2 LOW Clutch Door Close With Black 1 5/16" Dia. Roller (4 3/4" Width)
Where Used: C-2, C-2 LOW
List Price: \$118.00

CLU4-0027N



Vane, C & C-LOW Clutch Door Close Without Roller (4 3/4" Width)
Where Used: C, C-LOW
List Price: \$41.00

Clutch Parts

DOOR EQUIPMENT

Clutch Parts

Clutch Vanes

Fixed Vanes

CLU3-0356N



Vane, LWZ-1-HA Clutch Fixed
Where Used: LWZ-1-HA
List Price: \$41.00

CLU3-0374N



Vane, LWZ-1-HA-LRC Clutch Fixed
Where Used: LWZ-1-HA-LRC
List Price: \$41.00

CLU9-0103N



Vane, LWZ-2-HA Clutch Rear Assembly
Where Used: LWZ-2-HA
List Price: \$41.00

Clutch Parts

Clutch Rollers

CLU1-0036N



Roller, 13/16" Dia. LW Clutch
Where Used: LW, LWZ-1, CWZ
List Price: \$7.40

CLU1-0037N



Roller, 15/16" Dia. L & L-LOW Clutch
Where Used: L, L-LOW
List Price: \$7.40

CLU9-0113N



Roller, 1 1/4" Dia. LWZ-2, LW-2 & L-2 White, For Clutch Vane
Where Used: LWZ-2
List Price : \$7.40

CLU16-0033N



Roller, 1 5/16"+ Dia. CW-2 & CWZ-2 Black, For Clutch Vane
Where Used: CW-2 & CWZ-2
List Price : \$12.00

Clutch Springs

SPG-0019N



Spring, 1 5/8" Lg x 3/8" OD -0.037 Wire, .037 Wire- 14 Turns, Open Vane
Where Used: All Clutches
List Price: \$3.20

SPG-0036N



Spring, 1 1/4" Lg x .750 OD -0.063 Wire- 7 1/2 Turns-Music, Close Vane
Where Used: LW-2, LWZ-2, LWZ-2-LOW
List Price : \$3.20

SPG-0081N



Spring, 7/8" Lg x .240 OD -0.024 Wire, .024 Wire-9 Turns-Music, Sensing Bar
Where Used: LWZ-2
List Price: \$3.20

DOOR EQUIPMENT

Clutch Parts

Clutch Hardware

Clutch Parts

CLU1-0050N



Stops, Clutch Vane, 2 1/4" Car Sill
Where Used: C, C-LOW, CW, CW-LOW, CWZ-R, L, LW
List Price: \$6.20

CLU1-0064N



Stops, Clutch Vane LOW, Type "LW-LOW/L-LOW/LW-LRC" (1 3/4" Car Sill)
Where Used: L-LOW
List Price: \$6.20

CLU4-0028N



Stops, Type "C-LOW & CW-LOW" Clutch Vane
Where Used: C-LOW, CW-LOW
List Price: \$9.40

CLU1-0039N



Shaft, 7/16 Dia. x 15, Clutch Hinge
Where Used: C, C-LOW, CW, CW-LOW, L, L-LOW
List Price: \$9.40

CLU1-0051N



Bumper, 1/8", Clutch Vane, 2 1/4" Car Sill
Where Used: C, C-LOW, CW, CW-LOW, CWZ-R, L, LW
List Price: \$3.40

CLU1-0052N



Hardware, Clutch Mounting
Where Used: C, C-LOW, CW, CW-LOW, CWZ-R, L, L-LOW, LW
List Price: \$15.40

CLU1-0053N



Spacer, Clutch 1/8 Thick
Where Used: C, C-LOW, CW, CW-LOW, CWZ-R, L, LW, LW-2
List Price: \$1.40

CLU1-0054N



Spacer, Clutch 1/16 Thick
Where Used: C, C-LOW, CW, CW-LOW, CWZ-R, L, LW, LW-2
List Price: \$1.40

HWBS-0002N



Bushing, Nylon 5/8 Id Type 4, 2955-A Sleeve Type 4
Where Used: L, L-LOW, LW
List Price: \$1.60

GAL

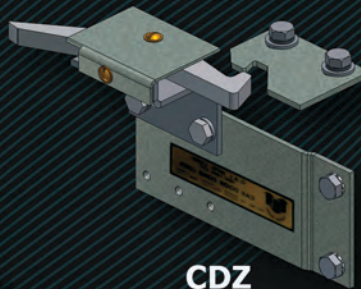
Car Door Zone Locks

**CAR ZONE LOCK
ASSEMBLIES**
292

**CAR ZONE LOCK
PARTS**
293

CAR DOOR ZONE LOCK MODELS

- **CDZ** - Swing Door Car Zone Lock
- **SN-Z** - Sliding Door Car Zone Lock



CDZ



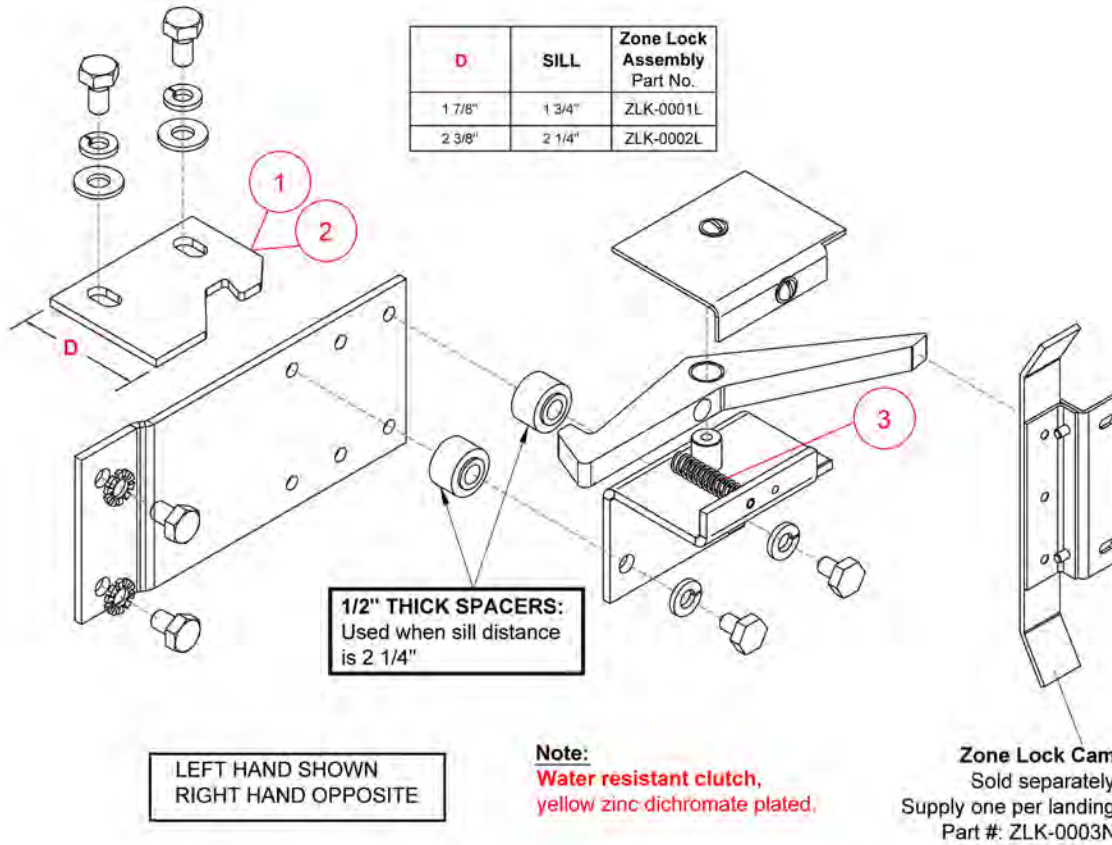
SN-Z

DOOR EQUIPMENT

DOOR EQUIPMENT

Car Zone Lock Isometric Drawing

Type "CDZ" - Swing Door



Car Zone Locks

Part No.	Item No	Description
ZLK-0004N	1	Latch, CDZ Zone Lock 1 3/4" Sill (Page# 293)
ZLK-0005N	2	Latch, CDZ Zone Lock 2 1/4" Sill (Page# 293)

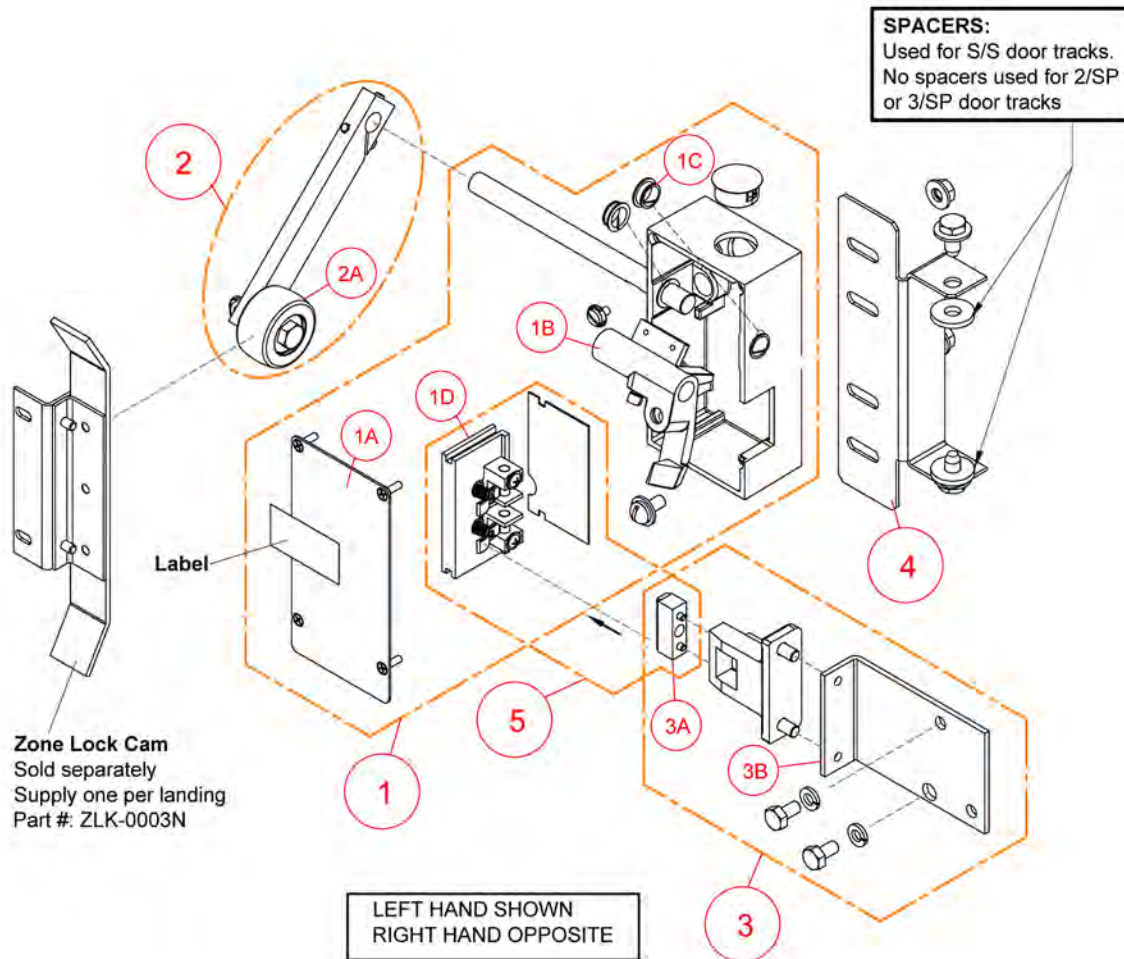
Part No.	Item No	Description
SPG-0024N	3	Spring, 1 1/4 Lg X 3/8 OD (Page# 418)

DOOR EQUIPMENT

Car Zone Lock Isometric Drawing

Type "SN-Z" - Sliding Door

Car Zone Locks



Part No.	Item No	Description
SW21-1000L	1	Switch Assembly, Type "SN-Z" Zone Lock (Page# 292)
SW21-9001N	1A	Cover, SN/SN-Z/SN-C Lock And Contact (Page# 415-Lock & Contact Section)
ZLK1-0004L	1B	Cam Locking, Type "CDZ3"/"SN-Z" Zone Lock (Page# 293)
HWBS-0012N	1C	Bushing, Type 7 Snap In Nyliner 7/16" ID
INT22-0022N	1D	Contact Base, "N/NHA" Interlock Lower (Page# 377-Interlock Section)
INT5-0025N	2	Arm & Roller, 4 1/2" C.L. (Page# 386-Interlock Section)

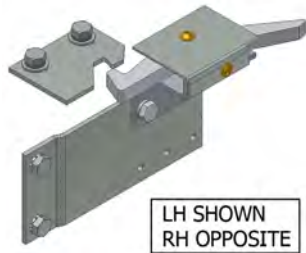
Part No.	Item No	Description
INT5-0027N	2A	Roller & Bolt, Roller Arm (Page# 386-Interlock Section)
SW21-9006L	3	Keeper, SN-Z Zone Lock Car Door (Page# 293)
INT5-0019N	3A	Bridging Contact, M/N Keeper (Page# 276 or 413-Lock & Contact Section)
ZLK1-0006L	3B	Angle, Type "SN-Z" / "CDZ3" Keeper Mounting (Page# 293)
SW21-9005N	4	Bracket, SN-Z Mounting Angle (Page# 293)
INT22-0020N	5	Contact Kit, "N" Interlock Lower (Page# 293 or 375-Interlock Section)

DOOR EQUIPMENT

Car Zone Lock Assemblies

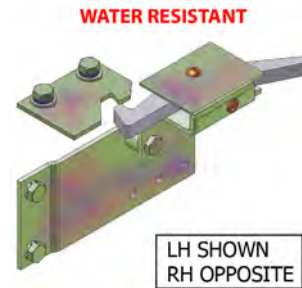
Type "CDZ" - Swing Door

Conventional



LH SHOWN
RH OPPOSITE

Water Resistant



WATER RESISTANT

LH SHOWN
RH OPPOSITE

Part No.	Description	List Price
ZLK-0001L/R	Lock, Type "CDZ" 1 3/4" Sill Zone, For Swing Doors	\$247.00
ZLK-0002L/R	Lock, Type "CDZ" 2 1/4" Sill Zone, For Swing Doors	\$247.00

Part No.	Description	List Price
ZLK-0007L/R	Lock, Type "CDZ" 1 3/4" Sill Zone, For Swing Doors, Water Resistant	\$493.00
ZLK-0008L/R	Lock, Type "CDZ" 2 1/4" Sill Zone, For Swing Doors, Water Resistant	\$493.00

Type "CDZ" and "SN-Z"

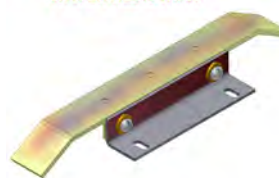
Cams

ZLK-0003N



Description
Cam, Type "CDZ"/"SN-Z" Zone Lock Assembly
Where Used: CDZ
List Price: \$44.00

ZLK-0009N

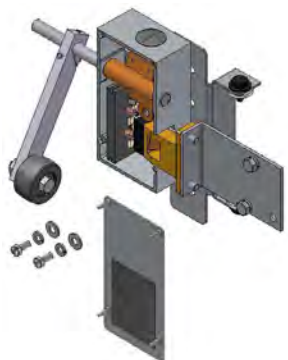


WATER RESISTANT

Description
Cam, Type "CDZ"/"SN-Z" Zone Lock, Water Resistant/Yellow Zinc Dichromate
Where Used: CDZ
List Price: \$87.00

Type "SN-Z" - Sliding Door (S/S, 2/SP, 3/SP)

SW21-1001L/R*



Description
Lock, "SN-Z" Car Zone, For Swing Doors
List Price: \$185.00

SW21-1000L/R



L.H. SHOWN
R.H. OPPOSITE

Description
Switch Assembly, Type "SN-Z" Zone Lock
List Price: \$70.00

Car Zone Locks

DOOR EQUIPMENT

Car Zone Lock Parts

Type "CDZ"

Latches

ZLK-0004N



Description
 Latch, Type "CDZ" Zone Lock 1 3/4" Sill,
 For Swing Doors
 Where Used: CDZ
 List Price: \$23.20

ZLK-0005N



Description
 Latch, Type "CDZ" Zone Lock 2 1/4" Sill,
 For Swing Doors
 Where Used: CDZ
 List Price: \$23.20

Type "SN-Z"

Keepers

SW21-9006L/R



Description
 Keeper, "SN-Z" Zone Lock Car Door
 Where Used: SN-Z
 Contact G.A.L. For Pricing

ZLK1-0005N



Description
 Keeper, Type "CDZ3" Zone Lock
 Where Used: CDZ3
 List Price: \$62.00

Mounting Angles

ZLK1-0006L/R



Description
 Angle, Type "SN-Z" & "CDZ3" Keeper
 Mounting
 Where Used: CDZ3
 List Price: \$24.80

SW21-9005N



Description
 Bracket, SN-Z Mounting Angle
 Where Used: CDZ3
 List Price: \$75.00

Conventional Parts

INT22-0020N



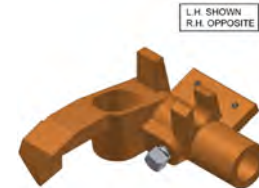
Contact Kit, "N" Interlock Lower
 Where Used: SN-Z Switch
 List Price: \$34.00

INT5-0025N



Arm & Roller, 4 1/2" C.L.
 Where Used: SN & SN-Z Lock & Contact
 List Price: \$24.80

ZLK1-0004L/R



Cam Locking, Type "CDZ3"/"SN-Z" Zone Lock
 Where Used: CDZ3 & SN-Z Switch
 List Price: \$47.00

GAL

Retiring Cams

DOOR EQUIPMENT

- **Retiring Cam Basic** consists of the cam, cable and mounting base only. Also available in water resistant zinc dichromate plating.
- **Extended Retiring Cam** includes mounting brackets that allow the basic retiring cam to be mounted to the sill and a header at top. Also available in water resistant zinc dichromate plating.
- **Motorized Retiring Cam** includes basic retiring cam, 115 or 220 volt AC/DC power pack, and a 230 volt 1/6 HP motor.
- **Water Resistant Motorized Retiring Cam** consists of the basic retiring cam with zinc dichromate plating, and sealed water resistant steel box containing 115 or 220 volt AC/DC power supply with a 230 volt 1/6 HP motor.
- **Explosion Resistant Motorized Retiring Cam** consists of the basic retiring cam, and sealed aluminum tank containing 115 or 220 volt AC/DC power supply with a 230 volt 1/6 HP motor.

**RETIRING CAM
ASSEMBLIES**
294-296

RETRING CAM PARTS
297-301



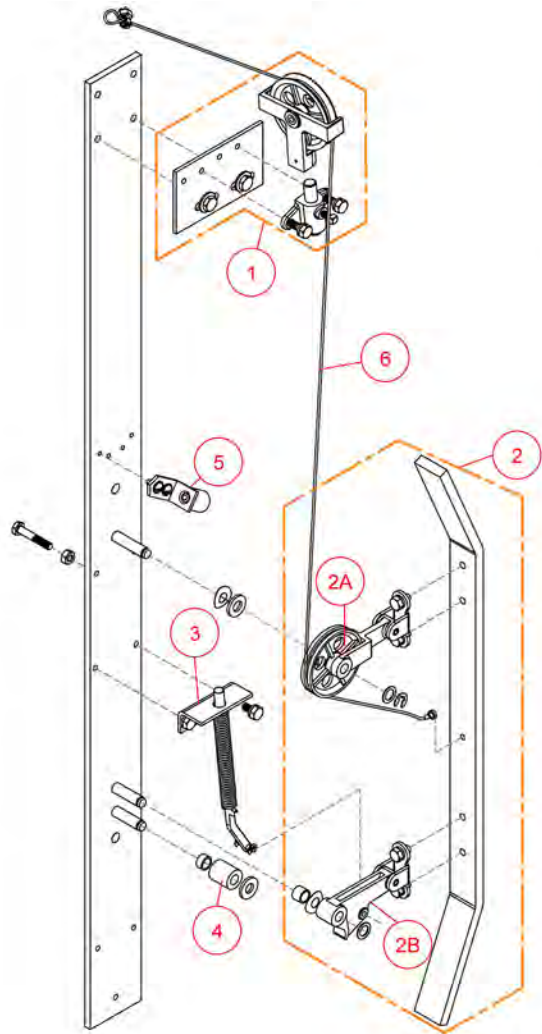
**MOTORIZED
RETIRING CAM**

DOOR EQUIPMENT

Retiring Cam Isometric Drawing

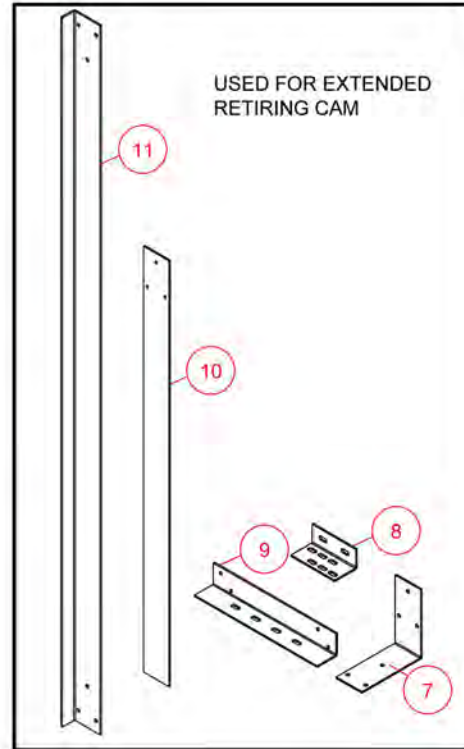
Standard

Retiring Cams



Note:

Water resistant retiring cam, yellow zinc dichromate plated. See water resistant category for part numbers.



LEFT HAND SHOWN
RIGHT HAND OPPOSITE

WHEN ORDERING ASSY'S OR PARTS ADVISE TYPE OF DOOR, OPENING SIZE AND HAND

Part No.	Item No	Description
RC1-0021N	1	Pulley Assembly, Retiring Cam Deflector (Page# 300)
RC1-0080N	2	Cam Assembly, With Upper & Lower Brackets (Page# 298)
RC1-0024N	2A	Arm, Retiring Cam Upper Pivot Assembly (Page# 298)
RC1-0023N	2B	Arm, Retiring Cam Lower Pivot Assembly (Page# 298)
RC1-0026N	3	Spring/Rod, Replacement Guide (Page# 301)
RC1-0031N	4	Bumper, Retiring Cam Lower (Page# 299)

Part No.	Item No	Description
RC1-0030L/R	5	Bumper, Retiring Cam Upper (Page# 299)
RC1-0037N	6	Cable, Retiring Cam (Page# 301)
RC1-0019N	7	Angle, Retiring Cam Bottom (Page# 299)
RC1-0018N	8	Angle, Retiring Cam Top Support (Page# 299)
RC1-0014N	9	Angle, Retiring Cam Header Support (Page# 299)
RC1-0012N	10	Plate, Retiring Cam Extension (Page# 299)
RC1-0013N	11	Angle, Retiring Long Extension (Page# 299)

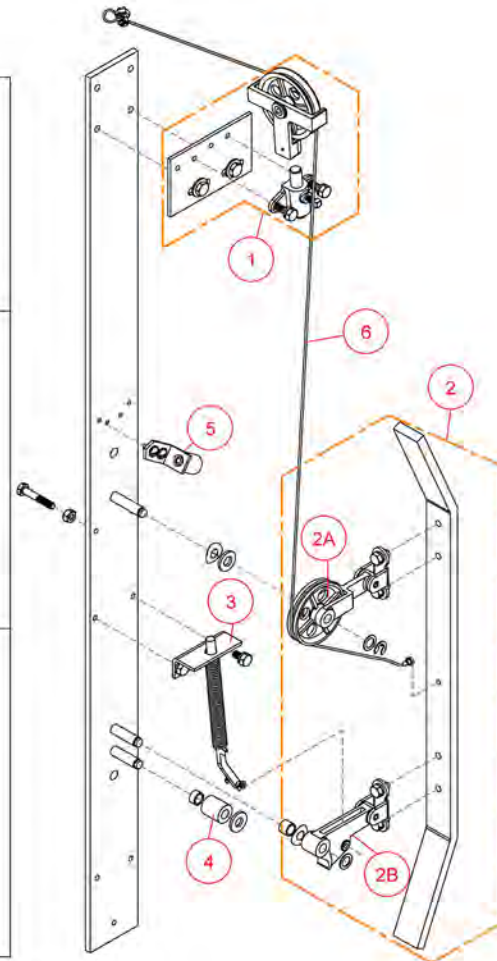
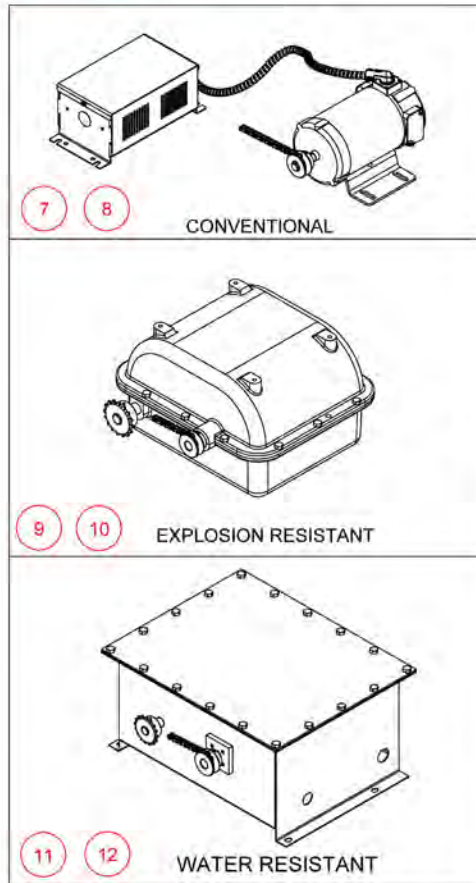
Mounting hardware included with retiring cam assemblies (Page# 301)

DOOR EQUIPMENT

Retiring Cam Isometric Drawing

Motorized

Note:
Water resistant retiring cam,
yellow zinc dichromate plated.
See water resistant category
for part numbers.



Retiring Cams

LEFT HAND SHOWN
 RIGHT HAND OPPOSITE

**WHEN ORDERING ASSY'S OR
 PARTS ADVISE TYPE OF DOOR,
 OPENING SIZE AND HAND**

Part No.	Item No	Description
RC1-0021N	1	Pulley Assembly, Retiring Cam Deflector (Page# 300)
RC1-0080N	2	Cam Assembly, With Upper & Lower Brackets (Page# 298)
RC1-0024N	2A	Arm, Retiring Cam Upper Pivot Assembly (Page# 298)
RC1-0023N	2B	Arm, Retiring Cam Lower Pivot Assembly (Page# 298)
RC1-0026N	3	Spring/Rod, Replacement Guide (Page# 301)
RC1-0031N	4	Bumper, Retiring Cam Lower (Page# 299)
RC1-0030L/R	5	Bumper, Retiring Cam Upper (Page# 299)

Part No.	Item No	Description
RC1-0037N	6	Cable, Retiring Cam (Page# 301)
RC1-0032N	7	Motor & Power Pack 115V (Page# 297)
RC1-0033N	8	Motor & Power Pack 220V (Page# 297)
RC1-0034N	9	Tank, Explosion Retiring Cam 115V (Page# 297)
RC1-0035N	10	Tank, Explosion Retiring Cam 225V (Page# 297)
RC1-0041N	11	Tank, Moisture Retiring Cam 115V (Page# 297)
RC1-0042N	12	Tank, Moisture Retiring Cam 225V (Page# 297)

Mounting hardware included with retiring cam assemblies (Page# 301)

DOOR EQUIPMENT

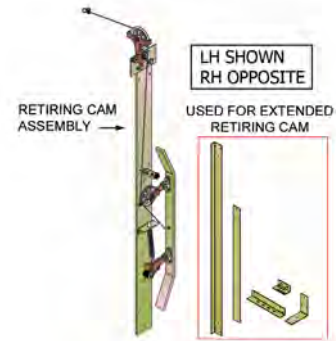
Retiring Cam Assemblies

Conventional



Part No.	Description	List Price
RC1-0001L/R	Cam, Retiring	\$473.00
RC1-0002L/R	Cam, Extended Retiring	\$755.00

Water Resistant



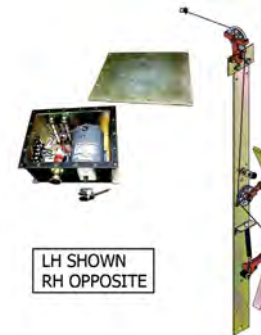
Part No.	Description	List Price
RC1-0009L/R	Cam, Water Resistant Retiring	\$621.00
RC1-0010L/R*	Cam, Extended Water Resistant Retiring	\$945.00

Motorized



Part No.	Description	List Price
RC1-0003L/R	Cam, 115V Motorized Retiring	\$1,078.00
RC1-0004L/R	Cam, 220V Motorized Retiring	\$1,078.00

Motorized (Water Resistant)



Part No.	Description	List Price
RC1-0007L/R*	Cam, 115 PM Water Resistant Retiring	\$2,748.00
RC1-0008L/R*	Cam, 220 PM Water Resistant Retiring	\$2,748.00

Motorized (Explosion Resistant)



Part No.	Description	List Price
RC1-0005L/R	Cam, 115 PM Explosion Resistant Retiring	\$2,541.00
RC1-0006L/R	Cam, 220 PM Explosion Resistant Retiring	\$2,541.00

Retiring Cams

DOOR EQUIPMENT

Retiring Cam Parts

Motors & Power Packs

Discontinued



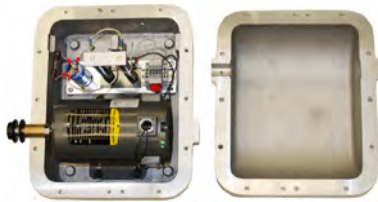
Old Style Arrangement
RC1-0033N**

Replaced By
RC1-0032N & RC1-0033N

Note: All motorized retiring cams utilize the G.A.L. 1/6 HP 220 V.D.C. motor, Part No. MTR-0008N

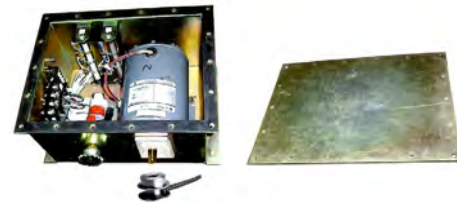
Part No.	Description	List Price
RC1-0032N	Motor & Power Pack 115V	\$740.00
RC1-0033N	Motor & Power Pack 220V	\$740.00

Tank



Part No.	Description	List Price
RC1-0034N	Tank, Explosion Retiring Cam 115V	\$2,394.00
RC1-0035N	Tank, Explosion Retiring Cam 220V	\$2,394.00

Steel Box



Part No.	Description	List Price
RC1-0041N	Steel Box, Moisture Retiring Cam 115V	\$2,246.00
RC1-0042N	Steel Box, Moisture Retiring Cam 220V	\$2,246.00

Power Pack & Parts

RC1-0038N



Power Pack, Retiring Cam 115V
List Price: \$308.00

RC1-0039N



Power Pack, Retiring Cam 220V
List Price: \$308.00

RC1-0075N



Power Supply, Explosion Proof Ret
Cam, 220VDC
List Price: \$308.00

RC1-0076N



Power Supply, Explosion Proof Ret
Cam, 115VDC
List Price: \$308.00

RES-0097N



Resistor, 100 OHM 100 Watt With
(2) Adjustable Bands, 115 VDC, 6
1/2" Lg.
List Price: \$15.40

RES-0098N



Resistor, 175 OHM 100 Watt With
(2) Adjustable Bands, 115 VDC, 6
1/2" Lg.
List Price: \$15.40

RES-0099N



Resistor, 300 OHM 100 Watt With
(2) Adjustable Bands, 220 VDC, 6
1/2" Lg.
List Price: \$15.40

RC1-0061N



Rod Assembly, Resistor Mounting
List Price: \$6.20

DOOR EQUIPMENT

Retiring Cam Parts

Power Pack & Parts

RES-0074N



Resistor, 400 OHM 20 Watt, 220 VDC
List Price: \$7.80

RES-0075N



Resistor, 1000 OHM 20 Watt, 115 VDC
List Price: \$8.45

RC1-0040N



Terminal Block, Motor Retiring Cam, Includes Diode & Suppressor
List Price: \$31.00

MOV-0003N



Mov, Suppressor 250/330V
List Price: \$7.80

DIOD-0004N



Diode Bridge, 4 Pin
List Price: \$7.80

OP70-0022N



Plate, MOW/ RCWP Motor Shaft Seal Assembly, (For Steel Box, 2 1/2 x 2 1/2 x 1/4" w/ Hardware.)
List Price: \$47.00

CAP-0029N



Cap, 260UF/350VDC, Electrolytic Can-Type
List Price: \$23.20

Retiring Cams

Arms & Cam

RC1-0023N



Arm, Retiring Cam Lower Pivot Assembly
List Price: \$47.00

RC1-0024N



Arm, Retiring Cam Upper Pivot Assembly With Pulley
List Price: \$53.00

RC1-0051N



Arm, Retiring Cam Lower Pivot, Yellow Zinc Dichromate
List Price: \$93.00

RC1-0052N



Arm, Retiring Cam Upper Pivot With Pulley, Yellow Zinc Dichromate
List Price: \$105.00

RC1-0080N



Cam Assembly, With Upper & Lower Brackets
List Price: \$161.00

DOOR EQUIPMENT

Retiring Cam Parts

Bumpers

RC1-0030L/R

L.H. SHOWN
R.H. OPPOSITE



Bumper, Retiring Cam Upper Stop
List Price: \$12.40

RC1-0031N



Bumper, Retiring Cam Lower Stop
List Price: \$3.20

RC1-0057L/R

LH SHOWN
RH OPPOSITE



Bumper, Retiring Cam Upper Stop,
Yellow Zinc Dichromate
List Price: \$24.80

RC1-0058N



Bumper, Retiring Cam Lower Stop,
Yellow Zinc Dichromate
List Price: \$4.80

Extension Angles and Plates

RC1-0011N

Set Members:
RC1-0012N
RC1-0013N
RC1-0014N
RC1-0018N
RC1-0019N
See the individual parts for details



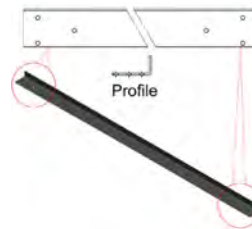
Angles, Retiring Cam Extension Set
List Price: \$285.00

RC1-0012N



Plate, Retiring Cam Extension
List Price: \$47.00

RC1-0013N



Angle, Retiring Cam Long Extension
List Price: \$85.00

RC1-0014N



Angle, Retiring Cam Header Sup-
port
List Price: \$59.00

RC1-0018N



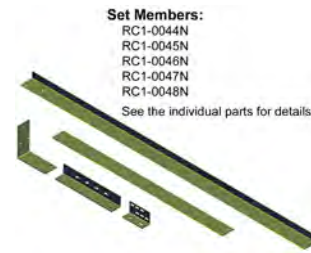
Angle, Retiring Cam Top Support
List Price: \$44.00

RC1-0019N



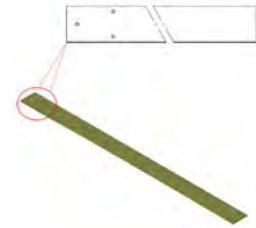
Angle, Retiring Cam Bottom
List Price: \$37.00

RC1-0043N



Angles, Retiring Cam Set Extension,
Yellow Zinc Dichromate
List Price: \$210.00

RC1-0044N



Plate, Retiring Cam Extension, Yel-
low Zinc Dichromate
List Price: \$37.00

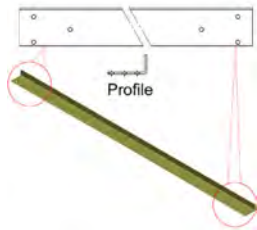
Retiring Cams

DOOR EQUIPMENT

Retiring Cam Parts

Extension Angles and Plates

RC1-0045N



Angle, Retiring Long Cam Extension, Yellow Zinc Dichromate
List Price: \$93.00

RC1-0046N



Angle, Retiring Cam Header Support, Yellow Zinc Dichromate
List Price: \$62.00

RC1-0047N



Angle, Retiring Cam Bottom, Yellow Zinc Dichromate
List Price: \$62.00

RC1-0048N



Angle, Retiring Cam Top Support, Yellow Zinc Dichromate
List Price: \$24.80

RC1-0078N



Plate, Retiring Cam Pulley Mounting, 17" (Special)
List Price: \$12.40

Retiring Cams

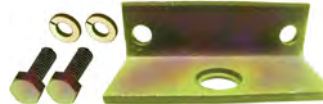
Guide Plate

RC1-0028N



Description
Guide Plate, Retiring Cam Spring
List Price: \$10.80

RC1-0054N



Description
Guide Plate, Ret Cam Spring, Yellow Zinc Dichromate
List Price: \$21.60

Pulley Assemblies and Parts

RC1-0015N



Pulley, AS17 X 5/8" I.D. Chain, With Chain
List Price: \$23.20

RC1-0016N



Pulley, AS17 X 1/2" I.D. Chain, With Chain
List Price: \$23.20

RC1-0021N



Pulley Assembly, Retiring Cam Deflector
List Price: \$105.00

RC1-0050N



Pulley Assembly, Retiring Cam Deflector, Yellow Zinc Dichromate
List Price: \$179.00

DOOR EQUIPMENT

Retiring Cam Parts

Pulley Assemblies and Parts

RC1-0064N



Pulley, Retiring Cam Deflector
List Price: \$56.00

RC1-0025N



Pulley, 2 5/8" Diameter Nylon, For Upper Arm Assembly
List Price: \$15.40

RC1-0022N



Shaft Support, Retiring Cam With Set Screws For Retiring Cam Deflector Pulley Assembly
List Price : \$12.40

Spring And Rod Assemblies

RC1-0026N



Spring And Rod Assembly, Replacement Guide
List Price: \$62.00

RC1-0027N



Spring And Rod Assembly
List Price: \$44.00

RC1-0053N



Spring And Rod, Replacement Guide, Yellow Zinc Dichromate
List Price : \$124.00

RC1-0055N



Spring And Rod Assembly, Yellow Zinc Dichromate
List Price: \$87.00

Hardware

RC1-0029N



Pin, Spring Rod
List Price: \$4.80

RC1-0056N



Pin, Spring Rod Plated, Yellow Zinc Dichromate
List Price: \$9.40

RC1-0036N



Hardware, Plated Mounting, Yellow Zinc Dichromate
List Price: \$15.40

RC1-0037N



Cable, Retiring Cam
List Price: \$15.40

RC1-0059N



Hardware Kit, Upper Arm
List Price: \$3.20

SPG-0037N



Spring, 4 1/2" Lg X 1/2" Od-0.059 Wire, .059 Wire- 40 Turns
List Price: \$9.40

Retiring Cams

GAL

Door Closers

**SPRING, REEL & LINKAGE
CLOSER ASSEMBLIES**
302-312

**SPRING, REEL & LINKAGE
CLOSER PARTS**
313-317

**MANUAL HATCH DOOR
SAC & BAC ASSEMBLIES**
318-322

**SAC & BAC
ARMS & BRACKET**
323

**SAC & BAC HOUSING
ASSEMBLIES & PARTS**
323

**SAC & BAC SPRINGS
& HARDWARE**
324-325

**MANUAL CAR DOOR &
COLLAPSIBLE GATE
CLOSER ASSEMBLIES**
325-326

**MANUAL CAR DOOR &
COLLAPSIBLE GATE
CLOSER PARTS**
326-327

**MANUAL CLOSER
OIL CHECK**
327

DOOR CLOSER TYPE

- **SPRING** - Spring Closer, consists of linkage and spring, used on S/S, 2/SP, 3/SP, C/P & 2S/CP hatch doors
- **SPRING-W** - Water Resistant Spring Closer, yellow zinc dichromate plated used on S/S, 2/SP, 3/SP, C/P & 2S/CP hatch doors
- **REEL** - * Reel Closer (Spirator), used on S/S & C/P only
- **REEL-W** - Water Resistant Reel Closer (Spirator), with yellow zinc dichromate plated MT'G plate, used on S/S & CP doors only
- **CAR DOOR LINKAGE** - Conventional or Water Resistant Car Door Linkage, used on 2/SP car door when cable gearing is not used on hangers, or drive arm linkage is not used

MANUAL DOOR CLOSER TYPE

MANUAL HATCH DOOR

- **SAC** - Straight Arm Closer, used on S/S, 2/SP & 3/SP doors for car switch operation
- **BAC** - Broken Arm Closer, used on S/S, 2/SP & 3/SP doors for automatic operation (water resistant closers also available)

MANUAL CAR DOOR OR GATE

- **Car Door Closer** - Used on S/S & 2/SP door, with or without solenoid release (water resistant closers without solenoid release also available)
- **Collapsible Gate Closer** - Used on collapsible car gates, with or without solenoid release



**BROKEN ARM
CLOSER**



**STRAIGHT ARM
CLOSER**



REEL CLOSER
* GAL does not recommend
the use of a reel closer on
2/SP or 2SP/CP doors



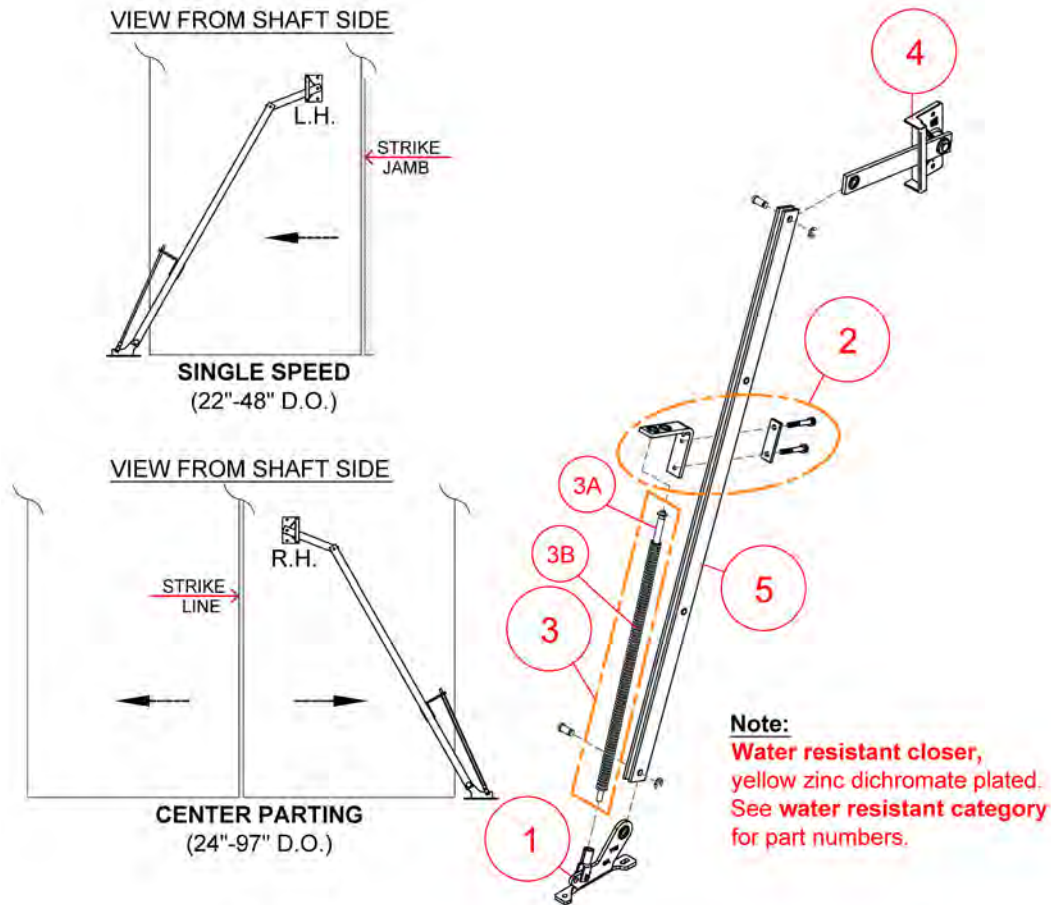
SPRING CLOSER

DOOR EQUIPMENT

DOOR EQUIPMENT

Spring Closer Isometric Drawing

Single Speed & Center Parting



LEFT HAND SHOWN
RIGHT HAND OPPOSITE

WHEN ORDERING ASSY'S OR PARTS ADVISE TYPE OF DOOR, OPENING SIZE AND HAND

Part No.	Item No	Description
CL5-0056N	1	Base, Single Spring Closer (Page# 316)
CL5-0059N	2	Guide, Double Spring Closer (Page# 316)
CL5-0051N	3	Spring Rod Assembly (Page# 316)
HWNR-0001N	3A	Sleeve, 3/8" OD X 5/16" ID X 17.75 Nylon, Used For Spring Closers (Page# 316)

Mounting hardware included (Page# 317)

Part No.	Item No	Description
SPG-0046N	3B	Spring, 18 1/2" Lg X 21/32" OD (Page# 316)
CL5-XXXXX	4	Link & Bracket, Fast Door (Page# 313)
CL5-XXXXX	5	Arm, Spring Closer (Page# 313)

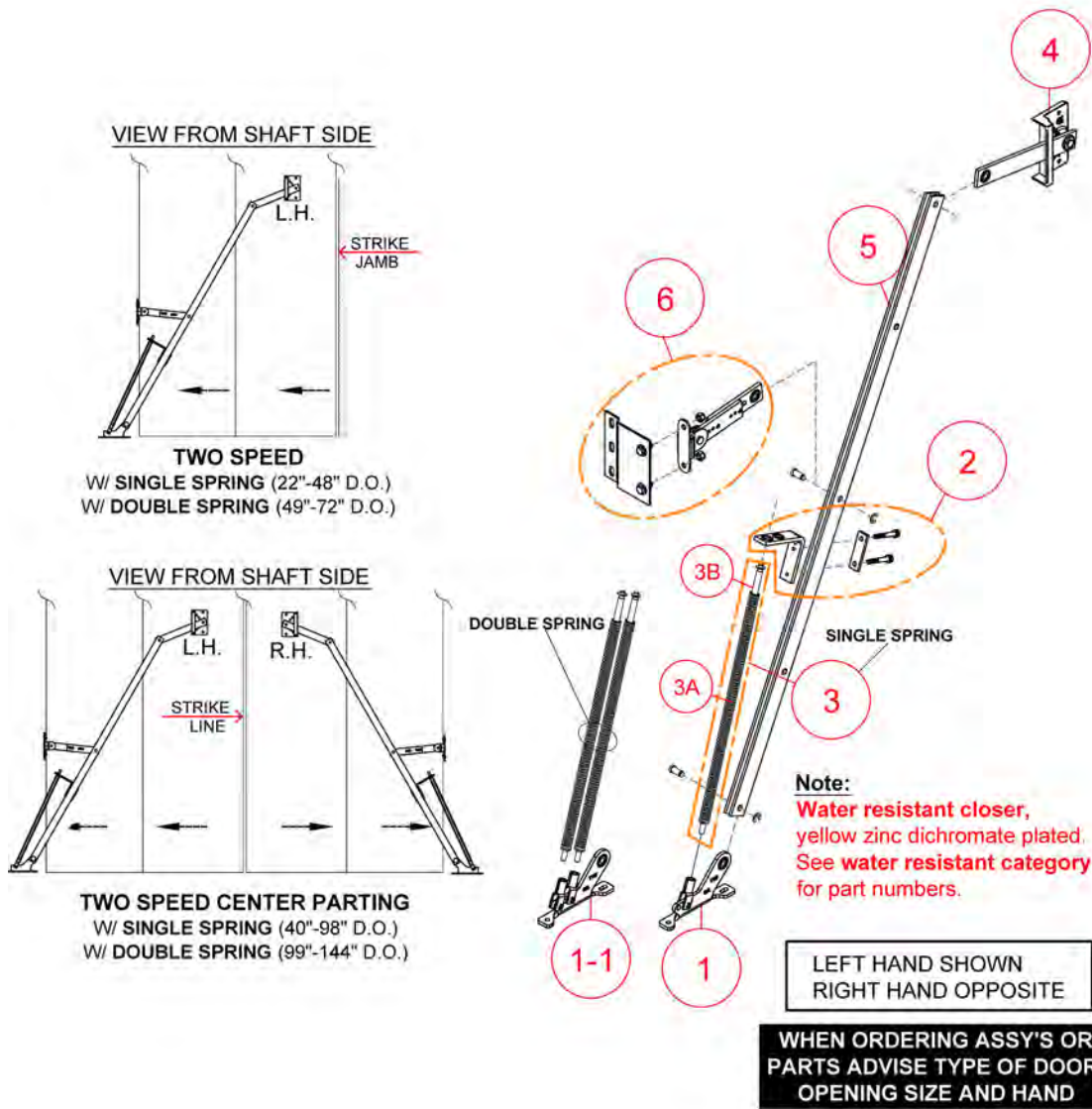
Door Closer Assemblies

DOOR EQUIPMENT

Spring Closer Isometric Drawing

Two Speed & Two Speed Center Parting

Door Closer Assemblies



Part No.	Item No	Description
CL5-0056N	1	Base, Single Spring Closer (Page# 316)
CL5-0057N	1-1	Base, Double Spring Closer (Page# 316)
CL5-0059N	2	Guide, Double Spring Closer (Page# 316)
CL5-0051N	3	Spring Rod Assembly (Page# 316)
HWNR-0001N	3A	Sleeve, 3/8" OD X 5/16" ID X 17.75 Nylon, Used For Spring Closers (Page# 316)

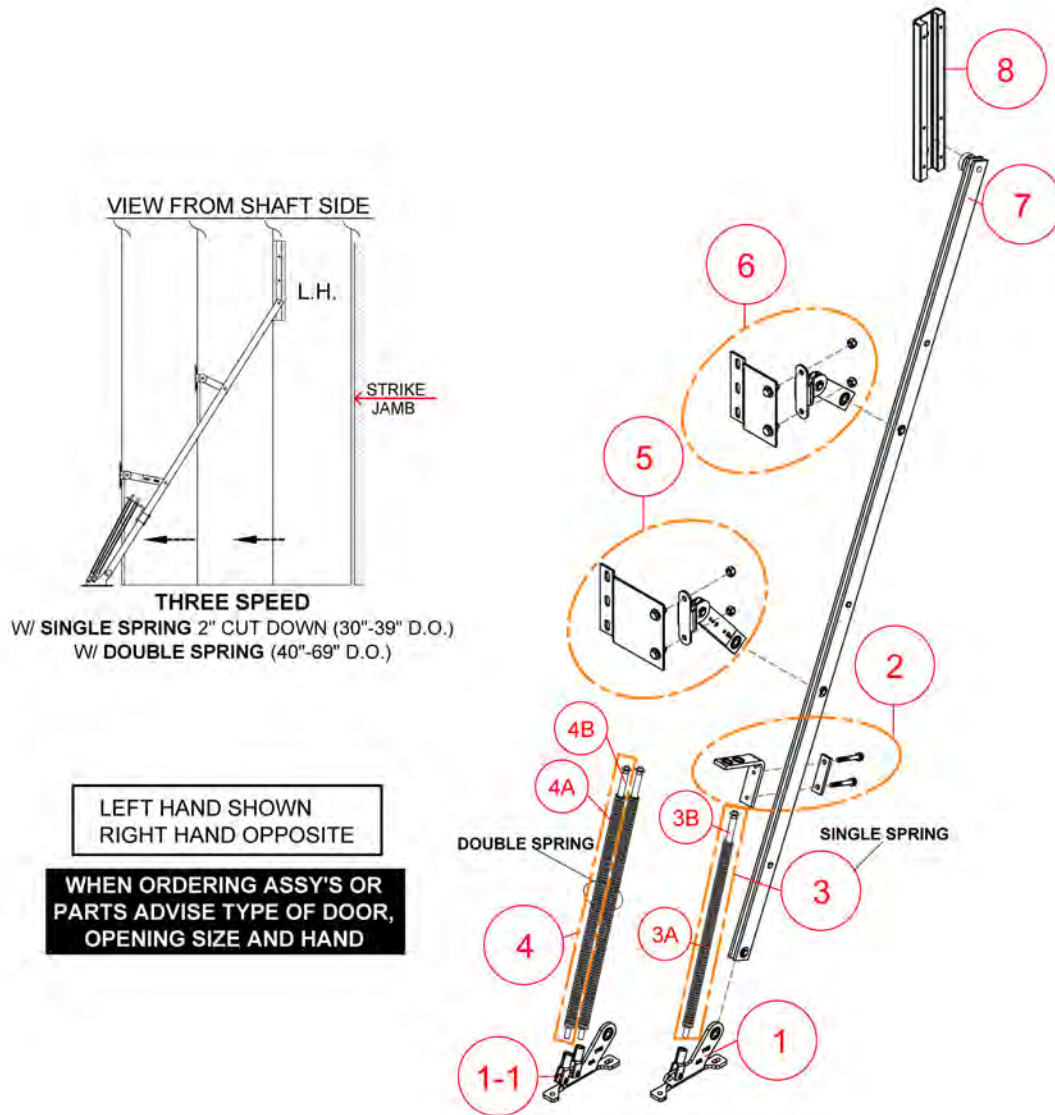
Part No.	Item No	Description
SPG-0046N	3B	Spring, 18 1/2" Lg X 21/32" OD (Page# 316)
CL5-XXXXX	4	Link & Bracket, Fast Door (Page# 313)
CL5-XXXXX	5	Arm, Spring Closer (Page# 313)
CL5-XXXXX	6	Link & Bracket, Slow Door (Page# 313-314)

Mounting hardware included (Page# 317)

DOOR EQUIPMENT

Spring Closer Isometric Drawing

Three Speed



LEFT HAND SHOWN
RIGHT HAND OPPOSITE

WHEN ORDERING ASSY'S OR PARTS ADVISE TYPE OF DOOR, OPENING SIZE AND HAND

Door Closer Assemblies

Part No.	Item No	Description
CL5-0056N	1	Base, Single Spring Closer (Page# 316)
CL5-0057N	1-1	Base, Double Spring Closer (Page# 316)
CL5-0059N	2	Guide, Double Spring Closer (Page# 316)
CL5-0163N	3	Spring Rod Assembly, Cut Down 2" (Page# 316)
HWNR-0001N	3A	Sleeve, 3/8" OD X 5/16" ID X 17.75 Nylon, Used For Spring Closers (Page# 316)
SPG-0078N	3B	Spring, 16 1/2" Lg X 21/32" OD (Cut Down From "SPG-0046N") (Page# 316)
CL5-0051N	4	Spring Rod Assembly (Page# 316)

Part No.	Item No	Description
HWNR-0001N	4A	Sleeve, 3/8" OD X 5/16" ID X 17.75 Nylon, Used For Spring Closers (Page# 316)
SPG-0046N	4B	Spring, 18 1/2" Lg X 21/32" OD (Page# 316)
CL5-XXXXX	5	Link & Bracket, Slow Door (Page# 313-314)
CL5-XXXXX	6	Link & Bracket, Intermediate Door (Page# 314)
CL5-XXXXX	7	Arm, Spring Closer (Page# 313)
CL5-XXXXX	8	Shoe Assembly, 3Sp Spring Closer (Page# 315)

Mounting hardware included (Page# 317)

DOOR EQUIPMENT

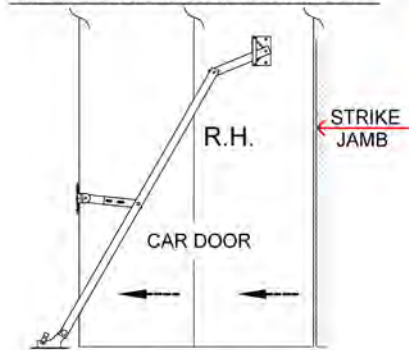
Car Door Linkage Isometric Drawing

Two Speed

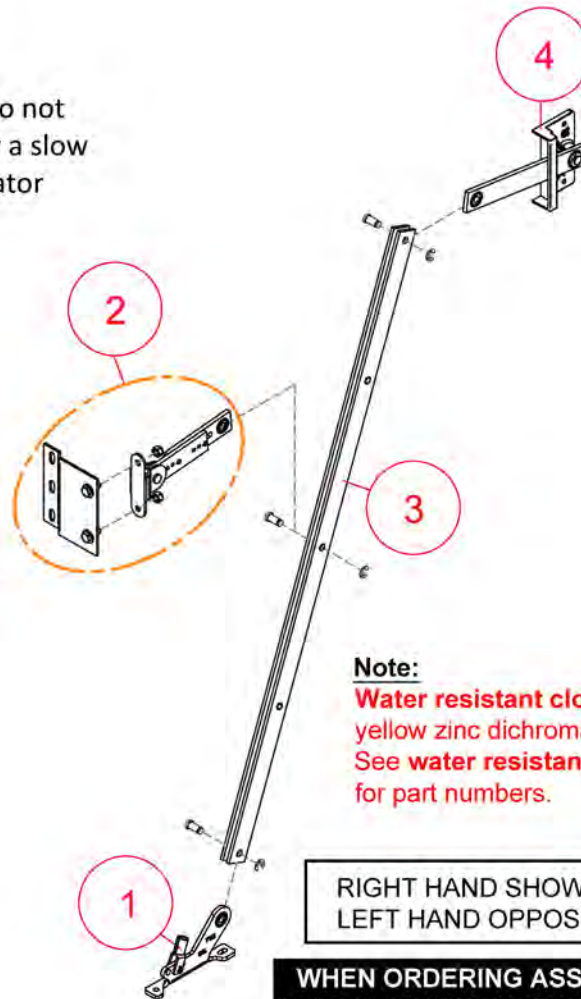
NOTE:

Use for 2/SP car doors that do not have cable geared hanger, or a slow door connection to the operator drive arms.

VIEW FROM CORRIDOR SIDE



TWO SPEED
W/O SPRING (30"-54" D.O.)



Note:

Water resistant closer, yellow zinc dichromate plated. See **water resistant category** for part numbers.

RIGHT HAND SHOWN
LEFT HAND OPPOSITE

WHEN ORDERING ASSY'S OR PARTS ADVISE TYPE OF DOOR, OPENING SIZE AND HAND

Part No.	Item No	Description
CL5-0056N	1	Base, Single Spring Closer (Page# 316)
CL5-XXXXX	2	Link & Bracket, Slow Door (Page# 313)

Mounting hardware included (Page# 317)

Part No.	Item No	Description
CL5-XXXXX	3	Arm, Spring Closer (Page# 313)
CL5-XXXXX	4	Link & Bracket, Fast Door (Page# 313)

Door Closer Assemblies

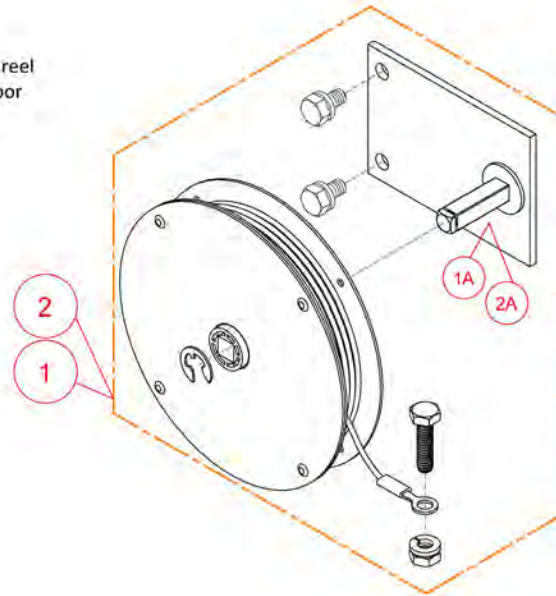
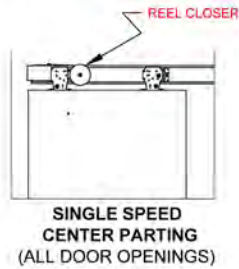
DOOR EQUIPMENT

Reel Closer Isometric Drawing

Standard & Water Resistant

NOTE:

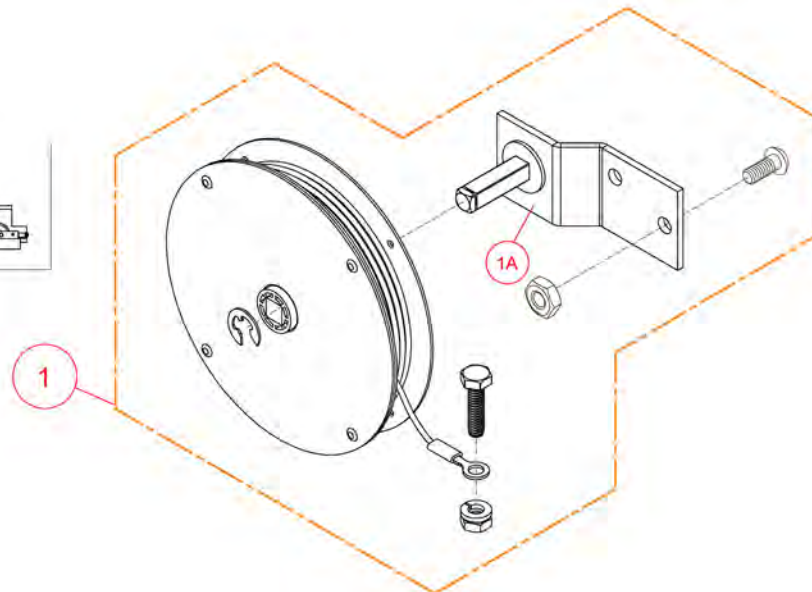
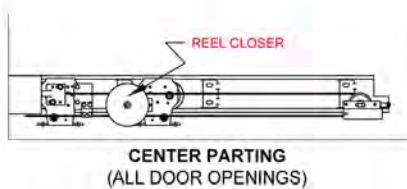
G.A.L. does not recommend the use of reel closers for two 2/SP, 3/SP or 2SP/CP door arrangements, use a spring closer.



Part No.	Item No	Description
CL6-0001N	1	Closer Assembly, Reel (Page# 312)
CL6-0003N	1A	Bracket, Reel Closer Mounting (Page# 313)

Part No.	Item No	Description
CL6-0005N	2	Closer Assembly, Water Resistant Reel (Page# 312)
CL6-0014N	2A	Bracket, Reel Closer Mounting, Yellow Zinc Dichromate (Page# 313)

CP - Westinghouse IV & V



Part No.	Item No	Description
CL6-0009N	1	Closer Assembly, Westinghouse IV & V Reel (With Special Offset Mounting Bracket) (Page# 205)

Part No.	Item No	Description
CL6-0012N	1A	Bracket, Westinghouse IV & V Reel Closer (Page# 205)

Door Closer Assemblies

DOOR EQUIPMENT

Door Closer Assemblies

Spring Closers

Conventional - Dust/Explosion Resistant - Vandal Resistant

Single Speed & Center Parting

SINGLE SPRING - S/S & C/P

Note: Closer hand can be reversed in field for S/P & C/P door openings.



Part No.	S/S	C/P	Arm Length	Fast Door Link	List Price
CL5-0001L/R	22"-27"	24"-55"	36"	7 1/2"	\$57.00
CL5-0002L/R	28"-35"	56"-71"	42"	9"	\$57.00
CL5-0003L/R	36"-40"	72"-81"	48"	9"	\$57.00
CL5-0004L/R	41"-44"	82"-89"	48"	10 1/2"	\$57.00
CL5-0005L/R	45"-48"	90"-97"	52"	12"	\$57.00

Door Closer Assemblies

Two Speed (Single Spring)

SINGLE SPRING - 2/SP & 2SP/CP



Part No.	2/SP	Arm Length	Fast Door Link	Slow Door Link	List Price
CL5-0006L/R	24"	42"	7 1/2"	5 3/8"	\$84.00
CL5-0007L/R	25"	42"	7 1/2"	5 3/4"	\$84.00
CL5-0009L/R	26"-27"	42"	7 1/2"	7 1/4"	\$84.00
CL5-0011L/R	28"-35"	42"	9"	7"	\$84.00
CL5-0012L/R	36"-40"	48"	9"	8 1/4"	\$84.00
CL5-0013L/R	41"-44"	48"	10 1/2"	9 1/4"	\$84.00
CL5-0014L/R	45"-48"	52"	12"	10 1/4"	\$84.00

Two Speed (Double Spring)

DOUBLE SPRING - 2/SP & 2SP/CP



Part No.	2/SP	Arm Length	Fast Door Link	Slow Door Link	List Price
CL5-0251L/R*	41"-44"	48"	10 1/2"	9 1/4"	\$139.00
CL5-0252L/R*	45"-48"	52"	12"	10 1/4"	\$139.00
CL5-0015L/R	49"-51"	60"	11"	9 3/4"	\$139.00
CL5-0016L/R	52"-54"	72"	11"	11"	\$139.00
CL5-0017L/R	55"-60"	72"	14"	12 1/2"	\$139.00
CL5-0018L/R	61"-66"	72"	16"	14"	\$139.00
CL5-0019L/R	67"-72"	76"	17"	15 1/2"	\$195.00

DOOR EQUIPMENT

Door Closer Assemblies

Spring Closers

Conventional - Dust/Explosion Resistant - Vandal Resistant

Two Speed Center Parting (Single Spring)

SINGLE SPRING - 2/SP & 2SP/CP



Part No.	2SP/CP	Arm Length	Fast Door Link	Slow Door Link	List Price
CL5-0006L/R	40", 44", 48"-49"	42"	7 1/2"	5 3/8"	\$84.00
CL5-0007L/R	41", 45", 47", 50"	42"	7 1/2"	5 3/4"	\$84.00
CL5-0008L/R	32"-39", 42"-43", 46", 51"	42"	7 1/2"	6 1/8"	\$84.00
CL5-0009L/R	52"-54"	42"	7 1/2"	7 1/4"	\$84.00
CL5-0010L/R	55"	42"	7 1/2"	8 1/4"	\$84.00
CL5-0011L/R	56"-70"	42"	9"	7"	\$84.00
CL5-0012L/R	71"-82"	48"	9"	8 1/4"	\$84.00
CL5-0013L/R	83"-90"	48"	10 1/2"	9 1/4"	\$84.00
CL5-0014L/R	91"-98"	52"	12"	10 1/4"	\$84.00

Two Speed Center Parting (Double Spring)

DOUBLE SPRING - 2/SP & 2SP/CP



Part No.	2SP/CP	Arm Length	Fast Door Link	Slow Door Link	List Price
CL5-0015L/R	99"-104"	60"	11"	9 3/4"	\$139.00
CL5-0016L/R	105"-110"	72"	11"	11"	\$139.00
CL5-0017L/R	111"-122"	72"	14"	12 1/2"	\$139.00
CL5-0018L/R	123"-134"	72"	16"	14"	\$139.00
CL5-0019L/R	135"-144"	76"	17"	15 1/2"	\$195.00

Three Speed (Shoe Type - Single Spring)**

SINGLE SPRING - 3/SP & 3SP/CP

**Note: Spring & Rod cut down 2" (30"-39" door opening)



Part No.	3/SP	Arm Length	Intermediate Door Link	Slow Door Link	Shoe Length	List Price
CL5-0088L/R*	30"	54"	3 3/16"	5 5/8"	12"	\$524.00
CL5-0089L/R*	31"	54"	3 1/4"	5 5/8"	12"	\$524.00
CL5-0090L/R*	32"	54"	3 3/8"	5 11/16"	12"	\$524.00
CL5-0091L/R*	33"	54"	3 7/16"	5 11/16"	12"	\$524.00
CL5-0092L/R*	34"	54"	3 9/16"	5 11/16"	12"	\$524.00
CL5-0093L/R*	35"	54"	3 11/16"	5 13/16"	15"	\$524.00
CL5-0094L/R*	36"	54"	3 7/8"	6 1/16"	15"	\$524.00
CL5-0095L/R*	37"	54"	4"	6 1/4"	15"	\$524.00
CL5-0096L/R*	38"	54"	4 3/16"	6 1/2"	15"	\$524.00
CL5-0097L/R*	39"	54"	4 5/16"	6 3/4"	15"	\$524.00

Door Closer Assemblies

DOOR EQUIPMENT

Door Closer Assemblies

Spring Closers

Conventional - Dust/Explosion Resistant - Vandal Resistant

Three Speed (Shoe Type - Double Spring)**

DOUBLE SPRING - 3/SP & 3SP/CP ****Note:** Spring & Rod cut down 2" (40"-49" door opening)



Part No.	3/SP	Arm Length	Intermediate Door Link	Slow Door Link	Shoe Length	List Price
CL5-0098L/R*	40"	60"	4 5/16"	6 15/16"	15"	\$524.00
CL5-0099L/R*	41"	60"	4 7/16"	7 1/8"	15"	\$524.00
CL5-0100L/R*	42"	60"	4 5/8"	7 3/8"	15"	\$524.00
CL5-0101L/R*	43"	60"	4 3/4"	7 5/8"	15"	\$524.00
CL5-0102L/R*	44"	60"	4 15/16"	7 13/16"	15"	\$524.00
CL5-0103L/R*	45"	60"	5 1/8"	8 1/16"	18"	\$524.00
CL5-0104L/R*	46"	60"	5 1/4"	8 5/16"	18"	\$524.00
CL5-0105L/R*	47"	60"	5 7/16"	8 9/16"	18"	\$524.00
CL5-0106L/R*	48"	60"	5 5/8"	8 3/4"	18"	\$524.00
CL5-0107L/R*	49"	60"	5 13/16"	9"	18"	\$524.00

Three Speed (Shoe Type - Double Spring)

Part No.	3/SP	Arm Length	Intermediate Door Link	Slow Door Link	Shoe Length	List Price
CL5-0108L/R*	50"	72"	5 1/2"	9 3/16"	18"	\$524.00
CL5-0109L/R*	51"-53"	72"	5 11/16" - 6"	9 3/8" - 9 7/8"	18"	\$524.00
CL5-0110L/R*	54"	72"	6 1/8"	10 1/6"	18"	\$524.00
CL5-0111L/R*	55"-57"	72"	6 5/16" - 6 5/8"	10 5/16" - 10 3/4"	20"	\$524.00
CL5-0112L/R*	58"	72"	6 13/16"	11"	20"	\$524.00
CL5-0113L/R*	59"	72"	7"	11 1/4"	20"	\$524.00
CL5-0114L/R*	60"-61"	78"	6 15/16" - 7 1/16"	11 7/16" - 11 5/8"	20"	\$524.00
CL5-0115L/R*	62"	78"	7 1/4"	11 7/8"	20"	\$524.00
CL5-0116L/R*	63"-64"	78"	7 7/16" - 7 9/16"	12 1/8" - 12 5/16"	20"	\$524.00
CL5-0117L/R*	65"-66"	78"	7 3/4" - 7 15/16"	12 9/16" - 12 13/16"	22"	\$524.00
CL5-0118L/R*	67"	78"	8 1/8"	13 1/16"	22"	\$524.00
CL5-0119L/R*	68"-69"	78"	8 3/16" - 8 1/2"	13 1/8" - 13 1/2"	22"	\$524.00

Three Speed Center Parting (Shoe Type - Double Spring)**

Note: Three speed center parting (3SP/CP) shoe type with a single or double spring (spring & rod cut down 2") is available to order. Contact G.A.L. Sales or Engineering for information.

Water Resistant

Single Speed & Center Parting

SINGLE SPRING - S/S & C/P

Note: All Ferrous Material Yellow Zinc Dichromate Plated



Part No.	S/S	C/P	Arm Length	Fast Door Link	List Price
CL7-0001L/R*	22"-27"	24"-55"	36"	7 1/2"	\$114.00
CL7-0002L/R*	28"-35"	56"-71"	42"	9"	\$114.00
CL7-0003L/R*	36"-40"	72"-81"	48"	9"	\$114.00
CL7-0004L/R*	41"-44"		48"	10 1/2"	\$114.00
CL7-0005L/R*	45"-48"		52"	12"	\$114.00

DOOR EQUIPMENT

Door Closer Assemblies

Spring Closers

Water Resistant

Two Speed (Single Spring)

SINGLE SPRING - 2/SP & 2SP/CP



Part No.	2/SP	Arm Length	Fast Door Link	Slow Door Link	List Price
CL7-0006L/R*	24"	42"	7 1/2"	5 3/8"	\$167.00
CL7-0007L/R*	25"	42"	7 1/2"	5 3/4"	\$167.00
CL7-0009L/R*	26"-27"	42"	7 1/2"	7 1/4"	\$167.00
CL7-0011L/R*	28"-35"	42"	9"	7"	\$167.00
CL7-0012L/R*	36"-40"	48"	9"	8 1/4"	\$167.00
CL7-0013L/R*	41"-44"	48"	10 1/2"	9 1/4"	\$167.00
CL7-0014L/R*	45"-48"	52"	12"	10 1/4"	\$167.00

Two Speed Center Parting (Single Spring)

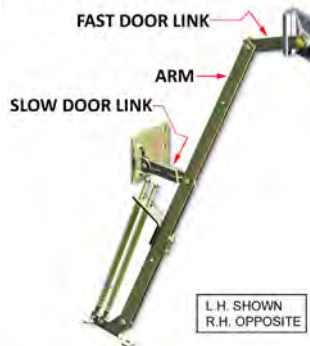
SINGLE SPRING - 2/SP & 2SP/CP



Part No.	2SP/CP	Arm Length	Fast Door Link	Slow Door Link	List Price
CL7-0006L/R*	40", 44" 48", 49"	42"	7 1/2"	5 3/8"	\$167.00
CL7-0007L/R*	41", 45" 47", 50"	42"	7 1/2"	5 3/4"	\$167.00
CL7-0008L/R*	32"-39", 42" 43", 46", 51"	42"	7 1/2"	6 1/8"	\$167.00
CL7-0009L/R*	52"-54"	42"	7 1/2"	7 1/4"	\$167.00
CL7-0010L/R*	55"	42"	7 1/2"	8 1/4"	\$167.00
CL7-0011L/R*	56"-70"	42"	9"	7"	\$167.00
CL7-0012L/R*	71"-82"	48"	9"	8 1/4"	\$167.00
CL7-0013L/R*	83"-90"	48"	10 1/2"	9 1/4"	\$167.00
CL7-0014L/R*	91"-98"	52"	12"	10 1/4"	\$167.00

Two Speed (Double Spring)

DOUBLE SPRING - 2/SP



Part No.	2/SP	Arm Length	Fast Door Link	Slow Door Link	List Price
CL7-0015L/R*	49"-51"	60"	11"	9 3/4"	\$278.00
CL7-0016L/R*	52"-54"	72"	11"	11"	\$278.00
CL7-0017L/R*	55"-60"	72"	14"	12 1/2"	\$278.00
CL7-0018L/R*	61"-66"	72"	16"	14"	\$278.00
CL7-0019L/R*	67"-72"	76"	17"	15 1/2"	\$389.00

Door Closer Assemblies

DOOR EQUIPMENT

Door Closer Assemblies

Spring Closers

Water Resistant

*Three Speed (Shoe Type - Single Spring)***

SINGLE SPRING - 3/SP



Part No.	3/SP	Arm Length	Intermediate Door Link	Slow Door Link	Shoe Length	List Price
CL7-0020L/R*	30"	54"	3 3/16"	5 5/8"	12"	\$1,048.00
CL7-0021L/R*	31"	54"	3 1/4"	5 5/8"	12"	\$1,048.00
CL7-0022L/R*	32"	54"	3 3/8"	5 11/16"	12"	\$1,048.00
CL7-0023L/R*	33"	54"	3 7/16"	5 11/16"	12"	\$1,048.00
CL7-0024L/R*	34"	54"	3 9/16"	5 11/16"	12"	\$1,048.00
CL7-0025L/R*	35"	54"	3 11/16"	5 13/16"	15"	\$1,048.00
CL7-0026L/R*	36"	54"	3 7/8"	6 1/16"	15"	\$1,048.00
CL7-0027L/R*	37"	54"	4"	6 1/4"	15"	\$1,048.00
CL7-0028L/R*	38"	54"	4 3/16"	6 1/2"	15"	\$1,048.00
CL7-0029L/R*	39"	54"	4 5/16"	6 3/4"	15"	\$1,048.00

*Three Speed (Shoe Type - Double Spring)***

DOUBLE SPRING - 3/SP



Part No.	3/SP	Arm Length	Intermediate Door Link	Slow Door Link	Shoe Length	List Price
CL7-0030L/R*	40"	60"	4 5/16"	6 15/16"	15"	\$1,048.00
CL7-0031L/R*	41"	60"	4 7/16"	7 1/8"	15"	\$1,048.00
CL7-0032L/R*	42"	60"	4 5/8"	7 3/8"	15"	\$1,048.00
CL7-0033L/R*	43"	60"	4 3/4"	7 5/8"	15"	\$1,048.00
CL7-0034L/R*	44"	60"	4 15/16"	7 13/16"	15"	\$1,048.00
CL7-0035L/R*	45"	60"	5 1/8"	8 1/16"	18"	\$1,048.00
CL7-0036L/R*	46"	60"	5 1/4"	8 5/16"	18"	\$1,048.00
CL7-0037L/R*	47"	60"	5 7/16"	8 9/16"	18"	\$1,048.00
CL7-0038L/R*	48"	60"	5 5/8"	8 3/4"	18"	\$1,048.00
CL7-0039L/R*	49"	60"	5 13/16"	9"	18"	\$1,048.00

Three Speed (Shoe Type - Double Spring)

DOUBLE SPRING - 3/SP



Part No.	3/SP	Arm Length	Intermediate Door Link	Slow Door Link	Shoe Length	List Price
CL7-0040L/R*	50"	72"	5 1/2"	9 3/16"	18"	\$1,048.00
CL7-0041L/R*	51"	72"	5 11/16"	9 3/8"	18"	\$1,048.00
CL7-0042L/R*	52"	72"	5 13/16"	9 5/8"	18"	\$1,048.00
CL7-0043L/R*	53"	72"	6"	9 7/8"	18"	\$1,048.00
CL7-0044L/R*	54"	72"	6 1/8"	10 1/16"	18"	\$1,048.00
CL7-0045L/R*	55"	72"	6 5/16"	10 5/16"	20"	\$1,048.00
CL7-0046L/R*	56"	72"	6 1/2"	10 9/16"	20"	\$1,048.00
CL7-0047L/R*	57"	72"	6 5/8"	10 3/4"	20"	\$1,048.00
CL7-0048L/R*	58"	72"	6 13/16"	11"	20"	\$1,048.00
CL7-0049L/R*	59"	72"	7"	11 1/4"	20"	\$1,048.00
CL7-0050L/R*	60"	78"	6 15/16"	11 7/16"	20"	\$1,048.00
CL7-0051L/R*	61"	78"	7 1/16"	11 5/8"	20"	\$1,048.00
CL7-0052L/R*	62"	78"	7 1/4"	11 7/8"	20"	\$1,048.00
CL7-0053L/R*	63"	78"	7 7/16"	12 1/8"	20"	\$1,048.00
CL7-0054L/R*	64"	78"	7 9/16"	12 5/16"	20"	\$1,048.00
CL7-0055L/R*	65"	78"	7 3/4"	12 9/16"	22"	\$1,048.00
CL7-0056L/R*	66"	78"	7 15/16"	12 13/16"	22"	\$1,048.00
CL7-0057L/R*	67"	78"	8 1/8"	13 1/16"	22"	\$1,048.00
CL7-0058L/R*	68"	78"	8 3/16"	13 1/8"	22"	\$1,048.00
CL7-0059L/R*	69"	78"	8 1/2"	13 1/2"	22"	\$1,048.00

Door Closer Assemblies

DOOR EQUIPMENT

Door Closer Assemblies

Car Door Linkage

Conventional

Two Speed



Part No.	2/SP	Arm Length	Fast Door Link	Slow Door Link	List Price
CL5-0073L/R	30"	42"	9"	7"	\$68.00
CL5-0074L/R	31"	42"	9"	7"	\$68.00
CL5-0075L/R	32"	42"	9"	7"	\$68.00
CL5-0076L/R	33"	42"	9"	7"	\$68.00
CL5-0077L/R	34"	42"	9"	7"	\$68.00
CL5-0078L/R	35"	42"	9"	7"	\$68.00
CL5-0079L/R	36"	48"	9"	8 1/4"	\$68.00
CL5-0080L/R	37"	48"	9"	8 1/4"	\$68.00
CL5-0081L/R	38"	48"	9"	8 1/4"	\$68.00
CL5-0082L/R	39"-40"	48"	9"	8 1/4"	\$68.00
CL5-0083L/R	41"-44"	48"	10 1/2"	9 1/4"	\$68.00
CL5-0084L/R	45"-48"	52"	12"	10 1/4"	\$68.00
CL5-0085L/R	49"-51"	60"	11"	9 3/4"	\$68.00
CL5-0086L/R	52"-54"	72"	11"	11"	\$68.00

Reel Closers

Note: Reel closers are not recommended or used for 2SP, 2SP/CP or 3SP doors. Use spring closers instead.

Conventional

CL6-0001N



Closer Assembly, Reel. Conventional, Dust/Explosion Resistant, and Vandal Resistant
List Price: \$57.00

Water Resistant

CL6-0005N

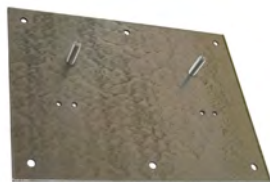


Closer Assembly, Reel. Water Resistant Yellow Zinc Dichromate
List Price: \$114.00

Spring Closer Accessories

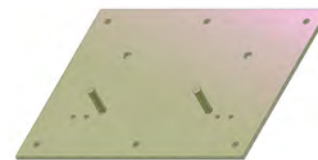
Spring Closer Reinforcement Plate

CL5-0259N



Plate, Closer Reinforcement w/ Studs, w/ (2) 1/4"-20 x 1" LG Self-Clinching Zinc Studs
List Price: \$15.40

CL7-0127N



Plate, Closer Reinforcement w/ Studs, Yellow Zinc Dichromate w/ (2) 1/4"-20 x 1" LG Self-Clinching Zinc Studs
List Price: \$30.60

Door Closer Assemblies

DOOR EQUIPMENT

Door Closer Parts

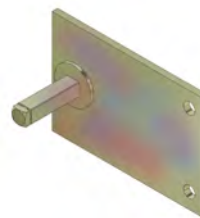
Reel Closer Brackets

CL6-0003N



Description
Bracket, Reel Closer Mounting
List Price: \$20.20

CL6-0014N



Description
Bracket, Reel Closer Mounting, Yellow Zinc Dichromate
List Price: \$41.00

Spring Closer Arms

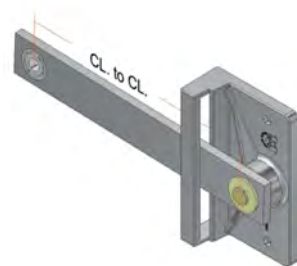


Part No.	S/S	2/SP	C/P	2SP/CP	Arm CL to CL	List Price
CL5-0020N	22"-27"		24"-55"		36"	\$44.00
CL5-0021N	28"-35"		56"-71"		42"	\$44.00
CL5-0023N	36"-44"		72"-89"		48"	\$44.00
CL5-0025N	45"-48"		90"-97"		52"	\$44.00
CL5-0022N		24"-35"		32"-70"	42"	\$56.00
CL5-0024N		36"-44"		71"-72"	48"	\$56.00
CL5-0026N		45"-48"			52"	\$56.00
CL5-0027N		49"-51"			60"	\$70.00
CL5-0028N		52"-66"			72"	\$70.00
CL5-0029N		67"-72"			76"	\$99.00

Link & Brackets

Conventional

Fast Door Link & Bracket



Part No.	S/S	2/SP	C/P	2SP/CP	Link CL To CL	List Price
CL5-0030N	22"-27"	24"-27"	24"-55"	33"-55"	7 1/2"	\$44.00
CL5-0031N	28"-40"	28"-40"	56"-81"	56"-72"	9"	\$44.00
CL5-0032N	41"-44"	41"-44"	82"-89"	83"-90"	10 1/2"	\$44.00
CL5-0033N		49"-54"		99"-110"	11"	\$44.00
CL5-0034N	45"-48"	45"-48"	90"-97"	91"-98"	12"	\$44.00
CL5-0035N		55"-60"		111"-122"	14"	\$44.00
CL5-0036N		61"-66"		123"-134"	16"	\$44.00
CL5-0037N		67"-72"		135"-144"	17"	\$44.00

Slow Door Link & Bracket (3/SP)



Part No.	3/SP	Link CL To CL	List Price
CL5-0141N	30"-31"	5 5/8"	\$62.00
CL5-0142N	32"-39"	5 11/16" - 6 3/4"	\$62.00
CL5-0143N	40"-44"	6 15/16" - 7 13/16"	\$62.00
CL5-0144N	45"-49"	8 1/16" - 9"	\$62.00
CL5-0145N	50"-53"	9 3/16" - 9 7/8"	\$62.00
CL5-0146N	54"-57"	10 1/16" - 10 3/4"	\$62.00
CL5-0147N	58"-61"	11" - 11 5/8"	\$62.00
CL5-0148N	62"-66"	11 7/8" - 12 13/16"	\$62.00
CL5-0149N	67"-68"	13 1/16" - 13 1/8"	\$62.00
CL5-0150N	69"	13 1/2"	\$62.00

Door Closer Parts

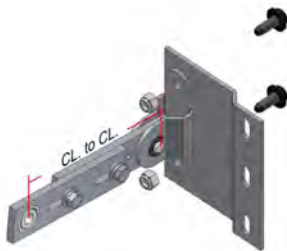
DOOR EQUIPMENT

Door Closer Parts

Link & Brackets

Conventional

Slow Door Link & Bracket (2/SP & 2SP/CP)



Part No.	2/SP	2SP/CP	Link CL To CL	List Price
CL5-0038N	24"	40", 44" 48"-49"	5 3/8"	\$56.00
CL5-0039N	25"	41", 45" 47", 50"	5 3/4"	\$56.00
CL5-0040N		32"-39" 42"-43" 46", 51"	6 1/8"	\$56.00
CL5-0041N	26"-35"	52"-54" 56"-70"	7" - 7 1/4"	\$56.00
CL5-0042N	36"-40" 41"-44"	55", 71"-82"	8 1/4"	\$56.00
CL5-0043N	49"-51"	83"-90"	9 1/4" - 9 3/4"	\$56.00
CL5-0044N	45"-48"	91"-98"	10 1/4"	\$56.00
CL5-0045N	52"-54"		11"	\$56.00
CL5-0046N	55"-60"		12 1/2"	\$56.00
CL5-0047N	61"-66"		14"	\$56.00
CL5-0048N	67"-72"		15 1/2"	\$56.00

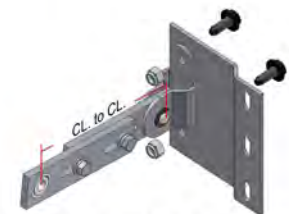
Door Closer
Parts

Intermediate Door Link & Bracket (3/SP)

Note: Part # CL5-0136N through CL5-0140N Link & Bracket are adjustable.



Link CL to CL: <= 5 1/4"



Link CL to CL: >= 5 1/4"

Part No.	3/SP	Link CL To CL	List Price
CL5-0120N	30"	3 3/16"	\$62.00
CL5-0121N	31"	3 1/4"	\$62.00
CL5-0122N	32"	3 3/8"	\$62.00
CL5-0123N	33"	3 7/16"	\$62.00
CL5-0124N	34"	3 9/16"	\$62.00
CL5-0125N	35"	3 11/16"	\$62.00
CL5-0126N	36"	3 7/8"	\$62.00
CL5-0127N	37"	4"	\$62.00
CL5-0128N	38"	4 3/16"	\$62.00
CL5-0129N	39"-40"	4 5/16"	\$62.00
CL5-0130N	41"	4 7/16"	\$62.00
CL5-0131N	42"	4 5/8"	\$62.00
CL5-0132N	43"	4 3/4"	\$62.00
CL5-0133N	44"	4 15/16"	\$62.00
CL5-0134N	45"	5 1/8"	\$62.00
CL5-0135N	46"	5 1/4"	\$62.00
CL5-0136N	47", 50"	5 7/16" - 5 1/2"	\$62.00
CL5-0138N	49", 52"-57"	5 13/16" - 6 5/8"	\$62.00
CL5-0139N	58"-66"	6 13/16" - 7 15/16"	\$62.00
CL5-0140N	67"-69"	8 1/8" - 8 1/2"	\$62.00

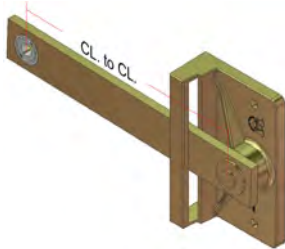
DOOR EQUIPMENT

Door Closer Parts

Link & Brackets

Water Resistant

Fast Door Link & Bracket

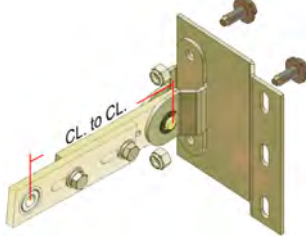


Note: All ferrous material are yellow zinc dichromate plated

Part No.	S/S	2/SP	C/P	2SP/CP	Link CL To CL	List Price
CL7-0083N	22"-27"	24"-27"	24"-55"	33"-55"	7 1/2"	\$88.00

Slow Door Link & Bracket

Note: All ferrous material are yellow zinc dichromate plated



Part No.	2/SP	2SP/CP	Link CL To CL	List Price
CL7-0112N	24"	40", 44", 48"-49"	5 3/8"	\$112.00
CL7-0131N	25"	41", 45", 47", 50"	5 3/4"	\$112.00
CL7-0132N		32"-39", 42"-43" 46", 51"	6 1/8"	\$112.00
CL7-0133N	26"-35"	52"-54", 56"-70"	7" - 7 1/4"	\$112.00
CL7-0134N	41"-44", 49"-51"		9 1/4" - 9 3/4"	\$112.00
CL7-0135N	45"-48"		10 1/4"	\$112.00
CL7-0136N	52"-54"		11"	\$112.00
CL7-0137N	55"-60"		12 1/2"	\$112.00
CL7-0138N	61"-66"		14"	\$112.00
CL7-0139N	67"-72"		15 1/2"	\$112.00

Door Closer Parts

Spring Closer Shoes



Part No.	3/SP	Shoe Length	List Price
CL5-0155N*	30"-34"	12"	\$118.00
CL5-0156N*	35"-44"	15"	\$118.00
CL5-0157N*	45"-54"	18"	\$118.00
CL5-0158N*	55"-64"	20"	\$118.00
CL5-0159N*	65"-69"	22"	\$118.00
CL5-0260N		26"	\$118.00

Spring Closer Brackets

CL5-0072N



Bracket, 2/SP & 2SP/CP Slow Door Closer Assembly, 3" C.L.
List Price: \$31.00

CL5-0160N



Bracket, 3/SP Intermediate Door Closer Assembly, 3 3/8" C.L.
List Price: \$37.00

CL5-0161N



Bracket, 3/SP Slow Door Closer Assembly, 4 3/4" C.L.
List Price: \$37.00

DOOR EQUIPMENT

Door Closer Parts

Spring Closer Bases

CL5-0056N



Description
 Base, Single Spring Closer, S/S 22"-48", 2/SP 24"-48", C/P 30"-54", 2SP/CP 32"-72" D.O.
 List Price: \$24.80

CL5-0057N



Description
 Base, Double Spring Closer, 2/SP 49"-72" D.O.
 List Price: \$27.80

Spring Closer Guides

CL5-0447N



Description
 Guide, Double Reinforced Spring Closer, 2/SP & 3/SP Large D.O.
 List Price: \$30.80

CL5-0059N



Description
 Guide, Double Spring Closer
 List Price: \$15.40

Spring Rod Assemblies & Parts

CL5-0051N



Spring Rod Assembly
 List Price: \$39.00

CL5-0163N



Spring Rod Assembly, Cut Down 2"
 List Price: \$70.00

CL7-0109N



Spring Rod Assembly, Yellow Zinc Dichromate
 List Price: \$78.00

SPG-0046N



Spring, 18 1/2" LG X 21/32" OD.
 Used For Standard Spring Rod Assembly
 List Price: \$14.00

SPG-0078N



Spring, 16 1/2" LG x 21/32" OD. Cut Down 2"
 From SPG-0046N
 List Price: \$23.20

SPG-0047N



Spring, 18 1/2" LG x 21/32" OD. Stainless Steel
 List Price: \$27.80

HWNR-0001N



Sleeve, 3/8" OD X 5/16" ID X 17.75 Nylon, Used For Spring Closers
 List Price: \$7.80

Door Closer Parts

DOOR EQUIPMENT

Door Closer Parts

Spring Closer Hardware

Door Closer Parts

CL5-0053N



Hardware, S/S-C/P Closer, Yellow Zinc Dichromate
List Price: \$7.80

CL5-0054N



Hardware, 2/SP-2SP/CP Closer, Yellow Zinc Dichromate
List Price: \$7.80

CL5-0162N



Hardware, 3/SP Spring Door Closer, Yellow Zinc Dichromate
List Price: \$8.60

CL5-0179N



Hardware, 2/SP-2SP/CP Special Boxed Schindler Closer Mounting, Yellow Zinc Dichromate
List Price: \$7.80

HWSC-0345N



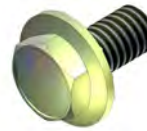
Screw, 5/16-18 X 1/2" Hex Tap-Sems, Yellow Zinc Dichromate
List Price: \$0.20

HWSC-0347N



Screw, 5/16-18 X 5/8" Hex Tap-Sems, Yellow Zinc Dichromate
List Price: \$1.00

HWSC-0346N



Screw, 5/16-18 X 7/8" Sems, Yellow Zinc Dichromate
List Price: \$1.00

HWSC-0193N



Screw, 1/4-20 X 2" LG Hex Head Cap, Cap 3/4 Thread Steel Bolt For Spring Support
List Price: \$0.60

CL5-0050N



Pin, Spring Arm Closer Pivot, With (2) HWRC-0004N Clips
List Price: \$4.80

HWRC-0003N



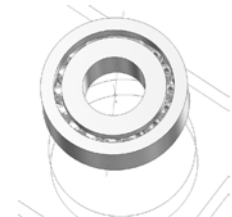
Clip, Re-31 .025" Thick External Retaining, For Spring Rod Assembly
List Price: \$1.00

HWRC-0004N



Clip, Re-37 External Retaining, Use For Spring Closer Pivot Pin, Reel Closer
List Price: \$1.00

HWBR-0001N



Bearing, 7/8 OD X 3/8 ID No Shoulder
List Price: \$6.20

CL5-0258N*



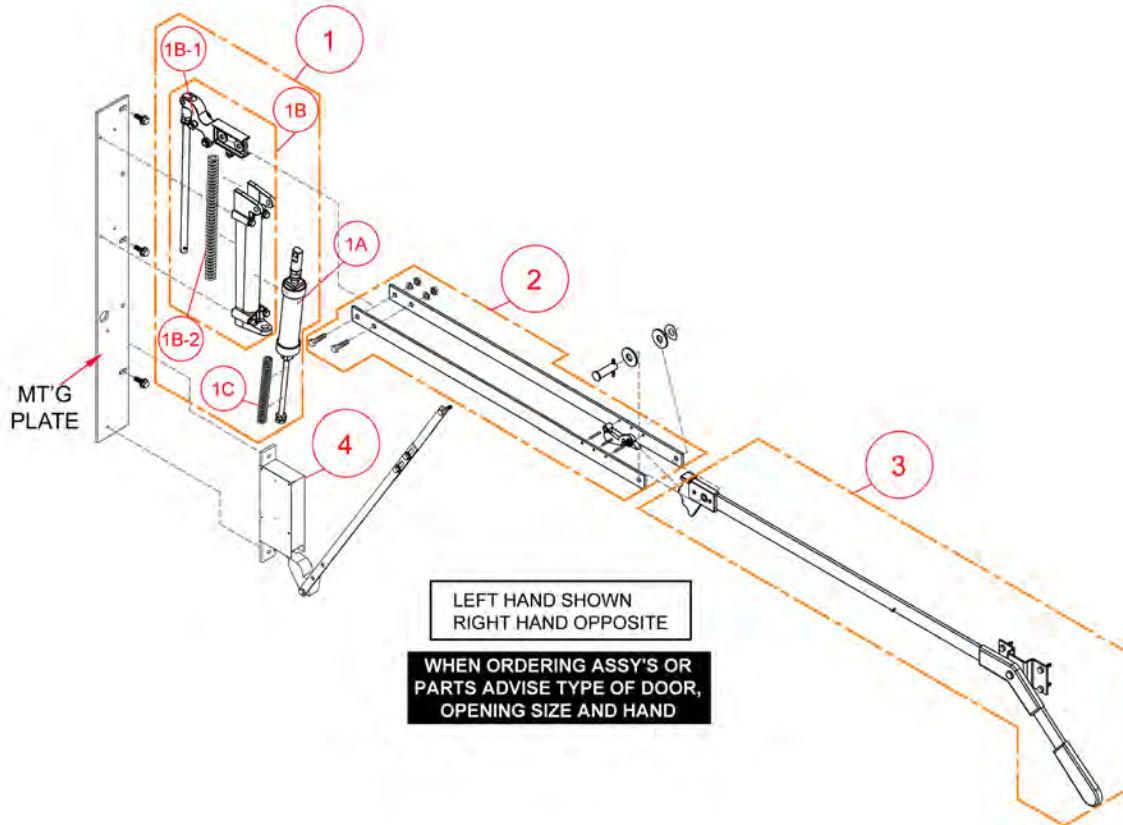
Channel, Spring CL Sill Bracket Offset Mounting
List Price: \$77.00

DOOR EQUIPMENT

Manual Equipment Isometric Drawing

Straight Arm Closer

Single Speed (22"-120" D.O.)



Manual Closer
Equipments

Part No.	Item No	Description
CL3-0005N	1	Arm & Housing Assembly, S/S SAC (Page# 323)
OC-0002N	1A	Oil Check, OC-500-C S/S & 2/SP Straight Arm Closer (Page# 327)
CL3-0006N	1B	Housing Assembly, S/S Straight Arm Closer Rocker (Page# 323)
CL1-0007N	1B-1	Rocker Arm Assembly, BAC & SAC (Page# 324)
SPG-0055N	1B-2	Spring, 11" Lg X 13/16" OD-0.148 Wire- 36 Turns (Page# 324)

Part No.	Item No	Description
SPG-0045N	1C	Spring, 6" Lg X 11/16" OD-0.105 Wire- 28 Turns (Page# 325)
CL3-0003N	2	Arm Assembly, S/S Straight Arm Closer Rear (Page# 323)
CL3-0002L/R	3	Arm Assembly, S/S SAC Bracket & Front (Page# 323)
INT9-0001L/R	4	Interlock Assembly, Type "HD" (Page# 351)

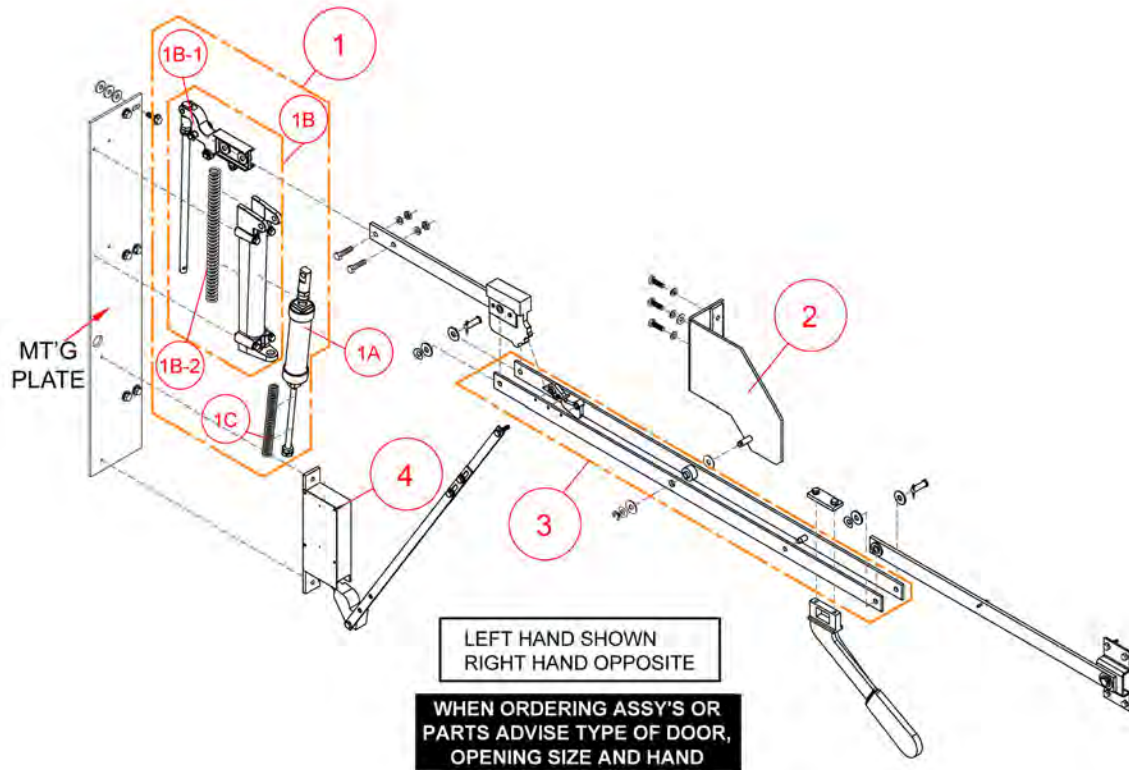
Mounting hardware included.

DOOR EQUIPMENT

Manual Equipment Isometric Drawing

Straight Arm Closer

Two Speed (22"-120" D.O.)



Manual Closer Equipments

Two Speed (22"-42" D.O.)

Part No.v	Item No	Description
CL4-0008N	1	Arm & Housing Assembly, 2/SP SAC 42" & Under D.O. (Page# 323)
OC-0002N	1A	Oil Check, OC-500-C S/S & 2/SP Straight Arm Closer (Page# 327)
CL2-0011N	1B	Housing Assembly, 2/SP SAC/ BAC With 0.148-Wire Spring (Page# 323)
CL1-0007N	1B-1	Rocker Arm Assembly, BAC & SAC (Page# 324)
SPG-0057N	1B-2	Spring, 12 3/4" Lg X 13/16" OD-0.148 Wire- 42 Turns (Page# 324)
SPG-0045N	1C	Spring, 6" Lg X 11/16" OD-0.105 Wire- 28 Turns (Page# 325)
CL2-0004L/R	2	Bracket Assembly, 2/SP SAC & BAC Slow Door (Page# 323)
CL4-0003N	3	Arm Assembly, 2/SP SAC Intermediate (Page# 323)
INT9-0001L/R	4	Interlock Assembly, Type "HD" (Page# 351)

Two Speed (43"-120" D.O.)

Part No.	Item No	Description
CL4-0008N	1	Arm & Housing Assembly, 2/SP SAC 42" & Under D.O. (Page# 323)
OC-0002N	1A	Oil Check, OC-500-C S/S & 2/SP Straight Arm Closer (Page# 327)
CL2-0012N	1B	Housing Assembly, 2/SP SAC/ BAC With .155-Wire Spring (Page# 323)
CL1-0007N	1B-1	Rocker Arm Assembly, BAC & SAC (Page# 324)
SPG-0059N	1B-2	Spring, 12 3/4" Lg X 13/16" OD-0.148 Wire- 42 Turns (Page# 324)
SPG-0049N	1C	Spring, 6" Lg X 11/16" OD-0.120 Wire- 28 Turns (Page# 325)
CL2-0004L/R	2	Bracket Assembly, 2/SP BAC Slow Door (Page# 323)
CL4-0003N	3	Arm Assembly, 2/SP SAC Intermediate (Page# 323)
INT9-0001L/R	4	Interlock Assembly, Type "HD" (Page# 351)

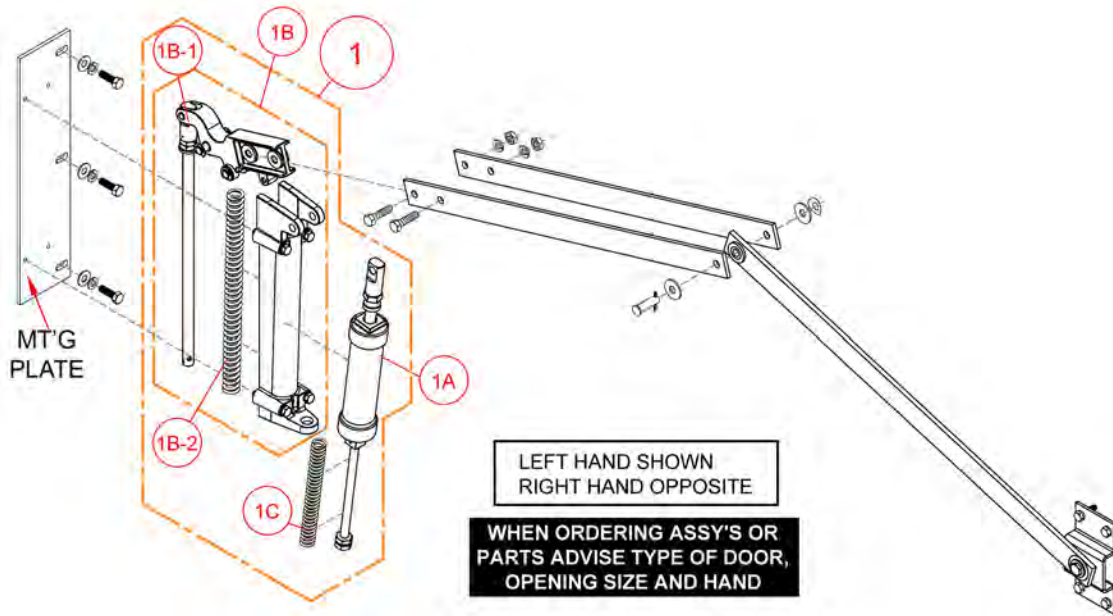
Mounting hardware included.

DOOR EQUIPMENT

Manual Equipment Isometric Drawing

Broken Arm Closer

Single Speed (22"-144" D.O.)



Manual Closer Equipments

Part No.	Item No	Description
CL1-0004N	1	Arm & Housing Assembly, S/S BAC (Page# 323)
OC-0001N	1A	Oil Check, OC-500-A S/S & 2/SP Broken Arm Closer (Page# 327)
CL1-0008N	1B	Housing Assembly, S/S Broken Arm Closer Rocker (Page# 323)

Part No.	Item No	Description
CL1-0007N	1B-1	Rocker Arm Assembly, BAC & SAC (Page# 324)
SPG-0052N	1B-2	Spring, 11" Lg X 13/16" OD-0.135 Wire- 42 Turns (Page# 324)
SPG-0045N	1C	Spring, 6" Lg X 11/16" OD-0.105 Wire- 28 Turns (Page# 325)

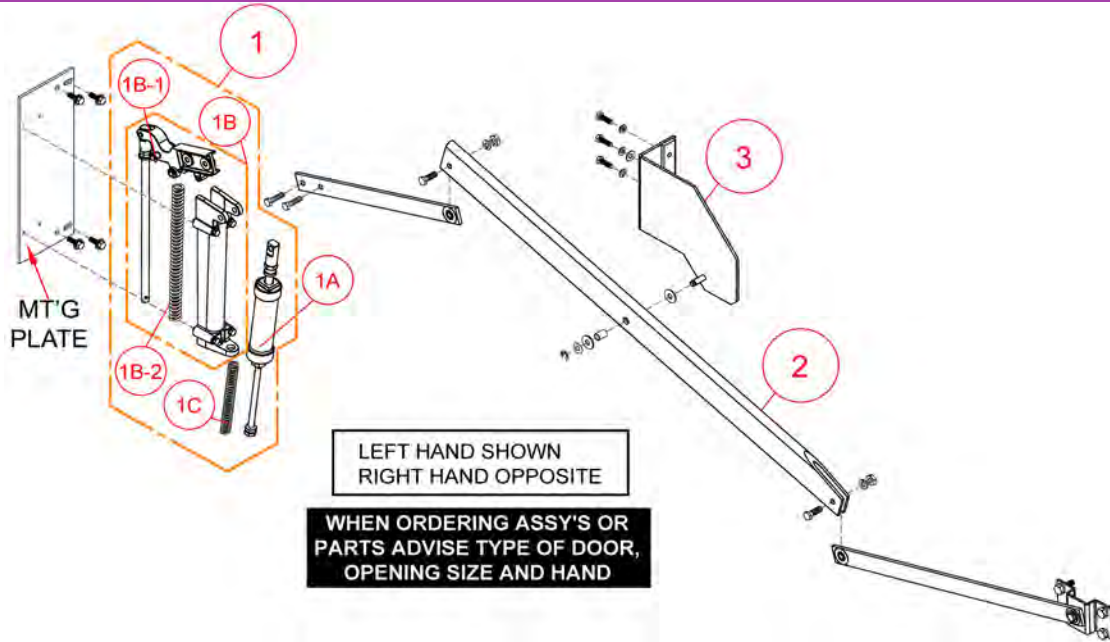
Mounting hardware included.

DOOR EQUIPMENT

Manual Equipment Isometric Drawing

Broken Arm Closer

Two Speed (22"-120" D.O.)



Manual Closer
Equipments

Two Speed (22"-35" D.O.)

Part No.	Item No	Description
CL1-0004N	1	Arm & Housing Assembly, S/S BAC (Page# 323)
OC-0001N	1A	Oil Check, OC-500-A S/S & 2/SP Broken Arm Closer (Page# 327)
CL1-0008N	1B	Housing Assembly, S/S Broken Arm Closer Rocker With .135-Wire Spring (Page# 323)
CL1-0007N	1B-1	Rocker Arm Assembly, BAC & SAC (Page# 324)
SPG-0052N	1B-2	Spring, 11" Lg X 13/16" OD-0.135 Wire- 42 Turns (Page# 324)
SPG-0045N	1C	Spring, 6" Lg X 11/16" OD-0.105 Wire- 28 Turns (Page# 325)
CL2-0006N	2	Arm, 2/SP Broken Arm Closer Intermediate (Page# 323)
CL2-0004L/R	3	Bracket Assembly, 2/SP SAC & BAC Slow Door (Page# 323)

Two Speed (36"-51" D.O.)

Part No.	Item No	Description
CL2-0009N	1	Arm & Housing Assembly, 2/SP BAC 36"-51" D.O. (Page# 323)
OC-0001N	1A	Oil Check, OC-500-A S/S & 2/SP Broken Arm Closer (Page# 327)
CL2-0011N	1B	Housing Assembly, 2/SP SAC/ BAC With .148-Wire Spring (Page# 323)
CL1-0007N	1B-1	Rocker Arm Assembly, BAC & SAC (Page# 324)
SPG-0057N	1B-2	Spring, 12 3/4" Lg X 13/16" OD-0.148 Wire- 42 Turns (Page# 324)
SPG-0045N	1C	Spring, 6" Lg X 11/16" OD-0.105 Wire- 28 Turns (Page# 325)
CL2-0006N	2	Arm, 2/SP Broken Arm Closer Intermediate (Page# 323)
CL2-0004L/R	3	Bracket Assembly, 2/SP SAC & BAC Slow Door (Page# 323)

Two Speed (52"-120" D.O.)

Part No.	Item No	Description
CL2-0010N	1	Arm & Housing Assembly, 2/SP BAC 52"-120" D.O. (Page# 323)
OC-0001N	1A	Oil Check, OC-500-A S/S & 2/SP Broken Arm Closer (Page# 327)
CL2-0012N	1B	Housing Assembly, 2/SP SAC/ BAC With .155-Wire Spring (Page# 323)
CL1-0007N	1B-1	Rocker Arm Assembly, BAC & SAC (Page# 324)

Part No.	Item No	Description
SPG-0059N	1B-2	Spring, 12 3/4" Lg X 17/32" OD-0.155 Wire- 42 Turns (Page# 324)
SPG-0049N	1C	Spring, 6" Lg X 11/16" OD-0.120 Wire- 28 Turns (Page# 325)
CL2-0006N	2	Arm, 2/SP Broken Arm Closer Intermediate (Page# 323)
CL2-0004L/R	3	Bracket Assembly, 2/SP SAC & BAC Slow Door (Page# 323)

Mounting hardware included.

DOOR EQUIPMENT

Manual Hatch Equipment

Broken Arm Closers

Field Survey is REQUIRED with all Broken Arm Closer orders.

Conventional

Single Speed



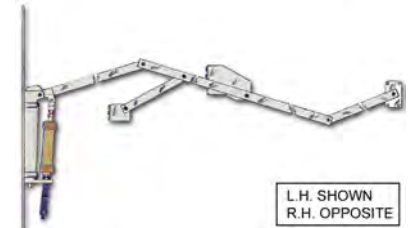
Part No.	List Price
CL1-0001L/R*	\$447.00

Two Speed



Part No.	2/SP	List Price
CL2-0001L/R*	22"-35"	\$524.00
CL2-0002L/R*	36"-51"	\$524.00
CL2-0003L/R*	52" & UP	\$524.00

Three Speed



Part No.	List Price
CL9-0001L/R*	\$740.00

Water Resistant

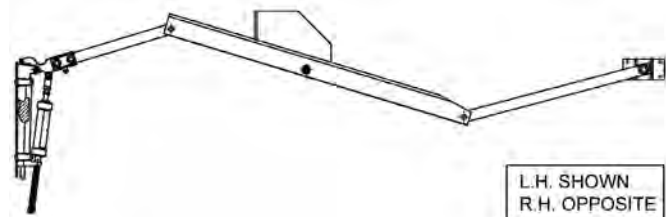
Note: All Ferrous Material Yellow Zinc Dichromate Plated

Single Speed



Part No.	List Price
CL1-0017L/R*	\$872.00

Two Speed



Part No.	List Price
CL2-0015L/R*	\$949.00

Straight Arm Closers

Conventional

- Field Survey is REQUIRED with all straight arm closer orders.
- Straight arm closers come with "HD" Interlock and mounting plate.

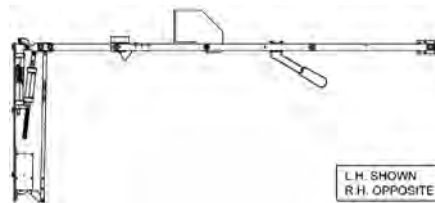
Note: Straight arm closers are not available for water resistant conditions.

Single Speed



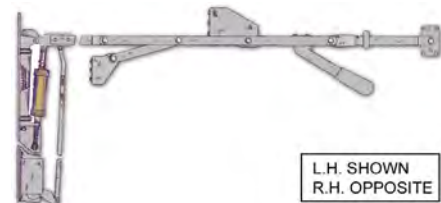
Part No.	List Price
CL3-0001L/R*	\$771.00

Two Speed



Part No.	2/SP	List Price
CL4-0001L/R*	22"-42"	\$848.00
CL4-0002L/R*	43" & UP	\$848.00

Three Speed



Part No.	List Price
CL9-0002L/R*	\$1,064.00

Manual Closer
Equipments

DOOR EQUIPMENT

Manual Hatch Equipment

Arms & Bracket

CL2-0006N*



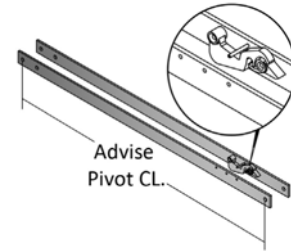
Arm, 2/SP B.A.C. Intermediate Aluminum (Advise Pivot C.L. Dimension)
List Price: \$111.00

CL3-0002L/R*



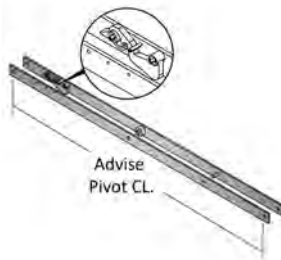
Arm Assembly, S/S S.A.C. Bracket & Front (Advise Pivot C.L. Dimension)
List Price: \$128.00

CL3-0003N*



Arm Assembly, S/S S.A.C. Rear (Advise Pivot C.L. Dimension)
List Price: \$134.00

CL4-0003N*



Arm Assembly, 2/SP S.A.C. Intermediate (Advise Pivot C.L. Dimension)
List Price: \$134.00

CL2-0004L/R*



Bracket Assembly, 2/SP B.A.C. & S.A.C. Slow Door (Advise Dimension)
List Price: \$74.00

Manual Closer
Equipments

Housing Assemblies and Parts

Broken Arm Closers & Straight Arm Closers

Arm & Housing Assembly With Oil Check



Housing Assembly



Part No.	Description	List Price
CL1-0004N	S/S, B.A.C.	\$430.00
CL2-0009N	2/SP, B.A.C. 36"-51" D.O.	\$430.00
CL2-0010N	2/SP, B.A.C. 52"-120" D.O.	\$430.00
CL3-0005N	S/S, S.A.C.	\$430.00
CL4-0008N	2/SP, S.A.C. 22"-42" D.O.	\$430.00
CL4-0009N	2/SP, S.A.C. 42"-120" D.O.	\$430.00

Part No.	Description	List Price
CL1-0008N	S/S, B.A.C. Rocker	\$154.00
CL3-0006N	S/S, S.A.C. Rocker	\$199.00
CL2-0011N	2/SP, S.A.C. 22"-42" D.O. & 2/SP, B.A.C. 36"-51" D.O. Rocker	\$199.00
CL2-0012N	2/SP, S.A.C. 43"-120" D.O. & 2/SP, B.A.C. 52"-120" D.O. Rocker	\$199.00

DOOR EQUIPMENT

Manual Hatch Equipment

Housing Assemblies and Parts

Broken Arm Closers & Straight Arm Closers

Arm Assembly



Part No.	Description	List Price
CL1-0007N	B.A.C. & S.A.C. Rocker (Advise Dimension)	\$81.00

Springs, Oil Check, & Closer (For B.A.C., S.A.C., Car & Gate Closers)



B.A.C. & S.A.C.
Closer Spring



B.A.C. & S.A.C.
Oil Check Spring



Car & Gate Closer
Check Spring

Note: No Part #
Cut 1" Off SPG-0045N
(5" x 11/16" x .105)

Closer Springs For B.A.C.

Conventional

Part No.	S/S	2/SP	Description	List Price
SPG-0052N	22"-UP	22"-35"	Spring, 11" LG x 13/16" OD-0.148 Wire- 36 Turns	\$18.60
SPG-0057N		36"-51"	Spring, 12 3/4" LG x 13/16" OD-0.148 Wire- 42 Turns	\$18.60
SPG-0059N		52"-UP	Spring, 12 3/4" LG x 17/32" OD-0.155 Wire- 42 Turns Music Wire	\$18.60

Water Resistant

Part No.	S/S	2/SP	Description	List Price
SPG-0053N	22"-UP	22"-35"	Spring, 11" LG x 13/16" OD-0.148 Wire- 36 Turns ST. ST'L	\$37.00
SPG-0056N		36"-51"	Spring, 12 3/4" LG x 13/16" OD-0.148 Wire- 42 Turns ST. ST'L	\$37.00
SPG-0058N		52"-UP	Spring, 12 3/4" LG x 27/32" OD-0.155 Wire- 42 Turns ST. ST'L	\$37.00

Closer Springs For S.A.C.

Conventional

Part No.	S/S	2/SP	Description	List Price
SPG-0055N	22"-UP		Spring, 11" LG x 13/16" OD-0.148 Wire- 36 Turns	\$18.60
SPG-0057N		22"-42"	Spring, 12 3/4" LG x 13/16" OD-0.148 Wire- 42 Turns	\$18.60
SPG-0059N		43"-UP	Spring, 12 3/4" LG x 17/32" OD-0.155 Wire- 42 Turns Music Wire	\$18.60

Water Resistant

Part No.	S/S	2/SP	Description	List Price
SPG-0054N	22"-UP		Spring, 11" LG x 13/16" OD-0.148 Wire- 36 Turns ST. ST'L	\$37.00
SPG-0056N		22"-42"	Spring, 12 3/4" LG x 13/16" OD-0.148 Wire- 42 Turns ST. ST'L	\$37.00
SPG-0058N		43"-UP	Spring, 12 3/4" LG x 27/32" OD-0.155 Wire- 42 Turns ST. ST'L	\$37.00

DOOR EQUIPMENT

Manual Hatch Equipment

B.A.C. & S.A.C. Oil Check & Closer Springs

Oil Check Springs For B.A.C.

Conventional					Water Resistant				
Part No.	S/S	2/SP	Description	List Price	Part No.	S/S	2/SP	Description	List Price
SPG-0045N	22"-UP	22"-35" 36"-51"	Spring, 6" LG x 11/16" OD-0.105 Wire- 28 Turns	\$4.80	SPG-0044N	22"-UP	22"-35" 36"-51"	Spring, 6" LG x 5/8" OD-0.105 Wire- 28 Turns ST. ST'L	\$12.40
SPG-0049N		52"-UP	Spring, 6" LG x 11/16" OD-0.120 Wire- 28 Turns	\$4.80	SPG-0048N		52"-UP	Spring, 6" LG x 11/16" OD-0.120 Wire- 28 Turns ST. ST'L	\$12.40

Oil Check Springs For S.A.C.

Conventional					Water Resistant				
Part No.	S/S	2/SP	Description	List Price	Part No.	S/S	2/SP	Description	List Price
SPG-0045N	22"-UP	22"-42"	Spring, 6" LG x 11/16" OD-0.105 Wire- 28 Turns	\$4.80	SPG-0044N	22"-UP	22"-42"	Spring, 6" LG x 5/8" OD-0.105 Wire- 28 Turns ST. ST'L	\$12.40
SPG-0049N		43"-UP	Spring, 6" LG x 11/16" OD-0.120 Wire- 28 Turns	\$4.80	SPG-0048N		43"-UP	Spring, 6" LG x 11/16" OD-0.120 Wire- 28 Turns ST. ST'L	\$12.40

Manual Closer
Equipments

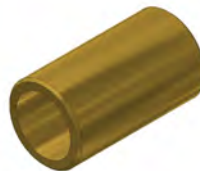
Hardware

CL1-0010N



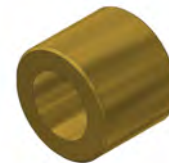
Bolt Assembly, B.A.C. & S.A.C. Bracket Pivot
List Price: \$1.60

HWBS-0028N



Bushing, B.A.C., .5 OD x .375 ID x .875 LG
Bronze, Sleeve - 7/8" LG.
List Price: \$6.20

HWBS-0031N

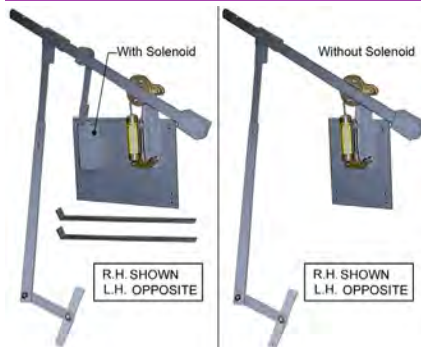


Bushing, S.A.C., .625 OD x .375 ID x .5LG Bronze,
Sleeve - 1/2" LG.
List Price: \$6.20

Manual Car Equipment

Collapsible Gate Closers

Conventional



Note: To order manual gate or car door closer arms, contact G.A.L. sales or engineering for information. A field survey is required regarding opening size, hand, type of doors, and center lines of pivot points.

Part No.	Description	List Price
CL8-0001L/R*	Closer, 110/220 VAC, Collapsing Gate With Solenoid Release*, With 12" X 21" Mounting Plate	\$1,386.00
CL8-0002L/R*	Closer, Collapsing Gate Without Solenoid Release*, With 12" X 8 1/4" Mounting Plate	\$1,078.00

DOOR EQUIPMENT

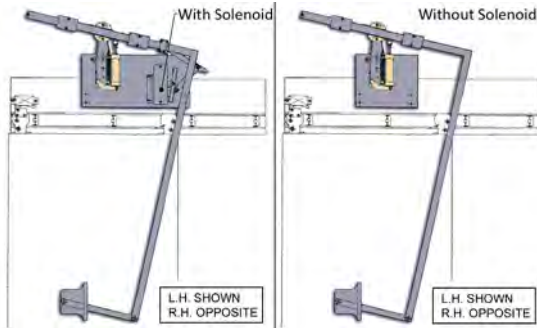
Manual Car Equipment

Car Door Closers

Conventional

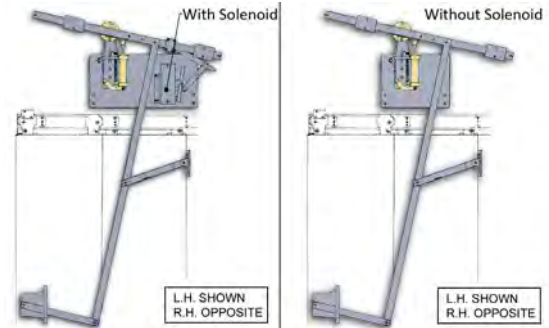
Note: To order manual gate or car door closer arms, contact G.A.L. sales or engineering for information. A field survey is required regarding opening size, hand, type of doors, and center lines of pivot points.

Single Speed



Part No.	Description	List Price
CL10-0001L/R*	Closer, S/S Manual Car With Solenoid Release, 110/220 VAC	\$1,386.00
CL10-0003L/R*	Closer, S/S Manual Car Without Solenoid Release	\$1,078.00

Two Speed

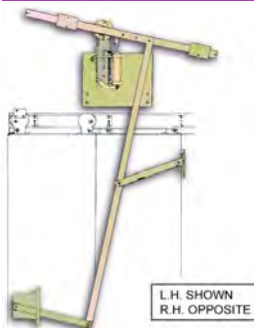


Part No.	Description	List Price
CL10-0002L/R*	Closer, 2/SP Manual Car With Solenoid Release, 110/220 VAC	\$1,386.00
CL10-0004L/R*	Closer, 2/SP Manual Car Without Solenoid Release	\$1,078.00

Manual Closer Equipments

Water Resistant - Two Speed

Note: All Ferrous Material Yellow Zinc Dichromate Plated



Part No.	Description	List Price
CL10-0005L/R*	Closer, Yellow Zinc Dichromate 2/SP Manual Car, Without Solenoid Release	\$2,041.00

Car Door & Collapsible Gates Closers

Solenoid Release Units & Links

CL8-0006L/R



Release Unit, Manual Gate Closer Solenoid, 120 V.A.C. Or 220 V.A.C.
List Price: \$308.00

CL8-0007L/R



Link, Solenoid Release Hold Open Upper
List Price: \$93.00

CL8-0008L/R



Link, Solenoid Release Hold Open Lower
List Price: \$56.00

DOOR EQUIPMENT

Manual Car Equipment

Car Door & Collapsible Gates Closers

Solenoid Release Units & Links

CL8-0016N



Link, Gate Closer
List Price: \$56.00

CL8-0010N



Pivot Plate Assembly, Manual Gate Closer
List Price: \$93.00

Brackets

CL8-0011N



Bracket, Manual Gate Closer Pivot
List Price: \$62.00

CL8-0013N



Bracket, Manual Gate Closer Adjustable Weight
List Price: \$124.00

CL8-0017L/R



Elbow Bracket, Manual Gate Closer Fix Weight
List Price: \$139.00

Manual Closer Equipments

Manual Hatch & Car Equipment

Oil Checks

Note: G.A.L. uses Mobil DTE#10 hydraulic oil in all our oil checks.

Broken Arm and Straight Arm Closers



Part No.	Item No	Description	List Price
OC-0001N	B.A.C.	Oil Check, OC-500-A, S/S & 2/SP Broken Arm Closer	\$231.00
OC-0002N	S.A.C.	Oil Check, OC-500-C, S/S & 2/SP Straight Arm Closer	\$231.00

Car Door & Collapsible Gates Closers

CL8-0026L/R



Bracket Assembly, Oil Check And (For Manual Gate And Car Door Closer)
List Price: \$493.00

OC-0005N



Oil Check, OC-502-B, S/S & 2/SP Manual Car & Gate Closer With Long Damping Valve
List Price: \$231.00

OC-0006N



Oil Check, OC-503, Replacement For Richard Wilcox Checks
List Price: \$231.00

OC-0008N



O-Ring, Oil Check Replacement Set For Car Door & Collapsible Gates Closers
List Price: \$9.40

GAL Interlocks

DOOR EQUIPMENT

TYPE	FUNCTION
• DM	— For double swing doors, used with retiring cam
• DM-MH	— For double swing doors, with mechanical hold, arranged for retiring cam
• HD	— For manual sliding door, used with manual straight arm closers
• K	— For manual sliding doors
• K1	— For manual swing doors
• K5	— For manual double swing doors
• MO Bar	— For manual sliding doors, with GAL track, S/S & 2/SP
• MOCP Bar	— For manual sliding C/P doors, with GAL track
• VR	— For manual vertical rising doors
• N	— For manual swing or sliding doors (replaced "M" locks), arranged for retiring cam
• NHA	— For manual swing or sliding doors, used for housing jobs, with retiring cam
• MO	— For master operation, powered doors, with MO single roller release
• MOCP	— For master operation, C/P opening doors, with vertical MOM roller release
• MOCPH	— For master operation, C/P doors, with horizontal MOH roller release
• MOH	— For master operation, S/S-2/SP-3/SP doors, with horizontal MOH roller release
• MOM	— For master operation, S/S-2/SP-3/SP doors, with vertical roller release
• MOCPH10	— For glass door, master operation, C/P doors
• MOH10	— For glass door, master operation S/S-2/SP-C/P doors
• MO10	— For special OTIS arrangement
• MOHRD10	— For round elevator, master operation, with MOH roller release
• MOXH	— For master operation, S/S-2/SP doors, with MOH roller release, explosion resistant
• WX	— Manual swing or sliding doors, explosion resistant, used with retiring cam
• MOX-CP-RC	— Master operation, C/P doors, dust/explosion resistant, arranged for retiring cam
• MOX-RC	— Master Operation, S/S-2/SP doors, dust/explosion resistant, arranged for retiring cam
• MOCPHA	— Master operation C/P doors, with MOH roller release, vandal resistant w/ shield
• MOHA	— Master operation S/S-2/SP doors, with MOH roller release, vandal resistant w/ shield
• MOWH	— Master operation S/S-2/SP-C/P doors, with MOH roller release, water resistant
• WP	— Manual swing or sliding doors, used with retiring cam
• MOW-CP-RC	— Manual C/P sliding doors, arranged for retiring cam, water resistant
• MOW-RC	— Manual S/S-2/SP sliding doors, arranged for retiring cam, water resistant

INTERLOCK ASSEMBLIES 328-362

- ### INTERLOCK ACCESSORIES
- Emergency Key Box
 - Transfer Linkage
 - Pit Interlock Access
 - Jampers, Keys, Reinforcement Plates Etc.
- 363-368

MOUNTING ANGLES, BRACKET & PLATES 369-371

"MO" & "K" BARS & BRACKET ASSEMBLIES 372

LATCH & CAM PARTS 373-375

CONTACTS, COVERS, KEEPERS, & ROLLER RELEASE ASSEMBLIES 375-381

ROLLERS, ROLLER ARM ASSEMBLIES, & SHAFT SUPPORTS 382-386

SWITCH ASSEMBLIES 387-389

SHAFTS & SHAFT CODES 390-391

MANUAL LOCK SHAFTS & SHAFT CODES 390-391

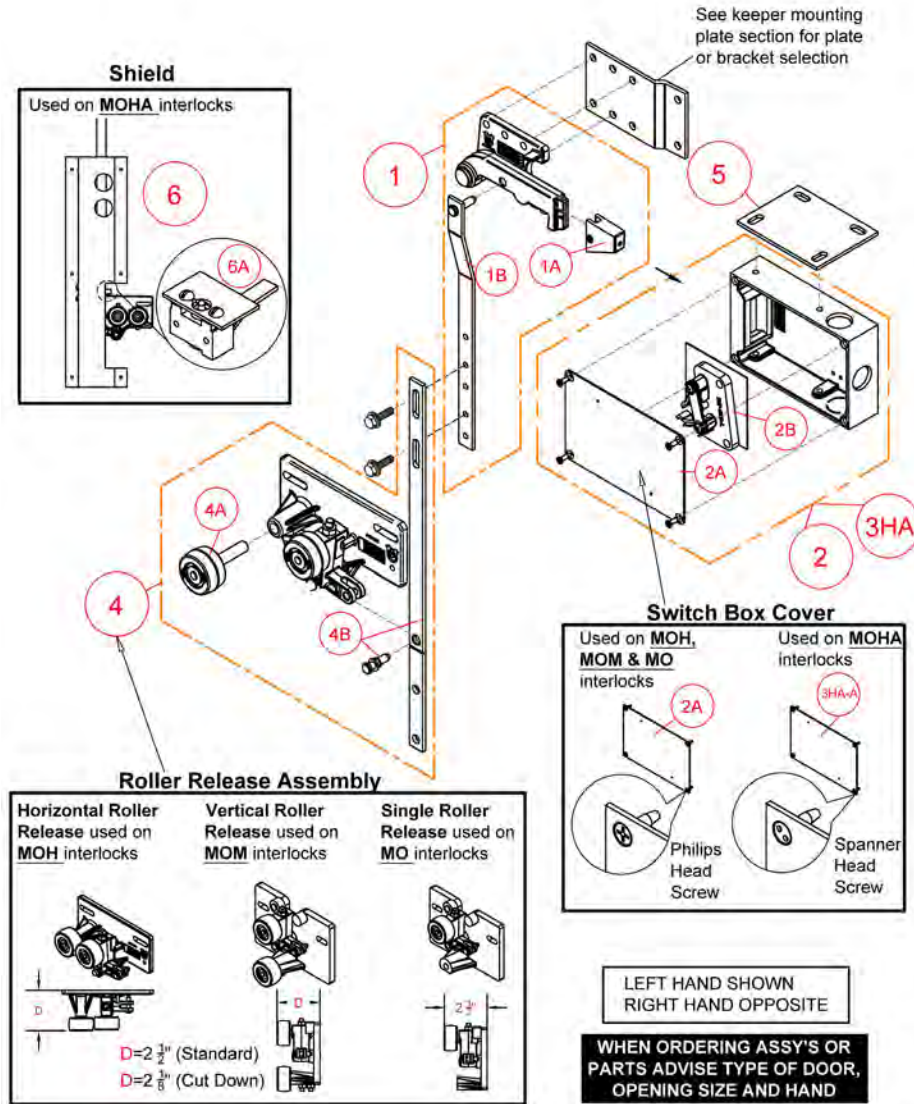
HARDWARE 391-394

DOOR EQUIPMENT

Interlock Isometric Drawing

TYPE: "MOH", "MOHA", "MOM", "MO"

Sliding Door (Conventional/Vandal Resistant)



Interlock Assemblies

Part No.	Item No	Description
INT1H-0016L/R	1	Keeper Assembly, MO Interlock (Page# 380)
INT1H-0017N	1A	Contact, MO Keeper Bridging (Page# 376)
INT1H-0018N	1B	Link, Upper MO Interlock Assembly (Page# 384)
INT1H-0013L/R	2	Switch Assembly, MO Interlock (Page# 387)
INT1H-0014N	2A	Cover, MO Interlock (Page# 378)
INT1H-0024L/R	2B	Contact Base, MO Interlock (Page# 377)
INT1H-0036L	1A/2B	Contact Kit, "MO-KT" (Page# 375)
INT1H-0126L/R	3HA	Switch Assembly, MOHA Interlock (Page# 388)

Part No.	Item No	Description
INT1H-0127N	3HA-A	Cover, MOHA Interlock (Page# 379)
INT1X-XXXXX	4	Roller Release Assembly (Page# 382-383)
INT1H-0023N	4A	Roller & Shaft, MO Interlock (Page# 386)
INT1H-XXXXX	4B	Link, MO Interlock Lower (Page# 383-385)
INT1H-0031N	5	Plate, Switch Track Mounting 2" CL (Page# 370)
INT1H-XXXXX	6	Shield, MOHA (Page# 385)
INT1H-0128L/R	6A	Emergency Unlocking Device, MOHA (Page# 385)

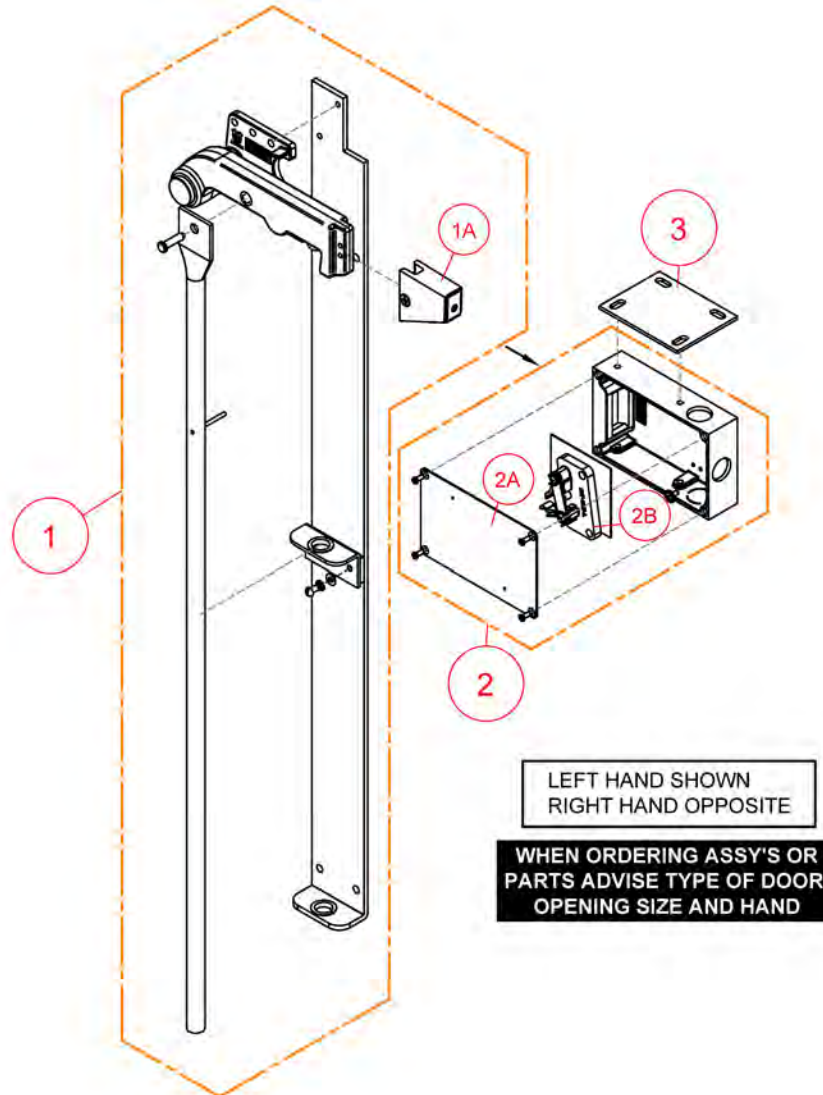
Mounting hardware included.

DOOR EQUIPMENT

Interlock Isometric Drawing

TYPE: "MO" Bar Lock

Manual Sliding Door



Interlock Assemblies

Part No.	Item No	Description
INT1H-0131L/R	1	MO Bar and Keeper Assembly (Page# 372)
INT1H-0017N	1A	Contact, MO Keeper Bridging (Page# 376)
INT1H-0013L/R	2	Switch Assembly, MO (Page# 387)
INT1H-0014N	2A	Cover, MO (Page# 378)

Mounting hardware included.

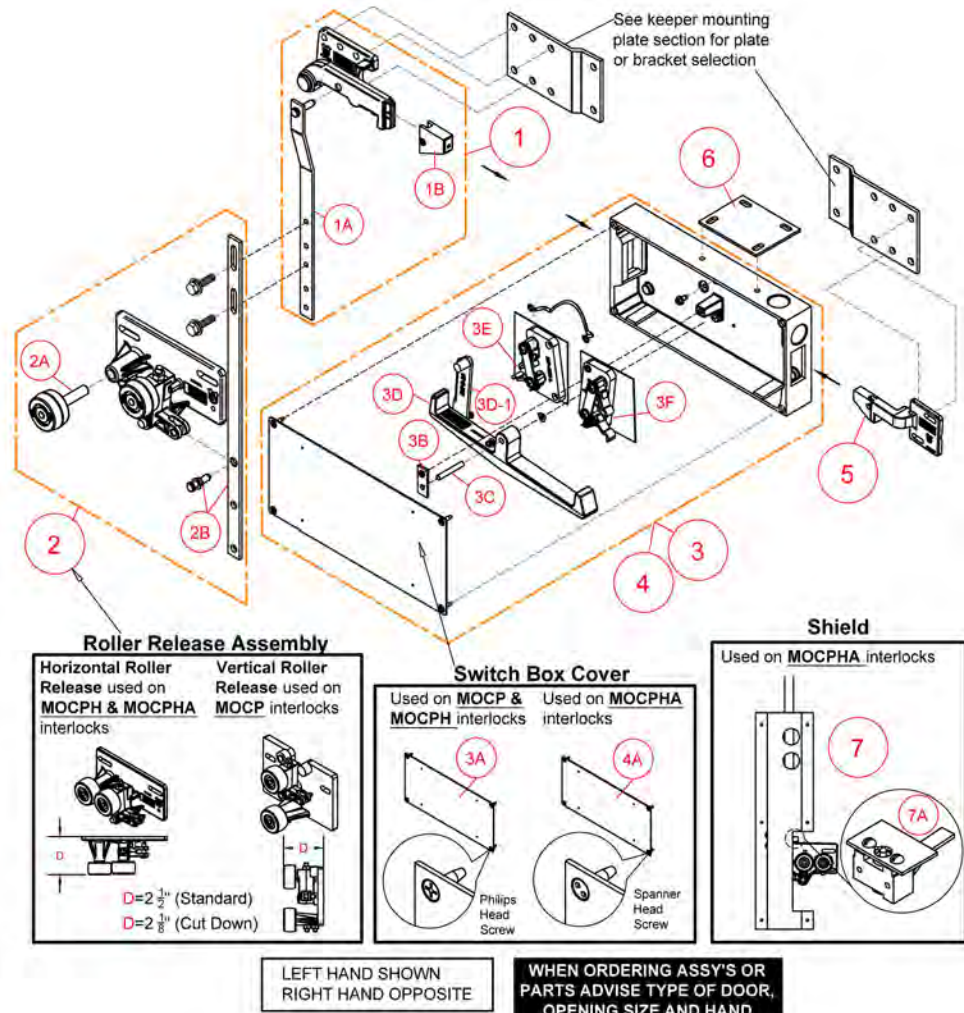
Part No.	Item No	Description
INT1H-0024L/R	2B	Contact Base, MO (Page# 377)
INT1H-0031N	3	Plate, Switch Track Mounted (Page# 370)
INT1H-0036L	1A/2B	Contact Kit, "MO-KT" (Page# 375)

DOOR EQUIPMENT

Interlock Isometric Drawing

TYPE: "MOCP", "MOCPH", "MOCPHA"

Sliding Door - Center Parting (Conventional/Vandal Resistant)



Interlock Assemblies

Part No.	Item No	Description
INT1H-0016L/R	1	Keeper Assembly, MO Interlock (Page# 380)
INT1H-0018N	1A	Link, Upper MO Interlock (Page# 384)
INT1H-0017N	1B	Contact, MO Keeper Bridging (Page# 376)
INT1X-XXXXX	2	Roller Release Assembly (Page# 382-383)
INT1H-0023N	2A	Roller & Shaft, MO Interlock (Page# 386)
INT1H-XXXXX	2B	Link, MO Interlock Lower (Page# 383-385)
INT2H-0007N	3	Switch Assembly, MOCP Interlock (Page# 387)
INT2H-0022N	4	Switch Assembly, MOCPHA Interlock (Page# 387)
INT2H-0008N	3A	Cover, MOCP Interlock (Page# 379)
INT2H-0023N	4A	Cover, MOCPHA Interlock With Spanner Screw (Page# 379)
INT2H-0011N	3B	Plate, MOCP Rocker Arm With Screw (Page# 388)

Part No.	Item No	Description
PIN-0046N	3C	Pin, 3/16" X 1 5/16" Clear Nylon (Call G.A.L.)
INT2H-0010N	3D	Arm, MOCP Rocker Assembly (Page# 388)
INT2H-0024N	3D-1	Cam, MOCP Rocker Arm Lift up (Page# 388)
INT1H-0024L/R	3E	Contact Base, MO Interlock (Page# 377)
INT2H-0018R	3F	Contact Base, MOCP Interlock (Page# 377)
INT2H-0015N	5	Keeper Fixed, MOCP Interlock (Page# 380)
INT1H-0031N	6	Plate, Switch Track Mounting 2" CL (Page# 370)
INT1H-XXXXX	7	Shield, MOHA (Page# 385)
INT1H-0128L/R	7A	Emergency Unlocking Device, "MOHA" (Page# 385)
INT1H-0036L	1B/3E	Contact Kit, "MO-KT" (Page# 375)
INT2H-0017R	1B/3F	Contact Kit, "MOCP-KT" See page 375)

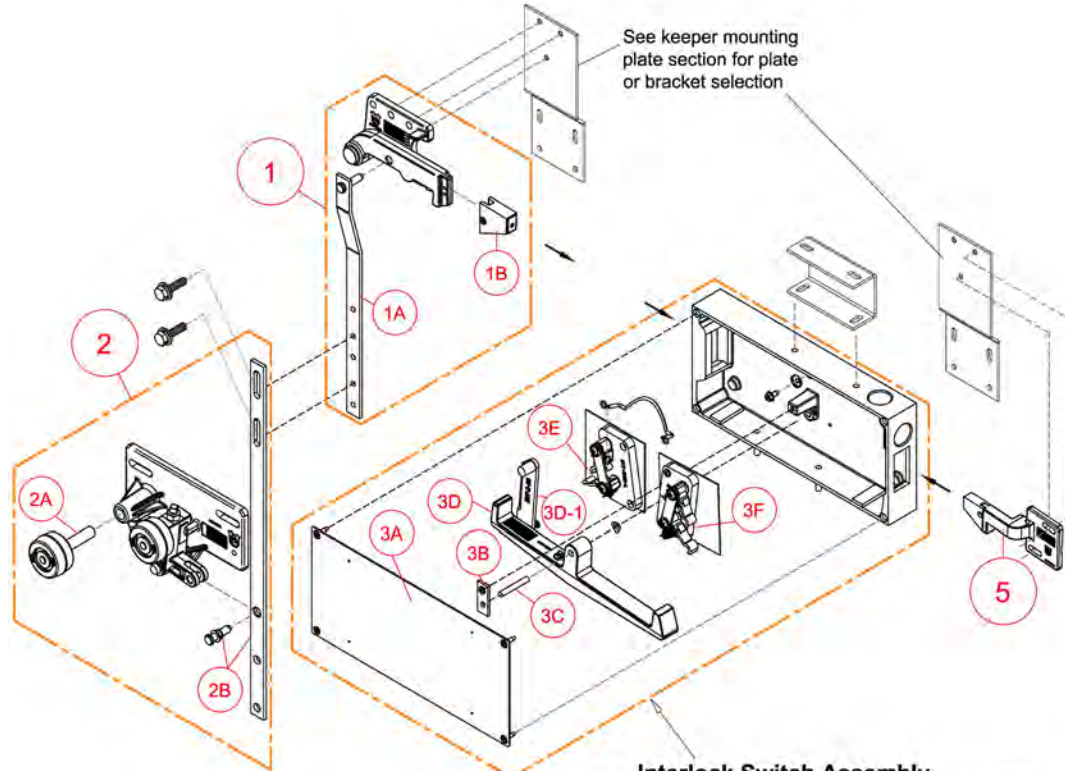
Mounting hardware included.

DOOR EQUIPMENT

Interlock Isometric Drawing

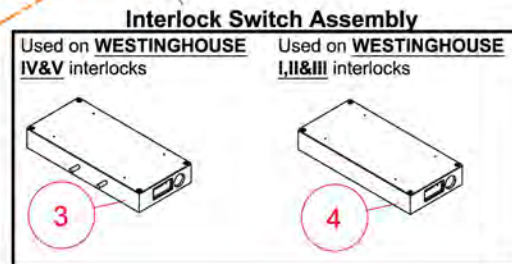
TYPE: "MOCPH"

Sliding Door - Center Parting (Westinghouse Replacement)



LEFT HAND SHOWN
RIGHT HAND OPPOSITE

WHEN ORDERING ASSY'S OR PARTS ADVISE TYPE OF DOOR, OPENING SIZE AND HAND



Part No.	Item No	Description
INT1H-0016L/R	1	Keeper Assembly, MO Interlock (Page# 380)
INT1H-0018N	1A	Link, Upper MO Interlock (Page# 384)
INT1H-0017N	1B	Contact, MO Keeper Bridging (Page# 376)
INT1H-0022L/R	2	Release Roller Assembly, MOH B Link, Horizontal Releases (Page# 382)
INT1H-0023N	2A	Roller & Shaft, MO Interlock (Page# 386)
INT1H-0026N	2B	Link, Lower "B" MO Interlock Assembly-18 3/4", 18 3/4" Lg X 1/2" Wd X 1/8" Thk (Page# 383)
INT2H-0051N	3	Switch, MOCPC Interlock Westinghouse IV & V (Page# 207)
INT2H-0008N	3A	Cover, MOCPC Interlock (Page# 379)
INT2H-0011N	3B	Plate, MOCPC Rocker Arm With Screw (Page# 388)

Part No.	Item No	Description
PIN-0046N	3C	Pin, 3/16" X 1 5/16" Clear Nylon (Call G.A.L.)
INT2H-0010N	3D	Arm, MOCPC Rocker Assembly (Page# 388)
INT2H-0024N	3D-1	Cam, MOCPC Rocker Arm Lift up (Page# 388)
INT1H-0024L/R	3E	Contact Base, MO Interlock (Page# 377)
INT2H-0018R	3F	Contact Base, MOCPC Interlock (Page# 377)
INT2H-0007N	4	Switch Assembly, MOCPC Interlock (Page# 387)
INT2H-0015N	5	Keeper Fixed, MOCPC Interlock (Page# 380)
INT1H-0036L	1B/3E	Contact Kit, "MO-KT" (Page# 375)
INT2H-0017R	1B/3F	Contact Kit, "MOCPC-KT" (Page# 375)

Mounting hardware included.

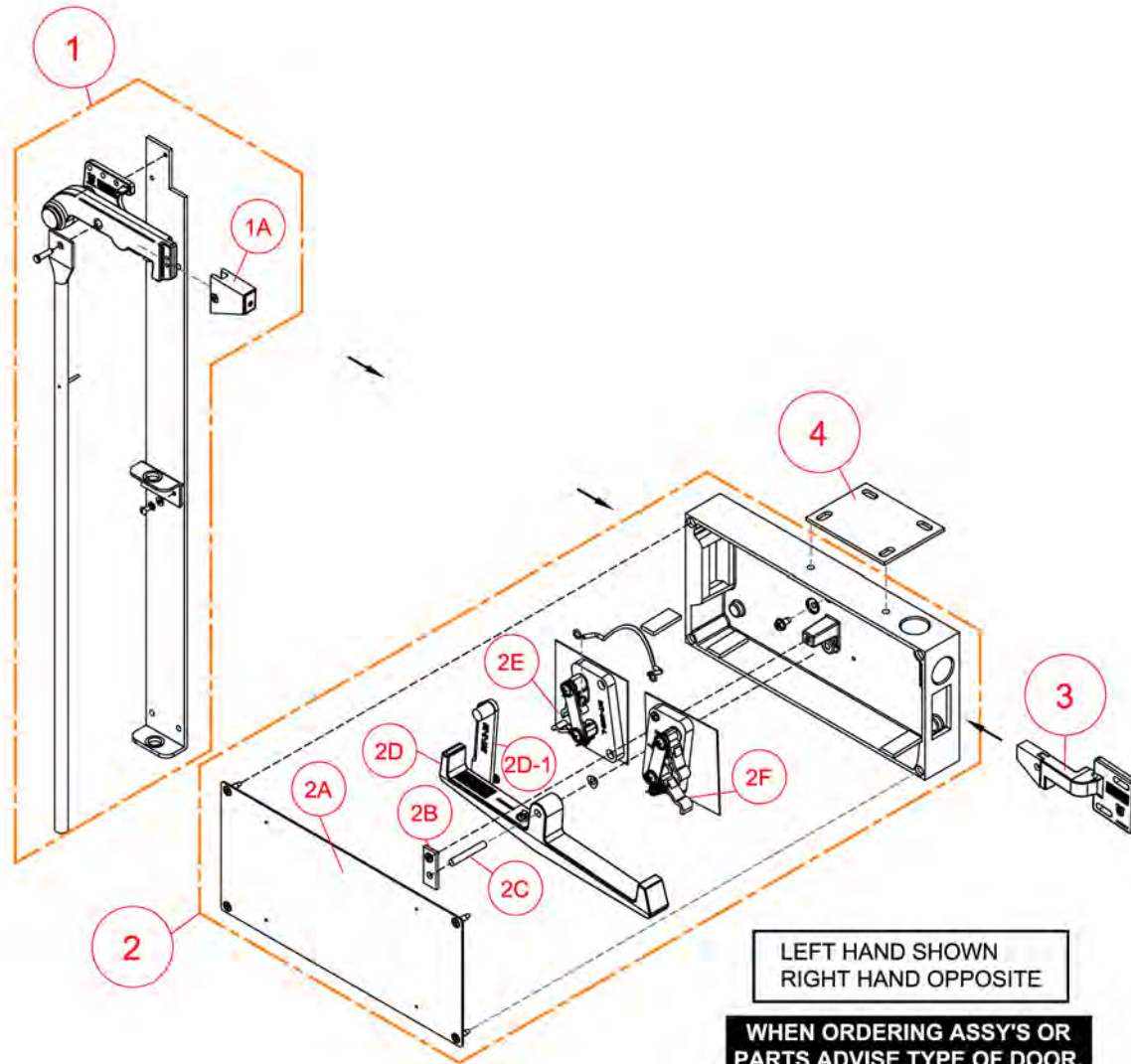
Interlock Assemblies

DOOR EQUIPMENT

Interlock Isometric Drawing

TYPE: "MOCP" Bar Lock

Sliding Door - Manual Center Parting



Interlock Assemblies

Part No.	Item No	Description
INT1H-0131L/R	1	MO Bar and Keeper Assembly (Page# 372)
INT1H-0017N	1A	Contact, MO Keeper Bridging (Page# 376)
INT2H-0007N	2	Switch Assembly, MOCP (Page# 387)
INT2H-0008N	2A	Cover, MOCP (Page# 379)
INT2H-0011N	2B	Plate, MOCP Rocker Arm With Screw (Page# 388)
PIN-0046N	2C	Pin, 3/16" X 1 5/16" Clear Nylon (Call G.A.L.)
INT2H-0010N	2D	Arm, MOCP Rocker Assembly (Page# 388)

Mounting hardware included.

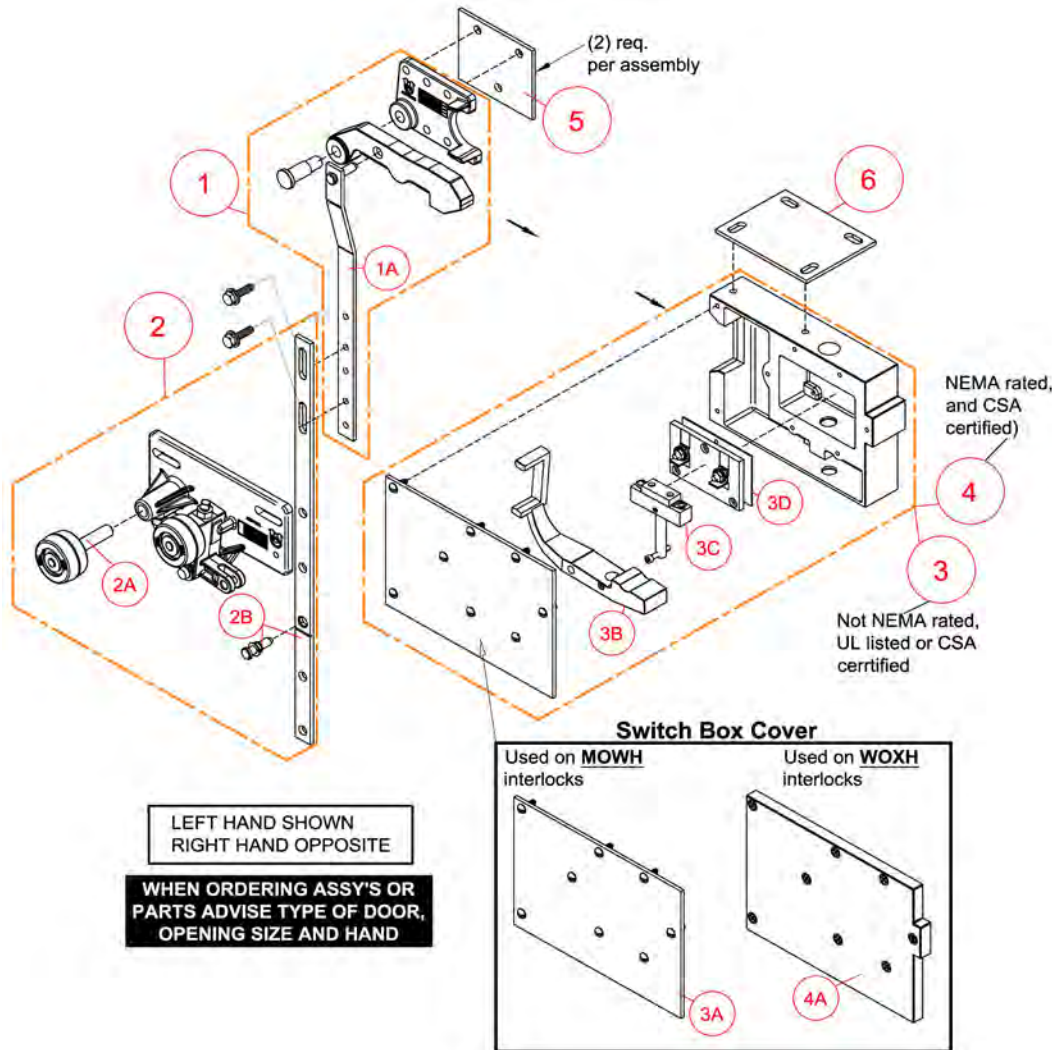
Part No.	Item No	Description
INT2H-0024N	2D-1	Cam, MOCP Rocker Arm Lift up (Page# 388)
INT1H-0024L/R	2E	Contact Base, MO Interlock (Page# 377)
INT2H-0018R	2F	Contact Base, MOCP Interlock (Page# 377)
INT2H-0015N	3	Keeper Fixed, MOCP Interlock (Page# 380)
INT1H-0031N	4	Plate, Switch Track Mounting 2" CL (Page# 370)
INT1H-0036L	1A/2E	Contact Kit, "MO-KT" (Page# 375)
INT2H-0017R	1A/2F	Contact Kit, "MOCP-KT" (Page# 375)

DOOR EQUIPMENT

Interlock Isometric Drawing

TYPE: "MOWH", "MOXH"

Sliding Door (Water & Explosion Resistant)



Interlock Assemblies

Part No.	Item No	Description
INT3-0011L/R	1	Keeper Assembly, MOW/MOX Interlock, Yellow Zinc Dichromate (Page# 381)
INT3-0018N	1A	Link, (Upper) MOW/MOX Yellow Zinc Dichromate (Page# 384)
INT3-XXXXX	2	MOWH/MOXH Roller Release Assembly (Page# 383)
INT3-0023N	2A	Roller & Shaft, MOW/MOX Interlock, Yellow Zinc Dichromate (Page# 386)
INT3-XXXXX	2B	Link, MOWH/MOXH Lower, Yellow Zinc Dichromate (Page# 384)
INT3W-0007L/R	3	Switch Assembly, MOX Interlock (Page# 388)
INT3X-0007L/R	4	Switch Assembly, MOW Interlock (Page# 388)

Part No.	Item No	Description
INT3W-0008L/R	3A	Cover, MOX Interlock (Page# 379)
INT3X-0008L/R	4A	Cover, MOW Interlock (Page# 379)
INT3-0024L/R	3B	Rocker, MOW-MOX Interlock Arm vv (Page# 388)
INT3-0010N	3C	Contact, MOW/MOX Bridging, Yellow Zinc Dichromate (Page# 376)
INT3-0009N	3D	Contact Base, MOW/MOX Interlock Assembly, Yellow Zinc Dichromate (Page# 377)
INT3-0020N	5	Spacer, MOW/MOX Interlock Keeper, Yellow Zinc Dichromate (Page# 386)
INT3-0021N	6	Plate, Switch Track Mounting 2" CL Plated, Yellow Zinc Dichromate (Page# 370)

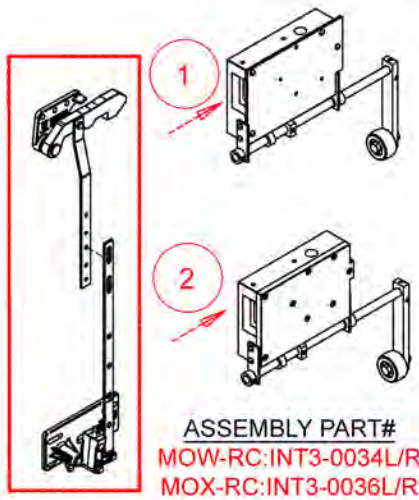
Mounting hardware included.

DOOR EQUIPMENT

Interlock Isometric Drawing

TYPE: "MOW-RC", "MOW-CP-RC", "MOX-RC", "MOX-CP-RC"

Sliding Door (Water & Explosion Resistant-Retiring Cam Activated)

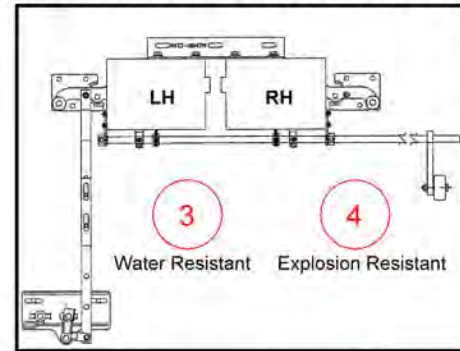


ASSEMBLY PART#
 MOW-RC:INT3-0034L/R
 MOX-RC:INT3-0036L/R

LEFT HAND SHOWN
 RIGHT HAND OPPOSITE

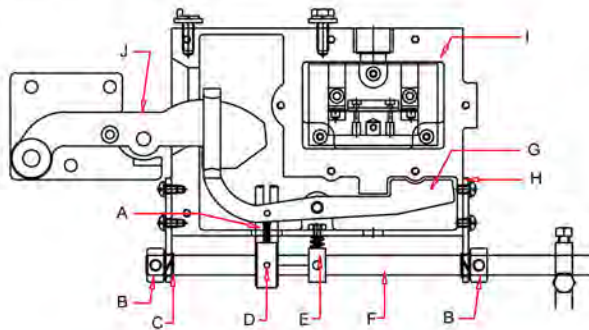
WHEN ORDERING ASSY'S OR
 PARTS ADVISE TYPE OF DOOR,
 OPENING SIZE AND HAND

C/P DOOR INTERLOCK ARRANGEMENT



ASSEMBLY PART#
 MOW-CP-RC:INT3-0035N*
 MOX-CP-RC:INT3-0037N*

MOW-RC / MOX-RC SWITCH



Item	Part No.	Description
A	INT3X-0011N	Plate,MOW/MOX Interlock Activating
	SPG-0050N	Spring,5/8" LG x .118 OD-.025 Wire
B	HDW-0364N	Collar,3/4 OD x .439 ID x 3/8 Br. Aluminum
C	HWBS-0018N	Bushing,Nyliner 1/2 ID type 7
D	HDW-0365N	Collar,1" OD x 7/16 ID x 7/16 Br. Aluminum
		Pin, 1/8" OD x 1" LG Roll
E		Collar,Aluminum Spring Return Seat
F	SHF-0173N	Shaft,7/16" DIA x 11 1/2" LG MOX/MOW
G	INT3-0024L/R	Rocker,MOW/WOX Interlock Arm
H	INT3X-0012N	Bracket,MOW/MOX Interlock Shaft Support
I	ACST-0092L/R	Box,MOW/MOX Interlock RC Activated
J	INT3-0044L/R	Keeper only,MOW/MOX Interlock

Part No.	Item No	Description
INT3-0034L/R	1	Interlock, MOW-RC Water Resistant Retiring Cam Activated (Not NEMA Rated, UL Listed or CSA Certified) (Page# 357)
INT3-0036L/R	2	Interlock, MOX-RC Explosion Resistant Retiring Cam Activated (NEMA Rated and UL Listed But Not CSA Certified) (Page# 356)

Part No.	Item No	Description
INT3-0035N	3	Interlock, MOW-CP-RC Water Resistant Retiring Cam Activated (Not NEMA Rated, UL Listed or CSA Certified) (Page# 357)
INT3-0037N	4	Interlock, MOX-CP-RC Explosion Resistant Retiring Cam Activated (NEMA Rated and UL Listed But Not CSA Certified) (Page# 356)

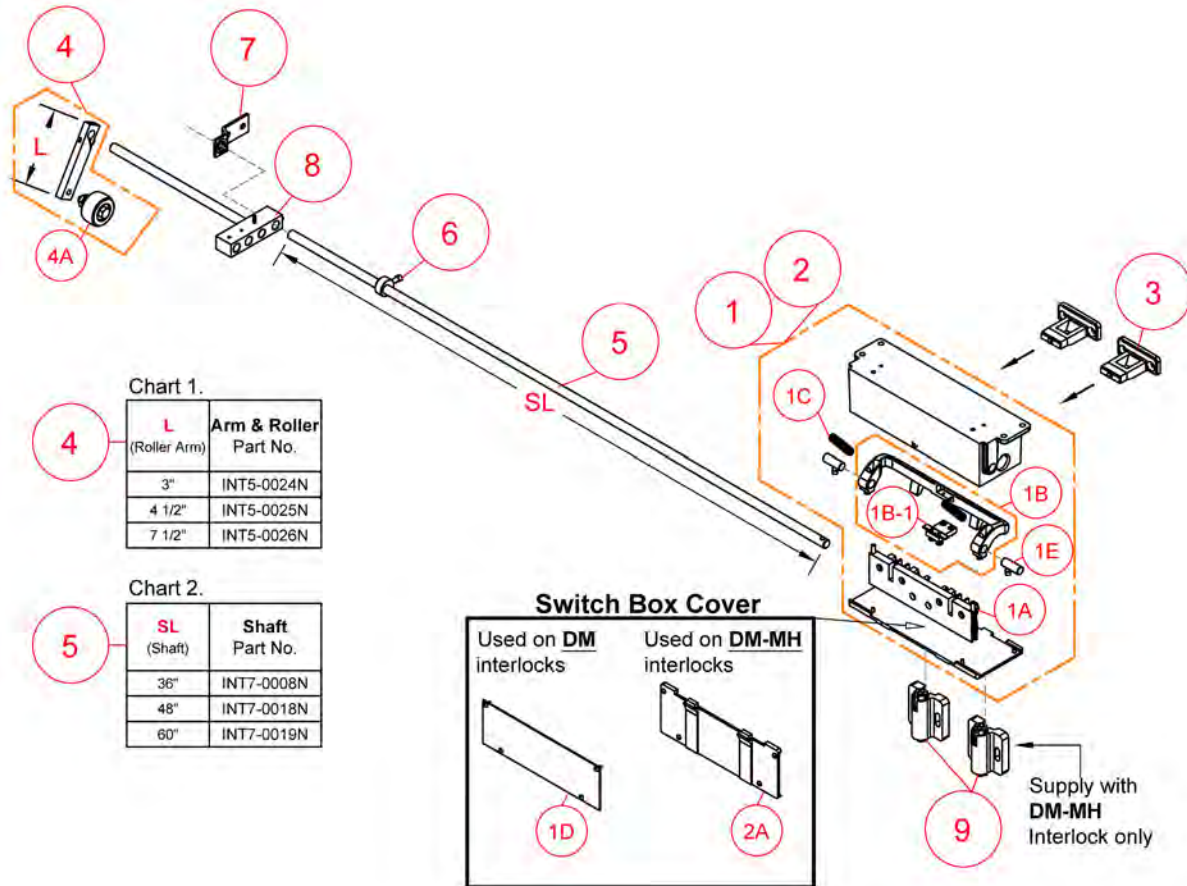
Mounting hardware included.

DOOR EQUIPMENT

Interlock Isometric Drawing

TYPE: "DM", "DM-MH" (w/ Mechanical Hold)

Double Swing Door - Retiring Cam Operation



Interlock Assemblies

Part No.	Item No	Description
INT7-0002N	1	Switch Assembly, DM Interlock (Page# 387)
INT7-0007N	1A	Contact Base, DM Interlock (Page# 377)
INT7-0004N	1B	Cam, DM Interlock Locking (Page# 373)
INT7-0006N	1B-1	Contact, DM Interlock Bridging (Page# 376)
SPG-0026N	1C	Spring, 1 7/8" Lg X 3/8" OD-0.043 Wire. (Call G.A.L.)
INT7-0003N	1D	Cover, DM Interlock (Page# 378)
INT7-0010N	1E	Shaft, DM Interlock 1 3/16" Lg Assembly (Page# 406)
INT7-0014N	2	Switch Assembly, DM-MH Interlock (Page# 387)
INT7-0015N	2A	Cover, DM-MH Interlock (Page# 378)

Part No.	Item No	Description
INT7-0012N	3	Keeper, DM Interlock (Page# 381)
SEE CHART 1	4	Arm & Roller (Page# 386)
INT5-0027N	4A	Roller & Bolt, Roller Arm (Page# 386)
SEE CHART 2	5	Shaft (Page# 406)
INT5-0028N	6	Clamp, Lock Emergency Unlocking Assembly (Page# 386)
INT7-0011N	7	Support, DM/SDM Interlock Shaft, Includes Nylon Bushing (Page# 386)
INT7-0009N	8	Shaft/Coupling, DM Interlock (Page# 391)
INT7-0016N	9	Latch, Mechanical Hold Snap (Page# 374)

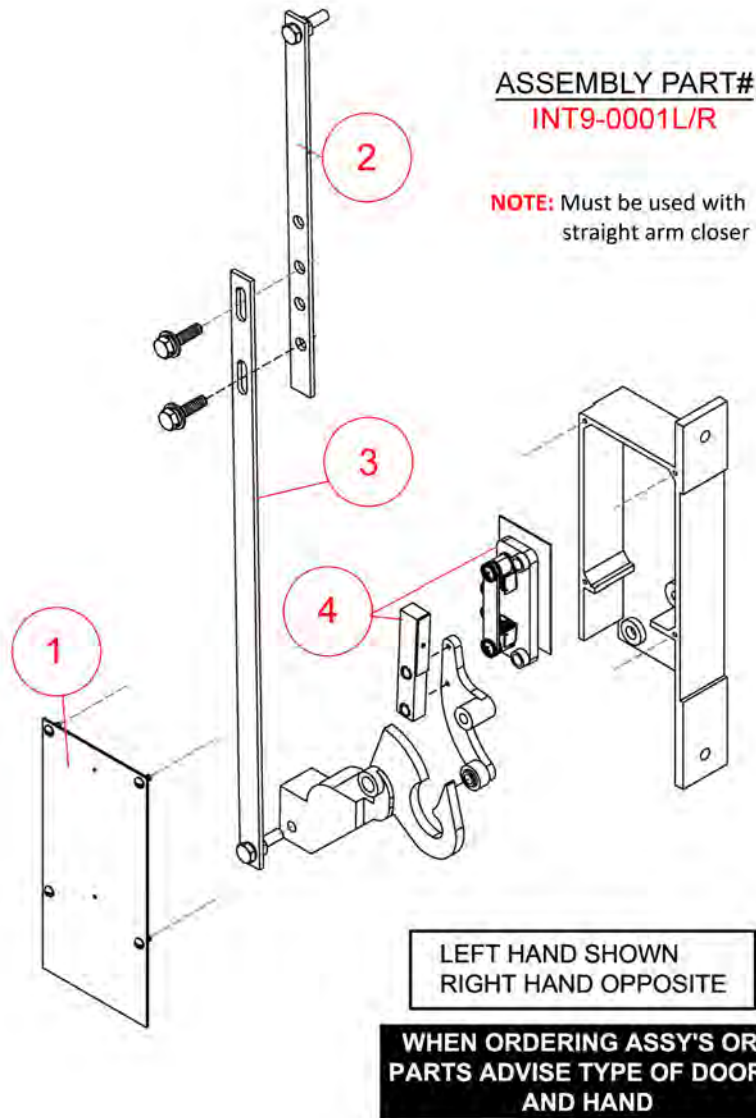
Mounting hardware included.

DOOR EQUIPMENT

Interlock Isometric Drawing

TYPE: "HD"

Sliding Door - For Straight Arm Closers



Part No.	Item No	Description
INT9-0003N	1	Cover, HD Interlock Assembly (Page# 378)
INT9-0005N	2	Link, HD Interlock Upper (Page# 384)

Part No.	Item No	Description
INT9-0006N	3	Link, HD Interlock Lower (Page# 384)
INT9-0004N	4	Contact Kit, HD Interlock (Page# 375)

Mounting hardware included.

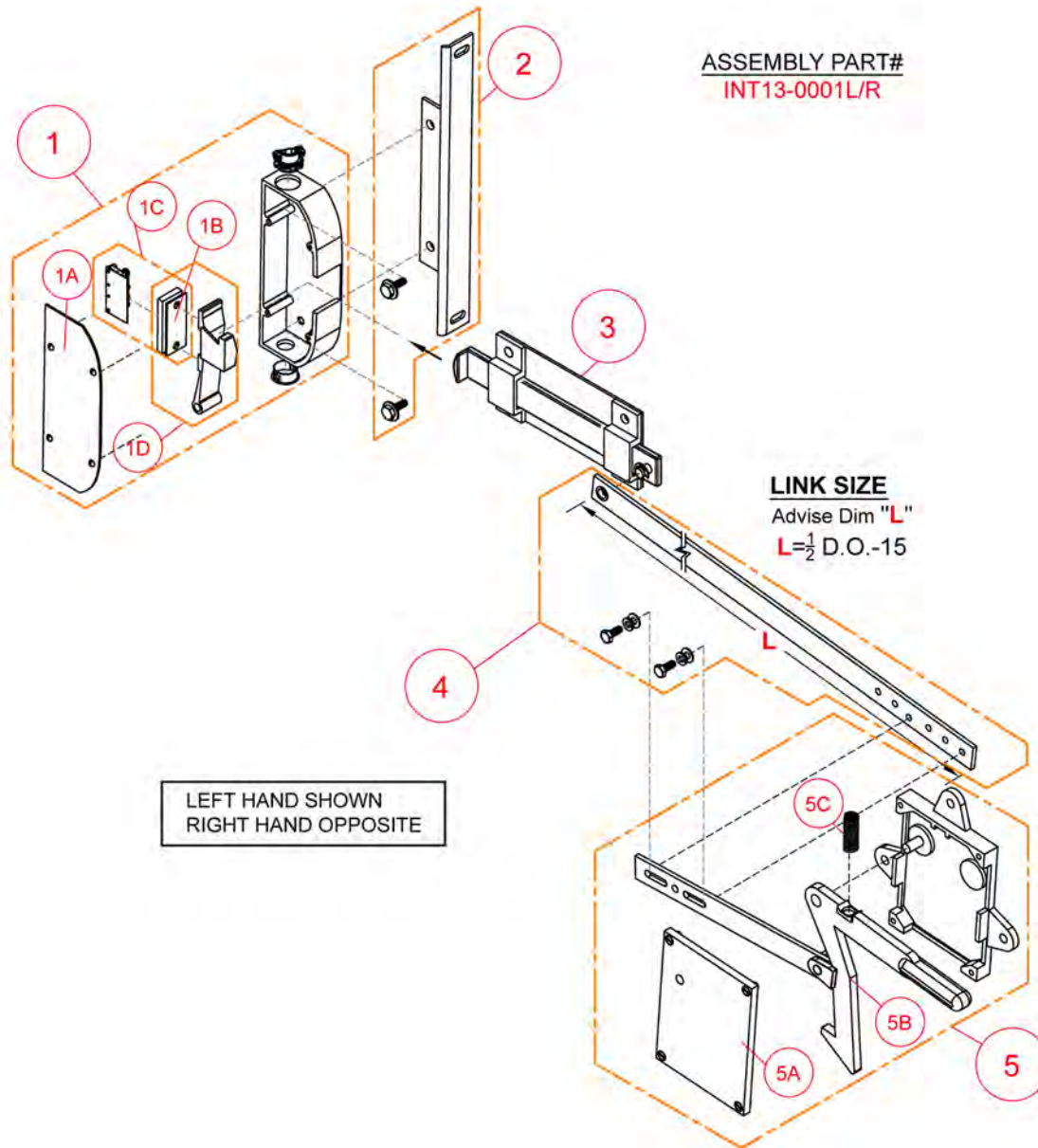
Interlock
Assemblies

DOOR EQUIPMENT

Interlock Isometric Drawing

TYPE: "VR"

Manual Vertical Rising Doors



Interlock Assemblies

Part No.	Item No	Description
INT13-0002L/R	1	Switch Assembly, VR Interlock (Page# 387)
INT13-0004N	1A	Cover, VR Interlock Assembly (Page# 379)
INT13-0007N	1B	Contact, VR Interlock Bridging Assembly (Page# 376)
INT13-0008N	1C	Contact Kit, VR Interlock (Page# 376)
INT13-0006L/R	1D	Cam Assembly, VR Interlock (Page# 373)
INT13-0003N	2	Angle, VR Interlock Mounting (Page# 369)

Part No.	Item No	Description
INT13-0005L/R	3	Locking Bolt Assembly, VR Interlock (Page# 374)
INT13-0012N	4	Link, VR Interlock Connecting (Page# 374)
INT13-0009L/R	5	Latch Assembly, VR Interlock (Page# 374)
INT13-0011L/R	5A	Cover, VR Interlock Latch (Page# 380)
INT13-0010N	5B	Latch, VR Interlock Center (Page# 374)
SPG-0075N	5C	Spring, 2" Lg X 15/32" OD-.067 Wire, 14 Turns (Page# 394)

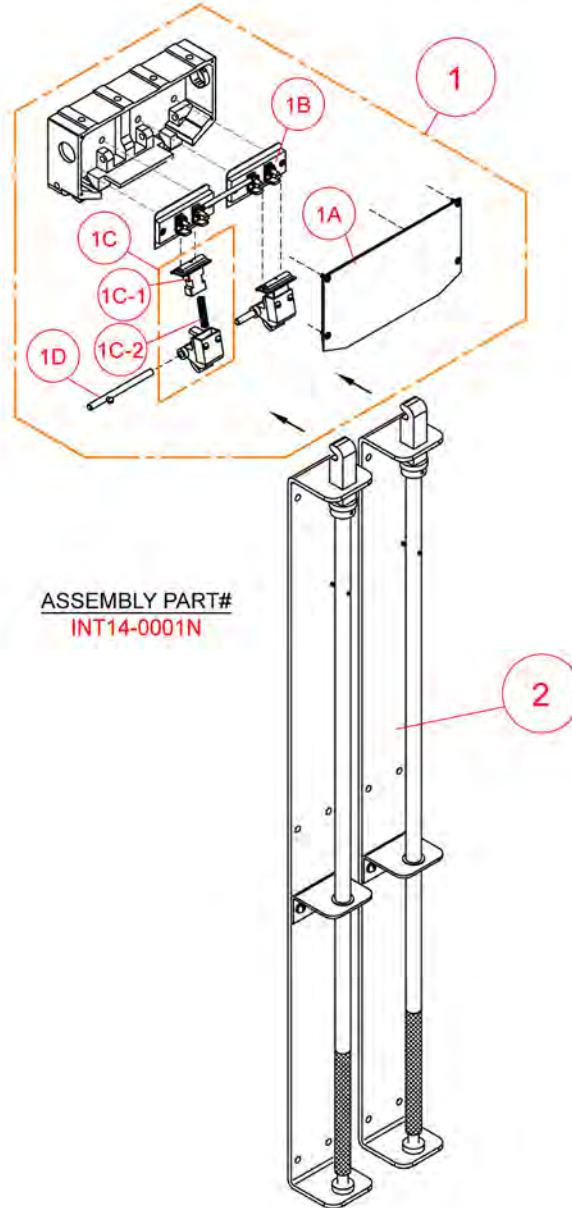
Mounting hardware included.

DOOR EQUIPMENT

Interlock Isometric Drawing

TYPE: "K5" (w/ Double Bar & Brackets)

Manual Double Swing Door



ASSEMBLY PART#
INT14-0001N

Interlock
Assemblies

Part No.	Item No	Description
INT14-0002N	1	Switch Assembly, K5 Interlock (Page# 387)
INT14-0003N	1A	Cover, K5 Interlock With Insulator (Page# 378)
SW11-0003N	1B	Contact Base, "K" Series (Page# 414)
INT16-0007N	1C	Cam Assembly, K1/K5 Interlock Contact (Page# 373)

Part No.	Item No	Description
SW11-0005N	1C-1	Contact, "K" Series Bridging (Page# 413)
SPG-0024N	1C-2	Spring, 1 1/4" Lg X 9/32" OD-0.030 Wire, 15 Turns Stainless Steel (Page# 418)
SW11-0006N	1D	Shaft, "K" Series Door Contact (Page# 406)
INT16-0009N	2	Bar, K1/K5 Interlock Bracket & Locking (Page# 372)

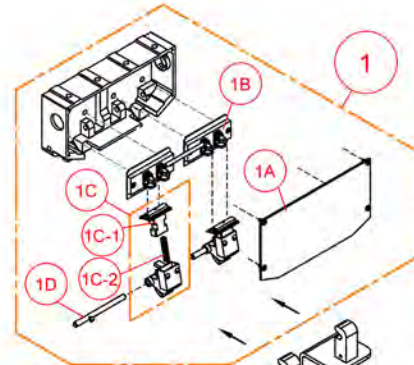
Mounting hardware included.

DOOR EQUIPMENT

Interlock Isometric Drawing

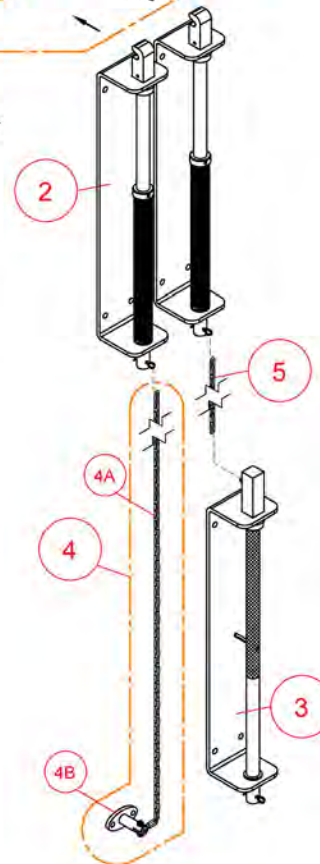
TYPE: "K5" (w/ Chain Bolt & Operating Bar)

Manual Double Swing Door



K5 INTERLOCK
With chain bolt & operating bar
for doors over 7'-0" high

ASSEMBLY PART#
INT15-0001N



Interlock Assemblies

Part No.	Item No	Description
INT14-0002N	1	Switch Assembly, K5 Interlock (Page# 387)
INT14-0003N	1A	Cover, K5 Interlock With Insulator (Page# 378)
SW11-0003N	1B	Contact Base, "K" Series (Page# 414)
INT16-0007N	1C	Cam Assembly, K1/K5 Interlock Contact (Page# 373)
SW11-0005N	1C-1	Contact, "K" Series Bridging (Page# 413)
SPG-0024N	1C-2	Spring, 1 1/4" Lg X 9/32" OD-0.030 Wire, 15 Turns Stainless Steel (Page# 418)

Part No.	Item No	Description
SW11-0006N	1D	Shaft, "K" Series Door (Page# 406)
INT15-0002N	2	Bar, K5 Interlock Upper (Page# 372)
INT15-0003N	3	Bar, K5 Interlock Lower (Page# 372)
INT15-0008N	4	Anchor Kit, K5 Interlock Chain (72" Chain) (Page# 372)
CHN-0014N	4A	Chain, K5 Interlock #2 end Welded Sash 72" Lg Copper Plated (Page# 373)
INT15-0007N	4B	Anchor, K5 Interlock Chain (Page# 372)
CHN-0013N	5	Chain, K5 Interlock #2 end Welded Sash 36" Lg Copper Plated (Page# 373)

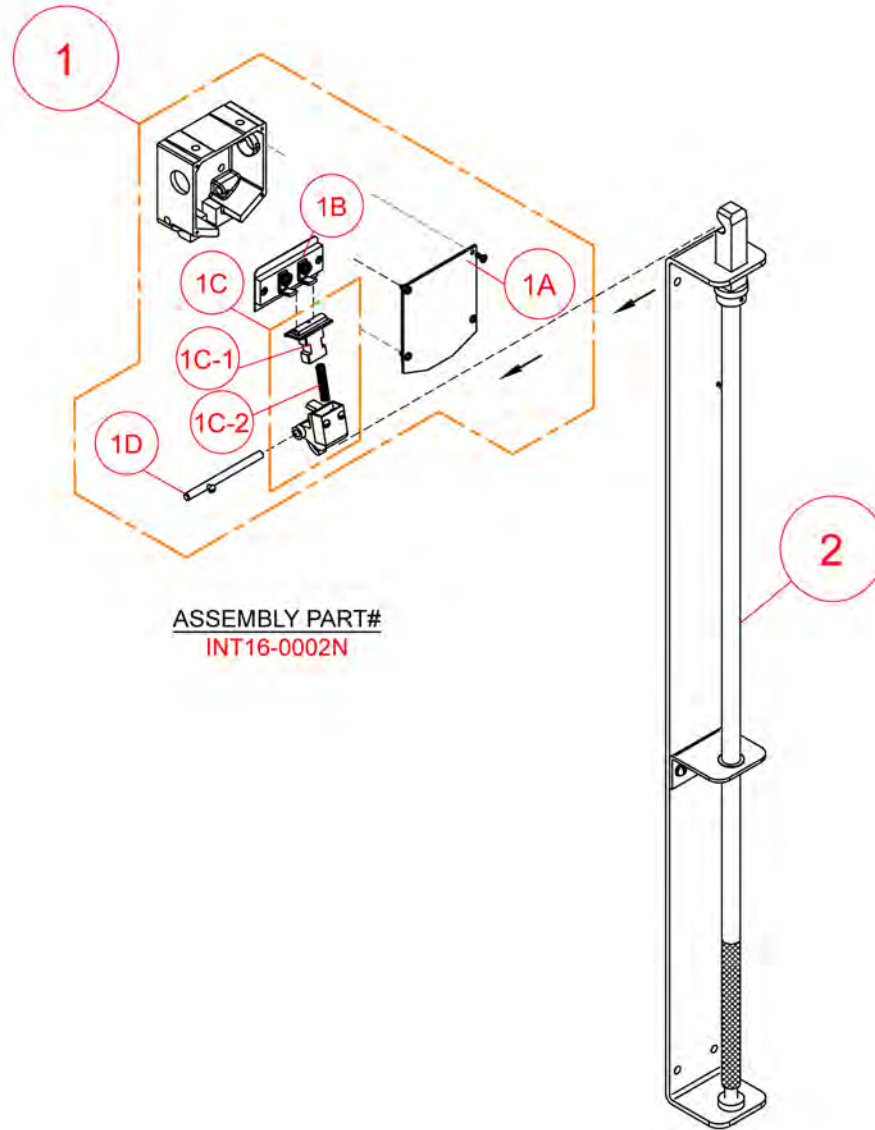
Mounting hardware included.

DOOR EQUIPMENT

Interlock Isometric Drawing

TYPE: "K" (w/ Bar & Bracket)

Manual Sliding Door



Interlock
Assemblies

Part No.	Item No	Description
INT16-0004N	1	Switch Assembly, K Interlock (Sliding Doors) (Page# 387)
INT16-0006N	1A	Cover, K Switch Assembly (Page# 378)
SW11-0003N	1B	Contact Base, "K" Series (Page# 414)
INT16-0008N	1C	Cam, K Interlock Contact (Sliding Doors) (Page# 373)

Mounting hardware included.

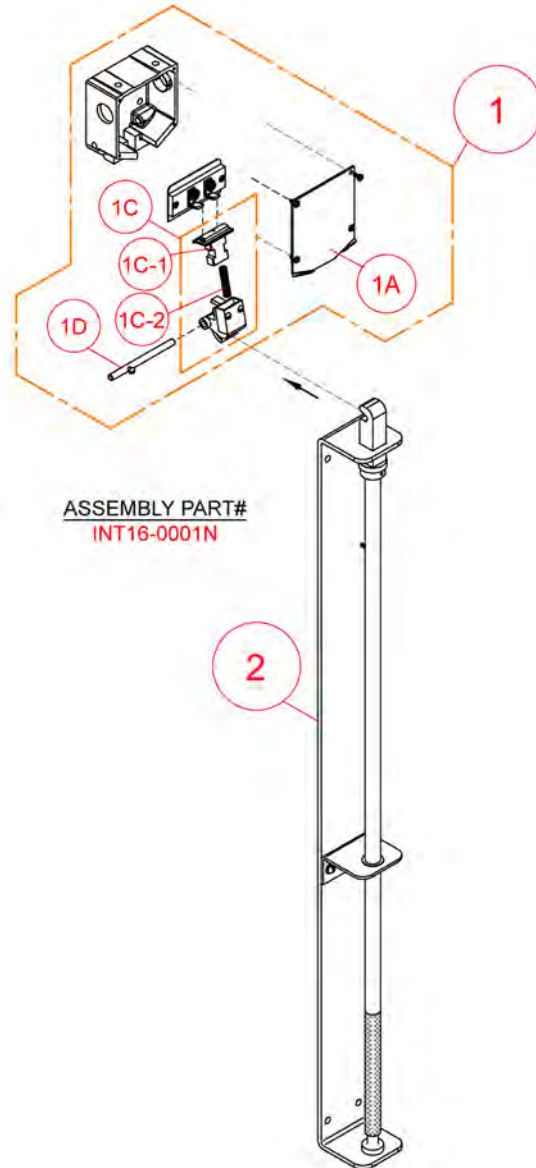
Part No.	Item No	Description
SW11-0005N	1C-1	Contact, "K" Series Bridging Contact (Page# 413)
SPG-0024N	1C-2	Spring, 1 1/4" Lg X 9/32" OD-0.030 Wire, 15 Turns Stainless Steel (Page# 418)
SW11-0006N	1D	Shaft, "K" Series Door Contact (Page# 406)
INT16-0010N	2	Bar, K Interlock Locking(Sliding Doors) (Page# 372)

DOOR EQUIPMENT

Interlock Isometric Drawing

TYPE: "K-1" (w/ Bar & Bracket)

Manual Swing Door



ASSEMBLY PART#
INT16-0001N

Interlock Assemblies

Part No.	Item No	Description
INT16-0003N	1	Switch Assembly, K1 Interlock (Swing Doors) (Page# 387)
INT16-0005N	1A	Cover, K1 Switch Assembly (Page# 378)
SW11-0003N	1B	Contact Base, "K" Series (Page# 414)
INT16-0007N	1C	Cam, K1/K5 Interlock Contact (Swing Doors) (Page# 373)

Part No.	Item No	Description
SW11-0005N	1C-1	Contact, "K" Series Bridging (Page# 413)
SPG-0024N	1C-2	Spring, 1 1/4" Lg X 9/32" OD-0.030 Wire, 15 Turns Stainless Steel (Page# 418)
SW11-0006N	1D	Shaft, "K" Series Switch (Page# 406)
INT16-0009N	2	Bar, K1/K5 Locking(Swing Doors) (Page# 372)

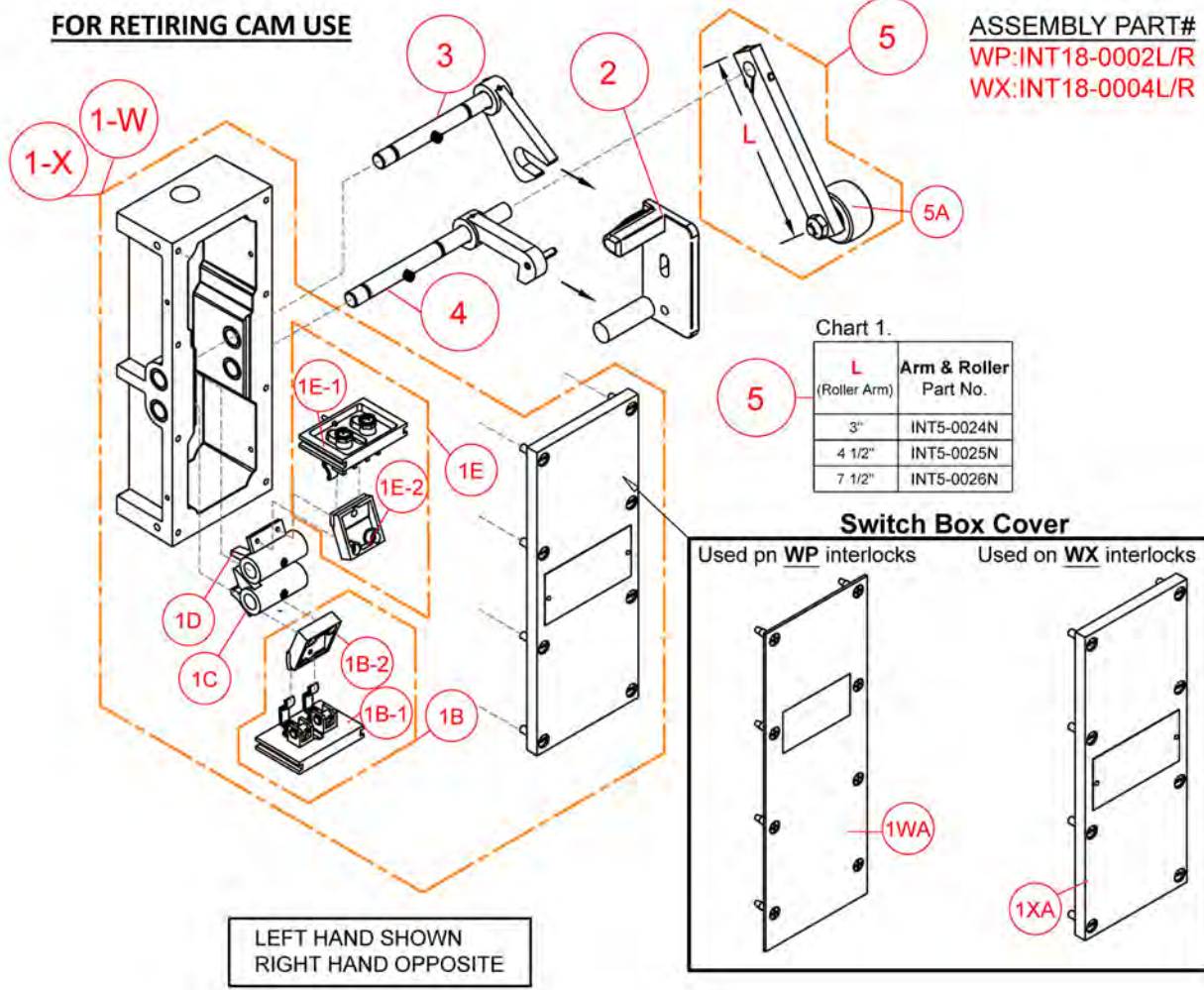
Mounting hardware included.

DOOR EQUIPMENT

Interlock Isometric Drawing

TYPE: "WX", "WP"

Manual Sliding Door (Water & Explosion Resistant)



Interlock Assemblies

Part No.	Item No	Description
INT18-0008L/R	1-X	Switch Assembly, WX Explosion Slide (Not NEMA Rated, UL Listed or CSA Certified) (Page# 388)
INT18-0010N	1XA	Cover, 3/8" WX Interlock With Hardware (Page# 380)
INT18-0006L/R	1-W	Switch Assembly, WP Moisture Slide (NEMA Rated and CSA Certified) (Page# 388)
INT18-0009N	1WA	Cover, 1/8" WP Interlock With Gasket & Hardware (Page# 380)
INT18-0013N	1B	Contact Kit, WP/WX Door (Page# 376)
INT18-0014N	1B-1	Contact Base, WP/WX Door (Page# 377)
INT5-0015N	1B-2	Contact, WP/WX Interlock Bridging (Page# 375 or 413)
INT18-0021N	1C	Cam, WP/WX Door Contact (Page# 374)
INT18-0020N	1D	Cam, WP/WX Retiring Cam Contact (Page# 374)
	1E-1	Contact Base, WP/WX Retiring Cam (Page# 377)
	1E-2	Contact, M/N/NHA Cam Bridging (Page# 376)

Part No.	Item No	Description
INT18-0011N	1E	Contact Kit, WP/WX Retiring Cam (Page# 376)
INT18-0012N	1E-1	Contact Base, WP/WX Retiring Cam (Page# 377)
INT5-0018N	1E-2	Contact, M/N/NHA Cam Bridging (Page# 376)
INT18-0019L/R	2	Keeper, WP/WX Interlock Sliding (Page# 381)
INT18-0025L/R	3	Latch, WP/WX Sliding Door (Page# 375)
INT18-0024L/R	4	Cam, WP/WX Sliding Door Forked (Page# 375)
SEE CHART 1	5	Arm & Roller (Page# 386)
INT5-0027N	5A	Roller & Bolt, Roller Arm (Page# 386)

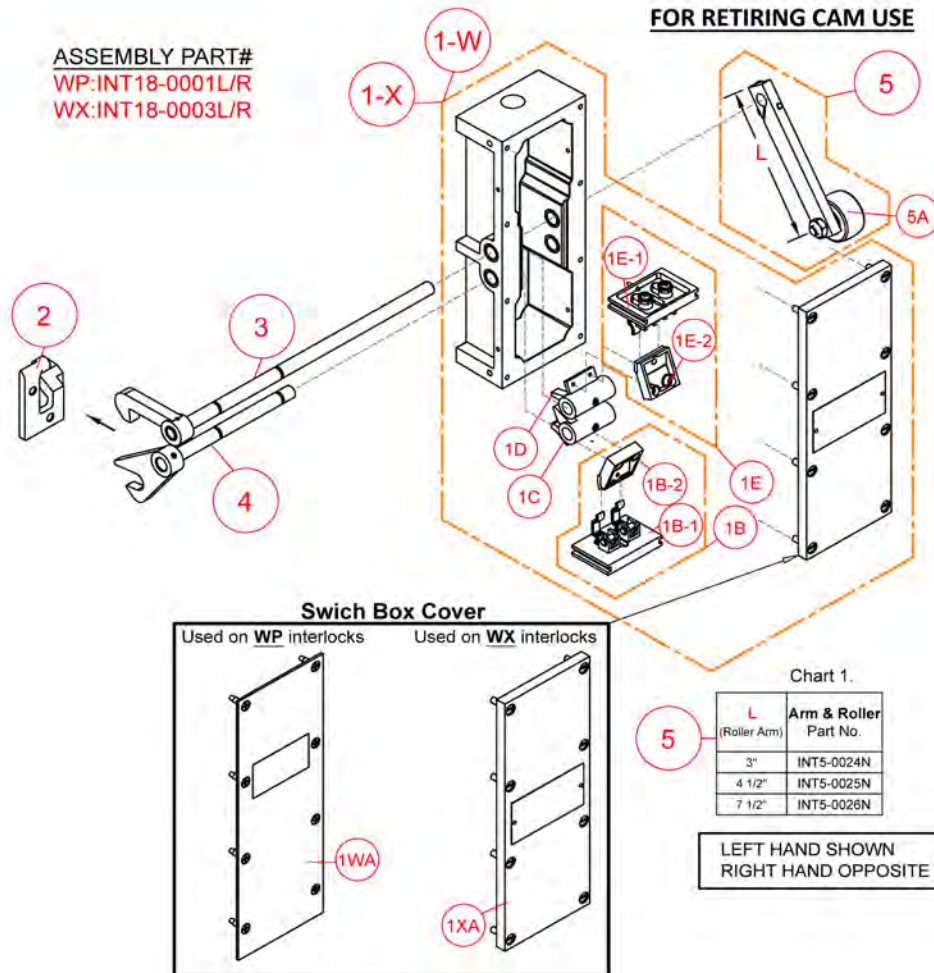
Mounting hardware included.

DOOR EQUIPMENT

Interlock Isometric Drawing

TYPE: "WX", "WP"

Manual Swing Door (Water & Explosion Resistant)



Interlock Assemblies

Part No.	Item No	Description
INT18-0007L/R	1-X	Switch Assembly, WX Explosion Swing (Not NEMA Rated, UL Listed or CSA Certified) (Page# 388)
INT18-0010N	1XA	Cover, 3/8' WX Interlock With Hardware (Page# 380)
INT18-0005L/R	1-W	Switch Assembly, WP Moisture Swing (NEMA Rated and CSA Certified) (Page# 388)
INT18-0009N	1WA	Cover, 1/8" WP Interlock With Gasket & Hardware (Page# 380)
INT18-0013N	1B	Contact Kit, WP/WX Door (Page# 376)
INT18-0014N	1B-1	Contact Base, WP/WX Door (Page# 377)
INT5-0015N	1B-2	Contact, WP/WX Interlock Bridging (Page# 375 or 413-Lock & Contact Section)
INT18-0021N	1C	Cam, WP/WX Door Contact (Page# 374)
INT18-0020N	1D	Cam, WP/WX Retiring Cam Contact (Page# 374)

Part No.	Item No	Description
INT18-0011N	1E	Contact Kit, WP/WX Retiring Cam (Page# 376)
INT18-0012N	1E-1	Contact Base, WP/WX Retiring Cam (Page# 377)
INT5-0018N	1E-2	Contact, M/N/NHA Cam Bridging (Page# 376)
INT18-0018L/R	2	Keeper, WP/WX Interlock Swing (Page# 381)
INT18-0023L/R	3	Latch, WP/WX Swing Door (Page# 375)
INT18-0022L/R	4	Cam, WP/WX Swing Door Forked (Page# 375)
SEE CHART 1	5	Arm & Roller (Page# 386)
INT5-0027N	5A	Roller & Bolt, Roller Arm (Page# 386)

Mounting hardware included.

DOOR EQUIPMENT

Interlock Isometric Drawing

TYPE: "N", "NHA"

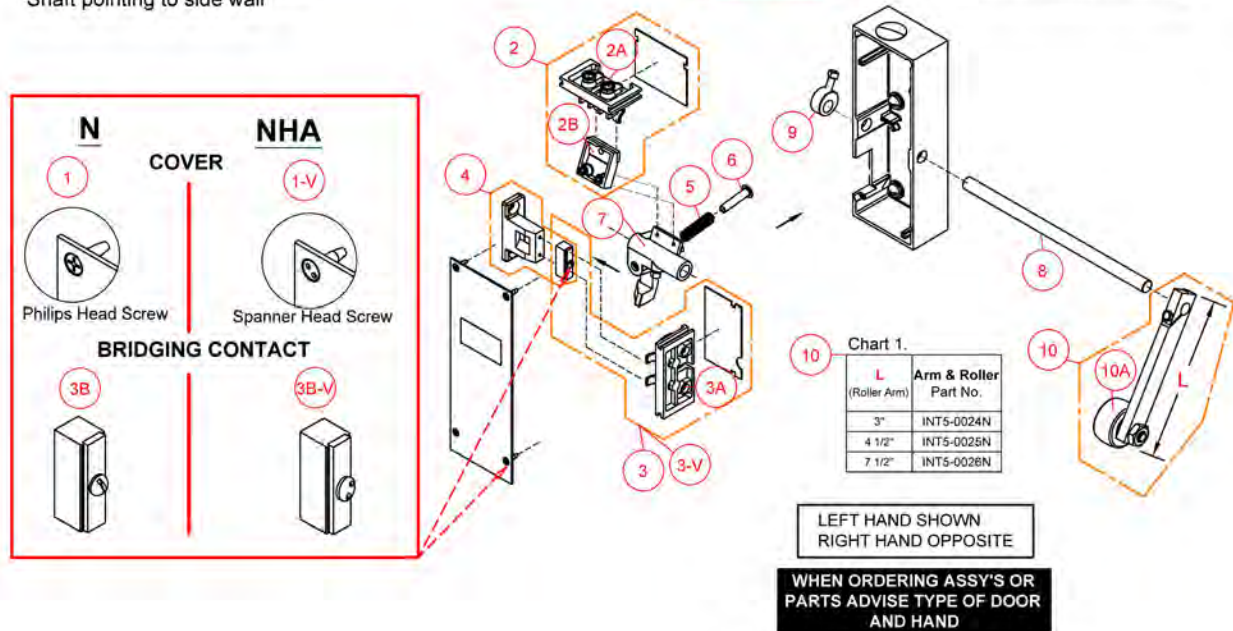
Manual Sliding Door

SLIDING DOOR INTERLOCK

Shaft pointing to side wall

FIG. 3 ASSY

FOR RETIRING CAM USE



Interlock Assemblies

Part No.	Item No	Description
INT22-XXXXX	FIG. 3 ASSY	Interlock, N/NHA Sliding Door (Page# 359-360)
INT22-0015N	1	Cover, "N" Interlock (Page# 379)
INT22-0041N	1-V	Cover, "NHA" Interlock (Page# 379)
INT22-0019N	2	Contact Kit, N/NHA Interlock Upper (Page# 376)
INT22-0021N	2A	Contact Base, N/NHA Upper
INT5-0018N	2B	Contact, M/N/NHA Cam Bridging (Page# 377)
INT22-0020N	3	Contact Kit, "N" Interlock Lower (Page# 375)
INT22-0058N	3-V	Contact Kit, NHA Interlock Lower, With Spanner Head Screws (Page# 375)
INT22-0022N	3A	Contact Base, "N/NHA" Interlock Lower (Page# 377)
INT5-0019N	3B	Bridging Contact, M/N Keeper (Page# 376 or 413-Lock & Contact Section)

Part No.	Item No	Description
INT22-0057N	3B-V	Bridging Contact, NHA Keeper, With Spanner Head Screws (Page# 376)
INT4-XXXXX	4	Keeper, N/NHA Interlock (Page# 381)
SPG-0030N	5	Spring, 1 7/8" Lg X 13/32" OD-0.050 Wire, 15 Turns (Page# 394)
INT22-0018N	6	Retainer, N/NHA Interlock Pin Spring (Page# 393)
INT22-0016L/R	7	Cam Locking, N/NHA Interlock (Page# 374)
INT5-0023N	8	Shaft, M/N Interlock Cam Sliding Door (Page# 391)
INT5-0028N	9	Clamp, Lock Emergency Unlocking Assembly (Page# 368)
SEE CHART 1	10	Arm & Roller (Page# 386)
INT5-0027N	10A	Roller & Bolt, Roller Arm (Page# 386)

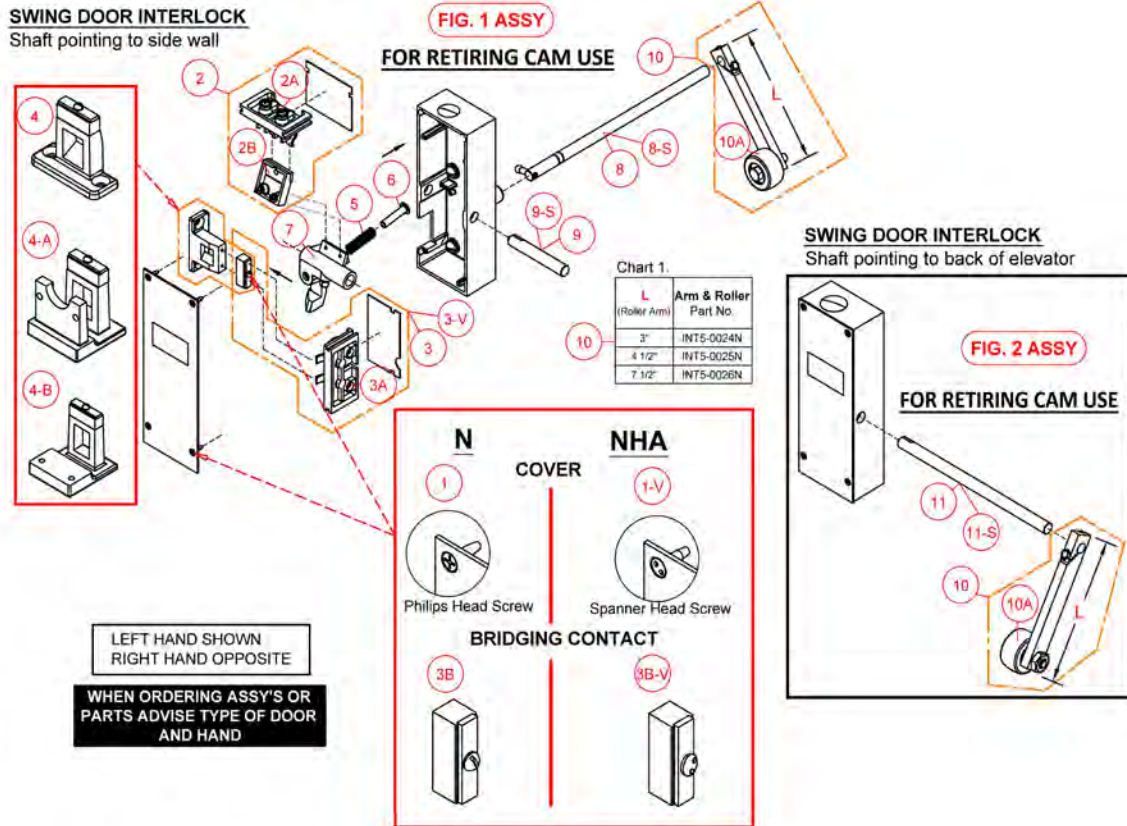
Mounting hardware included.

DOOR EQUIPMENT

Interlock Isometric Drawing

TYPE: "N", "NHA"

Manual Swing Door



Part No.	Item No	Description
INT22-XXXXX	FIG. 1 ASSY	Interlock, N/NHA Swing Door - Shaft pointing to side wall (Page# 358, 360)
INT22-XXXXX	FIG. 2 ASSY	Interlock, N/NHA Swing Door - Shaft pointing to back of elevator (Page# 358, 360)
INT22-0015N	1	Cover, "N" Interlock (Page# 379)
INT22-0041N	1-V	Cover, "NHA" Interlock (Page# 379)
INT22-0019N	2	Contact Kit, N/NHA Interlock Upper (Page# 376)
INT22-0021N	2A	Contact Base, N/NHA Upper (Page# 377)
INT5-0018N	2B	Contact, M/N/NHA Cam Bridging Upper (Page# 376)
INT22-0020N	3	Contact Kit, "N" Interlock Lower (Page# 375)
INT22-0058N	3-V	Contact Kit, NHA Interlock Lower, With Spanner Head Screws (Page# 375)
INT22-0022N	3A	Contact Base, "N/NHA" Interlock Lower (Page# 377)
INT5-0019N	3B	Bridging Contact, M/N Keeper (Page# 376 or 413-Lock & Contact Section)
INT22-0057N	3B-V	Bridging Contact, NHA Keeper, With Spanner Head Screws (Page# 376)
INT4-XXXXX	4	Keeper, N/NHA Interlock - Surface Mounted (Page# 380-381)

Part No.	Item No	Description
INT4-XXXXX	4-A	Keeper, N/NHA Interlock - Flush Mounted (Page# 380-381)
INT4-XXXXX	4-B	Keeper, N/NHA Interlock - Kalamein (Page# 380-381)
SPG-0030N	5	Spring, 1 7/8" Lg X 13/32" OD-0.050 Wire, 15 Turns (Page# 394)
INT22-0018N	6	Retainer, N/NHA Interlock Pin Spring (Page# 393)
INT22-0016L/R	7	Cam Locking, N/NHA Interlock (Page# 374)
INT5-0022N	8	Shaft, M/N Interlock Ball Pin 10" Lg (Page# 391)
INT5-0040N	8-S	Shaft, MHA/NHA Interlock Ball Pin 10" Lg, SS (Page# 391)
INT5-0020N	9	Shaft, M/N Interlock 3" Cam Swing Door (Page# 391)
INT5-0038N	9-S	Shaft, MHA/NHA Interlock 3" Cam Swing Door, SS (Page# 391)
SEE CHART 1	10	Arm & Roller (Page# 386)
INT5-0027N	10A	Roller & Bolt, Roller Arm (Page# 386)
INT5-0021N	11	Shaft, M/N Interlock 10" Cam Swing Door (Page# 391)
INT5-0039N	11-S	Shaft, MHA/NHA Interlock 10" Cam Swing Door, SS (Page# 391)

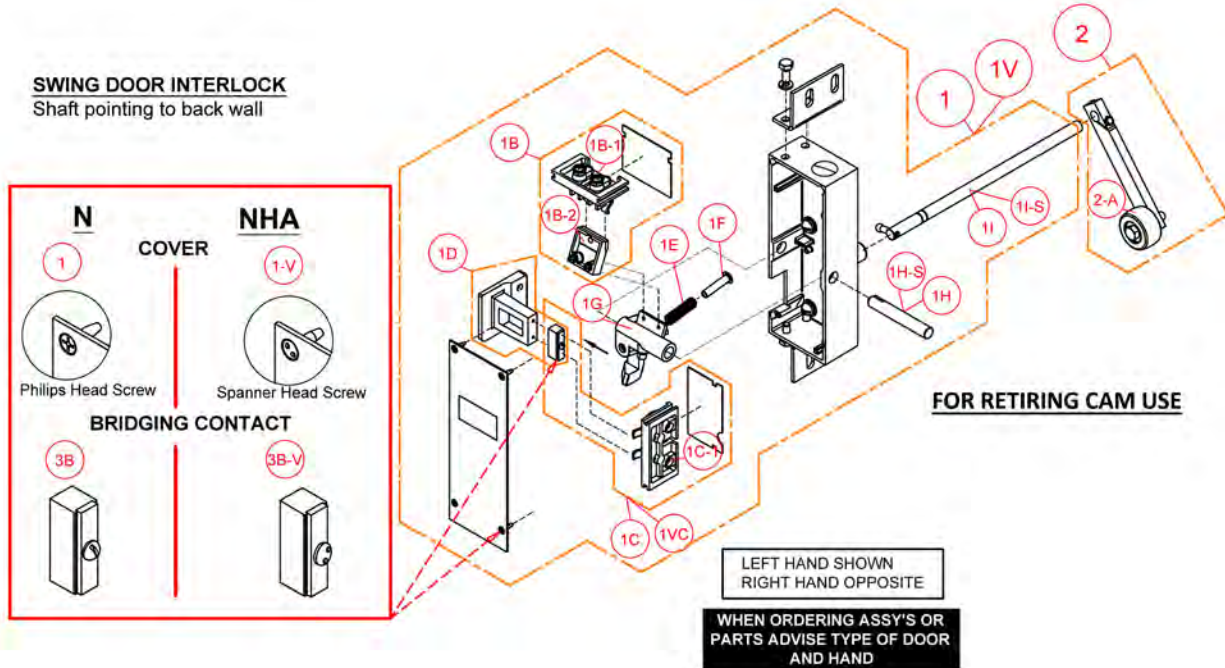
Mounting hardware included.

DOOR EQUIPMENT

Interlock Isometric Drawing

TYPE: "N", "NHA" (WECO)

Manual Swing Door (Westinghouse Replacement)



Interlock Assemblies

Part No.	Item No	Description
INT22-0013L/R	1	Switch Assembly, "N" Interlock Swing Door (Existing Westinghouse SW-1 Lock Cutouts) (Page# 207)
INT22-0039L/R	1V	Switch Assembly, "NHA" Interlock Swing Door (Page# 389)
INT22-0015N	1A	Cover, "N" Interlock (Page# 379)
INT22-0041N	1VA	Cover, "NHA" Interlock (Page# 379)
INT22-0019N	1B	Contact Kit, N/NHA Interlock Upper (Page# 376)
INT22-0021N	1B-1	Contact Base, N/NHA Upper (Page# 377)
INT5-0018N	1B-2	Contact, M/N/NHA Cam Bridging (Page# 376)
INT22-0020N	1C	Contact Kit, "N" Interlock Lower (Page# 375 or 293)
INT22-0058N	1VC	Contact Kit, NHA Interlock Lower, With Spanner Head Screws (Page# 375)
INT22-0022N	1C-1	Contact Base, "N/NHA" Interlock Lower (Page# 377)
INT5-0019N	1C-D	Bridging Contact, M/N Keeper (Page# 376 or 413-Lock & Contact Section)

Mounting hardware included.

Part No.	Item No	Description
INT22-0057N	1VC-D	Bridging Contact, NHA Keeper, With Spanner Head Screws (Page# 376)
INT4-0005N	1D	Keeper, N/NHA Westinghouse Swing Door Interlock (Page# 381)
SPG-0030N	1E	Spring, 1 7/8" Lg X 13/32" OD-0.050 Wire, 15 Turns (Page# 394)
INT22-0018N	1F	Retainer, N/NHA Interlock Pin Spring (Page# 393)
INT22-0016L/R	1G	Cam Locking, N/NHA Interlock (Page# 374)
INT5-0020N	1H	Shaft, M/N Interlock 3" Cam Swing Door (Page# 391)
INT5-0038N	1H-S	Shaft, MHA/NHA Interlock 3" Cam Swing Door, SS (Page# 391)
INT5-0022N	1I	Shaft, M/N Interlock Ball Pin 10" Lg (Page# 391)
INT5-0040N	1I-S	Shaft, MHA/NHA Interlock Ball Pin 10" Lg, SS (Page# 391)
INT5-0025N	2	Arm & Roller, 4 1/2" CL. (Page# 386 or 293)
INT5-0027N	2A	Roller & Bolt, Roller Arm (Page# 386)

DOOR EQUIPMENT

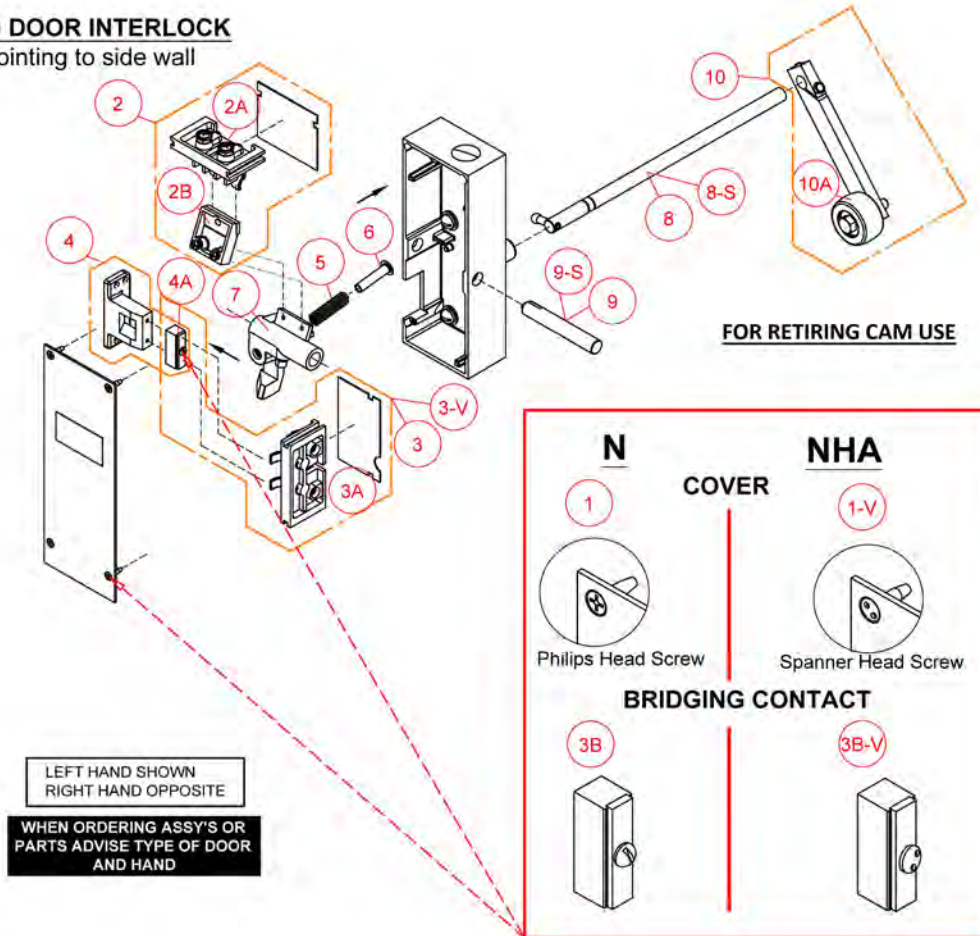
Interlock Isometric Drawing

TYPE: "N", "NHA" (OTIS)

Manual Swing Door-Otis Replacement

SWING DOOR INTERLOCK

Shaft pointing to side wall



Part No.	Item No	Description
INT22-0015N	1	Cover, "N" Interlock (Page# 379)
INT22-0041N	1-V	Cover, "NHA" Interlock (Page# 379)
INT22-0019N	2	Contact Kit, N/NHA Interlock Upper (Page# 376)
INT22-0021N	2A	Contact Base, N/NHA Upper (Page# 377)
INT5-0018N	2B	Contact, M/N/NHA Cam Bridging (Page# 376)
INT22-0020N	3	Contact Kit, "N" Interlock Lower (Page# 375 or 293)
INT22-0058N	3-V	Contact Kit, NHA Interlock Lower, With Spanner Head Screws (Page# 375)
INT22-0022N	3A	Contact Base, "N/NHA" Interlock Lower (Page# 377)
INT5-0019N	3B	Bridging Contact, M/N Keeper (Page# 376 or 413-Lock & Contact Section)
INT22-0057N	3B-V	Bridging Contact, NHA Keeper, With Spanner Head Screws (Page# 376)

Mounting hardware included.

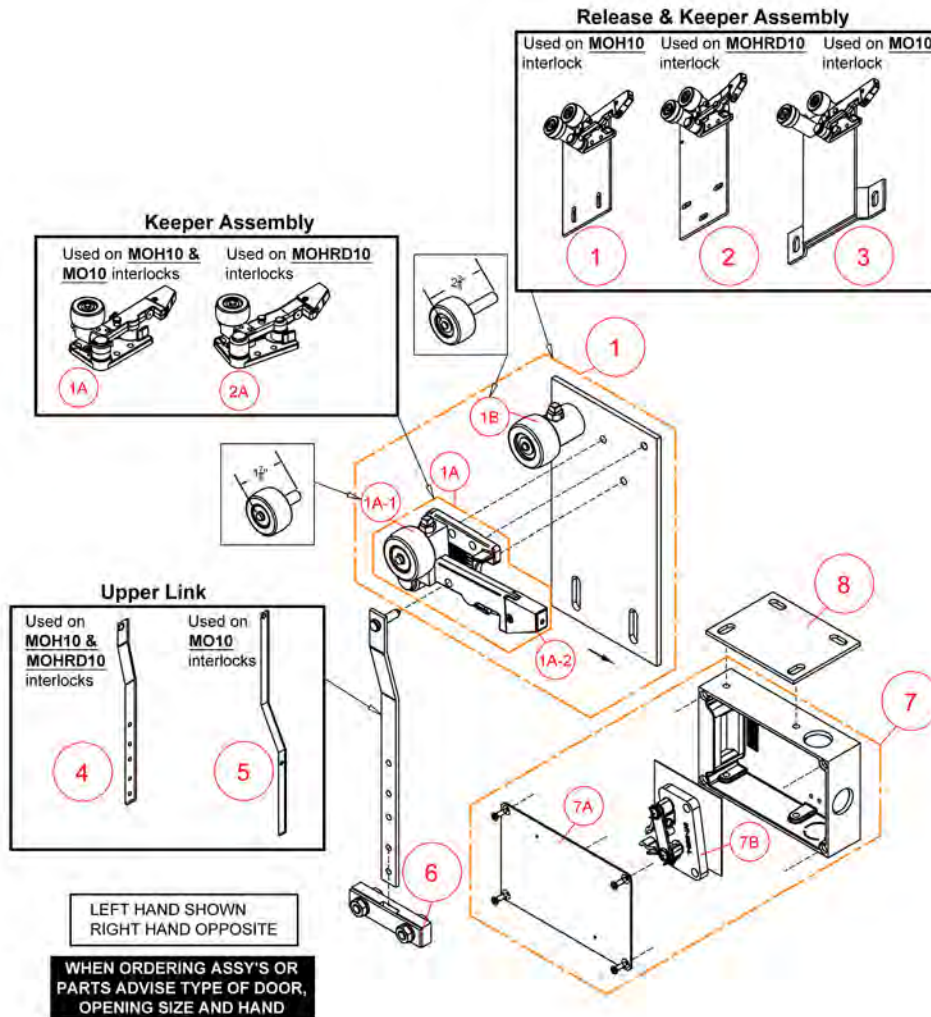
Part No.	Item No	Description
INT4-0006N	4	Keeper, N/NHA Otis Swing Door Interlock (Page# 381)
SPG-0030N	5	Spring, 1 7/8" Lg X 13/32" OD-0.050 Wire, 15 Turns (Page# 394)
INT22-0018N	6	Retainer, N/NHA Interlock Pin Spring (Page# 393)
INT22-0016L/R	7	Cam Locking, N/NHA Interlock (Page# 374)
INT5-0022N	8	Shaft, M/N Interlock Ball Pin 10" Lg (Page# 391)
INT5-0040N	8-S	Shaft, MHA/NHA Interlock Ball Pin 10" Lg, SS (Page# 391)
INT5-0020N	9	Shaft, M/N Interlock 3" Cam Swing Door (Page# 391)
INT5-0038N	9-S	Shaft, MHA/NHA Interlock 3" Cam Swing Door, SS (Page# 391)
INT5-0025N	10	Arm & Roller, 4 1/2" CL. (Page# 386 or 293-Car Zone Lock Section)
INT5-0027N	10A	Roller & Bolt, Roller Arm (Page# 386)

DOOR EQUIPMENT

Interlock Isometric Drawing

TYPE: "MO10", "MOH10", "MOHRD10"

Sliding Door - Otis Replacement & Round Elevator



Interlock Assemblies

Part No.	Item No	Description
INT23-0007L/R	1	Release-Keeper Assembly, MOH10 (Page# 385)
INT23-0008L/R	2	Release-Keeper, MOHRD10 Round Door (Page# 385)
INT23-0006L/R	3	Release & Keeper Assembly, Type "MO10" (Page# 385)
INT23-0009L/R	1A	Keeper Assembly, MOH10 Interlock (Page# 380)
INT23-0010L/R	2A	Keeper Assembly, MOHRD10 Interlock (Keeper Bent For Round Elevators) (Page# 380)
INT23-0012N	1A-1	Roller & Shaft, MO10 Interlock (Movable Roller) (Page# 386)

Part No.	Item No	Description
INT1H-0017N	1A-2	Contact, MO Keeper Bridge (Page# 376)
INT1H-0023N	1B	Roller & Shaft, MO Interlock (Page# 386)
INT1H-0018N	4	Link, Upper MO Interlock Assembly, 10 1/2" Lg X 1/2" Wd X 1/8" Thk (Page# 384)
INT23-0013N	5	Link, Type "MO10" Interlock Upper (Page# 384)
INT23-0011N	6	Guide, MO10 Interlock Link (Page# 393)
INT1H-0013L/R	7	Switch Assembly, MO Interlock (Page# 387)
INT1H-0014N	7A	Cover, MO Interlock (Page# 378)
INT1H-0024L/R	7B	Contact Base, MO Interlock (Page# 377)
INT1H-0031N	8	Plate, Switch Track Mounting 2" CL (Page# 370)

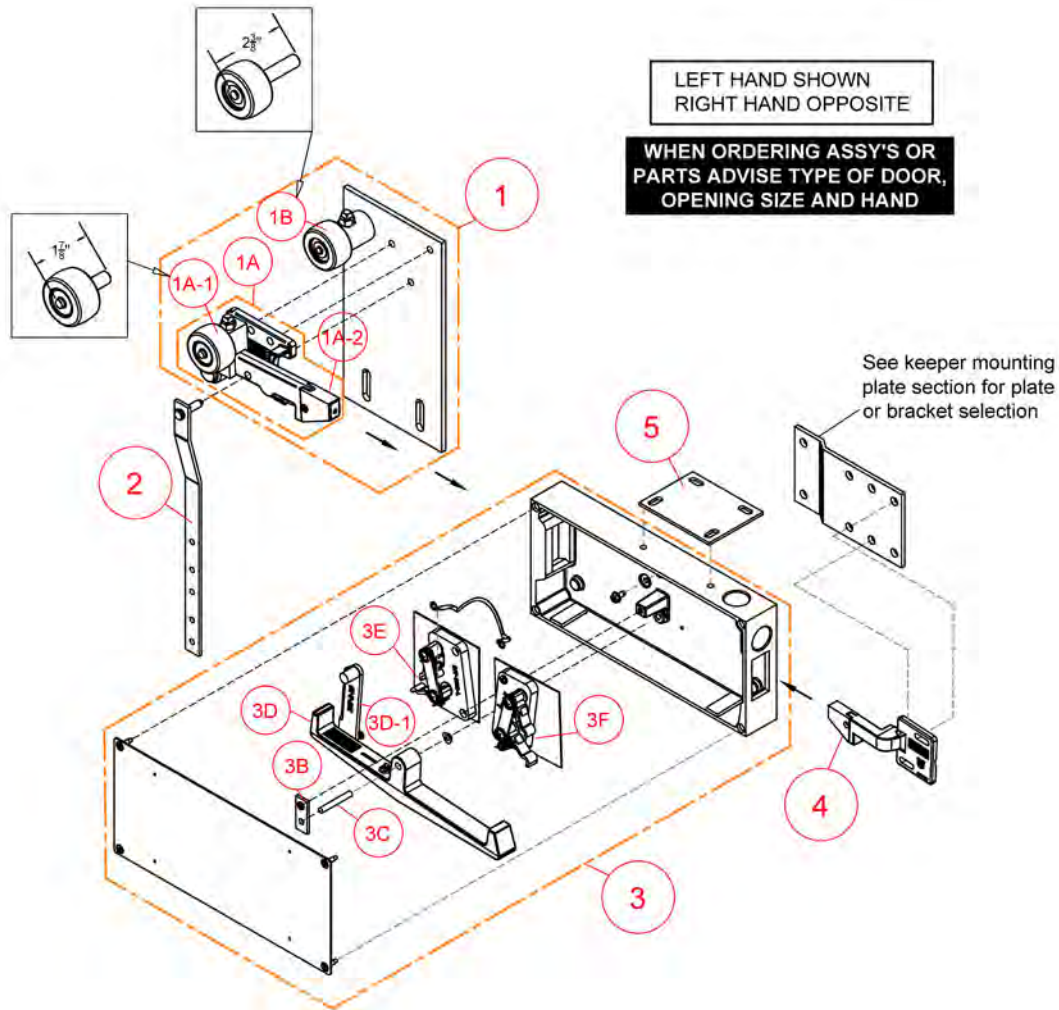
Mounting hardware included.

DOOR EQUIPMENT

Interlock Isometric Drawing

TYPE: "MOCPH10"

Sliding Door - Center Parting



Interlock Assemblies

Part No.	Item No	Description
INT23-0007L/R	1	Release-Keeper Assembly, MOH10 (Page# 385)
INT23-0009L/R	1A	Keeper Assembly, MOH10 Interlock (Page# 380)
INT23-0012N	1A-1	Roller & Shaft, MO10 Interlock (Movable Roller) (Page# 386)
INT1H-0017N	1A-2	Contact, MO Keeper Bridge (Page# 376)
INT1H-0023N	1B	Roller & Shaft, MO Interlock (Page# 386)
INT1H-0018N	2	Link, Upper MO Interlock Assembly, 10 1/2" Lg X 1/2" Wd X 1/8" Thk (Page# 384)
INT2H-0007N	3	Switch Assembly, MOCPH Interlock (Page# 387)
INT2H-0008N	3A	Cover, MOCPH Interlock (Page# 379)

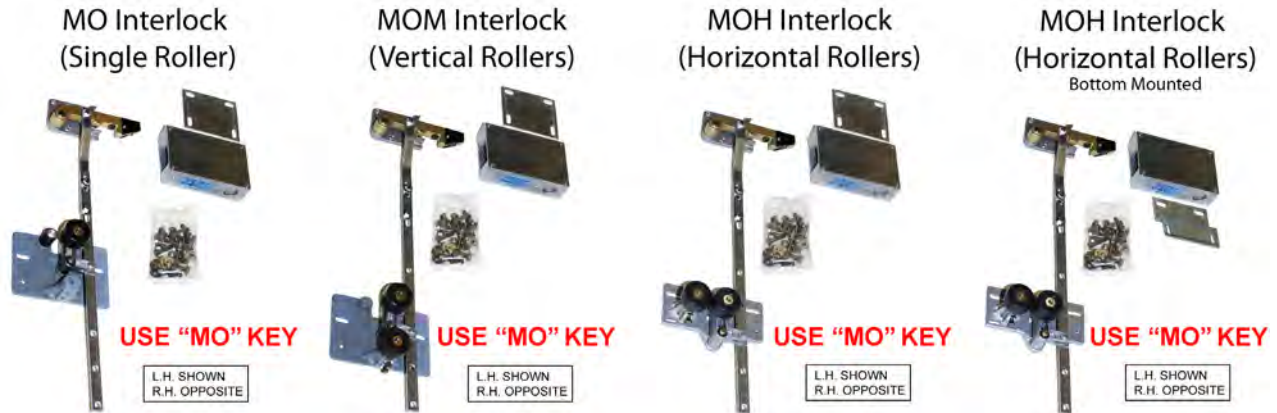
Part No.	Item No	Description
NT2H-0011N	3B	Cover, MOCPH Interlock (Page# 379)
PIN-0046N	3C	Pin, 3/16" X 1 5/16" Clear Nylon (Call G.A.L.)
INT2H-0010N	3D	Arm, MOCPH Rocker Assembly (Page# 388)
INT2H-0024N	3D-1	Cam, MOCPH Rocker Arm Lift up (Page# 388)
INT1H-0024L/R	3E	Contact Base, MO Interlock (Page# 377)
INT2H-0018R	3F	Contact Base, MOCPH Interlock (Page# 377)
INT2H-0015N	4	Keeper Fixed, MOCPH Interlock (Page# 380)
INT1H-0031N	5	Plate, Switch Track Mounting 2" CL (Page# 370)
INT1H-0036L	1A-2/3E	Contact Kit, MO-KT (Page# 375)
INT2H-0017R	1A-2/3F	Contact Kit, MO-KT (Page# 375)

Mounting hardware included.

DOOR EQUIPMENT

Interlock Assemblies (Power Doors)

Sliding Door (Conventional)



MO Interlock With Single Roller

Part No.	S/S	2/SP	C/P	2SP/CP	Link Length	List Price
INT1H-0098L/R	20"-29"		33"-39"	33"-39"	A (14 3/4")	\$139.00
INT1H-0099L/R	30"-39"	30"-39"	40"-49"	40"-49"	B (18 3/4")	\$139.00
INT1H-0100L/R	24"-29" 40"-44"	40"-44"	50"-59"	50"-59"	C (22 3/4")	\$139.00
INT1H-0101L/R	45"-48"	45"-52"	60"-79"	60"-79"	D (26 3/4")	\$139.00
INT1H-0102L/R		53"-60"	80"-83"	80"-83"	E (30 3/4")	\$151.00
INT1H-0103L/R		61"-72"			F (36 3/4")	\$151.00

MOM Interlock With Vertical Rollers

Standard

Part No.	S/S	2/SP	C/P	2SP/CP	Link Length	List Price
INT1M-0001L/R	20"-29"		33"-39"	33"-39"	A (14 3/4")	\$139.00
INT1M-0002L/R	30"-39"	30"-39"	40"-49"	40"-49"	B (18 3/4")	\$139.00
INT1M-0003L/R	40"-44"	24"-29" 40"-44"	50"-59"	50"-59"	C (22 3/4")	\$139.00
INT1M-0004L/R	45"-48"	45"-52"	60"-79"	60"-79"	D (26 3/4")	\$139.00
INT1M-0005L/R		53"-60"	80"-83"	80"-83"	E (30 3/4")	\$151.00
INT1M-0006L/R		61"-72"			F (36 3/4")	\$151.00

Cut Down Release

Part No.	S/S	2/SP	C/P	2SP/CP	Link Length	List Price
INT1M-0078L/R	20"-29"		33"-39"	33"-39"	A (14 3/4")	\$185.00
INT1M-0079L/R	30"-39"	30"-39"	40"-49"	40"-49"	B (18 3/4")	\$185.00
INT1M-0080L/R	40"-44"	24"-29" 40"-44"	50"-59"	50"-59"	C (22 3/4")	\$185.00
INT1M-0081L/R	45"-48"	45"-52"	60"-79"	60"-79"	D (26 3/4")	\$185.00
INT1M-0082L/R		53"-60"	80"-83"	80"-83"	E (30 3/4")	\$198.00
INT1M-0083L/R		61"-72"			F (36 3/4")	\$198.00

DOOR EQUIPMENT

Interlock Assemblies (Power Doors)

Sliding Door (Conventional)

MOH Interlock With Horizontal Rollers

Standard

Part No.	S/S	2/SP	3/SP	C/P	2SP/CP	3SP/CP	Link Length	List Price
INT1H-0001L/R	20"-29"			30"-39"	33"-39"		A (14 3/4")	\$124.00
INT1H-0002L/R	30"-39"	30"-39"		40"-49"	40"-49"		B (18 3/4")	\$124.00
INT1H-0003L/R	40"-44"	24"-29" 40"-44"		50"-59"	50"-59" 84"-89"		C (22 3/4")	\$124.00
INT1H-0004L/R	45"-48"	45"-52"	30"-54"	60"-79"	60"-79" 90"-106"	84"-111"	D (26 3/4")	\$124.00
INT1H-0005L/R		53"-60"	55"-64"	80"-83"	80"-83"	112"-131"	E (30 3/4")	\$136.00
INT1H-0006L/R		61"-72"	65"-69"		139"-144"	132"-140"	F (36 3/4")	\$136.00

Cut Down Release

Part No.	S/S	2/SP	3/SP	C/P	2SP/CP	Link Length	List Price
INT1H-0078L/R	20"-29"			33"-39"	33"-39"	A (14 3/4")	\$170.00
INT1H-0079L/R	30"-39"	30"-39"		40"-49"	40"-49"	B (18 3/4")	\$170.00
INT1H-0080L/R	40"-44"	24"-29" 40"-44"		50"-59"	50"-59"	C (22 3/4")	\$170.00
INT1H-0081L/R	45"-48"	45"-52"	30"-54"	60"-79"	60"-79"	D (26 3/4")	\$170.00
INT1H-0082L/R		53"-60"	55"-64"	80"-83"	80"-83"	E (30 3/4")	\$182.00
INT1H-0083L/R		61"-72"	65"-69"			F (36 3/4")	\$182.00

MOH Interlock (Bottom Mounted) With Horizontal Rollers

Standard

Part No.	2/SP	3/SP	Link Length	List Price
INT1H-0059L/R	20"-29"		A (14 3/4")	\$154.00
INT1H-0060L/R	30"-39"	30"-39"	B (18 3/4")	\$154.00
INT1H-0061L/R	40"-44"	24"-29" 40"-44"	C (22 3/4")	\$154.00
INT1H-0062L/R	45"-48"	45"-48"	D (26 3/4")	\$154.00
INT1H-0063L/R	20"-29"		A (14 3/4")	\$154.00
INT1H-0064L/R	30"-39"		B (18 3/4")	\$154.00
INT1H-0065L/R	40"-44"		C (22 3/4")	\$154.00
INT1H-0066L/R	45"-48"		D (26 3/4")	\$154.00

Cut Down Release

Part No.	2/SP	3/SP	Link Length	List Price
INT1H-0084L/R	20"-29"		A (14 3/4")	\$201.00
INT1H-0085L/R	30"-39"	30"-39"	B (18 3/4")	\$201.00
INT1H-0086L/R	40"-44"	24"-29" 40"-44"	C (22 3/4")	\$201.00
INT1H-0087L/R	45"-48"	45"-48"	D (26 3/4")	\$201.00
INT1H-0088L/R	20"-29"		A (14 3/4")	\$201.00
INT1H-0089L/R	30"-39"		B (18 3/4")	\$201.00
INT1H-0090L/R	40"-44"		C (22 3/4")	\$201.00
INT1H-0091L/R	45"-48"		D (26 3/4")	\$201.00

Interlock Assemblies

DOOR EQUIPMENT

Interlock Assemblies (Power Doors)

Sliding Door (Vandal/Water/Dust/Explosion Resistant)



Vandal Resistant

MOHA Interlock With Horizontal Rollers & Shield

Note: Interlocks using "HA" shield must have lower link cut off on job so as not to extend below bottom of shield.

Part No.	Shield Size	S/S	2/SP	Link Length	List Price
INT1H-0106L/R	18 1/8"	30"-39"	30"-39"	B (18 3/4")	\$231.00
INT1H-0107L/R	22 1/8"	40"-42"	40"-44"	C (22 3/4")	\$231.00
INT1H-0108L/R	26 1/8"		45"-52"	D (26 3/4")	\$244.00
INT1H-0109L/R	30 1/8"		53"-60"	E (30 3/4")	\$244.00
INT1H-0110L/R	34 1/8"		61"-68"	E (30 3/4")	\$244.00
INT1H-0111L/R	38 1/8"		69"-72"	F (36 3/4")	\$244.00

Water Resistant

MOWH Interlock With Horizontal Rollers

Standard

Note: UL listed, but NOT NEMA rated nor CSA certified

Part No.	S/S	2/SP	C/P	2SP/CP	Link Length	List Price
INT3W-0001L/R	22"-29"		24"-39"	24"-39"	A (14 3/4")	\$432.00
INT3W-0002L/R	30"-39"	24"-39"	40"-49"	40"-49"	B (18 3/4")	\$432.00
INT3W-0003L/R	40"-44"	40"-44"	50"-59"	50"-59"	C (22 3/4")	\$432.00
INT3W-0004L/R	45"-48"	45"-52"	60"-79"	60"-79"	D (26 3/4")	\$432.00
INT3W-0005L/R		53"-60"	80"-83"	80"-83"	E (30 3/4")	\$444.00
INT3W-0006L/R		61"-72"			F (36 3/4")	\$444.00

Cut Down Release 2 1/8"

Part No.	S/S	2/SP	C/P	2SP/CP	Link Length	List Price
INT3W-0010L/R	22"-29"		24"-39"	24"-39"	A (14 3/4")	\$478.00
INT3W-0011L/R	30"-39"	24"-39"	40"-49"	40"-49"	B (18 3/4")	\$478.00
INT3W-0012L/R	40"-44"	40"-44"	50"-59"	50"-59"	C (22 3/4")	\$478.00
INT3W-0013L/R	45"-48"	45"-52"	60"-79"	60"-79"	D (26 3/4")	\$478.00
INT3W-0014L/R		53"-60"	80"-83"	80"-83"	E (30 3/4")	\$478.00
INT3W-0015L/R		61"-72"			F (36 3/4")	\$478.00
INT3W-0017L/R						\$487.00

Interlock Assemblies

DOOR EQUIPMENT

Interlock Assemblies (Power Doors)

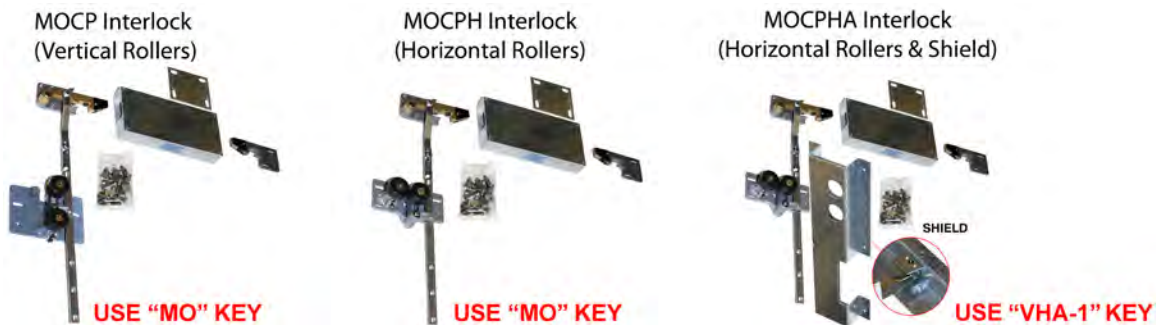
Dust/Explosion Resistant

MOXH Interlock With Horizontal Rollers

NOTE: UL listed, NEMA 7, Class 1 Group D. California approved #3288. Pennsylvania #4913. **NOT** CSA certified

Part No.	S/S	2/SP	C/P	2SP/CP	Link Length	List Price
INT3X-0001L/R	22"-29"		24"-39"	24"-39"	A (14 3/4")	\$432.00
INT3X-0002L/R	30"-39"	24"-39"	40"-49"	40"-49"	B (18 3/4")	\$432.00
INT3X-0003L/R	40"-44"	40"-44"	50"-59"	50"-59"	C (22 3/4")	\$432.00
INT3X-0004L/R	45"-48"	45"-52"	60"-79"	60"-79"	D (26 3/4")	\$432.00
INT3X-0005L/R		53"-60"	80"-83"	80"-83"	E (30 3/4")	\$444.00
INT3X-0006L/R		61"-72"			F (36 3/4")	\$444.00

Sliding Door - Center Parting (Conventional/Vandal Resistant)



Center Parting - Conventional

MOCP Interlock With Vertical Rollers

Standard

Part No.	C/P	Link Length	List Price
INT2M-0001N	30"-39"	A (14 3/4")	\$201.00
INT2M-0002N	40"-49"	B (18 3/4")	\$201.00
INT2M-0003N	50"-59"	C (22 3/4")	\$201.00

MOCP Interlock With Vertical Rollers

Cut Down Release

Part No.	C/P	Link Length	List Price
INT2M-0026N	30"-39"	A (14 3/4")	\$231.00
INT2M-0027N	40"-49"	B (18 3/4")	\$231.00
INT2M-0028N	50"-59"	C (22 3/4")	\$231.00

MOCPH Interlock With Horizontal Rollers

Standard

Part No.	C/P	2SP/CP	Link Length	List Price
INT2H-0001N	24"-39"		A (14 3/4")	\$185.00
INT2H-0002N	40"-49"		B (18 3/4")	\$185.00
INT2H-0003N	50"-59"		C (22 3/4")	\$185.00
INT2H-0004N	60"-72"	60"-72"	D (26 3/4")	\$185.00
INT2H-0005N			E (30 3/4")	\$198.00
INT2H-0006N			F (36 3/4")	\$198.00

MOCPH Interlock With Horizontal Rollers

Cut Down Release

Part No.	C/P	Link Length	List Price
INT2H-0026N	30"-39"	A (14 3/4")	\$231.00
INT2H-0027N	40"-49"	B (18 3/4")	\$231.00
INT2H-0028N	50"-59"	C (22 3/4")	\$231.00
INT2H-0210N		D (Varies)	\$231.00
INT2H-0211N		E (Varies)	\$244.00
INT2H-0212N		F (Varies)	\$244.00

Center Parting - Vandal Resistant

MOCPHA Interlock With Horizontal Rollers & Shield

Note: Interlocks using "HA" shield must have lower link cut off on job so as not to extend below bottom of shield.

Part No.	Shield Size	C/P	Link Length	List Price
INT2H-0019N	14 1/8"	30"-39"	A (14 3/4")	\$293.00
INT2H-0020N	18 1/8"	40"-49"	B (18 3/4")	\$293.00
INT2H-0021N	22 1/8"	50"-59"	C (22 3/4")	\$293.00

DOOR EQUIPMENT

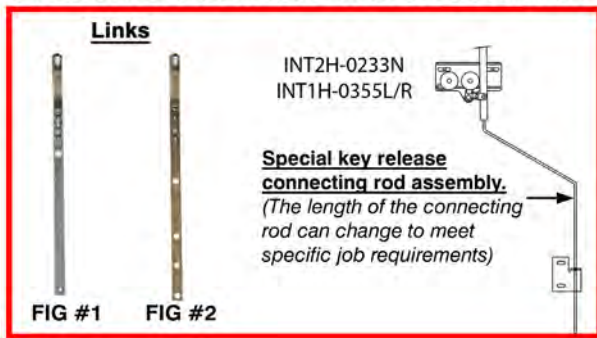
Interlock Assemblies (Power Doors)

Sliding Door - (Glass Door Elevator)

USE "MO" KEY



INTERLOCKS FOR GLASS DOOR INSTALLATIONS



USE "MO" KEY



MOCPH-G Interlock With Horizontal Rollers

Note: "MOCPH-G" interlock for C/P glass doors includes special key unlocking link and horizontal release roller assembly

INT2H-0233N: Includes special key release connecting rod

Part No.	C/P	Link Length	List Price
INT2H-0233N*	30"-59"	READ NOTE	\$300.00
INT2H-0040N*		FIG. #1	\$216.00
INT2H-0041N*		FIG. #2	\$216.00

MOH-G Interlock With Horizontal Rollers

Note: "MOH-G" interlock for glass door includes special key unlocking link and horizontal release roller assembly

INT1H-0355L/R: Includes special key release connecting rod

Part No.	Link Length	List Price
INT1H-0355L/R	READ NOTE	\$238.00
INT1H-0174L/R	FIG. #1	\$154.00
INT1H-0175L/R	FIG. #2	\$154.00

MOH10 Interlock



Note: "MOH10" interlock, glass door installation w/ door plate, keeper, release roller assembly, and key unlocking link

Part No.	List Price
INT23-0002L/R	\$370.00

MOHRD10 Interlock



Note: "MOHRD10" interlock, w/ door plate, keeper, release roller assembly, and key unlocking link (Used on solid or glass door)

Part No.	List Price
INT23-0004L/R	\$370.00

OTIS Replacement

MO10 Interlock



Note: "MO10" interlock, w/ Otis replacement door bracket, keeper, release roller assembly, and key unlocking link

Part No.	List Price
INT23-0001L/R	\$370.00

Round Door

MOCPH10 Interlock



Note: "MOCPH10" interlock C/P glass doors: Includes door plate, keeper, release roller assembly, and key unlocking link

Part No.	List Price
INT24-0001N*	\$432.00

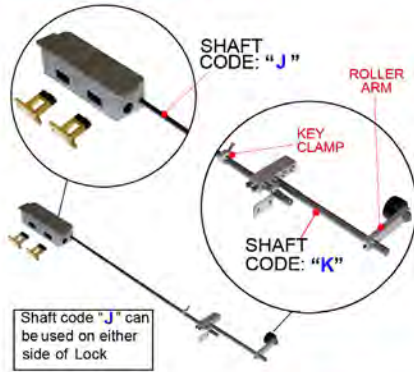
DOOR EQUIPMENT

Interlock Assemblies (Manual Doors)

Swing Door Interlocks - Conventional

DM Interlock

DOUBLE SWING DOOR



USE "MO" KEY

Note: To replace an interlock shaft, match the shaft code to the shaft configuration shown in parts section on pg. ____

Part No.	Shaft Code	Roller Arm	List Price
INT7-0001N	"J" & "K"	3" C.L.	\$632.00
INT7-0020N	"J" & "K"	4 1/2" C.L.	\$632.00

DM-MH Interlock

DOUBLE SWING DOOR (w/ MACHANICAL HOLD SNAP LATCHES)



USE "MO" KEY

Note: To replace an interlock shaft, match the shaft code to the shaft configuration shown in parts section on pg. ____

Part No.	Shaft Code	Roller Arm	List Price
INT7-0013N	"J" & "K"	3" C.L.	\$693.00
INT7-0021N	"J" & "K"	4 1/2" C.L.	\$693.00

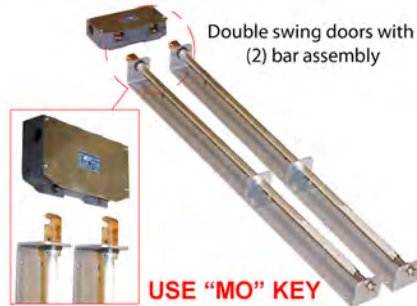
K1 Interlock



USE "MO" KEY

Part No.	S/S	List Price
INT16-0001N	22"-48"	\$124.00

K5 Interlock



USE "MO" KEY

Part No.	List Price
INT14-0001N	\$247.00

K5 Interlock

Double swing doors with chain bolt & operating bar assembly



USE "MO" KEY

Part No.	List Price
INT15-0001N	\$339.00

Interlock Assemblies

DOOR EQUIPMENT

Interlock Assemblies (Manual Doors)

Slide Door Interlocks - Conventional

K Interlock



Part No.	S/S	2/SP	List Price
INT16-0002N	22"-48"	24"-72"	\$124.00

MO Bar Lock



Part No.	List Price
INT1H-0130L/R	\$170.00

MOCP Bar Lock



Part No.	List Price
INT2H-0042N	\$231.00

Conventional

HD Interlock

INT9-0001L

LH SHOWN
RH OPPOSITE

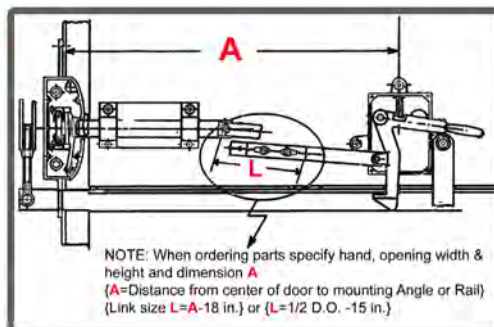


"HD" Interlock is designed for use with G.A.L. Straight Arm Closer. A NON-REVERSING DEVICE must be used and ordered when "HD" is ordered for non-G.A.L. closer. Use part no. INT9-0002N

Part No.	List Price
INT9-0001L/R	\$248.00
INT9-0002N	\$50.00

VR Interlock

Used on Manual Vertical Rising Door



NOTE: When ordering, specify:

1. Left or right hand
2. Net door opening width
3. Advise "A" dimension, center line of door to guide rail where switch is mounted.

"A" = _____ A = L + 18"

L = 1/2 D.O.-15"

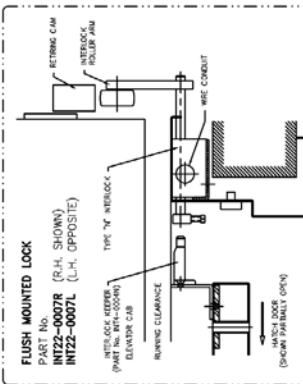
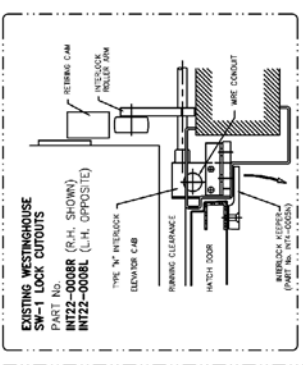
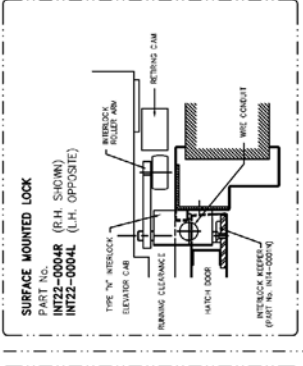
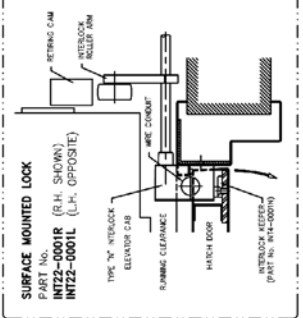
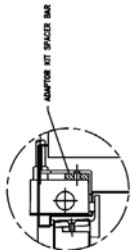
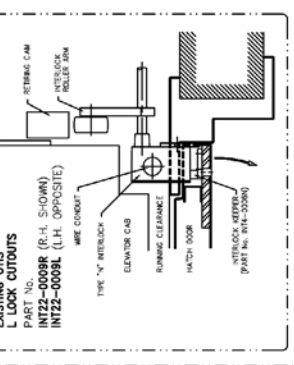
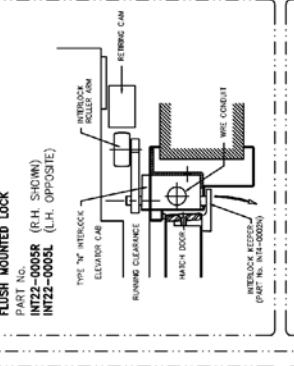
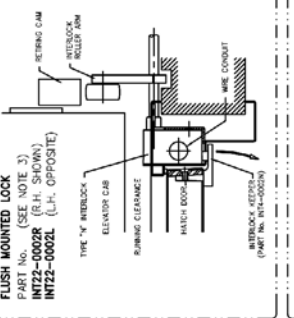


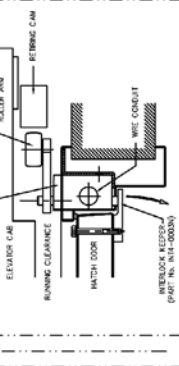
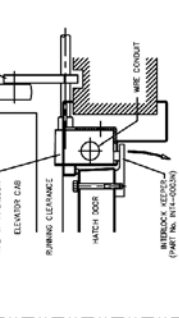
Part No.	List Price
INT13-0001L/R	\$231.00

DOOR EQUIPMENT

Interlock Assemblies (Manual Doors)

Conventional

N Interlock Mounting Arrangement

<p>TYPE "N" INTERLOCK ASSY SLIDE DOORS</p> 	<p>TYPE "N" INTERLOCK ASSY SWING DOORS (EXISTING WESTINGHOUSE OR OTS LOCK CUTOUTS)</p> 	<p>TYPE "N" INTERLOCK ASSY SWING DOORS (RETRING CAM PARALLEL TO THE DOOR)</p> 	<p>TYPE "N" INTERLOCK ASSY SWING DOORS (RETRING CAM PERPENDICULAR TO THE DOOR)</p> 	<p>ORDERING INSTRUCTIONS</p> <p>1--WHEN ORDERING REFER TO THE PART NUMBER SHOWN NEXT TO THE ARRANGEMENT THAT SUITS YOUR APPLICATION. EXAMPLE: INTZ2-0007R TYPE "N" INTERLOCK SLIDE DOOR (R-I)</p> <p>2--IF REPLACING A TYPE "M" INTERLOCK, GAL WILL SUPPLY ADAPTOR KIT No. INTZ2-0020N DUE TO THE DIFFERENCE IN DEPTH BETWEEN THE LOCKS. SEE DRAWING BELOW.</p> 	<p>EXISTING OTS L LOCK CUTOUTS</p> 	<p>FLUSH MOUNTED LOCK</p> 	<p>FLUSH MOUNTED LOCK (SEE NOTE 3)</p> 	<p>FLUSH MOUNTED LOCK W/KALAMEN DOORS</p> 	<p>FLUSH MOUNTED LOCK W/KALAMEN DOORS</p> 	<p>FLUSH MOUNTED LOCK W/KALAMEN DOORS</p> 	<p>FLUSH MOUNTED LOCK W/KALAMEN DOORS</p> 
---	--	--	---	---	---	---	--	--	---	--	--

(*) Special Engineering Required

DOOR EQUIPMENT

Interlock Assemblies (Manual Doors)

Conventional

What G.A.L. Needs to Know For Ordering "N" Locks

- What model lock is being replaced: **"N" Interlock** or **"M" Interlock**
 - If **"M" interlock** is being replaced an adaptor kit is required: **Part No. INT22-0023L/R**
- Advise type of door: **"swing"** or **"slide"**
- Advise hand from outside of elevator looking in. What side is lock or strike jamb located: **"left"** or **"right"**
- What direction is the shaft pointing towards coming out of the switch box: **"side wall"** or **"back of elevator"**
- How long does the shaft need to be? If not standard length, is a shaft support (**Part No. INT25-0011N**) required?
- What keeper is required: **"Surface", "Flush", "Kalamein", etc.**
- Roller arm supplied is 4 1/2" C.L. Would a different size be needed instead? (See roller arm listing in table below)
- Mounting hardware is not supplied, due to varying field conditions.

N Interlock Standard Roller Arm Shaft Lengths

Standard length outside of box:

- Swing door, shaft from the back: 9" long
- Swing door, shaft from the side: 7" long
- Sliding door, shaft from the side: 6" long
- Sliding door, shaft from the back: 9" long
- Sliding door, shaft from the back: 8 1/4" long (Fig. 4B)
- Sliding door, shaft thru the cover: 2 3/4" long (Fig. 4)

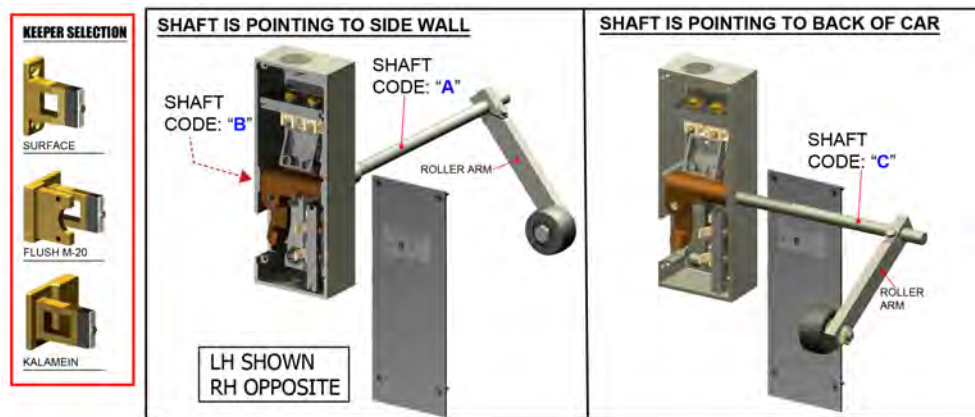
• **Extra charge:** If an installation requires a shaft to be longer than the standard length, an extra charge per foot will be added to the base price.

List Price: \$10.00 per foot

Interlock Replacement Shaft Code

To replace an interlock shaft, match the shaft code to the shaft configuration shown in parts section on pg. 390

N Interlock (For Swing Doors)



N Interlock (For Swing Doors)

Shaft is pointing to side wall. Use M/N key.

Part No.	Keeper Type	Roller Arm	List Price
INT22-0001L/R	Surface	4 1/2" C.L.	\$170.00
INT22-0059L/R	Surface	3" C.L.	\$170.00
INT22-0068L/R	Surface	7 1/2" C.L.	\$170.00
INT22-0002L/R	Flush M-20	4 1/2" C.L.	\$170.00
INT22-0060L/R	Flush M-20	3" C.L.	\$170.00
INT22-0071L/R	Flush M-20	7 1/2" C.L.	\$170.00
INT22-0003L/R	Kalamein	4 1/2" C.L.	\$170.00
INT22-0069L/R	Kalamein	7 1/2" C.L.	\$170.00

N Interlock (For Swing Doors)

Shaft is pointing to back of car. Use M/N key.

Part No.	Keeper Type	Roller Arm	List Price
INT22-0004L/R	Surface	4 1/2" C.L.	\$170.00
INT22-0061L/R	Surface	3" C.L.	\$170.00
INT22-0070L/R	Surface	7 1/2" C.L.	\$170.00
INT22-0005L/R	Flush M-20	4 1/2" C.L.	\$170.00
INT22-0072L/R	Flush M-20	7 1/2" C.L.	\$170.00
INT22-0006L/R	Kalamein	4 1/2" C.L.	\$170.00

DOOR EQUIPMENT

Interlock Assemblies (Manual Doors)

Conventional

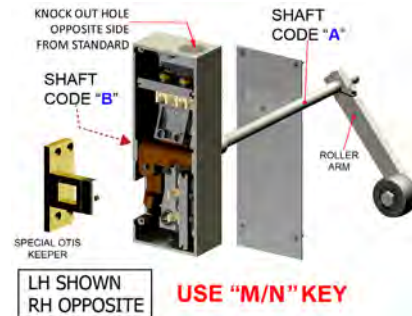
N Interlock (For Swing Doors) - WECO Replacement



For existing Westinghouse lock with special WECO keeper, shaft pointing to side wall. Includes mounting angles.

Part No.	Shaft Code	Roller Arm	List Price
INT22-0008L/R	"A" & "B"	4 1/2" C.L.	\$241.00

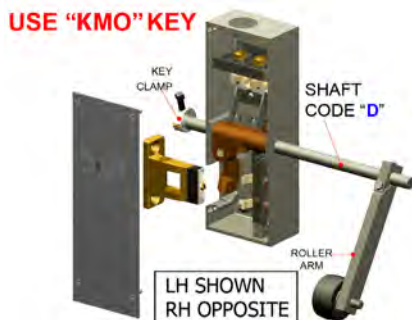
N Interlock (For Swing Doors) - OTIS



For existing OTIS "L" lock with special OTIS keeper, shaft pointing to side wall.

Part No.	Shaft Code	Roller Arm	List Price
INT22-0009L/R	"A" & "B"	4 1/2" C.L.	\$185.00

N Interlock (For Sliding Doors) - Standard



With surface keeper, shaft pointing to side wall.

Part No.	Shaft Code	Roller Arm	List Price
INT22-0007L/R	"D"	4 1/2" C.L.	\$170.00

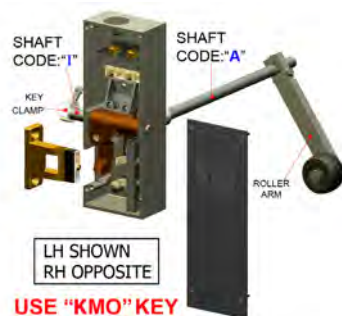
N Interlock (For Sliding Doors) - Fig. 4



With surface keeper, shaft thru cover pointing to back of car.

Part No.	Shaft Code	Roller Arm	List Price
INT22-0042L/R	"G" & "H"	4 1/2" C.L.	\$262.00

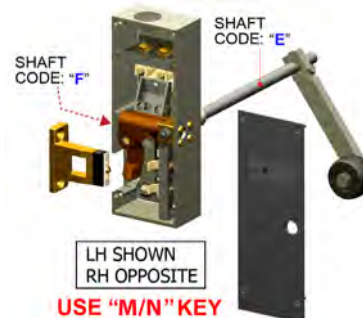
N Interlock (For Sliding Doors) - Fig. 4A



With sliding door keeper, shaft pointing out to the back of car.

Part No.	Shaft Code	Roller Arm	List Price
INT22-0043L/R	"A" & "I"	4 1/2" C.L.	\$170.00

N Interlock (For Sliding Doors) - Fig. 4B



With surface keeper, shaft pointing out to the back of car. Keyhole is within cover.

Part No.	Shaft Code	Roller Arm	List Price
INT22-0044L/R	"E" & "F"	4 1/2" C.L.	\$262.00

Interlock Assemblies

DOOR EQUIPMENT

Interlock Assemblies (Manual Doors)

“NHA” Housing Authority Type

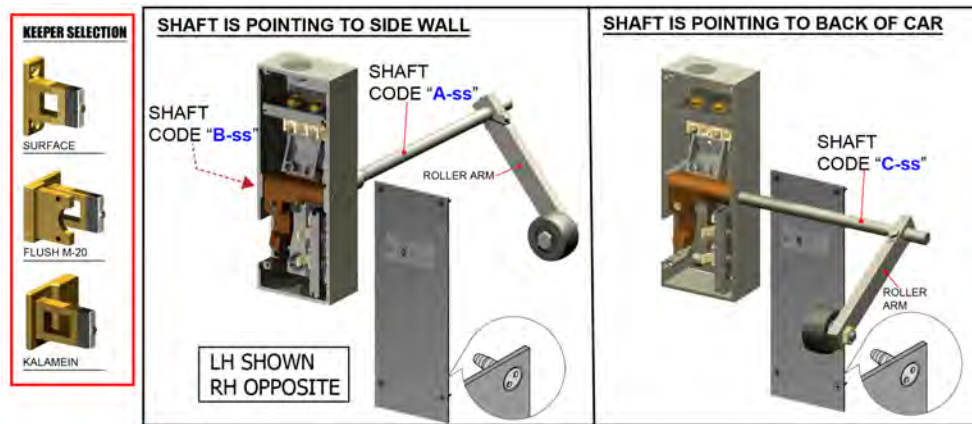
NHA Interlock Standard Roller Arm Shaft Lengths

- **Extra charge:** If an installation requires a shaft to be longer than the standard length, an extra charge per foot will be added to the base price. **List Price: \$10.00 per foot**

Interlock Replacement Shaft Code

To replace an interlock shaft, match the shaft code to the shaft configuration shown in parts section on pg. 390

NHA Interlock (For Swing Doors)



- Supplied with stainless steel shafts and spanner screws on cover & keeper
- Mounting hardware is not supplied due to varying field conditions.

NHA Interlock (For Swing Doors)

Shaft is pointing to side wall. Use M/N key.

Part No.	Keeper Type	Roller Arm	List Price
INT22-0026L/R	Surface	4 1/2" C.L.	\$185.00
INT22-0027L/R	Flush M-20	4 1/2" C.L.	\$185.00
INT22-0028L/R	Kalamein	4 1/2" C.L.	\$185.00

NHA Interlock (For Swing Doors)

Shaft is pointing to back of car. Use M/N key.

Part No.	Keeper Type	Roller Arm	List Price
INT22-0029L/R	Surface	4 1/2" C.L.	\$185.00
INT22-0030L/R	Flush M-20	4 1/2" C.L.	\$185.00
INT22-0031L/R	Kalamein	4 1/2" C.L.	\$185.00

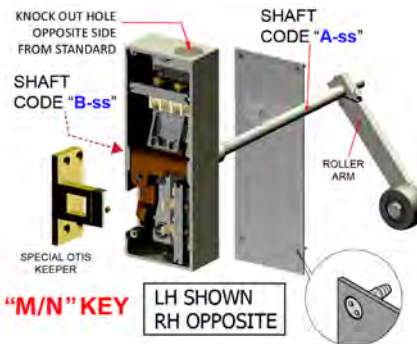
NHA Interlock (For Sliding Doors)



With surface keeper, shaft pointing to side wall.

Part No.	Shaft Code	Roller Arm	List Price
INT22-0032L/R	“D-ss”	4 1/2" C.L.	\$185.00

NHA Interlock (For Swing Doors) - OTIS



For existing OTIS “L” lock with special OTIS keeper, shaft pointing to side wall.

Part No.	Shaft Code	Roller Arm	List Price
INT22-0034L/R	“A-ss” & “B-ss”	4 1/2" C.L.	\$201.00

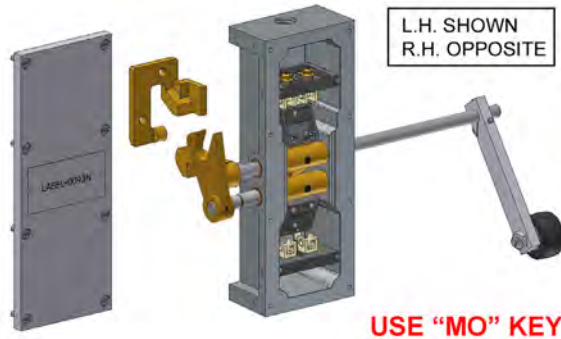
DOOR EQUIPMENT

Interlock Assemblies (Manual Doors)

Retiring Cam Operated - Dust/Explosion Resistant

WX Interlock - Swing Door

INT18-0003L/R



CSA certified, NEMA 7 & 9, Class 1 Group D, Class II Group E, F, G. California approved # 4637-1, Pennsylvania # 4912. Not UL listed
List Price: \$709.00

WX Interlock - Slide Door

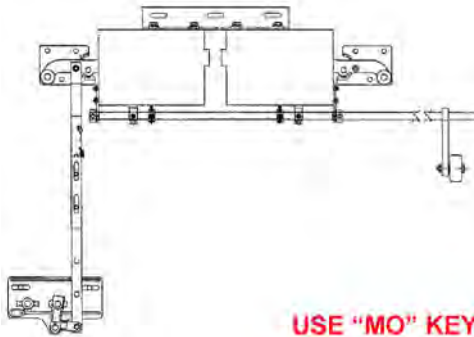
INT18-0004L/R



CSA certified, NEMA 7 & 9, Class 1 Group D, Class II Group E, F, G. California approved # 4637-1, PENN # 4912. Not UL listed
List Price: \$786.00

MOX-CP-RC Interlock

INT3-0037N*



Custom Engineered For C/P & 2SP/CP Doors. NOT NEMA 7, UL listed, nor CSA certified. B link supplied with stainless steel shaft. Hatch doors must be ungeared (no bumpers)
List Price: \$2,009.00

MOX-RC Interlock

INT3-0036L/R



Custom Engineered For S/S & 2/SP Doors. NOT NEMA rated, UL listed, nor CSA certified. With 11 1/2" long stainless steel shaft
List Price: \$709.00

Interlock
Assemblies

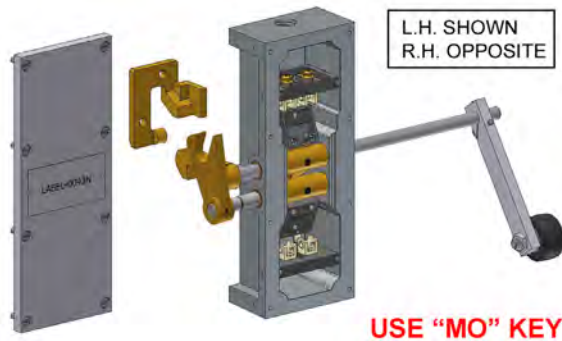
DOOR EQUIPMENT

Interlock Assemblies (Manual Doors)

Retiring Cam Operated - Water Resistant

WP Interlock - Swing Door

INT18-0001L/R



NEMA 4 and CSA certified, NOT UL listed
List Price: \$616.00

WP Interlock - Slide Door

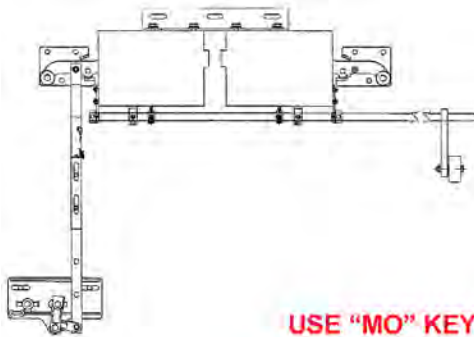
INT18-0002L/R



Note: NEMA 4 and CSA certified, NOT UL listed
List Price: \$616.00

MOW-CP-RC Interlock

INT3-0035N*



Custom Engineered For C/P & 2SP/CP Doors. All shafts are stainless steel. Locks have neoprene gaskets between cover and box. NOT NEMA rated, UL listed nor CSA certified. B Link supplied with stainless steel shaft. Hatch doors must be ungeared (no bumpers)
List Price: \$2,009.00

MOW-RC Interlock

INT3-0034L/R*



Custom Engineered For S/S & 2/SP Doors. All shafts are stainless steel 11 1/2" long. Locks have neoprene gaskets between cover and box. NOT NEMA rated, UL listed nor CSA certified
List Price: \$709.00

DOOR EQUIPMENT

Interlock Accessories

Emergency Key Box and Parts

Flush Mounted



Surface Mounted



Note: Key not included with key box. Key is sold separately.

Note: Key not included with key box. Key is sold separately.

Part No.	Description	List Price
INT1H-0051N	Box, Flush/SS #4 Satin Emergency Key	\$50.00
INT1H-0052N	Box, Flush/SS Mirror Emergency Key	\$124.00
INT1H-0053N	Box, Flush/MZ #4 Satin Emergency Key	\$73.00
INT1H-0054N	Box, Flush/MZ Mirror Emergency Key	\$193.00
INT1H-0055N	Box, Flush/MZ #1 OXZ Emergency Key	\$145.00
INT1H-0056N	Box, Flush/MZ #2 OXZ Emergency Key	\$145.00
INT1H-0057N	Box, Flush/MZ #3 OXZ Emergency Key	\$145.00

Part No.	Description	List Price
INT1H-0044N	Box, Surface/SS #4 Satin Emergency Key	\$81.00
INT1H-0045N	Box, Surface/SS Mirror Emergency Key	\$154.00
INT1H-0046N	Box, Surface/MZ #4 Satin Emergency Key	\$104.00
INT1H-0047N	Box, Surface/MZ Mirror Emergency Key	\$224.00
INT1H-0048N	Box, Surface/MZ #1 OXZ Emergency Key	\$161.00
INT1H-0049N	Box, Surface/MZ #2 OXZ Emergency Key	\$161.00
INT1H-0050N	Box, Surface/MZ #3 OXZ Emergency Key	\$161.00

Hammer
INT1H-0172N



Hammer, Emergency Key Box Stainless Steel
List Price: \$31.00

Hammer
INT1H-0173N



Hammer, Emergency Key Box Muntz
List Price: \$54.00

Emergency Key Box Glass
INT1H-0171N



Glass, Red, Emergency Key Box, 2 1/2" x 2 1/2" x 3/32" Thick
List Price: \$9.40

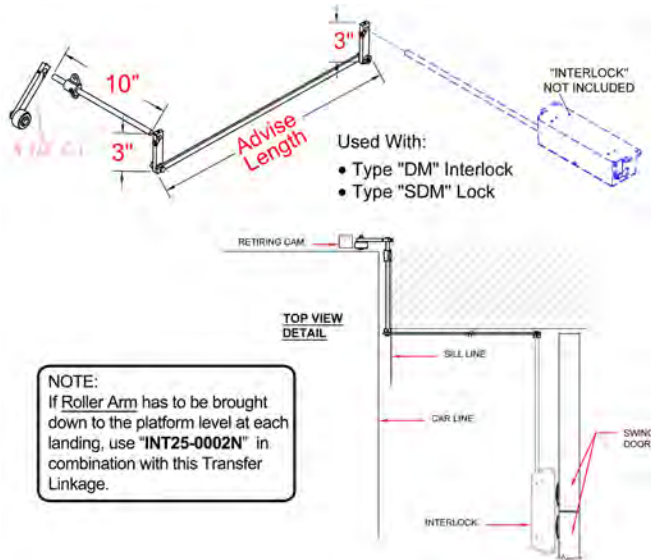
Interlock Accessories

DOOR EQUIPMENT

Interlock Accessories

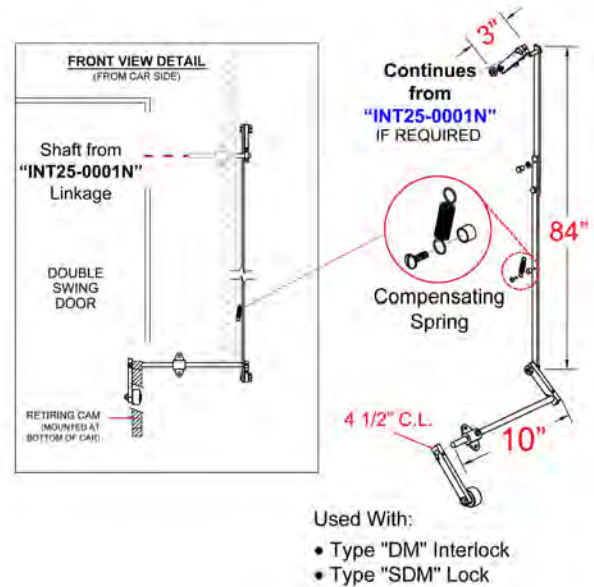
Transfer Linkage

INT25-0001N



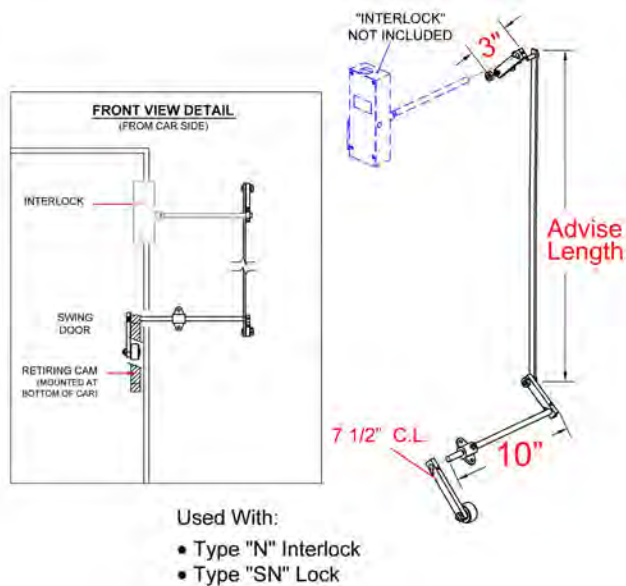
Linkage, Interlock Transfer, Drawing No. 5087-S
 Where Used: CALL GAL FOR MORE INFORMATION
 List Price: \$102.00

INT25-0002N



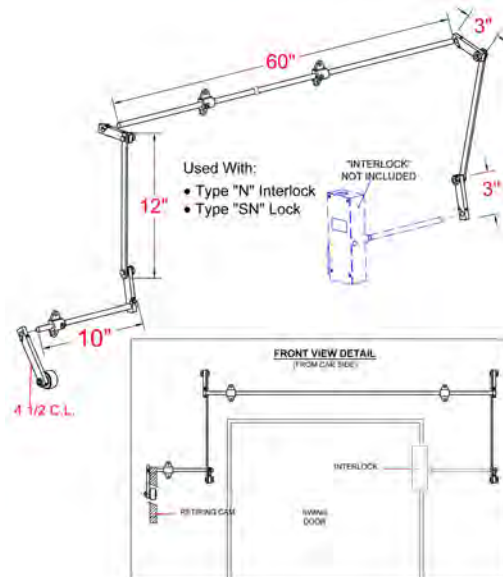
Linkage, Interlock Transfer, With Long Link & Compensating Spring, Drawing No. 5087-S
 Where Used: CALL GAL FOR MORE INFORMATION
 List Price: \$127.00

INT25-0003N



Linkage, Interlock Transfer, Drawing No. 5089-S
 Where Used: CALL GAL FOR MORE INFORMATION
 List Price: \$90.00

INT25-0004N



Linkage, Interlock Transfer, Drawing No. 5113-S Fig. 2
 Where Used: CALL GAL FOR MORE INFORMATION
 List Price: \$241.00

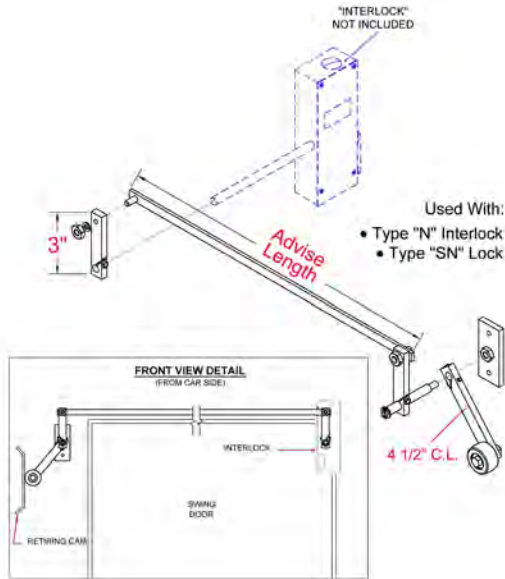
Interlock Accessories

DOOR EQUIPMENT

Interlock Accessories

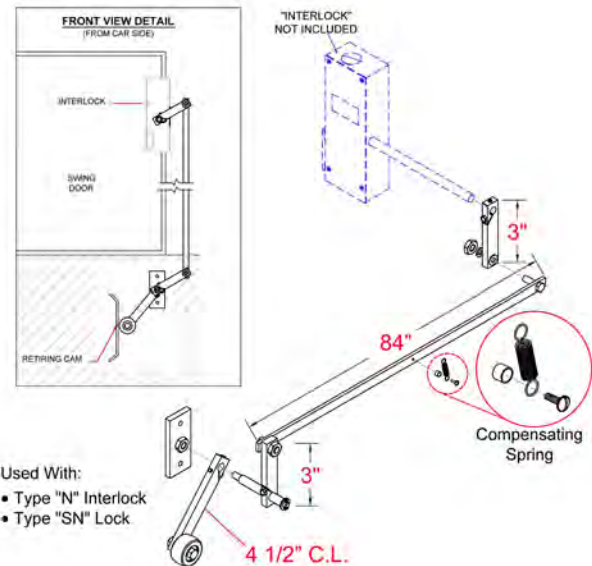
Transfer Linkage

INT25-0005N



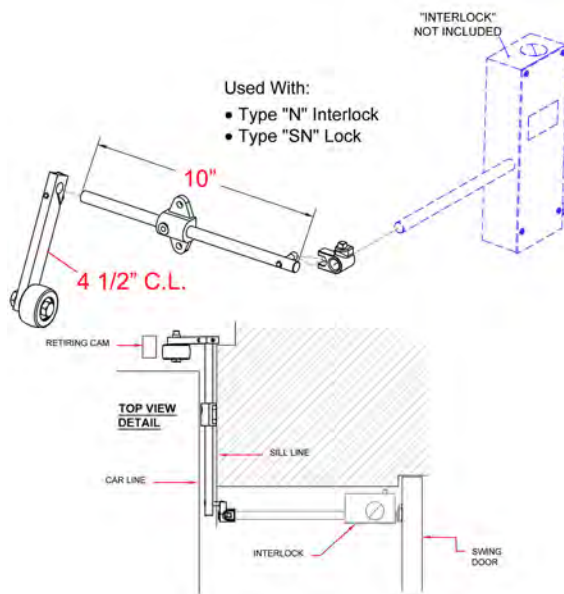
Linkage, Interlock Transfer, Drawing No. 5113-S Fig.3
 Where Used: CALL GAL FOR MORE INFORMATION
 List Price: \$102.00

INT25-0006N



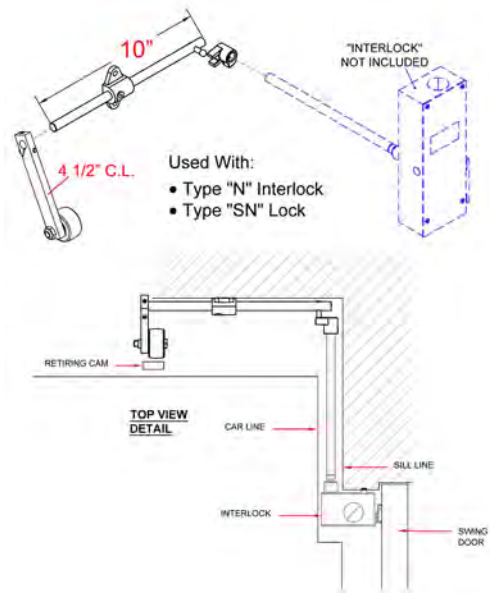
Linkage, Interlock Transfer, With Long Link & Compensating Spring, , Drawing No. 5113-S Fig. 3
 Where Used: CALL GAL FOR MORE INFORMATION
 List Price: \$127.00

INT25-0007N



Linkage, Interlock Transfer, Drawing No. 5129-S
 Where Used: CALL GAL FOR MORE INFORMATION
 List Price: \$59.00

INT25-0008N



Linkage, Interlock Transfer, Drawing No. 5129-S1
 Where Used: CALL GAL FOR MORE INFORMATION
 List Price: \$59.00

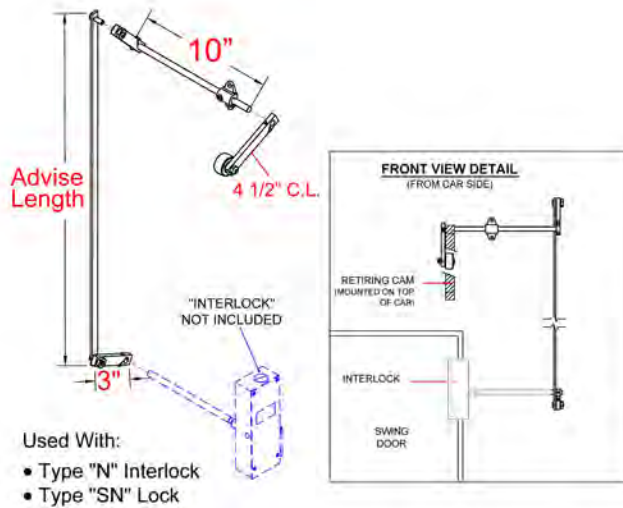
Interlock Accessories

DOOR EQUIPMENT

Interlock Accessories

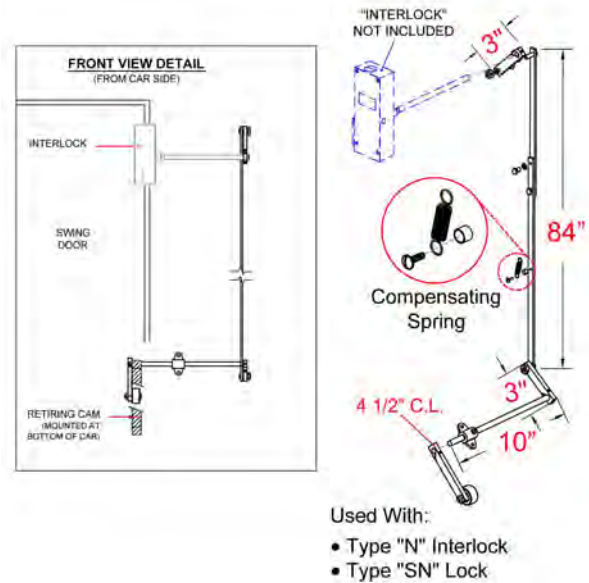
Transfer Linkage

INT25-0009N



Linkage, Interlock Transfer, With 12" Link, Drawing No. SK-3597A
 Where Used: CALL GAL FOR MORE INFORMATION
 List Price: \$102.00

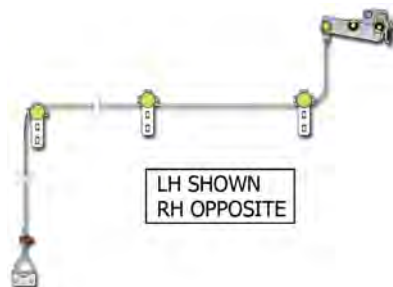
INT25-0010N



Linkage, Interlock Transfer, With Long Link & Compensating Spring, Drawing No. SK-3597A
 Where Used: CALL GAL FOR MORE INFORMATION
 List Price: \$127.00

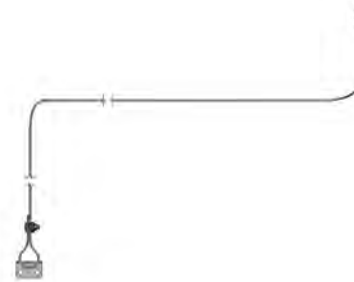
Pit "MO" Interlock Access Device

INT1H-0500L/R



Pit "MO" Interlock Access Device Assembly
 List Price: \$120.00

INT1H-0503N



Cable Anchor Assembly, Pit "MO" Interlock Access
 List Price: \$36.00

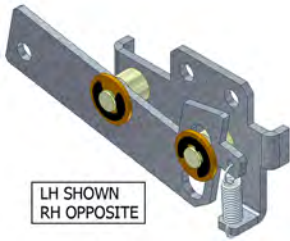
Interlock Accessories

DOOR EQUIPMENT

Interlock Accessories

Pit "MO" Interlock Access Device

INT1H-0501L/R



LH SHOWN
RH OPPOSITE

Lever Assembly, Pit "MO" Interlock Access
List Price: \$50.00

INT1H-0502N



Pulley Assembly, Pit "MO" Interlock Access
List Price: \$15.00

INT1H-0504N



Hardware, Pit "MO" Interlock Access Mounting
List Price: \$9.00

SPG-0085N



Extension Spring For Pit "MO" Interlock Access Device, 1.25" Lg X 0.035 Dia Wire
List Price: \$2.00

Miscellaneous

Jumper (MO)

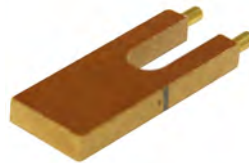
INT1H-0035N



Jumper, MO Interlock
Where Used: All MO Interlocks
List Price: \$24.80

Jumper (M/N)

INT5-0029N



Jumper, M/N Interlock
Where Used: N, M, SM, SN
List Price: \$12.40

Jumper (M/N/MO)

INT5-0042N



Jumper, M/N/MO Combo Interlock
Where Used: All MO Interlocks, M, N, SM, SN
List Price: \$24.80

Keys (MO)

INT1H-0034N



Key, MO Interlock
Where Used: All MO, K Series, VR, DM, SDM, M, N, SM, SN Slide Doors Only, And Straight Arm Closers
List Price: \$13.00

Keys (VHA-1)

INT1H-0129N



Key, Type VHA-1 Emergency, For MOHA Interlocks
Where Used: MOCPHA, MOHA
List Price: \$12.40

Keys (M/N)

INT5-0030N



Key, M/N Interlock
Where Used: M, N, NHA, SM, SN
List Price: \$13.00

Interlock
Accessories

DOOR EQUIPMENT

Interlock Accessories

Miscellaneous

Key Clamps (KMO)

INT1H-0157N



Description
 Clamp Set, KMO Emergency Key
 Where Used: All MO Interlocks
 List Price: \$18.60

Key Clamps

INT5-0028N



Description
 Clamp, Emergency Unlocking
 Where Used: SN, SM, DM, DM-MH, NHA, SDM, M, N
 List Price: \$7.00

Non-Reversing Device (HD)

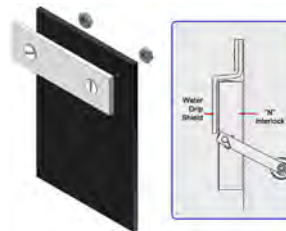
INT9-0002N



Description
 Device, "HD" Non-Reversing, Used For Non-GAL Straight Arm Closers, With "HD" Lock
 List Price: \$50.00

Water Deflector Shield (N)

INT22-0056N



Description
 Shield, "N" Neoprene Interlock Water Deflector
 List Price: \$18.60

Adaptor Kit (N/NHA)

INT22-0023L/R



L.H. SHOWN
 R.H. OPPOSITE

Description
 Adaptor Kit, "N/NHA" Interlock. Used For Replacing "M" Interlocks With A New "N" Interlock
 List Price: \$12.40

Pull Strap (VP)

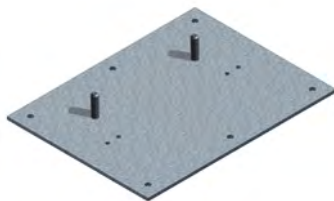
INT13-0013N



Description
 Strap, "VR" 36" Lg. Pull, Cotton 2 Ply, Used With "VR" Lock To Pull Vertical Rise Door Closed
 List Price: \$24.80

Reinforcement Plates

INT1H-0215N



Plate, Interlock Reinforcement With Studs, With (2) 1/4-20 x 1" Lg Self-Clinching Zinc Studs
 Where Used: MOH, MOCPH
 List Price: \$15.40

Reinforcement Plates

INT1H-0220N



Plate, Interlock Hat Mounting Reinforcement With Studs, With (4) 1/4-20 x 1" Lg Self-Clinching Zinc Studs
 Where Used: MOH, MOCPH
 List Price: \$43.00

Reinforcement Plates

INT3-0049N



Plate, Interlock Reinforcement With Studs, Yellow Zinc Dichromate With (2) 1/4-20 x 1" Lg Self-Clinching Zinc Studs
 Where Used: MOWH
 List Price: \$30.60











Interlock
 Accessories

DOOR EQUIPMENT

Interlock Parts

Angles, Brackets, Channels, and Plates

Switch Mounting Angles

<p>INT13-0003N</p>	<p>INT1H-0041N</p>	<p>INT1H-0042N</p>	<p>INT1H-0342N</p>
			
<p>Angle, VR Interlock Mounting Where Used: VR List Price: \$37.00</p>	<p>Angle, S/S - C/P "MOES" Mounting Where Used: All MOM, MOXH, MO, MOCPH, MOCPHA, MOH, MOHA List Price: \$18.60</p>	<p>Angle, 2/SP - 2SP/CP "MOES" Mounting Where Used: MOXH, MO, MOH, MOHA, MOM List Price: \$18.60</p>	<p>Angle, C/P MAC Interlock Mounting, For Standard GAL Tracks Where Used: MOH List Price: \$37.00</p>
<p>INT1H-0343L/R</p>	<p>INT3-0031N</p>	<p>INT3-0032N</p>	<p>INT1H-0184N</p>
			
<p>Angle, 2/SP MAC Interlock Mounting, For Standard GAL Tracks Where Used: MOH List Price: \$37.00</p>	<p>Angle, S/S - C/P "MOES" Mounting, Yellow Zinc Dichromate Where Used: MOWH List Price: \$56.00</p>	<p>Angle, 2/SP "MOES" Mounting, Yellow Zinc Dichromate Where Used: MOWH List Price: \$56.00</p>	<p>Bracket, MO Interlock Switch Mounting, S/S 20"-48" D.O., Lock Bottom Mounted 3 3/4" x 3 7/16" List Price: \$18.60</p>
<p>INT1H-0070N</p>	<p>INT2H-0053N</p>	<p>INT2H-0058N</p>	<p>INT2H-0231N</p>
			
<p>Channel, MO Lock Mounting 1 3/8" List Price: \$18.60</p>	<p>Channel, MOCP/MOH Lock Mounting 2 3/16" List Price: \$44.00</p>	<p>Channel, MOCP Lock Mounting, 7 15/16" Width x 3" Height List Price: \$44.00</p>	<p>Channel, MOCP Lock Mounting 2 3/4" List Price: \$44.00</p>

Interlock Parts

DOOR EQUIPMENT

Interlock Parts

Angles, Brackets, Channels, and Plates

Switch Mounting Plates

INT1H-0031N



Plate, Switch Track Mounting 2" CL, 3 3/4" x 2 7/8" # 11 Gauge
Where Used: MO Interlocks & Gate Switches
List Price: \$12.40

INT3-0021N



Plate, Switch Track Mounting 2" CL, 3 3/4" x 2 7/8" # 11 Gauge, Yellow Zinc Dichromate
List Price: \$15.40

INT1H-0058N



Plate, C/P 60"-144" D.O. 1" Offset Switch MO Mounting, 4 3/4" x 3" x # 11 Gauge
List Price: \$12.40

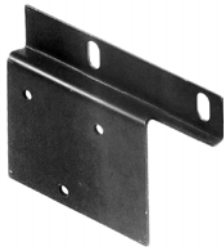
INT1H-0077N



Plate, 1" Offset Notched 2/SP-CP Lg Open, 4 3/4" x 3" x # 11 Gauge
List Price: \$18.60

Keeper Door Mounting Plates

INT1H-0071N



Plate, MO Keeper Mounting
Where Used: All MOM, MO, MOCPH, MOCPHA, MOH, MOHA
List Price: \$44.00

INT1H-0043N



Plate, MO Keeper Door Mounting, 10 3/4" x 3 1/4" x 10 Gauge
Where Used: All MOM, MOXH, MOH, MOCPH
List Price: \$50.00

INT1H-0072N



Plate, MO Keeper & Reel Closer Door Mounting, 10 3/4" x 3 1/4" x 10 Gauge
Where Used: All MOM, MOH, MOCPH
List Price: \$50.00

INT2H-0201L/R



L.H. SHOWN
R.H. OPPOSITE

Plate, MOH/MOCPH Keeper Door Mounting - 3/4" Offset
Where Used: MOCPH, MOH
List Price: \$65.00

INT2H-0204L/R



L.H. SHOWN
R.H. OPPOSITE

Plate, MOH/MOCPH Keeper & Reel Closer Door Mounting, 1/2" Offset (Westinghouse)
Where Used: MOCPH
List Price: \$65.00

INT1H-0168N



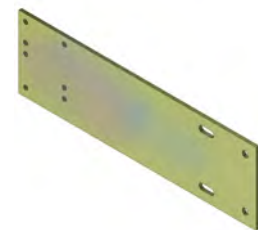
Plate, MOH Keeper Door Mounting, 3 1/4" x 10 3/16" x 11 Gauge (Westinghouse)
Where Used: MOH
List Price: \$50.00

INT3-0033N



Plate, MO Keeper Door Mounted, 10 3/4" x 3 1/4" x 10 Gauge, Yellow Zinc Dichromate
Where Used: MOWH
List Price: \$74.00

INT3-0034N



Plate, MO Keeper Door Mounting, Arranged For Reel Closer Yellow Zinc Dichromate
Where Used: MOWH
List Price: \$74.00

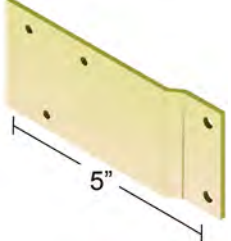
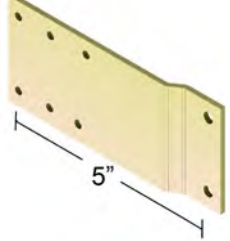


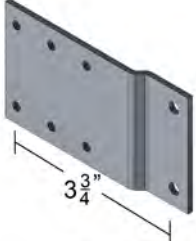







Interlock Parts

DOOR EQUIPMENT

Interlock Parts

Angles, Brackets, Channels, and Plates

Keeper Mounting Plates

<p>INT3-0048L</p>	<p>INT3-0048R</p>	<p>INT1H-0038L</p>	<p>INT1H-0038R</p>
			
<p>Plate, MO Keeper Mounting, For C/P 33"-59" D.O. (Water Resistant, Yellow Zinc Dichromate) Where Used: MOWH List Price: \$37.00</p>	<p>Plate, MO Keeper Mounting, For C/P 33"-59" D.O. (Water Resistant, Yellow Zinc Dichromate) Where Used: MOWH List Price: \$37.00</p>	<p>Plate, MO Keeper Mounting, For 2/SP HA 37"-72", C/P 33"-59" D.O. Where Used: MOCP, MOCPH, MOCPHA List Price: \$18.60</p>	<p>Plate, MO Keeper Mounting, For 2/SP HA 37"-72", C/P 33"-59" D.O. Where Used: MOCPH, MOCP List Price: \$18.60</p>
<p>INT1H-0037N</p>	<p>INT1H-0039N</p>	<p>INT1H-0040N</p>	<p>INT1H-0156N</p>
			
<p>Plate, MO Keeper Mounting, For 2/SP & 2/SP HA 30"-72", 3/SP 41"-69", 2SP/CP 58"-83" D.O. Where Used: All MOM, MO, MOH, MOHA List Price: \$18.60</p>	<p>Plate, MO Keeper Mounting, For C/P 30"-32" D.O. Where Used: MOCP, MOCPH, MOCPHA List Price: \$18.60</p>	<p>Plate, MO Keeper Mounting, For 2SP/CP 54"-57" D.O. Where Used: All MOM, MOH List Price: \$18.60</p>	<p>Plate, MO Keeper Mountings, For 2/SP 33"-36" D.O. Where Used: MO, MOH List Price: \$18.60</p>
<p>INT1H-0132L/R</p>	<p>INT1H-0345N</p>	<p>INT2H-0029N</p>	<p>INT2H-0030N</p>
			
<p>Plate, MO Keeper Mounting "OS" Where Used: All MOM, MOH, MOCPH List Price: \$18.60</p>	<p>Plate, MO Keeper Mounting Round Door Special Where Used: MOCPH, MOH List Price: \$50.00</p>	<p>Plate, MO Keeper Mounting "OS", 9 3/16" x 2 1/2" x #11 Gauge C/P Hatch - 30"-34" D.O. Where Used: MOCP, MOCPH List Price: \$24.80</p>	<p>Plate, MO Keeper Mounting "OS", 8 3/16" x 2 1/2" x #11 Gauge C/P Hatch - 35"-59" D.O. Where Used: MOCPH List Price: \$24.80</p>

Interlock Parts

DOOR EQUIPMENT

Interlock Parts

Angles, Brackets, Channels, and Plates

Keeper Mounting Plates

INT2H-0052N



Plate, MOCP/MOH Keeper Mounting, Existing Westinghouse & Otis 8 5/32" x 3 1/4" x #10 Gauge
Where Used: MOCP/MOH
List Price : \$50.00

Bars & Chains

Conventional

INT1H-0131L/R

MOHA



MO Bar, Bracket, And Keeper Assembly
Where Used: MO Bar Lock, MOCP Bar Lock
List Price: \$116.00

INT1H-0219N

MO BAR



Tubing, MO Bar Only, 33 1/4" Lg
Where Used: MO Bar Lock, MOCP Bar Lock
List Price: \$170.00

INT15-0002N

K5



Bar, K5 Interlock Upper Chain Bolt
List Price: \$77.00

INT15-0003N

K5



Bar, K5 Interlock Lower Operating
List Price: \$62.00

INT16-0009N

K1/K5



Bar, K1/K5 Interlock Locking
List Price: \$77.00

INT16-0010N

K



Bar, K Interlock Locking
List Price: \$77.00

INT15-0008N

K5



Anchor Kit, K5 Interlock Chain, With 72" Chain
List Price: \$31.00

INT15-0007N

K5



Anchor, K5 Interlock Chain
List Price: \$12.40

DOOR EQUIPMENT

Interlock Parts

Bars & Chains

Conventional

CHN-0013N



Chain, K5 Interlock #2 End Welded
Sash 36" Lg, Copper Plated
List Price: \$9.40

CHN-0014N



Chain, K5 Interlock #2 End Welded
Sash 72" Lg, Copper Plated
List Price: \$18.60

Cams

Conventional

INT13-0006L/R



VR

Cam Assembly, VR Interlock
List Price: \$65.00

INT16-0007N



K1/K5

Cam, K1/K5 Interlock Contact
List Price: \$56.00

INT16-0008N



K

Cam, K Interlock Contact
List Price: \$56.00

INT5-0012L/R



M

LH SHOWN
RH OPPOSITE

Cam Locking, M Interlock
List Price: \$47.00

INT22-0050L/R



N (SPECIAL)
FIG. 4 & 4B

LH SHOWN
RH OPPOSITE

Cam Locking, "N" Interlock Slide Door, Short,
Fig. 4 & 4B
List Price: \$93.00

INT7-0004N



DM/DM-MH

Cam, DM/DM-MH Interlock Locking
List Price: \$47.00

Interlock
Parts

DOOR EQUIPMENT

Interlock Parts

Cams

Vandal Resistant/Dust/Explosion Resistant

INT22-0016L/R

N/NHA



LH SHOWN
RH OPPOSITE

Cam Locking, N/NHA Interlock
List Price: \$47.00

INT18-0020N

WP/WX



Cam, WP/WX Retiring Cam Contact
List Price: \$62.00

INT18-0021N

WP/WX



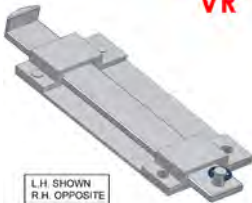
Cam, WP/WX Door Contact
List Price: \$62.00

Latch Assemblies & Parts

Conventional

INT13-0005L/R

VR

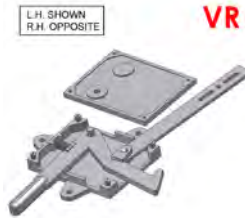


L.H. SHOWN
R.H. OPPOSITE

Locking Bolt Assembly, VR Interlock
List Price: \$47.00

INT13-0009L/R

VR



L.H. SHOWN
R.H. OPPOSITE

Latch Assembly, VR Interlock
List Price: \$98.00

INT13-0010N

VR



Latch, VR Interlock Center
List Price: \$70.00

INT13-0012N

VR



Link Size (L):
(1/2 x D.O)-15"

Link, VR Interlock Connecting
List Price: \$31.00

INT7-0016N



Latch, Mechanical Hold Snap
Where Used: DM-MH, SDM-MH
List Price: \$77.00

INT7-0017N



Keeper, Mechanical Hold
Where Used: SDM, DM
List Price: \$31.00

Interlock
Parts

DOOR EQUIPMENT

Interlock Parts

Cams and Latch Assemblies

Dust/Explosion Resistant

INT18-0022L/R	INT18-0024L/R	INT18-0023L/R	INT18-0025L/R
<p>WP/WX SWING 5 3/4"</p> <p>LH SHOWN RH OPPOSITE</p>	<p>WP/WX SLIDE 4 3/4"</p> <p>LH SHOWN RH OPPOSITE</p>	<p>WP/WX SWING</p> <p>LH SHOWN RH OPPOSITE</p>	<p>WP/WX SLIDE</p> <p>LH SHOWN RH OPPOSITE</p>
<p>Cam, WP/WX Swing Door, Door Forked List Price: \$62.00</p>	<p>Cam, WP/WX Slide Door, Door Forked List Price: \$62.00</p>	<p>Latch, WP/WX Swing Door List Price: \$62.00</p>	<p>Latch, WP/WX Slide Door List Price: \$62.00</p>

Contacts

Contact Kits

INT9-0004N	INT5-0014N	INT5-0015N	INT2H-0017R
<p>HD</p>	<p>M-UPPER</p>	<p>M-LOWER</p>	<p>MOC-P-KT</p>
<p>Contact Kit, HD Interlock List Price: \$50.00</p>	<p>Contact Kit, M Interlock Upper List Price: \$34.00</p>	<p>Contact Kit, M Interlock Lower Where Used: M, SM, CSM List Price: \$34.00</p>	<p>Contact Kit, MOC-P-KT Where Used: MOC-P, MOC-PH, MOC-PH10, MOC-PHA List Price: \$27.80</p>
INT1H-0036R	INT1H-0036L	INT22-0020N	INT22-0058N
<p>MO-KT</p>	<p>MO-KT/MOC-P-KT</p>	<p>N</p>	<p>NHA</p>
<p>Contact Kit, MO-KT Where Used: All MOM, MO, MOH List Price: \$27.80</p>	<p>Contact Kit, MO-KT/MOC-P-KT Where Used: All MOM, MO, MO10, MOC-P, MOC-PH, MOH List Price: \$27.80</p>	<p>Contact Kit, "N" Interlock Lower List Price: \$34.00</p>	<p>Contact Kit, NHA Interlock Lower, With Spanner Head Screws List Price: \$34.00</p>





Interlock Parts

DOOR EQUIPMENT

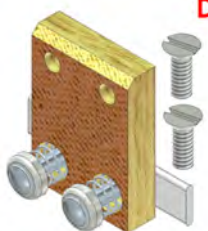





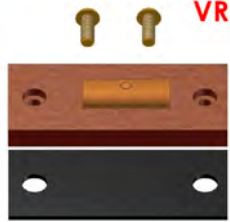

Interlock Parts

Contacts

Contact Kits

INT22-0019N	INT13-0008N	INT18-0011N	INT18-0013N
 <p>N/NHA</p>	 <p>VR</p>	 <p>WP/WX</p>	 <p>WP/WX</p>
<p>Contact Kit, N/NHA Interlock Upper List Price: \$34.00</p>	<p>Contact Kit, VR Interlock List Price: \$37.00</p>	<p>Contact Kit, WP/WX Retiring Cam List Price: \$36.00</p>	<p>Contact Kit, WP/WX Door List Price: \$36.00</p>

Bridging Contacts

INT7-0006N	INT1H-0017N	INT5-0018N	INT5-0019N
 <p>DM</p>	 <p>MO</p>	 <p>M/N/NHA</p>	 <p>M/N</p>
<p>Bridging Contact, DM Interlock Cam Where Used: DM, DM-MH List Price: \$7.80</p>	<p>Bridging Contact, MO Keeper Where Used: All MO List Price: \$7.80</p>	<p>Bridging Contact, M/N/NHA Upper Cam List Price: \$7.80</p>	<p>Bridging Contact, M/N Keeper Where Used: M, N, CSM, DM, SN, SM List Price: \$7.00</p>
INT3-0010N	INT22-0057N	INT13-0007N	INT18-0015N
 <p>MOW/MOX</p>	 <p>NHA SPANNER HEAD SCREW</p>	 <p>VR</p>	 <p>WP/WX</p>
<p>Bridging Contact, MOW/MOX, Yellow Zinc Dichromate List Price: \$81.00</p>	<p>Bridging Contact, NHA Keeper, With Spanner Head Screws List Price: \$7.00</p>	<p>Bridging Contact, VR Interlock Assembly List Price: \$15.40</p>	<p>Bridging Contact, WP/WX Interlock List Price: \$7.80</p>

K, K1, K5 Interlock Contact Kits, Bridging Contact & Contact Base, Can Be Found On Pages 413-414







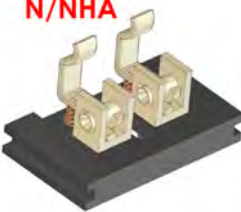





Interlock Parts

DOOR EQUIPMENT

Interlock Parts

Contacts

Contact Bases

<i>INT7-0007N</i>	<i>INT5-0016N</i>	<i>INT5-0017N</i>	<i>INT1H-0024L/R</i>
DM	M	M	MO
			
Contact Base, DM Interlock List Price: \$65.00	Contact Base, M Interlock Upper List Price: \$21.60	Contact Base, M Interlock Lower Where Used: M, SM, CSM List Price: \$21.60	Contact Base, MO Interlock Where Used: All MOM, MO, MOH, MOCPH, MOCPH10 Left Hand List Price: \$21.60
<i>INT2H-0018R</i>	<i>INT3-0009N</i>	<i>INT22-0021N</i>	<i>INT22-0022N</i>
MOCP	MOW/MOX	N/NHA	N/NHA
			
Contact Base, MOCP Interlock Where Used: MOCP, MOCPH, MOCPH10, MOCPHA List Price: \$21.60	Contact Base, MOW/MOX Interlock Assembly, Yellow Zinc Dichromate List Price: \$44.00	Contact Base, N/NHA Upper List Price: \$21.60	Contact Base, N/NHA Interlock Lower, Also Used On SN, SN-Z, & SN-C List Price: \$21.60
<i>INT10-0001N</i>	<i>INT10-0002N</i>	<i>INT18-0012N</i>	<i>INT18-0014N</i>
W	W	WP/WX	WP/WX
			
Contact Base, "W" Retiring Cam, With Black Mark List Price: \$21.60	Contact Base, "W" Door, With Red Mark List Price: \$21.60	Contact Base, WP/WX Retiring Cam, With Black Mark List Price: \$27.80	Contact Base, WP/WX Door, With Red Mark List Price: \$27.80

Interlock
Parts

K, K1, K5 Interlock Contact Kits, Bridging Contact & Contact Base, Can Be Found On Pages 413-414


DOOR EQUIPMENT

Interlock Parts

Contacts

Insulators

INS-0024N



Description
Insulator, N Interlock Upper, 2 13/32" x 1 15/16" x 1/32"
Where Used: N
List Price: \$4.80

INS-0025N



Description
Insulator, N Interlock Lower, 2 7/8" x 1 11/16" x 1/32"
Where Used: N
List Price: \$4.80

Covers

INT7-0003N

DM



Cover, Type DM Interlock (Also Used in Type SDM)
List Price: \$12.40

INT7-0015N

DM-MH



Cover, Type DM-MH Interlock (Also Used in Type SDM-MH)
List Price: \$62.00

INT9-0003N

HD



Cover, Type HD Interlock
List Price: \$9.40

INT16-0006N

K



Cover, Type K Interlock, Slide Door
List Price: \$9.40

INT16-0005N

K1



Cover, Type K1 Interlock, Swing Door
List Price: \$9.40

INT14-0003N


K5



Cover, Type K5 Interlock, Double Swing Door
List Price: \$18.60

INT5-0011N

M



Cover, Type M Interlock
List Price: \$9.40

INT1H-0014N

MO















Cover, Type MO Interlock
List Price: \$7.40

Interlock Parts

DOOR EQUIPMENT

Interlock Parts

Covers

<p>INT2H-0008N</p>  <p>MOCPH INSULATOR</p> <p>Cover, Type MOCPH Interlock List Price: \$9.40</p>	<p>INT2H-0023N</p>  <p>MOCPH-HA INSULATOR</p> <p>Cover, Type MOCPHA Interlock , With Spanner Head Screws List Price: \$9.40</p>	<p>INT2H-0047N</p>  <p>MOCPH LUCITE</p> <p>Cover, Type MOCPH Interlock Clear Lucite Type (Used For Israel Jobs) List Price: \$9.40</p>	<p>INT1H-0191N</p>  <p>MOH LUCITE</p> <p>Cover, Type MOH Interlock Clear Lucite, Includes Hardware Screws (Used For Israel Jobs) List Price: \$7.40</p>
<p>INT1H-0127N</p>  <p>MOHA INSULATOR</p> <p>Cover, Type MOHA Interlock, With Spanner Head Screws List Price: \$7.40</p>	<p>INT3W-0008L/R</p>  <p>MOW/GW GASKET</p> <p>LH SHOWN RH OPPOSITE</p> <p>Cover, Type MOW Interlock GW Gate Switch, With Hardware & Gasket Where Used: MOWH, GW List Price: \$93.00</p>	<p>INT3X-0008L/R</p>  <p>MOX/GX</p> <p>LH SHOWN RH OPPOSITE</p> <p>Cover, Type MOX Interlock GX Gate Switch, Yellow Zinc Dichromate, With Hardware Where Used: MOXH, GX List Price: \$93.00</p>	<p>INT22-0015N</p>  <p>N INSULATOR</p> <p>Cover, Type "N" Interlock List Price: \$9.40</p>
<p>INT22-0048L/R</p>  <p>N INSULATOR</p> <p>LH SHOWN RH OPPOSITE</p> <p>Cover, Type "N" Interlock Slide Door, Fig. 4 List Price: \$31.00</p>	<p>INT22-0049L/R</p>  <p>N INSULATOR</p> <p>LH SHOWN RH OPPOSITE</p> <p>Cover, Type "N" Interlock Slide Door, Fig. 4B List Price: \$31.00</p>	<p>INT22-0041N</p>  <p>NHA INSULATOR</p> <p>Cover, Type "NHA" Interlock, With Spanner Head Screws List Price: \$12.40</p>	<p>INT13-0004N</p>  <p>VR INSULATOR</p> <p>Cover, Type VR Interlock List Price: \$10.20</p>

Interlock
Parts

DOOR EQUIPMENT

Interlock Parts

Covers

INT13-0011L/R



Cover, Type VR Interlock Latch
List Price: \$12.40

INT18-0009N



Cover, Type WP Interlock, With
Gasket & Hardware
List Price: \$77.00

INT18-0010N



Cover, Type WX Interlock, With
HDW Hardware
List Price: \$124.00

Keeper Assemblies

INT1H-0016L/R



Keeper Assembly, MO Interlock
Where Used: MO, MOCPH, MOH,
MOM
List Price: \$47.00

INT23-0009L/R



Keeper Assembly, MOH10 Interlock
List Price: \$102.00

INT23-0010L/R



Keeper Assembly, MOHRD10
Interlock, Keeper Bent For Round
Elevators
List Price: \$102.00

INT2H-0015N



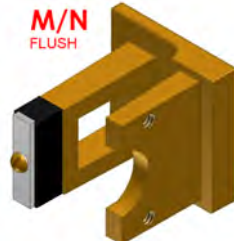
Keeper Fixed, MOCPH Interlock
List Price: \$31.00

INT4-0001N



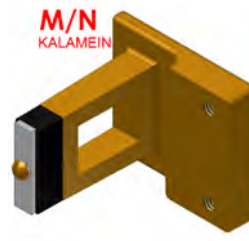
Keeper, M/N Interlock Swing Door,
Surface Mounted
Where Used: SN-C, CSM, M, N,
SM, SN,
List Price: \$31.00

INT4-0002N



Keeper, M/N Interlock Swing Door,
Flush Mounted
Where Used: M, N, SM, SN
List Price: \$62.00

INT4-0003N



Keeper, M/N Interlock Swing Door,
Kalamein
Where Used: M, N, SM, SN
List Price: \$47.00

INT4-0004N




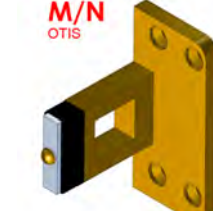

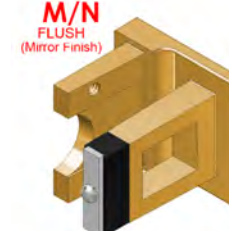

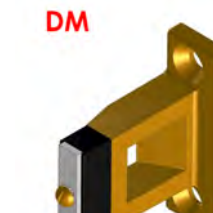

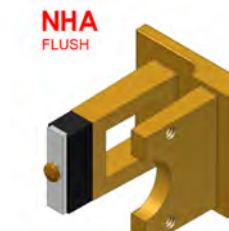



Keeper, M/N Interlock Slide Door
Where Used: M, N, SM, SN
List Price: \$31.00

Interlock
Parts

DOOR EQUIPMENT

Interlock Parts

Keeper Assemblies

<p>INT4-0005N</p> <p>M/N FLUSH (Westinghouse)</p>  <p>Keeper, M/N Interlock Westinghouse Swing, For Existing Westinghouse Where Used: M, N, SM, SN List Price: \$47.00</p>	<p>INT4-0006N</p> <p>M/N OTIS</p>  <p>Keeper, M/N Interlock OTIS Swing Door, For Existing OTIS Where Used: M, N List Price: \$47.00</p>	<p>INT4-0007L/R</p> <p>ME</p>  <p>LH SHOWN RH OPPOSITE</p> <p>Keeper, "ME" Interlock Swing Door Where Used: M or N When Replacing An "E" Interlock List Price: \$77.00</p>	<p>INT4-0008N</p> <p>M/N FLUSH (Mirror Finish)</p>  <p>Keeper, M/N Interlock Swing Mirror Finished, Flush Mounted Where Used: M, N, SM, SN List Price: \$101.00</p>
<p>INT4-0009N</p> <p>M/N KALAMEIN (Mirror Finish)</p>  <p>Keeper, M/N Interlock Swing Mirror Finished, Kalamein Where Used: N, SM, M List Price: \$85.00</p>	<p>INT7-0012N</p> <p>DM</p>  <p>Keeper, DM Interlock Where Used: SDM, DM, DM-MH List Price: \$31.00</p>	<p>INT4-0011N</p> <p>NHA SURFACE</p>  <p>Keeper, NHA Interlock Swing Door, Surface Mounted Lock With Spanner Head Screw Where Used: NHA List Price: \$31.00</p>	<p>INT4-0012N</p> <p>NHA FLUSH</p>  <p>Keeper, NHA Interlock Swing Door, Flush Mounted Lock With Spanner Head Screw Where Used: NHA List Price: \$62.00</p>
<p>INT3-0011L/R</p> <p>MOW/MOX</p>  <p>LH SHOWN RH OPPOSITE</p> <p>Keeper Assembly, MOW/MOX Interlock, Yellow Zinc Dichromate Where Used: MOWH, MOXH List Price: \$93.00</p>	<p>INT18-0018L/R</p> <p>WP/WX SWING</p>  <p>LH SHOWN RH OPPOSITE</p> <p>Keeper, WP/WX Interlock Swing Where Used: WX, WP List Price: \$62.00</p>	<p>INT18-0019L/R</p> <p>WP/WX SLIDE</p>  <p>LH SHOWN RH OPPOSITE</p> <p>Keeper, WP/WX Interlock Slide Where Used: WX, WP List Price: \$62.00</p>	

Interlock Parts

DOOR EQUIPMENT

Interlock Parts

Release Roller Assemblies (MO)

Conventional

"MOH" Horizontal Releases



Note: Release roller assemblies for MOCP & MOCPH interlocks use left hand ONLY.

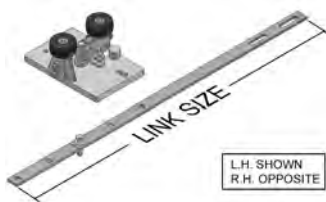
Part No.	S/S	2/SP	3/SP	C/P	2SP/CP	Link	Size	List Price
INT1H-0135L/R	20"-29"			33"-39"	33"-39"	"A"	14 3/4"	\$47.00
INT1H-0022L/R	30"-39"	30"-39"		40"-49"	40"-49"	"B"	18 3/4"	\$47.00
INT1H-0136L/R	40"-44"	40"-44"		50"-59"	50"-59"	"C"	22 3/4"	\$47.00
INT1H-0137L/R	45"-48"	45"-52"	30"-54"	60"-79"	60"-79"	"D"	26 3/4"	\$47.00
INT1H-0138L/R		53"-60"	55"-64"	80"-83"	80"-83"	"E"	30 3/4"	\$59.00
INT1H-0139L/R		61"-72"	65"-69"			"F"	36 3/4"	\$59.00

"MOH" Horizontal Releases (Cut Down to 2 1/8")



Part No.	S/S	2/SP	3/SP	C/P	2SP/CP	Link	Size	List Price
INT1H-0140L/R	20"-29"			33"-39"	33"-39"	"A"	14 3/4"	\$62.00
INT1H-0092L/R	30"-39"	30"-39"		40"-49"	40"-49"	"B"	18 3/4"	\$62.00
INT1H-0141L/R	40"-44"	40"-44"		50"-59"	50"-59"	"C"	22 3/4"	\$62.00
INT1H-0142L/R	45"-48"	45"-52"	30"-54"	60"-79"	60"-79"	"D"	26 3/4"	\$62.00
INT1H-0143L/R		53"-60"	55"-64"	80"-83"	80"-83"	"E"	30 3/4"	\$74.00
INT1H-0144L/R		61"-72"	65"-69"			"F"	36 3/4"	\$74.00

"MOM" Vertical Releases



Part No.	S/S	2/SP	C/P	2SP/CP	Link	Size	List Price
INT1M-0135L/R	20"-29"		30"-39"	33"-39"	"A"	14 3/4"	\$93.00
INT1M-0033L/R	30"-39"	30"-39"	40"-49"	40"-49"	"B"	18 3/4"	\$77.00
INT1M-0136L/R	40"-44"	40"-44"	50"-59"	50"-59"	"C"	22 3/4"	\$93.00
INT1M-0137L/R	45"-48"	45"-52"	60"-79"	60"-79"	"D"	26 3/4"	\$93.00
INT1M-0138L/R		53"-60"	80"-83"	80"-83"	"E"	30 3/4"	\$105.00
INT1M-0139L/R		61"-72"			"F"	36 3/4"	\$105.00

"MOM" Vertical Releases (Cut Down to 2 1/8")



Part No.	S/S	2/SP	C/P	2SP/CP	Link	Size	List Price
INT1M-0140L/R	20"-29"		30"-39"	33"-39"	"A"	14 3/4"	\$93.00
INT1M-0092L/R	30"-39"	30"-39"	40"-49"	40"-49"	"B"	18 3/4"	\$93.00
INT1M-0141L/R	40"-44"	40"-44"	50"-59"	50"-59"	"C"	22 3/4"	\$93.00
INT1M-0142L/R	45"-48"	45"-52"	60"-79"	60"-79"	"D"	26 3/4"	\$93.00
INT1M-0143L/R		53"-60"	80"-83"	80"-83"	"E"	30 3/4"	\$105.00
INT1M-0144L/R		61"-72"			"F"	36 3/4"	\$105.00

"MO" Single Roller Releases (Used For: MO Interlock)



Part No.	S/S	2/SP	C/P	2SP/CP	Link	Size	List Price
INT1H-0145L/R	20"-29"		33"-39"	33"-39"	"A"	14 3/4"	\$62.00
INT1H-0104L/R	30"-39"	30"-39"	40"-49"	40"-49"	"B"	18 3/4"	\$62.00
INT1H-0146L/R	40"-44"	40"-44"	50"-59"	50"-59"	"C"	22 3/4"	\$62.00
INT1H-0147L/R	45"-48"	45"-52"	60"-79"	60"-79"	"D"	26 3/4"	\$62.00
INT1H-0148L/R		53"-60"	80"-83"	80"-83"	"E"	30 3/4"	\$74.00
INT1H-0149L/R		61"-72"			"F"	36 3/4"	\$74.00

Interlock Parts

DOOR EQUIPMENT

Interlock Parts

Release Roller Assemblies (MO)

Vandal Resistant

Horizontal Releases (Used For: MOCPHA & MOHA Interlock)



Note: Links should not protrude below shield. Cut off in field.

Part No.	S/S	2/SP	C/P	Link	Size	List Price
INT1H-0150L/R	24"-29"		30"-39"	"A"	14 3/4"	\$51.00
INT1H-0151L/R	30"-39"	30"-39"	40"-49"	"B"	18 3/4"	\$51.00
INT1H-0152L/R	40"-42"	40"-44"	50"-59"	"C"	22 3/4"	\$51.00
INT1H-0153L/R		45"-52"		"D"	26 3/4"	\$51.00
INT1H-0154L/R		53"-60"		"E"	30 3/4"	\$64.00
INT1H-0185L/R		61"-68"		"E"	30 3/4"	\$64.00
INT1H-0155L/R		69"-72"		"F"	36 3/4"	\$64.00

Water/Explosion Resistant

Horizontal Releases (Used For: MOXH & MOWH Interlock)



Features: Stainless steel shafts and yellow zinc dichromate plated ferrous parts

Part No.	S/S	2/SP	C/P	2SP/CP	Link	Size	List Price
INT3-0025L/R	22"-29"		33"-39"	33"-39"	"A"	14 3/4"	\$70.00
INT3-0019L/R	30"-39"	24"-39"	40"-49"	40"-49"	"B"	18 3/4"	\$70.00
INT3-0027L/R	40"-44"	40"-44"	50"-59"	50"-59"	"C"	22 3/4"	\$70.00
INT3-0028L/R	45"-48"	45"-52"	60"-72"	60"-72"	"D"	26 3/4"	\$70.00
INT3-0029L/R		53"-60"			"E"	30 3/4"	\$82.00
INT3-0030L/R		61"-72"			"F"	36 3/4"	\$82.00

Lower Links (MO Interlock)

Conventional

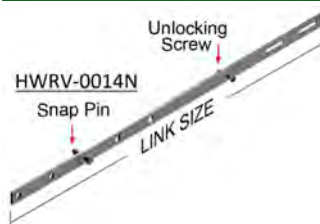


INT1H-0025N THRU INT1H-0030N are used for: All MOM, MO, MOCPH, MOH (HWRV-0014N snap pin must be purchased separately.)

Part No.	S/S	2/SP	3/SP	C/P	2SP/CP	Link	Size	List Price
INT1H-0025N	20"-29"			33"-39"	33"-39"	"A"	14 3/4"	\$15.40
INT1H-0026N	30"-39"	30"-39"		40"-49"	40"-49"	"B"	18 3/4"	\$15.40
INT1H-0027N	40"-44"	40"-44"		50"-59"	50"-59"	"C"	22 3/4"	\$21.60
INT1H-0028N	45"-48"	45"-52"	30"-54"	60"-79"	60"-79"	"D"	26 3/4"	\$21.60
INT1H-0029N		53"-60"	55"-64"	80"-83"	80"-83"	"E"	30 3/4"	\$27.80
INT1H-0030N		61"-72"	65"-69"			"F"	36 3/4"	\$27.80

Lower Links (MOHA Interlock)

Vandal Resistant



Note: Interlocks using "HA" shield must have lower link cut off on job, so as not to extend below bottom of shield. All links come with unlocking screw. (HWRV-0014N snap pin must be purchased separately.)

Part No.	S/S	2/SP	C/P	Link	Size	List Price
INT1H-0112N	20"-29"		30"-39"	"A"	14 3/4"	\$20.20
INT1H-0113N	30"-39"	30"-39"	40"-49"	"B"	18 3/4"	\$26.20
INT1H-0114N	40"-42"	40"-44"	50"-59"	"C"	22 3/4"	\$26.20
INT1H-0115N		45"-52"		"D"	26 3/4"	\$33.00
INT1H-0116N		53"-68"		"E"	30 3/4"	\$33.00
INT1H-0118N		69"-72"		"F"	36 3/4"	\$33.00

Interlock Parts

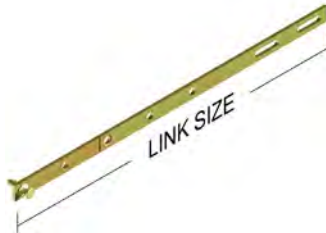
DOOR EQUIPMENT

Interlock Parts

Lower Links (MOW & MOX Interlock)

Water/Explosion Resistant

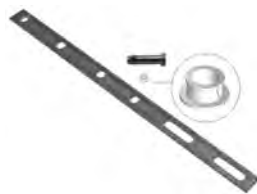
Note: All ferrous material are yellow zinc dichromate plated



Part No.	S/S	2/SP	C/P	2SP/CP	Link	Size	List Price
INT3-0012N	22"-29"		33"-39"	33"-39"	"A"	14 3/4"	\$31.00
INT3-0013N	30"-39"	24"-39"	40"-49"	40"-49"	"B"	18 3/4"	\$31.00
INT3-0014N	40"-44"	40"-44"	50"-59"	50"-59"	"C"	22 3/4"	\$44.00
INT3-0015N	45"-48"	45"-52"	60"-72"	60"-72"	"D"	26 3/4"	\$44.00
INT3-0016N		53"-60"			"E"	30 3/4"	\$56.00
INT3-0017N		61"-72"			"F"	36 3/4"	\$56.00

Lower Links (Special)

INT1H-0176N



Description
 Link, MO Interlock Special Lower A, Fig. 1
 (For Glass Door)
 Where Used: MOH (INT1H-0174L/R), MOCPH
 List Price: \$31.00

INT1H-0177N



Description
 Link, MO Interlock Special Lower A, Fig. 2
 (For Glass Door)
 Where Used: MOH (INT1H-0175L/R), MOCPH
 List Price: \$31.00

Upper Links (MO Interlock)

INT1H-0018N



Link, MO & MOHA Interlock Assembly Upper,
 Link Size: 10 1/2" x 1/2" x 1/8"
 Where Used: All MOM, MO, MOCPH, MOH
 List Price: \$9.40

INT1H-0178N



Link, MO Interlock Special Upper (For Glass Door)
 Where Used: MOH, MOCPH
 List Price: \$24.80

INT3-0018N



Link, MOW/MOX Interlock Assembly Upper, Yellow Zinc Dichromate
 Where Used: MOWH, MOXH
 List Price: \$18.60

Custom Links (MO, MO10, HD)

INT9-0005N



Link, HD Interlock Upper
 Where Used: HD
 List Price: \$9.40

INT9-0006N



Link, HD Interlock Lower
 Where Used: HD
 List Price: \$15.40

INT23-0013N



Link, Type "MO10" Interlock, Link Size: 17 5/8"
 Where Used: MO10
 List Price: \$31.00

INT1H-0198N



Tubing Link, MO Interlock Assembly Lower
 Where Used: MOCPH, MOH, MOM
 List Price: \$56.00

Interlock Parts

DOOR EQUIPMENT

Interlock Parts

Shield With Emergency Unlocking Devices (MOHA, MOCPHA)

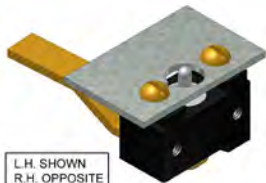
Vandal Resistant



Note: MOCPHA Interlock: Only **LEFT** handed shield is needed. A **FIXED KEEPER** is used on the right side.

Part No.	Shield Length	S/S	2/SP	C/P	List Price
INT1H-0119L/R	14 1/8"	24"-29"		30"-39"	\$130.00
INT1H-0120L/R	18 1/8"	30"-39"	30"-39"	40"-49"	\$130.00
INT1H-0121L/R	22 1/8"	40"-42"	40"-44"	50"-59"	\$130.00
INT1H-0122L/R	26 1/8"		45"-52"		\$130.00
INT1H-0123L/R	30 1/8"		53"-60"		\$130.00
INT1H-0124L/R	34 1/8"		61"-68"		\$130.00
INT1H-0125L/R	38 1/8"		69"-72"		\$130.00

INT1H-0128L/R



Description
Emergency Unlocking Device
Where Used: MOCPHA, MOHA
List Price: \$65.00

Roller Release & Keeper Assemblies With Door Mounting Plate

INT23-0006L/R



Release & Keeper Assembly, Type "MO10"
List Price: \$185.00

INT23-0007L/R



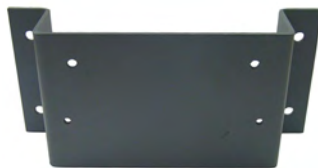
Release & Keeper Assembly, Type "MOH10"
List Price: \$185.00

INT23-0008L/R



Release & Keeper Assembly, Type "MOHRD10"
For Round Elevators
List Price: \$185.00

Roller Release Spacers (MO)



Part No.	MO Roller Release	List Price
INT1H-0197N	3/4"	\$47.00
INT1H-0094N	1 1/4"	\$47.00
INT1H-0095N	1 3/4"	\$47.00
INT1H-0096N	2 1/4"	\$47.00

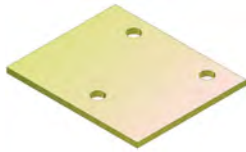
Part No.	MO Roller Release	List Price
INT1H-0097N	2 3/4"	\$47.00
INT1H-0193N	3 1/4"	\$47.00
INT1H-0194N	3 3/4"	\$47.00
INT1H-0202N	4 1/4"	\$47.00

DOOR EQUIPMENT

Interlock Parts

Keeper Spacer (MO, MOW, MOX)

INT3-0020N



Description
Spacer, MOW/MOX Interlock Keeper, Yellow Zinc Dichromate
Where Used: MOWH, MOXH
List Price: \$12.40

Rollers (MO)

Conventional/Water/Explosion Resistant

INT1H-0023N



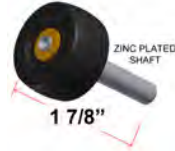
Roller & Shaft, MO Interlock
List Price: \$8.40

INT1H-0093N



Roller & Shaft, MO Cut Down
List Price: \$16.00

INT23-0012N



Roller & Shaft, MO10 Interlock, Movable Roller
List Price: \$16.00

INT3-0023N

DISCONTINUED



Roller & Shaft, MOW/MOX Interlock, Yellow Zinc Dichromate

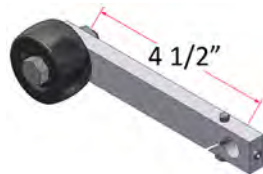
Roller Arms (M/N)

INT5-0024N



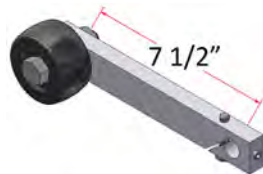
Arm & Roller, 3" CL
List Price: \$24.80

INT5-0025N



Arm & Roller, 4 1/2" CL
List Price: \$24.80

INT5-0026N



Arm & Roller, 7 1/2" CL
List Price: \$24.80

INT5-0027N



Roller & Bolt, M/N Roller Arm
List Price: \$7.40

Shaft Supports

Conventional

INT7-0011N



Support, DM/SDM Interlock Shaft, Includes Nylon Bushing
Where Used: DM-MH, DM, SDM
List Price: \$7.80

INT22-0066N



Support, N Interlock Shaft With Bushing For Wide Jamb (Drawing # 8432)
Where Used: N
List Price: \$7.80

INT25-0011N



Shaft Support, Bearing Block For Transfer Linkage & Lock and "N", "SN" Interlocks
Where Used: Transfer Linkage and Manual "N" & "SN" Locks
List Price: \$12.40

Interlock Parts

DOOR EQUIPMENT

Interlock Parts

Switch Assemblies

Conventional

<p>INT1H-0013L/R</p> <p>MO <small>L.H. SHOWN R.H. OPPOSITE</small></p> 	<p>INT1H-0190L/R</p> <p>MO LUCITE <small>L.H. SHOWN R.H. OPPOSITE</small></p> 	<p>INT2H-0046N</p> <p>MOCPH LUCITE</p> 	<p>INT2H-0007N</p> <p>MOCPH</p> 
<p>Switch Assembly, MO Interlock Where Used: MO, MOH, MOH10, MOHRD10, MOM List Price: \$54.00</p>	<p>Switch Assembly, MO Interlock, With Clear Lucite Cover Where Used: MOH List Price: \$54.00</p>	<p>Switch Assembly, MOCPH Interlock, With Clear Lucite Cover Where Used: MOCPH List Price: \$121.00</p>	<p>Switch Assembly, MOCPH Interlock Where Used: MOCPH, MOCPH, MOCPH10 List Price: \$121.00</p>
<p>INT2H-0022N</p> <p>MOCPHA</p> 	<p>INT7-0002N</p> <p>DM</p> 	<p>INT7-0014N</p> <p>DM-MH</p> 	<p>INT13-0002L/R</p> <p>VR <small>L.H. SHOWN R.H. OPPOSITE</small></p> 
<p>Switch Assembly, MOCPHA Interlock Where Used: MOCPHA List Price: \$121.00</p>	<p>Switch Assembly, DM Interlock Where Used: DM List Price: \$601.00</p>	<p>Switch Assembly, DM-MH Interlock Where Used: DM-MH List Price: \$663.00</p>	<p>Switch Assembly, VR Interlock Where Used: VR List Price: \$93.00</p>
<p>INT14-0002N</p> <p>K5</p> 	<p>INT16-0003N</p> <p>K1</p> 	<p>INT16-0004N</p> <p>K</p> 	<p>INT19-0006N</p> <p>MOCPH</p> 
<p>Switch Assembly, K5 Interlock Where Used: K5 List Price: \$167.00</p>	<p>Switch Assembly, K1 Interlock Where Used: K1 List Price: \$84.00</p>	<p>Switch Assembly, K Interlock Where Used: K List Price: \$84.00</p>	<p>Retrofit Kit, MOCPSH Interlock (Used To Convert An "MOCPSH" Interlock To A "MOCPH" Interlock) Where Used: MOCPH List Price: \$93.00</p>

Interlock Parts

DOOR EQUIPMENT

Interlock Parts

Switch Assemblies

Conventional

INT2H-0010N

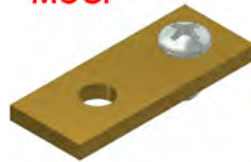
MOCP



Arm, MOCP Rocker Assembly
Where Used: MOCP, MOCPH,
MOCPH10, MOCPHA
List Price: \$24.80

INT2H-0011N

MOCP



Plate, MOCP Rocker Arm, With
Screw
Where Used: MOCPH
List Price: \$3.20

INT2H-0024N

MOCP

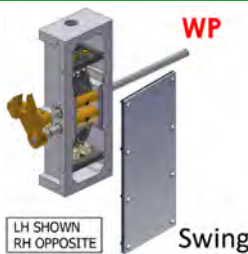


Cam, MOCP Rocker Arm Lift Up
Where Used: MOCP, MOCPH
List Price: \$9.40

Vandal/Water/Dust/Explosion Resistant

INT18-0005L/R

WP



L.H. SHOWN
R.H. OPPOSITE

Swing

Switch Assembly, WP Moisture
Swing (NEMA 4 Rated And CSA
Certified)
List Price: \$564.00

INT18-0006L/R

WP



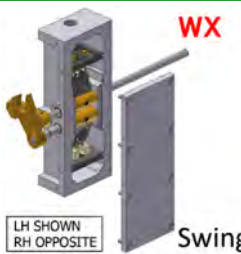
L.H. SHOWN
R.H. OPPOSITE

Slide

Switch Assembly, WP Moisture
Slide (NEMA 4 Rated And CSA
Certified)
List Price: \$564.00

INT18-0007L/R

WX



L.H. SHOWN
R.H. OPPOSITE

Swing

Switch Assembly, WX Explosion
Swing, (NEMA 7 & 9 Rated, Class
1 - Group D, and Class 2 - Groups
E, F and G, UL Listed, And CSA
Certified)
List Price: \$657.00

INT18-0008L/R

WX



L.H. SHOWN
R.H. OPPOSITE

Slide

Switch Assembly, WX Explosion
Slide, (NEMA 7 & 9 Rated, Class
1 - Group D, and Class 2 - Groups
E, F and G, UL Listed, And CSA
Certified)
List Price: \$657.00

INT1H-0126L/R

MOHA

L.H. SHOWN
R.H. OPPOSITE



Switch Assembly, MOHA Interlock
With Spanner Head Screws
Where Used: MOHA
List Price: \$54.00

INT3W-0007L/R

MOW

L.H. SHOWN
R.H. OPPOSITE



Switch Assembly, MOW Interlock,
Yellow Zinc Dichromate (UL Listed,
Not NEMA Rated Nor CSA Cer-
tified)
Where Used: MOWH
List Price: \$355.00

INT3X-0007L/R

MOX

L.H. SHOWN
R.H. OPPOSITE



Switch Assembly, MOX Interlock,
Yellow Zinc Dichromate (NEMA 7
Rated, Class 1 - Group D), And UL
Listed, But Not CSA Certified
Where Used: MOXH
List Price: \$355.00

INT3-0024L/R

MOW/MOX



L.H. SHOWN
R.H. OPPOSITE

Arm, MOW-MOX Interlock Rocker
Where Used: MOWH, MOXH
List Price: \$71.00

Interlock
Parts

DOOR EQUIPMENT

Interlock Parts

"N" & "NHA" Switch Assemblies (Swing)

<p>INT22-0010L/R</p> <p>Switch Assembly, "N" Interlock Swing Door List Price: \$145.00</p>	<p>INT22-0011L/R</p> <p>Switch Assembly, "N" Interlock Swing Door List Price: \$145.00</p>	<p>INT22-0014L/R</p> <p>Switch Assembly, "N" Interlock Swing Door, Replacement For OTIS "L" Lock List Price: \$145.00</p>	<p>INT22-0039L/R</p> <p>Switch Assembly, "N" Interlock Swing Door, Existing Westinghouse Lock List Price: \$161.00</p>
<p>INT22-0037L/R</p> <p>Switch Assembly, "NHA" Interlock Swing Door, Includes Stainless Steel Shaft List Price: \$161.00</p>	<p>INT22-0036L/R</p> <p>Switch Assembly, "NHA" Interlock Swing Door, Includes Stainless Steel Shaft List Price: \$161.00</p>	<p>INT22-0040L/R</p> <p>Switch Assembly, NHA Interlock Swing Door, Includes Stainless Steel Shaft, Replacement For OTIS "L" Lock List Price: \$161.00</p>	

Interlock Parts

"N" & "NHA" Switch Assemblies (Slide)

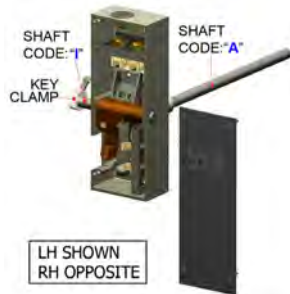
<p>INT22-0012L/R</p> <p>Switch Assembly, "N" Interlock Slide Door List Price: \$145.00</p>	<p>INT22-0038L/R</p> <p>Switch Assembly, "NHA" Interlock Slide Door, Includes Stainless Steel Shaft List Price: \$161.00</p>	<p>INT22-0045L/R</p> <p>Switch Assembly, "N" Interlock Slide Door, Figure 4 List Price: \$238.00</p>
---	---	---

DOOR EQUIPMENT

Interlock Parts

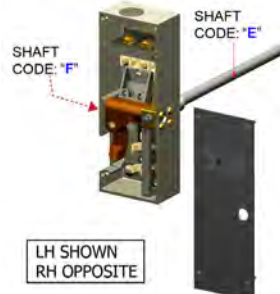
"N" & "NHA" Switch Assemblies (Slide)

INT22-0046L/R



Switch Assembly, "N" Interlock Slide Door, Right Hand Installation. Figure 4A
List Price: \$145.00

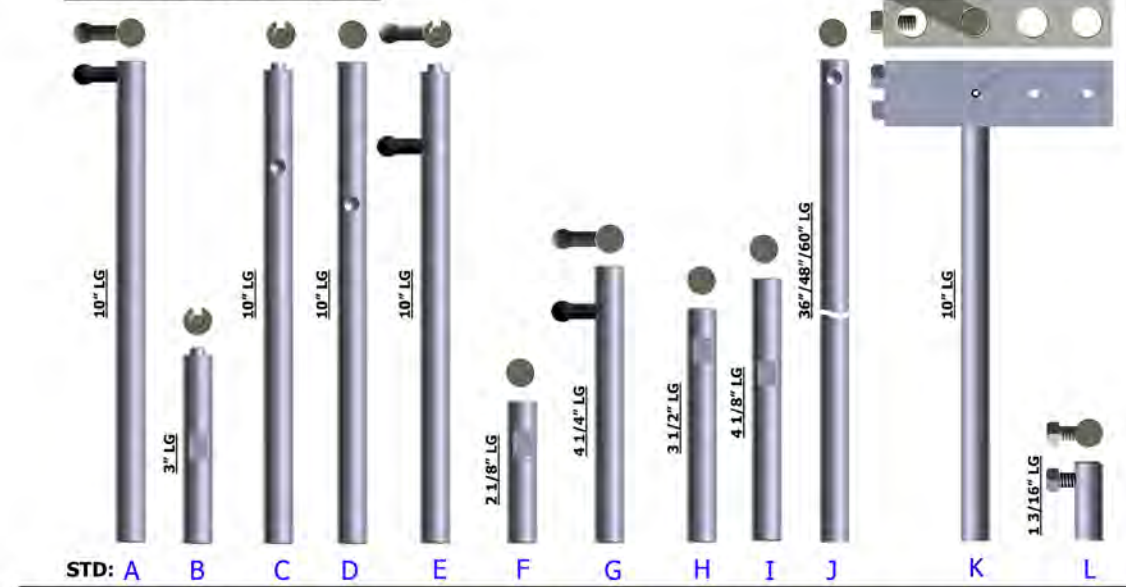
INT22-0047L/R



Switch Assembly, "N" Interlock Slide Door, Right Hand Installation. Figure 4B
List Price: \$238.00

Shafts and Shaft Codes

INTERLOCK SHAFT CODE



STD: A B C D E F G H I J K L
ST. STEEL: A-SS B-SS C-SS D-SS E-SS F-SS G-SS H-SS I-SS J-SS

Type "M" Aluminum Box
Use INT6-0014N Shaft
With Bushings.

See interlock assembly
section for appropriate
shafts.

EXTRA CHARGE
If an installation requires any
shaft shown above to be longer
than standard length, an extra
charge per foot will be added to
the base price of interlock.

List: \$10.00 per foot

Interlock
Parts

DOOR EQUIPMENT

Interlock Parts

Shafts and Shaft Codes

Conventional

Part No.	Shaft Code	Where Used:	Description	List Price
INT5-0022N	"A"	N, M	Shaft, "N/M" Interlock Ball Pin 10" Lg, Also Used On SN Lock & Contact (Bronze Box Only)	\$24.80
INT5-0020N	"B"	N, M	Shaft, "N/M" Interlock 3" Cam Swing Door	\$7.00
INT5-0021N	"C"	N, M	Shaft, "N/M" Interlock 10" Cam Swing Door, Also Used On SN Lock & Contact	\$7.00
INT5-0023N	"D"	N, M	Shaft, "N/M" Interlock Cam Slide Door 10" Lg, Also Used On SN Lock & Contact	\$4.80
INT22-0052N	"E"	N	Shaft, "N" Interlock Ball Pin 10" Lg	\$31.00
INT22-0055N	"F"	N, M	Shaft, "N/M" Interlock Cam Slide Door 2 1/8" Lg (5/8" To Center Flat)	\$18.60
INT22-0051N	"G"	N, M	Shaft, "N/M" Interlock Ball Pin 4 1/4" Lg	\$18.60
INT22-0053N	"H"	N, M	Shaft, "N/M" Interlock Cam Slide Door 3 1/2" Lg (5/8" To Center Flat)	\$18.60
INT22-0054N	"I"	N, M	Shaft, "N/M" Interlock Cam Slide Door 4 1/8" Lg (1 9/16" To Center Flat)	\$18.60
INT7-0008N	"J"	DM, SDM, DM-MH, SDM-MH	Shaft, DM Interlock 36" Lg	\$15.40
INT7-0018N	"J"	DM, SDM, DM-MH, SDM-MH	Shaft, DM Interlock 48" Lg	\$21.60
INT7-0019N	"J"	DM, SDM, DM-MH, SDM-MH	Shaft, DM Interlock 60" Lg	\$27.80
INT7-0009N	"K"	DM, SDM, DM-MH, SDM-MH	Shaft/Coupling, DM Interlock	\$47.00
INT7-0010N	"L"	DM, SDM, DM-MH	Shaft, DM Interlock 1 3/16" Lg Assembly	\$3.20

Vandal Resistant

Part No.	Shaft Code	Where Used:	Description	List Price
INT5-0040N	"A-ss"	NHA, MHA	Shaft, MHA/NHA Interlock Ball Pin 10" Lg, Stainless Steel	\$15.40
INT5-0038N	"B-ss"	NHA, MHA	Shaft, MHA/NHA Interlock Cam Swing Door, Stainless Steel 3"	\$12.40
INT5-0039N	"C-ss"	NHA, MHA	Shaft, MHA/NHA Interlock Cam Swing Door, Stainless Steel 10"	\$12.40
INT5-0041N	"D-ss"	NHA, MHA	Shaft, MHA/NHA Interlock Cam Slide Door 10" Lg, Stainless Steel	\$9.40

Hardware

Bumpers

INT16-0012N



Bumper, K/K1/K5 Interlock 7/8" O.D., Upper Rubber Interlock Bars 7/8" O.D. x 3/8" ID x 1/4" Lg
Where Used: K, K5, K1
List Price: \$1.60

INT16-0013N



Bumper, K/K1/K5 Interlock 1 1/8" O.D., Lower Rubber Interlock Bars 1 1/8" O.D. x 9/16" ID x 1/4" Lg
Where Used: K, K5, K1
List Price: \$1.60

INT1H-0019N



Bumper, Stem MO Interlock, 7/16" O.D. x 1/8" ID x 3/8" Lg.
Where Used: All MOM, MO, MO10, MOCPh, MOCPh10, MOH, MOH10, MOHRD10
List Price: \$1.00

INT1H-0020N



Bumper, Keeper MO Interlock, 3/4" O.D. x 3/8" ID x 7/16" Lg.
Where Used: All MOM, MO, MO10, MOCPh, MOCPh10, MOH, MOH10, MOHRD10
List Price: \$1.00

Interlock Parts

DOOR EQUIPMENT

Interlock Parts

Hardware

Bushings

HWBS-0001N



Bushing, Nyliner 1/4 ID Type 7, 4L2-FF SNAP-In Type 7
 Where Used: All MOM, MOH, MO, MO10, MOCP, MOCPH, MOCPH10, MOH10, MOHRD10
 List Price: \$3.60

HWBS-0010N



Bushing, Nyliner 3/8 ID Type 7-Short, 6L2-FF SNAP-In Type 7
 Where Used: VR
 List Price: \$3.60

HWBS-0023N



Bushing, Nyliner 3/8 ID Type 4, 6L8-D Sleeve Type 4
 Where Used: VR
 List Price: \$1.60

Mounting Hardware

INT1H-0032N



Hardware, MO Interlock Mounting
 List Price: \$7.80

INT1H-0069N



Hardware, MO Bottom Mounted, 2 1/4" Roller Type "O.S." Hanger
 List Price: \$15.40

INT2H-0016N



Hardware, MOCPH Interlock Mounting
 List Price: \$7.80

INT3-0022N



Hardware, MOW/MOX Interlock, Yellow Zinc Dichromate
 List Price: \$15.40

INT23-0014N



Hardware, MOH10 Interlock Mounting
 List Price: \$4.80

INT23-0015N



Hardware, MOHRD10 Interlock Mounting
 List Price: \$5.40

INT22-0024N



Hardware, N/NHA Interlock Mounting
 List Price: \$1.60

Screws

HWSC-0011N



Screw, 1/4-20 x 1 1/4" Hex HD Steel Plated, Cap 3/4" THD Steel Plated
 Where Used: MOH, MOCPH
 List Price: \$1.40

HWSC-0111N



Screw, 6-32 x 1/4" Flat HD Steel Plated, Slotted Machine Screw
 Where Used: MOH, MOCPH
 List Price: \$0.60

HWSC-0129N



Screw, 6-32 x 5/16" Rend Head Slot Brass, Slotted Machine Screw
 Where Used: VR, K, K1
 List Price: \$0.60

HWSC-0167N



Screw, 1/4-20 x 1/2" Square Head
 Where Used: DM
 List Price: \$1.00

Interlock Parts

DOOR EQUIPMENT

Interlock Parts

Hardware

Screws

HWSC-0274N



Screw, 6-32 x 5/16" Phillips Pan Head, Thread Steel Plated Screw Type TT
Where Used: MOH, MOCPH
List Price: \$0.30

HWSC-0276N



Screw, 6-32 x 1/2" Phillip Flat HD Rolling, Thread Steel Plated Screw
Where Used: MOCPH
List Price: \$0.60

HWSC-0278N



Screw, 10-32 x 1/2" Flat Head Steel Plated
Where Used: VR
List Price: \$1.00

HWSC-0286N



Screw, 6-32 x 1/4" Phillips Flat HD Rolling, Undercut Steel Zinc Plated
Where Used: MOH, MOCPH
List Price: \$0.30

HWSC-0345N



Screw, 5/16-18 x 1/2" Hex Tap-Sems, Yellow Zinc Dichromate
Where Used: VR Interlocks
List Price: \$1.00

HWSC-0215N



Screw, 6-32 x 1/2" Flat Spanner HD Brass-Gal, Modified For "HA" Cover
Where Used: MOHA, MOCPHA
List Price: \$1.50

Pin

HWRV-0014N



Pin, MO Interlock Snap, 1/4" x 7/8" Lg.
Where Used: MOXH, MOCPH, MOH, MOWH
List Price: \$3.20

Guide

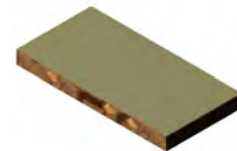
INT23-0011N



Guide, MO10 Interlock Link
Where Used: MOHRD10, MOCPH10, MOH10
List Price: \$31.00

Spacer

HDW-0347N



Corprene, Adhesive Tape, Spacer Cork (1/16" x 3/4" x 3/8") For Roller Release
Where Used: MOCPH, MOCPHA, MOH, MOHA
List Price: \$1.00

Retainer

INT22-0018N



Retainer, N/NHA Interlock Pin Spring
Where Used: N, NHA
List Price: \$1.60

Washer

HWWS-0090N



Washer, 3/16" ID-3/8" Bend Spring # 237-1
Where Used: MOCPH
List Price: \$0.60

Spring and Pin

INT16-0011N



Spring, K/K1/K5 Interlock Bar, 6 7/8" Lg x 1/2" O.D. With Pin
List Price: \$6.20

Interlock Parts

DOOR EQUIPMENT

Interlock Parts

Hardware

Springs

SPG-0023N



Spring, 1 5/8" Lg x 3/8" O.D.-0.035 Wire
Where Used: W, WP, WX
List Price: \$3.20

SPG-0035N



Spring, 1 1/2" Lg x 13/32" O.D.-0.060 Wire
Where Used: W, WP, WX
List Price: \$3.20

SPG-0030N



Spring, 1 7/8" Lg x 13/32" O.D.-0.050 Wire
Where Used: N, NHA, SN, SN-Z
List Price: \$3.20

SPG-0075N



Spring, 2" Lg x 15/32" O.D.-0.067 Wire- Cut
From SPG-0040N-SST
Where Used: VR
List Price: \$4.80

SPG-0042N



Spring, 7 1/2" Lg x 13/16" O.D.-0.080 Wire
Where Used: K5
List Price: \$6.20

Interlock
Parts

Locks, Contacts & Switches

DOOR EQUIPMENT

LOCKS w/ contacts

TYPE	FUNCTION
• SN	– For swing & sliding doors, with single contact
• SDM	– For double swing doors, with single contact
• SDM-MH	– For double swing doors, with single contact for each door, and mechanical holding devices
• MB	– For mechanical lock only, no contacts

These locks are not approved for passenger elevator use, and do not meet the national elevator code requirement for elevator interlocks as defined by ASME code.

DOOR CONTACTS

- **SDC** – Single door contact for top or side emergency exit use
- **SN-C** – For blind swing shaft way doors
- **AG** – For top or side emergency exit use
- **AG-HW** – For top exit with special Hollister Keeper

GATE SWITCHES

- **G** – For standard sliding doors
- **VG** – For vertical rising doors
- **VG-1** – For vertical rising doors-spring loaded
- **GW** – Water Resistant Gate Switch for standard sliding doors
- **GX** – Explosion Resistant Gate Switch for standard sliding doors

LOCK & DOOR CONTACT ASSEMBLIES
PAGE 404-407

GATE SWITCH ASSEMBLIES
PAGE 407-409

LIMIT SWITCH ASSEMBLIES
PAGE 410-411

MAGNETIC LIMIT SWITCH ASSEMBLY KIT
PAGE 411

SLACK & BROKEN CABLE SWITCH ASSEMBLIES
PAGE 412

LOCK, CONTACT & SWITCH PARTS

- Cams
- Shafts
- Contacts & Contact Kits
- Covers
- Keepers
- Mounting Plates
- Rollers & Arms
- Springs
- Hardware

PAGE 413-419

(Continued)

"G" Gate Switch



"SDC" Door Contact



"LS" Limit Switch



"SN" Lock



LIMIT SWITCHES

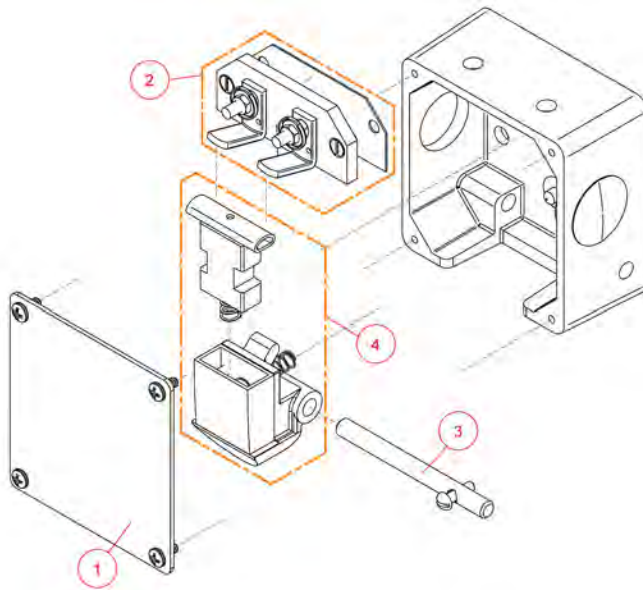
TYPE	FUNCTION
• LS	– N.C. contacts, back mounted
• LSO	– N.O. contacts, back mounted
• LD	– (2) N.C. contacts, back mounted
• LD-HA	– (2) N.C. contacts, back mounted, with gasket
• LS-HA	– N.C. contacts, back mounted, with gasket
• LSO-HA	– N.O. contacts, back mounted, with gasket
• LTD-HA	– (2) N.C. contacts, side mounted, with gasket
• LTS	– N.C. contacts, side mounted
• LTS-HA	– N.C. contacts, sided mounted, with gasket

DOOR EQUIPMENT

Door Contact Isometric Drawing

SDC Single Door Contact

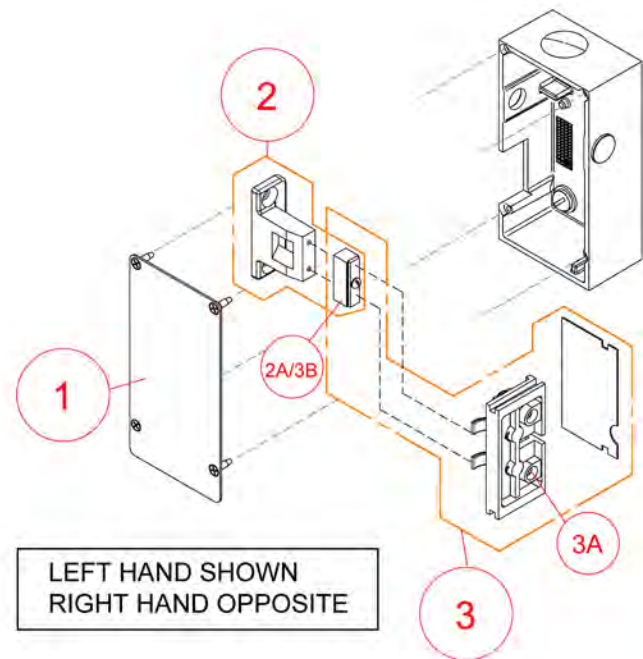
Type "SDC"



Part No.	Item No	Description
SW10-0002N	1	Cover, SDC Single Door (Page# 415)
SW10-0003N	2	Contact Base, SDC (Page# 413)
SW10-0006N	3	Shaft, SDC Door Contact (Page# 406)
SW10-0004N	4	Cam Assembly, SDC Bridging Contact (Page# 413)

SN-C Door Contact

Type "SN-C"



Part No.	Item No	Description
SW21-9001N	1	Cover, SN/SN-Z/SN-C Lock And Contact (Page# 415)
INT4-0001N	2	Keeper, M/N Interlock Swing Door (Page# 380-Interlock Section)
INT5-0019N	2A/3B	Bridging Contact, M/N Keeper (Page# 413 or 376-Interlock Section)
INT22-0020N	3	Contact Kit, "N" Interlock Lower (Page# 375-Interlock Section)
INT22-0022N	3A	Contact Base, "N/NHA" Interlock Lower (Page# 376-Interlock Section)

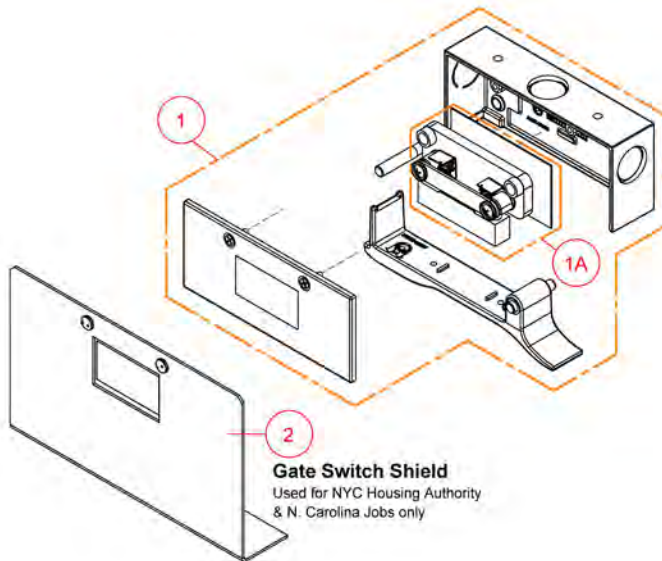
Door Contacts & Switches

DOOR EQUIPMENT

Switch Isometric Drawing

Gate Switch

Type "G"

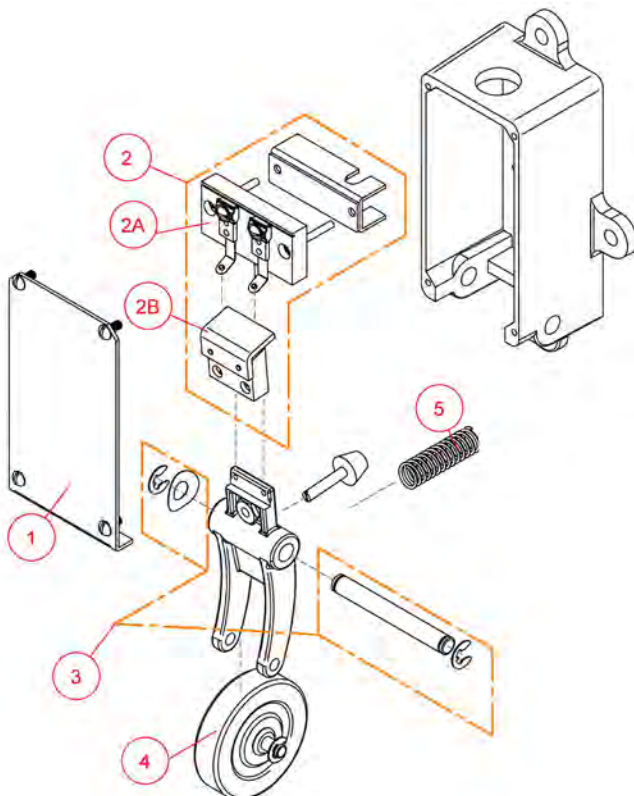


Part No.	Item No	Description
SW1-0001N	1	Switch Assembly, Gate (Page# 407)
SW1-0003N	1A	Contact Kit, G-Kit Gate Switch (Page# 414)
SW1-0041N	2	Shield Kit, Tamper Resistant Gate Switch (Page# 415)

Door Contacts & Switches

Limit Switch

Type "LSO"



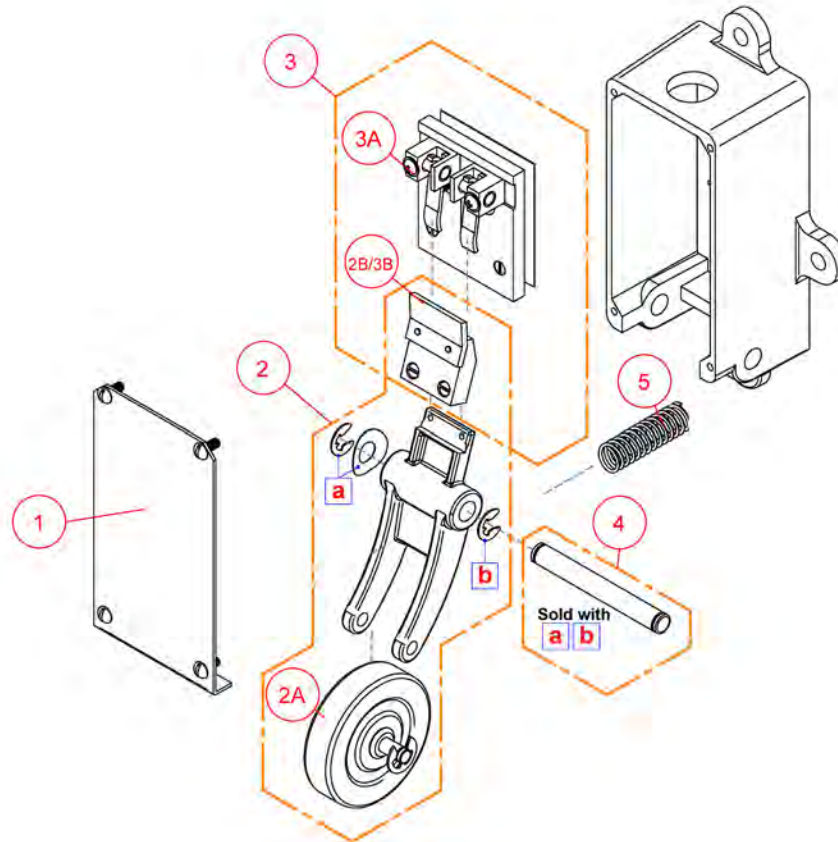
Part No.	Item No	Description
SW5-0018N	1	Cover, LSO Limit Switch Assembly, Water Resistant With Gasket (Page# 416)
SW5-0025N	2	Contact Kit, LSO-HA Limit Switch (Page# 414)
SW5-0024N	2A	Contact Base, LSO Limit Switch With Screws (X2) (Page# 414)
SW5-0023N	2B	Contact, LSO-HA Bridging With Screws (X2) (Page# 414)
SW5-0013N	3	Shaft, LS Switch Arm Pivot (Page# 406)
SW4-0009N	4	Roller & Shaft, Limit Switch (Page# 417)
SPG-0033N	5	Spring, 1 3/4" Lg X 17/32" OD (Page# 418)

DOOR EQUIPMENT

Switch Isometric Drawing

Limit Switch

Type "LS"



Door Contacts & Switches

Part No.	Item No	Description
SW5-0004N	1	Cover, LS/LD Limit Switch (Page# 416)
SW5-0005N	2	Arm, LS Limit Switch (Page# 418)
SW4-0009N	2A	Roller & Shaft, Limit Switch (Page# 417)
SW5-0011N	2B/3B	Contact, LS Bridging Assembly (Page# 415)

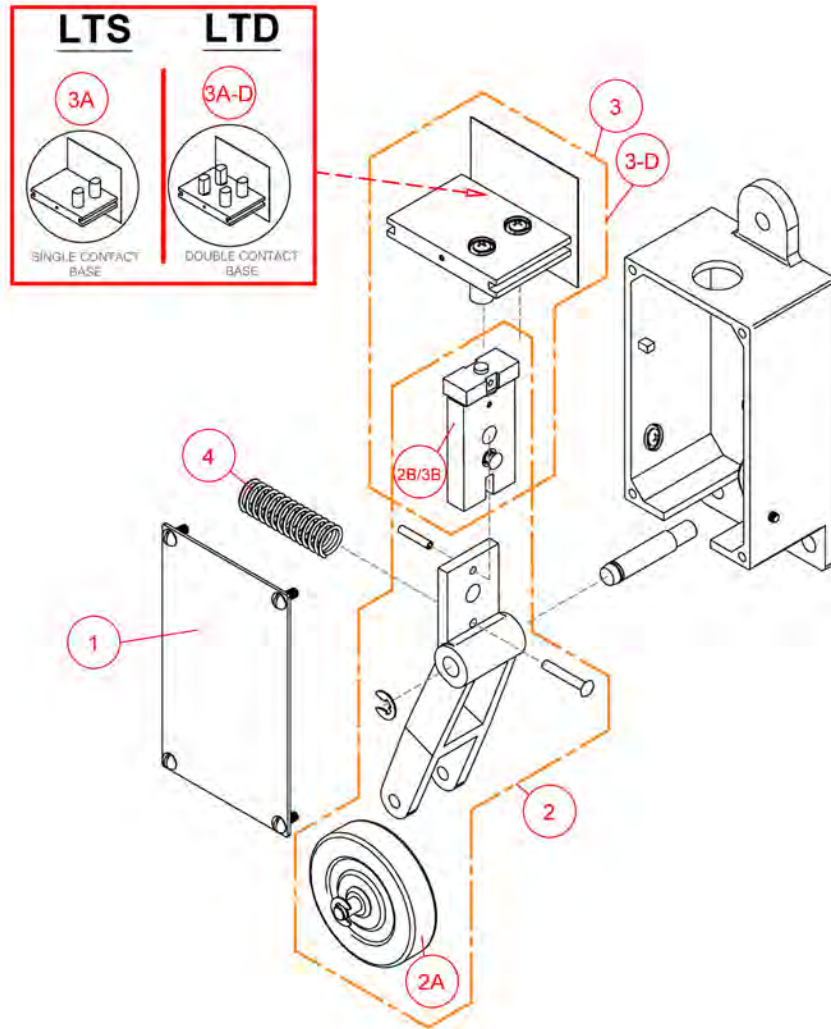
Part No.	Item No	Description
SW5-0016N	3	Contact Kit, LS Switch (Page# 414)
SW5-0012N	3A	Contact Base, LS Limit Switch With Insulator (Page# 414)
SW5-0013N	4	Shaft, LS Switch Arm Pivot (Page# 406)
SPG-0033N	5	Spring, 1 3/4" Lg X 17/32" OD (Page# 418)

DOOR EQUIPMENT

Switch Isometric Drawing

Limit Switch

Type "LTS" & "LTD"



Door Contacts & Switches

Part No.	Item No	Description
SW4-0003N	1	Cover, LTS/LTD Limit Switch Assembly (Page# 416)
SW4-0004N	2	Arm, LTS/LTD Limit Switch (Page# 417)
SW4-0009N	2A	Roller & Shaft, Limit Switch (Page# 417)
SW4-0007N	2B/3B	Contact, LTS/LTD Bridging (Page# 414)
SW4-0013N	3	Contact Kit, LTS Switch (Page# 414)

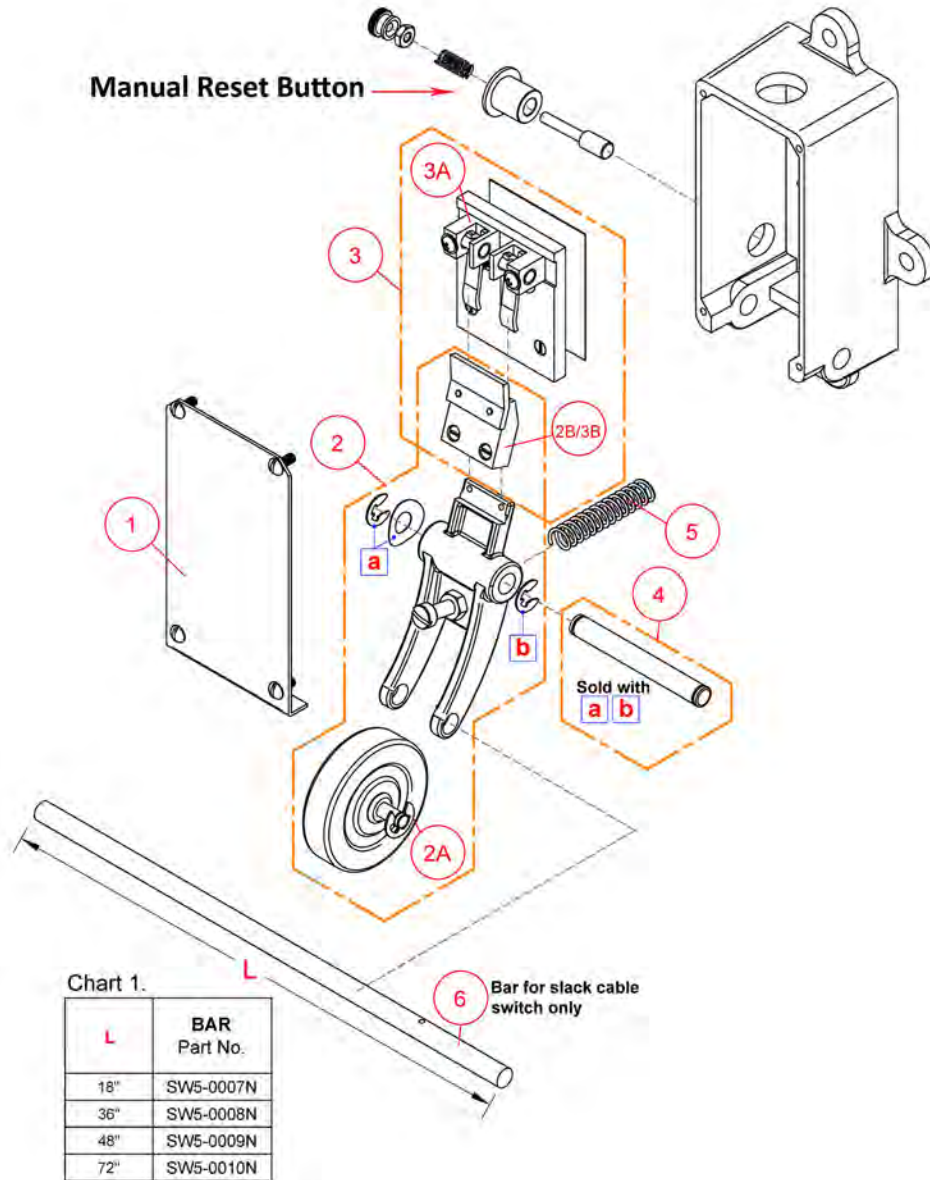
Part No.	Item No	Description
SW4-0014N	3-D	Contact Kit LTD Switch (Page# 414)
SW4-0005N	3A	Contact Base Assembly, LTS Limit Single (Page# 414)
SW4-0006N	3A-D	Contact Base, LTD Limit Double (Page# 414)
SPG-0033N	4	Spring, 1 3/4" Lg X 17/32" OD (Page# 418)

DOOR EQUIPMENT

Switch Isometric Drawing

Manual Reset Limit Switch

“Slack Cable” & “Roller Arm” Types



Door Contacts & Switches

Part No.	Item No	Description
SW5-0004N	1	Cover, LS/LD Limit Switch (Page# 416)
SW5-0006N	2	Arm, Slack Cable Switch (Page# 418)
SW5-0015N	2A	Roller & Shaft, Slack Cable (Page# 418)
SW5-0011N	2B/3B	Contact, LS Bridging Assembly (Page# 418)
SW5-0016N	3	Contact Kit, LS Switch (Page# 414)

Part No.	Item No	Description
SW5-0012N	3A	Contact Base, LS Limit Switch With Insulator (Page# 414)
SW5-0013N	4	Shaft, LS Switch Arm Pivot (Page# 406)
SPG-0027N	5	Spring, 2 1/8" Lg X 7/16" OD (Page# 418)
SEE CHART 1	6	Bar, Slack Cable Switch (Page# 412)

DOOR EQUIPMENT

Lock & Contact Isometric Drawing

Double Swing Door

Type "SDM & SDM-MH"

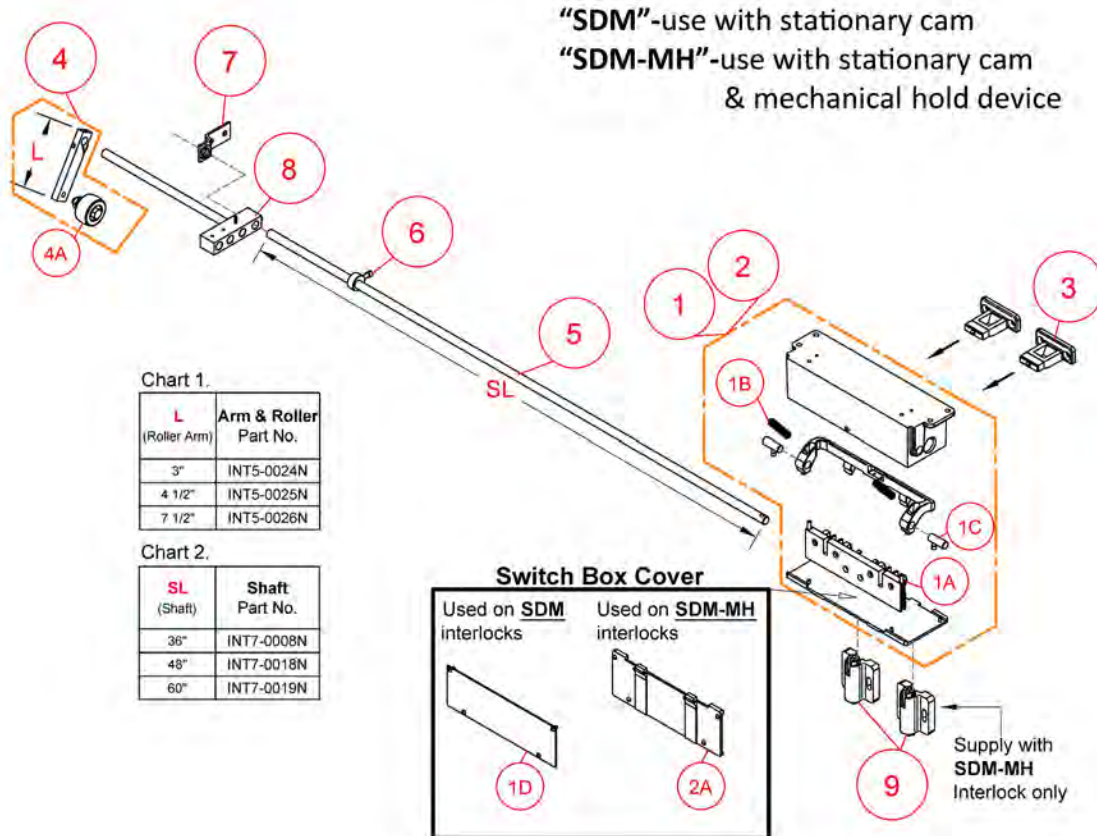


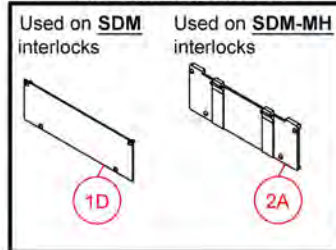
Chart 1.

L (Roller Arm)	Arm & Roller Part No.
3"	INT5-0024N
4 1/2"	INT5-0025N
7 1/2"	INT5-0026N

Chart 2.

SL (Shaft)	Shaft Part No.
36"	INT7-0008N
48"	INT7-0018N
60"	INT7-0019N

Switch Box Cover



Door Contacts & Switches

Part No.	Item No	Description
INT8-0002N	1	Switch Assembly, SDM Lock/Contact (Page# 405)
INT8-0004N	1A	Contact Base, SDM Lock (Page# 413)
SPG-0026N	1B	Spring, 1 7/8" Lg X 3/8" OD-0.043 Wire. (Call G.A.L.)
INT7-0010N	1C	Shaft, Dm Interlock 1 3/16" Lg Assembly (Page# 406)
INT8-0008N	1D	Cover, SDM Lock & Contact (Page# 415)
INT8-0006N	2	Switch Assembly, SDM-MH Lock-C (Page# 405)
INT8-0009N	2A	Cover, SDM-MH Lock & Contact (Page# 415)
INT7-0012N	3	Keeper, DM Interlock (Page# 381-Interlock Section)

Part No.	Item No	Description
SEE CHART 1	4	Arm & Roller (Page# 386-Interlock Section)
INT5-0027N	4A	Roller & Bolt, Roller Arm (Page# 386-Interlock Section)
SEE CHART 1	5	Shaft, DM Interlock (Page# 406)
INT5-0028N	6	Clamp, Lock Emergency Unlocking Assembly (Page# 368-Interlock Section)
INT7-0009N	8	Shaft/Coupling, DM Interlock (Page# 406)
INT7-0011N	7	Support, DM/SDM Interlock Shaft Includes Nylon Bushing (Page# 368-Interlock Section)
INT7-0016N	9	Latch, Mechanical Hold Snap (Page# 374-Interlock Section)

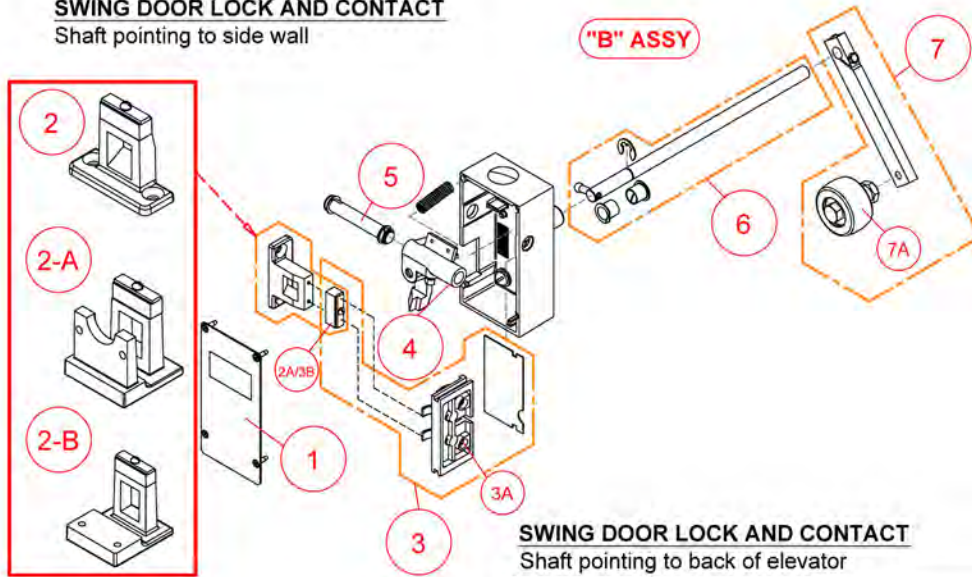
DOOR EQUIPMENT

Lock & Contact Isometric Drawing

Swing Door

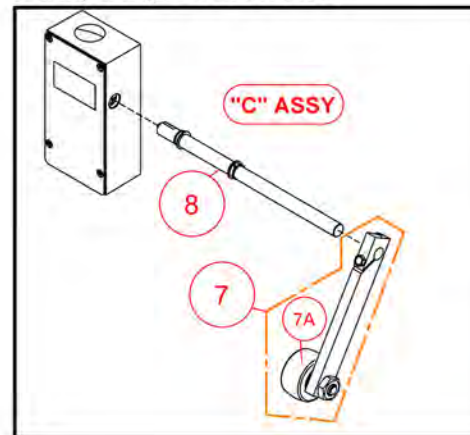
Type "SN"

SWING DOOR LOCK AND CONTACT
Shaft pointing to side wall



LEFT HAND SHOWN
RIGHT HAND OPPOSITE

SWING DOOR LOCK AND CONTACT
Shaft pointing to back of elevator



Door Contacts & Switches

Part No.	Item No	Description
SW21-XXXXX	"B" ASSY	Lock And Contact, SN Swing Door (Shaft Pointing To Side Wall) (Page# 404)
SW21-XXXXX	"C" ASSY	Lock And Contact, SN Swing Door (Shaft Pointing To Side Wall) (Page# 404)
SW21-9001N	1	Cover, SN/SN-Z/SN-C Lock And Contact (Page# 415)
INT4-0001N	2	Keeper, N/NHA Interlock (Surface Mounted) (Page# 380-Interlock Section)
INT4-0002N	2-A	Keeper, N/NHA Interlock (Flush Mounted) (Page# 380-Interlock Section)
INT4-0003N	2-B	Keeper, N/NHA Interlock (Flush Mounted-Kalamein) (Page# 380-Interlock Section)
INT4-0001N	2A	Keeper, M/N Interlock Swing Door (Page# 380-Interlock Section)
INT5-0019N	2A/3B	Bridging Contact, M/N Keeper (Page# 413 or 376-Interlock Section)

Part No.	Item No	Description
INT6-0015N	5	Shaft, 3" Lg SM & SN Lock Cam (Page# 406)
INT6-0012L/R	4	Cam Locking, SM & SN Lock And Contact (Page# 413)
INT22-0022N	3A	Contact Base, "N/NHA" Interlock Lower (Page# 377-Interlock Section)
INT22-0020N	3	Contact Kit, "N" Interlock Lower (Page# 375-Interlock Section)
INT6-0014N	6	Shaft Assembly, SM/M Lock Ball Pin 10" Lg (Page# 406)
INT5-0025N	7	Arm & Roller, 4 1/2" C.L. (Page# 386-Interlock Section)
INT5-0027N	7A	Roller & Bolt, Roller Arm (Page# 386-Interlock Section)
INT6-0016N	8	Shaft Assembly, SM/M Lock Cam 10" Lg (Page# 406)

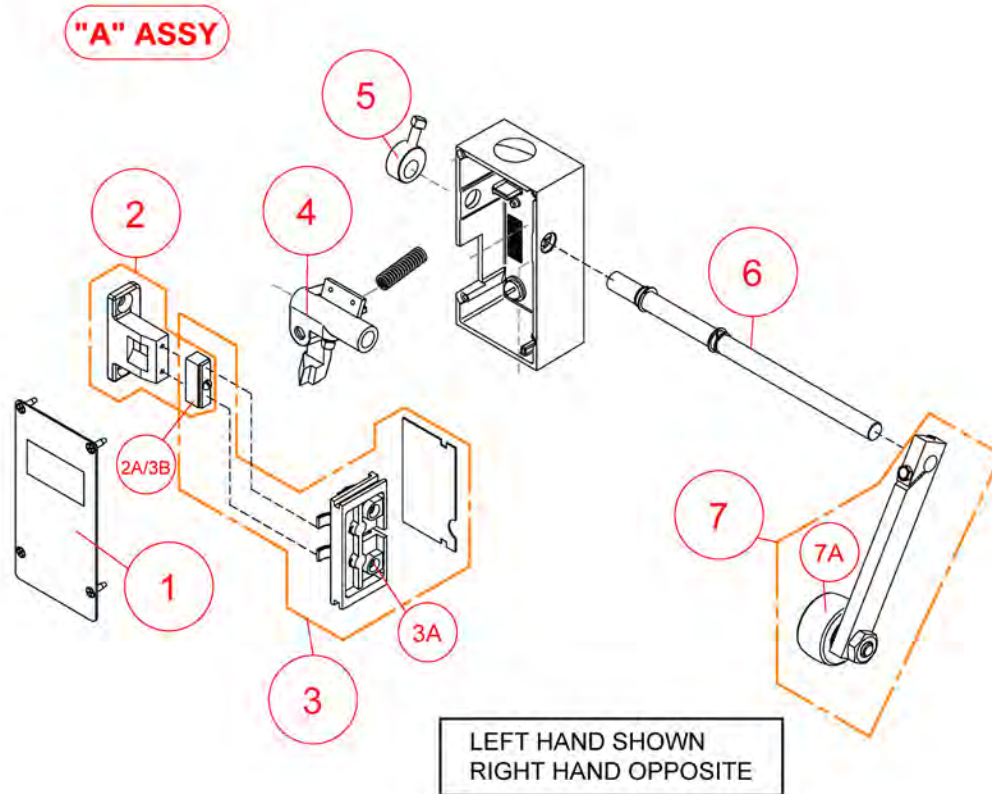
NOTE: Isometric drawings should be used for reference only (See parts sections for details)

DOOR EQUIPMENT

Lock & Contact Isometric Drawing

Sliding Door

Type "SN"



Door Contacts & Switches

Part No.	Item No	Description
SW21-0341L/R	"A" ASSY	Lock/Contact, SN Slide Door 4 1/2" C.L. Arm (Page# 405)
SW21-9001N	1	Cover, SN/SN-Z/SN-C Lock And Contact (Page# 415)
INT4-0004N	2	Keeper, M/N Interlock Slide Door (Page# 380-Interlock Section)
INT5-0019N	2A/3B	Bridging Contact, M/N Keeper (Page# 413 or 376-Interlock Section)
INT22-0020N	3	Contact Kit, "N" Interlock Lower (Page# 375-Interlock Section)
INT22-0022N	3A	Contact Base, "N/NHA" Interlock Lower (Page# 377-Interlock Section)

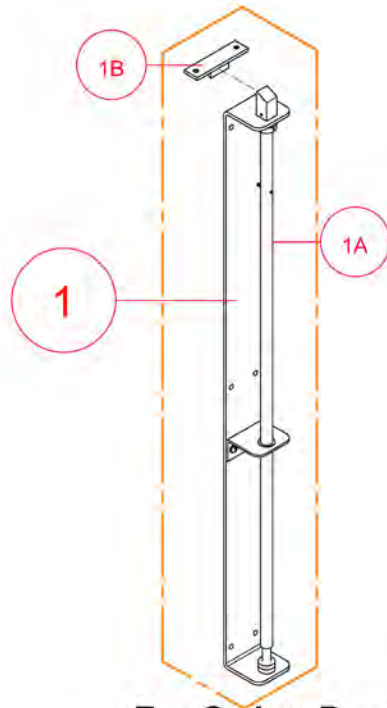
Part No.	Item No	Description
INT6-0012L/R	4	Cam Locking, SM & SN Lock And Contact (Page# 413)
INT5-0028N	5	Clamp, Lock Emergency Unlocking Assembly (Page# 368-Interlock Section)
INT6-0017N	6	Shaft, 10" Lg SM/M Lock Cam (Page# 406)
INT5-0025N	7	Arm & Roller, 4 1/2" C.L. (Page# 386-Interlock Section)
INT5-0027N	7A	Roller & Bolt, Roller Arm (Page# 386)

DOOR EQUIPMENT

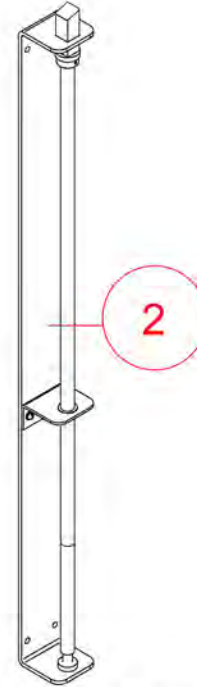
Lock & Contact Isometric Drawing

Swing/Sliding Door

Type "MB"



For Swing Door



For Sliding Door

Door Contacts & Switches

Part No.	Item No	Description
INT26-0001N	1	Lock, "MB" Swing With Keeper Bar (Page# 407)
INT16-0002N	1A	Bar, "MB" Swing Locking (Page# 351-Interlock Section)

Part No.	Item No	Description
INT26-0003N	1B	Keeper, "MB" Swing Door (Page# 407)
INT26-0004N	2	Lock, "MB" Sliding Without Keeper Bar (Page# 407)

DOOR EQUIPMENT

Lock, Contact, & Switch Assemblies

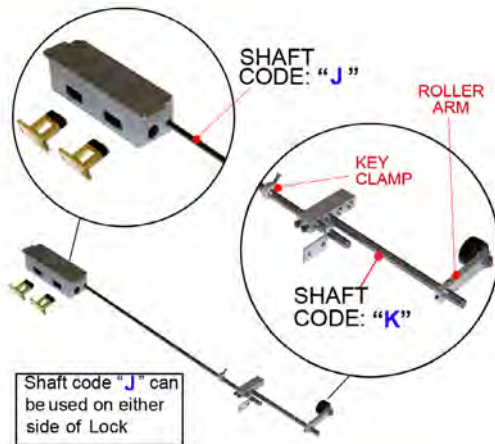
Lock Replacement Shaft Code

- To replace a lock shaft, match the shaft code to the shaft configuration shown in this section on pg. 406

"SDM" Lock (Double Swing Door)

"SDM" Lock and Contact

DOUBLE SWING DOOR



USE "MO" KEY

"SDM-MH" Lock and Contact

DOUBLE SWING DOOR (W/ MECHANICAL HOLD SNAP LATCHES)

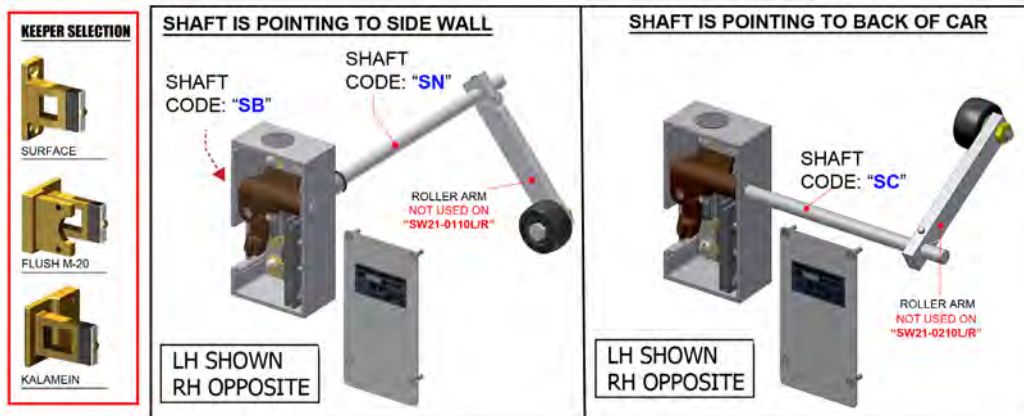


USE "MO" KEY

Part No.	Keeper Type	Roller Arm	List Price
INT8-0001N	DM Interlock	3" CL	\$616.00
INT8-0007N	DM Interlock	4 1/2" CL	\$616.00

Part No.	Keeper Type	Roller Arm	List Price
INT8-0005N	DM Interlock	3" CL	\$678.00

"SN" Lock (For Swing Doors)



Note: All "SN" locks include, switch, keeper & roller arms.

Shaft is pointing to side wall. Use M/N key.

Part No.	Keeper Type	Roller Arm	List Price
SW21-0110L/R	Surface	None	\$80.00
SW21-0111L/R	Surface	4 1/2" CL	\$87.00
SW21-0121L/R	Flush M-20	4 1/2" CL	\$87.00
SW21-0131L/R	Kalamein	4 1/2" CL	\$87.00

Shaft is pointing to back of car. Use M/N key.

Part No.	Keeper Type	Roller Arm	List Price
SW21-0210L/R	Surface	None	\$80.00
SW21-0211L/R	Surface	4 1/2" CL	\$87.00
SW21-0221L/R	Flush M-20	4 1/2" CL	\$87.00
SW21-0231L/R	Kalamein	4 1/2" CL	\$87.00

DOOR EQUIPMENT

Lock, Contact, & Switch Assemblies

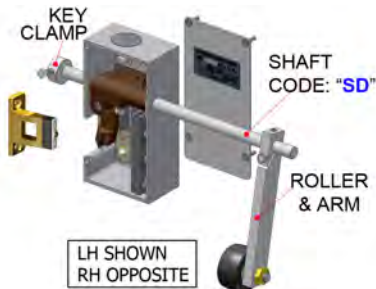
Lock Replacement Shaft Code

- To replace a lock shaft, match the shaft code to the shaft configuration shown in this section on pg. 406

"SN" Lock (For Sliding Doors)

"SN" Adaptor Kit

SW21-0341L/R



Keeper Type	Roller Arm	List Price
STD Sliding Door	4 1/2" CL	\$87.00

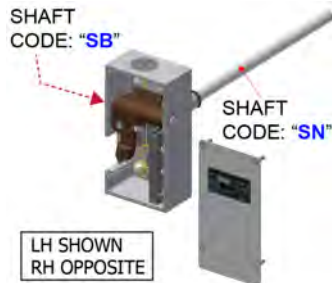
SW21-9003N



Description
Adaptor Kit, SN Lock/Contact, Used When Replacing An Older "SM" Lock List Price: \$12.40

"SN" Switch Assemblies

SW21-0100L/R



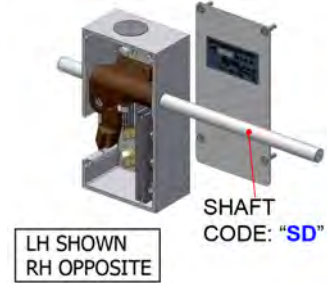
Switch Assembly, SN Lock Swing Doors, Shaft Pointing To Side Wall (Figure 1) List Price: \$62.00

SW21-0200L/R



Switch Assembly, SN Lock Swing Doors, Shaft Pointing To Back Of Car (Figure 2) List Price: \$62.00

SW21-0300L/R



Switch Assembly, SN Lock Slide Doors, Shaft Pointing To Side Wall (Figure 3) List Price: \$62.00

Lock, Contact, & Switch Assemblies

"SDM" Switch Assemblies

INT8-0002N



Description
Switch Assembly, SDM Lock/Contact List Price: \$586.00

INT8-0006N



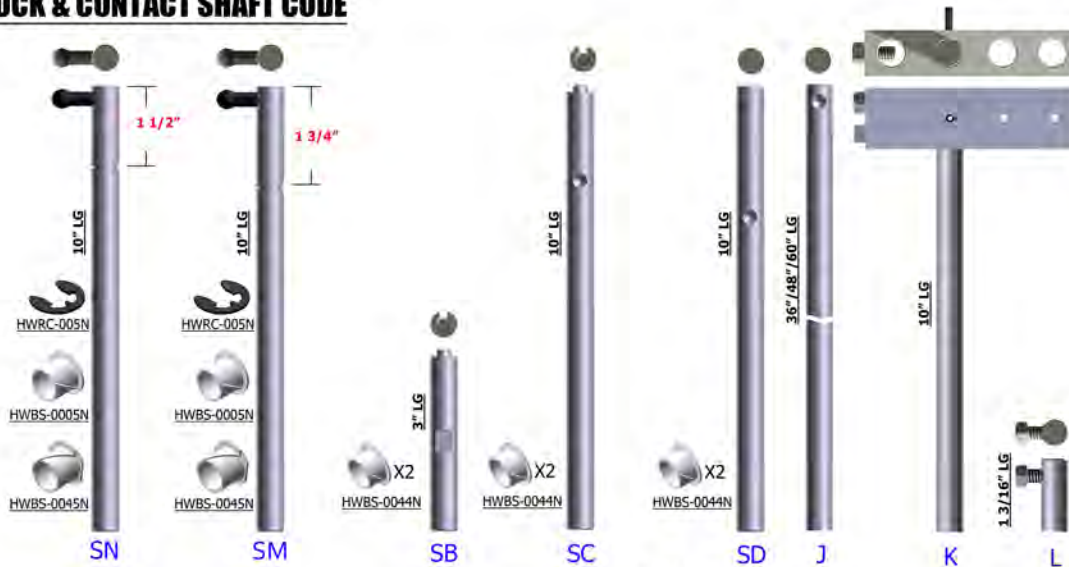
Description
Switch Assembly, SDM-MH Lock-C List Price: \$647.00

DOOR EQUIPMENT

Lock, Contact, & Switch Assemblies

Shaft Codes

LOCK & CONTACT SHAFT CODE



See lock & contact assembly section for appropriate shafts.

EXTRA CHARGE
 If an installation requires any shaft shown above to be longer than standard length, an extra charge per foot will be added to the base price of lock.
List: \$10.00 per foot

Lock Shafts

Part No.	Shaft Code	Description	List Price
INT6-0014N	"SM"	Shaft, SM/M Ball Pin, 10" Lg. (Aluminum Box)	\$24.80
SW21-0101N	"SN"	Shaft Assembly, SN Lock Ball Pin	\$24.80
INT6-0015N	"SB"	Shaft, 3" Lg SM & SN Lock Cam	\$14.20
INT6-0016N	"SC"	Shaft, 10" Lg SM Lock Cam	\$14.20
INT6-0017N	"SD"	Shaft, 10" Lg SM/M Lock Cam For Slide Doors	\$11.80

Part No.	Shaft Code	Description	List Price
INT7-0008N	"J"	Shaft, DM Interlock 36" Lg	\$15.40
INT7-0018N	"J"	Shaft, DM Interlock 48" Lg	\$21.60
INT7-0019N	"J"	Shaft, DM Interlock 60" Lg	\$27.80
INT7-0009N	"K"	Shaft/Coupling, DM Interlock	\$47.00
INT7-0010N	"L"	Shaft, DM Interlock 1 3/16" Lg Assembly	\$3.20

Shafts

Conventional / Water Resistant

SW10-0006N	SW11-0006N	SW14-0004N	SW5-0013N
Shaft, SDC Door Contact Assembly Where Used: SDC List Price: \$6.20	Shaft, K2 Door Contact Where Used: K5, K1, K, K2 (Door Contact) List Price: \$6.20	Shaft, Type "SCLS" Limit Switch Where Used: SCLS List Price: \$9.40	Shaft, LS Switch Arm Pivot Where Used: LS, LS-HA, LD, LD-HA List Price: \$4.80

DOOR EQUIPMENT

Lock, Contact, & Switch Assemblies

Door Contact Assemblies

SW10-0001N



Contact, SDC Single Door
List Price: \$93.00

SW21-2001L/R



Contact, Type "SN-C" Door With Bridging Keeper
List Price: \$77.00

SW12-0001N



Contact, AG Door
List Price: \$77.00

SW12-0002N



Contact, AG-HW Door With Hollister Keeper
List Price: \$77.00

"MB" Bar Lock and Keeper

INT26-0001N



Lock, "MB" Bar Swing, With Keeper
List Price: \$124.00

INT26-0002N



Lock, "MB" Bar Sliding, Without Keeper
List Price: \$93.00

INT26-0004N



Bar, "MB" Swing Locking
List Price: \$93.00

INT26-0003N



Keeper, MB Swing Door
List Price: \$31.00

Lock, Contact, & Switch Assemblies

Gate Switch Assemblies

"G" Gate Switch Arrangement

North Carolina requires Gate Switch with a shield. Refer to Vandal Resistant section Part Number **SW1-0002N**.

SW1-0001N



Switch Assembly, "G" Gate
List Price: \$62.00

SW1-0013N



Switch, "G" Gate Old Style Header Mounted, Used With Old Style Header Mounting Plate
List Price: \$62.00

SW1-0044N



Switch Assembly, "G" Gate With MO Track Mounting Plate
Door Opening: S/S 22"-54" , 2/SP 24"-96" , 3/SP 30"-96" , C/P 24"-83" & 84"-144" , 2SP/CP 24"-83" , 30"-72" , & 84"-144" , 3SP/CP 60"-83" & 84"-144"
List Price: \$74.00

DOOR EQUIPMENT

Lock, Contact, & Switch Assemblies

Gate Switch Assemblies

"G" Gate Switch Arrangement

SW1-0046N



Switch Assembly, "G" Gate, S/S With Header Mounted Angle
 Door Opening: S/S 22"-54"
 List Price: \$77.00

SW1-0047N



Switch Assembly, "G" Gate 2/SP-3/SP With Header Mounted Angle
 Door Opening: 2/SP 24"-96", 3/SP 30"-96"
 List Price: \$77.00

SW1-0048N



Switch Assembly, "G" Gate, MODL & MOVFR II Kit With Gate Switch Roller & Track Mounting Plate (GAL Canada)
 Door Opening: S/S 22"-54", 2/SP 24"-96", 3/SP 30"-96", C/P 24"-83"
 List Price: \$82.00

"G" Gate Switch Arrangement With Shield (Vandal Resistant)

Note: SW1-0045N & SW1-0049N

Used for NYC housing authority & North Carolina jobs only

Note: SW1-0050N & SW1-0051N

Used for specially engineered job situations

SW1-0002N



Switch Assembly, "G" Gate With Shield & Screw In NYC HA & North Carolina Only
 List Price: \$87.00

SW1-0050N



Switch Assembly, "G" Gate, S/S 22"-54" D.O., With Shield & Header Mounted Angle
 List Price: \$102.00

SW1-0051N



Switch Assembly, "G" Gate 2/SP 24"-96" D.O., 3/SP 30"-96" D.O., With Shield & Header Mounted Angle
 List Price: \$102.00

SW1-0045N



Switch Assembly, "G" Gate With Shield & Track Mounting Plate
 Door Opening: S/S 22"-54", 2/SP 24"-96", 3/SP 30"-96", C/P 24"-83" & 84"-144", 2SP/CP 24"-83" & 84"-144", 3SP/CP 60"-83" & 84"-144"
 List Price: \$99.00

SW1-0049N



Switch Assembly, "G" Gate With Shield, Track Mounting Plate, & MODL & MOVFR II Kit With Roller (GAL Canada)
 Door Opening: S/S 22"-54", 2/SP 24"-96", 3/SP 30"-96", C/P 24"-83"
 List Price: \$106.00

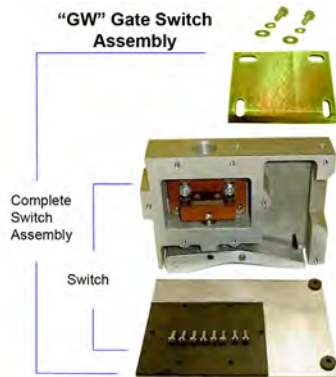
Lock, Contact, & Switch Assemblies

DOOR EQUIPMENT

Lock, Contact, & Switch Assemblies

Gate Switch Assemblies

"GW" Gate Switch - Water Resistant

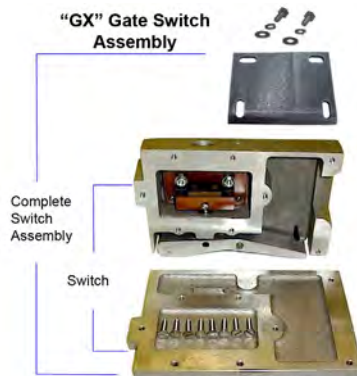


Note: SW15-0001L/R

Center opening installation uses R.H. gate switch

Part No.	Description	List Price
SW15-0001L/R*	Switch, "GW" Gate, Yellow Zinc Dichromate (Not NEMA Rated-UL Listed Or CSA Certified)	\$401.00
SW15-0007L/R*	Switch Assembly, "GW" Gate, (Not NEMA Rated-UL Listed Or CSA Certified) D.O.: S/S - 22"-54", 2/SP - 24"-96", 3/SP - 30"-96", C/P - 2SP/CP - 3SP/CP - 84"-144"	\$416.00
SW15-0009L/R*	Switch Assembly, "GW" Shield Gate, (Not NEMA Rated-UL Listed Or CSA Certified) D.O.: S/S - 22"-54", 2/SP - 24"-96", 3/SP - 30"-96", C/P - 2SP/CP - 3SP/CP - 84"-144"	\$466.00

"GX" Gate Switch - Dust/Explosion Resistant



Note: SW15-0002L/R

Center opening installation uses R.H. gate switch

Part No.	Description	List Price
SW15-0002L/R*	Switch, "GX" Explosion Resistant Gate, (Not NEMA Rated-UL Listed Or CSA Certified)	\$401.00
SW15-0008L/R*	Switch Assembly, "GX" Explosion Resistant Gate, (Not NEMA Rated-UL Listed Or CSA Certified) D.O.: S/S - 22"-54", 2/SP - 24"-96", 3/SP - 30"-96", C/P - 2SP/CP - 3SP/CP - 84"-144"	\$413.00
SW15-0010L/R*	Switch Assembly, "GX" Explosion Resistant Shield Gate, (Not NEMA Rated-UL Listed Or CSA Certified) D.O.: S/S - 22"-54", 2/SP - 24"-96", 3/SP - 30"-96", C/P - 2SP/CP - 3SP/CP - 84"-144"	\$462.00

"VG" Gate Switch

SW2-0001N



Switch, "VG" Gate Vertical Mounting
List Price: \$90.00

"VG-1" Gate Switch

SW2-0003N



Switch, "VG-1" Gate, Vertical Mounting With Spring Loaded Actuating Cam
List Price: \$58.00

Lock, Contact, & Switch Assemblies

DOOR EQUIPMENT








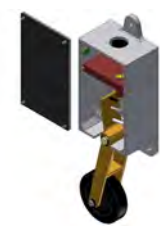



Lock, Contact, & Switch Assemblies

Limit Switch Assemblies

Note:

Mounting brackets for limit switches can also be ordered from Hollister Whitney. Contact Hollister Whitney for order detail.

Lock, Contact, & Switch Assemblies

<p>LS Limit Switch SW5-0001N</p>	<p>LS-HA Limit Switch SW5-0017N</p>	<p>LD Limit Switch SW16-0001N</p>	<p>LD-HA Limit Switch SW16-0006N</p>
			
<p>Switch, "LS" Limit (1) N.C. Contact List Price: \$70.00</p>	<p>Switch, "LS-HA" Limit (1) N.C. Contact, With Gasket List Price: \$84.00</p>	<p>Switch, LD Limit (2) N.C. Contacts List Price: \$74.00</p>	<p>Switch, "LD-HA" Limit (2) N.C. Contacts, With Gasket List Price: \$99.00</p>
<p>LSO Limit Switch SW5-0020N</p>	<p>LSO-HA Limit Switch SW5-0022N</p>	<p>LTD Limit Switch SW4-0002N</p>	<p>LTD-HA Limit Switch SW4-0012N</p>
			
<p>Switch, "LSO" Limit (1) N.O. Contact List Price: \$139.00</p>	<p>Switch, "LSO-HA" Limit (1) N.O. Contact, With Gasket List Price: \$156.00</p>	<p>Switch, LTD Limit, (1) N.C. - (1) N.O. Contacts List Price: \$87.00</p>	<p>Switch, LTD-HA Limit (1) N.C. (1) N.O. Contact, With Gasket List Price: \$104.00</p>
<p>LTS Limit Switch SW4-0001N</p>	<p>LTS-HA Limit Switch SW4-0011N</p>	<p>LS Mounting Bracket Kit SEL-0092N</p>	
			
<p>Switch, LTS Limit, (1) N.C. Contact List Price: \$70.00</p>	<p>Switch, "LTS-HA" Limit (1) N.C., Contact, With Gasket List Price: \$87.00</p>	<p>Bracket Kit, LS Limit Switches Mounting List Price: \$204.00</p>	

DOOR EQUIPMENT

Lock, Contact, & Switch Assemblies

Limit Switch Assemblies

Water/Dust/Corrosion/Explosion Resistant



Note: Mounting brackets for water and explosion resistant limit switches are supplied by Hollister Whitney. Contact Hollister Whitney for order detail.

Part No.	Description	List Price
SW17-0005N	Switch, "LS2A4K" Leveling, SPDT, NEMA Rated 4X S.S. Corrosion Resistant (Replacement For SW17-0004N) Only Available On Special Order. Requires Special 16" Cam (H.W.#411-4) In Lieu Of Vane.	\$1,232.00
SW17-0006N	Switch, "LSXA3N" Limit - N.C., NEMA Rated 7 & 9 Explosion Resistant. Only Available On Special Order	\$616.00
SW17-0007N	Switch, "LSXA3K" Leveling, SPDT, NEMA Rated 7 & 9 Explosion Resistant. Only Available On Special Order. Requires Special 16" Cam (H.W.#411-4) In Lieu Of Vane	\$586.00
SW17-0002N	Switch, "LSA3K" Limit, SPDT, NEMA Rated 4-Water & Dust Tight. Only Available On Special Order	\$432.00
SW17-0001N	Switch, "LSA3N" Limit - N.C., NEMA Rated 4-Water & Dust Tight	\$432.00

SCLS (Sloping Cam) Limit Switch

Replacement Parts Still Available



PARTS LIST:

- SPG-0002N
- SPG-0014N
- SPG-0060N
- SW14-0003N
- SW14-0004N
- SW14-0002N
- OP10-0011N
- OP10-0006N
- OP10-0021N
- OP12-0003R
- OP12-0002N

Lock, Contact, & Switch Assemblies

Magnetic Limit Switch Assembly Kits

Two MLS Limit Switch	Three MLS Limit Switch	MLS Limit Switch Replacement
SW22-0020N	SW22-0030N	SW22-0001N
<p>Unistrut Assembly: 8 PCS</p> <p>2 MAGNETIC LIMIT SWITCH</p>	<p>Unistrut Assembly: 12 PCS</p> <p>3 MAGNETIC LIMIT SWITCH</p>	<p>Switch, "MLS" Magnetic Limit, (Unit Has Four Magnetic Switches In One)</p>
Kit, 2 Magnetic Limit Switch List Price: \$1,290.00	Kit, 3 Magnetic Limit Switch List Price: \$2,107.00	Switch, "MLS" Magnetic Limit, (Unit Has Four Magnetic Switches In One) List Price: \$125.00

DOOR EQUIPMENT

Lock, Contact, & Switch Assemblies

Slack Cable Switch

SC Slack Cable Switch & Roller

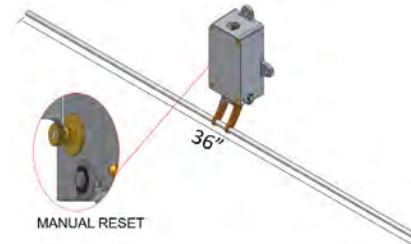
SW5-0003N



Switch, "SC" Slack Cable Switch With Roller & Manual Reset Button, (1) N.C. Contact
List Price: \$108.00

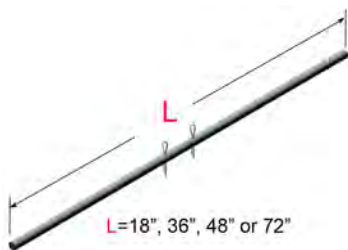
SC Slack Cable Switch & Bar

SW5-0002N



Switch, "SC" Slack Cable With 36" Bar & Manual Reset Button, (1) N.C. Contact
List Price: \$108.00

Bars - Slack Cable Switches



Part No.	Description	List Price
SW5-0007N	Bar, Slack Cable Switch 18" Lg	\$7.80
SW5-0008N	Bar, Slack Cable Switch 36" Lg	\$13.00
SW5-0009N	Bar, Slack Cable Switch 48" Lg	\$19.00
SW5-0010N	Bar, Slack Cable Switch 72" Lg	\$30.00

Lock, Contact, & Switch Assemblies

Broken Cable Switch

Cable Switch Assembly

SW3-0002N



Switch & Spring Assembly, Broken Cable - (1) N.C.
List Price: \$104.00

Cable Switch

SW3-0001N



Switch, Broken Cable - (1) N.C.
List Price: \$77.00

Cable Spring Assembly

SW3-0004N



Spring/Angle Assembly, Cable Where Used: Broken Cable
List Price: \$53.00

Cable Rod Assembly

SW3-0005N



Rod Assembly, Adjusting Cable Where Used: Broken Cable
List Price: \$18.60

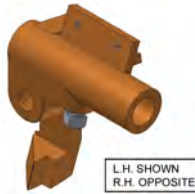
DOOR EQUIPMENT

Lock, Contact, & Switch Parts

Cams

Conventional / Water / Explosion / Dust Resistant

INT6-0012L/R



L.H. SHOWN
R.H. OPPOSITE

Cam Locking, SM & SN Lock And Contact
List Price: \$39.00

INT8-0003N



Cam, SDM Lock/Contact Locking
List Price: \$44.00

SW14-0002N



Cam Assembly, Type "SCLS" Limit Switch
Where Used: SCLS
List Price: \$47.00

SW2-0002N



Cam Assembly, VG Gate Switch
Where Used: VG
List Price: \$56.00

SW10-0004N



Cam Assembly, SDC Bridging Contact
Where Used: SDC
List Price: \$56.00

SW15-0003L/R



L.H. SHOWN
R.H. OPPOSITE

Cam, Type "GW And GX" Activating
Where Used: GW, GX
List Price: \$71.00

Contacts & Contact Kits

INT22-0020N

SN/N



Contact Kit, N/SN Interlock Lower
List Price: \$34.00

INT5-0015N

M/SM



Contact Kit, M/SM Interlock Lower
List Price: \$34.00

INT5-0017N

M/SM



Contact Base, M Interlock Lower
List Price: \$21.60

INT5-0019N

SN, SM, N, M, SDM



Contact, M/N/SM/SN/SDM Keeper
Bridging Block
List Price: \$7.00

INT8-0004N

SDM



Contact Base, SDM Lock
List Price: \$59.00

SW10-0003N

SDC



Contact Base, SDC
Where Used: SDC
List Price: \$24.80

SW10-0005N

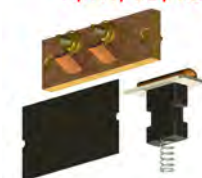
SDC



Contact, SDC Bridging
Where Used: SDC
List Price: \$15.40

SW11-0008N

K, K1, K2, K5



Contact Kit, K, K1, K2, K5 Switch
Where Used: K5, K, K2, K1
List Price: \$44.00

Lock, Contact, &
Switch Parts

DOOR EQUIPMENT

Lock, Contact, & Switch Parts

Contacts & Contact Kits

SW11-0005N

K, K1, K2, K5



Contact, K, K1, K2, K5 Bridging
Where Used: K5, K1, K, K2
List Price: \$15.40

SW11-0003N

K, K1, K2, K5



Contact Base, K, K1, K2, K5 Door
Where Used: K5, K1, K, K2
List Price: \$24.80

SW12-0004N

AG



Contact Base, AG Door
Where Used: AG (Door Contact)
List Price: \$21.60

SW1-0003N

G-KT



Contact Kit, G-KT Gate Switch
Where Used: Broken Cable, G, VG
List Price: \$34.00

SW5-0040N

LSO



Contact Kit, LSO Limit Switch
Where Used: LSO, LSO-HA
List Price: \$79.00

SW5-0024N



Contact Base, LSO Limit Switch
With (2) Screws
Where Used: LSO, LSO-HA
List Price: \$50.00

SW5-0023N

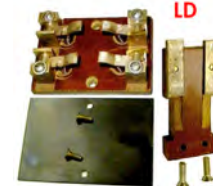
LSO



Contact, LSO Bridging, With (2) Screws
Where Used: LSO, LSO-HA
List Price: \$29.00

SW16-0005N

LD



Contact Kit, LD Limit Switch
Where Used: LD, LD-HA
List Price: \$62.00

SW16-0002N

LD



Contact Base, LD Limit Switch
Where Used: LD, LD-HA
List Price: \$44.00

SW16-0003N

LD



Contact, LD Bridging
Where Used: LD, LD-HA
List Price: \$18.60

SW4-0014N

LTD



Contact Kit, LTD Limit Switch
Where Used: LTD, LTD-HA
List Price: \$44.00

SW4-0006N

LTD



Contact Base, LTD Limit Switch
Double
Where Used: LTD, LTD-HA
List Price: \$24.80

SW4-0013N

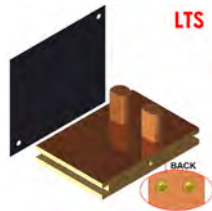
LTS



Contact Kit, LTS Limit Switch
Where Used: LTS, LTS-HA
List Price: \$37.00

SW4-0005N

LTS



Contact Base, LTS Limit Switch
Single
Where Used: LTS, LTS-HA
List Price: \$18.60

SW4-0007N

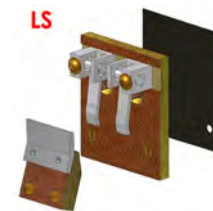
LTS/LTD



Contact, LTS/LTD Bridging
Where Used: LTS, LTS-HA, LTD, LTD-HA
List Price: \$18.60

SW5-0016N

LS



Contact Kit, LS Limit Switch
Where Used: LS, LS-HA
List Price: \$31.00

Lock, Contact, & Switch Parts

DOOR EQUIPMENT

Lock, Contact, & Switch Parts

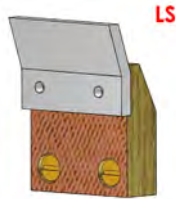
Contacts & Contact Kits

SW5-0012N



Contact Base, LS Limit Switch, With Insulator
Where Used: LS, LS-HA
List Price: \$21.60

SW5-0011N

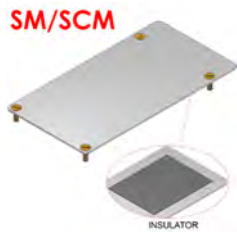


Contact, LS Bridging
Where Used: LS, LS-HA
List Price: \$9.40

Covers

Conventional / Water Resistant

INT6-0011N



Cover Assembly, SM/CSM Lock Contact
List Price: \$9.40

INT8-0008N



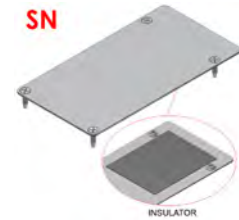
Cover, SDM Lock & Contact
List Price: \$12.40

INT8-0009N



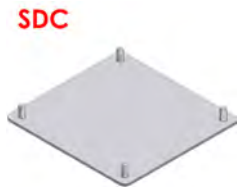
Cover, SDM-MH Lock & Contact
List Price: \$62.00

SW21-9001N



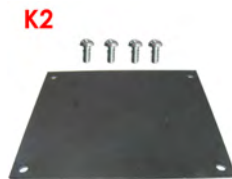
Cover, SN/SN-Z/SN-C Lock And Contact
List Price: \$9.40

SW10-0002N



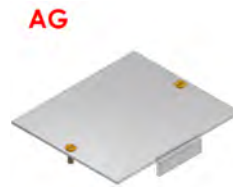
Cover, SDC Single Assembly Door
Where Used: SDC
List Price: \$9.40

SW11-0002N



Cover, K2 Door Contact Assembly
Where Used: K2 (Door Contact)
List Price: \$9.40

SW12-0003N



Cover, AG Door Contact Assembly
Where Used: AG (Door Contact)
List Price: \$15.40

SW1-0041N



Shield Kit, Tamper Resistant Gate Switch, Includes (2) Spanner Head Screws
Where Used: G
List Price: \$24.80

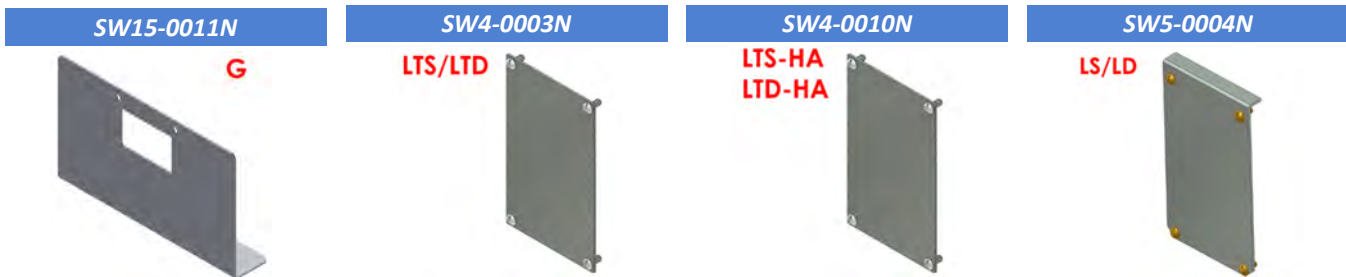
Lock, Contact, & Switch Parts

DOOR EQUIPMENT

Lock, Contact, & Switch Parts

Covers

Conventional / Water Resistant

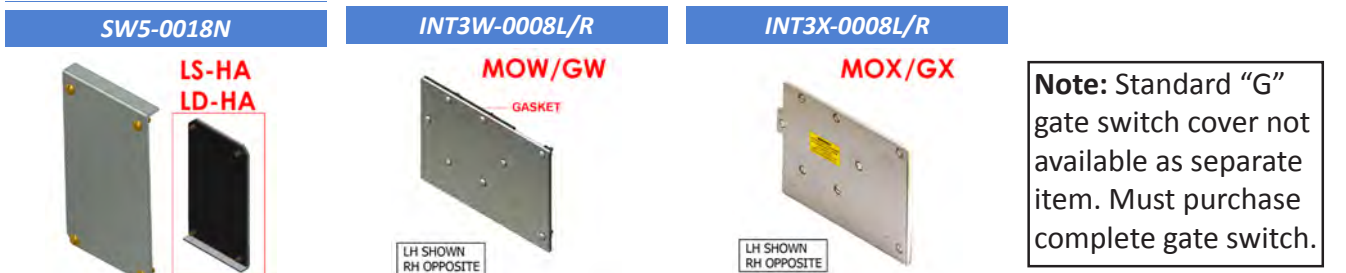


SW15-0011N
G
Shield, Gate Switch North Carolina - Yellow Zinc Dichromate
Where Used: G
List Price: \$53.00

SW4-0003N
LTS/LTD
Cover, LTS/LTD Limit Switch Assembly
Where Used: LTS, LTS-HA, LTD, LTD-HA
List Price: \$7.40

SW4-0010N
LTS-HA LTD-HA
Cover, LTS-HA/LTD-HA Limit Switch With Gasket
Where Used: LTS-HA, LTD-HA
List Price: \$24.40

SW5-0004N
LS/LD
Cover, LS/LD Limit Switch
Where Used: LS, LD
List Price: \$7.40



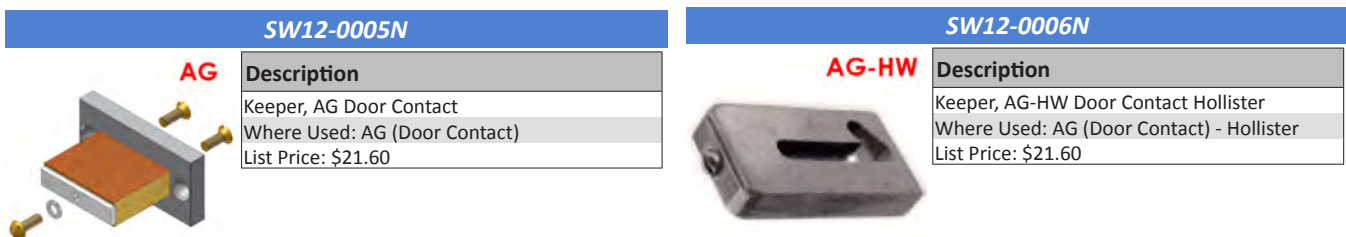
SW5-0018N
LS-HA LD-HA
Cover, LS-HA/LD-HA/LSO-HA Limit Switch, With Gasket
Where Used: LS-HA, LD-HA
List Price: \$24.40

INT3W-0008L/R
MOW/GW
Cover, Type MOW Interlock GW Gate Switch, With Hardware & Gasket
Where Used: MOWH, GW
List Price: \$93.00

INT3X-0008L/R
MOX/GX
Cover, Type MOX Interlock GX Gate Switch, Yellow Zinc Dichromate, With Hardware
Where Used: MOXH, GX
List Price: \$93.00

Note: Standard "G" gate switch cover not available as separate item. Must purchase complete gate switch.

Keepers



SW12-0005N
AG
Description
Keeper, AG Door Contact
Where Used: AG (Door Contact)
List Price: \$21.60

SW12-0006N
AG-HW
Description
Keeper, AG-HW Door Contact Hollister
Where Used: AG (Door Contact) - Hollister
List Price: \$21.60

Lock, Contact, & Switch Parts

DOOR EQUIPMENT

Lock, Contact, & Switch Parts

Mounting Plates

SW1-0008N



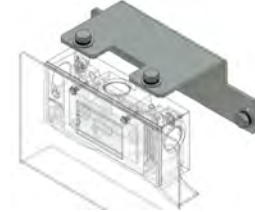
Bracket, Gate Switch Type "C" Hanger, SS-2SP-3SP
Where Used: G
List Price: \$15.40

SW1-0014N



Header Mounting Kit, SS Gate Switch
Where Used: G
List Price: \$15.40

SW1-0016N



Header Mounting Kit, 2 SP Gate Switch
Where Used: G
List Price: \$15.40

Rollers & Arms

ROL-0006N



Roller, Gate Switch 1 1/4" O.D, 1 1/4 O.D. X 1/4 I.D.
Where Used: G
List Price: \$2.80

SW1-0005N



Roller, Arm, Gate Switch, Used With MODG Operators
Where Used: G, VG
List Price: \$24.80

SW1-0006N



Roller, Arm, Gate Switch 2CP, Gate Switch Roller And Arm
Where Used: G
List Price: \$24.80

SW1-0007N



Roller And Bolt, Gate Switch
Where Used: G, VG
List Price: \$7.40

SW11-0007N



Arm, K2 Contact Actuating
Where Used: K2 (Door Contact)
List Price: \$23.20

SW14-0003N



Arm, Sloping Cam Limit Switch
Where Used: SCLS
List Price: \$57.00

SW15-0004N



Roller And Bolt, Gate Switch Plated
Where Used: GW, GX
List Price: \$14.80

SW15-0005N



Roller And Arm, Gate Switch Plated
Where Used: GW, GX
List Price: \$50.00

SW16-0004N



Arm, LD Limit Switch
Where Used: LD, LD-HA
List Price: \$47.00

SW17-0008N



Lever Assembly, Actuating Switch, To Be Used On NEMAs 47 & 9
Where Used: LSA3N, LS2A3N, LSXA3N, LSXA3K, LS2A4K
List Price: \$102.00

SW4-0004N



Arm, LTS/LTD Limit Switch
Where Used: LTS, LTS-HA, LTD, LTD-HA
List Price: \$37.00

SW4-0009N



Roller, Shaft, Limit Switch
Where Used: LTS, LTS-HA, LTD, LTD-HA, LD, LD-HA, Single/Double Contact
List Price: \$9.40

Lock, Contact, & Switch Parts

DOOR EQUIPMENT

Lock, Contact, & Switch Parts

Rollers & Arms

SW5-0005N



Arm, LS Limit Switch
Where Used: LS, LS-HA
List Price: \$37.00

SW5-0006N



Arm, "SC" Slack Cable Switch
Where Used: Slack Cable, Bar & Roller Type
List Price: \$37.00

SW5-0015N



Roller, "SC" Shaft, Slack Cable
(Remove Bushing)
Where Used: Slack Cable
List Price: \$9.40

Springs

Conventional / Water Resistant

SPG-0060N



Spring, 9/16" Lg x 1 7/32" OD-0.080 Wire, 6 1/2" Turns
Where Used: SCLS
List Price: \$9.40

SPG-0005N



Spring, 1" Lg x 1/4" OD-0.020 Music Wire, 2 Turns
Where Used: SDC
List Price: \$3.20

SPG-0014N



Spring, 1 1/16" Lg x 11/32" OD-0.026 Wire, 11 Turns
Where Used: SCLS
List Price: \$0.80

SPG-0024N



Spring, 1 1/4" Lg x 9/32" OD-0.030 Wire, 15 Turns
Where Used: K2, SDC
List Price: \$3.20

SPG-0033N



Spring, 1 3/4" Lg x 17/32" OD-0.055 Wire, 13 Turns
Where Used: LS, LS-HA, LSO, LSO-HA, LTS, LTS-HA, LTD & LTD-HA
List Price: \$3.20

SPG-0077N



Spring, 1 7/8" Lg x 15/32" OD-0.067 Wire, 13 Turns (Cut From SPG-0040N)
Where Used: LD, LD-HA
List Price: \$4.80

SPG-0027N



Spring, 2 1/8" Lg x 7/16" OD-0.047 Wire, 15 Turns
Where Used: Slack Cable, Bar & Roller Type
List Price: \$3.20

SPG-0041N



Spring, 22" Lg x .542 OD-0.076 Music Wire, 110 Turns
Where Used: Broken Cable Switch
List Price: \$18.60

Lock, Contact, & Switch Parts

DOOR EQUIPMENT

Lock, Contact, & Switch Parts

Hardware

HDW-0002N



Plug, 3/4" ID Elect K/O DP 875 Blk Bushing
Where Used: G, SN
List Price: \$0.80

HWBS-0050N



Bushing, Flanged 3/4 OD 5/8 ID Brz
Where Used: Slack Cable
List Price: \$3.20

HWSC-0291N



Screw, 1/4-20 X 1 1/4" Hex Head Steel
Where Used: G
List Price: \$1.40

GAL

Signal Fixture Components

GAL SIGNAL FIXTURES



**CAR TOP INSPECTION
& PITCH SWITCHES**
420-423



PUSH BUTTON MODULES
(ALL TYPES)
424-433



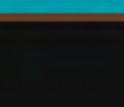
**PUSH-PULL & TOGGLE
SWITCH MODULES**
434-441



KEY SWITCH MODULES:
• Fire Service
• Emergency Power
442-471



KEY SWITCH MODULES :
(VARIOUS MARKINGS & TYPES)
• Medeco
• GAL Standard
472-478



- Key Cylinders
- Cabinet Locks
- Capacity Plates
- Handicap Plates
- Emergency Phones
- Hinges
- Indicators
- Lamps
- Emergency Light
- Boards
- Audible Signals
- Car Switches

479-500

TABLE OF CONTENTS

Signal Fixtures

CAR TOP INSPECTION STATIONS			
BASIC CAR TOP ARRANGEMENT	421		
WEATHER RESISTANT	422		
NYC HOUSING AUTHORITY TYPE	422		
ALARM BELL	422		
ALARM BELL (WP)	422		
LAMP GUARD	422		
SOCKET	422		
CAR TOP AUDIBLE SIGNALS	422		
PIT SWITCHES			
TOGGLE SWITCH TYPE	423		
PUSH/PULL TO STOP SWITCH TYPE			
CONVENTIONAL	423		
WATER RESISTANT	423		
EMERGENCY EXIT SWITCHES - TOP OF CAR	423		
PUSH BUTTON MODULES			
MODULES WITH PLASTIC CAP			
ILLUMINATED - INCANDESCENT LAMPS	424		
ILLUMINATED - NEON LAMPS	425		
NON-ILLUMINATED	426		
MODULES WITH METAL CAP			
ILLUMINATED - INCANDESCENT LAMPS	426		
ILLUMINATED - NEON LAMPS	428		
NON-ILLUMINATED	428		
NON-ILLUMINATED (WATER RESISTANT)	429		
ILLUMINATED - JEWEL LIGHT	429		
ILLUMINATED - JEWEL LIGHT (VPMC-11)	430		
VPMC-14 EXTENDER MODULES & PARTS			
LED PRINTED CIRCUIT BOARDS	431		
RA SERIES PB MODULES WITH METAL CAPS	432		
PUSH BUTTON INSERTS			
STANDARD TYPE	433		
CALIFORNIA TYPE	433		
PUSH-PULL TYPE MODULES			
EMERGENCY STOP SWITCH MODULES			
HANDLE (ROUND RED PLASTIC) MARKED PUSH TO STOP	434		
HANDLE (ROUND RED PLASTIC) MARKED PULL TO STOP	435		
EMERGENCY STOP SWITCH MODULES (VP)			
HANDLE (ROUND METAL) MARKED PULL TO STOP	436		
HANDLE (ROUND METAL) MARKED PUSH TO STOP	436		
EMERGENCY STOP SWITCH MODULES (VP WITH HALO)			
HANDLE (ROUND METAL) MARKED PULL TO STOP	437		
HANDLE (ROUND METAL) MARKED PUSH TO STOP	438		
EMERGENCY STOP SWITCH MODULES (WATER RESISTANT)			
HANDLE (ROUND METAL) MARKED PUSH TO STOP	439		
DOOR HOLD SWITCH MODULES			
HANDLE (ROUND WHITE PLASTIC)	439		
TOGGLE TYPE MODULES			
VARIOUS TOGGLE TYPE SWITCH MODULES	440		
RUN-STOP TOGGLE SWITCH MODULES	441		
PLUG ASSEMBLIES	441		
HALL AND CAR STATION PANEL LAYOUT	442		
FIRE SERVICE KEY SWITCHES			
HOW TO FIND YOUR FIRE SERVICE KEY SWITCH	445		
NATIONAL CODE CHART			
ANSI-1996	448		
ASME-2000	449		
ASME-2004	450		
ASME-2007-2010	451		
STATE AND CITY CODE CHART ANSI-1996			
CALIFORNIA (ALL CITIES)	451		
CONNECTICUT (ALL CITIES)	452		
ILLINOIS, CHICAGO CITY	453		
MAINE (ALL CITIES)	453		
MASSACHUSETTS (ALL CITIES)	454		
NEW HAMPSHIRE (ALL CITIES)	454		
NEW JERSEY (ALL CITIES)	454		
NEW YORK, ISLIP TOWNSHIP	455		
NEW YORK, MOUNT VERNON	455		
NEW YORK, NEW ROCHELLE	456		
NEW YORK, NEW YORK CITY	456		
NEW YORK, WHITE PLAINS	457		
NEW YORK, YONKERS	457		
PENNSYLVANIA (ALL CITIES)	458		
SOUTH CAROLINA (ALL CITIES)	459		
PUERTO RICO, PUERTO RICO (IN SPANISH)	459		
STATE AND CITY CODE CHART ASME-2000			
ILLINOIS, CHICAGO CITY	460		
MAINE (ALL CITIES)	461		
MASSACHUSETTS (ALL CITIES)	461		
NEW HAMPSHIRE (ALL CITIES)	461		
NEW YORK, ISLIP TOWNSHIP	462		
NEW YORK, MOUNT VERNON	462		
NEW YORK, NEW ROCHELLE	463		
NEW YORK, NEW YORK CITY	463		
NEW YORK, WHITE PLAINS	464		
NEW YORK, YONKERS	464		
SOUTH CAROLINA (ALL CITIES)	465		
STATE AND CITY CODE CHART ASME-2004-2010			
ARIZONA (ALL CITIES)	465		
MAINE (ALL CITIES)	466		
MASSACHUSETTS (ALL CITIES)	466		
NEW HAMPSHIRE (ALL CITIES)	466		
NEW JERSEY (ALL CITIES)	467		
NEW YORK, ISLIP TOWNSHIP	467		
NEW YORK, MOUNT VERNON	467		
NEW YORK, NEW ROCHELLE	468		
NEW YORK, WHITE PLAINS	468		
NEW YORK, YONKERS	469		
SOUTH CAROLINA (ALL CITIES)	469		

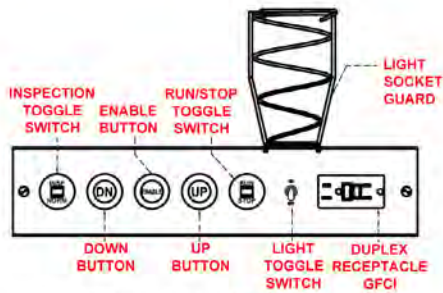
TABLE OF CONTENTS

Signal Fixtures

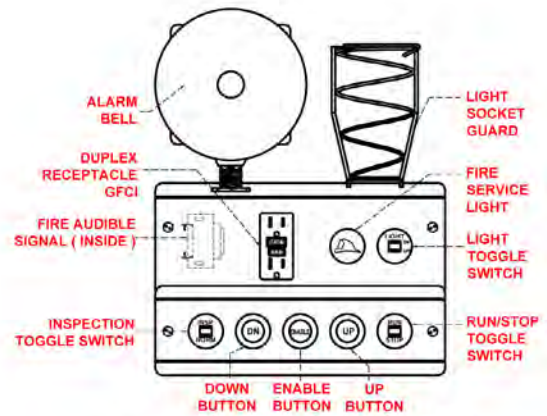
RHODE ISLAND	470	COVER FLUSH MOUNT - WITHOUT ENGRAVING	485
WEATHERPROOF		HANDS FREE EMERGENCY PHONE PARTS	
NATIONAL CODE CHART ANSI-1996	470	CABINET FLUSH MOUNTED (NO PHONE)	485
NATIONAL CODE CHART ASME-2000 & 2004	470	PUSH BUTTON MODULE & PARTS REPLACEMENT	485
CALIFORNIA & PENNSYLVANIA ANSI-1996	471	LINE CONCENTRATORS	486
EMERGENCY POWER KEY SWITCHES	471	LINE COMMUNICATIONS FAILURE STATION	486
KEY SWITCH MODULES		TELEPHONE REPLACEMENTS FOR VIKING	486
G.A.L. (CHICAGO) STANDARD MODULES		TELEPHONE REPLACEMENTS FOR K-TECH	486
ROUND HALO MODEL "RKB" & "RKW"	472	TELEPHONE REPLACEMENTS FOR WURTEC	487
SQUARE HALO MODEL "SKB" & "SKW"	473	HINGES	487
MEDECO SECURITY MODULES		HANDLE - PHONE BOX COVER	488
ROUND HALO MODEL "RKB" & "RKW"	474	INDICATORS	
SQUARE HALO MODEL "SKB" & "SKW"	475	POSITION INDICATOR INSERTS WITH SHIELD	
MEDECO SECURITY FLUSH CYLINDER MODULES		INSERTS 1 1/8" ROUND	489
NO HALO	476	INSERTS 1 1/16" SQUARE	489
MEDECO SECURITY SHELL MOUNTED MODULES		INDICATOR LIGHTS	489
COVER MOUNTED SHELL	477	FIRE SERVICE INDICATOR MODULES	490
MEDECO "O.S." SHELL MOUNTED REPLACEMENT MODULES	477	POSITION INDICATOR DIGITAL DISPLAY BOARDS	
VARIOUS SPECIALTY KEY SWITCH MODULES		DIGITAL DISPLAY - 1" H-1CH AND 1" H-2CH WITH ARROW	490
ROUND HALO MODEL "RKB" & "RKR"	478	DIGITAL DISPLAY - 2.2" H-2CH WITH ARROW	490
KEY CYLINDER ASSEMBLIES		DIGITAL DISPLAY - 2.5" H WITH ARROW	490
MEDECO SECURITY KEY CYLINDER- ASSEMBLIES WITH THREADED STUD		DIGITAL DISPLAY - 2.2" H-3CH WITH ARROW	490
KEY CYLINDERS - STAINLESS STEEL FINISH	479	DIGITAL DISPLAY - 3" H WITH ARROW	490
KEY CYLINDERS - STAINLESS STEEL FINISH (TRIPLE LETTER)	479	INDICATOR LIGHT MODULES	491
KEY CYLINDERS - STAINLESS STEEL FINISH (TYPE "TL")	479	FILMS & HOLDERS - VISIBLE WHEN ILLUMINATED	492
KEY SWITCHES (ELECTRICAL CONTACT)		LENS - VISIBLE WHEN ILLUMINATED	492
MEDECO SECURITY ELECTRICAL KEY- SWITCH ASSEMBLIES WITH (6) LEADS		LENS - MOLDED LANTERN	492
ELECTRICAL SWITCH - SPRING RETURN	480	LENS - VANDAL RESISTANT LANTERN	492
ELECTRICAL SWITCH - KEY REMOVABLE "OFF" ONLY	480	FILTERS - LANTERN LENS	492
ELECTRICAL SWITCH - KEY REMOVABLE BOTH POSITIONS	480	LAMPS	
MASSACHUSETTS "EMT" MEDICAL EMERGENCY KEY SWITCH	480	LAMP SOCKETS & HOLDERS	493
CHICAGO SPECIALTY ELECTRICAL KEY - SWITCH ASSEMBLIES WITH TERMINALS		LED PRINTED CIRCUIT BOARDS	493
ELECTRICAL SWITCH - SPRING RETURN	481	LED LAMPS	
ELECTRICAL SWITCH - KEY REMOVABLE BOTH POSITIONS	481	LED MINIATURE FLAT BULB, PSB TYPE	494
KEYED CABINET LOCKS		INCANDESCENT LAMPS	
FIRE SERVICE CABINET LOCK ASSEMBLIES	482	DIALIGHT SET	495
UTILITY SERVICE CABINET LOCK ASSEMBLIES	482	MINIATURE LAMP, PSB TYPE	495
CAPACITY PLATES	483	EMERGENCY LIGHT UNIT	
HANDICAP PLATES	483	POWER PACKS	496
EMERGENCY PHONES		BATTERIES	496
HANDS FREE EMERGENCY PHONES		LENS & PRINTED CIRCUIT BOARDS - EMERGENCY LIGHT	496
SURFACE MOUNT	484	PRINTED CIRCUIT BOARDS	
FLANGE MOUNT	484	SERIAL HALL & CAR STATION BOARDS	497
CABINET FLUSH MOUNT - WITH PHONE	484	PUSH BUTTON INTERPHASE BOARDS	497
COVER FLUSH MOUNT - WITH ENGRAVING	484	AUDIBLE SIGNALS	
		CHIMES	498
		GONGS	498
		CAR SWITCH PARTS	499

SIGNAL FIXTURE COMPONENTS

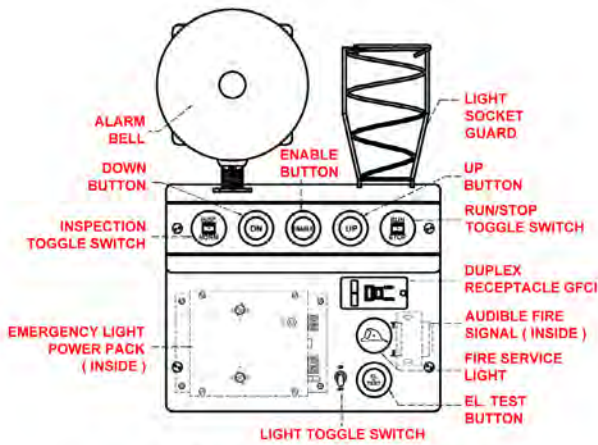
Car Top Inspection Stations



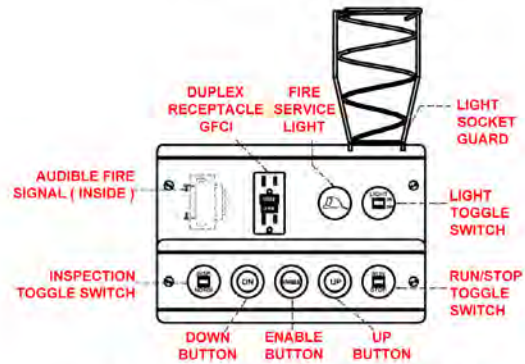
CT-10 | P/N: CTI-0001N



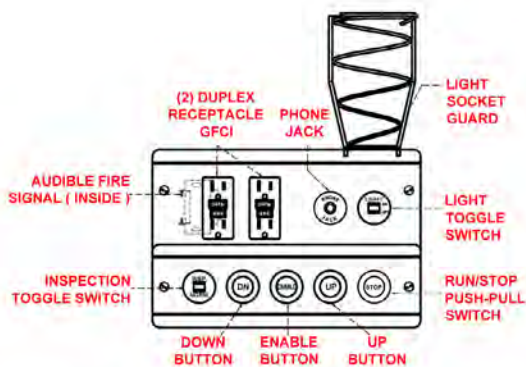
CT-7 | P/N: CTI-0007N (120 V)*
P/N: CTI-0018N (24 V)*



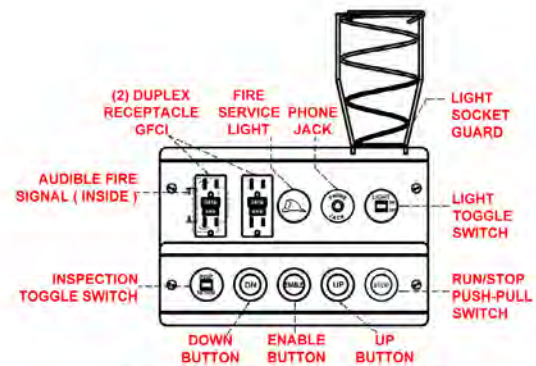
CT-4 | P/N: CTI-0006N (120 V)*
P/N: CTI-0017N (24 V)*



CT-6 | P/N: CTI-0004N (120 V)*
P/N: CTI-0015N (24 V)*



CT-9 | P/N: CTI-0011N



CT-13 | P/N: CTI-0012N (120 V)*
P/N: CTI-0020N (24 V)*

Voltage Requirements

- Fire light & audible fire signal: 120 or 24 volts (See Part No.)*
- Alarm bells: 6 volts

- Lamps socket and GFCI receptacle: 120 volts
- Emergency light power pack: 120 volts

SIGNAL FIXTURE COMPONENTS

Car Top Inspection Stations

Note: Light bulb not included.

Basic Car Top Arrangement

CTI-0001N



Inspection Station, CT-10 Car Top, With Light Socket
List Price: \$185.00

CTI-0018N



Inspection Station, CT-7 24V Car Top, With Light Socket, Fire Light, & Alarm Bell
List Price: \$570.00

CTI-0007N



Inspection Station, CT-7 120V Car Top, With Light Socket, Fire Light, & Alarm Bell
List Price: \$570.00

Conventional

CTI-0006N



Inspection Station, CT-4 120V Car Top, With Light Socket, Fire Light, Alarm Bell, & Emergency Light Power Pack
List Price: \$1063.00

CTI-0017N



Inspection Station, CT-4 24V Car Top, With Light Socket, Fire Light, Alarm Bell, & Emergency Light Power Pack
List Price: \$1063.00

CTI-0004N



Inspection Station, CT-6 120V Car Top, With Fire Light & Light Socket
List Price: \$416.00

CTI-0015N



Inspection Station, CT-6 24V Car Top, With Fire Light & Light Socket
List Price: \$416.00

CTI-0011N



Inspection Station, CT-9 Car Top, With Light Socket, (2) Duplex GFCI, & Less Fire Hat
List Price: \$444.00

CTI-0012N



Inspection Station, CT-13 120V Car Top, With Fire Light, Light Socket, Phone Jack, & (2) Duplex GFCI
List Price: \$530.00

CTI-0020N



Inspection Station, CT-13 24V Car Top, With Fire Light, Light Socket, Phone Jack, & (2) Duplex GFCI
List Price: \$530.00



Note: Car top stations used with G.A.L. GALaxy controllers have circuit boards in them related to specific controllers. To order one of these car top stations contact G.A.L. controller engineering department with G.A.L. Job No. for assistance.

SIGNAL FIXTURE COMPONENTS

Car Top Inspection Stations

Weather Resistant

CTI-0003N



Inspection Station, CT-11WP Car Top Weather Resistant-Push Pull Inspection, Fire Light, & Stop
List Price: \$524.00

CTI-0010N



Inspection Station, CT-8 WP 120V Car Top Weather Resistant-Push Pull Inspection, Fire Light, & Stop
List Price: \$971.00

CTI-0019N



Inspection Station, CT-8 WP 24V Car Top Weather Resistant-Push Pull Inspection & Stop
List Price: \$971.00

NYC Housing Authority Type

CTI-0005N



Description

Inspection Station, CT-12 Car Top-NYCHA, & Run Toggle With Off-On Inspection Key Switch
List Price: \$539.00

CTI-0016N



Description

Inspection Station, CT-12 NYCHA Tricon Controller Car Top, & Run Toggle With Off-On Inspection Key Switch
List Price: \$539.00

Fire Service

Car Top Audible Signal

CTI-0013N



Description

Fire Service, CT-F 120 Volts Car Top A1-382K Audible Signal 120V With 3.3K Ohm 10 Watt Parallel Resistor
List Price: \$81.00

CTI-0014N



Description

Fire Service, CT-F 24 Volts Car Top # A1-383K Audible Signal 24V
List Price: \$81.00

Alarm Bell

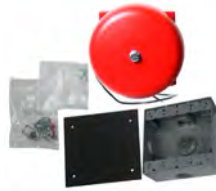
HWEL-0162N



Bell, 6" Alarm, 6 Volt, Red Or Gray (Replaces HWEL-0009N)
List Price: \$75.00

Alarm Bell (WP)

HWEL-0136N



Bell, 6" Alarm, Water Resistant, 6 Volt, Red Or Gray With #449 WP Box
List Price: \$231.00

Lamp Guard

HWEL-0195N



Lamp Guard, Tapered Coil
List Price: \$9.00

Socket

HWEL-0011N



Socket, Light Bulb Holder, Pigtail Type-8 1/2" 18 Gauge
List Price: \$9.00

SIGNAL FIXTURE COMPONENTS

Pit Switches

Toggle Switch Type

PTS-0001N



Description
 Pit Switch, Standard - (Toggle)
 List Price: \$50.00

PTS-0002N



Description
 Pit Switch, Shielded - (Toggle)
 List Price: \$65.00

Push/Pull to Stop Switch Type

Conventional

PTS-0004N



Description
 Pit Switch, With Guard - (Push/Pull to Stop)
 List Price: \$71.00

Water Resistant

PTS-0003N



Description
 Pit Switch, With Guard, Water Resistant - (Push/Pull to Stop)
 List Price: \$222.00

Emergency Exit Switches - Top Of Car

SW19-0001N



Switch, Type "CTE-1" Emergency Exit, Top Of Car - With Depressed Button
 List Price: \$151.00

SW19-0002N



Switch, Type "CTE-2" Emergency Exit, Top Of Car - With Depressed Button, And RKB Key Switch 2P-R1 (1)N.O. (1)N.C. Contact, Key-1612
 List Price: \$185.00

SW19-0003N



Switch, Type "CTE-3" Emergency Exit, Top Of Car - With Depressed Button, And RKB Key Switch 2P-R1 (1)N.O. (1)N.C. Contact, Medeco Key # Ins
 List Price: \$222.00

SW19-0004N



Switch, Type "CTE-4" Emergency Exit, Top Of Car NYCHA - With Depressed Button, Water Resistant
 List Price: \$302.00

SW19-0005N



Switch, Type "CTE-5" Emergency Exit, Top Of Car - With Reset Button Compliant With ASME-A17.1-2000 Code
 List Price: \$111.00

Pit Switches

SIGNAL FIXTURE COMPONENTS

Push Button Modules

Modules With Plastic Cap

Illuminated - Incandescent Lamps



BUTTON STYLE SELECTION



SWB | SBW | SWW

RWB | RBW | RWW

Markings	Lamp	Contact	RWB	SWB	RBW	SBW	RWW	SWW
(Blank)	12V	2NO	PB1-0017N	PB1-0045N	PB1-0073N	PB1-0101N	PB1-0129N	PB1-0157N
(Blank)	24V	2NO	PB1-0018N	PB1-0046N	PB1-0074N	PB1-0102N	PB1-0130N	PB1-0158N
(Blank)	48V	2NO	PB1-0019N	PB1-0047N	PB1-0075N	PB1-0103N	PB1-0131N	PB1-0159N
(Blank)	120V	2NO	PB1-0020N	PB1-0048N	PB1-0076N	PB1-0104N	PB1-0132N	PB1-0160N
ALARM	6V	2NO	PB1-0027N	PB1-0055N			PB1-0139N	PB1-0167N
Arrow	12V	2NO	PB1-0022N	PB1-0050N	PB1-0078N	PB1-0106N	PB1-0134N	PB1-0162N
Arrow	24V	2NO	PB1-0023N	PB1-0051N	PB1-0079N	PB1-0107N	PB1-0135N	PB1-0163N
Arrow	48V	2NO	PB1-0024N	PB1-0052N	PB1-0080N	PB1-0108N	PB1-0136N	PB1-0164N
Arrow	120V	2NO	PB1-0025N	PB1-0053N	PB1-0081N	PB1-0109N	PB1-0137N	PB1-0165N
B	12V	2NO	PB1-0594N	PB1-0604N	PB1-0614N	PB1-0624N	PB1-0634N	PB1-0644N
B	24V	2NO	PB1-0595N	PB1-0605N	PB1-0615N	PB1-0625N	PB1-0635N	PB1-0645N
B	48V	2NO	PB1-0596N	PB1-0606N	PB1-0616N	PB1-0626N	PB1-0636N	PB1-0646N
B	120V	2NO	PB1-0597N	PB1-0607N	PB1-0617N	PB1-0627N	PB1-0637N	PB1-0647N
L	12V	2NO	PB1-0695N	PB1-0696N	PB1-0697N	PB1-0698N	PB1-0699N	PB1-0700N
L	24V	2NO	PB1-0701N	PB1-0702N	PB1-0703N	PB1-0704N	PB1-0705N	PB1-0706N
L	48V	2NO	PB1-0707N	PB1-0708N	PB1-0709N	PB1-0710N	PB1-0711N	PB1-0712N
L	120V	2NO	PB1-0713N	PB1-0714N	PB1-0715N	PB1-0716N	PB1-0717N	PB1-0718N
LL	12V	2NO	PB1-0725N	PB1-0726N	PB1-0727N	PB1-0728N	PB1-0729N	PB1-0730N
LL	24V	2NO	PB1-0731N	PB1-0732N	PB1-0733N	PB1-0734N	PB1-0735N	PB1-0736N
LL	48V	2NO	PB1-0737N	PB1-0738N	PB1-0739N	PB1-0740N	PB1-0741N	PB1-0742N
LL	120V	2NO	PB1-0743N	PB1-0744N	PB1-0745N	PB1-0746N	PB1-0747N	PB1-0748N
P	12V	2NO	PB1-0791N	PB1-0796N	PB1-0771N	PB1-0776N	PB1-0781N	PB1-0786N
P	24V	2NO	PB1-0792N	PB1-0797N	PB1-0772N	PB1-0777N	PB1-0782N	PB1-0787N
P	48V	2NO	PB1-0793N	PB1-0798N	PB1-0773N	PB1-0778N	PB1-0783N	PB1-0788N
P	120V	2NO	PB1-0794N	PB1-0799N	PB1-0774N	PB1-0779N	PB1-0784N	PB1-0789N
PH	12V	2NO	PB1-0599N	PB1-0609N	PB1-0619N	PB1-0629N	PB1-0639N	PB1-0649N
PH	24V	2NO	PB1-0600N	PB1-0610N	PB1-0620N	PB1-0630N	PB1-0640N	PB1-0650N
PH	48V	2NO	PB1-0601N	PB1-0611N	PB1-0621N	PB1-0631N	PB1-0641N	PB1-0651N
PH	120V	2NO	PB1-0602N	PB1-0612N	PB1-0622N	PB1-0632N	PB1-0642N	PB1-0652N
1	12V	2NO	PB1-0228N	PB1-0253N	PB1-0278N	PB1-0303N	PB1-0328N	PB1-0353N
1	24V	2NO	PB1-0229N	PB1-0254N	PB1-0279N	PB1-0304N	PB1-0329N	PB1-0354N
1	48V	2NO	PB1-0230N	PB1-0255N	PB1-0280N	PB1-0305N	PB1-0330N	PB1-0355N
1	120V	2NO	PB1-0231N	PB1-0256N	PB1-0281N	PB1-0306N	PB1-0331N	PB1-0356N
2	12V	2NO	PB1-0233N	PB1-0258N	PB1-0283N	PB1-0308N	PB1-0333N	PB1-0358N
2	24V	2NO	PB1-0234N	PB1-0259N	PB1-0284N	PB1-0309N	PB1-0334N	PB1-0359N
2	48V	2NO	PB1-0235N	PB1-0260N	PB1-0285N	PB1-0310N	PB1-0335N	PB1-0360N
2	120V	2NO	PB1-0236N	PB1-0261N	PB1-0286N	PB1-0311N	PB1-0336N	PB1-0361N
3	12V	2NO	PB1-0238N	PB1-0263N	PB1-0288N	PB1-0313N	PB1-0338N	PB1-0363N
3	24V	2NO	PB1-0239N	PB1-0264N	PB1-0289N	PB1-0314N	PB1-0339N	PB1-0364N
3	48V	2NO	PB1-0240N	PB1-0265N	PB1-0290N	PB1-0315N	PB1-0340N	PB1-0365N
3	120V	2NO	PB1-0241N	PB1-0266N	PB1-0291N	PB1-0316N	PB1-0341N	PB1-0366N
4	12V	2NO	PB1-0243N	PB1-0268N	PB1-0293N	PB1-0318N	PB1-0343N	PB1-0368N
4	24V	2NO	PB1-0244N	PB1-0269N	PB1-0294N	PB1-0319N	PB1-0344N	PB1-0369N
4	48V	2NO	PB1-0245N	PB1-0270N	PB1-0295N	PB1-0320N	PB1-0345N	PB1-0370N
4	120V	2NO	PB1-0246N	PB1-0271N	PB1-0296N	PB1-0321N	PB1-0346N	PB1-0371N

SIGNAL FIXTURE COMPONENTS

Push Button Modules

Modules With Plastic Cap

Illuminated - Incandescent Lamps

Markings	Lamp	Contact	RWB	SWB	RBW	SBW	RWW	SWW
5	12V	2NO	PB1-0248N	PB1-0273N	PB1-0298N	PB1-0323N	PB1-0348N	PB1-0373N
5	24V	2NO	PB1-0249N	PB1-0274N	PB1-0299N	PB1-0324N	PB1-0349N	PB1-0374N
5	48V	2NO	PB1-0250N	PB1-0275N	PB1-0300N	PB1-0325N	PB1-0350N	PB1-0375N
5	120V	2NO	PB1-0251N	PB1-0276N	PB1-0301N	PB1-0326N	PB1-0351N	PB1-0376N
6	12V	2NO	PB1-0378N	PB1-0413N	PB1-0448N	PB1-0483N	PB1-0518N	PB1-0553N
6	24V	2NO	PB1-0379N	PB1-0414N	PB1-0449N	PB1-0484N	PB1-0519N	PB1-0554N
6	48V	2NO	PB1-0380N	PB1-0415N	PB1-0450N	PB1-0485N	PB1-0520N	PB1-0555N
6	120V	2NO	PB1-0381N	PB1-0416N	PB1-0451N	PB1-0486N	PB1-0521N	PB1-0556N
7	12V	2NO	PB1-0383N	PB1-0418N	PB1-0453N	PB1-0488N	PB1-0523N	PB1-0558N
7	24V	2NO	PB1-0384N	PB1-0419N	PB1-0454N	PB1-0489N	PB1-0524N	PB1-0559N
7	48V	2NO	PB1-0385N	PB1-0420N	PB1-0455N	PB1-0490N	PB1-0525N	PB1-0560N
7	120V	2NO	PB1-0386N	PB1-0421N	PB1-0456N	PB1-0491N	PB1-0526N	PB1-0561N
8	12V	2NO	PB1-0388N	PB1-0423N	PB1-0458N	PB1-0493N	PB1-0528N	PB1-0563N
8	24V	2NO	PB1-0389N	PB1-0424N	PB1-0459N	PB1-0494N	PB1-0529N	PB1-0564N
8	48V	2NO	PB1-0390N	PB1-0425N	PB1-0460N	PB1-0495N	PB1-0530N	PB1-0565N
8	120V	2NO	PB1-0391N	PB1-0426N	PB1-0461N	PB1-0496N	PB1-0531N	PB1-0566N
9	12V	2NO	PB1-0393N	PB1-0428N	PB1-0463N	PB1-0498N	PB1-0533N	PB1-0568N
9	24V	2NO	PB1-0394N	PB1-0429N	PB1-0464N	PB1-0499N	PB1-0534N	PB1-0569N
9	48V	2NO	PB1-0395N	PB1-0430N	PB1-0465N	PB1-0500N	PB1-0535N	PB1-0570N
9	120V	2NO	PB1-0396N	PB1-0431N	PB1-0466N	PB1-0501N	PB1-0536N	PB1-0571N
10	12V	2NO	PB1-0398N	PB1-0433N	PB1-0468N	PB1-0503N	PB1-0538N	PB1-0573N
10	24V	2NO	PB1-0399N	PB1-0434N	PB1-0469N	PB1-0504N	PB1-0539N	PB1-0574N
10	48V	2NO	PB1-0400N	PB1-0435N	PB1-0470N	PB1-0505N	PB1-0540N	PB1-0575N
10	120V	2NO	PB1-0401N	PB1-0436N	PB1-0471N	PB1-0506N	PB1-0541N	PB1-0576N
11	12V	2NO	PB1-0403N	PB1-0438N	PB1-0473N	PB1-0508N	PB1-0543N	PB1-0578N
11	24V	2NO	PB1-0404N	PB1-0439N	PB1-0474N	PB1-0509N	PB1-0544N	PB1-0579N
11	48V	2NO	PB1-0405N	PB1-0440N	PB1-0475N	PB1-0510N	PB1-0545N	PB1-0580N
11	120V	2NO	PB1-0406N	PB1-0441N	PB1-0476N	PB1-0511N	PB1-0546N	PB1-0581N
12	12V	2NO	PB1-0408N	PB1-0443N	PB1-0478N	PB1-0513N	PB1-0548N	PB1-0583N
12	24V	2NO	PB1-0409N	PB1-0444N	PB1-0479N	PB1-0514N	PB1-0549N	PB1-0584N
12	48V	2NO	PB1-0410N	PB1-0445N	PB1-0480N	PB1-0515N	PB1-0550N	PB1-0585N
12	120V	2NO	PB1-0411N	PB1-0446N	PB1-0481N	PB1-0516N	PB1-0551N	PB1-0586N

Push Button
Modules

Illuminated - Neon Lamps

Markings	Lamp	Contact	RWB	SWB	RBW	SBW	RWW	SWW
(Blank)	120V	2NO	PB1-0021N	PB1-0049N	PB1-0077N	PB1-0105N	PB1-0133N	PB1-0161N
Arrow	120V	2NO	PB1-0026N	PB1-0054N	PB1-0082N	PB1-0110N	PB1-0138N	PB1-0166N
B	120V	2NO	PB1-0598N	PB1-0608N	PB1-0618N	PB1-0628N	PB1-0638N	PB1-0648N
L	120V	2NO	PB1-0719N	PB1-0720N	PB1-0721N	PB1-0722N	PB1-0723N	PB1-0724N
LL	120V	2NO	PB1-0749N	PB1-0750N	PB1-0751N	PB1-0752N	PB1-0753N	PB1-0754N
P	120V	2NO	PB1-0795N	PB1-0800N	PB1-0775N	PB1-0780N	PB1-0785N	PB1-0790N
PH	120V	2NO	PB1-0603N	PB1-0613N	PB1-0623N	PB1-0633N	PB1-0643N	PB1-0653N
TEST	120V	2NC	PB1-0028N	PB1-0056N	PB1-0084N	PB1-0112N	PB1-0140N	PB1-0168N
1	120V	2NO	PB1-0232N	PB1-0257N	PB1-0282N	PB1-0307N	PB1-0332N	PB1-0357N
2	120V	2NO	PB1-0237N	PB1-0262N	PB1-0287N	PB1-0312N	PB1-0337N	PB1-0362N
3	120V	2NO	PB1-0242N	PB1-0267N	PB1-0292N	PB1-0317N	PB1-0342N	PB1-0367N
4	120V	2NO	PB1-0247N	PB1-0272N	PB1-0297N	PB1-0322N	PB1-0347N	PB1-0372N
5	120V	2NO	PB1-0252N	PB1-0277N	PB1-0302N	PB1-0327N	PB1-0352N	PB1-0377N
6	120V	2NO	PB1-0382N	PB1-0417N	PB1-0452N	PB1-0487N	PB1-0522N	PB1-0557N
7	120V	2NO	PB1-0387N	PB1-0422N	PB1-0457N	PB1-0492N	PB1-0527N	PB1-0562N
8	120V	2NO	PB1-0392N	PB1-0427N	PB1-0462N	PB1-0497N	PB1-0532N	PB1-0567N
9	120V	2NO	PB1-0397N	PB1-0432N	PB1-0467N	PB1-0502N	PB1-0537N	PB1-0572N
10	120V	2NO	PB1-0402N	PB1-0437N	PB1-0472N	PB1-0507N	PB1-0542N	PB1-0577N
11	120V	2NO	PB1-0407N	PB1-0442N	PB1-0477N	PB1-0512N	PB1-0547N	PB1-0582N
12	120V	2NO	PB1-0412N	PB1-0447N	PB1-0482N	PB1-0517N	PB1-0552N	PB1-0587N

SIGNAL FIXTURE COMPONENTS

Push Button Modules

Modules With Plastic Cap

Non-Illuminated



BUTTON STYLE SELECTION



SWB | SBW | SWW

RWB | RBW | RWW

Markings	Contact	RWB	SWB	RBW	SBW	RWW	SWW
(Blank)	2NO	PB1-0001N	PB1-0029N	PB1-0057N	PB1-0085N	PB1-0113N	PB1-0141N
CALL	2NO	PB1-0588N	PB1-0589N	PB1-0590N	PB1-0591N	PB1-0592N	PB1-0593N
CALL CANCEL	1NO-1NC	PB1-0011N	PB1-0039N	PB1-0067N	PB1-0095N	PB1-0123N	PB1-0151N
DN	1NO-1NC	PB1-0014N	PB1-0042N	PB1-0070N	PB1-0098N	PB1-0126N	PB1-0154N
DOOR CLOSE	1NO-1NC	PB1-0003N	PB1-0031N	PB1-0059N	PB1-0087N	PB1-0115N	PB1-0143N
DOOR HOLD OPEN	1NO-1NC	PB1-0005N	PB1-0033N	PB1-0061N	PB1-0089N	PB1-0117N	PB1-0145N
DOOR OPEN	1NO-1NC	PB1-0002N	PB1-0030N	PB1-0058N	PB1-0086N	PB1-0114N	PB1-0142N
DOOR STOP	1NO-1NC	PB1-0004N	PB1-0032N	PB1-0060N	PB1-0088N	PB1-0116N	PB1-0144N
ENABLE	2NO	PB1-0689N	PB1-0690N	PB1-0691N	PB1-0692N	PB1-0693N	PB1-0694N
FRONT DOOR CLOSE	1NO-1NC	PB1-0007N	PB1-0035N	PB1-0063N	PB1-0091N	PB1-0119N	PB1-0147N
FRONT DOOR OPEN	1NO-1NC	PB1-0006N	PB1-0034N	PB1-0062N	PB1-0090N	PB1-0118N	PB1-0146N
NON STOP	1NO-1NC	PB1-0010N	PB1-0038N	PB1-0066N	PB1-0094N	PB1-0122N	PB1-0150N
PUSH FOR HELP	2NO	PB1-0755N	PB1-0756N	PB1-0757N	PB1-0758N	PB1-0759N	PB1-0760N
PUSH TO CALL	2NO	PB1-0015N	PB1-0043N	PB1-0071N	PB1-0099N	PB1-0127N	PB1-0155N
PUSH TO TALK	2NO	PB1-0016N	PB1-0044N	PB1-0072N	PB1-0100N	PB1-0128N	PB1-0156N
REAR DOOR CLOSE	1NO-1NC	PB1-0009N	PB1-0037N	PB1-0065N	PB1-0093N	PB1-0121N	PB1-0149N
REAR DOOR OPEN	1NO-1NC	PB1-0008N	PB1-0036N	PB1-0064N	PB1-0092N	PB1-0120N	PB1-0148N
RESET	1NO-1NC	PB1-0012N	PB1-0040N	PB1-0068N	PB1-0096N	PB1-0124N	PB1-0152N
UP	1NO-1NC	PB1-0013N	PB1-0041N	PB1-0069N	PB1-0097N	PB1-0125N	PB1-0153N

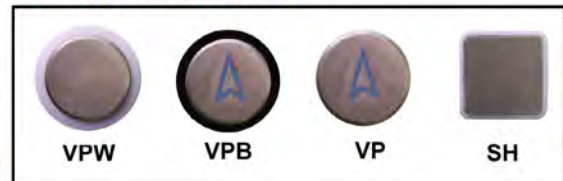
Push Button Modules

Modules With Metal Cap

Illuminated - Incandescent Lamps



BUTTON STYLE SELECTION



VPW | VPB

VP

SH

Markings	Lamp	Contact	VPW St Stl	VPW Mtz	VPB St Stl	VPB Mtz	VP St Stl	VP Mtz	SH St Stl	SH Mtz
(Blank)	12V	2NO	PB2-1350N	PB2-1355N					PB2-0017N	PB2-0045N
(Blank)	24V	2NO	PB2-1351N	PB2-1356N					PB2-0018N	PB2-0046N
(Blank)	48V	2NO	PB2-1352N	PB2-1357N					PB2-0019N	PB2-0047N
(Blank)	120V	2NO	PB2-1353N	PB2-1358N					PB2-0020N	PB2-0048N
ALARM	6V	2NO	PB2-0139N	PB2-0167N	PB2-0195N	PB2-0223N	PB2-0083N	PB2-0111N	PB2-0027N	PB2-0055N
Arrow	12V	2NO	PB2-0134N	PB2-0162N	PB2-0190N	PB2-0218N	PB2-0078N	PB2-0106N	PB2-0022N	PB2-0050N
Arrow	24V	2NO	PB2-0135N	PB2-0163N	PB2-0191N	PB2-0219N	PB2-0079N	PB2-0107N	PB2-0023N	PB2-0051N
Arrow	48V	2NO	PB2-0136N	PB2-0164N	PB2-0192N	PB2-0220N	PB2-0080N	PB2-0108N	PB2-0024N	PB2-0052N
Arrow	120V	2NO	PB2-0137N	PB2-0165N	PB2-0193N	PB2-0221N	PB2-0081N	PB2-0109N	PB2-0025N	PB2-0053N
B	12V	2NO	PB2-0613N	PB2-0627N	PB2-0641N	PB2-0655N	PB2-0585N	PB2-0599N	PB2-0673N	PB2-0698N

SIGNAL FIXTURE COMPONENTS

Push Button Modules

Modules With Metal Cap

Illuminated - Incandescent Lamps

Markings	Lamp	Contact	VPW St Stl	VPW Mtz	VPB St Stl	VPB Mtz	VP St Stl	VP Mtz	SH St Stl	SH Mtz
B	24V	2NO	PB2-0763N	PB2-0783N	PB2-0803N	PB2-0823N	PB2-0723N	PB2-0743N	PB2-0674N	PB2-0699N
B	48V	2NO	PB2-0764N	PB2-0784N	PB2-0804N	PB2-0824N	PB2-0724N	PB2-0744N	PB2-0675N	PB2-0700N
B	120V	2NO	PB2-0765N	PB2-0785N	PB2-0805N	PB2-0825N	PB2-0725N	PB2-0745N	PB2-0676N	PB2-0701N
P	12V	2NO	PB2-0614N	PB2-0628N	PB2-0642N	PB2-0656N	PB2-0586N	PB2-0600N	PB2-0678N	PB2-0703N
P	24V	2NO	PB2-0767N	PB2-0787N	PB2-0807N	PB2-0827N	PB2-0727N	PB2-0747N	PB2-0679N	PB2-0704N
P	48V	2NO	PB2-0768N	PB2-0788N	PB2-0808N	PB2-0828N	PB2-0728N	PB2-0748N	PB2-0680N	PB2-0705N
P	120V	2NO	PB2-0769N	PB2-0789N	PB2-0809N	PB2-0829N	PB2-0729N	PB2-0749N	PB2-0681N	PB2-0706N
1	12V	2NO	PB2-0601N	PB2-0615N	PB2-0629N	PB2-0643N	PB2-0573N	PB2-0587N	PB2-0683N	PB2-0708N
1	24V	2NO	PB2-0771N	PB2-0791N	PB2-0811N	PB2-0831N	PB2-0731N	PB2-0751N	PB2-0684N	PB2-0709N
1	48V	2NO	PB2-0772N	PB2-0792N	PB2-0812N	PB2-0832N	PB2-0732N	PB2-0752N	PB2-0685N	PB2-0710N
1	120V	2NO	PB2-0773N	PB2-0793N	PB2-0813N	PB2-0833N	PB2-0733N	PB2-0753N	PB2-0686N	PB2-0711N
2	12V	2NO	PB2-0602N	PB2-0616N	PB2-0630N	PB2-0644N	PB2-0574N	PB2-0588N	PB2-0688N	PB2-0713N
2	24V	2NO	PB2-0775N	PB2-0795N	PB2-0815N	PB2-0835N	PB2-0735N	PB2-0755N	PB2-0689N	PB2-0714N
2	48V	2NO	PB2-0776N	PB2-0796N	PB2-0816N	PB2-0836N	PB2-0736N	PB2-0756N	PB2-0690N	PB2-0715N
2	120V	2NO	PB2-0777N	PB2-0797N	PB2-0817N	PB2-0837N	PB2-0737N	PB2-0757N	PB2-0691N	PB2-0716N
3	12V	2NO	PB2-0603N	PB2-0617N	PB2-0631N	PB2-0645N	PB2-0575N	PB2-0589N	PB2-0693N	PB2-0718N
3	24V	2NO	PB2-0779N	PB2-0799N	PB2-0819N	PB2-0839N	PB2-0739N	PB2-0759N	PB2-0694N	PB2-0719N
3	48V	2NO	PB2-0780N	PB2-0800N	PB2-0820N	PB2-0840N	PB2-0740N	PB2-0760N	PB2-0695N	PB2-0720N
3	120V	2NO	PB2-0781N	PB2-0801N	PB2-0821N	PB2-0841N	PB2-0741N	PB2-0761N	PB2-0696N	PB2-0721N
4	12V	2NO	PB2-0604N	PB2-0618N	PB2-0632N	PB2-0646N	PB2-0576N	PB2-0590N	PB2-1059N	PB2-1104N
4	24V	2NO	PB2-0899N	PB2-0927N	PB2-0955N	PB2-0983N	PB2-0843N	PB2-0871N	PB2-1060N	PB2-1105N
4	48V	2NO	PB2-0900N	PB2-0928N	PB2-0956N	PB2-0984N	PB2-0844N	PB2-0872N	PB2-1061N	PB2-1106N
4	120V	2NO	PB2-0901N	PB2-0929N	PB2-0957N	PB2-0985N	PB2-0845N	PB2-0873N	PB2-1062N	PB2-1107N
5	12V	2NO	PB2-0605N	PB2-0619N	PB2-0633N	PB2-0647N	PB2-0577N	PB2-0591N	PB2-1064N	PB2-1109N
5	24V	2NO	PB2-0903N	PB2-0931N	PB2-0959N	PB2-0987N	PB2-0847N	PB2-0875N	PB2-1065N	PB2-1110N
5	48V	2NO	PB2-0904N	PB2-0932N	PB2-0960N	PB2-0988N	PB2-0848N	PB2-0876N	PB2-1066N	PB2-1111N
5	120V	2NO	PB2-0905N	PB2-0933N	PB2-0961N	PB2-0989N	PB2-0849N	PB2-0877N	PB2-1067N	PB2-1112N
6	12V	2NO	PB2-0606N	PB2-0620N	PB2-0634N	PB2-0648N	PB2-0578N	PB2-0592N	PB2-1069N	PB2-1114N
6	24V	2NO	PB2-0907N	PB2-0935N	PB2-0963N	PB2-0991N	PB2-0851N	PB2-0879N	PB2-1070N	PB2-1115N
6	48V	2NO	PB2-0908N	PB2-0936N	PB2-0964N	PB2-0992N	PB2-0852N	PB2-0880N	PB2-1071N	PB2-1116N
6	120V	2NO	PB2-0909N	PB2-0937N	PB2-0965N	PB2-0993N	PB2-0853N	PB2-0881N	PB2-1072N	PB2-1117N
7	12V	2NO	PB2-0607N	PB2-0621N	PB2-0635N	PB2-0649N	PB2-0579N	PB2-0593N	PB2-1074N	PB2-1119N
7	24V	2NO	PB2-0911N	PB2-0939N	PB2-0967N	PB2-0995N	PB2-0855N	PB2-0883N	PB2-1075N	PB2-1120N
7	48V	2NO	PB2-0912N	PB2-0940N	PB2-0968N	PB2-0996N	PB2-0856N	PB2-0884N	PB2-1076N	PB2-1121N
7	120V	2NO	PB2-0913N	PB2-0941N	PB2-0969N	PB2-0997N	PB2-0857N	PB2-0885N	PB2-1077N	PB2-1122N
8	12V	2NO	PB2-0608N	PB2-0622N	PB2-0636N	PB2-0650N	PB2-0580N	PB2-0594N	PB2-1079N	PB2-1124N
8	24V	2NO	PB2-0915N	PB2-0943N	PB2-0971N	PB2-0999N	PB2-0859N	PB2-0887N	PB2-1080N	PB2-1125N
8	48V	2NO	PB2-0916N	PB2-0944N	PB2-0972N	PB2-1000N	PB2-0860N	PB2-0888N	PB2-1081N	PB2-1126N
8	120V	2NO	PB2-0917N	PB2-0945N	PB2-0973N	PB2-1001N	PB2-0861N	PB2-0889N	PB2-1082N	PB2-1127N
9	12V	2NO	PB2-0609N	PB2-0623N	PB2-0637N	PB2-0651N	PB2-0581N	PB2-0595N	PB2-1084N	PB2-1129N
9	24V	2NO	PB2-0919N	PB2-0947N	PB2-0975N	PB2-1003N	PB2-0863N	PB2-0891N	PB2-1085N	PB2-1130N
9	48V	2NO	PB2-0920N	PB2-0948N	PB2-0976N	PB2-1004N	PB2-0864N	PB2-0892N	PB2-1086N	PB2-1131N
9	120V	2NO	PB2-0921N	PB2-0949N	PB2-0977N	PB2-1005N	PB2-0865N	PB2-0893N	PB2-1087N	PB2-1132N
10	12V	2NO	PB2-0610N	PB2-0624N	PB2-0638N	PB2-0652N	PB2-0582N	PB2-0596N	PB2-1089N	PB2-1134N
10	24V	2NO	PB2-0923N	PB2-0951N	PB2-0979N	PB2-1007N	PB2-0867N	PB2-0895N	PB2-1090N	PB2-1135N
10	48V	2NO	PB2-0924N	PB2-0952N	PB2-0980N	PB2-1008N	PB2-0868N	PB2-0896N	PB2-1091N	PB2-1136N
10	120V	2NO	PB2-0925N	PB2-0953N	PB2-0981N	PB2-1009N	PB2-0869N	PB2-0897N	PB2-1092N	PB2-1137N
11	12V	2NO	PB2-0611N	PB2-0625N	PB2-0639N	PB2-0653N	PB2-0583N	PB2-0597N	PB2-1094N	PB2-1139N
11	24V	2NO	PB2-1027N	PB2-1035N	PB2-1043N	PB2-1051N	PB2-1011N	PB2-1019N	PB2-1095N	PB2-1140N
11	48V	2NO	PB2-1028N	PB2-1036N	PB2-1044N	PB2-1052N	PB2-1012N	PB2-1020N	PB2-1096N	PB2-1141N
11	120V	2NO	PB2-1029N	PB2-1037N	PB2-1045N	PB2-1053N	PB2-1013N	PB2-1021N	PB2-1097N	PB2-1142N
12	12V	2NO	PB2-0612N	PB2-0626N	PB2-0640N	PB2-0654N	PB2-0584N	PB2-0598N	PB2-1099N	PB2-1144N
12	24V	2NO	PB2-1031N	PB2-1039N	PB2-1047N	PB2-1055N	PB2-1015N	PB2-1023N	PB2-1100N	PB2-1145N
12	48V	2NO	PB2-1032N	PB2-1040N	PB2-1048N	PB2-1056N	PB2-1016N	PB2-1024N	PB2-1101N	PB2-1146N
12	120V	2NO	PB2-1033N	PB2-1041N	PB2-1049N	PB2-1057N	PB2-1017N	PB2-1025N	PB2-1102N	PB2-1147N

Push Button
Modules

SIGNAL FIXTURE COMPONENTS

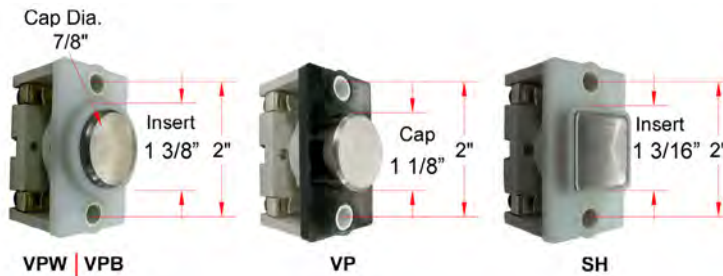
Push Button Modules

Modules With Metal Cap

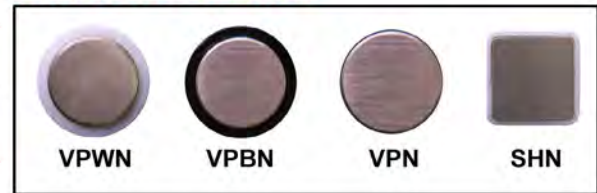
Illuminated - Neon Lamps

Markings	Lamp	Contact	VPW St Stl	VPW Mtz	VPB St Stl	VPB Mtz	VP St Stl	VP Mtz	SH St Stl	SH Mtz
(Blank)	120V	2NO	PB2-1354N	PB2-1359N					PB2-0021N	PB2-0049N
Arrow	120V	2NO	PB2-0138N	PB2-0166N	PB2-0194N	PB2-0222N	PB2-0082N	PB2-0110N	PB2-0026N	PB2-0054N
B	120V	2NO	PB2-0766N	PB2-0786N	PB2-0806N	PB2-0826N	PB2-0726N	PB2-0746N	PB2-0677N	PB2-0702N
P	120V	2NO	PB2-0770N	PB2-0790N	PB2-0810N	PB2-0830N	PB2-0730N	PB2-0750N	PB2-0682N	PB2-0707N
EL TEST	120V	2NC	PB2-0140N	PB2-0168N	PB2-0196N	PB2-0224N	PB2-0084N	PB2-0112N	PB2-0028N	PB2-0056N
1	120V	2NO	PB2-0774N	PB2-0794N	PB2-0814N	PB2-0834N	PB2-0734N	PB2-0754N	PB2-0687N	PB2-0712N
2	120V	2NO	PB2-0778N	PB2-0798N	PB2-0818N	PB2-0838N	PB2-0738N	PB2-0758N	PB2-0692N	PB2-0717N
3	120V	2NO	PB2-0782N	PB2-0802N	PB2-0822N	PB2-0842N	PB2-0742N	PB2-0762N	PB2-0697N	PB2-0722N
4	120V	2NO	PB2-0902N	PB2-0930N	PB2-0958N	PB2-0986N	PB2-0846N	PB2-0874N	PB2-1063N	PB2-1108N
5	120V	2NO	PB2-0906N	PB2-0934N	PB2-0962N	PB2-0990N	PB2-0850N	PB2-0878N	PB2-1068N	PB2-1113N
6	120V	2NO	PB2-0910N	PB2-0938N	PB2-0966N	PB2-0994N	PB2-0854N	PB2-0882N	PB2-1073N	PB2-1118N
7	120V	2NO	PB2-0914N	PB2-0942N	PB2-0970N	PB2-0998N	PB2-0858N	PB2-0886N	PB2-1078N	PB2-1123N
8	120V	2NO	PB2-0918N	PB2-0946N	PB2-0974N	PB2-1002N	PB2-0862N	PB2-0890N	PB2-1083N	PB2-1128N
9	120V	2NO	PB2-0922N	PB2-0950N	PB2-0978N	PB2-1006N	PB2-0866N	PB2-0894N	PB2-1088N	PB2-1133N
10	120V	2NO	PB2-0926N	PB2-0954N	PB2-0982N	PB2-1010N	PB2-0870N	PB2-0898N	PB2-1093N	PB2-1138N
11	120V	2NO	PB2-1030N	PB2-1038N	PB2-1046N	PB2-1054N	PB2-1014N	PB2-1022N	PB2-1098N	PB2-1143N
12	120V	2NO	PB2-1034N	PB2-1042N	PB2-1050N	PB2-1058N	PB2-1018N	PB2-1026N	PB2-1103N	PB2-1148N

Non-Illuminated



BUTTON STYLE SELECTION



Markings	Contact	VPWN St Stl	VPWN Mtz	VPBN St Stl	VPBN Mtz	VPN St Stl	VPN Mtz	SHN St Stl	SHN Mtz
(Blank)	2NO	PB2-0113N	PB2-0141N	PB2-0169N	PB2-0197N	PB2-0057N	PB2-0085N	PB2-0001N	PB2-0029N
Arrow	2NO	PB2-0502N	PB2-0520N	PB2-0538N	PB2-0556N	PB2-0466N	PB2-0484N		
1	1NO-1NC	PB2-0507N	PB2-0525N	PB2-0543N	PB2-0561N	PB2-0471N	PB2-0489N	PB2-0441N	PB2-0453N
2	1NO-1NC	PB2-0508N	PB2-0526N	PB2-0544N	PB2-0562N	PB2-0472N	PB2-0490N	PB2-0442N	PB2-0454N
3	1NO-1NC	PB2-0509N	PB2-0527N	PB2-0545N	PB2-0563N	PB2-0473N	PB2-0491N	PB2-0443N	PB2-0455N
4	1NO-1NC	PB2-0510N	PB2-0528N	PB2-0546N	PB2-0564N	PB2-0474N	PB2-0492N	PB2-0444N	PB2-0456N
5	1NO-1NC	PB2-0511N	PB2-0529N	PB2-0547N	PB2-0565N	PB2-0475N	PB2-0493N	PB2-0445N	PB2-0457N
6	1NO-1NC	PB2-0512N	PB2-0530N	PB2-0548N	PB2-0566N	PB2-0476N	PB2-0494N	PB2-0446N	PB2-0458N
7	1NO-1NC	PB2-0513N	PB2-0531N	PB2-0549N	PB2-0567N	PB2-0477N	PB2-0495N	PB2-0447N	PB2-0459N
8	1NO-1NC	PB2-0514N	PB2-0532N	PB2-0550N	PB2-0568N	PB2-0478N	PB2-0496N	PB2-0448N	PB2-0460N
9	1NO-1NC	PB2-0515N	PB2-0533N	PB2-0551N	PB2-0569N	PB2-0479N	PB2-0497N	PB2-0449N	PB2-0461N
10	1NO-1NC	PB2-0516N	PB2-0534N	PB2-0552N	PB2-0570N	PB2-0480N	PB2-0498N	PB2-0450N	PB2-0462N
11	1NO-1NC	PB2-0517N	PB2-0535N	PB2-0553N	PB2-0571N	PB2-0481N	PB2-0499N	PB2-0451N	PB2-0463N
12	1NO-1NC	PB2-0518N	PB2-0536N	PB2-0554N	PB2-0572N	PB2-0482N	PB2-0500N	PB2-0452N	PB2-0464N
B	1NO-1NC	PB2-0505N	PB2-0523N	PB2-0541N	PB2-0559N	PB2-0469N	PB2-0487N	PB2-0439N	PB2-0434N
CALL	1NO-1NC	PB2-0665N	PB2-0667N	PB2-0669N	PB2-0671N	PB2-0661N	PB2-0663N	PB2-0657N	PB2-0659N
CALL CANCEL	1NO-1NC	PB2-0123N	PB2-0151N	PB2-0179N	PB2-0207N	PB2-0067N	PB2-0095N	PB2-0011N	PB2-0039N
DN	1NO-1NC	PB2-0126N	PB2-0154N	PB2-0182N	PB2-0210N	PB2-0070N	PB2-0098N	PB2-0014N	PB2-0042N
DOOR CLOSE	1NO-1NC	PB2-0115N	PB2-0143N	PB2-0171N	PB2-0199N	PB2-0059N	PB2-0087N	PB2-0003N	PB2-0031N
DOOR HOLD	1NO-1NC	PB2-0504N	PB2-0522N	PB2-0540N	PB2-0558N	PB2-0468N	PB2-0089N	PB2-0438N	PB2-0433N
DOOR HOLD OPEN	1NO-1NC	PB2-0117N	PB2-0145N	PB2-0173N	PB2-0201N	PB2-0061N	PB2-0486N	PB2-0005N	PB2-0033N
DOOR OPEN	1NO-1NC	PB2-0114N	PB2-0142N	PB2-0170N	PB2-0198N	PB2-0058N	PB2-0086N	PB2-0002N	PB2-0030N
DOOR STOP	1NO-1NC	PB2-0116N	PB2-0144N	PB2-0172N	PB2-0200N	PB2-0060N	PB2-0088N	PB2-0004N	PB2-0032N

Push Button Modules

SIGNAL FIXTURE COMPONENTS

Push Button Modules

Modules With Metal Cap

Non-Illuminated

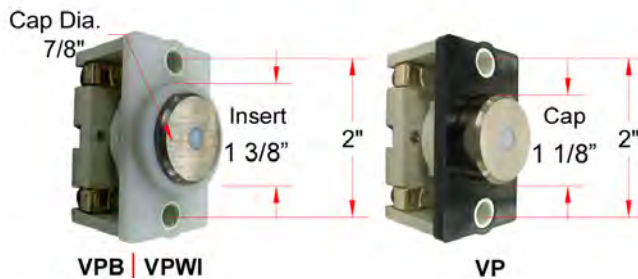
Markings	Contact	VPWN St Stl	VPWN Mtz	VPBN St Stl	VPBN Mtz	VPN St Stl	VPN Mtz	SHN St Stl	SHN Mtz
EL. TEST	2NC	PB2-0503N	PB2-0521N				PB2-0485N	PB2-0437N	PB2-0432N
FRONT DOOR CLOSE	1NO-1NC	PB2-0119N	PB2-0147N	PB2-0175N	PB2-0203N	PB2-0063N	PB2-0091N	PB2-0007N	PB2-0035N
FRONT DOOR OPEN	1NO-1NC	PB2-0118N	PB2-0146N	PB2-0174N	PB2-0202N	PB2-0062N	PB2-0090N	PB2-0006N	PB2-0034N
NON STOP	1NO-1NC	PB2-0122N	PB2-0150N	PB2-0178N	PB2-0206N	PB2-0066N	PB2-0094N	PB2-0010N	PB2-0038N
P	1NO-1NC	PB2-0506N	PB2-0524N	PB2-0542N	PB2-0560N	PB2-0470N	PB2-0488N	PB2-0440N	PB2-0435N
PUSH FOR HELP	2NO	PB2-0501N	PB2-0519N	PB2-0537N	PB2-0555N	PB2-0465N	PB2-0483N	PB2-0436N	PB2-0431N
PUSH TO CALL	2NO	PB2-0127N	PB2-0155N	PB2-0183N	PB2-0211N	PB2-0071N	PB2-0099N	PB2-0015N	PB2-0043N
PUSH TO TALK	2NO	PB2-0128N	PB2-0156N	PB2-0184N	PB2-0212N	PB2-0072N	PB2-0100N	PB2-0016N	PB2-0044N
REAR DOOR CLOSE	1NO-1NC	PB2-0120N	PB2-0148N	PB2-0176N	PB2-0204N	PB2-0064N	PB2-0092N	PB2-0008N	PB2-0036N
REAR DOOR OPEN	1NO-1NC	PB2-0121N	PB2-0149N	PB2-0177N	PB2-0205N	PB2-0065N	PB2-0093N	PB2-0009N	PB2-0037N
RESET	1NO-1NC	PB2-0124N	PB2-0152N	PB2-0180N	PB2-0208N	PB2-0068N	PB2-0096N	PB2-0012N	PB2-0040N
STOP	1NO-1NC	PB2-0666N	PB2-0668N	PB2-0670N	PB2-0672N	PB2-0662N	PB2-0664N	PB2-0658N	PB2-0660N
TEST	2NC			PB2-0539N	PB2-0557N	PB2-0467N			
UP	1NO-1NC	PB2-0125N	PB2-0153N	PB2-0181N	PB2-0209N	PB2-0069N	PB2-0097N	PB2-0013N	PB2-0041N

Non-Illuminated (Water Resistant)

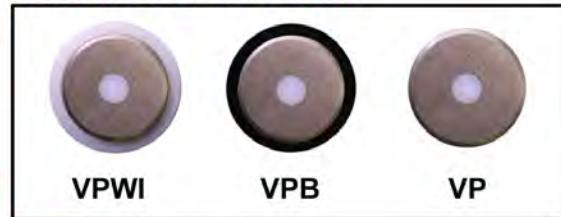
Markings	Contact	VPN-WP St Stl
(Blank)	2NO	PB3-0044N
DOOR CLOSE	1NO-1NC	PB2-1151N
DOOR OPEN	1NO-1NC	PB2-1150N

Illuminated - Jewel Light

Incandescent Lamps



BUTTON STYLE SELECTION



NOTE: Jewel Light Dia. 5/16"

Lamp	Contact	VPB St Stl	VPB Mtz	VP St Stl	VP Mtz	VPWI St Stl	VPWI Mtz
12V	2NO	PB2-0185N	PB2-0213N	PB2-0073N	PB2-0101N	PB2-0129N	PB2-0157N
24V	2NO	PB2-0186N	PB2-0214N	PB2-0074N	PB2-0102N	PB2-0130N	PB2-0158N
48V	2NO	PB2-0187N	PB2-0215N	PB2-0075N	PB2-0103N	PB2-0131N	PB2-0159N
120V	2NO	PB2-0188N	PB2-0216N	PB2-0076N	PB2-0104N	PB2-0132N	PB2-0160N

Neon Lamps

Lamp	Contact	VPB St Stl	VPB Mtz	VP St Stl	VP Mtz	VPWI St Stl	VPWI Mtz
120V	2NO	PB2-0189N	PB2-0217N	PB2-0077N	PB2-0105N	PB2-0133N	PB2-0161N

SIGNAL FIXTURE COMPONENTS

Push Button Modules

VPMC-11 Jewel Light Metal Modules



BUTTON STYLE SELECTION



Lamp	Contact	VPMC11 St Stl	VPMC11 Mtz	VPMC11H St Stl (NYC-HA)
6V Incand.	2NO	PB3-0016N	PB3-0022N	PB3-0028N
12V Incand.	2NO	PB3-0011N	PB3-0017N	PB3-0023N
24V Incand.	2NO	PB3-0012N	PB3-0018N	PB3-0024N
48V Incand.	2NO	PB3-0013N	PB3-0019N	PB3-0025N
120V Incand.	2NO	PB3-0014N	PB3-0020N	PB3-0026N
120V Neon	2NO	PB3-0015N	PB3-0021N	PB3-0027N
120V Neon	2NC	PB3-0029N	PB3-0030N	PB3-0031N
(Blank)	2NO	PB3-0007N	PB3-0008N	
(Blank)	1NO-1NC	PB3-0005N	PB3-0006N	
(Red Insert)	1NO-1NC	PB3-0009N	PB3-0010N	

SIGNAL FIXTURE COMPONENTS

Push Button Modules

VPMC-14 Extender Modules & Parts

PB3-0001N



Push Button, VPMC-14 2NO With 6-120V-LED For Extenders & Telephones, Muntz Finish-5/16 Nylon Insert
List Price: \$69.00

PB3-0002N



Push Button, VPMC-14 2NO With 6-120V-LED For Extenders & Telephones, Stainless Steel Finish-5/16 Nylon Insert
List Price: \$62.00

PB3-0039N



Base Assembly, VPMC-14 Button For 6-120V-LED Extenders & Telephones
List Price: \$47.00

PB3-0003N



Cap Assembly, VPMC-14 Button Used With LED For Extenders & Telephones, Muntz Finish-5/16 Nylon Insert
List Price: \$41.00

PB3-0004N



Cap Assembly, VPMC-14 Button Used With Led For Extenders & Telephones, Stainless Steel Finish-5/16 Nylon Insert
List Price: \$41.00

LED Printed Circuit Boards



DISCONTINUED

Part No LED-0005N: Board, LED Extender, All Voltage Driver For LED-0006N.

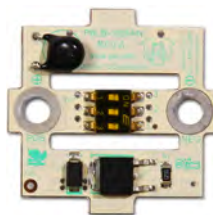
Note: If This Board Needs To Be Replaced For An Extender Push Button Module, Use PBLB-0006AN And Remove The LED-0006N.

LED-0006N



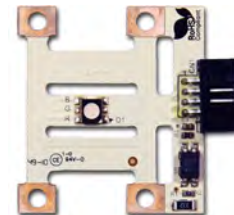
Board, 6-120V-LED Super-Red For O.S. Extender Push Button
List Price: \$9.40

PBLB-0006AN



Board, LED Universal, For Standard And Extender Push Button Modules, 6-120V AC/DC Multi-Color, Non-Spectral
List Price: \$42.00

GALX-1095AN



Board, LED Extender Push Button, For GALaxy Controller With RGB Multi-Color Spectral Light Input
List Price: \$64.00

Push Button Modules

SIGNAL FIXTURE COMPONENTS

Push Button Modules

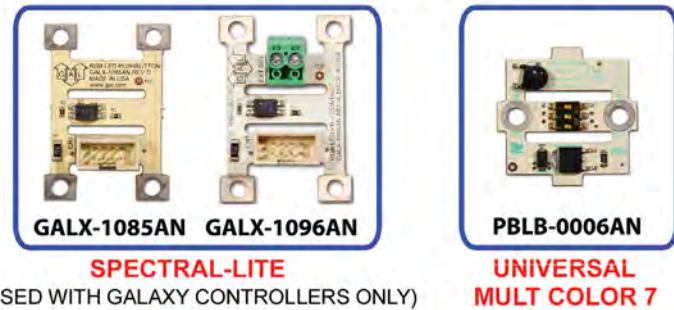
RA Series PB Modules With Metal Caps



AVAILABLE CAP STYLES



AVAILABLE LED BOARDS (SOLD SEPARATELY)



Note: All PB9 push button modules are LED compatible. LED light board is required, though sold *separately*.

Standard & California

Cap Style	Contact	St Stl Models	St Stl Part No	Mtz Models	Mtz Part No
Convex	1NO-1NC	RAS1	PB9-0041N	RAM1	PB9-0046N
Convex	2NO	RAS1	PB9-0001N	RAM1	PB9-0006N
Concave	2NO	RAS2	PB9-0002N	RAM2	PB9-0007N
Concave	1NO-1NC	RAS2	PB9-0042N	RAM2	PB9-0047N

Standard

Cap Style	Contact	St Stl Models	St Stl Part No	Mtz Models	Mtz Part No
2 Wave	2NO	RAS3	PB9-0003N	RAM3	PB9-0008N
2 Wave	1NO-1NC	RAS3	PB9-0043N	RAM3	PB9-0048N
4 Wave	1NO-1NC	RAS4	PB9-0044N	RAM4	PB9-0049N
4 Wave	2NO	RAS4	PB9-0004N	RAM4	PB9-0009N
Groove	1NO-1NC	RAS5	PB9-0045N	RAM5	PB9-0050N
Groove	2NO	RAS5	PB9-0005N	RAM5	PB9-0010N

California

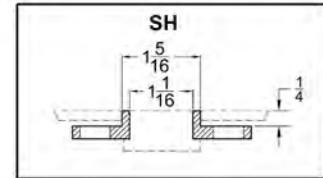
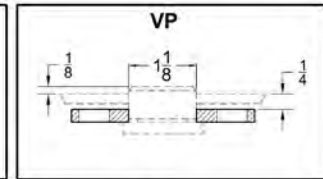
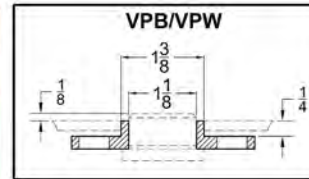
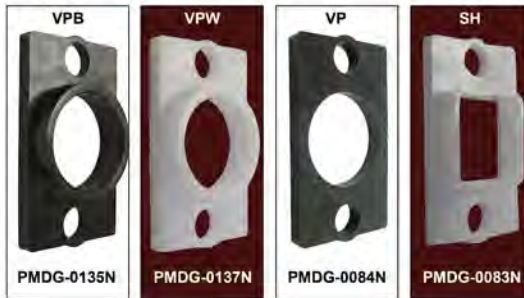
Note: California Type button protrudes 1/8" from surface of cover.

Cap Style	Contact	St Stl Models	St Stl Part No	Mtz Models	Mtz Part No
2 Wave	1NO-1NC	RAS3	PB9-0057N	RAM3	PB9-0060N
2 Wave	2NO	RAS3	PB9-0051N	RAM3	PB9-0054N
4 Wave	2NO	RAS4	PB9-0052N	RAM4	PB9-0055N
4 Wave	1NO-1NC	RAS4	PB9-0058N	RAM4	PB9-0061N
Groove	1NO-1NC	RAS5	PB9-0059N	RAM5	PB9-0062N
Groove	2NO	RAS5	PB9-0053N	RAM5	PB9-0056N

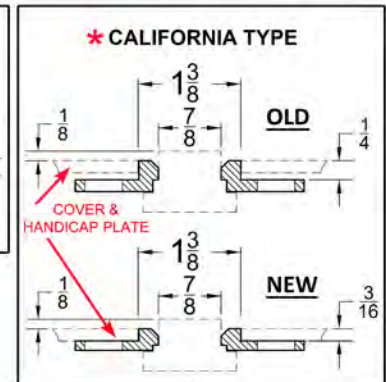
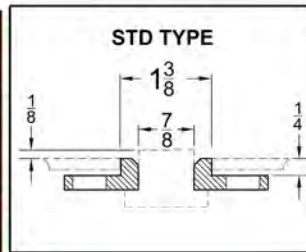
SIGNAL FIXTURE COMPONENTS

Push Button Inserts

PB1



PB2



STD TYPE:	PMDG-0066N	PMDG-0067N	PMDG-0072N	PMDG-0073N
CALIF. TYPE:				
(OLD)	PMDG-0070N	PMDG-0071N	PMDG-0076N	PMDG-0077N
(NEW)	PMDG-0159N	PMDG-0160N	PMDG-0161N	PMDG-0162N

NOTE:
*** CALIFORNIA TYPE INSERT**
Old Style: Used on 1/4" & 1/8" thick covers with permanent burned in handicap markings.
New Style: Used on 1/8" thick covers that use EDM (stud mounted), Flange Mounted (square) & Crescent style handicap plates.

Standard Type

Part No.	Model	Cap Dia	List Price
PMDG-0066N	RRB	7/8"	\$3.20
PMDG-0067N	RRW	7/8"	\$3.20
PMDG-0072N	SRB	7/8"	\$3.20
PMDG-0073N	SRW	7/8"	\$3.20
PMDG-0084N	VP	1 1/8"	\$3.20
PMDG-0135N	VPB	1 1/8"	\$3.20
PMDG-0137N	VPW	1 1/8"	\$3.20
PMDG-0083N	SH	1 1/16"	\$3.20

California Type

Part No.	Model	Cap Dia	List Price
PMDG-0070N	RRB	7/8"	\$3.20
PMDG-0071N	RRW	7/8"	\$3.20
PMDG-0076N	SRB	7/8"	\$3.20
PMDG-0077N	SRW	7/8"	\$3.20
PMDG-0159N	RRB	7/8"	\$3.20
PMDG-0160N	RRW	7/8"	\$3.20
PMDG-0161N	SRB	7/8"	\$3.20
PMDG-0162N	SRW	7/8"	\$3.20

SIGNAL FIXTURE COMPONENTS

Push-Pull Type Modules

Emergency Stop Switch Modules

Note: All emergency stop switch modules have a third set of contacts on the stem of the handle (cap) which may be N.O. or N.C. depending on the function of the switch.

Handle (Round Red Plastic) Marked: Push To Stop

Part No.	Model	Halo (Insert)	Contact Arrangement	List Price
PB4-0009H/V	RRB	Round Black	1NO-1NC	\$56.00
PB4-0010H/V	RRB	Round Black	2NO-1NC	\$56.00
PB4-0011H/V	RRB	Round Black	2NC-1NO	\$56.00
PB4-0012H/V	RRW	Round White	2NO-1NC	\$56.00
PB4-0013H/V	RRW	Round White	2NC-1NO	\$56.00
PB4-0014H/V	SRB	Square Black	2NO-1NC	\$56.00
PB4-0015H/V	SRB	Square Black	2NC-1NO	\$56.00
PB4-0016H/V	SRW	Square White	2NO-1NC	\$56.00
PB4-0017H/V	SRW	Square White	2NC-1NO	\$56.00

Horizontal Image Shown

PB4-0009H/V



PB4-0010H/V



PB4-0011H/V



PB4-0012H/V



PB4-0013H/V



PB4-0014H/V



PB4-0015H/V



PB4-0016H/V



PB4-0017H/V



Emergency Stop Switch Modules

SIGNAL FIXTURE COMPONENTS

Push-Pull Type Modules

Emergency Stop Switch Modules

Note: All emergency stop switch modules have a third set of contacts on the stem of the handle (cap) which may be N.O. or N.C. depending on the function of the switch.

Handle (Round Red Plastic) Marked: Pull To Stop

Part No.	Model	Halo (Insert)	Contact Arrangement	List Price
PB4-0001H/V	RRB	Round Black	2NO-1NC	\$56.00
PB4-0002H/V	RRB	Round Black	2NC-1NO	\$56.00
PB4-0003H/V	RRW	Round White	2NO-1NC	\$56.00
PB4-0004H/V	RRW	Round White	2NC-1NO	\$56.00
PB4-0005H/V	SRB	Square Black	2NO-1NC	\$56.00
PB4-0006H/V	SRB	Square Black	2NC-1NO	\$56.00
PB4-0007H/V	SRW	Square White	2NO-1NC	\$56.00
PB4-0008H/V	SRW	Square White	2NC-1NO	\$56.00

Horizontal Image Shown



Emergency Stop
Switch Modules

SIGNAL FIXTURE COMPONENTS

Push-Pull Type Modules

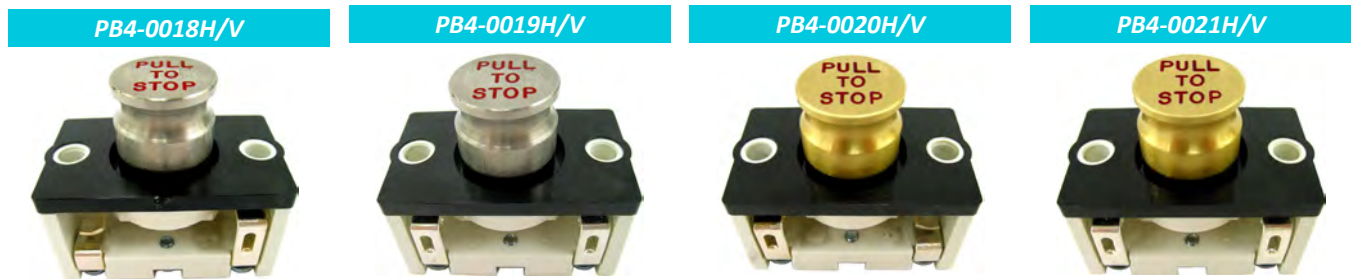
Emergency Stop Switch Modules (VP)

Note: All emergency stop switch modules have a third set of contacts on the stem of the handle (cap) which may be N.O. or N.C. depending on the function of the switch.

Handle (Round Metal) Marked: Pull To Stop

Part No.	Model	Handle (Cap)	Halo (Insert)	Contact Arrangement	List Price
PB4-0018H/V	VP	Stainless Steel	(None)	2NO-1NC	\$87.00
PB4-0019H/V	VP	Stainless Steel	(None)	2NC-1NO	\$87.00
PB4-0020H/V	VP	Muntz	(None)	2NO-1NC	\$87.00
PB4-0021H/V	VP	Muntz	(None)	2NC-1NO	\$87.00

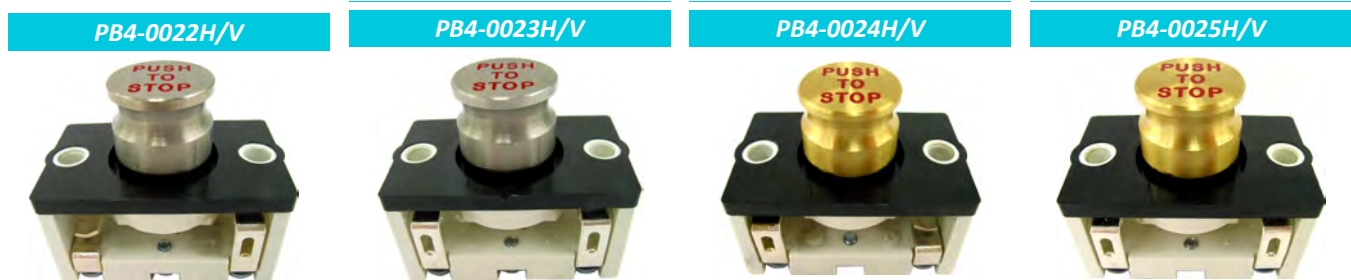
Horizontal Image Shown



Handle (Round Metal) Marked: Push To Stop

Part No.	Model	Handle (Cap)	Halo (Insert)	Contact Arrangement	List Price
PB4-0022H/V	VP	Stainless Steel	(None)	2NO-1NC	\$87.00
PB4-0023H/V	VP	Stainless Steel	(None)	2NC-1NO	\$87.00
PB4-0024H/V	VP	Muntz	(None)	2NO-1NC	\$87.00
PB4-0025H/V	VP	Muntz	(None)	2NC-1NO	\$87.00

Horizontal Image Shown



Emergency Stop Switch Modules

SIGNAL FIXTURE COMPONENTS

Push-Pull Type Modules

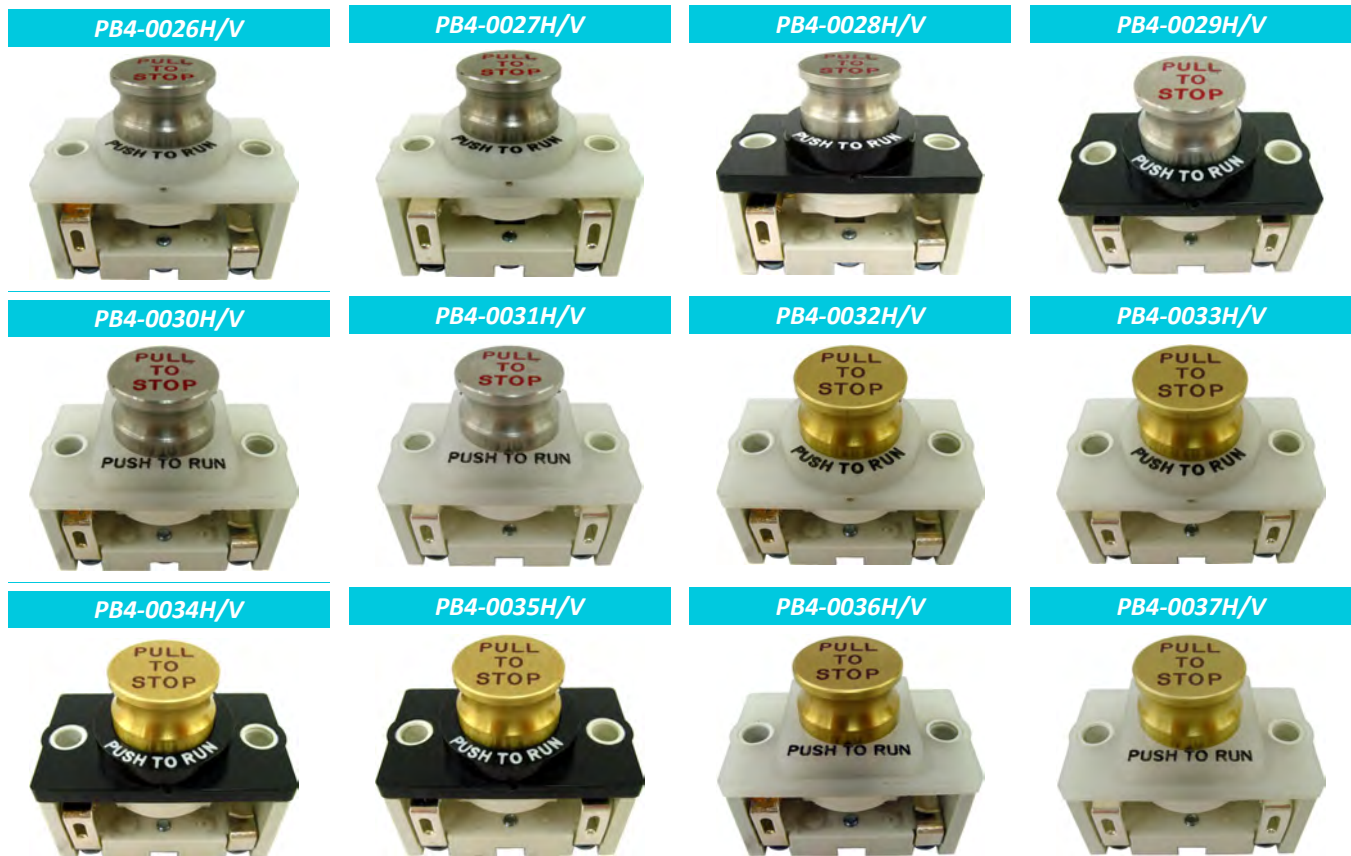
Emergency Stop Switch Modules (VP With Halo)

Note: All emergency stop switch modules have a third set of contacts on the stem of the handle (cap) which may be N.O. or N.C. depending on the function of the switch.

Handle (Round Metal) Marked: Pull To Stop

Part No.	Model	Handle (Cap)	Halo (Insert)	Contact Arrangement	List Price
PB4-0026H/V	VPW	Stainless Steel	Round White	2NO-1NC	\$87.00
PB4-0027H/V	VPW	Stainless Steel	Round White	2NC-1NO	\$87.00
PB4-0028H/V	VPB	Stainless Steel	Round Black	2NO-1NC	\$87.00
PB4-0029H/V	VPB	Stainless Steel	Round Black	2NC-1NO	\$87.00
PB4-0030H/V	SH	Stainless Steel	Square White	2NO-1NC	\$87.00
PB4-0031H/V	SH	Stainless Steel	Square White	2NC-1NO	\$87.00
PB4-0032H/V	VPW	Muntz	Round White	2NO-1NC	\$87.00
PB4-0033H/V	VPW	Muntz	Round White	2NC-1NO	\$87.00
PB4-0034H/V	VPB	Muntz	Round Black	2NO-1NC	\$87.00
PB4-0035H/V	VPB	Muntz	Round Black	2NC-1NO	\$87.00
PB4-0036H/V	SH	Muntz	Square White	2NO-1NC	\$87.00
PB4-0037H/V	SH	Muntz	Square White	2NC-1NO	\$87.00

Horizontal Image Shown



Emergency Stop Switch Modules

SIGNAL FIXTURE COMPONENTS

Push-Pull Type Modules

Emergency Stop Switch Modules (VP With Halo)

Note: All emergency stop switch modules have a third set of contacts on the stem of the handle (cap) which may be N.O. or N.C. depending on the function of the switch.

Handle (Round Metal) Marked: Push To Stop

Part No.	Model	Handle (Cap)	Halo (Insert)	Contact Arrangement	List Price
PB4-0038H/V	VPW	Stainless Steel	Round White	2NO-1NC	\$87.00
PB4-0039H/V	VPW	Stainless Steel	Round White	2NC-1NO	\$87.00
PB4-0040H/V	VPB	Stainless Steel	Round Black	2NO-1NC	\$87.00
PB4-0041H/V	VPB	Stainless Steel	Round Black	2NC-1NO	\$87.00
PB4-0042H/V	SH	Stainless Steel	Square White	2NO-1NC	\$87.00
PB4-0043H/V	SH	Stainless Steel	Square White	2NC-1NO	\$87.00
PB4-0044H/V	VPW	Muntz	Round White	2NO-1NC	\$87.00
PB4-0045H/V	VPW	Muntz	Round White	2NC-1NO	\$87.00
PB4-0046H/V	VPB	Muntz	Round Black	2NO-1NC	\$87.00
PB4-0047H/V	VPB	Muntz	Round Black	2NC-1NO	\$87.00
PB4-0048H/V	SH	Muntz	Square White	2NO-1NC	\$87.00
PB4-0049H/V	SH	Muntz	Square White	2NC-1NO	\$87.00

Horizontal Image Shown

Emergency Stop Switch Modules

PB4-0038H/V



PB4-0039H/V



PB4-0040H/V



PB4-0041H/V



PB4-0042H/V



PB4-0043H/V



PB4-0044H/V



PB4-0045H/V



PB4-0046H/V



PB4-0047H/V



PB4-0048H/V



PB4-0049H/V



SIGNAL FIXTURE COMPONENTS

Push-Pull Type Modules

Emergency Stop Switch Modules (Water Resistant)

Handle (Round Metal) Marked: Push To Stop



Note: All emergency stop switch modules have a third set of contacts on the stem of the handle (cap) which may be N.O. or N.C. depending on the function of the switch.

Part No.	Model	Halo (Insert)	Contact Arrangement	List Price
PB4-0079H/V	RRB-W	Round Black	2NC-1NO	\$112.00

Door Hold Switch Modules

Handle (Round White Plastic)

Part No.	Model	Marking	Halo (Insert)	Contact Arrangement	List Price
PB4-0050N	RWB	PUSH FOR INSP.	Round Black	1NO-1NC	\$56.00
PB4-0051N	RWB	DOOR HOLD OPEN	Round Black	1NO-1NC	\$56.00
PB4-0076N	SWB	DOOR HOLD OPEN	Square Black	1NO-1NC	\$56.00

PB4-0050N



PB4-0051N



PB4-0076N



Emergency Stop
Switch Modules

SIGNAL FIXTURE COMPONENTS

Toggle Type Modules

Various Toggle Type Switch Modules

Part No.	Model	Marking	Contact Arrangement	List Price
PB6-0010V	SBW	DOOR HOLD	1NO-1NC	\$44.00
PB6-0011V	RBW	DOOR-HOLD	1NO-1NC	\$44.00
PB6-0012V	SBB	DOOR HOLD	1NO-1NC	\$44.00
PB6-0013V	RBB	DOOR HOLD	1NO-1NC	\$44.00
PB6-0014V	RBB	LIGHT-OFF	1NO-1NC	\$44.00

Part No.	Model	Marking	Contact Arrangement	List Price
PB6-0015V	RBB	INSP-NORM	1NO-1NC	\$44.00
PB6-0017V	RBW	ON-OFF	1NO-1NC	\$44.00
PB6-0018V	SBW	ON-OFF	1NO-1NC	\$44.00
PB6-0019V	RBB	ON-OFF	1NO-1NC	\$44.00
PB5-0021N				\$9.40

Note: These switches are supplied vertically mount only. An adaptor plate (**Part No. PB5-0021N**) is available to convert vertical to horizontal mounting for round module.

PB6-0010V



PB6-0011V



PB6-0012V



PB6-0013V



PB6-0014V



PB6-0015V



PB6-0017V



PB6-0018V



PB6-0019V



PB5-0021N



Adaptor Plate

Toggle Type
Switch Modules

SIGNAL FIXTURE COMPONENTS

Toggle Type Modules

Run-Stop Toggle Switch Modules

Part No.	Model	Halo (Insert)	Contact Arrangement	List Price
PB6-0001V**	RRB	Round Black	1NO-1NC	\$44.00
PB6-0002V	SRW	Square White	2NO-1NC	\$56.00
PB6-0003V	RRW	Round White	2NO-1NC	\$56.00
PB6-0004V	SRB	Square Black	2NO-1NC	\$56.00
PB6-0005V	RRB	Round Black	2NO-1NC	\$56.00
PB6-0006V	SRW	Square White	2NC-1NO	\$56.00
PB6-0007V	RRW	Round White	2NC-1NO	\$56.00
PB6-0008V	SRB	Square Black	2NC-1NO	\$56.00
PB6-0009V	RRB	Round Black	2NC-1NO	\$56.00

**PB6-0001V: Toggle switch is for pit switch & car top station



RRW



SRW



RRB



SRB

Plug Assemblies

PB5-0001N



Plug Assembly, 1 3/8" Dia. Station Cover St. Stl. With Backplate & Hardware
List Price: \$15.40

PB5-0052N



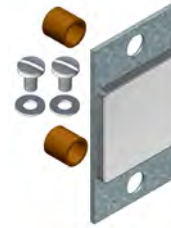
Plug Assembly, 1 1/8" Dia. Station Cover St. Stl. With Backplate & Hardware
List Price: \$15.40

PB5-0050N



Plug Assembly, 1" Dia. Station Cover St. Stl. With Backplate & Hardware
List Price: \$15.40

PB5-0003N



Plug Assembly, 1 5/16" Square Station Cover St. Stl. With Backplate & Hardware
List Price: \$15.40

PB5-0002N



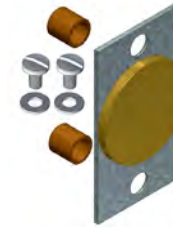
Plug Assembly, 1 3/8" Dia. Station Cover Muntz With Backplate & Hardware
List Price: \$15.40

PB5-0053N



Plug Assembly, 1 1/8" Dia. Station Cover Muntz With Backplate & Hardware
List Price: \$15.40

PB5-0051N



Plug Assembly, 1" Dia. Station Cover Muntz With Backplate & Hardware
List Price: \$15.40

PB5-0004N



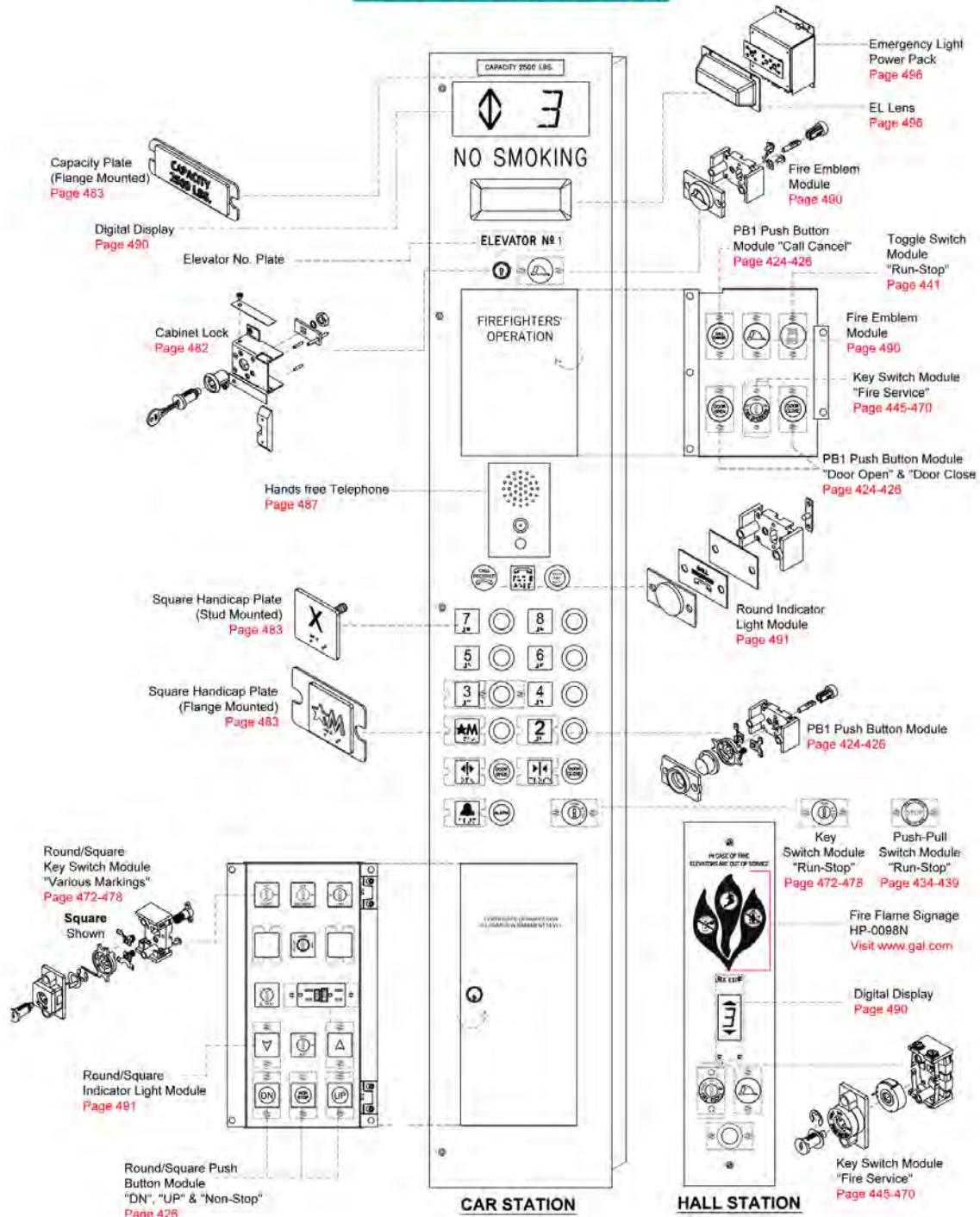
Plug Assembly, 1 5/16" Square Station Cover Muntz With Backplate & Hardware
List Price: \$15.40

Toggle Type
Switch Modules

SIGNAL FIXTURE COMPONENTS

Car and Hall Station Panel Layout

SAMPLE LAYOUT (A)

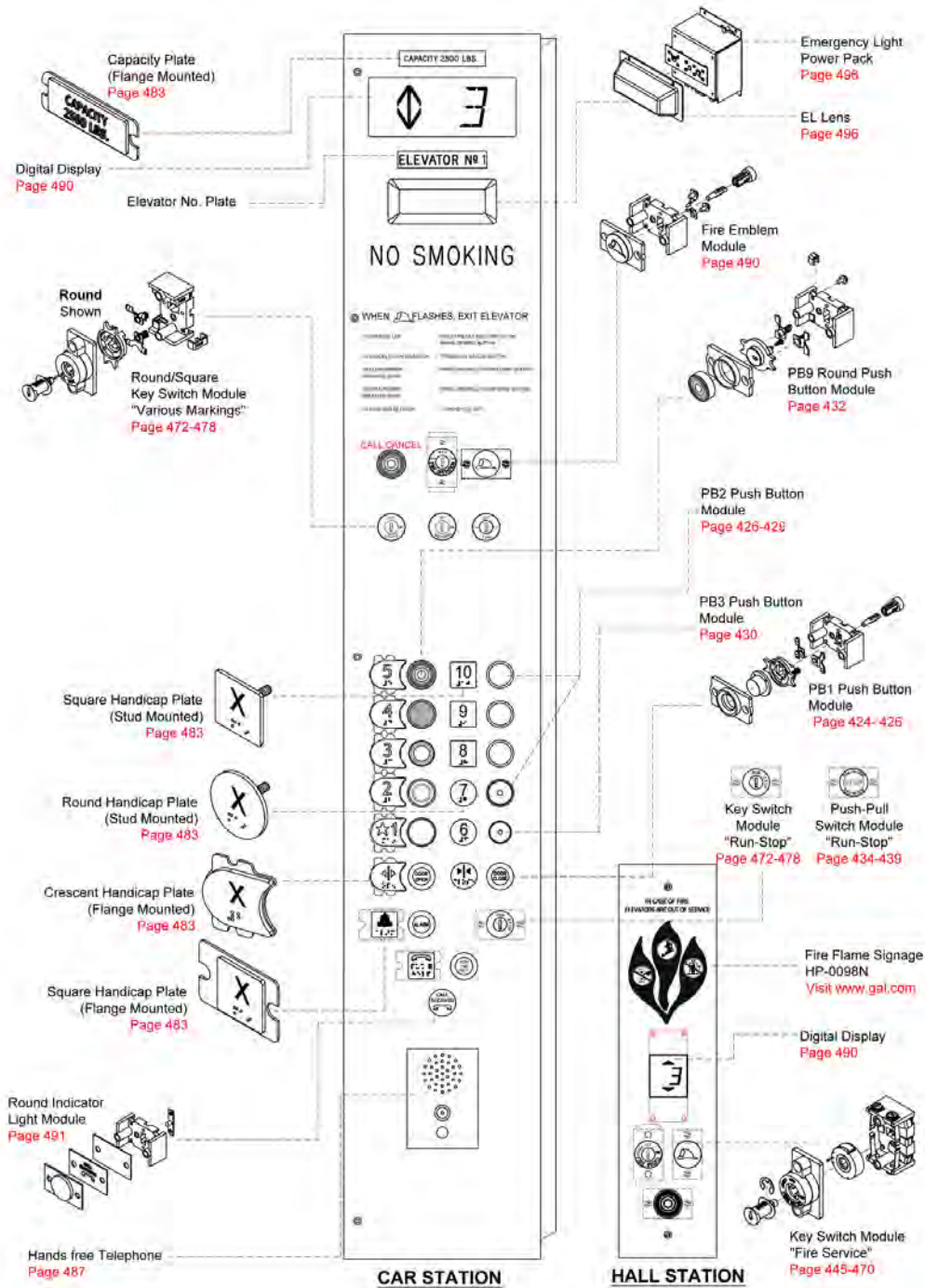


Car & Hall Station Panel Layout

SIGNAL FIXTURE COMPONENTS

Car and Hall Station Panel Layout

SAMPLE LAYOUT (B)

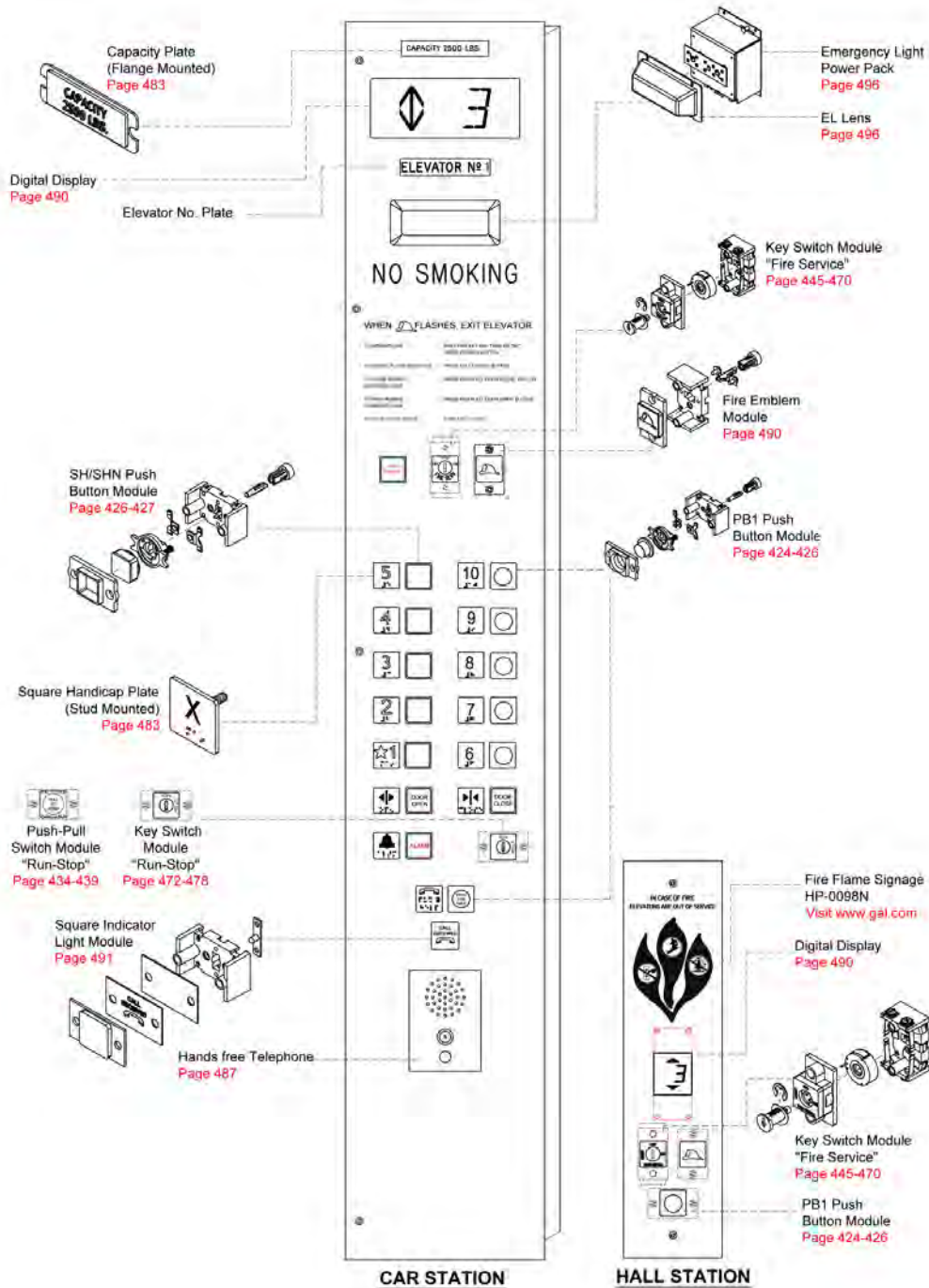


Car & Hall Station
Panel Layout

SIGNAL FIXTURE COMPONENTS

Car and Hall Station Panel Layout

SAMPLE LAYOUT (C)



Car & Hall Station Panel Layout

SIGNAL FIXTURE COMPONENTS

Fire Service Key Switches

How To Find Your Fire Service Key Switch

- 1) Find what code year your job was done under: ANSI 1996, ASME 2000, 2004-2010. Does this code still apply or was it changed from the original installation time?
- 2) Check the **State & City Code Charts** first to see if your state or city is listed under the correct code year for this job. If not listed here, go to the **National Code Charts** to locate code year required.
- 3) Find out if key switch has a round or square insert (halo), shell, or flush configuration.
- 4) What is marked on the insert (halo) or cover? Check for correct markings in chart.
- 5) Check key switch functions and match to functions in chart.
- 6) What key was used? (Make and Key No.)
- 7) Part No. is found under (SST) St. Steel or (MTZ) Muntz bronze finish in code charts.
- 8) Chose if it is mounted horizontal or vertical.

SIGNAL FIXTURE COMPONENTS

Fire Service Key Switches

National Code Chart

FIRE CODE COMPLIANCE CHART						
Abbr.	State	City	ANSI-1996	ASME-2000	ASME-2004	ASME-2007-2010
States	All States	Cities Not Listed	•	•	•	
AK	Alaska	All Cities			•	•
AL	Alabama	Birmingham			•	
		Cities Not Listed				•
AR	Arkansas	All Cities				•
AZ	Arizona	All Cities			•	•
CA	California	All Cities	•		•	
CO	Colorado	Boulder		•		
		Denver			•	
		Cities Not Listed				•
CT	Connecticut	All Cities	•			
DC	District of Columbia	Washington DC			•	
DE	Delaware	Dover		•		•
		Kent			•	
		New Castle		•	•	
		Sussex County		•		
		Wilmington		•		
FL	Florida	Up to 5 Floors			•	•
		6 Floors and Above	Contact Engineering			
GA	Georgia	All Cities				•
HI	Hawaii	All Cities	•			
IA	Iowa	All Cities				•
ID	Idaho	All Cities		•		•
IL	Illinois	Chicago City	•	•		•
		Cities Not Listed			•	•
IN	Indiana	All Cities		•		•
KS	Kansas	All Cities			•	
KY	Kentucky	All Cities			•	•
LA	Louisiana	All Cities			•	•
MA	Massachusetts	All Cities	•	•	•	•
MD	Maryland	All Cities				•
ME	Maine	All Cities	•	•	•	•
MI	Michigan	Detroit	ANSI-1993			
		Cities Not Listed			•	•
MN	Minnesota	All Cities			•	
MO	Missouri	St. Louis				•
		Cities Not Listed			•	

Fire Service
Key Switches

SIGNAL FIXTURE COMPONENTS

Fire Service Key Switches

National Code Chart

FIRE CODE COMPLIANCE CHART						
Abbr.	State	City	ANSI-1996	ASME-2000	ASME-2004	ASME-2007-2010
MS	Mississippi	All Cities			•	
MT	Montana	All Cities		•	•	
NC	North Carolina	All Cities				•
ND	North Dakota	All Cities				•
NE	Nebraska	All Cities				•
NH	New Hampshire	All Cities	•	•	•	•
NJ	New Jersey	All Cities	•		•	•
NM	New Mexico	All Cities				•
NV	Nevada	All Cities				•
NY	New York	Islip Township	•	•	•	•
		Mount Vernon	•	•	•	•
		New Rochelle	•	•	•	•
		New York City	•	•		
		White Plains	•	•	•	•
		Yonkers	•	•	•	
		Cities Not Listed		•	•	•
OH	Ohio	All Cities				•
OK	Oklahoma	Oklahoma City		•		
		Tulsa			•	
		Cities Not Listed				•
OR	Oregon	All Cities				•
PA	Pennsylvania	All Cities	•	•		
PR	Puerto Rico	Puerto Rico	•		•	
RI	Rhode Island	All Cities				•
SC	South Carolina	All Cities	•	•	•	•
SD	South Dakota	All Cities			•	•
TN	Tennessee	All Cities			•	•
TX	Texas	Fort Worth			•	•
		Cities Not Listed				•
UT	Utah	All Cities				•
VA	Virginia	All Cities			•	•
VT	Vermont	All Cities				•
WV	West Virginia	All Cities				•
WA	Washington	Seattle				•
		Cities Not Listed			•	
WI	Wisconsin	All Cities				•
WY	Wyoming	All Cities			•	•

Fire Service
Key Switches

SIGNAL FIXTURE COMPONENTS

Fire Service Key Switches

National Code Chart

ANSI-1996

HALL
CHICAGO Key #1617



RKR



SKR



RKR



SKR

HALL
MEDECO Key #FS



SHELL MOUNT

HALL
MEDECO Key #FS



FLUSH MOUNT

PHASE I (HALL)	Marked On:	Marking	Function	Key No	SST Part No	Mtz Part No	List Price
(RKR) Round	Halo	FIRE SERV. BYPASS • OFF • ON	3 Position Key Removable In: Off/On	GAL # FSS 1617	KS3-0057V/H		\$71.00
(RKR) Round	Halo	FIRE SERV. BYPASS • OFF • ON	3 Position Key Removable In: Off/On	Medeco # FS	KS3-0049V/H	KS3-0050V/H	\$108.00
(SKR) Square	Halo	FIRE SERV. BYPASS • OFF • ON	3 Position Key Removable In: Off/On	GAL # FSS 1617	KS3-0058V/H		\$71.00
(SKR) Square	Halo	FIRE SERV. BYPASS • OFF • ON	3 Position Key Removable In: Off/On	Medeco # FS	KS3-0051V/H	KS3-0052V/H	\$108.00
Shell Mounted	Cover	FIRE SERV. BYPASS • OFF • ON	3 Position Key Removable In: Off/On	Medeco # FS	KS3-0073V/H	KS3-0074V/H	\$158.00
Flush Mounted	Cover	FIRE SERV. BYPASS • OFF • ON	3 Position Key Removable In: Off/On	Medeco # FS	KS3-0067V/H	KS3-0068V/H	\$136.00

CAR
CHICAGO Key #1617



RKR



SKR



RKR



SKR

CAR
MEDECO Key #FS



SHELL MOUNT

CAR
MEDECO Key #FS



FLUSH MOUNT

PHASE II (CAR)	Marked On:	Marking	Function	Key No	SST Part No	Mtz Part No	List Price
(RKR) Round	Halo	FIRE SERV. OFF • HOLD • ON	3 Position Key Removable In: All 3 Position	GAL # FSS 1617	KS3-0059V/H		\$71.00
(RKR) Round	Halo	FIRE SERV. OFF • HOLD • ON	3 Position Key Removable In: All 3 Position	Medeco # FS	KS3-0053V/H	KS3-0054V/H	\$108.00
(SKR) Square	Halo	FIRE SERV. OFF • HOLD • ON	3 Position Key Removable In: All 3 Position	GAL # FSS 1617	KS3-0060V/H		\$71.00
(SKR) Square	Halo	FIRE SERV. OFF • HOLD • ON	3 Position Key Removable In: All 3 Position	Medeco # FS	KS3-0055V/H	KS3-0056V/H	\$108.00
Shell Mounted	Cover	FIRE SERV. OFF • HOLD • ON	3 Position Key Removable In: All 3 Position	Medeco # FS	KS3-0075V/H	KS3-0076V/H	\$158.00
Flush Mounted	Cover	FIRE SERV. OFF • HOLD • ON	3 Position Key Removable In: All 3 Position	Medeco # FS	KS3-0069V/H	KS3-0070V/H	\$136.00

Fire Service
Key Switches

SIGNAL FIXTURE COMPONENTS

Fire Service Key Switches

National Code Chart

ASME-2000

HALL
CHICAGO Key #1617



RKR



SKR

HALL
MEDECO Key #FS



RKR



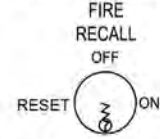
SKR

HALL
MEDECO Key #FS



SHELL MOUNT

HALL
MEDECO Key #FS



FLUSH MOUNT

PHASE I (HALL)	Marked On:	Marking	Function	Key No	SST Part No	Mtz Part No	List Price
(RKR) Round	Halo	FIRE RECALL RESET • OFF • ON	3 Position Key Removable In: Off/On	Medeco # FS	KS3-0085V/H	KS3-0089V/H	\$108.00
(RKR) Round	Halo	FIRE RECALL RESET • OFF • ON	3 Position Key Removable In: Off/On	GAL # FSS 1617	KS3-0087V/H		\$71.00
(SKR) Square	Halo	FIRE RECALL RESET • OFF • ON	3 Position Key Removable In: Off/On	Medeco # FS	KS3-0091V/H	KS3-0095V/H	\$108.00
(SKR) Square	Halo	FIRE RECALL RESET • OFF • ON	3 Position Key Removable In: Off/On	GAL # FSS 1617	KS3-0093V/H		\$71.00
Shell Mounted	Cover	FIRE RECALL RESET • OFF • ON	3 Position Key Removable In: Off/On	Medeco # FS	KS3-0073V/H	KS3-0074V/H	\$158.00
Flush Mounted	Cover	FIRE RECALL RESET • OFF • ON	3 Position Key Removable In: Off/On	Medeco # FS	KS3-0067V/H	KS3-0068V/H	\$136.00

CAR
CHICAGO Key #1617



RKR



SKR

CAR
MEDECO Key #FS



RKR



SKR

CAR
MEDECO Key #FS



SHELL MOUNT

CAR
MEDECO Key #FS



FLUSH MOUNT

PHASE II (CAR)	Marked On:	Marking	Function	Key No	SST Part No	Mtz Part No	List Price
(RKR) Round	Halo	FIRE OPERATION OFF • HOLD • ON	3 Position Key Removable In: Off/Hold	GAL # FSS 1617	KS3-0088V/H		\$71.00
(RKR) Round	Halo	FIRE OPERATION OFF • HOLD • ON	3 Position Key Removable In: Off/Hold	Medeco # FS	KS3-0086V/H	KS3-0090V/H	\$108.00
(SKR) Square	Halo	FIRE OPERATION OFF • HOLD • ON	3 Position Key Removable In: Off/Hold	GAL # FSS 1617	KS3-0094V/H		\$71.00
(SKR) Square	Halo	FIRE OPERATION OFF • HOLD • ON	3 Position Key Removable In: Off/Hold	Medeco # FS	KS3-0092V/H	KS3-0096V/H	\$108.00
Shell Mounted	Cover	FIRE OPERATION OFF • HOLD • ON	3 Position Key Removable In: Off/Hold	Medeco # FS	KS3-0149V/H		\$136.00
Flush Mounted	Cover	FIRE OPERATION OFF • HOLD • ON	3 Position Key Removable In: Off/Hold	Medeco # FS	KS3-0150V/H	KS3-0151V/H	\$136.00

Fire Service
Key Switches

SIGNAL FIXTURE COMPONENTS

Fire Service Key Switches

National Code Chart

ASME-2004

HALL
CHICAGO Key #1617



RKR



SKR

HALL
MEDECO Key #FS



RKR



SKR

HALL
MEDECO Key #FS



SHELL MOUNT

PHASE I (HALL)	Marked On:	Marking	Function	Key No	SST Part No	Mtz Part No	List Price
(RKR) Round	Halo	FIRE RECALL RESET • OFF • ON	3 Position Key Removable In: Off/On	GAL # FSS 1617	KS3-0087V/H		\$71.00
(RKR) Round	Halo	FIRE RECALL RESET • OFF • ON	3 Position Key Removable In: Off/On	Medeco # FS	KS3-0085V/H	KS3-0089V/H	\$108.00
(SKR) Square	Halo	FIRE RECALL RESET • OFF • ON	3 Position Key Removable In: Off/On	GAL # FSS 1617	KS3-0093V/H		\$71.00
(SKR) Square	Halo	FIRE RECALL RESET • OFF • ON	3 Position Key Removable In: Off/On	Medeco # FS	KS3-0091V/H	KS3-0095V/H	\$108.00
Shell Mounted	Cover	FIRE RECALL RESET • OFF • ON	3 Position Key Removable In: Off/On	Medeco # FS	KS3-0073V/H	KS3-0074V/H	\$158.00

CAR
CHICAGO Key #1617



RKR

CAR
MEDECO Key #FS



RKR

From 2004 and on, all Phase II (Car) fire service key switches are mounted on a sub-panel located inside the lock box and are ONLY supplied in RKR round configuration. SKR square configurations are ONLY available prior to 2004.

PHASE II (CAR)	Marked On:	Marking	Function	Key No	SST Part No	Mtz Part No	List Price
(RKR) Round	Halo	FIRE OPERATION OFF • HOLD • ON	3 Position Key Removable In: Off/Hold	GAL # FSS 1617	KS3-0088V		\$71.00
(RKR) Round	Halo	FIRE OPERATION OFF • HOLD • ON	3 Position Key Removable In: Off/Hold	Medeco # FS	KS3-0086V	KS3-0090V	\$108.00

SIGNAL FIXTURE COMPONENTS

Fire Service Key Switches

National Code Chart

ASME-2007-2010

HALL
ACE Key #FEO-K1

CAR
ACE Key #FEO-K1



RKR

SKR

RKR

PHASE I (HALL)	Marked On:	Marking	Function	Key No	SST Part No	Mtz Part No	List Price
(RKR) Round	Halo	FIRE RECALL RESET • OFF • ON	3 Position Key Removable In: Off/On	ACE FEO-K1	KS3-0179V/H	KS3-0186V/H	\$231.00
(SKR) Square	Halo	FIRE RECALL RESET • OFF • ON	3 Position Key Removable In: Off/On	ACE FEO-K1	KS3-0181V/H	KS3-0188V/H	\$231.00
PHASE II (CAR)	Marked On:	Marking	Function	Key No	SST Part No	Mtz Part No	List Price
(RKR) Round	Halo	FIRE OPERATION OFF • HOLD • ON	3 Position Key Removable In: Off/Hold	ACE FEO-K1	KS3-0180V	KS3-0187V	\$231.00

If your fire service switch configuration is not found in the **State and City Code Chart** below, use the **National Code Chart** for the code year required.

State and City Code Chart: ANSI-1996

California (All Cities)

HALL
CHICAGO Key #1617

HALL
MEDECO Key #FS

HALL
MEDECO Key #FS

HALL
MEDECO Key #FS



RKR

SKR

RKR

SKR

SHELL MOUNT

FLUSH MOUNT

PHASE I (HALL)	Marked On:	Marking	Function	Key No	SST Part No	Mtz Part No	List Price
(RKR) Round	Halo	FIRE SERV. BYPASS • OFF • ON	3 Position Key Removable In: Off/On	GAL # FSS 1617	KS3-0057V/H		\$71.00
(RKR) Round	Halo	FIRE SERV. BYPASS • OFF • ON	3 Position Key Removable In: Off/On	Medeco # FS	KS3-0049V/H	KS3-0050V/H	\$108.00
(SKR) Square	Halo	FIRE SERV. BYPASS • OFF • ON	3 Position Key Removable In: Off/On	GAL # FSS 1617	KS3-0058V/H		\$71.00
(SKR) Square	Halo	FIRE SERV. BYPASS • OFF • ON	3 Position Key Removable In: Off/On	Medeco # FS	KS3-0051V/H	KS3-0052V/H	\$108.00
Shell Mounted	Cover	FIRE SERV. BYPASS • OFF • ON	3 Position Key Removable In: Off/On	Medeco # FS	KS3-0073V/H	KS3-0074V/H	\$158.00
Flush Mounted	Cover	FIRE SERV. BYPASS • OFF • ON	3 Position Key Removable In: Off/On	Medeco # FS	KS3-0067V/H	KS3-0068V/H	\$136.00

SIGNAL FIXTURE COMPONENTS

Fire Service Key Switches

State and City Code Chart: ANSI-1996

California (All Cities)

CAR
CHICAGO Key #1617



RKR



SKR

CAR
MEDECO Key #FS



RKR



SKR

CAR
MEDECO Key #FS



SHELL MOUNT

CAR
MEDECO Key #FS



FLUSH MOUNT

PHASE II (CAR)	Marked On:	Marking	Function	Key No	SST Part No	Mtz Part No	List Price
(RKR) Round	Halo	FIRE SERV. OFF • ON	2 Position Key Removable In: Off	GAL # FSS 1617	KS3-0041V/H		\$71.00
(RKR) Round	Halo	FIRE SERV. OFF • ON	2 Position Key Removable In: Off	Medeco # FS	KS3-0043V/H	KS3-0044V/H	\$108.00
(SKR) Square	Halo	FIRE SERV. OFF • ON	2 Position Key Removable In: Off	GAL # FSS 1617	KS3-0042V/H		\$71.00
(SKR) Square	Halo	FIRE SERV. OFF • ON	2 Position Key Removable In: Off	Medeco # FS	KS3-0045V/H	KS3-0046V/H	\$108.00
Shell Mounted	Cover	FIRE SERV. OFF • ON	2 Position Key Removable In: Off	Medeco # FS	KS3-0071V/H	KS3-0072V/H	\$158.00
Flush Mounted	Cover	FIRE SERV. OFF • ON	2 Position Key Removable In: Off	Medeco # FS	KS3-0065V/H	KS3-0066V/H	\$136.00

Connecticut (All Cities)

HALL
ACE Key #BFD-1



RKR



SKR

CAR
ACE Key #BFD-1



RKR



SKR

PHASE I (HALL)	Marked On:	Marking	Function	Key No	SST Part No	List Price
(RKR) Round	Halo	FIRE SERV. BYPASS • OFF • ON	3 Position Key Removable In: Off/On	ACE BFD-1	KS3-0033V/H	\$231.00
(SKR) Square	Halo	FIRE SERV. BYPASS • OFF • ON	3 Position Key Removable In: Off/On	ACE BFD-1	KS3-0034V/H	\$231.00
PHASE II (CAR)	Marked On:	Marking	Function	Key No	SST Part No	List Price
(RKR) Round	Halo	FIRE SERV. OFF • HOLD • ON	3 Position Key Removable In: All 3 Position	ACE BFD-1	KS3-0035V/H	\$231.00
(SKR) Square	Halo	FIRE SERV. OFF • HOLD • ON	3 Position Key Removable In: All 3 Position	ACE BFD-1	KS3-0036V/H	\$231.00

SIGNAL FIXTURE COMPONENTS

Fire Service Key Switches

State and City Code Chart: ANSI-1996

Illinois, Chicago City

HALL & CAR
CHICAGO Key #1617



RKR



SKR



RKR



SKR

HALL & CAR
MEDECO Key #FS



SHELL MOUNT

HALL & CAR
MEDECO Key #FS



FLUSH MOUNT

PHASE I (HALL) PHASE II (CAR)	Marked On:	Marking	Function	Key No	SST Part No	Mtz Part No	List Price
RKR Round	Halo	FIRE SERV. OFF • ON	2 Position Key Removable In: Off	GAL # FSS 1617	KS3-0041V/H		\$71.00
RKR Round	Halo	FIRE SERV. OFF • ON	2 Position Key Removable In: Off	Medeco # FS	KS3-0043V/H	KS3-0044V/H	\$108.00
SKR Square	Halo	FIRE SERV. OFF • ON	2 Position Key Removable In: Off	GAL # FSS 1617	KS3-0042V/H		\$71.00
SKR Square	Halo	FIRE SERV. OFF • ON	2 Position Key Removable In: Off	Medeco # FS	KS3-0045V/H	KS3-0046V/H	\$108.00
Shell Mounted	Cover	FIRE SERV. OFF • ON	2 Position Key Removable In: Off	Medeco # FS	KS3-0071V/H	KS3-0072V/H	\$158.00
Flush Mounted	Cover	FIRE SERV. OFF • ON	2 Position Key Removable In: Off	Medeco # FS	KS3-0065V/H	KS3-0066V/H	\$136.00

Maine (All Cities)

HALL
YALE Key #3502



RKR



SKR

CAR
YALE Key #3502



RKR



SKR

PHASE I (HALL)	Marked On:	Marking	Function	Key No	SST Part No	Mtz Part No	List Price
(RKR) Round	Halo	FIRE SERV. BYPASS • OFF • ON	3 Position Key Removable In: Off/On	Yale # 3502	KS3-0009V/H	KS3-0010V/H	\$231.00
(SKR) Square	Halo	FIRE SERV. BYPASS • OFF • ON	3 Position Key Removable In: Off/On	Yale # 3502	KS3-0011V/H	KS3-0012V/H	\$231.00
PHASE II (CAR)	Marked On:	Marking	Function	Key No	SST Part No	Mtz Part No	List Price
(RKR) Round	Halo	FIRE SERV. OFF • HOLD • ON	3 Position Key Removable In: All 3 Position	Yale # 3502	KS3-0013V/H	KS3-0014V/H	\$231.00
(SKR) Square	Halo	FIRE SERV. OFF • HOLD • ON	3 Position Key Removable In: All 3 Position	Yale # 3502	KS3-0015V/H	KS3-0016V/H	\$231.00

Fire Service
Key Switches

SIGNAL FIXTURE COMPONENTS

Fire Service Key Switches

State and City Code Chart: ANSI-1996

HALL
YALE Key #3502

CAR
YALE Key #3502



RKR



SKR



RKR



SKR

Massachusetts (All Cities)

PHASE I (HALL)	Marked On:	Marking	Function	Key No	SST Part No	Mtz Part No	List Price
(RKR) Round	Halo	FIRE SERV. BYPASS • OFF • ON	3 Position Key Removable In: Off/On	Yale # 3502	KS3-0009V/H	KS3-0010V/H	\$231.00
(SKR) Square	Halo	FIRE SERV. BYPASS • OFF • ON	3 Position Key Removable In: Off/On	Yale # 3502	KS3-0011V/H	KS3-0012V/H	\$231.00

PHASE II (CAR)	Marked On:	Marking	Function	Key No	SST Part No	Mtz Part No	List Price
(RKR) Round	Halo	FIRE SERV. OFF • HOLD • ON	3 Position Key Removable In: All 3 Position	Yale # 3502	KS3-0013V/H	KS3-0014V/H	\$231.00
(SKR) Square	Halo	FIRE SERV. OFF • HOLD • ON	3 Position Key Removable In: All 3 Position	Yale # 3502	KS3-0015V/H	KS3-0016V/H	\$231.00

New Hampshire (All Cities)

PHASE I (HALL)	Marked On:	Marking	Function	Key No	SST Part No	Mtz Part No	List Price
(RKR) Round	Halo	FIRE SERV. BYPASS • OFF • ON	3 Position Key Removable In: Off/On	Yale # 3502	KS3-0009V/H	KS3-0010V/H	\$231.00
(SKR) Square	Halo	FIRE SERV. BYPASS • OFF • ON	3 Position Key Removable In: Off/On	Yale # 3502	KS3-0011V/H	KS3-0012V/H	\$231.00

PHASE II (CAR)	Marked On:	Marking	Function	Key No	SST Part No	Mtz Part No	List Price
(RKR) Round	Halo	FIRE SERV. OFF • HOLD • ON	3 Position Key Removable In: All 3 Position	Yale # 3502	KS3-0013V/H	KS3-0014V/H	\$231.00
(SKR) Square	Halo	FIRE SERV. OFF • HOLD • ON	3 Position Key Removable In: All 3 Position	Yale # 3502	KS3-0015V/H	KS3-0016V/H	\$231.00

New Jersey (All Cities)

PHASE I (HALL)	Marked On:	Marking	Function	Key No	SST Part No	Mtz Part No	List Price
(SKR) Square	Halo	FIRE SERV. BYPASS • OFF • ON	3 Position Key Removable In: Off/On	Yale # 3502	KS3-0011V/H	KS3-0012V/H	\$231.00

PHASE II (CAR)	Marked On:	Marking	Function	Key No	SST Part No	Mtz Part No	List Price
(SKR) Square	Halo	FIRE SERV. OFF • HOLD • ON	3 Position Key Removable In: All 3 Position	Yale # 3502	KS3-0015V/H	KS3-0016V/H	\$231.00

Fire Service Key Switches

SIGNAL FIXTURE COMPONENTS

Fire Service Key Switches

State and City Code Chart: ANSI-1996

New York, Islip Township



PHASE I (HALL)	Marked On:	Marking	Function	Key No	SST Part No	List Price
(RKR) Round	Halo	FIRE SERV. BYPASS • OFF • ON	3 Position Key Removable In: Off/On	Chicago # 2389	KS3-0168V/H	\$231.00
(SKR) Square	Halo	FIRE SERV. BYPASS • OFF • ON	3 Position Key Removable In: Off/On	Chicago # 2389	KS3-0169V/H	\$231.00

PHASE II (CAR)	Marked On:	Marking	Function	Key No	SST Part No	List Price
(RKR) Round	Halo	FIRE SERV. OFF • HOLD • ON	3 Position Key Removable In: All 3 Position	Chicago # 2389	KS3-0170V/H	\$231.00
(SKR) Square	Halo	FIRE SERV. OFF • HOLD • ON	3 Position Key Removable In: All 3 Position	Chicago # 2389	KS3-0171V/H	\$231.00

New York, Mount Vernon



PHASE I (HALL)	Marked On:	Marking	Function	Key No	SST Part No	Mtz Part No	List Price
(RKR) Round	Halo	FIRE SERV. BYPASS • OFF • ON	3 Position Key Removable In: Off/On	Yale # 255	KS3-0064V/H	KS3-0147V/H	\$231.00
(SKR) Square	Halo	FIRE SERV. BYPASS • OFF • ON	3 Position Key Removable In: Off/On	Yale # 255	KS3-0141V/H	KS3-0148V/H	\$231.00

PHASE II (CAR)	Marked On:	Marking	Function	Key No	SST Part No	Mtz Part No	List Price
(RKR) Round	Halo	FIRE SERV. OFF • HOLD • ON	3 Position Key Removable In: All 3 Position	Yale # 255	KS3-0021V/H	KS3-0022V/H	\$231.00
(SKR) Square	Halo	FIRE SERV. OFF • HOLD • ON	3 Position Key Removable In: All 3 Position	Yale # 255	KS3-0023V/H	KS3-0024V/H	\$231.00

Fire Service Key Switches

SIGNAL FIXTURE COMPONENTS

Fire Service Key Switches

State and City Code Chart: ANSI-1996

New York, New Rochelle

HALL
YALE Key #2642

CAR
YALE Key #2642



RKR

SKR

RKR

SKR

PHASE I (HALL)	Marked On:	Marking	Function	Key No	SST Part No	Mtz Part No	List Price
(RKR) Round	Halo	FIRE SERV. BYPASS • OFF • ON	3 Position Key Removable In: Off/On	Yale # 2642	KS3-0025V/H	KS3-0026V/H	\$231.00
(SKR) Square	Halo	FIRE SERV. BYPASS • OFF • ON	3 Position Key Removable In: Off/On	Yale # 2642	KS3-0027V/H	KS3-0028V/H	\$231.00

PHASE II (CAR)	Marked On:	Marking	Function	Key No	SST Part No	Mtz Part No	List Price
(RKR) Round	Halo	FIRE SERV. OFF • HOLD • ON	3 Position Key Removable In: All 3 Position	Yale # 2642	KS3-0029V/H	KS3-0030V/H	\$231.00
(SKR) Square	Halo	FIRE SERV. OFF • HOLD • ON	3 Position Key Removable In: All 3 Position	Yale # 2642	KS3-0031V/H	KS3-0032V/H	\$231.00

New York, New York City

HALL
YALE Key #2642

CAR
YALE Key #2642



RKR

SKR

RKR

SKR

PHASE I (HALL)	Marked On:	Marking	Function	Key No	SST Part No	Mtz Part No	List Price
(RKR) Round	Halo	NORM FIRE SERV.	2 Position Key Removable In: All 2 Position	Yale # 2642	KS3-0001V/H	KS3-0002V/H	\$231.00
(SKR) Square	Halo	NORM FIRE SERV.	2 Position Key Removable In: All 2 Position	Yale # 2642	KS3-0003V/H	KS3-0004V/H	\$231.00

PHASE II (CAR)	Marked On:	Marking	Function	Key No	SST Part No	Mtz Part No	List Price
(RKR) Round	Halo	FIRE SERV. NORM • HOLD	2 Position Key Removable In: Normal/Hold	Yale # 2642	KS3-0005V/H	KS3-0006V/H	\$231.00
(SKR) Square	Halo	FIRE SERV. NORM • HOLD	2 Position Key Removable In: Normal/Hold	Yale # 2642	KS3-0007V/H	KS3-0008V/H	\$231.00

Fire Service
Key Switches

SIGNAL FIXTURE COMPONENTS

Fire Service Key Switches

State and City Code Chart: ANSI-1996

New York, White Plains

HALL YALE Key #255 CAR YALE Key #255



PHASE I (HALL)	Marked On:	Marking	Function	Key No	SST Part No	Mtz Part No	List Price
(RKR) Round	Halo	FIRE SERV. BYPASS • OFF • ON	3 Position Key Removable In: Off/On	Yale # 255	KS3-0017V/H	KS3-0018V/H	\$231.00
(SKR) Square	Halo	FIRE SERV. BYPASS • OFF • ON	3 Position Key Removable In: Off/On	Yale # 255	KS3-0019V/H	KS3-0020V/H	\$231.00

PHASE II (CAR)	Marked On:	Marking	Function	Key No	SST Part No	Mtz Part No	List Price
(RKR) Round	Halo	FIRE SERV. OFF • HOLD • ON	3 Position Key Removable In: All 3 Position	Yale # 255	KS3-0021V/H	KS3-0022V/H	\$231.00
(SKR) Square	Halo	FIRE SERV. OFF • HOLD • ON	3 Position Key Removable In: All 3 Position	Yale # 255	KS3-0023V/H	KS3-0024V/H	\$231.00

New York, Yonkers

HALL YALE Key #2642 CAR YALE Key #2642



PHASE I (HALL)	Marked On:	Marking	Function	Key No	SST Part No	Mtz Part No	List Price
(RKR) Round	Halo	FIRE SERV. BYPASS • OFF • ON	3 Position Key Removable In: Off/On	Yale # 2642	KS3-0025V/H	KS3-0026V/H	\$231.00
(SKR) Square	Halo	FIRE SERV. BYPASS • OFF • ON	3 Position Key Removable In: Off/On	Yale # 2642	KS3-0027V/H	KS3-0028V/H	\$231.00

PHASE II (CAR)	Marked On:	Marking	Function	Key No	SST Part No	Mtz Part No	List Price
(RKR) Round	Halo	FIRE SERV. OFF • HOLD • ON	3 Position Key Removable In: All 3 Position	Yale # 2642	KS3-0029V/H	KS3-0030V/H	\$231.00
(SKR) Square	Halo	FIRE SERV. OFF • HOLD • ON	3 Position Key Removable In: All 3 Position	Yale # 2642	KS3-0031V/H	KS3-0032V/H	\$231.00

Fire Service
Key Switches

SIGNAL FIXTURE COMPONENTS

Fire Service Key Switches

State and City Code Chart: ANSI-1996

Pennsylvania (All Cities)

HALL CHICAGO Key #1617 HALL MEDECO Key #FS HALL MEDECO Key #FS HALL MEDECO Key #FS



RKR



SKR



RKR



SKR



SHELL MOUNT



FLUSH MOUNT

PHASE I (HALL)	Marked On:	Marking	Function	Key No	SST Part No	Mtz Part No	List Price
(RKR) Round	Halo	FIRE SERV. BYPASS • OFF • ON	3 Position Key Removable In: Off/On	GAL # FSS 1617	KS3-0057V/H		\$71.00
(RKR) Round	Halo	FIRE SERV. BYPASS • OFF • ON	3 Position Key Removable In: Off/On	Medeco # FS	KS3-0049V/H	KS3-0050V/H	\$108.00
(SKR) Square	Halo	FIRE SERV. BYPASS • OFF • ON	3 Position Key Removable In: Off/On	GAL # FSS 1617	KS3-0058V/H		\$71.00
(SKR) Square	Halo	FIRE SERV. BYPASS • OFF • ON	3 Position Key Removable In: Off/On	Medeco # FS	KS3-0051V/H	KS3-0052V/H	\$108.00
Shell Mounted	Cover	FIRE SERV. BYPASS • OFF • ON	3 Position Key Removable In: Off/On	Medeco # FS	KS3-0073V/H		\$158.00
Flush Mounted	Cover	FIRE SERV. BYPASS • OFF • ON	3 Position Key Removable In: Off/On	Medeco # FS	KS3-0067V/H	KS3-0068V/H	\$136.00

CAR CHICAGO Key #1617 CAR MEDECO Key #FS CAR MEDECO Key #FS CAR MEDECO Key #FS



RKR



SKR



RKR



SKR



SHELL MOUNT



FLUSH MOUNT

PHASE II (CAR)	Marked On:	Marking	Function	Key No	SST Part No	Mtz Part No	List Price
(RKR) Round	Halo	FIRE SERV. OFF • ON	2 Position Key Removable In: Off	GAL # FSS 1617	KS3-0041V/H		\$71.00
(RKR) Round	Halo	FIRE SERV. OFF • ON	2 Position Key Removable In: Off	Medeco # FS	KS3-0043V/H	KS3-0044V/H	\$108.00
(SKR) Square	Halo	FIRE SERV. OFF • ON	2 Position Key Removable In: Off	GAL # FSS 1617	KS3-0042V/H		\$71.00
(SKR) Square	Halo	FIRE SERV. OFF • ON	2 Position Key Removable In: Off	Medeco # FS	KS3-0045V/H	KS3-0046V/H	\$108.00
Shell Mounted	Cover	FIRE SERV. OFF • ON	2 Position Key Removable In: Off	Medeco # FS	KS3-0071V/H	KS3-0072V/H	\$158.00
Flush Mounted	Cover	FIRE SERV. OFF • ON	2 Position Key Removable In: Off	Medeco # FS	KS3-0065V/H	KS3-0066V/H	\$136.00

Fire Service
Key Switches

SIGNAL FIXTURE COMPONENTS

Fire Service Key Switches

State and City Code Chart: ANSI-1996

South Carolina (All Cities)

HALL CAR
ILLINOIS Key #SC 1000 ILLINOIS Key #SC 1000



RKR



SKR



RKR



SKR

PHASE I (HALL)	Marked On:	Marking	Function	Key No	SST Part No	List Price
(RKR) Round	Halo	FIRE SERV. BYPASS • OFF • ON	3 Position Key Removable In: Off/On	Illinois # SC 1000	KS3-0037V/H	\$185.00
(SKR) Square	Halo	FIRE SERV. BYPASS • OFF • ON	3 Position Key Removable In: Off/On	Illinois # SC 1000	KS3-0038V/H	\$185.00

PHASE II (CAR)	Marked On:	Marking	Function	Key No	SST Part No	List Price
(RKR) Round	Halo	FIRE SERV. OFF • HOLD • ON	3 Position Key Removable In: All 3 Position	Illinois # SC 1000	KS3-0039V/H	\$185.00
(SKR) Square	Halo	FIRE SERV. OFF • HOLD • ON	3 Position Key Removable In: All 3 Position	Illinois # SC 1000	KS3-0040V/H	\$185.00

Puerto Rico, Puerto Rico (In Spanish)

HALL CAR
CHICAGO Key #1617 CHICAGO Key #1617



RKR



RKR

PHASE I (HALL)	Marked On:	Marking	Function	Key No	SST Part No	List Price
(RKR) Round	Halo	SERV. BOMBEROS OFF • ON	2 Position Key Removable In: All 2 Position	GAL # FSS 1617	KS3-0176V/H	\$71.00

PHASE II (CAR)	Marked On:	Marking	Function	Key No	SST Part No	List Price
(RKR) Round	Halo	BOMBEROS OFF • ON • AUTO	3 Position Key Removable In: All 3 Position	GAL # FSS 1617	KS3-0174V/H	\$71.00
(RKR) Round	Halo	PARAR CARRO OFF • ON	2 Position Key Removable In: All 2 Position	GAL # 1601	KS3-0175V/H	\$34.00

Fire Service
Key Switches

SIGNAL FIXTURE COMPONENTS

Fire Service Key Switches

State and City Code Chart: ASME-2000

Illinois, Chicago City



PHASE I (HALL)	Marked On:	Marking	Function	Key No	SST Part No	Mtz Part No	List Price
(RKR) Round	Halo	FIRE RECALL OFF • ON	2 Position Key Removable In: Off	GAL # FSS 1617	KS3-0164V/H		\$71.00
(RKR) Round	Halo	FIRE RECALL OFF • ON	2 Position Key Removable In: Off	Medeco # FS	KS3-0156V/H	KS3-0157V/H	\$108.00
(SKR) Square	Halo	FIRE RECALL OFF • ON	2 Position Key Removable In: Off	GAL # FSS 1617	KS3-0165V/H		\$71.00
(SKR) Square	Halo	FIRE RECALL OFF • ON	2 Position Key Removable In: Off	Medeco # FS	KS3-0158V/H	KS3-0159V/H	\$108.00

PHASE II (CAR)	Marked On:	Marking	Function	Key No	SST Part No	Mtz Part No	List Price
(RKR) Round	Halo	FIRE OPERATION OFF • ON	2 Position Key Removable In: Off	GAL # FSS 1617	KS3-0166V/H		\$71.00
(RKR) Round	Halo	FIRE OPERATION OFF • ON	2 Position Key Removable In: Off	Medeco # FS	KS3-0160V/H	KS3-0161V/H	\$108.00
(SKR) Square	Halo	FIRE OPERATION OFF • ON	2 Position Key Removable In: Off	GAL # FSS 1617	KS3-0167V/H		\$71.00
(SKR) Square	Halo	FIRE OPERATION OFF • ON	2 Position Key Removable In: Off	Medeco # FS	KS3-0162V/H	KS3-0163V/H	\$108.00

PHASE I (HALL) PHASE II (CAR)	Marked On:	Marking	Function	Key No	SST Part No	Mtz Part No	List Price
Shell Mounted	Cover	FIRE RECALL OFF • ON	2 Position Key Removable In: Off	Medeco # FS	KS3-0071V/H	KS3-0072V/H	\$158.00
Shell Mounted	Cover	FIRE OPERATION OFF • ON	2 Position Key Removable In: Off	Medeco # FS	KS3-0071V/H	KS3-0072V/H	\$158.00

Fire Service Key Switches

SIGNAL FIXTURE COMPONENTS

Fire Service Key Switches

State and City Code Chart: ASME-2000

HALL
YALE Key #3502

CAR
YALE Key #3502



RKR



SKR



RKR



SKR

Maine (All Cities)

PHASE I (HALL)	Marked On:	Marking	Function	Key No	SST Part No	Mtz Part No	List Price
(RKR) Round	Halo	FIRE RECALL RESET • OFF • ON	3 Position Key Removable In: Off/On	Yale # 3502	KS3-0105V/H	KS3-0107V/H	\$231.00
(SKR) Square	Halo	FIRE RECALL RESET • OFF • ON	3 Position Key Removable In: Off/On	Yale # 3502	KS3-0106V/H	KS3-0108V/H	\$231.00

PHASE II (CAR)	Marked On:	Marking	Function	Key No	SST Part No	Mtz Part No	List Price
(RKR) Round	Halo	FIRE OPERATION OFF • HOLD • ON	3 Position Key Removable In: Off/Hold	Yale # 3502	KS3-0109V/H	KS3-0111V/H	\$231.00
(SKR) Square	Halo	FIRE OPERATION OFF • HOLD • ON	3 Position Key Removable In: Off/Hold	Yale # 3502	KS3-0110V/H	KS3-0112V/H	\$231.00

Massachusetts (All Cities)

PHASE I (HALL)	Marked On:	Marking	Function	Key No	SST Part No	Mtz Part No	List Price
(RKR) Round	Halo	FIRE RECALL RESET • OFF • ON	3 Position Key Removable In: Off/On	Yale # 3502	KS3-0105V/H	KS3-0107V/H	\$231.00
(SKR) Square	Halo	FIRE RECALL RESET • OFF • ON	3 Position Key Removable In: Off/On	Yale # 3502	KS3-0106V/H	KS3-0108V/H	\$231.00

PHASE II (CAR)	Marked On:	Marking	Function	Key No	SST Part No	Mtz Part No	List Price
(RKR) Round	Halo	FIRE OPERATION OFF • HOLD • ON	3 Position Key Removable In: All 3 Position	Yale # 3502	KS3-0118V/H	KS3-0120V/H	\$231.00
(SKR) Square	Halo	FIRE OPERATION OFF • HOLD • ON	3 Position Key Removable In: All 3 Position	Yale # 3502	KS3-0119V/H	KS3-0121V/H	\$231.00

New Hampshire (All Cities)

PHASE I (HALL)	Marked On:	Marking	Function	Key No	SST Part No	Mtz Part No	List Price
(RKR) Round	Halo	FIRE RECALL RESET • OFF • ON	3 Position Key Removable In: Off/On	Yale # 3502	KS3-0105V/H	KS3-0107V/H	\$231.00
(SKR) Square	Halo	FIRE RECALL RESET • OFF • ON	3 Position Key Removable In: Off/On	Yale # 3502	KS3-0106V/H	KS3-0108V/H	\$231.00

PHASE II (CAR)	Marked On:	Marking	Function	Key No	SST Part No	Mtz Part No	List Price
(RKR) Round	Halo	FIRE OPERATION OFF • HOLD • ON	3 Position Key Removable In: Off/Hold	Yale # 3502	KS3-0109V/H	KS3-0111V/H	\$231.00
(SKR) Square	Halo	FIRE OPERATION OFF • HOLD • ON	3 Position Key Removable In: Off/Hold	Yale # 3502	KS3-0110V/H	KS3-0112V/H	\$231.00

Fire Service
Key Switches

SIGNAL FIXTURE COMPONENTS

Fire Service Key Switches

State and City Code Chart: ASME-2000

New York, Islip Township



PHASE I (HALL)	Marked On:	Marking	Function	Key No	SST Part No	List Price
(RKR) Round	Halo	FIRE RECALL RESET • OFF • ON	3 Position Key Removable In: Off/On	Chicago # 2389	KS3-0189V/H	\$185.00
(SKR) Square	Halo	FIRE RECALL RESET • OFF • ON	3 Position Key Removable In: Off/On	Chicago # 2389	KS3-0191V/H	\$185.00

PHASE II (CAR)	Marked On:	Marking	Function	Key No	SST Part No	List Price
(RKR) Round	Halo	FIRE OPERATION OFF • HOLD • ON	3 Position Key Removable In: Off/Hold	Chicago # 2389	KS3-0190V/H	\$185.00

New York, Mount Vernon



PHASE I (HALL)	Marked On:	Marking	Function	Key No	SST Part No	Mtz Part No	List Price
(RKR) Round	Halo	FIRE RECALL RESET • OFF • ON	3 Position Key Removable In: Off/On	Yale # 255	KS3-0129V/H	KS3-0131V/H	\$231.00
(SKR) Square	Halo	FIRE RECALL RESET • OFF • ON	3 Position Key Removable In: Off/On	Yale # 255	KS3-0130V/H	KS3-0132V/H	\$231.00

PHASE II (CAR)	Marked On:	Marking	Function	Key No	SST Part No	Mtz Part No	List Price
(RKR) Round	Halo	FIRE OPERATION OFF • HOLD • ON	3 Position Key Removable In: Off/Hold	Yale # 255	KS3-0133V	KS3-0135V	\$231.00
(SKR) Square	Halo	FIRE OPERATION OFF • HOLD • ON	3 Position Key Removable In: Off/Hold	Yale # 255	KS3-0134V/H	KS3-0136V/H	\$231.00

Fire Service Key Switches

SIGNAL FIXTURE COMPONENTS

Fire Service Key Switches

State and City Code Chart: ASME-2000

New York, New Rochelle

HALL
YALE Key #2642

CAR
YALE Key #2642



RKR

SKR

RKR

SKR

PHASE I (HALL)	Marked On:	Marking	Function	Key No	SST Part No	Mtz Part No	List Price
(RKR) Round	Halo	FIRE RECALL RESET • OFF • ON	3 Position Key Removable In: Off/On	Yale # 2642	KS3-0117V/H	KS3-0123V/H	\$231.00
(SKR) Square	Halo	FIRE RECALL RESET • OFF • ON	3 Position Key Removable In: Off/On	Yale # 2642	KS3-0122V/H	KS3-0124V/H	\$231.00

PHASE II (CAR)	Marked On:	Marking	Function	Key No	SST Part No	Mtz Part No	List Price
(RKR) Round	Halo	FIRE OPERATION OFF • HOLD • ON	3 Position Key Removable In: Off/Hold	Yale # 2642	KS3-0125V/H	KS3-0126V/H	\$231.00
(SKR) Square	Halo	FIRE OPERATION OFF • HOLD • ON	3 Position Key Removable In: Off/Hold	Yale # 2642	KS3-0127V/H	KS3-0128V/H	\$231.00

New York, New York City

HALL
YALE Key #2642

CAR
YALE Key #2642



RKR

SKR

RKR

SKR

PHASE I (HALL)	Marked On:	Marking	Function	Key No	SST Part No	Mtz Part No	List Price
(RKR) Round	Halo	NORM FIRE SERV.	2 Position Key Removable In: All 2 Position	Yale # 2642	KS3-0001V/H	KS3-0002V/H	\$231.00
(SKR) Square	Halo	NORM FIRE SERV.	2 Position Key Removable In: All 2 Position	Yale # 2642	KS3-0003V/H	KS3-0004V/H	\$231.00

PHASE II (CAR)	Marked On:	Marking	Function	Key No	SST Part No	Mtz Part No	List Price
(RKR) Round	Halo	FIRE SERV. NORM • HOLD	2 Position Key Removable In: Normal/Hold	Yale # 2642	KS3-0005V/H	KS3-0006V/H	\$231.00
(SKR) Square	Halo	FIRE SERV. NORM • HOLD	2 Position Key Removable In: Normal/Hold	Yale # 2642	KS3-0007V/H	KS3-0008V/H	\$231.00

Fire Service
Key Switches

SIGNAL FIXTURE COMPONENTS

Fire Service Key Switches

State and City Code Chart: ASME-2000

New York, White Plains

HALL
YALE Key #255

CAR
YALE Key #255



RKR

SKR

RKR

SKR

PHASE I (HALL)	Marked On:	Marking	Function	Key No	SST Part No	Mtz Part No	List Price
(RKR) Round	Halo	FIRE RECALL RESET • OFF • ON	3 Position Key Removable In: Off/On	Yale # 255	KS3-0129V/H	KS3-0131V/H	\$231.00
(SKR) Square	Halo	FIRE RECALL RESET • OFF • ON	3 Position Key Removable In: Off/On	Yale # 255	KS3-0130V/H	KS3-0132V/H	\$231.00

PHASE II (CAR)	Marked On:	Marking	Function	Key No	SST Part No	Mtz Part No	List Price
(RKR) Round	Halo	FIRE OPERATION OFF • HOLD • ON	3 Position Key Removable In: Off/Hold	Yale # 255	KS3-0133V/H	KS3-0135V/H	\$231.00
(SKR) Square	Halo	FIRE OPERATION OFF • HOLD • ON	3 Position Key Removable In: Off/Hold	Yale # 255	KS3-0134V/H	KS3-0136V/H	\$231.00

New York, Yonkers

HALL
YALE Key #2642

CAR
YALE Key #2642



RKR

SKR

RKR

SKR

PHASE I (HALL)	Marked On:	Marking	Function	Key No	SST Part No	Mtz Part No	List Price
(RKR) Round	Halo	FIRE RECALL RESET • OFF • ON	3 Position Key Removable In: Off/On	Yale # 2642	KS3-0117V/H	KS3-0123V/H	\$231.00
(SKR) Square	Halo	FIRE RECALL RESET • OFF • ON	3 Position Key Removable In: Off/On	Yale # 2642	KS3-0122V/H	KS3-0124V/H	\$231.00

PHASE II (CAR)	Marked On:	Marking	Function	Key No	SST Part No	Mtz Part No	List Price
(RKR) Round	Halo	FIRE OPERATION OFF • HOLD • ON	3 Position Key Removable In: Off/Hold	Yale # 2642	KS3-0125V/H	KS3-0126V/H	\$231.00
(SKR) Square	Halo	FIRE OPERATION OFF • HOLD • ON	3 Position Key Removable In: Off/Hold	Yale # 2642	KS3-0127V/H	KS3-0128V/H	\$231.00

Fire Service
Key Switches

SIGNAL FIXTURE COMPONENTS

Fire Service Key Switches

State and City Code Chart: ASME-2000

South Carolina (All Cities)



PHASE I (HALL)	Marked On:	Marking	Function	Key No	SST Part No	List Price
(RKR) Round	Halo	FIRE RECALL RESET • OFF • ON	3 Position Key Removable In: Off/On	Illinois # SC 1000	KS3-0145V/H	\$185.00
(SKR) Square	Halo	FIRE RECALL RESET • OFF • ON	3 Position Key Removable In: Off/On	Illinois # SC 1000	KS3-0146V/H	\$185.00

PHASE II (CAR)	Marked On:	Marking	Function	Key No	SST Part No	List Price
(RKR) Round	Halo	FIRE OPERATION OFF • HOLD • ON	3 Position Key Removable In: Off/Hold	Illinois # SC 1000	KS3-0143V/H	\$185.00
(SKR) Square	Halo	FIRE OPERATION OFF • HOLD • ON	3 Position Key Removable In: Off/Hold	Illinois # SC 1000	KS3-0144V/H	\$185.00

State and City Code Chart: ASME-2004-2010

From 2004 and on, all Phase II (Car) fire service key switches are mounted on a sub-panel located inside the lock box and are ONLY supplied in RKR round configuration. SKR square configurations are ONLY available prior to 2004.

Arizona (All Cities)



PHASE I (HALL)	Marked On:	Marking	Function	Key No	SST Part No	List Price
(RKR) Round	Halo	FIRE RECALL RESET • OFF • ON	3 Position Key Removable In: Off/On	Northeast # AZFS	KS3-0183V/H	\$231.00
(SKR) Square	Halo	FIRE RECALL RESET • OFF • ON	3 Position Key Removable In: Off/On	Northeast # AZFS	KS3-0185V/H	\$231.00

Prior to 2004, Arizona abided by ANSI-1996 National Codes. Refer to the National Code Chart: ANSI-1996 for the fire service switch configuration.

PHASE II (CAR)	Marked On:	Marking	Function	Key No	SST Part No	List Price
(RKR) Round	Halo	FIRE OPERATION OFF • HOLD • ON	3 Position Key Removable In: Off/Hold	Northeast # AZFS	KS3-0184V	\$231.00

SIGNAL FIXTURE COMPONENTS

Fire Service Key Switches

State and City Code Chart: ASME-2004-2010

Maine (All Cities)

HALL
YALE Key #3502

CAR
YALE Key #3502



RKR

SKR

RKR

PHASE I (HALL)	Marked On:	Marking	Function	Key No	SST Part No	Mtz Part No	List Price
(RKR) Round	Halo	FIRE RECALL RESET • OFF • ON	3 Position Key Removable In: Off/On	Yale # 3502	KS3-0105V/H	KS3-0107V/H	\$231.00
(SKR) Square	Halo	FIRE RECALL RESET • OFF • ON	3 Position Key Removable In: Off/On	Yale # 3502	KS3-0106V/H	KS3-0108V/H	\$231.00

PHASE II (CAR)	Marked On:	Marking	Function	Key No	SST Part No	Mtz Part No	List Price
(RKR) Round	Halo	FIRE OPERATION OFF • HOLD • ON	3 Position Key Removable In: Off/Hold	Yale # 3502	KS3-0109V	KS3-0111V	\$231.00

HALL
YALE Key #3502

CAR
YALE Key #3502



RKR

SKR

RKR

Massachusetts (All Cities)

PHASE I (HALL)	Marked On:	Marking	Function	Key No	SST Part No	Mtz Part No	List Price
(RKR) Round	Halo	FIRE RECALL RESET • OFF • ON	3 Position Key Removable In: Off/On	Yale # 3502	KS3-0105V/H	KS3-0107V/H	\$231.00
(SKR) Square	Halo	FIRE RECALL RESET • OFF • ON	3 Position Key Removable In: Off/On	Yale # 3502	KS3-0106V/H	KS3-0108V/H	\$231.00

PHASE II (CAR)	Marked On:	Marking	Function	Key No	SST Part No	Mtz Part No	List Price
(RKR) Round	Halo	FIRE OPERATION OFF • HOLD • ON	3 Position Key Removable In: All 3 Position	Yale # 3502	KS3-0118V	KS3-0120V	\$231.00

New Hampshire (All Cities)

PHASE I (HALL)	Marked On:	Marking	Function	Key No	SST Part No	Mtz Part No	List Price
(RKR) Round	Halo	FIRE RECALL RESET • OFF • ON	3 Position Key Removable In: Off/On	Yale # 3502	KS3-0105V/H	KS3-0107V/H	\$231.00
(SKR) Square	Halo	FIRE RECALL RESET • OFF • ON	3 Position Key Removable In: Off/On	Yale # 3502	KS3-0106V/H	KS3-0108V/H	\$231.00

PHASE II (CAR)	Marked On:	Marking	Function	Key No	SST Part No	Mtz Part No	List Price
(RKR) Round	Halo	FIRE OPERATION OFF • HOLD • ON	3 Position Key Removable In: Off/Hold	Yale # 3502	KS3-0109V	KS3-0111V	\$231.00

SIGNAL FIXTURE COMPONENTS

Fire Service Key Switches

State and City Code Chart: ASME-2004-2010

New Jersey (All Cities)

PHASE I (HALL)	Marked On:	Marking	Function	Key No	SST Part No	Mtz Part No	List Price
(RKR) Round	Halo	FIRE RECALL RESET • OFF • ON	3 Position Key Removable In: Off/On	Yale # 3502	KS3-0105V/H	KS3-0107V/H	\$231.00
(SKR) Square	Halo	FIRE RECALL RESET • OFF • ON	3 Position Key Removable In: Off/On	Yale # 3502	KS3-0106V/H	KS3-0108V/H	\$231.00
PHASE II (CAR)	Marked On:	Marking	Function	Key No	SST Part No	Mtz Part No	List Price
(RKR) Round	Halo	FIRE OPERATION OFF • HOLD • ON	3 Position Key Removable In: Off/Hold	Yale # 3502	KS3-0109V	KS3-0111V	\$231.00

New York, Islip Township

HALL
CHICAGO Key #2389

CAR
CHICAGO Key #2389



PHASE I (HALL)	Marked On:	Marking	Function	Key No	SST Part No	List Price
(RKR) Round	Halo	FIRE RECALL RESET • OFF • ON	3 Position Key Removable In: Off/On	Chicago # 2389	KS3-0189V/H	\$185.00
(SKR) Square	Halo	FIRE RECALL RESET • OFF • ON	3 Position Key Removable In: Off/On	Chicago # 2389	KS3-0191V/H	\$185.00
PHASE II (CAR)	Marked On:	Marking	Function	Key No	SST Part No	List Price
(RKR) Round	Halo	FIRE OPERATION OFF • HOLD • ON	3 Position Key Removable In: Off/Hold	Chicago # 2389	KS3-0190V	\$185.00

New York, Mount Vernon

HALL
YALE Key #255

CAR
YALE Key #255



PHASE I (HALL)	Marked On:	Marking	Function	Key No	SST Part No	Mtz Part No	List Price
(RKR) Round	Halo	FIRE RECALL RESET • OFF • ON	3 Position Key Removable In: Off/On	Yale # 255	KS3-0129V/H	KS3-0131V/H	\$231.00
(SKR) Square	Halo	FIRE RECALL RESET • OFF • ON	3 Position Key Removable In: Off/On	Yale # 255	KS3-0130V/H	KS3-0132V/H	\$231.00
PHASE II (CAR)	Marked On:	Marking	Function	Key No	SST Part No	Mtz Part No	List Price
(RKR) Round	Halo	FIRE OPERATION OFF • HOLD • ON	3 Position Key Removable In: Off/Hold	Yale # 255	KS3-0133V	KS3-0135V	\$231.00

Fire Service
Key Switches

SIGNAL FIXTURE COMPONENTS

Fire Service Key Switches

State and City Code Chart: ASME-2004-2010

New York, New Rochelle

HALL
YALE Key #2642

CAR
YALE Key #2642



RKR

SKR

RKR

PHASE I (HALL)	Marked On:	Marking	Function	Key No	SST Part No	Mtz Part No	List Price
(RKR) Round	Halo	FIRE RECALL RESET • OFF • ON	3 Position Key Removable In: Off/On	Yale # 2642	KS3-0117V/H	KS3-0123V/H	\$231.00
(SKR) Square	Halo	FIRE RECALL RESET • OFF • ON	3 Position Key Removable In: Off/On	Yale # 2642	KS3-0122V/H	KS3-0124V/H	\$231.00

PHASE II (CAR)	Marked On:	Marking	Function	Key No	SST Part No	Mtz Part No	List Price
(RKR) Round	Halo	FIRE OPERATION OFF • HOLD • ON	3 Position Key Removable In: Off/Hold	Yale # 2642	KS3-0125V	KS3-0126V	\$231.00

New York, White Plains

HALL
YALE Key #255

CAR
YALE Key #255



RKR

SKR

RKR

PHASE I (HALL)	Marked On:	Marking	Function	Key No	SST Part No	Mtz Part No	List Price
(RKR) Round	Halo	FIRE RECALL RESET • OFF • ON	3 Position Key Removable In: Off/On	Yale # 255	KS3-0129V/H	KS3-0131V/H	\$231.00
(SKR) Square	Halo	FIRE RECALL RESET • OFF • ON	3 Position Key Removable In: Off/On	Yale # 255	KS3-0130V/H	KS3-0132V/H	\$231.00

PHASE II (CAR)	Marked On:	Marking	Function	Key No	SST Part No	Mtz Part No	List Price
(RKR) Round	Halo	FIRE OPERATION OFF • HOLD • ON	3 Position Key Removable In: Off/Hold	Yale # 255	KS3-0133V	KS3-0135V	\$231.00

Fire Service
Key Switches

SIGNAL FIXTURE COMPONENTS

Fire Service Key Switches

State and City Code Chart: ASME-2004-2010

New York, Yonkers

HALL
YALE Key #2642

CAR
YALE Key #2642



RKR

SKR

RKR

PHASE I (HALL)	Marked On:	Marking	Function	Key No	SST Part No	Mtz Part No	List Price
(RKR) Round	Halo	FIRE RECALL RESET • OFF • ON	3 Position Key Removable In: Off/On	Yale # 2642	KS3-0117V/H	KS3-0123V/H	\$231.00
(SKR) Square	Halo	FIRE RECALL RESET • OFF • ON	3 Position Key Removable In: Off/On	Yale # 2642	KS3-0122V/H	KS3-0124V/H	\$231.00

PHASE II (CAR)	Marked On:	Marking	Function	Key No	SST Part No	Mtz Part No	List Price
(RKR) Round	Halo	FIRE OPERATION OFF • HOLD • ON	3 Position Key Removable In: Off/Hold	Yale # 2642	KS3-0125V	KS3-0126V	\$231.00

South Carolina (All Cities)

HALL
ILLINOIS Key #SC 1000

CAR
ILLINOIS Key #SC 1000



RKR

SKR

RKR

PHASE I (HALL)	Marked On:	Marking	Function	Key No	SST Part No	List Price
(RKR) Round	Halo	FIRE RECALL RESET • OFF • ON	3 Position Key Removable In: Off/On	Illinois # SC 1000	KS3-0145V/H	\$185.00
(SKR) Square	Halo	FIRE RECALL RESET • OFF • ON	3 Position Key Removable In: Off/On	Illinois # SC 1000	KS3-0146V/H	\$185.00

PHASE II (CAR)	Marked On:	Marking	Function	Key No	SST Part No	List Price
(RKR) Round	Halo	FIRE OPERATION OFF • HOLD • ON	3 Position Key Removable In: Off/Hold	Illinois # SC 1000	KS3-0143V	\$185.00

Fire Service Key Switches

SIGNAL FIXTURE COMPONENTS

Fire Service Key Switches

State and City Code Chart: ASME-2004-2010

Rhode Island

HALL
ADAM Key #WDO1

CAR
ADAM Key #WDO1



Rhode Island's fire service key switch # WD01, fire operation, and fire recall cylinder & key are not supplied by G.A.L. Key switch must be purchased from Adams for the 2000 code year and after. Prior to the 2000 code refer to the 1996 National Code Chart for replacement G.A.L key switch.

PHASE I (HALL)	Marked On:	Marking	Function	Key No
(RKR) Round	Halo	FIRE RECALL OFF • ON	3 Position Key Removable In: Off/On	ADAMS # WDO1
PHASE II (CAR)	Marked On:	Marking	Function	Key No
(RKR) Round	Halo	FIRE SERV. OFF • HOLD • ON	3 Position Key Removable In: Off/Hold	ADAMS # WDO1

Weatherproof

National Code Chart: ANSI-1996

HALL
HUDSON Key #502

CAR
HUDSON Key #502

HALL
HUDSON Key #502

CAR
HUDSON Key #502



RKR

ANSI-1996

RKR

RKR

ASME
2000-2004

RKR

PHASE I (HALL)	Marked On:	Marking	Function	Key No	SST Part No	List Price
(RKR)-WP Round	Halo	FIRE SERV. BYPASS • OFF • ON	3 Position Key Removable In: Off/On	Hudson # 502	KS3-0061V/H	\$142.00
PHASE II (CAR)	Marked On:	Marking	Function	Key No	SST Part No	List Price
(RKR)-WP Round	Halo	FIRE SERV. OFF • HOLD • ON	3 Position Key Removable In: All 3 Position	Hudson # 502	KS3-0063V/H	\$142.00

National Code Chart: ASME-2000 & 2004

PHASE I (HALL)	Marked On:	Marking	Function	Key No	SST Part No	List Price
(RKR)-WP Round	Halo	FIRE RECALL RESET • OFF • ON	3 Position Key Removable In: Off/On	Hudson # 502	KS3-0178V/H	\$142.00
PHASE II (CAR)	Marked On:	Marking	Function	Key No	SST Part No	List Price
(RKR)-WP Round	Halo	FIRE OPERATION OFF • HOLD • ON	3 Position Key Removable In: Off/Hold	Hudson # 502	KS3-0177V/H	\$142.00

SIGNAL FIXTURE COMPONENTS

Fire Service Key Switches

Weatherproof

California & Pennsylvania: ANSI-1996

PHASE I (HALL)	Marked On:	Marking	Function	Key No	SST Part No	List Price
(RKR)-WP Round	Halo	FIRE SERV. BYPASS • OFF • ON	3 Position Key Removable In: Off/On	Hudson # 502	KS3-0061V/H	\$142.00

PHASE II (CAR)	Marked On:	Marking	Function	Key No	SST Part No	List Price
(RKR)-WP Round	Halo	FIRE SERV. OFF • ON	2 Position Key Removable In: Off	Hudson # 502	KS3-0062V/H	\$142.00

Emergency Power Key Switches

HALL
CHICAGO Key #1617



RKR



RKR

HALL
YALE Key #2642



RKR



RKR

HALL
MEDECO Key #FS



RKR



RKR

PHASE I (HALL)	Marking	Function	Key No	SST Part No	List Price
(RKR) Round	EMERG. POWER 1 • AUTO • 2	3 Position Key Removable In: All 3 Position	GAL # FSS 1617	KS3-0097V/H	\$71.00
(RKR) Round	EMERG. POWER AUTO • ON	2 Position Key Removable In: All 2 Position	GAL # FSS 1617	KS3-0098V/H	\$71.00
(RKR) Round	EMERG. POWER 1 • AUTO • 2	3 Position Key Removable In: All 3 Position	Yale # 2642	KS3-0099V/H	\$231.00
(RKR) Round	EMERG. POWER AUTO • ON	2 Position Key Removable In: All 2 Position	Yale # 2642	KS3-0100V/H	\$231.00
(RKR) Round	EMERG. POWER 1 • AUTO • 2	3 Position Key Removable In: All 3 Position	Medeco # FS	KS3-0103V/H	\$108.00
(RKR) Round	EMERG. POWER AUTO • ON	2 Position Key Removable In: All 2 Position	Medeco # FS	KS3-0104V/H	\$108.00

Fire Service
Key Switches

SIGNAL FIXTURE COMPONENTS

Key Switch Modules

G.A.L. (Chicago) Standard Modules

Round Halo: Model "RKB" & "RKW"

Key Position Legend	
A	2 Position Spring Return
B	2 Position - Removable In 1 Position
C	2 Position - Removable In 2 Position
D	3 Position Spring Return To Center Off
E	3 Position - Removable In 3 Position
F	4 Position - Removable In 4 Position



RKB
Black Halo



RKW
White Halo



RKB
Run Stop

Markings	Position	Contact Arrangement	St. Stl. RKB	St. Stl. RKW	Key Code	List Price
(Blank)	A	2NO	KS1-0093V/H	KS1-0116V/H	1613	\$50.00
(Blank)	A	2NO	KS1-0331V/H	KS1-0334V/H	1601	\$50.00
DN	A	2NO	KS1-0094V/H	KS1-0117V/H	1613	\$50.00
DN	A	2NO	KS1-0332V/H	KS1-0335V/H	1601	\$50.00
UP	A	2NO	KS1-0095V/H	KS1-0118V/H	1613	\$50.00
UP	A	2NO	KS1-0333V/H	KS1-0336V/H	1601	\$50.00
OFF-UP-DN-ACCESS	D	Multi Contact	KS1-0096V/H	KS1-0119V/H	1612	\$77.00
OFF-ON-ACCESS	C	1NO-1NC	KS1-0097V/H	KS1-0120V/H	1612	\$34.00
OFF-ON-INSPECT.	C	1NO-1NC	KS1-0098V/H	KS1-0121V/H	1612	\$34.00
OFF-ON	B	1NO-1NC	KS1-0099V/H	KS1-0122V/H	1601	\$34.00
OFF-ON	B	2NO	KS1-0100V/H	KS1-0123V/H	1601	\$34.00
OFF-ON	C	1NO-1NC	KS1-0101V/H	KS1-0124V/H	1601	\$34.00
OFF-ON	C	2NO	KS1-0102V/H	KS1-0125V/H	1601	\$34.00
OFF-ON-ELEC. EYE	C	1NO-1NC	KS1-0103V/H	KS1-0126V/H	1601	\$34.00
OFF-ON-HIGH EYE	C	1NO-1NC	KS1-0104V/H	KS1-0127V/H	1601	\$34.00
OFF-ON-LOW EYE	C	1NO-1NC	KS1-0105V/H	KS1-0128V/H	1601	\$34.00
OFF-ON-LIGHT	C	2NO	KS1-0106V/H	KS1-0129V/H	1601	\$34.00
OFF-ON-FAN	C	2NO	KS1-0107V/H	KS1-0130V/H	1601	\$34.00
OFF-LIGHT-FAN	E	Multi Contact	KS1-0108V/H	KS1-0131V/H	1601	\$56.00
LO-OFF-HI-FAN	E	Multi Contact	KS1-0109V/H	KS1-0132V/H	1601	\$56.00
OFF-LIGHT-FAN-HIGH	F	Multi Contact	KS1-0110V/H	KS1-0133V/H	1601	\$62.00
OFF-ON-ATT.	C	1NO-1NC	KS1-0111V/H	KS1-0134V/H	1601	\$34.00
OFF-ON-IND. SERV.	C	1NO-1NC	KS1-0112V/H	KS1-0135V/H	1601	\$34.00
OFF-ON-M.G.	C	1NO-1NC	KS1-0113V/H	KS1-0136V/H	1601	\$34.00
OFF-ON-EMERG. SERV.	C	1NO-1NC	KS1-0114V/H	KS1-0137V/H	1601	\$34.00
OFF-ON-DOOR HOLD	C	1NO-1NC	KS1-0115V/H	KS1-0138V/H	1601	\$34.00

Run-Stop Key Switches

Model	Markings	Position	Contact Arrangement	St. Stl.	Key Code	List Price
RKB	RUN-STOP	C	2NO-2NC	KS1-0357V/H	1601	\$77.00
RKB	RUN-STOP	C	2NO-2NC	KS1-0368V/H	1612	\$77.00
RKB	RUN-STOP	C	2NO-2NC	KS1-0375V/H	1615P	\$77.00
RKW	RUN-STOP	C	2NO-2NC	KS1-0366V/H	1601	\$77.00
RKW	RUN-STOP	C	2NO-2NC	KS1-0436H	1615P	\$77.00

SIGNAL FIXTURE COMPONENTS

Key Switch Modules

G.A.L. (Chicago) Standard Modules

Square Halo: Model "SKB" & "SKW"

Key Position Legend	
A	2 Position Spring Return
B	2 Position - Removable In 1 Position
C	2 Position - Removable In 2 Position
D	3 Position Spring Return To Center Off
E	3 Position - Removable In 3 Position
F	4 Position - Removable In 4 Position



St. Stl. SKB
Black Halo



St. Stl. SKW
White Halo



St. Stl. SKB
Black Halo

Markings	Position	Contact Arrangement	St. Stl. SKB	St. Stl. SKW	Key Code	List Price
(Blank)	A	2NO	KS1-0234V/H	KS1-0257V/H	1613	\$50.00
(Blank)	A	2NO	KS1-0337V/H	KS1-0340V/H	1601	\$50.00
DN	A	2NO	KS1-0235V/H	KS1-0258V/H	1613	\$50.00
DN	A	2NO	KS1-0338V/H	KS1-0341V/H	1601	\$50.00
UP	A	2NO	KS1-0236V/H	KS1-0259V/H	1613	\$50.00
UP	A	2NO	KS1-0339V/H	KS1-0342V/H	1601	\$50.00
OFF-UP-DN-ACCESS	D	Multi Contact	KS1-0237V/H	KS1-0260V/H	1612	\$77.00
OFF-ON-ACCESS	C	1NO-1NC	KS1-0238V/H	KS1-0261V/H	1612	\$34.00
OFF-ON-INSPECT.	C	1NO-1NC	KS1-0239V/H	KS1-0262V/H	1612	\$34.00
OFF-ON	B	1NO-1NC	KS1-0240V/H	KS1-0263V/H	1601	\$34.00
OFF-ON	B	2NO	KS1-0241V/H	KS1-0264V/H	1601	\$34.00
OFF-ON	C	1NO-1NC	KS1-0242V/H	KS1-0265V/H	1601	\$34.00
OFF-ON	C	2NO	KS1-0243V/H	KS1-0266V/H	1601	\$34.00
OFF-ON-ELECT. EYE	C	1NO-1NC	KS1-0244V/H	KS1-0267V/H	1601	\$34.00
OFF-ON-HIGH EYE	C	1NO-1NC	KS1-0245V/H	KS1-0268V/H	1601	\$34.00
OFF-ON-LOW EYE	C	1NO-1NC	KS1-0246V/H	KS1-0269V/H	1601	\$34.00
OFF-ON-LIGHT	C	2NO	KS1-0247V/H	KS1-0270V/H	1601	\$34.00
OFF-ON-FAN	C	2NO	KS1-0248V/H	KS1-0271V/H	1601	\$34.00
OFF-LIGHT-FAN	E	Multi Contact	KS1-0249V/H	KS1-0272V/H	1601	\$56.00
LO-OFF-HI-FAN	E	Multi Contact	KS1-0250V/H	KS1-0273V/H	1601	\$56.00
OFF-LIGHT-FAN-HIGH	F	Multi Contact	KS1-0251V/H	KS1-0274V/H	1601	\$62.00
OFF-ON-ATT.	C	1NO-1NC	KS1-0252V/H	KS1-0275V/H	1601	\$34.00
OFF-ON-IND. SERV.	C	1NO-1NC	KS1-0253V/H	KS1-0276V/H	1601	\$34.00
OFF-ON-M.G.	C	1NO-1NC	KS1-0254V/H	KS1-0277V/H	1601	\$34.00
OFF-ON-EMERG. SERV.	C	1NO-1NC	KS1-0255V/H	KS1-0278V/H	1601	\$34.00
OFF-ON-DOOR HOLD	C	1NO-1NC	KS1-0256V/H	KS1-0279V/H	1601	\$34.00
ACCESS-NORM-INSP	E	Multi Contact	KS1-0353V/H		1612	\$56.00

Run-Stop Key Switches

Model	Markings	Position	Contact Arrangement	St. Stl.	Key Code	List Price
SKB	RUN-STOP	C	1NO-1NC	KS1-0282V/H	1601	\$34.00
SKW	RUN-STOP	C	1NO-1NC	KS1-0425V/H	1601	\$34.00
SKB	RUN-STOP	C	2NO-2NC	KS1-0370V/H	1612	\$77.00

SIGNAL FIXTURE COMPONENTS

Key Switch Modules

Medeco Security Modules

Round Halo: Model "RKB" & "RKW"

Key Position Legend	
A	2 Position Spring Return
B	2 Position - Removable In 1 Position
C	2 Position - Removable In 2 Position
D	3 Position Spring Return To Center Off
E	3 Position - Removable In 3 Position
F	4 Position - Removable In 4 Position



St. Stl. RKB
Black Halo



Mtz RKW
White Halo



St. Stl. RKB
Black Halo

Markings	Position	Contact Arrangement	St. Stl. RKB	St. Stl. RKW	Mtz RKB	Mtz RKW	Key Code	List Price
(Blank)	A	2NO	KS1-0001V/H	KS1-0024V/H	KS1-0047V/H	KS1-0070V/H	*	\$87.00
DN	A	2NO	KS1-0002V/H	KS1-0025V/H	KS1-0048V/H	KS1-0071V/H	*	\$87.00
UP	A	2NO	KS1-0003V/H	KS1-0026V/H	KS1-0049V/H	KS1-0072V/H	*	\$87.00
OFF-UP-DN-ACCESS	D	Multi Contact	KS1-0004V/H	KS1-0027V/H	KS1-0050V/H	KS1-0073V/H	INS	\$114.00
OFF-ON-ACCESS	C	1NO-1NC	KS1-0005V/H	KS1-0028V/H	KS1-0051V/H	KS1-0074V/H	INS	\$71.00
OFF-ON-INSPECT.	C	1NO-1NC	KS1-0006V/H	KS1-0029V/H	KS1-0052V/H	KS1-0075V/H	INS	\$71.00
OFF-ON	B	1NO-1NC	KS1-0007V/H	KS1-0030V/H	KS1-0053V/H	KS1-0076V/H	*	\$71.00
OFF-ON	B	2NO	KS1-0008V/H	KS1-0031V/H	KS1-0054V/H	KS1-0077V/H	*	\$71.00
OFF-ON	C	1NO-1NC	KS1-0009V/H	KS1-0032V/H	KS1-0055V/H	KS1-0078V/H	*	\$71.00
OFF-ON	C	2NO	KS1-0010V/H	KS1-0033V/H	KS1-0056V/H	KS1-0079V/H	*	\$71.00
OFF-ON-ELECT. EYE	C	1NO-1NC	KS1-0011V/H	KS1-0034V/H	KS1-0057V/H	KS1-0080V/H	LF	\$71.00
OFF-ON-HIGH EYE	C	1NO-1NC	KS1-0012V/H	KS1-0035V/H	KS1-0058V/H	KS1-0081V/H	LF	\$71.00
OFF-ON-LOW EYE	C	1NO-1NC	KS1-0013V/H	KS1-0036V/H	KS1-0059V/H	KS1-0082V/H	LF	\$71.00
OFF-ON-LIGHT	C	2NO	KS1-0014V/H	KS1-0037V/H	KS1-0060V/H	KS1-0083V/H	LF	\$71.00
OFF-ON-FAN	C	2NO	KS1-0015V/H	KS1-0038V/H	KS1-0061V/H	KS1-0084V/H	LF	\$71.00
OFF-LIGHT-FAN	E	Multi Contact	KS1-0016V/H	KS1-0039V/H	KS1-0062V/H	KS1-0085V/H	LF	\$93.00
LO-OFF-HI-FAN	E	Multi Contact	KS1-0017V/H	KS1-0040V/H	KS1-0063V/H	KS1-0086V/H	LF	\$93.00
OFF-LIGHT-FAN-HIGH	F	Multi Contact	KS1-0018V/H	KS1-0041V/H	KS1-0064V/H	KS1-0087V/H	LF	\$99.00
OFF-ON-ATT.	C	1NO-1NC	KS1-0019V/H	KS1-0042V/H	KS1-0065V/H	KS1-0088V/H	LF	\$71.00
OFF-ON-IND. SERV.	C	1NO-1NC	KS1-0020V/H	KS1-0043V/H	KS1-0066V/H	KS1-0089V/H	LF	\$71.00
OFF-ON-M.G.	C	1NO-1NC	KS1-0021V/H	KS1-0044V/H	KS1-0067V/H	KS1-0090V/H	LF	\$71.00
OFF-ON-EMERG. SERV.	C	1NO-1NC	KS1-0022V/H	KS1-0045V/H	KS1-0068V/H	KS1-0091V/H	LF	\$71.00
OFF-ON-DOOR HOLD	C	1NO-1NC	KS1-0023V/H	KS1-0046V/H	KS1-0069V/H	KS1-0092V/H	LF	\$71.00
ACCESS-NORM-INSP	E	Circuit No. 1010	KS1-0346V/H		KS1-0348V/H		INS	\$114.00
NORM-INSP-INSPECT	C	1NO-1NC	KS1-0345V/H		KS1-0347V/H		INS	\$71.00
OFF-ON-ACCESS-ENABLE	C	1NO-1NC			KS1-0380V/H		INS	\$71.00
NORM-INSP-INSPECT	B	1NO-1NC	KS1-0349V				(NYC-HA)	\$71.00
NORM-INSP-INSPECT	B	2NC	KS1-0350V				(NYC-HA)	\$71.00
OFF-ON-MEDICAL EMERG.	C	2NO	KS1-0367V/H				"_" Key	\$87.00

Key Switch
Modules

SIGNAL FIXTURE COMPONENTS

Key Switch Modules

Medeco Security Modules

Round Halo: Model "RKB" & "RKW"

Run-Stop Key Switches

Model	Markings	Position	Contact Arrangement	St. Stl.	Mtz	Key Code	List Price
RKB	RUN-STOP	C	1NO-1NC	KS1-0139V/H	KS1-0140V/H	LF	\$71.00
RKB	RUN-STOP	C	2NO-2NC	KS1-0376V/H		NNN	\$114.00
RKW	RUN-STOP	C	2NO-2NC	KS1-0410V/H		NNN	\$114.00
RKB	RUN-STOP	C	2NO-2NC	KS1-0356V/H		LF	\$114.00
RKW	RUN-STOP	C	2NO-2NC	KS1-0365V/H		LF	\$114.00

Square Halo: Model "SKB" & "SKW"

Key Position Legend	
A	2 Position Spring Return
B	2 Position - Removable In 1 Position
C	2 Position - Removable In 2 Position
D	3 Position Spring Return To Center Off
E	3 Position - Removable In 3 Position
F	4 Position - Removable In 4 Position
*	Specify Key Code



Mtz SKB
Black Halo



St. Stl. SKW
White Halo



St. Stl. SKB
Black Halo

Markings	Position	Contact Arrangement	St. Stl. SKB	St. Stl. SKW	Mtz SKB	Mtz SKW	Key Code	List Price
(Blank)	A	2NO	KS1-0142V/H	KS1-0165V/H	KS1-0188V/H	KS1-0211V/H	*	\$87.00
DN	A	2NO	KS1-0143V/H	KS1-0166V/H	KS1-0189V/H	KS1-0212V/H	*	\$87.00
UP	A	2NO	KS1-0144V/H	KS1-0167V/H	KS1-0190V/H	KS1-0213V/H	*	\$87.00
OFF-UP-DN-ACCESS	D	Multi Contact	KS1-0145V/H	KS1-0168V/H	KS1-0191V/H	KS1-0214V/H	INS	\$114.00
OFF-ON-ACCESS	C	1NO-1NC	KS1-0146V/H	KS1-0169V/H	KS1-0192V/H	KS1-0215V/H	INS	\$71.00
OFF-ON-INSPECT.	C	1NO-1NC	KS1-0147V/H	KS1-0170V/H	KS1-0193V/H	KS1-0216V/H	INS	\$71.00
OFF-ON	B	1NO-1NC	KS1-0148V/H	KS1-0171V/H	KS1-0194V/H	KS1-0217V/H	*	\$71.00
OFF-ON	B	2NO	KS1-0149V/H	KS1-0172V/H	KS1-0195V/H	KS1-0218V/H	*	\$71.00
OFF-ON	C	1NO-1NC	KS1-0150V/H	KS1-0173V/H	KS1-0196V/H	KS1-0219V/H	*	\$71.00
OFF-ON	C	2NO	KS1-0151V/H	KS1-0174V/H	KS1-0197V/H	KS1-0220V/H	*	\$71.00
OFF-ON-ELECT. EYE	C	1NO-1NC	KS1-0152V/H	KS1-0175V/H	KS1-0198V/H	KS1-0221V/H	LF	\$71.00
OFF-ON-HIGH EYE	C	1NO-1NC	KS1-0153V/H	KS1-0176V/H	KS1-0199V/H	KS1-0222V/H	LF	\$71.00
OFF-ON-LOW EYE	C	1NO-1NC	KS1-0154V/H	KS1-0177V/H	KS1-0200V/H	KS1-0223V/H	LF	\$71.00
OFF-ON-LIGHT	C	2NO	KS1-0155V/H	KS1-0178V/H	KS1-0201V/H	KS1-0224V/H	LF	\$71.00
OFF-ON-FAN	C	2NO	KS1-0156V/H	KS1-0179V/H	KS1-0202V/H	KS1-0225V/H	LF	\$71.00
OFF-LIGHT-FAN	E	Multi Contact	KS1-0157V/H	KS1-0180V/H	KS1-0203V/H	KS1-0226V/H	LF	\$93.00
LO-OFF-HI-FAN	E	Multi Contact	KS1-0158V/H	KS1-0181V/H	KS1-0204V/H	KS1-0227V/H	LF	\$93.00
OFF-LIGHT-FAN-HIGH	F	Multi Contact	KS1-0159V/H	KS1-0182V/H	KS1-0205V/H	KS1-0228V/H	LF	\$99.00
OFF-ON-ATT.	C	1NO-1NC	KS1-0160V/H	KS1-0183V/H	KS1-0206V/H	KS1-0229V/H	LF	\$71.00
OFF-ON-IND. SERV.	C	1NO-1NC	KS1-0161V/H	KS1-0184V/H	KS1-0207V/H	KS1-0230V/H	LF	\$71.00
OFF-ON-M.G.	C	1NO-1NC	KS1-0162V/H	KS1-0185V/H	KS1-0208V/H	KS1-0231V/H	LF	\$71.00
OFF-ON-EMERG. SERV.	C	1NO-1NC	KS1-0163V/H	KS1-0186V/H	KS1-0209V/H	KS1-0232V/H	LF	\$71.00
OFF-ON-DOOR HOLD	C	1NO-1NC	KS1-0164V/H	KS1-0187V/H	KS1-0210V/H	KS1-0233V/H	LF	\$71.00
ACCESS-NORM-INSP	C	2NO-2NC	KS1-0421V/H	KS1-0422V/H			INS	\$77.00

SIGNAL FIXTURE COMPONENTS

Key Switch Modules

Medeco Security Modules

Square Halo: Model "SKB" & "SKW"

Run-Stop Key Switches

Model	Markings	Position	Contact Arrangement	St. Stl.	Mtz	Key Code	List Price
SKB	RUN-STOP	C	1NO-1NC	KS1-0280V/H	KS1-0281V/H	LF	\$71.00
SKW	RUN-STOP	C	1NO-1NC	KS1-0426V/H	KS1-0427V/H	LF	\$71.00
SKB	RUN-STOP	C	2NO-2NC	KS1-0419V/H		NNN	\$114.00
SKW	RUN-STOP	C	2NO-2NC	KS1-0420V/H		NNN	\$114.00

Medeco Security Flush Cylinder Modules

No Halo

Key Position Legend

A	2 Position Spring Return
B	2 Position - Removable In 1 Position
C	2 Position - Removable In 2 Position
D	3 Position Spring Return To Center Off
E	3 Position - Removable In 3 Position
F	4 Position - Removable In 4 Position
*	Specify Key Code



Flush Mounted

Cover Marking	Position	Contact Arrangement	St. Stl.	Mtz	Key Code	List Price
(Blank)/DN/UP	A	2NO	KS1-0283V/H	KS1-0295V/H	*	\$114.00
OFF-UP-DN-ACCESS	D	Multi Contact	KS1-0284V/H	KS1-0296V/H	INS	\$121.00
OFF-ON-ACCESS/OFF-ON-INSPECT.	C	1NO-1NC	KS1-0285V/H	KS1-0297V/H	INS	\$99.00
OFF-ON	B	1NO-1NC	KS1-0286V/H	KS1-0298V/H	*	\$99.00
OFF-ON	B	2NO	KS1-0287V/H	KS1-0299V/H	*	\$99.00
OFF-ON	C	1NO-1NC	KS1-0288V/H	KS1-0300V/H	*	\$99.00
OFF-ON	C	2NO	KS1-0289V/H	KS1-0301V/H	*	\$99.00
OFF-ON-LIGHT/OFF-ON-FAN	C	2NO	KS1-0291V/H	KS1-0303V/H	LF	\$99.00
OFF-LIGHT-FAN	E	Multi Contact	KS1-0292V/H	KS1-0304V/H	LF	\$121.00
LO-OFF-HI-FAN	E	Multi Contact	KS1-0293V/H	KS1-0305V/H	LF	\$121.00
OFF-LIGHT-FAN-HIGH	F	Multi Contact	KS1-0294V/H	KS1-0306V/H	LF	\$127.00
"OFF-ON" ELECT. EYE	C	1NO-1NC	KS1-0290V/H	KS1-0302V/H	LF	\$99.00
"OFF-ON" HIGH EYE						
"OFF-ON" LOW EYE						
"OFF-ON" ATT						
"OFF-ON" IND. SERV.						
"OFF-ON" M.G.						
"OFF-ON" EMERG. SERV.						
"OFF-ON" DOOR HOLD						

SIGNAL FIXTURE COMPONENTS

Key Switch Modules

Medeco Security Shell Mounted Modules

Cover Mounted Shell

Key Position Legend	
A	2 Position Spring Return
B	2 Position - Removable In 1 Position
C	2 Position - Removable In 2 Position
D	3 Position Spring Return To Center Off
E	3 Position - Removable In 3 Position
F	4 Position - Removable In 4 Position
*	Specify Key Code



Shell Mounted

Cover Marking	Position	Contact Arrangement	St. Stl.	Mtz	Key Code	List Price
(Blank)/DN/UP	A	2NO	KS1-0307V/H	KS1-0319V/H	*	\$136.00
OFF-UP-DN-ACCESS	D	Multi Contact	KS1-0308V/H	KS1-0320V/H	INS	\$142.00
OFF-ON-ACCESS/OFF-ON-INSPECT.	C	1NO-1NC	KS1-0309V/H	KS1-0321V/H	INS	\$121.00
OFF-ON	B	1NO-1NC	KS1-0310V/H	KS1-0322V/H	*	\$121.00
OFF-ON	B	2NO	KS1-0311V/H	KS1-0323V/H	*	\$121.00
OFF-ON	C	1NO-1NC	KS1-0312V/H	KS1-0324V/H	*	\$121.00
OFF-ON	C	2NO	KS1-0313V/H	KS1-0325V/H	*	\$121.00
OFF-ON-LIGHT/OFF-ON-FAN	C	2NO	KS1-0315V/H	KS1-0327V/H	LF	\$121.00
OFF-LIGHT-FAN	E	Multi Contact	KS1-0316V/H	KS1-0328V/H	LF	\$142.00
LO-OFF-HI-FAN	E	Multi Contact	KS1-0317V/H	KS1-0329V/H	LF	\$142.00
OFF-LIGHT-FAN-HIGH	F	Multi Contact	KS1-0318V/H	KS1-0330V/H	LF	\$148.00
"OFF-ON" ELECT. EYE "OFF-ON" HIGH EYE "OFF-ON" LOW EYE "OFF-ON" ATT "OFF-ON" IND. SERV. "OFF-ON" M.G. "OFF-ON" EMERG. SERV. "OFF-ON" DOOR HOLD	C	1NO-1NC	KS1-0314V/H	KS1-0326V/H	LF	\$121.00

Key Switch
Modules

Medeco "O.S." Shell Mounted Replacement Modules

KS1-0342N



MCM-KT

"MCM-KT" Medeco Replacement Key Switch Contact Module Kit, OFF-ON Type, Vertical Or Horizontal, (1) N.O. (1) N.C. Contacts, With Mounting Screws 1 3/4" Lg. & 1 5/8" Lg. Standoffs
List Price: \$60.00

KS1-0343N



MCM-SR-KT

"MCM-SR-KT" Medeco Replacement Key Switch Contact Module Kit, Spring Return, (2) N.C. Contacts, With Mounting Screws 1 3/4" Lg. & 1 5/8" Lg. Standoffs
List Price: \$80.00

KS1-0344N



MCM-HA-KT

"MCM-HA-KT" Medeco Replacement Key Switch Contact Module Kit, 3 Position, Spring Return From Left And Right Side To Center Off, For Hoistway Access Use, With Mounting Screws 1 3/4" Lg. & 1 5/8" Lg. Standoffs
List Price: \$102.00

SIGNAL FIXTURE COMPONENTS

Key Switch Modules

Various Specialty Key Switch Modules

Round Halo: Model "RKB" & "RKR"

Key Position Legend	
A	2 Position Spring Return
B	2 Position - Removable In 1 Position
C	2 Position - Removable In 2 Position
D	3 Position Spring Return To Center Off
E	3 Position - Removable In 3 Position
F	3 Position - Removable In 3 Position (D.P.D.T)



St. Stl. RKR
Red Halo



St. Stl. RKB
Red Halo



SST RKB
Black Halo

Emergency Power Switches

Model	Markings	Position	Contact Arrangement	St. Stl.	Key Code	List Price
RKR	AUTO-ON-EMERG.POWER	C	1NO-1NC	KS3-0098V/H	1617	\$71.00
RKR	AUTO-ON-EMERG.POWER	C	1NO-1NC	KS3-0100V/H	Yale 2642	\$231.00
RKR	AUTO-ON-EMERG.POWER	C	1NO-1NC	KS3-0104V/H	Medeco FS	\$108.00
RKR	1-AUTO-2-EMERG.POWER	E	Circuit No.1010	KS3-0097V/H	1617	\$71.00
RKR	1-AUTO-2-EMERG.POWER	E	Circuit No.1010	KS3-0099V/H	Yale 2642	\$231.00
RKR	1-AUTO-2-EMERG.POWER	E	Circuit No.1010	KS3-0103V/H	Medeco FS	\$108.00

Access/Inspection Switches

Model	Markings	Position	Contact Arrangement	St. Stl.	Key Code	List Price
RKB	ACCESS-NORM-INSP	F	D.P.D.T.	KS1-0351V/H	1612	\$77.00
RKB	ACCESS-NORM-INSP	E	Circuit No.1010	KS1-0344V/H	HA 1612	\$77.00
RKB	ACCESS-NORM-INSP	E	Multi Contact	KS1-0354V/H	1612	\$56.00

Car Lobby Key Switch

Model	Markings	Position	Contact Arrangement	St. Stl.	Key Code	List Price
RKB or SKB	OFF-CAR LOBBY -ON	C	1NO-1NC	KS3-0142V/H	LF	\$108.00

Foreign Language Key Switches

Markings are available upon request. Special order only.

SIGNAL FIXTURE COMPONENTS

Key Cylinder Assemblies

Medeco Security Key Cylinder Assemblies With Threaded Stud



Includes (2) keys (Refer to the column below for Key Code)
All Cylinders are R63C series

Key Cylinders - Stainless Steel Finish

Part No.	Medeco Key	List Price	Part No.	Medeco Key	List Price	Part No.	Medeco Key	List Price
KCL-0007N	A	\$68.00	KCL-0028N	V	\$68.00	KCL-0057N	PP	\$68.00
KCL-0008N	B	\$68.00	KCL-0029N	W	\$68.00	KCL-0058N	QQ	\$68.00
KCL-0009N	C	\$68.00	KCL-0031N	Y	\$68.00	KCL-0059N	RR	\$68.00
KCL-0010N	D	\$68.00	KCL-0032N	Z	\$68.00	KCL-0061N	TT	\$68.00
KCL-0012N	F	\$68.00	KCL-0042N	AA	\$68.00	KCL-0062N	UU	\$68.00
KCL-0013N	G	\$68.00	KCL-0043N	BB	\$68.00	KCL-0063N	VV	\$68.00
KCL-0014N	H	\$68.00	KCL-0044N	CC	\$68.00	KCL-0064N	WW	\$68.00
KCL-0015N	I	\$68.00	KCL-0046N	EE	\$68.00	KCL-0065N	XX	\$68.00
KCL-0021N	O	\$68.00	KCL-0047N	FF	\$68.00	KCL-0066N	YY	\$68.00
KCL-0022N	P	\$68.00	KCL-0048N	GG	\$68.00	KCL-0067N	ZZ	\$68.00
KCL-0023N	Q	\$68.00	KCL-0049N	HH	\$68.00	KCL-0068N	LF	\$68.00
KCL-0024N	R	\$68.00	KCL-0055N	NN	\$68.00	KCL-0069N	FS	\$68.00
KCL-0025N	S	\$68.00	KCL-0056N	OO	\$68.00	KCL-0070N	INS	\$68.00
KCL-0027N	U	\$68.00						

Key Cylinders - Stainless Steel Finish (Triple Letter)

Part No.	Medeco Key	List Price	Part No.	Medeco Key	List Price	Part No.	Medeco Key	List Price
KCL-0075N	AAA	\$68.00	KCL-0082N	KKK	\$68.00	KCL-0088N	SSS	\$68.00
KCL-0076N	BBB	\$68.00	KCL-0083N	LLL	\$68.00	KCL-0089N	TTT	\$68.00
KCL-0077N	CCC	\$68.00	KCL-0133N	NNN*	\$68.00	KCL-0090N	UUU	\$68.00
KCL-0078N	DDD	\$68.00	KCL-0084N	OOO	\$68.00	KCL-0091N	VVV	\$68.00
KCL-0079N	GGG	\$68.00	KCL-0085N	PPP	\$68.00	KCL-0092N	WWW	\$68.00
KCL-0080N	HHH	\$68.00	KCL-0086N	QQQ	\$68.00	KCL-0093N	XXX	\$68.00
KCL-0081N	III	\$68.00	KCL-0087N	RRR	\$68.00	KCL-0094N	ZZZ	\$68.00

* **Note:** "NNN" Key is used for Run-Stop key switch.

Key Cylinders - Stainless Steel Finish (TYPE "TL")

"TL" Tenant Lock

Does not include keys.
Any "letter" key will operate this key cylinder



Part No.	Description	List Price
KCL-0074N	Type "TL" Cylinder Assembly, Medeco, Stainless Steel Finish	\$68.00

SIGNAL FIXTURE COMPONENTS

Key Switches (Electrical Contact)

Medeco Security Electrical Key Switch Assemblies With (6) Leads

All cylinders are R63C Series

Includes (2) R63C Series Keys
(2) N.O. (2) N.C. Contacts



Note: Key codes shown below are normally in stock. Any Medeco key codes not shown that were supplied by G.A.L. can be special ordered and may take up to 3 weeks to ship.

Electrical Switch - Spring Return

Part No.	Function	Medeco Key	List Price
KS2-0001N	2 Position - Key Removable In: 1 Position	AA	\$124.00
KS2-0002N	2 Position - Key Removable In: 1 Position	BB	\$124.00
KS2-0003N	2 Position - Key Removable In: 1 Position	CC	\$124.00
KS2-0004N	2 Position - Key Removable In: 1 Position	DD	\$124.00
KS2-0005N	2 Position - Key Removable In: 1 Position	EE	\$124.00
KS2-0006N	2 Position - Key Removable In: 1 Position	MM	\$124.00

Electrical Switch - Key Removable "Off" Only

Part No.	Function	Medeco Key	List Price
KS2-0007N	2 Position - Key Removable In: 1 Position	FF	\$108.00
KS2-0008N	2 Position - Key Removable In: 1 Position	GG	\$108.00
KS2-0009N	2 Position - Key Removable In: 1 Position	HH	\$108.00
KS2-0010N	2 Position - Key Removable In: 1 Position	JJ	\$108.00
KS2-0011N	2 Position - Key Removable In: 1 Position	KK	\$108.00

Electrical Switch - Key Removable Both Postions

Part No.	Function	Medeco Key	List Price
KS2-0012N	2 Position - Key Removable In: 2 Position	QQ	\$108.00
KS2-0013N	2 Position - Key Removable In: 2 Position	RR	\$108.00
KS2-0014N	2 Position - Key Removable In: 2 Position	SS	\$108.00
KS2-0015N	2 Position - Key Removable In: 2 Position	TT	\$108.00
KS2-0016N	2 Position - Key Removable In: 2 Position	UU	\$108.00
KS2-0017N	2 Position - Key Removable In: 2 Position	VV	\$108.00
KS2-0018N	2 Position - Key Removable In: 2 Position	WW	\$108.00
KS2-0019N	2 Position - Key Removable In: 2 Position	XX	\$108.00
KS2-0020N	2 Position - Key Removable In: 2 Position	YY	\$108.00
KS2-0021N	2 Position - Key Removable In: 2 Position	ZZ	\$108.00
KS2-0039N	2 Position - Key Removable In: 2 Position	LF	\$108.00

Massachusetts "EMT" Medical Emergency Key Switch



Square



Round

Key Not Supplied
With Switch

Part No.	Function	Description	List Price
KS2-0029N	2 Position - Key Removable In: 1 Position	Massachusetts "EMT" Key Switch With Blue Square Insert Marked "MEDICAL EMERGENCY"	\$162.00
KS2-0022N	3 Position - Key Removable In: 1 Position	Massachusetts "EMT" Key Switch With Blue Round Insert Marked "MEDICAL EMERGENCY"	\$162.00

Key Switches
(Electrical Contact)

SIGNAL FIXTURE COMPONENTS

Key Switches (Electrical Contact)

Chicago Specialty Electrical Key Switch Assemblies With Terminals

Includes a set of (2) Keys
(Refer to the column below for Key Code)



Electrical Switch - Spring Return

Part No.	Function	Model No	Chicago Key	List Price
KS2-0023N	2 Position - Key Removable In: 1 Position	2174-70 KA	2111	\$87.00
KS2-0026N	2 Position - Key Removable In: 1 Position	2174-70	2136	\$87.00









Electrical Switch - Key Removable Both Postions

Part No.	Function	Model No	Chicago Key	List Price
KS2-0024N	2 Position - Key Removable In: 2 Position	2174-2 KA	2111	\$99.00
KS2-0025N	2 Position - Key Removable In: 2 Position	3535 KA	2111	\$71.00
KS2-0027N	2 Position - Key Removable In: 2 Position	3535	2136	\$71.00
KS2-0028N	2 Position - Key Removable In: 2 Position	2174-2	2136	\$99.00

Keys, Cylinders

Note: Call G.A.L. Sales for key Part No or check G.A.L. website, "Search Parts", "Search Key", lookup key code, find Part No.
(Some G.A.L. standard keys may have these letters on them ("G", "X", or "P"). This does not affect the key code No.)

Key Switches
(Electrical Contact)

Medeco	Medeco	GAL (Standard)	Yale
		 <i>"G", "X", or "P" on Key. See Note</i>	
Key, Medeco Specify Key Code: A-Z, AA-ZZ, AAA-ZZZ, INS, HA, FS List Price: \$12.40	Key, Medeco Key Code: MK Key (Master) List Price: \$15.40	Key, G.A.L. Standard (Chicago) Specify Key Code: 1601, 1610, 1612, 1613, 1615, 1617, 1618 List Price: \$3.20	Key, Yale Specify Key Code: 255, 2642, 3502 List Price: \$12.40
Hudson	ACE	Chicago	Illinois
			
Key, Hudson Specify Key Code: 501, 502, 503 List Price: \$15.40	Key, ACE (Northeast) Specify Key Code: BFD-1, FEO-K1 List Price: \$15.40	Key, Chicago Specify Key Code: 2007, 2111, 2136, 2387, 2389 List Price: \$9.40	Key, Illinois (Northeast) Key Code: SC 1000 List Price: \$9.40

SIGNAL FIXTURE COMPONENTS

Keyed Cabinet Locks

Fire Service Cabinet Lock Assemblies

Note: Left Hand (L) Shown, Right Hand (R) Opposite

KCL-0114L/R



Includes (2) 1617 Keys

Lock Assembly, 2004 FS Cabinet Door-Chicago, Chicago Key # 1617 With Latch Plate
List Price: \$111.00

KCL-0115L/R



Includes (2) WD01 Keys

Lock Assembly, 2004 FS Cabinet Door-Adams, Adams Key # WD-01 With Latch Plate
List Price: \$278.00

KCL-0116L/R



Includes (2) BFD-1 Keys

Lock Assembly, 2004 FS Cabinet Door-Ace, Ace Key # BFD-1 With Latch Plate
List Price: \$278.00

KCL-0117L/R



Includes (2) R63C-FS Keys

Lock Assembly, 2004 FS Cabinet Door-Medeco Stainless Steel, Medeco Key # FS With Latch Plate
List Price: \$148.00

KCL-0118L/R



Includes (2) 3502 Keys

Lock Assembly, 2004 FS Cabinet Door-Yale, Yale Key # 3502 With Latch Plate
List Price: \$278.00

KCL-0146L/R



Includes (2) R63C-FS Keys

Lock Assembly, 2004 FS Cabinet Door-Medeco Muntz, Medeco Key # FS With Latch Plate
List Price: \$148.00

KCL-0144L/R



Includes (2) FEO-K1 Keys

Lock Assembly, 2007 FS Cabinet Door-FEO, FEO Key # FEO-K1 With Latch Plate
List Price: \$278.00

Latch Plate



Latch Plate Shown Here Is Supplied With Each Assembly Listed

Keyed Cabinet Locks

Utility Service Cabinet Lock Assemblies

KCL-0097N



Includes (2) R63C-LF Keys

Lock, Medeco Service Cabinet Cover Stainless Steel, Medeco Key # LF, 2 Position, With Shell/Cam Flag
List Price: \$68.00

KCL-0145N



Includes (2) R63C-LF Keys

Lock, Medeco Service Cabinet Cover Muntz, Medeco Key # LF, 2 Position, With Shell/Cam Flag
List Price: \$68.00

KS2-0035N



Includes (2) 2136 Keys

Cylinder, Service Cabinet Chicago Key # 2136, 2 Position-Removable In 2, With "Z" Cam Flag
List Price: \$73.00



Includes (2) 1601 Keys

Part No.	Description	List Price
KCL-0125N	Lock, Chicago Service Cabinet Cover, Chicago Key # 1617 With Cylinder-Sleeve & Cam Flag	\$36.00
KS2-0044N	Lock, Chicago Service Cabinet Cover, Chicago Key # 1601 With Cylinder-Sleeve & Cam Flag	\$36.00

SIGNAL FIXTURE COMPONENTS

Capacity Plates



All capacity plates are 1 1/8" x 3". List price: \$31.00

Part No.	Capacity (lbs)
HP-0105N	1000
HP-0153N	1200
HP-0106N	1500
HP-0111N	1800

Part No.	Capacity (lbs)
HP-0107N	2000
HP-0112N	2100
HP-0108N	2500
HP-0109N	3000

Part No.	Capacity (lbs)
HP-0110N	3500
HP-0113N	4000
HP-0114N	4500
HP-0115N	5000

Handicap Plates

FLANGE MOUNTED PLATES

Part No. Prefix: HP-
(1) & (2) Characters

ZINC CASTED w/ FLANGE

Part No. Prefix: HP1-
WELD NUT

CRESCENT ZINC CASTED

(3) Characters

STUD MOUNTED PLATES

Part No. Prefix: HP-

THREADED STUD

(1) & (2) Characters
EDM

THREADED STUD

(3) Characters
EDM

THREADED STUD

EDM

MOUNTING PLATE & HARDWARE		
Part#	"D" Dim & Characters	List Price
HPA-0001N	D=2" - (1) & (2) Characters	\$9.40
HPA-0002N	D=2 1/4" - (3) Characters	\$9.40

***MT'G Plate Included with Handicap Plate**

List Price
 (2) Character: **\$18.60** **Special Marking**
 (3) Character: **\$37.00** **Carbon Master: \$143.00**

Ordering Removable Handicap Plates (All handicap plates have Braille markings)

Note: Due to the large variation of handicap markings & plates contact G.A.L. sales for ordering support.

- 1) **Specify type of plate:**
 - Zinc casted with flanges
 - Crescent casted with flanges & weld nut
 - EDM type with stud & mounting plate
- 2) **Specify marking, numerals or symbols:**
 - Does egress "Star" have to be added
 - Make note of the cutout size or the space of the replacement plate
 - Single & double markings fit in a cutout 1 5/16" square, and triple markings fit in a 1 3/4 x 1 5/16" cutout
- 3) **Specify if handicap plate has black background with natural stainless steel finished marking or marking painted white.**
(California jobs, as well as some coverless, Muntz metal, & mirror finished jobs, have had white painted markings.)
- 4) **Specify station cover plate finish that handicap plate is being used on:** Stainless steel, Muntz, Bronze, or Mirror.

Capacity & Handicap

SIGNAL FIXTURE COMPONENTS

Emergency Phones

Hands Free Emergency Phones

Surface Mount



Note: All cover mounted emergency telephones come with voice ID.

Size: 5 3/8" W x 7 1/4" H x 1 3/8" D

Part No.	Material - Finish	Button Model	List Price
TEL-0002N	St. Stl. - #4 Satin	VPMC	\$780.00
TEL-0003N	Mtz - #4 Satin	VPMC	\$923.00

Flange Mount



Size: 4 1/4" W x 7 1/4" H x 1 1/2" D

Part No.	Material - Finish	Button Model	List Price
TEL-0004N	Cold Rolled Steel - Red Paint	VPMC	\$676.00

Cabinet Flush Mount - With Phone

Left hand cabinet shown, right hand opposite

Model 1013-TI: includes TEL-0004N phone

Cover Size: 10 1/8" W x 13 3/8" H

Box Depth: 3 1/2"



Part No.	Material - Finish	Button Model	List Price
TEL-0045L/R	St. Stl. - #4 Satin	VPB	\$832.00
TEL-0046L/R	Mtz - #4 Satin	VPB	\$866.00
TEL-0047L/R	St. Stl. - #8 Mirror	VPB	\$1,016.00
TEL-0048L/R	Mtz - #8 Mirror	VPB	\$1,050.00

Cover Flush Mount - With Engraving

Cover Size: 6" W x 8 3/4" H

Box Depth: 1 5/8"



Part No.	Material - Finish	Button Model	List Price
TEL-0063N	St. Stl. - #4 Satin	VPMC	\$739.00

SIGNAL FIXTURE COMPONENTS

Emergency Phones

Hands Free Emergency Phones

Cover Flush Mount - Without Engraving



Model 1013-T

Cover Size:
10 1/8" W x 13 3/8" H
Box Depth: 3 1/2"

Part No.	Material - Finish	Button Model	List Price
TEL-0005N	St. Stl. - #4 Satin	RWB	\$741.00
TEL-0006N	St. Stl. - #4 Satin	RBW	\$741.00
TEL-0007N	St. Stl. - #4 Satin	SWB	\$741.00
TEL-0008N	St. Stl. - #4 Satin	SBW	\$741.00
TEL-0009N	St. Stl. - #4 Satin	RWW	\$741.00
TEL-0010N	St. Stl. - #4 Satin	SWW	\$741.00
TEL-0011N	St. Stl. - #4 Satin	VP	\$754.00
TEL-0012N	St. Stl. - #4 Satin	VPB	\$754.00
TEL-0013N	St. Stl. - #4 Satin	VPW	\$754.00
TEL-0014N	St. Stl. - #4 Satin	SH	\$754.00
TEL-0015N	Mtz - #4 Satin	RWB	\$775.00
TEL-0016N	Mtz - #4 Satin	RBW	\$775.00
TEL-0017N	Mtz - #4 Satin	SWB	\$775.00
TEL-0018N	Mtz - #4 Satin	SBW	\$775.00
TEL-0019N	Mtz - #4 Satin	RWW	\$775.00
TEL-0020N	Mtz - #4 Satin	SWW	\$775.00
TEL-0021N	Mtz - #4 Satin	VP	\$788.00
TEL-0022N	Mtz - #4 Satin	VPB	\$788.00
TEL-0023N	Mtz - #4 Satin	VPW	\$788.00
TEL-0024N	Mtz - #4 Satin	SH	\$788.00

Part No.	Material - Finish	Button Model	List Price
TEL-0025N	St. Stl. - #8 Mirror	RWB	\$917.00
TEL-0026N	St. Stl. - #8 Mirror	RBW	\$917.00
TEL-0027N	St. Stl. - #8 Mirror	SWB	\$917.00
TEL-0028N	St. Stl. - #8 Mirror	SBW	\$917.00
TEL-0029N	St. Stl. - #8 Mirror	RWW	\$917.00
TEL-0030N	St. Stl. - #8 Mirror	SWW	\$917.00
TEL-0031N	St. Stl. - #8 Mirror	VP	\$938.00
TEL-0032N	St. Stl. - #8 Mirror	VPB	\$938.00
TEL-0033N	St. Stl. - #8 Mirror	VPW	\$938.00
TEL-0034N	St. Stl. - #8 Mirror	SH	\$938.00
TEL-0035N	Mtz - #8 Mirror	RWB	\$951.00
TEL-0036N	Mtz - #8 Mirror	RBW	\$951.00
TEL-0037N	Mtz - #8 Mirror	SWB	\$951.00
TEL-0038N	Mtz - #8 Mirror	SBW	\$951.00
TEL-0039N	Mtz - #8 Mirror	RWW	\$951.00
TEL-0040N	Mtz - #8 Mirror	SWW	\$951.00
TEL-0041N	Mtz - #8 Mirror	VP	\$972.00
TEL-0042N	Mtz - #8 Mirror	VPB	\$972.00
TEL-0043N	Mtz - #8 Mirror	VPW	\$972.00
TEL-0044N	Mtz - #8 Mirror	SH	\$972.00

Hands Free Emergency Phone Parts

Cabinet Flush Mounted (No Phone)



Model 1013-TI

Left hand cabinet shown, right hand opposite

Cover Size: 10 1/8" W x 13 3/8" H
Box Depth: 3 1/2"

Part No.	Material - Finish	List Price
TEL-0052L/R	St. Stl. - #4 Satin	\$156.00
TEL-0053L/R	Mtz - #4 Satin	\$190.00

Part No.	Material - Finish	List Price
TEL-0054L/R	St. Stl. - #8 Mirror	\$332.00
TEL-0055L/R	Mtz - #8 Mirror	\$366.00

Push Button Module & Parts Replacement



See push button module section to replace "VPMC-14" Part No. PB3-0001N or PB3-0002N, or any of the push buttons used for the model 1013-T cover flush mounted phone box in the "PB1" or "PB2" push button section, marked "PUSH TO CALL".

SIGNAL FIXTURE COMPONENTS

Emergency Phones

Hands Free Emergency Phone Parts

Line Concentrators

TEL-0061N



Concentrator, Viking LC-2 Line
List Price: \$559.00

TEL-0082N



Concentrator, Viking FAXJ-1000 Line
List Price: \$450.00

TEL-0099N



Concentrator, Viking LC-6 Line
List Price: \$818.00

Line Communications Failure Station

TEL-0100N



Line Communications Failure Station, Viking LV-1K
List Price: \$213.00

TEL-0101N



line Status Monitor, LM-24D Viking
List Price: \$357.00

TEL-0090N



"310" Comm Failure Station, Chicago Cylinder
List Price: \$140.00

TEL-0091N



"310" Comm Failure Station, Medeco Cylinder
List Price: \$175.00

Telephone Replacements For Viking



Note: The 5400 phone was replaced by the 6400 phone.

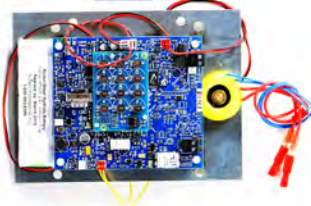
Part No.	Description	List Price
TEL-0066N	Telephone, Model 6400 Emergency, With Mounting Plate & Voice ID	\$507.00

Telephone Replacements For K-TECH

FRONT



BACK



Requirement: All elevators must meet the 2010 ASME A17.1/CSA B44-10 Elevator Code, Section 2.27 Emergency Operation and Signaling Devices.

Part No.	Description	List Price
TEL-0102N	Phone, K-TECH Building Powered, Used With Line Loss Monitor	\$550.00
TEL-0098N	Phone, K-TECH Building Powered, Used With Line Loss Monitor, Water Resistant (Use For Water Resistant & N.Y.C.H.A. Jobs)	\$640.00

SIGNAL FIXTURE COMPONENTS

Emergency Phones

Hands Free Emergency Phone Parts

Telephone Replacements For K-TECH

TEL-0088N



Device, K-TECH SUREcom Machine Room Communication
List Price: \$559.00

TEL-0089N



Phone, K-TECH Machine Room/Lobby
List Price: \$100.00

TEL-0094N



ET98, K-TECH Line Lost Indicator
List Price: \$200.00

Telephone Replacements For WURTEC



Part No.	Description	List Price
TEL-0074N	Telephone, Model 7400 Emergency, WURTEC Program Hands Free Telephone	\$757.00

Hinges



Part No.	Cover Length	Hinge Length	List Price
CST3-0021N	10 5/8"	8 1/4"	\$37.00
CST3-0019N	12 5/8"	10 1/4"	\$37.00
Contact G.A.L. Sales	14 5/8"	12 1/4"	\$37.00

CST3-0026N



Hinge, 5 7/8" Key Repository Box Cover
List Price: \$37.00

CST3-0013L/R



Hinge, Car Station Mechanical Mounting Top/Bottom Mignon Assembly, 2-1/2" Deep Box
List Price: \$18.60

CST3-0017L/R



Hinge, Car Station Mechanical Mounting Top/Bottom Mignon Assembly
List Price: \$18.60

Emergency Phone

SIGNAL FIXTURE COMPONENTS

Hinges

CST3-0023L/R



Hinge, Car Station WP Mechanical Mounting
Top/Bottom
List Price: \$18.60

COP-0029N



Hinge, Invisible Mortise Brass, With Mounting
Brackets
List Price: \$30.00

Handle - Phone Box Cover



Part No.	Description	List Price
HP-0068N	Handle, Phone Box Cover, With Braille Marking	\$24.80

SIGNAL FIXTURE COMPONENTS

Indicators

Position Indicator Inserts With Shield



Inserts 1 1/8" Round

Part No.	Marking	List Price
PID1-0001N	(Green Arrow)	\$15.00
PID1-0002N	(Red Arrow)	\$15.00
PID1-0003N	1	\$15.00
PID1-0004N	2	\$15.00
PID1-0005N	3	\$15.00
PID1-0006N	4	\$15.00
PID1-0007N	5	\$15.00
PID1-0008N	6	\$15.00
PID1-0009N	7	\$15.00
PID1-0010N	8	\$15.00
PID1-0011N	9	\$15.00

Part No.	Marking	List Price
PID1-0012N	10	\$15.00
PID1-0013N	11	\$15.00
PID1-0014N	12	\$15.00
PID1-0015N	13	\$15.00
PID1-0016N	14	\$15.00
PID1-0017N	15	\$15.00
PID1-0018N	16	\$15.00
PID1-0019N	17	\$15.00
PID1-0020N	18	\$15.00
PID1-0021N	19	\$15.00

Part No.	Marking	List Price
PID1-0022N	20	\$15.00
PID1-0023N	SS	\$15.00
PID1-0024N	SB	\$15.00
PID1-0025N	RC	\$15.00
PID1-0026N	LL	\$15.00
PID1-0027N	L	\$15.00
PID1-0028N	PH	\$15.00
PID1-0029N	M	\$15.00
PID1-0030N	B	\$15.00
PID1-0031N	G	\$15.00

Inserts 1 1/16" Square

Part No.	Marking	List Price
PID2-0001N	(Green Arrow)	\$15.00
PID2-0002N	(Red Arrow)	\$15.00
PID2-0003N	1	\$15.00
PID2-0004N	2	\$15.00
PID2-0005N	3	\$15.00
PID2-0006N	4	\$15.00

Part No.	Marking	List Price
PID2-0007N	5	\$15.00
PID2-0008N	6	\$15.00
PID2-0009N	7	\$15.00
PID2-0010N	8	\$15.00
PID2-0011N	9	\$15.00

Part No.	Marking	List Price
PID2-0012N	10	\$15.00
PID2-0013N	PH	\$15.00
PID2-0014N	LL	\$15.00
PID2-0015N	B	\$15.00
PID2-0016N	L	\$15.00

Indicators

Indicator Lights

PB5-0018H



Module, Indicator 1 3/8" Dia, Marked: "Gate Lock Bypass On" 120 Volt PSB
List Price: \$85.00

PB5-0019H



Module, Indicator 1 3/8" Dia, Marked: "Door Lock Bypass On" 120 Volt PSB
List Price: \$85.00

PB5-0007N







Base, Fire Service Light, With 120 PSB-LED & Holder
List Price: \$18.00

SIGNAL FIXTURE COMPONENTS

Indicators

Fire Service Indicator Modules

Horizontal Image Shown

PB5-0005H/V	PB5-0006H/V	PB5-0008H/V	PB5-0009H/V
			
Module, RRW Fire Emblem 1 3/8" Dia Fire Service Light-120V PSB-LED List Price: \$33.00	Module, SRW Fire Emblem 1 5/16" Square Fire Service Light- 120V PSB-LED List Price: \$33.00	Insert, RRW Fire Emblem 1 3/8" Dia List Price: \$15.40	Insert, SRW Fire Emblem 1 5/16" Square List Price: \$15.40

Position Indicator Digital Display Boards

Digital Display - 1" H-1CH and 1" H-2CH with Arrow

Part No.	Description	List Price
CEE-0005N	Display, Red LED Digital 1" H-1CH With Arrow (MSV11)	\$339.00
CEE-0075N	Display, Blue LED Digital 1" H-1CH With Arrow, With Grey Lens (MSV11)	\$401.00
CEE-0079N	Display, Green LED Digital 1" H-1CH With Arrow, With Grey Lens (MSV11)	\$224.00
CEE-0006N	Display, Red LED Digital 1" H-2CH With Arrow (MSV21)	\$339.00
CEE-0071N	Display, Blue LED Digital 1" H-2CH With Arrow & Grey Lens (MSV21)	\$401.00
CEE-0080N	Display, Green LED Digital 1" H-2CH With Arrow & Grey Lens (MSV21)	\$215.00

Digital Display - 2.2" H-2CH with Arrow

Part No.	Description	List Price
CEE-0002N	Display, Red LED Digital 2.2" H-2CH With Arrow (MH222)	\$401.00
CEE-0070N	Display, Blue LED Digital 2.2" H-2CH With Arrow	\$401.00
CEE-0085N	Display, Red LED Digital 2.2" H-2CH With Arrow, (MV22X)	\$325.00

Digital Display - 2.5" H with Arrow

Part No.	Description	List Price
CEE-0078N	Display, LED Digital 2.5" H With Arrow, Lantern Vertical, (SA125) Includes Lens	\$258.00

Digital Display - 2.2" H-3CH with Arrow

Part No.	Description	List Price
CEE-0004N	Display, Red LED Digital 2.2" H-3CH With Arrow	\$255.00

Digital Display - 3" H with Arrow

Part No.	Description	List Price
CEE-0031N	Display, LED Digital 3" H With Arrow, Lantern Hall (ASB30-XZXG)	\$75.50
CEE-0033N	Display, LED Digital 3" H With Arrow, Lantern Hall (ASB30-XMAG)	\$127.50
CEE-0034N	Display, LED Digital 3" H With Arrow, Lantern Car (ASB30-MTX)	\$75.50

Indicators

SIGNAL FIXTURE COMPONENTS

Indicators

Indicator Light Modules

Visible Only When Illuminated

"CALL RECEIVED"

PB5-0048H/V **PB5-0049H/V**

**Super Red LED Board
LED-0006N**

Module, 1 3/8" Dia Round or 1 5/16" Square Bronze Window Indicator Light (For Phone Only)

- Visible Only When Illuminated
- Marked "CALL RECEIVED"
- Horizontal or Vertical

- Super Red LED Board Included -

LIST: \$67.00

**Round Lens Insert
(Bronze Plexiglas)
LNS-0002N**

OR

**Square Lens Insert
(Bronze Plexiglas)
LNS-0001N**

**Film (Call Received)
FLM-0001H/V**

**Film (Advise Marking)
FLM-0002H/V**

**Light Filter
LNS-0031N**

Module Base

**Mounting Screw
(Rnd Hd 8-32 x 1 1/8" Lg)**

**Binding-Washer Steel
Plated Screw
Used for Mounting
Contact/LED Boards,
8-32 x 5/16" Lg**

"VARIOUS MARKINGS"

PB5-0046H/V **PB5-0047H/V**

**Multi-Color LED Board
PBLB-0006AN**

Module, 1 3/8" Dia Round or 1 5/16" Square Bronze Window Indicator Light

- Visible Only When Illuminated
- Advise Film Markings
- PBLB-0006AN LED Board Included, Multi-Color 12V-120V AC/DC
- Horizontal or Vertical

LIST: \$82.00





COMMON FILM MARKINGS:

Indicators

SIGNAL FIXTURE COMPONENTS

Indicators

Films & Holders - Visible When Illuminated

<p>FLM-0001H/V</p>  <p>Film, Visible Only When Illuminated Marked "Call Received" With Phone Symbol, For 1 3/8" Dia & 1 5/16" Square Bronze Plexiglas Indicator Module List Price: \$10.00</p>	<p>FLM-0002H/V</p>  <p>Film, Visible Only When Illuminated, Marked, For 1 3/8" Dia & 1 5/16" Square Bronze Plexiglas Indicator Module. Advise Marking: List Price: \$10.00</p>	<p>FLM-0003N</p>  <p>Film, Multi-Character Display Indicator. Advise Markings Required. (Max. 8 Characters With No Arrows, 6 Characters With Up-Down Arrows) List Price: \$28.00</p>	<p>LNS-0005N</p>  <p>Holder, Lamp Shield, 7 3/4" x 4" x 1/8", Aluminum Plate With 1" OD x 1/2" Lg Aluminum Tubing Light Shield List Price: \$12.00</p>
--	--	---	--



Lens - Visible When Illuminated

<p>LNS-0001N</p>  <p>Lens, 1 5/16" Square Bronze Plexiglas Insert List Price: \$30.00</p>	<p>LNS-0002N</p>  <p>Lens, 1 3/8" Round Dia. Bronze Plexiglas Insert List Price: \$30.00</p>	<p>LNS-0003N</p>  <p>Lens, 7 1/2" X 3" Red Plexiglas, For Digital Display List Price: \$47.00</p>	<p>LNS-0004N</p>  <p>Lens, 7 1/2" X 3" Bronze Plexiglas, For Multi Character Display List Price: \$47.00</p>
---	--	--	--



Lens - Molded Lantern

<p>PMDG-0032N</p>  <p>Description Lens, 2 1/2" Arrow Molded Lantern (If Required Colored Filter # F1 Sold Separately) List Price: \$18.60</p>	<p>PMDG-0033N</p>  <p>Description Lens, 3" Dia. Round Molded Lantern (If Required Colored Filter # F2 Sold Separately) List Price: \$18.60</p>
--	---

Lens - Vandal Resistant Lantern

<p>LNS-0016N</p>  <p>Description Lens, Plexiglas White 9 Dot, Vandal Resistant Size: 2 1/2" W x 2 3/4" H List Price: \$48.00</p>	<p>LNS-0017N</p>  <p>Description Lens, Plexiglas White 3 Dot, Vandal Resistant Size: 2 1/2" W x 3 1/8" H List Price: \$48.00</p>
---	---

Filters - Lantern Lens

<p>F1 2 1/2" Lantern Arrow Lens</p>  <p>Part No. • LNS-0011N White • LNS-0012N Green • LNS-0014N Red</p> <p>Description Filter, 2 5/8" x 2 5/8" For Lantern Arrow Lens List Price: \$6.00</p>	<p>F2 3" Dia Molded Round Lantern Lens</p>  <p>Part No. • LNS-0033N Green • LNS-0032N Red</p> <p>Description Filter, 2 3/4" x 3 1/8" For Molded Round Lantern Lens # PMDG-0033N List Price: \$6.00</p>
---	--

Indicators

SIGNAL FIXTURE COMPONENTS

Lamps

Lamp Sockets & Holders

LMP-0033N



Holder, "Dialight" Spring Clip
List Price: \$2.40

LMP-0034N



Socket, "Dialight" Lamp
List Price: \$2.40

LMP-0037L/R



Socket, 6" Leads 12-255 Lamp Snap In Light
List Price: \$6.20

LMP-0038N



Socket, PSB Pos-Indicator Lamp With Screw
List Price: \$6.20

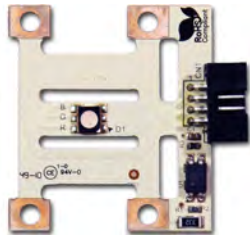
PMDG-0026N



Holder, Push Button Lamp, For PSB Type Lamp
List Price: \$1.40

LED Printed Circuit Boards

GALX-1095AN



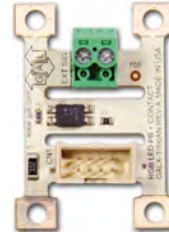
Board, LED Extender Push Button, For GALaxy Controller With RGB Multi-Color Spectral Light Input
List Price: \$24.00

GALX-1085AN



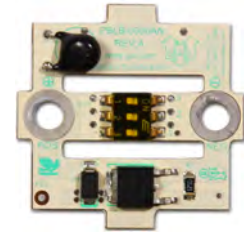
Board, LED Push Button "H", For GALaxy Controller With RGB Multi-Color Spectral Light Input
List Price: \$24.00

GALX-1096AN



Board, LED Alarm Push Button, 6 Volt +1 Contact, RGB Input
List Price: \$24.00

PBLB-0006AN



Board, LED Universal, For Standard And Extender Push Button Modules, 6-120V AC/DC Multi-Color, Non-Spectral
List Price: \$24.00

LED-0008N



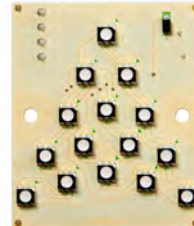
Board, LED Lantern Assembly-120V AC Input For Round & Arrow Lens
List Price: \$124.00

LED-0012N



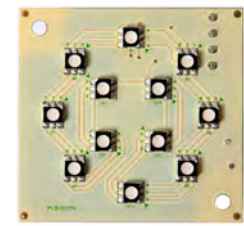
Board, LED Lantern Assembly-24V AC Input For Round & Arrow Lens
List Price: \$124.00

LED-0015AN



Board, LED Lantern, Arrow 24V-120V AC/DC Input
CALL G.A.L. For Pricing

LED-0029AN



Board, LED Lantern, Round 24V-120V AC/DC Input
CALL G.A.L. For Pricing

Lamps

SIGNAL FIXTURE COMPONENTS

Lamps

LED Printed Circuit Boards

LED-0006N



Board, LED Super-Red For O.S. Extender Push Button
List Price: \$9.40

LED-0005N

DISCONTINUED



Board, LED Extender, All Voltage Driver For LED-0006N
If This Board Needs To Be Replaced For An Extender Push Button Module, Use PBLB-0006AN And Remove The LED-0006N From Original PB Module.
DISCONTINUED

PBLB-0004AN

DISCONTINUED



Push Button LED Light Board, Replace By Part No. PBLB-0006AN
DISCONTINUED

LED Lamps

LED Miniature Flat Bulb, PSB Type



Part No.	Voltage	Color	List Price
LMP-0039N	6 AC	Red	\$9.40
LMP-0054N	24 AC	Orange	\$9.40
LMP-0048N	28 AC	White	\$9.40
LMP-0043N	120 AC	Blue	\$9.40

Part No.	Voltage	Color	List Price
LMP-0045N	120 AC	White	\$9.40
LMP-0046N	120 AC	Green	\$9.40
LMP-0047N	120 AC	Yellow	\$9.40
LMP-0049N	120 AC	Red	\$9.40

Incandescent Lamps

LMP-0010N



Lamp, 130 VDC Model #25T8DC-IF
List Price: \$6.20

LMP-0011N



Lamp, 130 VDC Red
List Price: \$7.80

LMP-0016N



Lamp, #94 - 12 Volt
List Price: \$8.00

LMP-0017N



Lamp, #1692 - 24 Volt
List Price: \$7.80

SIGNAL FIXTURE COMPONENTS

Lamps

Incandescent Lamps

LMP-0021N



Lamp, #6S6 - 24V/6W Screw Base
List Price: \$4.80

LMP-0023N



Lamp, #6S6 - 120V/6W Screw Base
List Price: \$4.80

LMP-0018N



Lamp, 25W - 120 Volts AC/
DC #25S11/2C For Talking Lantern
List Price: \$9.40

LMP-0022N



Lamp, # 44 - 6 Volt
List Price: \$3.20

LMP-0019N



Lamp, Lumiline White 18" Long
115-125V
List Price: \$31.00

LMP-0035N



Lamp, Lumiline White 12" Long
115-125V
List Price: \$24.80

LMP-0020N



Lamp, #25T10/F-120V Light
List Price: \$6.20

Dialight Set

28 VOLT



RED GREEN AMBER

125 VOLT



RED GREEN AMBER

LMP-0033N

LMP-0034N

Part No.	Voltage	Color	List Price
LMP-0027N	28 VC	Amber	\$29.40
LMP-0028N	28 VC	Green	\$29.40
LMP-0029N	28 VC	Red	\$29.40

Part No.	Voltage	Color	List Price
LMP-0030N	125 AC	Amber	\$29.40
LMP-0031N	125 AC	Green	\$29.40
LMP-0032N	125 AC	Red	\$29.40

Miniature Lamp, PSB Type



Incandescent Lamp



Neon Lamp

Part No.
LPM-0008N

Part No.	Voltage	List Price
LMP-0001N	6 AC	\$3.20
LMP-0009N	12 AC	\$3.20
LMP-0003N	28 AC	\$3.20
LMP-0004N	35 AC	\$4.80

Part No.	Voltage	List Price
LMP-0036N	48 AC	\$3.20
LMP-0006N	120 AC	\$3.20
LMP-0007N	155 AC	\$3.20
LMP-0008N	120 AC	\$4.80

SIGNAL FIXTURE COMPONENTS

Emergency Light Unit

Power Packs

EMER-0001N

DISCONTINUED



Emergency Light Unit, EL-1, EL-2, EL-4
Replaced By Part No. EMER-0034N
DISCONTINUED

EMER-0034N



Emergency Light Unit, EL-4 LED With LED Boards
Parts
List Price: \$295.00

EMER-0007N



Emergency Light Unit, EL-4NL. No Lights Or
Sockets. (Used For Flush Mounted Lens Fixtures
And Remote Lighting)
List Price: \$255.00

Batteries

BAT-0003N



Battery, Sealed Lead Acid (6V-4.5Ah/20Hr). Used For
EL-4 Power Pack
List Price: \$139.00

BAT-0001N



Battery, Emergency Light, 5 Cell "D" Size Ni-
Cad. Used For EL-1, EL-2, & EL-3 Power Pack
List Price: \$139.00

Emergency
Light Unit

Lens & Printed Circuit Boards - Emergency Light

PMDG-0136N



Lens, Emergency Light
List Price: \$44.00

EMER-0004N



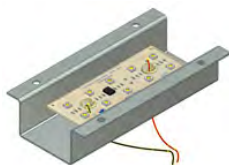
Lens, Flush Emergency Light (2 Pieces)
List Price: \$77.00

EMER-0033N



Reflector, Emergency Light Flush Mounted
List Price: \$30.00

EMER-0035N



Reflector & Board, EL4-LED Flush Light
List Price: \$70.00

EMER-0067N



Board, 10 LED Emergency Light
List Price: \$40.00

EMER-0032N



Board, Emergency Light EL-4
List Price: \$108.00

SIGNAL FIXTURE COMPONENTS

Printed Circuit Boards

Serial Hall & Car Station Boards

GALX-1070AN



Board, Serial Hall Station 24V DC
List Price: \$115.00

GALX-1091AN



Board, Serial Hall Power Feed Thru. Full Color Spectral Light Push Button With Code Blue
List Price: \$103.00

GALX-1093AN



Board, Serial Hall Station RGB No Mount. Full Color Spectral Light
List Price: \$163.00

GALX-1076AN



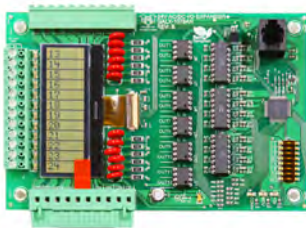
Board, IO Board With Power and ISO COMM
List Price: \$630.00

GALX-1094AN



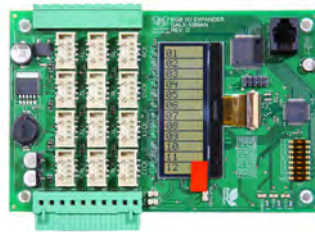
Board, Expandable IO Power/COMM Boost
List Price: \$234.00

GALX-1078AN



Board, IO Expander 24V AC/DC For Standard Push Buttons
List Price: \$630.00

GALX-1089AN



Board, RGB Plug/Play IO Expander For Spectral Lights
List Price: \$630.00

Push Button Interphase Boards

Printed Circuit Boards

SIGNAL FIXTURE COMPONENTS

Audible Signals

Chimes

HWEL-0068N

DISCONTINUED



Chime, TG024-BF1 Audible Signal, +/- 20-24 VAC/DC (Replace by HWEL-0221N)
DISCONTINUED

HWEL-0067N

DISCONTINUED



Chime, TG120-BF1 Audible Signal, +/- 48-120 VAC/DC (Replace by HWEL-0221N)
DISCONTINUED

HWEL-0122N

TG012-BF1



Chime, TG012-BF1 Audible Signal, +/- 12 VAC/DC (Used For Car And Hall Lanterns)
List Price: \$70.00

HWEL-0144N

TG024-BFM



Chime, TG024-BFM Audible Signal, +/- 24 VAC/DC, Micro Comm Series (Used For Car And Hall Lanterns)
List Price: \$70.00

HWEL-0221N



Chime, SG0MV-B1 Audible Signal 24-120 VAC/DC (Replaces Part No. HWEL-0067N & HWEL-0068N)
List Price: \$70.00

CEE-0020N



Chime, MPCB1 Digital Display Passing Used With LED Position Indicator Displays (Used For Car Stations Only)
List Price: \$77.00

HWEL-0076N



Chime, A1-382K Audible Signal, 30-120 VAC/DC With Bracket/Resistor 3.3K 5% PW-10
List Price: \$42.00

HWEL-0080N



Chime, A1-383K Audible Signal, 4-28 VAC/DC With Bracket
List Price: \$44.00

Audible Signals

Gongs

HWEL-0081N



Gong, 2" DIA Shell 110V M6452-3A
List Price: \$34.00

HWEL-0082N



Gong, 2" DIA Shell 24V M6452-5
List Price: \$34.00

HWEL-0083N



Gong, 2" DIA Shell 48V M6452-7
List Price: \$34.00

HWEL-0093N



Gong, 2" DIA Shell 12V M6452-2
List Price: \$34.00

HWEL-0094N



Gong, 2" DIA Shell 120V M6452-6
List Price: \$34.00

SIGNAL FIXTURE COMPONENTS

Car Switch Parts

CSW-0002N



Car Switch Assembly, 4 Step
List Price: \$1,500.00

CSW-0003N



Car Switch Assembly, 6 Step
List Price: \$2,000.00

CSW-0004N



Handle Assembly, Car Switch
List Price: \$500.00

CSW-0005N



Base Assembly, Finger Contact, 4 Step Car Switch
List Price: \$350.00

CSW-0006N



Base Assembly, Finger Contact, 6 Step Car Switch
List Price: \$400.00

CSW-0007N



Carbon Contact & Aluminum Cam Assembly, 4 Step Car Switch
List Price: \$329.00

CSW-0008N



Carbon Contact & Aluminum Cam Assembly, 6 Step Car Switch
List Price: \$329.00

CONT-0011N



Contact, Carbon, For 6 Step Car Switch
List Price: \$124.00

CONT-0012N



Contact, Carbon, For 4 Step Car Switch
List Price: \$124.00

CSW-0009N



Cam, Aluminum, For 4 or 6 Step Car Switch
List Price: \$149.00

CSW-0010N



Spring, Car Switch Torsion
List Price: \$56.00

CSW-0011N



Bushing, Torsion Spring Bronze (2) Required For Car Switch
List Price: \$31.00

Car Switch
Parts

SIGNAL FIXTURE COMPONENTS

Car Switch Parts

CSW-0012N



Assembly, Micro Switch/Bracket,
For Car Switch
List Price: \$76.00

MICS-0004N



Microswitch, BZ-2RW822-A2
List Price: \$39.00

CSW-0013N



Bracket, Micro Switch, For Car
Switch
List Price: \$37.00

CSW-0014N



Stop, Handle "U" Stainless Steel,
Car Switch
List Price: \$56.00

CSW-0015N



Stop, Handle "D" Stainless Steel,
Car Switch
List Price: \$56.00

CSW-0016N



Stop, Handle "U" Bronze, Car
Switch
List Price: \$84.00

CSW-0017N



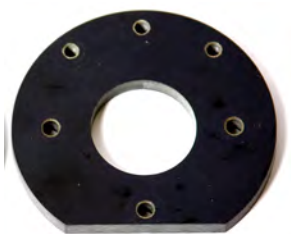
Stop, Handle "D" Bronze, Car
Switch
List Price: \$84.00

CSW-0018N



Ring, Handle Centering Lock,
Mounted To Car Switch Cover
List Price: \$300.00

CSW-0024N



Mounting Plate, Carbon Contact 4
Step Car Switch
List Price: \$56.00

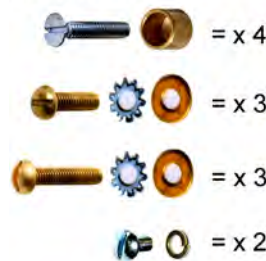
CSW-0025N



Mounting Plate, Carbon Contact 6
Step Car Switch
List Price: \$56.00

CSW-0026N

KIT CONTAINS:



Kit, Hardware Car Switch Rebuild
List Price: \$12.00

Car Switch
Parts

GAL

Controller Equipment

GAL CONTROLLER

STANDARD CONTROLLERS

TRACTION

- AC
- DC
- PM

HYDRAULIC

- Simplex
- Complex

SYSTEM APPLICATION

TRACTION

- Up to 8 Cars
- Up to 60 floors
- Up to 1400 FPM
- Hydraulic Elevators
- Geared up to 500 fpm
- Gearless up to 1400 fpm
- AC Vector Drive
- DC SCR Drive
- Active Front End AC & DC Drive

HYDRAULIC

- Up to 6 Car Group
- Up to 8 floors
- Soft Start
- Across the Line Start
- Wye Delta Start



RESCUVATOR, BRAKE PANEL
& FAULT MONITOR
501-505



GALAXY BOARDS
506-520



AC DRIVE & REGEN UNIT
521-523



TRAVELING CABLE
523



TRANSFORMERS,
FILTERS & REACTORS
524-531



RESISTORS
532-533



- Air Conditioner
- Fault Monitor
- Rope Gripper Panel
- Brake Panel
- Dynamic Braking Resistors
- Encoders & Parts
- GALaxy Documentations
- GALaxy Enclosures & Parts
- GALaxy Wires & Cables
- Load Weighing Units & Parts
- Monitor Configuration
- Monitor Interface
- Relays & Contactors
- Selectors
- Magnetic Limit Switches
- Terminal Blocks

534-548



RELAY LOGIC
CONTROLLER PARTS
549-558

STANDARD FEATURES

CSA B44 / ASME A17.1-2010 Certified

TSSA Certification

Inspection Operation (car top and controller)

Access Operation

Independent Service

Fire Service Phase I

Fire Service Phase II

Earthquake Service

On Board LCD Display Interface

Field Adjustable Parameters (Door Times, Lobby, etc.)

OPTIONAL FEATURES

Selective Rear Doors

Attendant Service

Code Blue Hospital Service

Security

Remote Diagnostics

- GALileo

- IDS Compatible

Inter-Group Emergency Power

Emergency Power Pack Service

Emergency Power Rescue System

Magnetic Slowdown Switches

Spectral-Lite Compatible

Tapeless Positioning

Short Floor Interface

CANBUS Interface

Cross Assignment/Cross Cancelation Panel

Regen Drives

Air Conditioning

Sabbath Services

Traveling Cable

TABLE OF CONTENTS

Controller

EMERGENCY POWER RESCUE SYSTEM

GALAXY CONTROLLER	
EMERGENCY OPERATION OPTIONS	501
RESCUVATOR TO THE RESCUE	502
RESCUVATOR	
MODEL 5 - RESCUVATOR ASSEMBLIES	503
MODEL 5 - RESCUVATOR PARTS	503
MODEL 2&3 - REPLACEMENT PARTS & KITS	505

GALAXY IV BOARDS

GALAXY III BOARDS

I/O BOARDS	
1018 SERIES	507
1019 SERIES	507
1023 SERIES	508
1029 SERIES	509
1041 SERIES	510
1042 SERIES	511
1043 SERIES	512
1063 SERIES	513
1083 SERIES	514
MAIN I/O BOARDS	
1039 SERIES	514
1064 SERIES	514
RESISTOR SERIES BOARDS	
1062 SERIES	515
BRAKES & BRAKE RELAY BOARDS	515
CAR TOP INTERFACE BOARDS	516
CPU BOARDS	516
CROSS ASSIGNMENT BOARDS	516
SELECTOR BOARDS	517
POSITION INDICATOR BOARDS	517
SPECTRALITE BOARDS	518
MISCELLANEOUS BOARDS	518

GALAXY II BOARDS

AC DRIVES & REGEN UNITS

KEB DRIVE	
GEARED - 230 V.A.C.	521
GEARLESS - 230 V.A.C.	521
GEARED - 460 V.A.C.	521
GEARLESS - 460 V.A.C.	521
MAGNETEK DSD 412 DRIVE	521
MAGNETEK H9S2 DRIVE	522
REGEN UNIT	522
DRIVE BOARD	523

TRAVELING CABLE & HARNESS

GRIPS	523
HARNESSES	523
TRAVELING CABLES	523

AC TRANSFORMERS, FILTERS & REACTORS

FILTERS	
RIPPLE FILTERS (CHOKES)	524
LINE FILTERS	524
TRAP FILTERS	524
REACTORS	525
TRANSFORMERS	
CONTROL (GENERAL)	525
CONTROL (1 PHASE)	526
CONTROL (3 PHASE)	529
ISOLATION	531

RESISTORS

1/4 TO 20 WATT	532
25 TO 50 WATT	532
100 TO 200 WATT	532
375 TO 1600 WATT	533
SPIRAL RESISTOR	533
COMPOUNDING STRIP	533
RESISTOR BAND	533

ACCESSORIES & PARTS

AIR CONDITIONER	534
FAULT MONITOR & ROPE GRIPPER PANEL	534
BRAKE PANELS	534
DYNAMIC BRAKING RESISTOR & BOX ASSEMBLIES	535
ENCODERS	535
ENCODER CABLES	536
ENCODER PARTS	536
GALAXY DOCUMENTATION PACKAGES	537
GALAXY ENCLOSURES AND PARTS	537
GALAXY WIRES AND CABLES	537
LOAD WEIGHING UNITS & PARTS	538
MONITOR CONFIGURATION - GALILEO	539
MONITOR INTERFACE	539
RELAYS & CONTACTORS	
AUXILIARY CONTACTS	540
CONTACTORS	540
DUAL CONTACTORS WITH INTERLOCK	542
RELAYS (OVERLOAD)	542
RELAYS (PHASE MONITORING)	544
RELAYS (PLUG IN)	544
SOFT STARTER	545
TIMERS	545

TABLE OF CONTENTS

Controller

SELECTORS

TAPELESS SELECTORS & KITS	545
STEEL TAPE SELECTOR KITS	545
STEEL TAPE READERS	546
STEEL TAPES	546
SELECTOR PARTS	546
MAGNETIC LIMIT SWITCHES	547
TERMINAL BLOCK ASSEMBLIES & PARTS	548
COOLING FAN	548

RELAY LOGIC CONTROLLER PARTS

RELAY LOGIC CONTROLLER RELAYS

"LC-28" RELAY ASSEMBLY	549
"LC-48" RELAY ASSEMBLY	550
"LC-48P" RELAY ASSEMBLY	551
"LC-49" RELAY ASSEMBLY	552
"LC-49P" RELAY ASSEMBLY	553

COILS

REVERSE PHASE RELAY	554
-------------------------------	-----

CONTACT PLATES & BASE

ARMATURE & FRAME ASSEMBLIES	555
---------------------------------------	-----

KICK OFF BRACKET & SPRING ASSEMBLIES

RELAY CONTACTS	
----------------	--

FINGER CONTACTS	555
SILVER PLATED CONTACTS	556
COPPER CONTACTS	556
CARBON CONTACTS	556
CONTACT HOLDERS	556
CONTACT HOLDER PARTS	556
CONTACT POST ASSEMBLIES	557
CONTACT WIRES	557

CONTROLLER TIMER

ARMATURE & BRUSHES - LOHER TACH	558
---	-----

HARDWARE

STUD ASSEMBLIES	558
SCREWS, NUTS, & INSULATOR	558

GALaxy Standard Warranty

- All GALaxy parts and equipment manufactured by GAL Manufacturing Corp. have a warranty which covers defects in material and workmanship for a period of two (2) years from the date of shipment.
- The warranty covers ONLY the repair or replacement of parts, F.O.B. our factory, upon determination by inspection at our factory that warranty is applicable.
- Equipment and components not of our manufacture are warranted ONLY to the extent of the original manufacturer's warranty.
- Our warranty specifically does not include any other incidental liability or expense such as transportation, labor, and unauthorized repairs.

The following are not covered by the warranty:

- Damage to or deterioration to the exterior of an item(s), which occurs during delivery.
- Damage after initial delivery resulting from accident, misuse or neglect.
- Damage resulting from failure to follow instructions contained in the owner's manual.
- Damage resulting from the performance of repairs by someone other than the GALaxy repair department.

Defective Merchandise Policy-Warranty

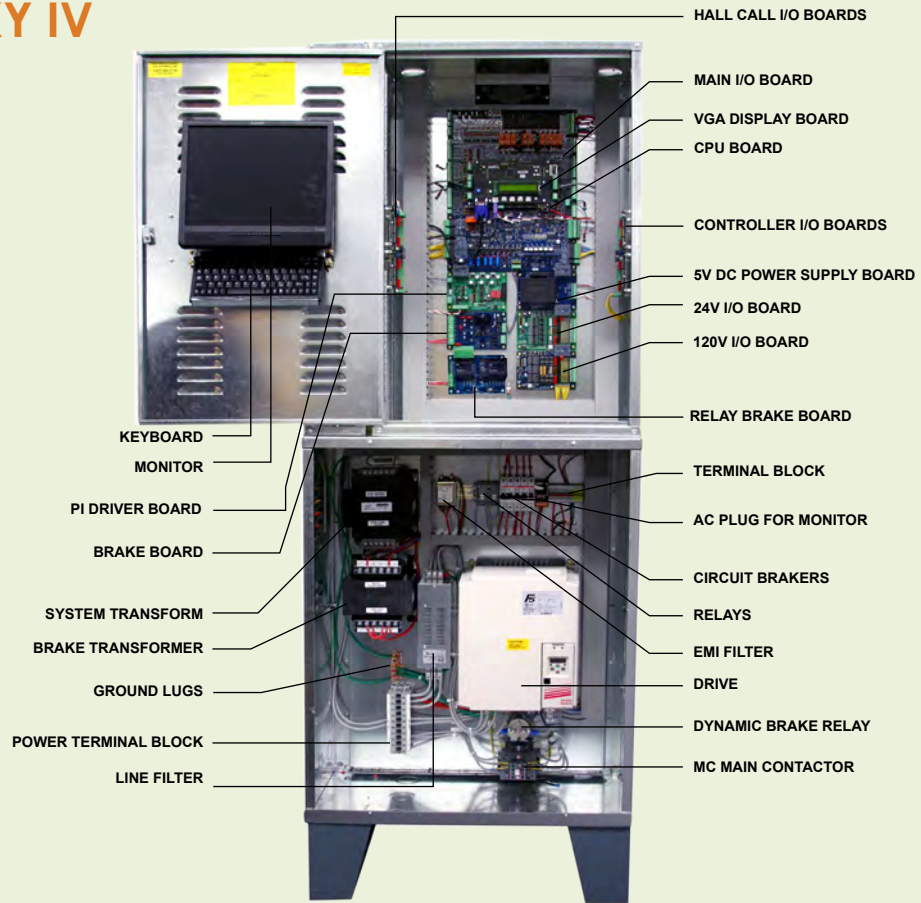
- A Return Material Authorization (RMA) number must be obtained from G.A.L Manufacturing Corp. prior to any items being returned.
- Proof of purchase may be required to verify warranty status.
- Customer will be responsible for shipping charges to the repair facility.

This Standard Warranty supersedes all other terms and conditions

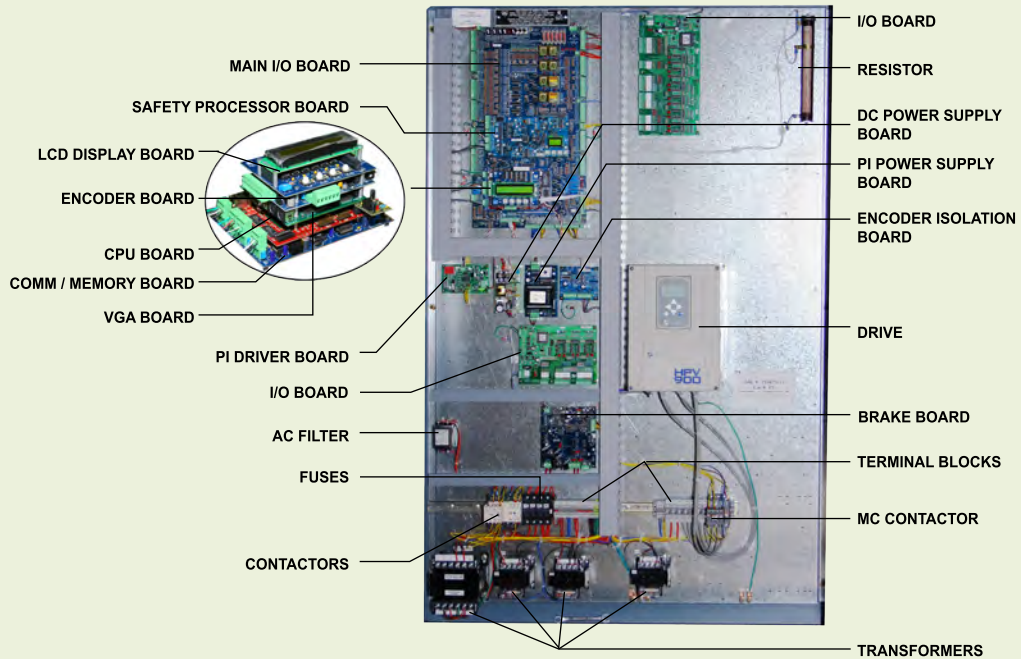
Why is GALaxy superior:

- 1) Non-proprietary designs
- 2) Full offering: hydraulic traction, AC/DC geared & gearless
- 3) Easy to install, maintain, and upgrade
- 4) Improved quality & savings through low life-cycle cost (LCC)
- 5) Backwards compatibility software & hardware
- 6) Integrated interface & wiring with G.A.L. MOVFR operator & signal fixtures
- 7) Free phone & email tech support
- 8) Free training & classes at G.A.L. Manufacturing Corp.
- 9) TSSA certified for code compliance

GALAXY IV



GALAXY III



Emergency Power Rescue System***GALaxy Controller****Emergency Operation Options***GALAXY CONTROLLER****EBR:****Emergency Manual Brake Release****Functional description**

- The mechanic manually releases the brake which allows the car to drift to the nearest floor in the direction of load.
- GALaxy controller monitors the main power source, controls the UPS function, and determines car position, door zone position, car speed and direction. Car speed, position and door zone status is displayed.
- The EBR UPS supplies backup power to elevator controller brake circuitry when the main power source is not available.
- The motor windings are shorted together to limit car speed.
- The UPS automatically recharges when main power source is restored.
- The UPS can provide functionality for a maximum of four hours.

Specifications

- Designed to work exclusively with GALaxy control systems
- The 1.5 kVA UPS system is interconnected to the GALaxy control circuitry.
- The GALaxy controller is designed to operate off single-phase power supplied by UPS system.
- All required equipment is mounted in the GALaxy controller cabinet.

Compliance

- ASME A 17.1/CSA B44-04

EPRS:**Emergency Power Rescue System****Functional description**

- The EPRS UPS supplies backup power to elevator controller and drive/motor system when the main power source is not available.
- Car is automatically moved to floor level and doors are opened. Car is then removed from automatic service.
- GALaxy controller the main power source, controls the UPS function, determines optimal direction of travel based on position and load, communicates special rescue drive and speed curve parameters to drive.
- The UPS automatically recharges when main power source is restored.

Specifications

- Designed to work exclusively with GALaxy control systems
- The UPS system is interconnected to the GALaxy control circuitry.
- The GALaxy controller is designed to operate off single-phase power supplied by UPS system when in emergency power mode.
- UPS sizing based on motor/drive requirements.
- Available in a wall mounted enclosure 30" H x 34" W x 12" D.

Compliance

- ASME A17.1/CSA B44-04

CONTROLLER

Emergency Power Rescue System

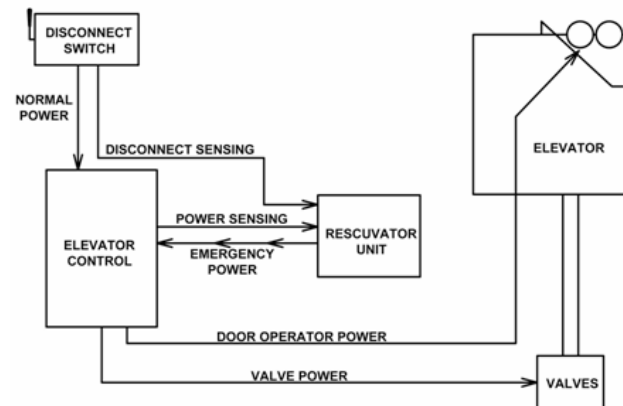
Rescuator To The Rescue

When the power goes off, Rescuator comes on while all elevator safety features remain operative. Immediately the functions of control and door operation are given their proper voltage by the use of a battery operated transistorized power supply. The elevator then descends to the lowest landing and opens its doors to discharge passengers who might otherwise have been trapped.

Rescuator is capable of operating approximately 80% of all existing hydraulic elevators. It is designed for manual or DC power door operation and will provide the voltages listed above.

- Rescuator includes reverse phase and phase failure relay.
- Basic power is provided by a 12 volt sealed battery.
- Battery power is inverted and converted electronically.
- Transistorized power supply provides proper AC and DC voltages for emergency operation.
- Rescuator provides 220 and 110 volts single phase 60 Hz. AC and 265 volts DC or 130 volts DC. Other voltages are available on request.
- Rescuator activates low oil return circuitry.
- Automatically maintains battery at its proper charge.
- Installation requires a maximum of 2 wires to the elevator disconnect switch and 16 wires to the controller.
- Compatible with relay type and microprocessor type controllers.
- Automatically activates during power loss.
- Supplies power for rescue operation.
- Causes car to descend quickly and smoothly to lowest landing.
- Keeps doors closed until proper floor level is reached.
- Automatically opens doors at lowest landing.
- Safely shuts down elevator until normal power is restored.
- Automatically resets for future emergencies.

- Wall mounted vented cabinet with cover. (cover not shown)
- 20" W x 22" H x 7 1/2" D.
- 14 gauge steel component plate.
- Rugged plug-in printed circuit boards.
- Plug-in relays.
- Field selectable output voltages.
- Maintenance-free sealed long lasting 12 volt battery.
- Battery condition LEDs.
- Automatic battery charger.



IMPORTANT

During Rescuator operation all code required elevator safety features and elevator disconnect switch remain functional.

CONTROLLER

Emergency Power Rescue System

Rescuator

Model 5 - Rescuator Assemblies

RSCV-0006N SHOWN
INCLUDES COVER & SCREWS

PF Transformer
Included for
RSCV-0007N &
RSCV-0008N Only



Part No.	Description	List Price
RSCV-0006N	Rescuator, 120V/208-240V Model 5-Single Or Three Phase	\$2,649.00
RSCV-0007N	Rescuator, 440V-480V Model 5-Three Phase, Includes Power Failure Transformer	\$2,772.00
RSCV-0008N	Rescuator, 575V-600V Model 5-Three Phase, Includes Power Failure Transformer	\$2,772.00

Model 5 - Rescuator Parts

DISCONTINUED



REPLACED WITH



Battery includes hardware:

- (2) Lock washers, S.S. 1/4 ID x 1/2 OD x 0.075 thick
- (2) Flat washer 1/4- ID x 3/4 OD x 0.0625 thick
- (2) Hex head screw 1/4-20 x 1" LG

Part No.	Description	List Price
BAT-0002N	Battery, Rescuator- Model 5	\$618.00

***Note: RSCV-0001N - Relays & Fuses not included. They are sold separately as follow**

- (2) RELY-0003N 12VDC (2) RELY-0007N 110VDC (4) FUSE-0003N 3 AMP-250V (1) FUSE-0010N 2 AMP-250V

RSCV-0001N*



Board, Rescuator Main Assembly
Rescuator- Model 5
List Price: \$1,363.00

RELY-0003N



Relay, 3PDT Plug-In 12 V.D.C Light & Button, (157-23B2LC Plug-In 3 Pole)
List Price: \$39.00

RELY-0007N



Relay, 110 V.D.C 3 Pole With Light & Button, (KUP-14D45F Plug-In 3 Pole)
List Price: \$39.00

RELY-0136N



Relay, 3 Phase Monitoring 380-600V, Use For Rescuator 5:
RSCV-0007N & RSCV-0008N
List Price: \$233.00

FUSE-0003N



Fuse, 3 AMP 250V AGC
List Price: \$1.40

FUSE-0010N



Fuse, 2 AMP 250V AGC
List Price: \$1.40

FUSE-0011N



Fuse, 50 MA 600 Volt
List Price: \$15.40

FUSE-0009N



Holder, Fuse 1 Pole 60 AMP 250V
Box Connector - Model 5 (Fuse
FUSE-0008N Not Included But
Required)
List Price: \$15.40

Emergency Power
Rescue System

CONTROLLER

Emergency Power Rescue System

Rescuator

Model 5 - Rescuator Parts

RSCV-0002N



Board, Rescuator Converter- Model 5
List Price: \$293.00

RSCV-0003N



Board, Rescuator Charger Assembly Charger- Model 5
List Price: \$216.00

RSCV-0009N



Transformer, Power Assembly Rescuator- Model 5 (Includes (2) HWPC-0020 Jumpers)
List Price: \$586.00

RSCV-0011N



Cable, Converter Assembly Harness To Main Board
List Price: \$15.40

RSCV-0012N



Cable, Charger Assembly Hardness To Main Board
List Price: \$18.60

RSCV-0013N



Harness, Wire Solenoid To Main Board Main Board, Model 5
List Price: \$21.60

RSCV-0018N



Cable, Transformer Assembly PF Board To Main Board
List Price: \$18.60

RSCV-0022N



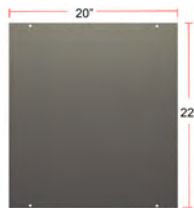
Solenoid, Rescuator Assembly Rescuator- Model 5
List Price: \$87.00

RSCV-0023N



Transistor, Module Assembly Sanrex QBB100A- Model 5
List Price: \$316.00

RSCV-0031N



Cover, Enclosure Model 5, 20" x 22" x 16 Gauge Galvanized
List Price: \$62.00

RSCV-0015N



Cable, 14 1/2" Harness Assembly Xtor Pack To Battery
List Price: \$9.40

RSCV-0016N



Cable, 4 3/4" Harness Assembly Solenoid To Fuse Block
List Price: \$12.40

RSCV-0017N



Cable, 6 3/4" Harness Assembly Battery To Fuse Block
List Price: \$9.40

DIOD-0015N



Diode, Bridge Rectifier, Silicon 1PH FWB-25 AMP 800 V.D.C With Quick Disc. Leads
List Price: \$23.00

Emergency Power Rescue System

CONTROLLER

Emergency Power Rescue System

Rescuvator

Model 2 & 3 - Replacement Parts & Kits

FUSE-0008N



Fuse, 60 AMP 250V Timedelay
List Price: \$15.40

RSCV-0030N



Kit, Model 2 Inverter Conversion (Replaces Kit No. M-10117-36 Aluminum Heat Sink & Charger Board Assembly)
List Price: \$924.00

RELY-0046N



Solenoid, M3-Contactor, Model 3
List Price: \$62.00

RSCV-0024N



Board, Rescuvator Converter-Model 3 With Drawing M10117-43 For Connections - Replaces RV 86.2 (Includes Connectors Conn-0032N & 34N)
List Price: \$308.00

RSCV-0025N



Board, Rescuvator Charger - M3 (Replaces RV 85 - Model 3)
List Price: \$247.00

RELY-0047N



Relay, PH Monitor 190-270V - 8 Pins (Replaces RV 3 - Model 3)
List Price: \$239.00

RELY-0048N



Relay, PH Monitor 93-130V (Replaces RV 4 - Model 3)
List Price: \$239.00

HWPC-0020N



Plug, Insulated Shorting
List Price:

XTOR-0012N



Transistor, Module 100A (RV 87)
List Price: \$500.00

XFER-0004N



Transformer, 500VA Multap Model AA-0736, 110-132.5V
List Price: \$868.00

CONTROLLER

GALaxy IV Boards

Note: Contact G.A.L. sales department for more information and pricing.

GALX-1100AN



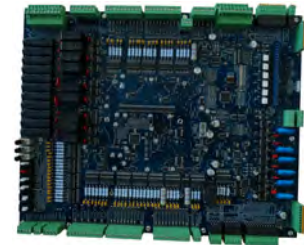
Description
Board, CPU Free Scale Tract/Hydro

GALX-1101AN



Description
Board, Display VGA/LCD

GALX-1102AN



Description
Board, Traction Main I/O

GALX-1104AN



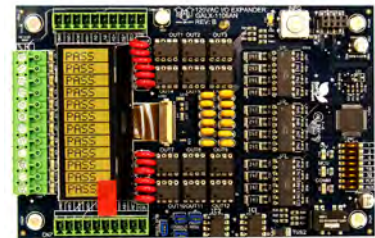
Description
Board, 3PH Brake Board

GALX-1105AN



Description
Brake Relay Board

GALX-1106AN



Description
Board, 120 VAC I/O Expander Control

GALX-1107AN



Description
Board, 24 VAC I/O Expander Control

GALX-1108AN



Description
Board, 5V 6A Power Supply 120 VAC Input

GALX-1109AN



Description
Board, Cop Interface

GALX-1110AN



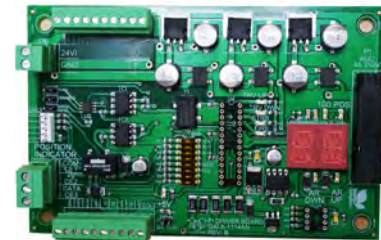
Description
Board, Selector Main

GALX-1111AN



Description
Board, I/O Connector

GALX-1114AN



Description
Board, Can Bus PI Driver Board

Galaxy Boards

CONTROLLER

GALaxy IV Boards

GALX-1115AN



FRONT



BACK

Description
Board, Upper/Lower Selector Sensor

GALX-1116AN

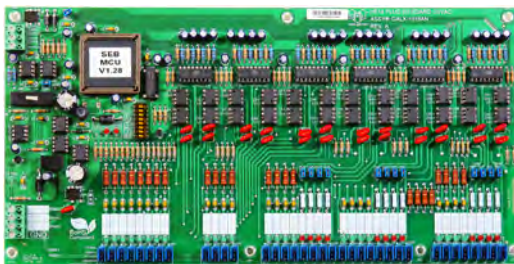


Description
Board, 5V 6A Power Supply 24 VAC Input

GALaxy III Boards

I/O Boards

1018 Series



Universal I/O board:

Full size, 8 1/8" x 12 1/8"
48 I/O, rated @ 24 VAC, with HE 14 Plug.
Used for car calls.

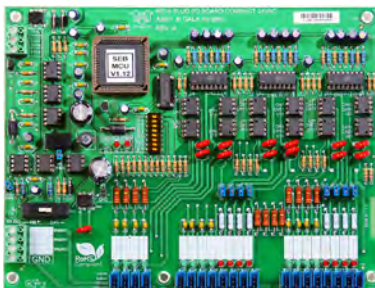
GALX-1018AN – Universal I/O can be made into ANY GALX-1018xxx board.

List Price: \$886.00

Part No.	Board Function	Floors	F/R Opening
GALX-1018AN	Universal I/O		
GALX-1018AON	Car Call	1 to 17	Rear
GALX-1018APN	Car Call	18 to 41	Rear
GALX-1018BN	Car Call	1 to 12	Front

Part No.	Board Function	Floors	F/R Opening
GALX-1018BON	Car Call	37 to 60	Front
GALX-1018BVN	Car Call	42 to 60	Rear
GALX-1018CN	Car Call	13 to 36	Front

1019 Series



Universal I/O board:

Compact size, 8 3/32" x 6 3/16"
24 I/O, rated @ 24 VAC, with HE 14 plug.
Used for car calls.

GALX-1019AN – Universal I/O can be made into ANY GALX-1019xxx board.

List Price: \$630.00

Part No.	Board Function	Floors	F/R Opening
GALX-1019AN	Universal I/O		
GALX-1019APN	Car Call	18 to 29	Rear
GALX-1019BON	Car Call	37 to 48	Front

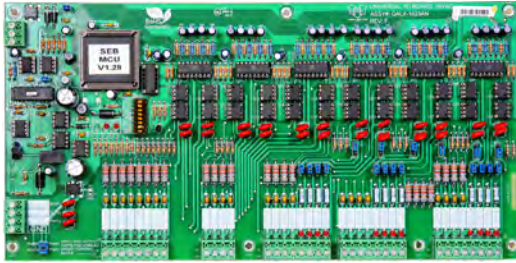
Part No.	Board Function	Floors	F/R Opening
GALX-1019BWN	Car Call	42 to 53	Rear
GALX-1019CN	Car Call	13 to 24	Front
GALX-1019MN	Car Call	1 to 10	Rear

CONTROLLER

GALaxy III Boards

I/O Boards

1023 Series



Universal I/O board:

Full size, 8 1/8" x 12 3/8"

24 I/O, rated @ 24 VAC, with Standard Screw Terminal.

Used for multiple purposes. [See table.](#)

GALX-1023AN – Universal I/O can be made into ANY GALX-1023xxx board.

List Price: \$630.00

Part No.	Board Function	Floors	F/R Opening
GALX-1023ADN	Code Blue	1 to 24	Rear
GALX-1023AEN	Hall Lantern	13 to 25	Rear
GALX-1023AFN	Inconspicuous Riser		Rear
GALX-1023AGN	Inconspicuous Riser	13 to 25	Rear
GALX-1023AHN	Hall Call Lockout	1 to 23	Rear
GALX-1023AJN	Hall Lantern	25 to 36	Rear
GALX-1023AKN	Hall Call	13 to 25	Rear
GALX-1023ALN	Attendant Annunciator	13 to 25	Front
GALX-1023AMN	Emergency Power Status Indicator		Front
GALX-1023AN	Universal I/O		
GALX-1023ANN	Hall Call	25 to 31	Front
GALX-1023AON	Car Call	1 to 17	Rear
GALX-1023APN	Car Call	18 to 41	Rear
GALX-1023AQN	Floor Lockout	1 to 23	Rear
GALX-1023ARN	Group Car Call Lockout	1 to 23	Front
GALX-1023ASN	Group Car Call Lockout	1 to 23	Rear
GALX-1023ATN	Inconspicuous Riser	25 to 29	Front
GALX-1023AUN	Hall Lantern	25 to 37	Front
GALX-1023AVN	Hall Call Lockout Only Or Hall Call Lockouts + Group Car Call Lockouts (F/R) / Hall Call Lockouts + Group Car Call Lockouts (F)	24 to 47	Front
GALX-1023AWN	Hall Call Lockout Only Or Hall Call Lockouts + Group Car Call Lockouts (F/R) / Hall Call Lockouts + Group Car Call Lockouts (F)	48 to 60	Front
GALX-1023AXN	Hall Call Lockout	24 to 49	Front/Rear
GALX-1023AYN	Hall Call Lockout	24 to 47	Rear
GALX-1023AZN	Hall Call Lockout	48 to 60	Rear
GALX-1023BAN	Hall Lantern	25 to 37	Rear
GALX-1023BDN		13 to 25	Rear
GALX-1023BEN	Attendant Annunciator	13 to 25	Rear
GALX-1023BFN	Attendant Annunciator	25 to 37	Front
GALX-1023BGN	Remote Car Call	21 to 29	Front
GALX-1023BHN	Car Call Latch	1 to 23	Front
GALX-1023BKN	Hall Call High Rise	37 to 49	Front
GALX-1023BLN	Hall Call High Rise	49 to 60	Front
GALX-1023BMN	Car Call Lock-Out	24 to 47	Front
GALX-1023BN	Car Call	1 to 12	Front
GALX-1023BNN	Car Call Lock-Out	48 to 60	Front
GALX-1023BON	Car Call	37 to 60	Front
GALX-1023BPN	Inconspicuous Riser	25 to 37	Front

Part No.	Board Function	Floors	F/R Opening
GALX-1023BQN	Inconspicuous Riser	25 to 37	Rear
GALX-1023BRN	Inconspicuous Riser	37 to 49	Front
GALX-1023BSN	Inconspicuous Riser	49 to 60	Front
GALX-1023BVN	Car Call	42 to 60	Rear
GALX-1023BZN	Floor Lockout	24 to 47	Front
GALX-1023CCN	VIP W-Out Code Blue / VIP With Front Code Blue	1 to 24	Front
GALX-1023CDN	Group Car Call Lockout	24 to 47	Front
GALX-1023CGN	Car Call Lock-Out	24 to 47	Rear
GALX-1023CHN	Hall Call	25 to 37	Rear
GALX-1023CIN	Car Call Security Override	1 to 23	Front
GALX-1023CJN	Group Car Call Lockout	48 to 60	Front
GALX-1023CKN	Group Car Call Lockout	24 to 47	Rear
GALX-1023CLN	Group Car Call Lockout	48 to 60	Rear
GALX-1023CMN	Hall Call Lockout	48 to 60	Front
GALX-1023CN	Car Call	13 to 36	Front
GALX-1023CNN	Floor Lockout	24 to 47	Rear
GALX-1023CON	Hall Call Lockout	48 to 60	Front
GALX-1023CPN	Hall Lantern	37 to 49	Front
GALX-1023CRN	Hall Lantern	48 to 60	Front
GALX-1023CSN	Inconspicuous Riser	49 to 60	Rear
GALX-1023CTN	Hall Lantern	37 to 49	Rear
GALX-1023CUN	Hall Lantern	49 to 60	Rear
GALX-1023CVN	Hall Call	37 to 49	Rear
GALX-1023CWN	Hall Call	49 to 60	Rear
GALX-1023CXN	Inconspicuous Riser	37 to 49	Rear
GALX-1023CYN	Car Call Lock-Out	48 to 60	Rear
GALX-1023CZN	Code Blue	25 to 48	Front
GALX-1023DAN	Code Blue	48 to 60	Front
GALX-1023DBN	Code Blue	25 to 48	Rear
GALX-1023DCN	Discrete Position Interface	22 to 45	Front
GALX-1023DDN	Discrete Position Interface	46 to 60	Front
GALX-1023DEN	Attendant Annunciator	37 to 49	Front
GALX-1023DFN	Attendant Annunciator	49 to 60	Front
GALX-1023DGN	Attendant Annunciator	25 to 37	Rear
GALX-1023DHN	Attendant Annunciator	37 to 49	Rear
GALX-1023DIN	Attendant Annunciator	49 to 60	Rear
GALX-1023DJN	Hall Group		
GALX-1023DMN	Remote Car Call	21 to 44	Front
GALX-1023DN	Hall Call	1 to 13	Front
GALX-1023DNN	General Purpose I/O	1 to 24	
GALX-1023DON	General Purpose I/O	25 to 48	
GALX-1023DPN	General Purpose I/O	49 to 72	
GALX-1023DQN	Code Blue Second Riser	1 to 24	Front
GALX-1023DRN	Code Blue Second Riser	25 to 48	Front

CONTROLLER

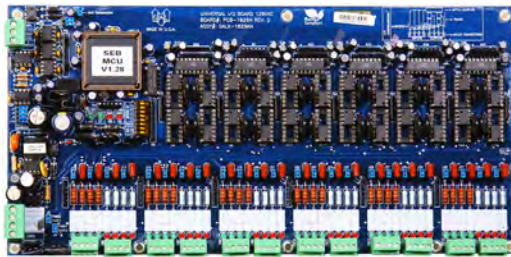
GALaxy III Boards

I/O Boards

1023 Series

Part No.	Board Function	Floors	F/R Opening	Part No.	Board Function	Floors	F/R Opening
GALX-1023DSN	Code Blue Second Riser	49 to 60	Front	GALX-1023KN	Discrete Position Interface	1 to 21	Front
GALX-1023DTN	Code Blue Second Riser	1 to 24	Rear	GALX-1023LN	Remote Car Call	1 to 20	Front
GALX-1023DUN	Code Blue Second Riser	25 to 48	Rear	GALX-1023MN	Car Call	1 to 17	Rear
GALX-1023DVN	Hall Fire Service & Logic		Front	GALX-1023NN	Hall Call	2 to 13	Rear
GALX-1023DWN	Remote Car Call	1 to 20	Rear	GALX-1023ON	Floor Lockout	1 to 23	Front
GALX-1023DXN	Guilbert Freight Door Operator		Front	GALX-1023PN	Hall Call Lockout/Hall Call Lockouts + Group Car Call Lockouts	1 to 23	Front
GALX-1023DYN	VIP W-Out Code Blue / VIP With Front Code Blue	25 to 48	Front	GALX-1023QN	Inconspicuous Riser	2 to 13	Front
GALX-1023EAN	Group Car Call Security Override	1 to 23	Front	GALX-1023RN	Inconspicuous Riser	14 to 25	Front
GALX-1023EBN	Elevator Robot Interface Low Rise		Front	GALX-1023SN	General Purpose I/O	1 to 20	
GALX-1023ECN	Elevator Robot Interface High Rise		Front	GALX-1023TN	Car Call Lock-Out	1 to 23	Rear
GALX-1023EN	Hall Call	13 to 25	Front	GALX-1023UN	Code Blue	1 to 24	Front
GALX-1023FN	Hall Lantern	1 to 13	Front	GALX-1023VN	Hydro Message Interface		Front
GALX-1023GN	Hall Lantern	13 to 25	Front	GALX-1023WN	Pelle Freight Doors		Front
GALX-1023HN	Car Call Lock-Out	1 to 23	Front	GALX-1023YN	Attendant Annunciator	2 to 13	Rear
GALX-1023JN	Binary Position Indicator / Message Interface	1 to 7	Front	GALX-1023ZN	Attendant Annunciator	1 to 13	Front

1029 Series



Universal I/O board:

Full size, 8 1/8" x 12 3/8"

24 inputs & 24 outputs isolated, rated @ 120 VAC, with Standard Screw Terminal.

Used for multiple purposes. [See table.](#)

GALX-1029AN – Universal I/O can be made into ANY GALX-1029xxx board.

List Price: \$630.00

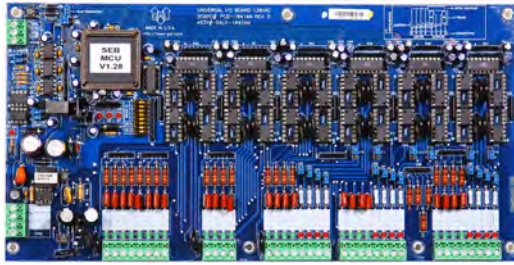
Part No.	Board Function	Floors	F/R Opening	Part No.	Board Function	Floors	F/R Opening
GALX-1029AAN	Car Call	1 to 12	Front	GALX-1029JN	Car Call Lock-Out		
GALX-1029ABN	Car Call	1 to 17	Rear	GALX-1029KN	Cross Cancellation	1 to 13	Front
GALX-1029ACN	Car Call	13 to 36	Front	GALX-1029LN	Cross Cancellation	13 to 25	Front
GALX-1029ADN	Car Call	18 to 41	Rear	GALX-1029MN	Cross Assignment	13 to 25	Front
GALX-1029AEN	Car Call	37 to 60	Front	GALX-1029NN	Cross Assignment	25 to 31	Front
GALX-1029AFN	Car Call	42 to 60	Front	GALX-1029ON	Cross Cancellation	25 to 31	Front
GALX-1029AN	Universal I/O			GALX-1029PN	Car Call Lock-Out		
GALX-1029BMN	Car Call Lock-Out			GALX-1029QN	Cross Cancellation	1 to 13	Rear
GALX-1029BN	Universal I/O			GALX-1029RN	Cross Assignment	25 to 37	Front
GALX-1029CN	Car Call	1 to 13	Front	GALX-1029SN	Cross Assignment	37 to 49	Front
GALX-1029DN	Cross Assignment	1 to 13	Front	GALX-1029TN	Cross Assignment	49 to 60	Front
GALX-1029EN	Housing Car Call	1 to 12	Front	GALX-1029UN	General Purpose		
GALX-1029FN	Housing Car Call	13 to 24	Front	GALX-1029VN	Cross Cancellation	25 to 37	Front
GALX-1029GN	Housing Hall Call	1 to 13	Front	GALX-1029WN	Cross Cancellation	37 to 49	Front
GALX-1029HN	Housing Hall Call	13 to 25	Front	GALX-1029XN	Car Call	14 to 29	Front
GALX-1029IN	Housing Top Of Car		Front				

CONTROLLER

GALaxy III Boards

I/O Boards

1041 Series



Universal I/O board:

Full size, 8 1/8" x 12 3/8"

48 I/O, rated @ **120 VAC**, with Standard Screw Terminals.

Used for multiple purposes. [See table.](#)

GALX-1041AN – Universal I/O can be made into ANY GALX-1041xxx board.

List Price: \$630.00

Part No.	Board Function	Floors	F/R Opening
GALX-1041AAN	Simple Hydro Security		Front
GALX-1041ABN	Courion Door Operator		Front
GALX-1041ACN	Ems Automatic Freight Doors		Front
GALX-1041ADN	Code Blue	1 to 24	Rear
GALX-1041AEN	Hall Lantern	1 to 13	Rear
GALX-1041AFN	Inconspicuous Riser	1 to 13	Rear
GALX-1041AGN	Inconspicuous Riser	13 to 25	Rear
GALX-1041AHN	Hall Call Lockout	1 to 23	Rear
GALX-1041AIN	Pelle Freight Doors		Rear
GALX-1041AJN	Hall Lantern	14 to 25	Rear
GALX-1041AKN	Hall Call	13 to 25	Rear
GALX-1041ALN	Attendant Annunciator	13 to 25	Front
GALX-1041AMN	Emergency Power Status Indicator		Front
GALX-1041AN	Universal I/O		
GALX-1041ANN	Hall Call	25 to 31	Front/Rear
GALX-1041AON	Car Call	1 to 17	Rear
GALX-1041APN	Car Call	18 to 41	Rear
GALX-1041AQN	Floor Lockout	1 to 23	Rear
GALX-1041ARN	Group Car Call Lockout	1 to 23	Front
GALX-1041ASN	Group Car Call Lockout	1 to 23	Rear
GALX-1041ATN	Inconspicuous Riser	25 to 29	Front
GALX-1041AUN	Hall Lantern	25 to 36	Front
GALX-1041AVN	Hall Call Lockout Only Or Hall Call Lockouts + Group Car Call Lockouts (F/R) / Hall Call Lockouts + Group Car Call Lockouts (F)	24 to 47	Front
GALX-1041AWN	Hall Call Lockout Only Or Hall Call Lockouts + Group Car Call Lockouts (F/R) / Hall Call Lockouts + Group Car Call Lockouts (F)	48 to 60	Front
GALX-1041AXN	Hall Call Lockout	24 to 29	Front/Rear
GALX-1041AYN	Hall Call Lockout	24 to 47	Rear
GALX-1041AZN	Hall Call Lockout	48 to 60	Rear
GALX-1041BAN	Hall Lantern	25 to 37	Rear
GALX-1041BEN	Attendant Annunciator	13 to 25	Rear
GALX-1041BFN	Attendant Annunciator	25 to 37	Front
GALX-1041BGN	Remote Car Call	21 to 29	Front
GALX-1041BHN	Simple Hydro FLS & OS Security		Front
GALX-1041BIN	Otis Type F Door Operator		Rear
GALX-1041BJN	Hall Call High Rise	25 to 37	Front

Part No.	Board Function	Floors	F/R Opening
GALX-1041BKN	Hall Call High Rise	37 to 49	Front
GALX-1041BLN	Hall Call High Rise	49 to 60	Front
GALX-1041BMN	Car Call Lock-Out	24 to 47	Front
GALX-1041BN	Car Call	1 to 12	Front
GALX-1041BNN	Car Call Lock-Out	48 to 60	Front
GALX-1041BON	Car Call	37 to 60	Front
GALX-1041BPN	Inconspicuous Riser	25 to 37	Front
GALX-1041BQN	Inconspicuous Riser	37 to 49	Rear
GALX-1041BRN	Inconspicuous Riser	49 to 60	Front
GALX-1041BSN	Inconspicuous Riser	2 to 13	Front
GALX-1041BTN	Simple Hydro FLS-HCS-CSA-CSB Security		Front
GALX-1041BVN	Car Call	42 to 60	Rear
GALX-1041BZN	Floor Lockout	24 to 47	Front
GALX-1041CAN	Courion Door Operator		Rear
GALX-1041CBN	Emergency Brake Sheave		Front
GALX-1041CCN	VIP Without Code Blue / VIP With Front Code Blue	1 to 24	Front
GALX-1041CDN	Group Car Call Lockout	24 to 47	Front
GALX-1041CGN	Car Call Lock-Out	24 to 47	Rear
GALX-1041CHN	Hall Call	25 to 37	Rear
GALX-1041CIN	Car Call Security Override	1 to 23	Front
GALX-1041CJN	Group Car Call Lockout	48 to 60	Front
GALX-1041CKN	Group Car Call Lockout	24 to 47	Rear
GALX-1041CLN	Group Car Call Lockout	48 to 60	Rear
GALX-1041CMN	Hall Call Lockout	48 to 60	Front
GALX-1041CN	Car Call	13 to 36	Front
GALX-1041CNN	Floor Lockout	24 to 47	Rear
GALX-1041CON	Hall Call Lockout	48 to 60	Front
GALX-1041CPN	Hall Lantern	37 to 49	Front
GALX-1041CQN	Attendant Annunciator	38 to 48	Front
GALX-1041CRN	Hall Lantern	48 to 60	Front
GALX-1041CSN	Inconspicuous Riser	49 to 60	Rear
GALX-1041CTN	Hall Lantern	37 to 49	Rear
GALX-1041CUN	Hall Lantern	49 to 60	Rear
GALX-1041CVN	Hall Call	37 to 49	Rear
GALX-1041CWN	Hall Call	49 to 60	Rear
GALX-1041CXN	Inconspicuous Riser	1 to 13	Rear
GALX-1041CYN	Car Call Lock-Out	48 to 60	Rear
GALX-1041CZN	Code Blue	25 to 48	Front
GALX-1041DAN	Code Blue	48 to 60	Front
GALX-1041DBN	Code Blue	25 to 48	Rear
GALX-1041DCN	Discrete Position Interface	22 to 45	Front
GALX-1041DDN	Discrete Position Interface	46 to 60	Front
GALX-1041DEN	Attendant Annunciator	37 to 49	Front

CONTROLLER

GALaxy III Boards

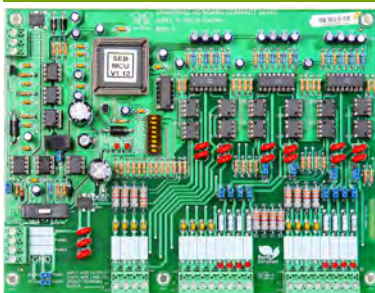
I/O Boards

1041 Series

Part No.	Board Function	Floors	F/R Opening
GALX-1041DFN	Attendant Annunciator	49 to 60	Front
GALX-1041DGN	Attendant Annunciator	25 to 37	Rear
GALX-1041DHN	Attendant Annunciator	37 to 49	Rear
GALX-1041DIN	Attendant Annunciator	49 to 60	Rear
GALX-1041DJN	Hall Group	1 to 13	
GALX-1041DKN	Simple Hydro Discrete Position Indicator		Front
GALX-1041DLN	Simple Hydro Binary Position Indicator		Front
GALX-1041DMN	Remote Car Call	21 to 44	Front
GALX-1041DN	Hall Call	1 to 13	Front
GALX-1041DNN	General Purpose I/O	1 to 24	
GALX-1041DON	General Purpose I/O	25 to 48	
GALX-1041DPN	General Purpose I/O	49 to 72	
GALX-1041DQN	Code Blue Second Riser	1 to 24	Front
GALX-1041DRN	Code Blue Second Riser	25 to 48	Front
GALX-1041DSN	Code Blue Second Riser	49 to 60	Front
GALX-1041DTN	Code Blue Second Riser	1 to 24	Rear
GALX-1041DUN	Code Blue Second Riser	25 to 48	Rear
GALX-1041DVN	Hall Fire Service & Logic		Front
GALX-1041DWN	Remote Car Call	1 to 20	Rear
GALX-1041DXN	Guilbert Freight Door Operator		Front
GALX-1041DYN	VIP W-Out Code Blue / VIP With Front Code Blue	25 to 48	Front
GALX-1041EAN	Group Car Call Security Override	1 to 23	Front
GALX-1041EBN	Elevator Robot Interface Low Rise		Front

Part No.	Board Function	Floors	F/R Opening
GALX-1041ECN	Elevator Robot Interface High Rise		Front
GALX-1041EN	Hall Call	13 to 25	Front
GALX-1041FN	Hall Lantern	1 to 13	Front
GALX-1041GN	Hall Lantern	13 to 25	Front
GALX-1041HN	Car Call Lock-Out	1 to 23	Front
GALX-1041JN	Binary Position Indicator / Message Interface	1 to 7	Front
GALX-1041KN	Discrete Position Interface	1 to 21	Front
GALX-1041LN	Remote Car Call	1 to 20	Front
GALX-1041MN	Car Call	1 to 17	Rear
GALX-1041NN	Hall Call	2 to 13	Rear
GALX-1041ON	Floor Lockout	1 to 23	Front
GALX-1041PN	Hall Call Lockout/Hall Call Lockouts + Group Car Call Lockouts	1 to 23	Front
GALX-1041QN	Inconspicuous Riser	14 to 25	Front
GALX-1041RN	Inconspicuous Riser	37 to 49	Front
GALX-1041SN	General Purpose I/O	1 to 20	
GALX-1041TN	Car Call Lock-Out	1 to 23	Rear
GALX-1041UN	Code Blue	1 to 24	Front
GALX-1041VN	Hydro Message Interface		Front
GALX-1041WN	Pelle Freight Doors		Front
GALX-1041XN	Code Blue	25 to 31	Front
GALX-1041YN	Attendant Annunciator	1 to 13	Rear
GALX-1041ZN	Attendant Annunciator	1 to 13	Front

1042 Series



Universal I/O board:

Compact size, 8 3/32" x 8 3/16"

24 I/O, rated @ 120 VAC, with Standard Screw Terminals.

Used for multiple purposes. [See table.](#)

GALX-1042AN – Universal I/O can be made into ANY GALX-1042xxx board.

List Price: \$630.00

Part No.	Board Function	Floors	F/R Opening
GALX-1042ADN	Code Blue	1 to 12	Rear
GALX-1042AEN	Hall Lantern	2 to 7	Rear
GALX-1042AFN	Inconspicuous Riser	2 to 7	Rear
GALX-1042AHN	Hall Lock-Out	1 to 11	Rear
GALX-1042AJN	Hall Lantern	14 to 19	Rear
GALX-1042AKN	Hall Call	13 to 19	Rear
GALX-1042ALN	Attendant Annunciator	14 to 18	Front
GALX-1042AN	Universal I/O		
GALX-1042ANN	Hall Call	25 to 31	Front
GALX-1042APN	Car Call		Rear
GALX-1042AQN	Floor Lock-Out	1 to 11	Front

Part No.	Board Function	Floors	F/R Opening
GALX-1042ARN	Group Car Call Lock-Out	1 to 11	Rear
GALX-1042ASN	Group Car Call Lock-Out	1 to 11	Front
GALX-1042ATN	Hall Call Lock-Out	24 to 29	Front/Rear
GALX-1042AVN	Car Call Lock-Out	24 to 29	Front/Rear
GALX-1042AWN	Group Car Call Lock-Out	24 to 35	Rear
GALX-1042AXN	Inconspicuous Riser	25 to 29	Front
GALX-1042AYN	Operator Interface		Rear
GALX-1042AZN	Housing Safety		Front
GALX-1042BAN	Hall Lantern	26 to 31	Rear
GALX-1042BBN	Discrete Position Indicator Interface	22 to 33	Front

CONTROLLER

GALaxy III Boards

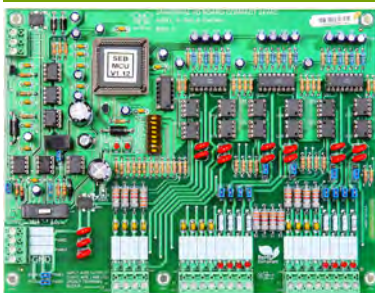
I/O Boards

1042 Series

Part No.	Board Function	Floors	F/R Opening
GALX-1042BCN	Simple Hydro General & Car Call Lockout		Front
GALX-1042BDN	Simple Hydro Hall Call	1 to 5	Front
GALX-1042BEN	Simple Hydro Inconspicuous Riser	1 to 4	Front
GALX-1042BHN	Simple Hydro General & Floor Lockout		Front
GALX-1042BKN	Hall Call	37 to 43	Front
GALX-1042BLN	Hall Call	49 to 55	Front
GALX-1042BMN	Car Call Lock-Out	24 to 35	Front
GALX-1042BN	Car Call	1 to 5	Front
GALX-1042BNN	Simple Hydro Binary Position Indicator		Front
GALX-1042BON	Car Call	37 to 48	Front
GALX-1042BPN	Simple Hydro Discrete Position Indicator		Front
GALX-1042BSN	Inconspicuous Riser	49 to 60	Rear
GALX-1042BTN	Inconspicuous Riser	37 to 43	Front
GALX-1042BUN	Inconspicuous Riser	49 to 55	Front
GALX-1042BWN	Car Call	42 to 53	Rear
GALX-1042BXN	Simple Hydro Code Blue	1 to 5	Front
GALX-1042BYN	Hall Lantern	13 to 31	Front
GALX-1042BZN	Floor Lock-Out	25 to 35	
GALX-1042CBN	Emergency Brake Sheave		
GALX-1042CCN	VIP W/Out Code Blue, VIP W/Front Code Blue	1 to 12	Front
GALX-1042CFN	Message Interface		Front
GALX-1042CGN	Car Call Lock-Out	26 to 35	
GALX-1042CHN	Hall Call	25 to 31	Rear

Part No.	Board Function	Floors	F/R Opening
GALX-1042CJN	Manual Brake Pick		
GALX-1042CKN	Manual Brake Pick Ext		
GALX-1042CN	Car Call	13 to 24	Front
GALX-1042DJN	Serial Hall Aux I/O		Front
GALX-1042DN	Hall Call	1 to 7	Front
GALX-1042EN	Hall Call	13 to 19	Front
GALX-1042FN	Hall Lantern	2 to 6	Front
GALX-1042GN	Hall Lantern	14 to 19	Front
GALX-1042HN	Car Call Lock-Out	1 to 11	
GALX-1042JN	Binary Position Indicator Interface	1 to 7	Front
GALX-1042KN	Discrete Position Indicator Interface	1 to 9	Front
GALX-1042MN	Car Call	1 to 10	Rear
GALX-1042NN	Hall Call	2 to 6	Rear
GALX-1042ON	Floor Lock-Out	1 to 11	
GALX-1042PN	Hall Call Lock-Out	1 to 11	
GALX-1042QN	Inconspicuous Riser	1 to 7	Front
GALX-1042RN	Inconspicuous Riser	13 to 19	Front
GALX-1042TN	Car Call Lock-Out	1 to 11	
GALX-1042UN	Code Blue	1 to 12	Front
GALX-1042VN	Hydro Message Interface		Front
GALX-1042YN	Attendant Annunciator	2 to 7	Rear
GALX-1042ZN	Attendant Annunciator	1 to 7	Front

1043 Series



Universal I/O board:

Compact size, 8 3/32" x 8 3/16"

24 I/O, rated @ 24 VAC, with Standard Screw Terminals.

Used for multiple purposes. [See table.](#)

GALX-1043AN – Universal I/O can be made into ANY GALX-1043xxx board.

List Price: \$630.00

Part No.	Board Function	Floors	F/R Opening
GALX-1043ADN	Code Blue	1 to 12	Rear
GALX-1043AEN	Hall Lantern	2 to 7	Rear
GALX-1043AFN	Inconspicuous Riser	2 to 7	Rear
GALX-1043AHN	Hall Lock-Out	1 to 11	
GALX-1043AJN	Hall Lantern	14 to 19	Front
GALX-1043AKN	Hall Call	13 to 19	Rear
GALX-1043ALN	Attendant Annunciator	14 to 18	Front
GALX-1043AN	Universal I/O		
GALX-1043ANN	Hall Call	25 to 31	Front
GALX-1043APN	Car Call	18 to 29	Rear
GALX-1043AQN	Floor Lock-Out	1 to 11	

Part No.	Board Function	Floors	F/R Opening
GALX-1043ARN	Group Car Call Lock-Out	1 to 11	Front
GALX-1043ASN	Group Car Call Lock-Out	1 to 11	Rear
GALX-1043AVN	Car Call Lock-Out	24 to 29	Front/Rear
GALX-1043AWN	Group Car Call Lock-Out	24 to 29	Rear
GALX-1043AXN	Inconspicuous Riser	25 to 29	Front
GALX-1043BAN	Hall Lantern	26 to 31	Rear
GALX-1043BBN	Discrete Position Indicator Interface	22 to 33	Front
GALX-1043BCN	Simple Hydro General & Car Call Lockout		Front
GALX-1043BEN	Attendant Annunciator	14 to 18	Rear

CONTROLLER

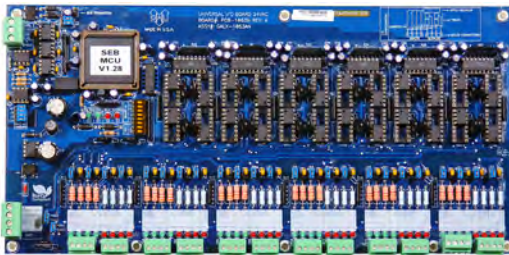
GALaxy III Boards

I/O Boards

1043 Series

Part No.	Board Function	Floors	F/R Opening	Part No.	Board Function	Floors	F/R Opening
GALX-1043BKN	Hall Call	37 to 43	Front	GALX-1043EN	Hall Call	13 to 19	Front
GALX-1043BLN	Hall Call	49 to 54	Front	GALX-1043FN	Hall Lantern	2 to 6	Front
GALX-1043BMN	Car Call Lock-Out	24 to 35	Front	GALX-1043GN	Hall Lantern	14 to 19	Rear
GALX-1043BN	Car Call	1 to 5	Front	GALX-1043HN	Car Call Lock-Out	1 to 11	Front
GALX-1043BON	Car Call	37 to 48	Front	GALX-1043JN	Binary Position Indicator Interface	1 to 7	Front
GALX-1043BSN	Inconspicuous Riser	49 to 60	Rear	GALX-1043KN	Discrete Position Indicator Interface	1 to 9	Front
GALX-1043BTN	Inconspicuous Riser	37 to 43	Front	GALX-1043MN	Car Call	1 to 10	Rear
GALX-1043BUN	Inconspicuous Riser	49 to 55	Front	GALX-1043NN	Hall Call	1 to 7	Rear
GALX-1043BWN	Car Call	42 to 53	Rear	GALX-1043ON	Floor Lock-Out	1 to 11	Rear
GALX-1043BYN	Hall Lantern	25 to 31	Front	GALX-1043PN	Hall Call Lock-Out	1 to 11	Rear
GALX-1043BZN	Floor Lock-Out	24 to 35	Rear	GALX-1043QN	Inconspicuous Riser	13 to 19	Front
GALX-1043CCN	VIP W/Out Code Blue, VIP W/Front Code Blue	1 to 12	Front	GALX-1043RN	Inconspicuous Riser		Front
GALX-1043CEN	Binary Position Indicator Interface		Rear	GALX-1043TN	Car Call Lock-Out	1 to 11	Front
GALX-1043CGN	Car Call Lock-Out	24 to 35	Front	GALX-1043UN	Code Blue	1 to 12	Front
GALX-1043CHN	Hall Call	25 to 31	Rear	GALX-1043VN	Hydro Message Interface		Rear
GALX-1043CN	Car Call	13 to 24	Front	GALX-1043YN	Attendant Annunciator	2 to 7	Front
GALX-1043DJN	Serial Hall Aux I/O		Front	GALX-1043ZN	Attendant Annunciator	1 to 6	Front
GALX-1043DN	Hall Call	1 to 7	Front				

1063 Series



Universal I/O board:

Full size, 8 1/8" x 12 3/8"

48 I/O, rated @ 24 VAC, with Molex Terminals.

Used for multiple purposes. [See table.](#)

GALX-1063AN – Universal I/O can be made into ANY GALX-1063xxx board.

List Price: \$630.00

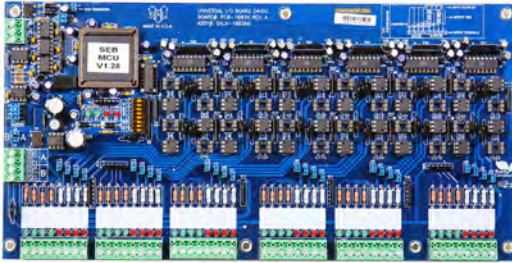
Part No.	Board Function	Floors	F/R Opening	Part No.	Board Function	Floors	F/R Opening
GALX-1063AAN	Car Call	1 to 12	Front	GALX-1063JN	Car Call Lock-Out		
GALX-1063ABN	Car Call	1 to 17	Front/Rear	GALX-1063MN	Cross Assignment	13 to 25	Front
GALX-1063ACN	Car Call	13 to 36	Front	GALX-1063NN	Cross Assignment	25 to 31	Front
GALX-1063ADN	Car Call	18 to 41	Front	GALX-1063RN	Cross Assignment	25 to 37	Front
GALX-1063AEN	Car Call	37 to 60	Front	GALX-1063SN	Cross Assignment	37 to 49	Front
GALX-1063AFN	Car Call	42 to 60	Rear	GALX-1063TN	Cross Assignment	49 to 60	Front
GALX-1063AN	Universal I/O			GALX-1063UN	General Purpose		
GALX-1063CN	Car Call	13 to 24	Front	GALX-1063VN	Cross Cancellation	25 to 37	Front
GALX-1063DN	Cross Assignment	1 to 13	Front	GALX-1063XN	Car Call	29 to 24	Front

CONTROLLER

GALaxy III Boards

I/O Boards

1083 Series



Universal I/O board:

Full size, 8 1/8" x 12 3/8"

48 I/O, rated @ 24 VDC, with Standard Screw Terminal.

Used for multiple purposes. [See table.](#)

GALX-1083AN – Universal I/O can be made into ANY GALX-1083xxx board.

List Price: \$630.00

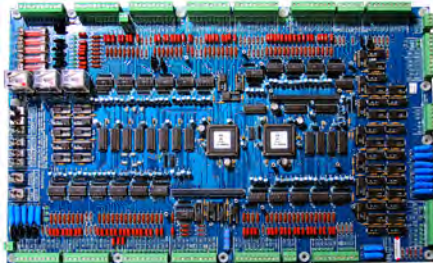
(Note: **GALX-1083VN** List Price: \$1,236.00)

Part No.	Board Function	Floors	F/R Opening
GALX-1083AN	Universal I/O		
GALX-1083BN	Car Call	1 to 12	Front
GALX-1083CN	Car Call	13 to 36	Front
GALX-1083DN	Hall Call	1 to 13	Front
GALX-1083EN	Hall Call	13 to 25	Front
GALX-1083FN	Hall Lantern	1 to 13	Front
GALX-1083GN	Hall Lantern	13 to 25	Front
GALX-1083HN	Car Call	1 to 12	Front
GALX-1083IN	Car Call	13 to 36	Front
GALX-1083JN	Hall Call	1 to 13	Front
GALX-1083KN	Hall Call	13 to 25	Front

Part No.	Board Function	Floors	F/R Opening
GALX-1083LN	Hall Lantern	1 to 13	Front
GALX-1083MN	Hall Lantern	13 to 25	Rear
GALX-1083NN	Car Call	1 to 17	Rear
GALX-1083ON	Car Call	1 to 17	Rear
GALX-1083PN	Hall Call	1 to 13	Rear
GALX-1083QN	Hall Call	1 to 13	Rear
GALX-1083RN	Hall Lantern	1 to 13	Rear
GALX-1083SN	Hall Lantern	1 to 13	Front
GALX-1083TN	Discrete Position Indicator	1 to 21	Rear
GALX-1083UN	Discrete Position Indicator	1 to 21	Front
GALX-1083VN	Hall Lantern	13 to 25	Rear

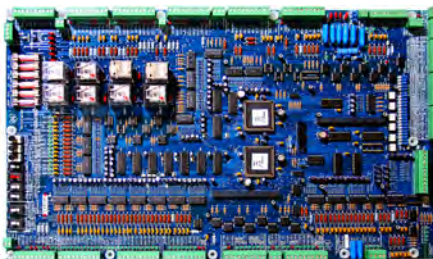
Main I/O Boards

1039 Series



Part No.	Description	List Price
GALX-1039AN	Board, Hydro Simplex Main I/O	\$1,050.00
GALX-1039BN	Board, Hydro Simplex Main I/O (NYC)	\$1,050.00
GALX-1039CN	Board, Hydro S Main I/O Controller Stop	\$1,050.00
GALX-1039DN	Board, Hydro S Main I/O NYC Controller Stop Bypass	\$1,050.00

1064 Series



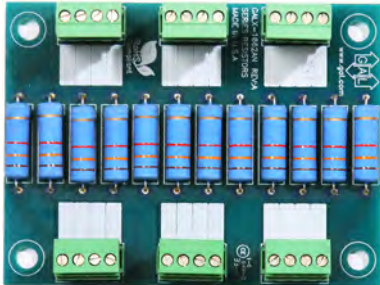
Part No.	Description	List Price
GALX-1064AN	Board, Traction Main I/O Revised	\$1,163.00
GALX-1064BN	Board, Traction Main I/O Revised NYC	\$1,163.00
GALX-1064CN	Board, Hydro-C Main I/O Revised	\$1,163.00
GALX-1064DN	Board, Hydro-C Main I/O Revised NYC	\$1,163.00
GALX-1064EN	Board, Hydro-C Main I/O Controller Stop Bypass	\$1,163.00
GALX-1064FN	Board, Hydro-C Main I/O NYC Controller Stop Bypass	\$1,163.00
GALX-1064GN	Board, Traction Main I/O Australia	\$1,163.00

CONTROLLER

GALaxy III Boards

Resistor Series Boards

1062 Series



Part No.	Description	List Price
GALX-1062AAN	Board, 15K Series Resistor 2D to 13D	\$62.00
GALX-1062ABN	Board, 15K Series Resistor 1U to 12U	\$62.00
GALX-1062ACN	Board, 15K Series Resistor 14D to 25D	\$62.00
GALX-1062ADN	Board, 15K Series Resistor 13U to 24U	\$62.00
GALX-1062AEN	Board, 15K Series Resistor 26D to 37D	\$62.00
GALX-1062AFN	Board, 15K Series Resistor 25U to 36D	\$62.00
GALX-1062AN	Board, Series Resistor Feed Thru	\$62.00
GALX-1062BN	Board, Series Resistor 2D to 13D No Resistor	\$62.00
GALX-1062CN	Board, Series Resistor 1U to 12U No Resistor	\$62.00
GALX-1062DN	Board, Series Resistor 14D to 25D No Resistor	\$62.00
GALX-1062EN	Board, Series Resistor 13U to 24U No Resistor	\$62.00
GALX-1062FN	Board, Series Resistor 26D to 37D No Resistor	\$62.00
GALX-1062GN	Board, Series Resistor 25U to 36U No Resistor	\$62.00
GALX-1062HN	Board, 3.3K Series Resistor 2D to 13D	\$62.00
GALX-1062IN	Board, 3.3K Series Resistor 1U to 12U	\$62.00
GALX-1062JN	Board, 3.3K Series Resistor 14D to 25D	\$62.00
GALX-1062KN	Board, 3.3K Series Resistor 13U to 24U	\$62.00
GALX-1062MN	Board, 3.3K Series Resistor 25U to 36U	\$62.00
GALX-1062NN	Board, Series Resistor 38D to 49D No Resistor	\$62.00
GALX-1062ON	Board, Series Resistor 27U to 48U No Resistor	\$62.00
GALX-1062PN	Board, 1K Series Resistor 2D to 13D	\$62.00
GALX-1062QN	Board, 1K Series Resistor 1U to 12U	\$62.00
GALX-1062RN	Board, 1K Series Resistor 14D to 25D	\$62.00
GALX-1062SN	Board, 1K Series Resistor 13U to 24U	\$62.00
GALX-1062UN	Board, 1K Series Resistor 25U to 36U	\$62.00

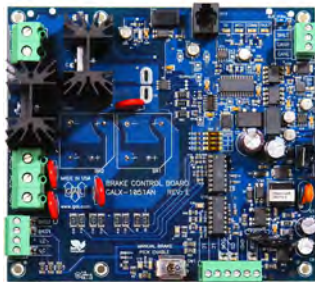
Brakes & Brake Relay Boards

GALX-1047AN



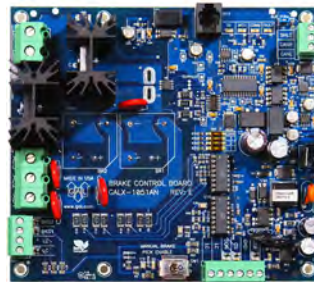
Board, Electronic Brake Controller
List Price: \$630.00

GALX-1051AN



Board, Brake Control 3 Phase 10A
Max 20A PK
List Price: \$630.00

GALX-1051BN



Board, Brake Control 3 Phase 50A
Max 100A PK
List Price: \$630.00

GALX-1053AN



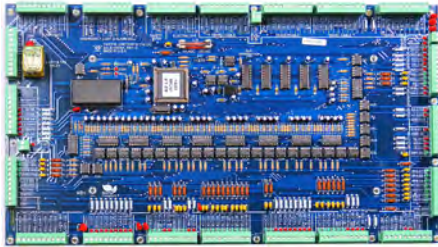
Board, Brake Relays Max 4A
List Price: \$630.00

CONTROLLER

GALaxy III Boards

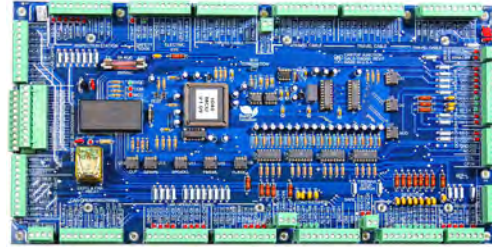
Car Top Interface Boards

GALX-1037AN



Board, Large Car Top
List Price: \$675.00

GALX-1040AN



Board, Small Car Top
List Price: \$524.00

CPU Boards

Note: Refer to GALX-1100AN for replacement.

GALX-0056N



Board, CPU Traction DF With DI
ROM DOS
List Price: \$1,005.00

GALX-0057N



Board, CPU Traction NDF With DI
ROM DOS
List Price: \$1,005.00

GALX-0058N



EPROM Chip for GALX-0058N

Board, CPU Simplex Hydro With DI
ROM DOS
List Price: \$810.00

GALX-0059N



EPROM Chip for GALX-0058N

Board, CPU Complex Hydro With DI
ROM DOS
List Price: \$810.00

Galaxy Boards

Cross Assignment Boards

GALX-1059AN



Board, Cross Assignment 1-13 Floors, 120 VAC
List Price: \$1,615.00

GALX-1059EN



Board, Cross Assignment 13-25 Floors, 24 VAC
List Price: \$812.00

GALX-1059FN



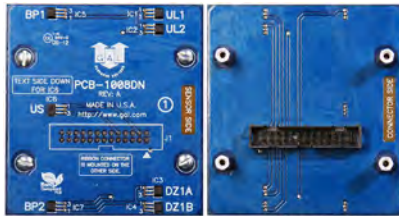
Board, Cross Assignment 25-37 Floors, 24 VAC
List Price: \$1,163.00

CONTROLLER

GALaxy III Boards

Selector Boards

GALX-1008DN

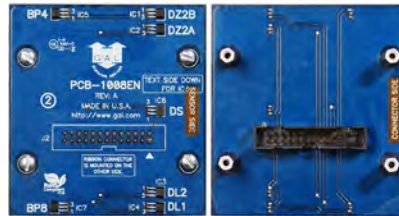


SENSOR SIDE

CONNECTOR SIDE

Board, Selector Sensor D BP1, BP2
List Price: \$75.00

GALX-1008EN



SENSOR SIDE

CONNECTOR SIDE

Board, Selector Sensor E BP4, BP8
List Price: \$75.00

GALX-1008FN

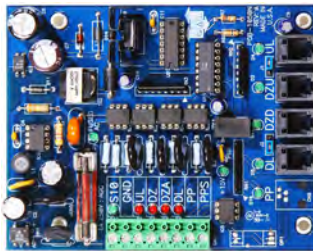


SENSOR SIDE

CONNECTOR SIDE

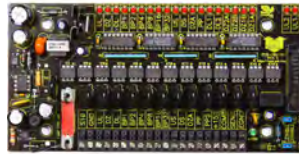
Board, Selector Sensor F BP16, BP32
List Price: \$75.00

GALX-1050AN



Board, Compact Selector
List Price: \$262.00

GALX-1011BN



Board, Selector Driver
List Price: \$675.00

Position Indicator Boards

CEE-0044N



Board, Driver Control Galcan-C Special Build
List Price: \$282.00

CEE-0062N



Board, Driver Can-Bus Control 32 Display Emotive
List Price: \$340.00

CEE-0076N



Board, SMCDU Control Driver
List Price: \$315.00

CONTROLLER

GALaxy III Boards

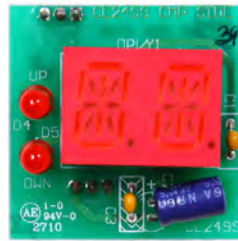
Position Indicator Boards

CEE-0018N



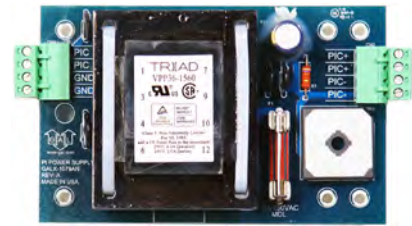
Alternate, Message Module MAMM1
List Price: \$413.00

CEE-0021N



Display, Led Digital 1/2"H-2Ch-Mdisp
List Price: \$128.00

GALX-1079AN



Board, PI Power Supply
List Price: \$140.00

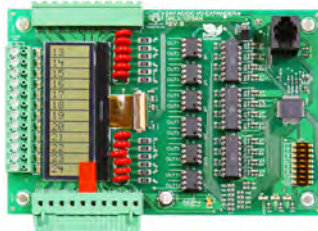
Spectralite Boards

GALX-1076AN



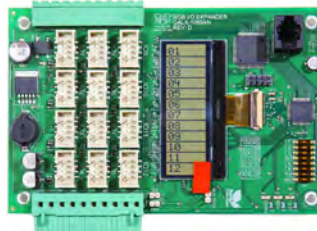
Board, I/O Board With Power and Iso Comm
List Price: \$630.00

GALX-1078AN



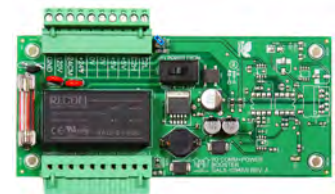
Board, I/O Expander 24V AC/DC
List Price: \$630.00

GALX-1089AN



Board, RGB Plug/Play I/O Expander
List Price: \$630.00

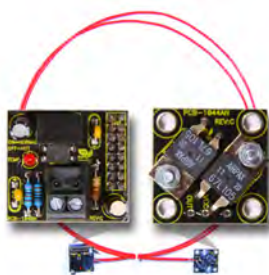
GALX-1094AN



Board, Expandable I/O Power/Comm Boost
List Price: \$234.00

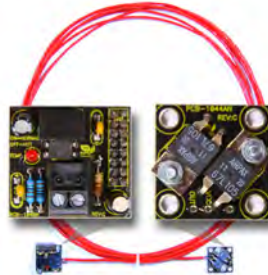
Miscellaneous Boards

GALX-0115N



Assembly, DB Resistor/Interface Board Temp Sensor 6' Lg
List Price: \$68.00

GALX-0116N



Assembly, DB Resistor/Interface Board Temp Sensor 18' Lg
List Price: \$120.00

GALX-1066AN



Board, Trac/Hydro SPB Safety Monitor
List Price: \$630.00

GALX-1091AN



Board, Serial Hall Power Feed Thru
List Price: \$103.00

CONTROLLER

GALaxy III Boards

Miscellaneous Boards

GALX-1057AN



Board, Serial Hall Driver
List Price: \$390.00

GALX-0027N



Board, VGA Monitor/Keyboard Connector
List Price: \$105.00

GALX-0224N



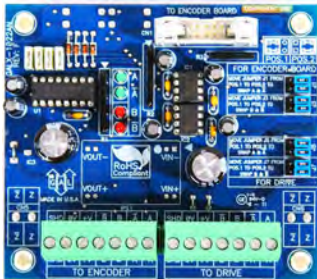
Board, Dual Serial Port
List Price: \$135.00

GALX-1021AN



Board, LCD Display
List Price: \$594.00

GALX-1022AN



Board, Encoder Isolation
List Price: \$254.00

GALX-1036BN



Board, Communication Memory Above 29 Floors
List Price: \$300.00

GALX-1045N



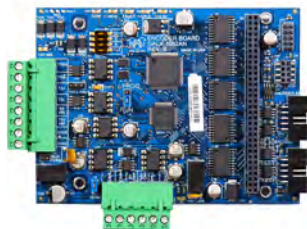
Board, RS232 to RS485 Converter
List Price: \$180.00

GALX-1068AN



Board, GALaxy Analog Load Weigh/Tempense
List Price: \$113.00

GALX-1092AN



Board, PC104 Encoder Interface Inc/Can/485
List Price: \$630.00

CONTROLLER

GALaxy II Boards



Part No.	Description	List Price
GALX-0033N	Board, Can Driver PC104	\$1,028.00
GALX-0034N	Board, CPU Traction SAT-DX4	\$1,743.00
GALX-0035N	Board, CPU Hydro SAT-V41	\$1,743.00
GALX-1006BN	Board, Relay II Rev D	\$1,275.00
GALX-1008AN	Board, Selector Sensor A	\$135.00
GALX-1008BN	Board, Selector Sensor B	\$135.00
GALX-1008CN	Board, Selector Sensor > 15 Floors	\$135.00
GALX-1010AN	Board, Main I/O	\$975.00
GALX-1011AN	Board, Selector Driver (Old Rev)	\$270.00
GALX-1012AN	Board, Expansion I/O Driver	\$128.00
GALX-1012BN	Board, 1006 Driver	\$128.00
GALX-1012PN	Board, Scurve Driver	\$150.00
GALX-1015AN	Board, Scurve A1015	\$795.00
GALX-1033AN	Board, Power Supply 5V +15V - 15V	\$330.00

CONTROLLER

AC Drives & Regen Units

KEB Drive



KEB COMBIVERT F5 provides different levels of power ranges that can be precisely tailored for the application.

IMPORTANT NOTE: All drives and/or Regen units are configured to be used with new or existing G.A.L. GALaxy controllers ONLY. All drive and/or Regen unit warranty exchanges or returns must be pre-approved by both G.A.L. and drive manufacture – please call GAL for authorization approval.

Geared - 230 V.A.C.

Part No.	Mfg Part ID	AMP	List Price
DRV-0200N	13.F5.A1E-PLB2	22	\$3,160.00
DRV-0201N	14.F5.A1E-PLB2	28	\$3,160.00
DRV-0184N	14.F5.A1G-PLB2	28	\$6,892.00
DRV-0202N	15.F5.A1G-PLB2	42	\$3,722.00
DRV-0203N	15.F5.A1G-PLB3	42	\$4,069.00
DRV-0204N	16.F5.A1H-PLB2	57	\$4,896.00
DRV-0205N	17.F5.A1H-PLB3	84	\$6,832.00
DRV-0195N	19.F5.A1R-PLB3	104	\$8,974.00
DRV-0196N	21.F5.A1R-PLB2	154	\$12,374.00

Gearless - 230 V.A.C.

Part No.	Mfg Part ID	AMP	List Price
DRV-0151N	12.F5.A1D-PLP2	15.2	\$3,160.00
DRV-0146N	14.F5.A1E-PLP2	28	\$3,556.00
DRV-0149N	15.F5.A1G-PLP2	42	\$3,978.00
DRV-0140N	15.F5.A1G-PLP3	42	\$4,334.00
DRV-0142N	16.F5.A1H-PLP2	57	\$5,524.00
DRV-0141N	17.F5.A1H-PLP2	84	\$5,763.00
DRV-0147N	17.F5.A1H-PLP3	84	\$11,562.00
DRV-0145N	19.F5.A1R-PLP2	104	\$9,535.00
DRV-0150N	19.F5.A1R-PLP3	104	\$9,229.00
DRV-0136N	20.F5.A1R-PLP2	130	\$10,530.00
DRV-0129N	21.F5.A1R-PLP2	154	\$12,628.00

Geared - 460 V.A.C.

Part No.	Mfg Part ID	AMP	List Price
DRV-0206N	13.F5.A1E-RLB2	11	\$3,160.00
DRV-0207N	14.F5.A1E-RLB2	14	\$3,298.00
DRV-0208N	15.F5.A1E-RLB2	21	\$3,556.00
DRV-0209N	16.F5.A1G-RLB2	27	\$4,334.00
DRV-0210N	17.F5.A1G-RLB2	34	\$4,952.00
DRV-0211N	18.F5.A1H-RLB2	40	\$6,371.00
DRV-0212N	19.F5.A1H-RLB2	52	\$6,646.00
DRV-0197N	20.F5.A1H-RLB2	65	\$8,454.00
DRV-0213N	22.F5.A1R-RLB2	96	\$10,722.00
DRV-0214N	22.F5.A1R-RLB3	96	\$11,178.00
DRV-0215N	24.F5.A1U-RLB2	172	\$23,974.00
DRV-0216N	26.F5.A1U-RLB2	231	\$27,290.00

Gearless - 460 V.A.C.

Part No.	Mfg Part ID	AMP	List Price
DRV-0152N	12.F5.A1D -RLP2	7.6	\$3,160.00
DRV-0153N	13.F5.A1E -RLP2	11	\$3,298.00
DRV-0154N	14.F5.A1E -RLP2	14	\$3,556.00
DRV-0155N	15.F5.A1E -RLP2	21	\$4,567.00
DRV-0138N	15.F5.A1G-RLP2	21	\$4,952.00
DRV-0102N	16.F5.A1G-RLP2	27	\$4,616.00
DRV-0156N	17.F5.A1G -RLP2	34	\$5,206.00
DRV-0131N	17.F5A.1H-RLP2	34	\$8,772.00
DRV-0099N	18.F5.A1H-RLP2	40	\$11,723.00
DRV-0100N	19.F5.A1H-RLP2	52	\$7,875.00
DRV-0097N	20.F5.A1H-RLP2	64	\$11,562.00
DRV-0101N	22.F5.A1R-RLP2	96	\$14,250.00
DRV-0148N	22.F5.A1R-RLP3	96	\$14,250.00
DRV-0157N	24.F5.A1U -RLP2	172	\$24,228.00
DRV-0130N	26.F5.A1U-RLP2	231	\$23,410.00

AC Drives & Regen Units

Magnetek DSD 412 Drive



Magnetek's DSD 412 is the DC drive of choice throughout the elevator industry and the world. These drives can be used on both geared and gearless elevator systems.

IMPORTANT NOTE: All drives and/or Regen units are configured to be used with new or existing G.A.L. GALaxy controllers ONLY. All drive and/or Regen unit warranty exchanges or returns must be pre-approved by both G.A.L. and drive manufacture – please call GAL for authorization approval.

Part No.	Mfg Part ID	AMP	List Price
DRV-0115N	53ST0164-4A00	25	\$9,226.00
DRV-0044N	53ST0309-4A00	50	\$9,226.00
DRV-0042N	53ST0609-4A00	100	\$9,225.00
DRV-0043N	53ST1259-4A00	190	\$10,843.00
DRV-0068N	53ST2009-4A00	300	\$17,036.00

CONTROLLER

AC Drives & Regen Units

Magnetek H9S2 Drive



Magnetek's HPV 900 Series 2 AC Elevator Drive continues the tradition of high performance, high overload capacity and long-life reliability. It is designed for both new installations and modernization projects, and provides advanced closed-loop vector control for superior performance.

IMPORTANT NOTE: All drives and/or Regen units are configured to be used with new or existing G.A.L. GALaxy controllers ONLY. All drive and/or Regen unit warranty exchanges or returns must be pre-approved by both G.A.L. and drive manufacture – please call GAL for authorization approval.

Part No.	Voltage	Mfg Part ID	Motor	List Price
DRV-0171N	230 V.A.C.	H9-2031-2E1-01	10 HP	\$3,076.00
DRV-0172N	230 V.A.C.	H9-2041-2E1-01	15 HP	\$5,050.00
DRV-0173N	230 V.A.C.	H9-2052-2E1-01	20 HP	\$5,440.00
DRV-0181N	230 V.A.C.	H9-2075-2E1-01	25 HP	\$6,570.00
DRV-0186N	230 V.A.C.	H9-2098-2E1-01	40 HP	\$10,199.00
DRV-0168N	230 V.A.C.	H9-2025-2E1-01	7.5 HP	\$2,952.00
DRV-0174N	460 V.A.C.	H9-4016-2E1-01	10 HP	\$3,030.00
DRV-0175N	460 V.A.C.	H9-4021-2E1-01	15 HP	\$4,212.00
DRV-0176N	460 V.A.C.	H9-4027-2E1-01	20 HP	\$4,714.00
DRV-0169N	460 V.A.C.	H9-4034-2E1-01	25 HP	\$6,090.00
DRV-0188N	460 V.A.C.	H9-4041-2E1-01	30 HP	\$8,585.00
DRV-0189N	460 V.A.C.	H9-4052-2E1-01	40 HP	\$8,116.00
DRV-0190N	460 V.A.C.	H9-4065-2E1-01	50 HP	\$10,723.00
DRV-0191N	460 V.A.C.	H9-4072-2E1-01	60 HP	\$13,636.00
DRV-0192N	460 V.A.C.	H9-4096-2E1-01	70 HP	\$14,160.00

Regen Unit



IMPORTANT NOTE: All drives and/or Regen units are configured to be used with new or existing G.A.L. GALaxy controllers ONLY. All drive and/or Regen unit warranty exchanges or returns must be pre-approved by both G.A.L. and drive manufacture – please call GAL for authorization approval.

Part No.	Use With	Voltage	Mfg Part ID	AMP	List Price
DRV-0112N	HPV Drive	230 V.A.C.	RC5-230-0400	40	\$4,212.00
DRV-0113N	HPV Drive	230 V.A.C.	RC5-230-0600	60	\$4,562.00
DRV-0114N	HPV Drive	230 V.A.C.	RC5-230-0800	80	\$8,585.00
DRV-0111N	HPV Drive	230 V.A.C.	RC5-230-1000	100	\$8,585.00
DRV-0095N	HPV Drive	460 V.A.C.	RC5-460-0400	40	\$7,264.00
DRV-0093N	HPV Drive	460 V.A.C.	RC5-460-0600	60	\$10,723.00
DRV-0094N	HPV Drive	460 V.A.C.	RC5-460-0750	75	\$8,560.00
DRV-0098N	HPV Drive	460 V.A.C.	RC5-460-1000	100	\$16,782.00
DRV-0159N	KEB Drive	230 V.A.C.	25.R6.S3E-R00A	221	\$14,909.00
DRV-0158N	KEB Drive	460 V.A.C.	15.R6.S3E-R00A	26	\$4,069.00
DRV-0096N	KEB Drive	460 V.A.C.	19.R6.S3E-R00A	70	\$6,647.00

AC Drives & Regen Units

CONTROLLER

AC Drives & Regen Units

Drive Board



The HPV 900 is the only commercially provided AC Drive designed from the ground up as an Elevator Drive. It employs the latest and best technology available to achieve the performance and reliability demanded by the industry.

IMPORTANT NOTE: All drives and/or Regen units are configured to be used with new or existing G.A.L. GALaxy controllers ONLY. All drive and/or Regen unit warranty exchanges or returns must be pre-approved by both G.A.L. and drive manufacture – please call GAL for authorization approval.

Part No.	Description	List Price
DRV-0079N	Board, Main Control HPV900 Drive	\$3,525.00
DRV-0090N	Board, Main Control HPV600 Drive	\$1,500.00
DRV-0137N	Board, HPV600 Drive Communication	\$1,500.00
DRV-0143N	Board, Main Control KEB	\$1,300.00
DRV-0144N	Board, Communication KEB Geared	\$726.00
DRV-0182N	Board, Main Control DSD 412	\$7,015.00

Traveling Cables & Harnesses

TRAVELING CABLES & GRIPS



TRAVELING CABLE
HRNS-0001N
HRNS-0023N



GRIP
GRIP-0001N
GRIP-0002N



GRIP-DOUBLE
GRIP-0003N

HARNESSES



HRNS-0002N



HRNS-0003N



HRNS-0004N



HRNS-0005N



HRNS-0012N

Traveling Cables

Part No.	Description	List Price
HRNS-0001N	Cable, CSX57 Traveling (Per Foot)	\$13.00
HRNS-0023N	Cable, CSX77 Traveling (Per Foot)	\$19.50

Traveling Cable Grips

Part No.	Description	List Price
GRIP-0001N	Grip, Universal Bale 1.5"-1.74" Cable Diagram	\$75.60
GRIP-0002N	Grip, Single Eye/Single Weave/Split Rod	\$44.40
GRIP-0003N	Grip, Double Eye/Single Weave/Split Rod	\$45.96

Harnesses

Part No.	Description	List Price
HRNS-0002N	Harness, 15' CTI-Tapeless Selector 8-18G	\$29.26
HRNS-0003N	Harness, 15' CTI-Taped Selector 14-18G+1S	\$52.66
HRNS-0004N	Harness, 15' CTI-MOVFR Can Bus 6-18G+1Shp	\$30.16
HRNS-0005N	Harness, 15' CTI-COP 8-14G+14-18G+2Shp	\$151.20
HRNS-0012N	Harness, 10' CTI-MOVFR Standard 14-18G	\$52.66

CONTROLLER

AC Transformers, Filters & Reactors

Filters

Ripple Filters (Chokes)



A Ripple Filter can be used with any controller as needed to reduce audible noise on DC SCR installations.

Shipping Weight: range from 100-1000 lbs.
AMP: range from 60-350 A

Stackable and Non-Stackable

Type B: Bottom Mounted | **Type T:** Top Mounted

Part No.	AMP	Description	List Price
XFER-0109N	60	Stackable	\$3,426.00
XFER-0056N	100	Stackable	\$3,668.00
XFER-0068N	150	Stackable	\$4,068.00
XFER-0059N	200	Stackable	\$5,240.00
XFER-0096N	250	Stackable	\$6,610.00
XFER-0197N	300	Stackable	\$9,284.00
XFER-0286N	60	Type B	\$3,426.00
XFER-0287N	100	Type B	\$3,663.00
XFER-0257N	150	Type B	\$4,068.00
XFER-0281N	200	Type B	\$5,240.00

Part No.	AMP	Description	List Price
XFER-0288N	250	Type B	\$7,112.00
XFER-0289N	300	Type B	\$10,220.00
XFER-0553N	60	Type T	\$3,426.00
XFER-0554N	100	Type T	\$3,663.00
XFER-0323N	150	Type T	\$4,068.00
XFER-0351N	200	Type T	\$5,240.00
XFER-0557N	250	Type T	\$7,112.00
XFER-0558N	300	Type T	\$10,220.00
XFER-0571N	350	Type T	\$12,238.00

Line Filters



A Line Filter is used in any Traction or Hydro Controller and Regen Unit to attenuate EMI and noise that enter equipment.

Part No.	Voltage	AMP	List Price
ELF-0003N	120 A.C.	5	\$198.00
ELF-0080N	480 A.C.	30	\$246.00
ELF-0081N	480 A.C.	55	\$305.00

Part No.	Voltage	AMP	List Price
ELF-0061N	480 A.C.	75	\$452.00
ELF-0082N	480 A.C.	100	\$636.00
ELF-0083N	480 A.C.	180	\$911.00

Trap Filters



A Trap Filter can be used in any controller to remove Interfering frequency from other transmitters.

Part No.	Voltage	AMP	HP	List Price
ELF-0013N	480 A.C.	3	5	\$480.00
ELF-0014N	480 A.C.	3	7.5	\$585.00
ELF-0015N	480 A.C.	3	10	\$585.00
ELF-0016N	480 A.C.	5	15	\$765.00
ELF-0017N	480 A.C.	8	20	\$765.00
ELF-0018N	480 A.C.	8	25	\$915.00
ELF-0019N	480 A.C.	10	30	\$915.00
ELF-0020N	480 A.C.	15	40	\$1,373.00
ELF-0021N	480 A.C.	15	50	\$1,800.00
ELF-0022N	480 A.C.	20	60	\$1,800.00
ELF-0023N	480 A.C.	25	75	\$1,988.00
ELF-0024N	480 A.C.	30	100	\$2,108.00

CONTROLLER

AC Transformers, Filters & Reactors

Reactors



A Line Reactor can be used in any controller to limit current and protect drives and motor.

Part No.	Voltage	AMP	HP	List Price
ELF-0025N	240 A.C.	16.7	5	\$493.00
ELF-0036N	240 A.C.	30.8	10	\$399.00
ELF-0035N	240 A.C.	46.2	15	\$487.00
ELF-0026N	240 A.C.	59.4	20	\$564.00
ELF-0031N	240 A.C.	74.8	25	\$570.00
ELF-0033N	240 A.C.	88	30	\$891.00
ELF-0038N	240 A.C.	114	40	\$1,158.00
ELF-0032N	480 A.C.	14	10	\$422.00
ELF-0043N	480 A.C.	21	15	\$422.00
ELF-0048N	480 A.C.	27	20	\$498.00
ELF-0041N	480 A.C.	34	25	\$673.00
ELF-0042N	480 A.C.	40	30	\$630.00
ELF-0045N	480 A.C.	53	40	\$672.00
ELF-0037N	480 A.C.	65	50	\$910.00
ELF-0049N	480 A.C.	77	60	\$1,025.00
ELF-0054N	480 A.C.	96	75	\$1,590.00

Transformers

Control (General)

XFER-0182N



Primary Volt (AC): 110
 Secondary Volt (AC): 24
 Kilo Volt AMP (KVA): 0.02
 List Price: \$4,541.00

XFER-0004N



Primary Volt (AC): 110/132.5
 Secondary Volt (AC): 22/24
 Kilo Volt AMP (KVA): 0.5
 List Price: \$868.00

XFER-0061N



Primary Volt (AC): 115
 Secondary Volt (AC): 18
 Kilo Volt AMP (KVA): 0.09
 List Price: \$95.00

XFER-0054N



Primary Volt (AC): 120/240
 Secondary Volt (AC): 24
 Kilo Volt AMP (KVA): 0.15
 List Price: \$128.00

XFER-0158N



Primary Volt (AC): 208/240/460
 Secondary Volt (AC): 145
 Kilo Volt AMP (KVA): 0.5
 List Price: \$143.00

XFER-0082N



Primary Volt (AC): 208/240/480
 Secondary Volt (AC): 120/240
 Kilo Volt AMP (KVA): 0.5
 List Price: \$143.00

XFER-0190N



Primary Volt (AC): 208/240/480
 Secondary Volt (AC): 120/240
 Kilo Volt AMP (KVA): 1
 List Price: \$564.00

XFER-0219N



Primary Volt (AC): 240/460
 Secondary Volt (AC): 120/240
 Kilo Volt AMP (KVA): 2
 List Price: \$1,250.00

AC Transformers,
Filters & Reactors

CONTROLLER

AC Transformers, Filters & Reactors

Transformers

Control (General)

XFER-0274N



**J250A1KC1A02
Micron Buck-Boost
Transformers**

Primary Volt (AC): 240/480
Secondary Volt (AC): 24/48
Kilo Volt AMP (KVA): 0.25
List Price: \$270.00

XFER-0043N



Primary Volt (AC): 380/575
Secondary Volt (AC): 220
Kilo Volt AMP (KVA): 0.2
List Price: \$323.00

XFER-0053N



Primary Volt (AC): 480/240
Secondary Volt (AC): 120/240
Kilo Volt AMP (KVA): 0.5
List Price: \$144.00

Control (1 Phase)

XFER-0559N



Primary Volt (AC): 24
Secondary Volt (AC): 230
Kilo Volt AMP (KVA): 1.5
List Price: \$930.00

XFER-0560N



Primary Volt (AC): 24
Secondary Volt (AC): 230
Kilo Volt AMP (KVA): 2
List Price: \$930.00

XFER-0561N



Primary Volt (AC): 24
Secondary Volt (AC): 230
Kilo Volt AMP (KVA): 5
List Price: \$930.00

XFER-0013N



Primary Volt (AC): 110/220
Secondary Volt (AC): 4/8/6
Kilo Volt AMP (KVA): 0.108
List Price: \$114.00

XFER-0018N



Primary Volt (AC): 110/220
Secondary Volt (AC): 12/18
Kilo Volt AMP (KVA): 0.72
List Price: \$825.00

XFER-0032N



Primary Volt (AC): 110/220
Secondary Volt (AC): 14/16
Kilo Volt AMP (KVA): 0.4
List Price: \$263.00

XFER-0239N



Primary Volt (AC): 115
Secondary Volt (AC): 230
Kilo Volt AMP (KVA): 3
List Price: \$1,144.00

XFER-0244N



Primary Volt (AC): 115
Secondary Volt (AC): 115/230
Kilo Volt AMP (KVA): 0.75
List Price: \$848.00

AC Transformers,
Filters & Reactors

CONTROLLER

AC Transformers, Filters & Reactors

Transformers

Control (1 Phase)

XFER-0146N



Primary Volt (AC): 120/240
 Secondary Volt (AC): 24
 Kilo Volt AMP (KVA): 0.35
 List Price: \$128.00

XFER-0206N



Primary Volt (AC): 145
 Secondary Volt (AC): 145
 Kilo Volt AMP (KVA): 0.75
 List Price: \$542.00

XFER-0307N



Primary Volt (AC): 145
 Secondary Volt (AC): 145
 Kilo Volt AMP (KVA): 2
 List Price: \$930.00

XFER-0222N



Primary Volt (AC): 145
 Secondary Volt (AC): 145
 Kilo Volt AMP (KVA): 2.5
 List Price: \$1,570.00

XFER-0264N



Primary Volt (AC): 145
 Secondary Volt (AC): 145
 Kilo Volt AMP (KVA): 3.5
 List Price: \$2,237.00

XFER-0265N



Primary Volt (AC): 145
 Secondary Volt (AC): 145
 Kilo Volt AMP (KVA): 4
 List Price: \$2,324.00

XFER-0223N



Primary Volt (AC): 145
 Secondary Volt (AC): 145
 Kilo Volt AMP (KVA): 3
 List Price: \$3,450.00

XFER-0319N



Primary Volt (AC): 145
 Secondary Volt (AC): 155
 Kilo Volt AMP (KVA): 1
 List Price: \$868.00

XFER-0014N



Primary Volt (AC): 197.6/208/218.4
 Secondary Volt (AC): 10.8/12.12
 Kilo Volt AMP (KVA): 0.1
 List Price: \$204.00

XFER-0020N



Primary Volt (AC): 208/220
 Secondary Volt (AC): 208/220
 Kilo Volt AMP (KVA): 0.75
 List Price: \$825.00

XFER-0019N



Primary Volt (AC): 208/220/240
 Secondary Volt (AC): 208/220/240
 Kilo Volt AMP (KVA): 1
 List Price: \$660.00

XFER-0009N



Primary Volt (AC): 208/220/240
 Secondary Volt (AC): 100/110/120
 Kilo Volt AMP (KVA): 0.5
 List Price: \$300.00

AC Transformers,
 Filters & Reactors

CONTROLLER

AC Transformers, Filters & Reactors

Transformers

Control (1 Phase)

XFER-0238N



Primary Volt (AC): 208/230/400/460/575
 Secondary Volt (AC): 145
 Kilo Volt AMP (KVA): 1
 List Price: \$840.00

XFER-0218N



Primary Volt (AC): 208/230/400/460/575
 Secondary Volt (AC): N/A
 Kilo Volt AMP (KVA): 1.5
 List Price: \$868.00

XFER-0209N



Primary Volt (AC): 208/240/460/575
 Secondary Volt (AC): 145
 Kilo Volt AMP (KVA): 2
 List Price: \$930.00

XFER-0267N



Primary Volt (AC): 208/575/600
 Secondary Volt (AC): 115/230
 Kilo Volt AMP (KVA): 0.5
 List Price: \$542.00

XFER-0017N



Primary Volt (AC): 220/440
 Secondary Volt (AC): 4/8/6
 Kilo Volt AMP (KVA): 0.36
 List Price: \$263.00

XFER-0304N



Primary Volt (AC): 240
 Secondary Volt (AC): 460
 Kilo Volt AMP (KVA): 20
 List Price: \$2,303.00

XFER-0015N



Primary Volt (AC): 240/480
 Secondary Volt (AC): 120
 Kilo Volt AMP (KVA): 0.1
 List Price: \$98.00

XFER-0021N



Primary Volt (AC): 240/480
 Secondary Volt (AC): 120
 Kilo Volt AMP (KVA): 0.2
 List Price: \$180.00

XFER-0213N



Primary Volt (AC): 380/400/415/438
 Secondary Volt (AC): 120
 Kilo Volt AMP (KVA): 0.5
 List Price: \$992.00

XFER-0276N



Primary Volt (AC): 380/400/415/438
 Secondary Volt (AC): 120
 Kilo Volt AMP (KVA): 0.75
 List Price: \$552.00

XFER-0016N



Primary Volt (AC): 400
 Secondary Volt (AC): 220
 Kilo Volt AMP (KVA): 0.5
 List Price: \$300.00

XFER-0011N



Primary Volt (AC): 440/480/575
 Secondary Volt (AC): 208/220
 Kilo Volt AMP (KVA): 0.5
 List Price: \$480.00

AC Transformers,
Filters & Reactors

CONTROLLER

AC Transformers, Filters & Reactors

Transformers

Control (1 Phase)

XFER-0254N



Primary Volt (AC): 480
 Secondary Volt (AC): 115
 Kilo Volt AMP (KVA): 1.5
 List Price: \$930.00

XFER-0268N



Primary Volt (AC): 208/575/600
 Secondary Volt (AC): 115/230
 Kilo Volt AMP (KVA): 0.75
 List Price: \$419.04

XFER-0208N



Primary Volt (AC):
 208/240/460/575
 Secondary Volt (AC): 145
 Kilo Volt AMP (KVA): 1.5
 List Price: \$848.00

XFER-0044N



Primary Volt (AC): N/A
 Secondary Volt (AC): N/A
 Kilo Volt AMP (KVA): N/A
 List Price: \$489.00

XFER-0057N



Primary Volt (AC): N/A
 Secondary Volt (AC): N/A
 Kilo Volt AMP (KVA): 0.5
 List Price: \$1,250.00

XFER-0169N



Primary Volt (AC): N/A
 Secondary Volt (AC): N/A
 Kilo Volt AMP (KVA): 0.75
 List Price: \$686.00

Control (3 Phase)

XFER-0037N



Primary Volt (AC): 197/208/219
 Secondary Volt (AC): 175/185
 Kilo Volt AMP (KVA): 3
 List Price: \$1,050.00

XFER-0034N



Primary Volt (AC): 197/208/219
 Secondary Volt (AC): 175/185/208
 Kilo Volt AMP (KVA): 5
 List Price: \$1,575.00

XFER-0027N



Primary Volt (AC): 197/219
 Secondary Volt (AC): 175/185
 Kilo Volt AMP (KVA): 1
 List Price: \$630.00

XFER-0031N



Primary Volt (AC): 200/220/240
 Secondary Volt (AC):
 100/110/120/208/220
 Kilo Volt AMP (KVA): 5
 List Price: \$1,575.00

AC Transformers,
 Filters & Reactors

CONTROLLER

AC Transformers, Filters & Reactors

Transformers

Control (3 Phase)

XFER-0029N



Primary Volt (AC): 208/220/240
 Secondary Volt (AC): 208/220
 Kilo Volt AMP (KVA): 3
 List Price: \$1,050.00

XFER-0026N



Primary Volt (AC): 208/220/240
 Secondary Volt (AC): 208/220
 Kilo Volt AMP (KVA): 1
 List Price: \$1,500.00

XFER-0023N



Primary Volt (AC): 208/220/240
 Secondary Volt (AC): 208/220/240
 Kilo Volt AMP (KVA): 0.5
 List Price: \$540.00

XFER-0036N



Primary Volt (AC): 440/450/600
 Secondary Volt (AC):
 100/105/115/208/220
 Kilo Volt AMP (KVA): 5
 List Price: \$1,575.00

XFER-0030N



Primary Volt (AC): 440/460/480
 Secondary Volt (AC): 165/175/185
 Kilo Volt AMP (KVA): 3
 List Price: \$1,050.00

XFER-0022N



Primary Volt (AC): 440/480/575
 Secondary Volt (AC): 208/220
 Kilo Volt AMP (KVA): 0.5
 List Price: \$450.00

XFER-0033N



Primary Volt (AC): 440/480/575
 Secondary Volt (AC): 208/220
 Kilo Volt AMP (KVA): 5
 List Price: \$3,072.00

XFER-0025N



Primary Volt (AC): 440/480/575
 Secondary Volt (AC): 208/220
 Kilo Volt AMP (KVA): 1
 List Price: \$630.00

XFER-0028N



Primary Volt (AC): 440/480/575
 Secondary Volt (AC): N/A
 Kilo Volt AMP (KVA): 3
 List Price: \$1,050.00

XFER-0024N



Primary Volt (AC): 440/480/575
 Secondary Volt (AC): 208
 Kilo Volt AMP (KVA): 0.5
 List Price: \$654.00

XFER-0035N



Primary Volt (AC): 440/480/600
 Secondary Volt (AC):
 100/115/208/220
 Kilo Volt AMP (KVA): 5.9
 List Price: \$1,575.00

AC Transformers,
Filters & Reactors

AC Transformers, Filters & Reactors

Transformers

Isolation Transformers



An Isolation Transformer can be used with any controller as needed to transform building voltage to motor voltage, and reduce noise on building power lines.

Shipping Weight: range from 100-1000 lbs.

Primary Voltage: range from 24-600 volts.

Secondary Voltage: range from 1.9-500 volts.

KVA: range from 0.00875-75

Stackable and Non-Stackable

Note: For information & quotes for transformers, filters, & reactors call G.A.L. tech support. Advise capacity, speed, AMPS, & voltage.

CONTROLLER

Resistors

1/4 to 20 Watt



1 Watt



10 Watt



20 Watt

Part No.	Watt	OHMS
RES-0264N	1/4	200
RES-0077N	1/2	5000
RES-0126N	1	470
RES-0127N	1	560
RES-0128N	1	1500
RES-0211N	1	7500
RES-0129N	1	15000
RES-0130N	1	27000

Part No.	Watt	OHMS
RES-0078N	2	25
RES-0079N	5	30
RES-0080N	5	250
RES-0081N	5	3300
RES-0300N	10	500
RES-0197N	10	3300
RES-0082N	10	5000
RES-0301N	10	5000

Part No.	Watt	OHMS
RES-0302N	10	7500
RES-0303N	10	10000
RES-0083N	10	15000
RES-0304N	10	15000
RES-0217N	12	25
RES-0084N	12	75
RES-0257N	20	100
RES-0085N	20	250

Part No.	Watt	OHMS
RES-0074N	20	400
RES-0075N	20	1000
RES-0087N	20	1200
RES-0088N	20	1500
RES-0065N	20	6000
RES-0089N	20	7500
RES-0090N	20	10000
RES-0091N	20	25000

25 to 50 Watt



25 Watt



25 Watt



50 Watt

25 to 50 Watt

Part No.	Watt	OHMS	Band(s)
RES-0092N	25	3000	0
RES-0067N	25	5000	0

25 to 50 Watt

Part No.	Watt	OHMS	Band(s)
RES-0093N	25	25	1
RES-0094N	25	10000	1

25 to 50 Watt

Part No.	Watt	OHMS	Band(s)
RES-0095N	50	250	1
RES-0076N	50	1500	1
RES-0096N	50	50000	1

100 to 200 Watt



100 Watt



200 Watt



200 Watt, Short *

100 Watt

Part No.	Watt	OHMS	Band(s)
RES-0097N	100	100	2
RES-0135N	100	100	3
RES-0136N	100	100	4
RES-0139N	100	100	5

Part No.	Watt	OHMS	Band(s)
RES-0098N	100	175	2
RES-0099N	100	300	2
RES-0137N	100	300	3

Part No.	Watt	OHMS	Band(s)
RES-0138N	100	300	4
RES-0140N	100	300	5
RES-0100N	100	500	2

Resistors

CONTROLLER

Resistors

100 to 200 Watt

200 Watt

* Note: RES-0115N & RES-0116N: Length is 6 1/2" Lg. (short)

Part No.	Watt	OHMS	Band(s)	Part No.	Watt	OHMS	Band(s)	Part No.	Watt	OHMS	Band(s)
RES-0001N	200	10	0	RES-0106N	200	150	2	RES-0109N	200	500	2
RES-0004N	200	50	0	RES-0107N	200	200	2	RES-0110N	200	750	2
RES-0068N	200	50	0	RES-0008N	200	250	0	RES-0011N	200	1000	0
RES-0104N	200	50	2	RES-0069N	200	250	0	RES-0112N	200	1500	2
RES-0115N *	200	50	2	RES-0108N	200	250	2	RES-0113N	200	2500	2
RES-0005N	200	100	0	RES-0116N *	200	250	2	RES-0389N	200	5000	2
RES-0105N	200	100	2	RES-0009N	200	500	0	RES-0114N	200	25000	2

375 to 1600 Watt



Part No.	Watt	OHMS	Band(s)	Part No.	Watt	OHMS	Band(s)	Part No.	Watt	OHMS	Band(s)
RES-0015N	375	1	0	RES-0119N	375	3	2	RES-0297N	375	20	2
RES-0117N	375	1	2	RES-0018N	375	5	0	RES-0388N	375	25	2
RES-0016N	375	2	0	RES-0120N	375	5	2	RES-0390N	1000	5	0
RES-0118N	375	2	2	RES-0019N	375	10	0	RES-0288N	1600	3.91	0
RES-0017N	375	3	0	RES-0121N	375	10	2	RES-0286N	1600	4.4	0

Spiral Resistor



Part No.	Description
RES-0122N	Resistor, Spiral #8 Wire
RES-0123N	Resistor, Spiral #10 Wire
RES-0124N	Resistor, Spiral #12 Wire

Compounding Strip



Description
Part No: RES-0284N
Strip, VV Compounding Shunting
List Price: \$10.00

Resistor Band

HWEL-0001N



Resistor Band, 100 Watts Resistor
List Price: \$6.20

Resistor Band

HWEL-0003N



Resistor Band, 200 Watt MOH & MOM Resistor
List Price: \$6.20

Resistor Band

HWEL-0004N



Resistor Band, 200 Watt MOCT,
(For 1 5/8 x 6 1/2 Res.)
List Price: \$6.00

Resistor Band

HWEL-0007N



Band, 375 Watt Ribwound Resistor
List Price: \$6.20

Resistors

CONTROLLER

Accessories & Parts

Air Conditioner

CAC-0004N



Description
 Conditioner, Air Controller 500W 120 V.A.C
 List Price: \$2,751.00

CAC-0005N



Description
 Conditioner, Air 1600BTU Side Mounting 304 S.S.
 List Price: \$7,744.00

Fault Monitor & Rope Gripper Panel

FM-0014N



Description
 Monitor, "DFM-1" Door Lock F/R/M Fault
 (Front & Rear)
 List Price: 1,100.00

FM-0015N



Description
 Panel Assembly, "RG-1" Rope Gripper &
 "DFM-1" Door Lock Fault Monitor (Re-
 placed RG-0082N)
 List Price: 2,500.00

Brake Panels

BRK-0044N



Brake Panel, Single Phase Rectifier, HW10019
 List Price: \$333.00

BRK-0045N



Brake Panel, Single Phase Rectifier with Trans-
 former. XFER, HW10019-T
 List Price: \$616.00

BRK-0046N



Brake Panel, Three Phase Rectifier, HW10019-1
 List Price: \$401.00

BRK-0047N



Brake Panel, Three Phase Rectifier with Trans-
 former. XFER, HW10019-1-T
 List Price: \$909.00

BRK-0048N



Brake Panel, Two Phase Rectifier, HW10019-2
 List Price: \$462.00

Accessories
& Parts

CONTROLLER

Accessories & Parts

Dynamic Braking Resistor & Box Assemblies



Due to variations with motors used for elevators, there are many arrangements for these resistor assemblies. You must provide the G.A.L. controller number for each elevator found on the data plate in the upper left hand side of the GALaxy controller above the main board.

GALX-0063N



Cover, Controller Cabinet Resistor Box
List Price: \$150.00

GALX-0064N



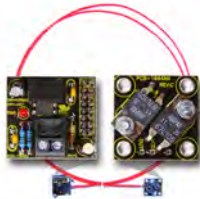
Panel, Controller Cabinet Resistor Box
List Price: \$60.00

GALX-0068N



Box Assembly, Controller Cabinet Resistor
List Price: \$180.00

GALX-0115N



Assembly, D.B. Resistor/Interface Board Temp
Sensor 6" Lg
List Price: \$68.00

GALX-0116N



Assembly, D.B. Resistor/Interface Board Temp
Sensor 18" Lg
List Price: \$120.00

GALX-0032N



Jumper, 4" Lg Wire Resistor Terminal
List Price: \$20.00

Accessories
& Parts

Encoders

ENCO-0032N



Kit, DC Gearless Encoder Brake
Sheave (TU)
List Price: \$1,924.00

ENCO-0008N



Kit Encoder, 2048 PPR 5 V.D.C Dif-
ferential Geared
List Price: \$1,307.00

ENCO-0009N



Kit Encoder, 10000 PPR 5 V.D.C Dif-
ferential Gearless
List Price: \$2,085.00

ENCO-0001N











Mfg Part No.
T8.5800.1P4T.2048.P04A
Encoder, 2048 PPR 5 V.D.C Dif-
ferential
List Price: \$540.00

CONTROLLER

Accessories & Parts

Encoders

<p>ENCO-0006N</p>  <p>Mfg Part No. T8.5805.1PTT.10000.P04A</p> <p>Encoder, 10000 PPR 5 V.D.C Dif-ferential List Price: \$750.00</p>	<p>ENCO-0047N</p>  <p>Mfg Part No. 58B20482DSC8</p> <p>Encoder, Incremental 2048PPR 58MM Shaft List Price: \$692.00</p>	<p>ENCO-0035N</p>  <p>Mfg Part No. T8.5882.3F0B.3001.S017</p> <p>Encoder, Absolute Hollow 12MM Without Cap List Price: \$1,026.00</p>	<p>ENCO-0050N</p>  <p>Kit Encoder, Retrofit 485 To Can Open (Replacement For Encoder Part No. ENCO-0035N) List Price: Contact G.A.L. Sales</p>
<p>ENCO-0033N</p>  <p>Mfg. Part No. T8.5888.540E.2112.S017</p> <p>Encoder, Can Bus 12MM Shaft List Price: \$1,924.00</p>	<p>ENCO-0046N</p>  <p>Mfg. Part No. 58E.12.1218.COA.B00CC5ACF</p> <p>Encoder, Absolute 12MM Shaft Can Open List Price: \$692.00</p>	<p>ENCO-0049N</p>  <p>Mfg. Part No. T8.F5888.500E.2122.S001</p> <p>Encoder, Can Open 1-30 VDC Input List Price: 653.00</p>	<p>ENCO-0038N</p>  <p>Kit, Endat Encoder Option Card S2 PM List Price: \$652.50</p>

Encoder Cables



Part No.	Description	List Price
ENCO-0002N	Cable, Encoder 10 Meter With M12 Connector	\$195.00
ENCO-0007N	Cable, Encoder 15 Meter With M12 Connector	\$180.00
ENCO-0017N	Cable, Encoder 35 Meter With M12 Connector	\$750.00
ENCO-0019N	Cable, Encoder 100 Meter With M12 Connector	\$1,906.00
ENCO-0041N	Cable, Encoder 15 Meter Can Open Encoder	\$318.00
ENCO-0042N	Cable, Encoder 50 Meter Can Open Encoder	\$807.00
ENCO-0043N	Cable, Encoder 75 Meter Can Open Encoder	\$1,350.00
ENCO-0044N	Cable, Encoder 100 Meter Can Open Encoder	\$1,782.00

Encoder Parts

<p>ENCO-0003N</p>  <p>Bracket, Encoder Mounting List Price: \$135.00</p>	<p>ENCO-0004N</p>  <p>Coupling, Encoder Misalign 3/8" Bore List Price: \$135.00</p>	<p>ENCO-0030N</p>  <p>Bracket, Incremental Encoder Right Angle Spring Loaded List Price: \$765.00</p>	<p>ENCO-0031N</p>  <p>Wheel, Rubber (CIL 517) List Price: \$600.00</p>
--	---	--	--

Accessories & Parts

CONTROLLER

Accessories & Parts

GALaxy Documentation Packages



Part No.	Description	List Price
DOC-0005N	Manual, GALaxy Controller DC	\$30.00
DOC-0006N	Manual, GALaxy Controller Hydro C	\$30.00
DOC-0007N	Manual, GALaxy Controller Hydro S	\$30.00
DOC-0008N	Manual, GALaxy Controller VVVF	\$30.00
DOC-0009N	Manual, GALaxy Controller VVVF NDF	\$30.00
DOC-0010N	Manual, Magnetek DSD-412 Drive	\$30.00
DOC-0011N	Manual, Magnetek HPV900 Drive	\$30.00
DOC-0012N	Manual, Magnetek HPV600 Drive	\$30.00
DOC-0013N	Manual, Sprecher + Schuh Soft Start	\$30.00
DOC-0016N	Manual, Siemens Soft Start	\$30.00
DOC-0020N	Manual, Magnetek HPV900 PM Drive	\$31.00
DOC-0023N	Manual, Power Regen Unit VS656RC5	\$31.00
DOC-0027N	Manual, KEB F5 PM Drive	\$31.00
DOC-0028N	Manual, KEB R6 Regen Unit	\$31.00
DOC-0029N	Manual, Model GAL-6400 Hands Free Emergency Telephone	\$31.00
DOC-0030N	Manual, Magnetek Quattro DC Drive	\$31.00
DOC-0044N	Manual, Gar V.A.C Soft Start	\$30.00

GALaxy Cabinet Enclosures and Parts



Part No.	Description	List Price
CAB-0004N	Cabinet, "D" Horizontal Assembly Standard	\$342.00
CAB-0008N	Panel, Hydro Controller Type-D-Mounting Tray	\$185.00
CAB-0018N	Plate, Side Wall PC Board Mounting	\$110.00
CAB-0019N	Legs, Set of 8" Ht Controller Cabinet	\$170.00
CAB-0048N	Cabinet, Traction Control Type "A" Assembly 16" D x 45" W x 66 3/4" H	\$1,485.00
CAB-0071N	Arm, Monitor Mounting	\$25.00
CAB-0076N	Cab Split, 60 x 25.5 x 18 Drive Cabinet	\$2,150.00
CAB-0077N	Cab Back Plate, 58 x 23.5 x 18	\$394.00
CAB-0078N	Cab Split, 72 x 25.5 x 18	\$2,450.00
CAB-0079N	Cab Back Plate, 70 x 23.5	\$495.00
CAB-0085N	Kit, Hinge Replacement (6) A/B Cabs	\$84.00
CAB-0086N	Adapter Kit, Plate With HDW For CAC-0004N	\$120.00
CAB-0097N	Doors, Replacement For "A" Cab With Hardware	\$446.00
GALX-0107N	Cover, A/B Cabinet AC Side Wall Louver, 7" x 34" x 14 Ga. Galvanized	\$32.00

Accessories & Parts

GALaxy Wires and Cables

GALX-0040N



Sensor, NPN 10 To 30 V.D.C 150 MA
List Price: \$75.00

GALX-0140N



Cable, Assembly GALcom 6 Ft Ribbon Red Lion To GAL CPU
List Price: \$60.00

GALX-0239N



Cable, Assembly GALcom 12 Ft Ribbon Red Lion To GAL CPU (Use For Lobby Monitor or Machine Room)
List Price: \$206.00

GALX-0131N



Cable, Assembly For GALX-1045N To CPU, 1092AN-1022AN
List Price: \$60.00

CONTROLLER

Accessories & Parts

GALaxy Wires and Cables

GALX-0213N



Cable, Communication Red Lion To GAL CPU (Use For Lobby Monitor or Machine Room)
List Price: \$150.00

GALX-0225N



Cable, Assembly Serial 10 Pin Header To DB9
List Price: \$14.00

GALX-0227N



Assembly, Cable Serial Link 1036 To DSD 412
List Price: \$21.00

GALX-0261N



Cable, Serial Drive Communication GALaxy Link To KEB Drive
List Price: \$60.00

CONN-0208N



Cable, Serial Drive Communication GALaxy Link To HPV900
List Price: \$95.00

WIRE-0054N



Cable, Serial Drive Communication GALaxy Link To HPV9 v2
List Price: Call

GALX-0049N



Cable, Selector Sensor 3 Connector Ribbon, For Selector With (1-15 Landings)
List Price: \$18.80

GALX-0050N



Cable, Selector Sensor 4 Connector Ribbon, For Selector With (16-29 Landings)
List Price: \$18.80

Accessories & Parts

Load Weighing Units & Parts



Part No.	Description	List Price
GALX-0157N	Sensor, Micelect 1 Per 3/8 Rope, 10 MM	\$316.00
GALX-0158N	Sensor, Micelect 1 Per 1/2 Rope, 13 MM	\$316.00
GALX-0159N	Sensor, Micelect 1 Per 5/8 Rope, 16 MM	\$316.00

GALX-0174N



Description
Unit, Load Weighing Control, Micelect Part# LM3D-EMC-CSA-5V, (OLD# LW-ANLOG-5V)
List Price: \$945.00

GALX-0216N



Description
Load Weighing, K-Weigh 5200 0-5V With Can
List Price: \$2,250.00

CONTROLLER

Accessories & Parts

Monitor Configuration - GALileo

GALX-0284N



Kit, Galileo Lobby Monitor Configuration
List Price: \$5,100.00

GALX-0285N



Kit, Galileo Machine Room Configuration
List Price: \$5,100.00

GALX-0212N



Touch Screen, G110V2 With Isolated Ports
List Price: \$5,100.00

GALX-0243N



Box, GALileo Lobby Monitor Interface Assembly (Use For Lobby Monitor)
List Price: \$630.00

GALX-1045N



Board, RS232 To RS485 Converter (Use For Lobby Monitor)
List Price: \$135.00

PWS-0002N



Supply, In:120/240PR 30W-9.5A 50/60 (Use For Lobby Monitor)
List Price: \$152.00

GALX-0233N



Power Supply, Red Lion PSDRO200 (Use For Lobby Monitor or Machine Room)
List Price: \$1,000.00

GALX-0213N



Cable, Communication Red Lion To GAL CPU (Use For Lobby Monitor or Machine Room)
List Price: \$150.00

GALX-0239N



Cable, Assembly GALcom 12 Ft Ribbon Red Lion To GAL CPU (Use For Lobby Monitor or Machine Room)
List Price: \$206.00

GALX-0131N



Cable, Assembly 1045N-CPU, 1092AN-1022AN
List Price: \$60.00

Accessories & Parts

Monitor Interface



Part No.	Description	List Price
GALX-0137N	Kit, 17" Lobby Monitor Interface	\$2,775.00
GALX-0178N	Kit, 19" Lobby Monitor Interface	\$2,775.00

CONTROLLER

Accessories & Parts

Relays & Contactors

Auxiliary Contacts

RELY-0079N



Contact, Auxiliary 1NO-1NC
List Price: \$72.00

RELY-0141N



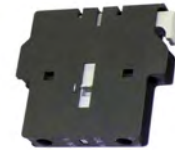
Contact, Auxiliary 1NO-1NC Side
Mounting
List Price: \$33.00

RELY-0161N



Contact, Auxiliary 1NO-1NC Side
Mounting L.H.
List Price: \$38.00

RELY-0195N



Contact, Auxiliary 1NO-1NC Side
Mounting R.H.
List Price: \$38.00

RELY-0051N



Contact, Auxiliary 1NO-1NC
List Price: \$33.00

RELY-0063N



Contact, Auxiliary Block 2NO-2NC
List Price: \$38.00

RELY-0142N



Contact, Auxiliary 2NO-2NC
List Price: \$64.00

RELY-0165N



Contact, Auxiliary 1NO-1NC Inter-
lock. Kit
List Price: \$73.00

RELY-0166N



Contact, Auxiliary 1NC
List Price: \$100.00

RELY-0184N



Contact, Auxiliary Block
List Price: \$133.00

RELY-0188N



Adaptor, DIN-Rail Panel Mount
0.16-24 AMP
List Price: \$48.00

Contactors

RELY-0050N



Contactor, 208-240 V.A.C Coil 3NO-
1NC Poles
List Price: \$60.00

RELY-0052N



Contactor, 120 V.A.C Coil 3NO-17
AMP 1NO Auxiliary
List Price: \$50.00

RELY-0053N



Contactor, 4N.O. Poles 200-240
V.A.C Coil
List Price: \$60.00

RELY-0057N



Contactor, PWR 200 AMP DC SP
120 V.A.C Coil
List Price: \$162.00

CONTROLLER

Accessories & Parts

Relays & Contactors

Contactors

RELY-0076N



Contactor, 120 V.A.C Coil 3 Pole
220 AMP 2NO-1NC
List Price: \$1,713.00

RELY-0140N



Contactor, 120 V.A.C Coil 3 Pole
130 AMP 1NO-1NC Auxiliary
List Price: \$1,244.00

RELY-0175N



Contactor, 120 V.A.C Coil 3 Pole 50
AMP 1NO-1NC
List Price: \$92.00

RELY-0176N



Contactor, Auxiliary Block 2NO-2NC
List Price: \$18.00

RELY-0177N



Contactor, 120 V.A.C Coil 3 Pole 25
AMP 1NO-1NC
List Price: \$51.00

RELY-0178N



Contactor, Auxiliary Snap-On Side
Mounting Interlock
List Price: \$37.00

RELY-0183N



Contactor, 120 V.A.C Coil 3 Pole
140 AMP 1NO Auxiliary
List Price: \$758.00

RELY-0239N



Contactor, 120 V.A.C Coil 3NO-1NC
Poles
List Price: \$87.00

RELY-0089N



Contactor, 120 V.A.C Coil 3NO 34
AMP 1NO Auxiliary
List Price: \$150.00

RELY-0090N



Contactor, 120 V.A.C Coil 3 Pole 42
AMP 1NO-1NC Auxiliary
List Price: \$225.00

RELY-0137N



Contactor, 600 V.A.C Coil 3 Pole 28
AMP 1NC Auxiliary
List Price: \$356.00

RELY-0145N



Contactor, 480 V.A.C Coil 3 Pole 28
AMP 1NC Auxiliary
List Price: \$105.00



Part No.	Description	List Price
RELY-0084N	Contactor, 208 V.A.C Coil 3 Pole 23 AMP 1NO Auxiliary	\$83.00
RELY-0080N	Contactor, 120 V.A.C Coil 3 Pole 23 AMP 1NO Auxiliary	\$150.00
RELY-0099N	Contactor, 120 V.A.C Coil 3 Pole 43 AMP 1NO Auxiliary	\$219.00
RELY-0073N	Contactor, 120 V.A.C Coil 3 Pole 60 AMP 1NO Auxiliary	\$240.00
RELY-0068N	Contactor, 120 V.A.C Coil 3 Pole 72 AMP 1NO Auxiliary	\$282.00

CONTROLLER

Accessories & Parts

Relays & Contactors

Contactors



Part No.	Description	List Price
RELY-0065N	Contactors, 120 V.A.C Coil 3 Pole 54 AMP 1NO-1NC Auxiliary	\$285.00
RELY-0091N	Contactors, 120 V.A.C Coil 3 Pole 65 AMP 1NO-1NC Auxiliary	\$318.00
RELY-0064N	Contactors, 120 V.A.C Coil 3 Pole 80 AMP 1NO-1NC Auxiliary	\$293.00
RELY-0087N	Contactors, 120 V.A.C Coil 3 Pole 95 AMP 1NO-1NC Auxiliary	\$375.00
RELY-0070N	Contactors, 120 V.A.C Coil 3 Pole 110 AMP 1NO-1NC Auxiliary	\$558.00

Dual Contactors With Interlock

RELY-0104N



Contactors, Revised 120 V.A.C CL 3 Pole 23 AMP 1NO-1NC Auxiliary
List Price: \$200.00

RELY-0108N



Contactors, Revised 120 V.A.C CL 3 Pole 85 AMP 1NO-1NC Auxiliary
List Price: \$758.00

RELY-0059N



Contactors, Revised 120 V.A.C CL 3 Pole 180 AMP 1NO-1NC Auxiliary
List Price: \$2,850.00

RELY-0110N



Contactors, Revised 120 V.A.C CL 3 Pole 140 AMP 1NO-1NC Auxiliary
List Price: \$2,380.00



Part No.	Description	List Price
RELY-0225N	Contactors, Revised 120 V.A.C 34 AMP (MRL)	\$240.00
RELY-0229N	Contactors, Revised 120 V.A.C 42 AMP (MRL)	\$282.00
RELY-0233N	Contactors, Revised 120 V.A.C 80 AMP (MRL)	\$546.00
RELY-0228N	Contactors, Revised 120 V.A.C 95 AMP (MRL)	\$240.00

Accessories & Parts

Relays (Overload)

Any overload that are not in GAL stock will be specially ordered and drop shipped directly to the customer.

RELY-0074N



Overload, Relay Thermal 3 PH 45 - 60 AMP
List Price: \$155.00

RELY-0112N



Overload, Relay Thermal 3 PH 18 - 30 AMP
List Price: \$92.00

RELY-0173N



Overload, 3 PH Adjustable 26 - 85 AMP
List Price: \$210.00

RELY-0179N



Overload, 3 PH Adjustable 66 - 110 AMP
List Price: \$210.00

CONTROLLER

Accessories & Parts

Relays & Contactors

Relays (Overload)

RELY-0181N



Overload, Relay Thermal 3 PH 10 - 16 AMP
List Price: \$92.00

RELY-0221N



Overload, Relay Thermal 3 PH 72 - 90 AMP
List Price: \$245.00

RELY-0016N



Relay, Magnetic A10C
List Price: \$1,057.00

RELY-0018N



Relay, Magnetic A18C
List Price: \$2,351.00

RELY-0019N



Relay, Magnetic A24C
List Price: \$1,258.00

RELY-0020N



Relay, Magnetic A27C
List Price: \$1,304.00

RELY-0021N



Relay, Thermal COV 4
List Price: \$586.00

RELY-0022N



Relay, Thermal DOV 4
List Price: \$339.00

RELY-0023N



Relay, Thermal EOV 4
List Price: \$516.00

RELY-0024N



Relay, Thermal BOV 16
List Price: \$188.00

RELY-0025N



Relay, Thermal COV 16
List Price: \$558.00

RELY-0027N



Relay, Thermal EOV 16
List Price: \$960.00

RELY-0215N



Relay, Thermal DOV 16 (Replaced RELY-0026N)
List Price: \$2,172.00

RELY-0266N



Heater, Allen-Bradley Thermal Overload, "W" Series Only. (Specify "W-__" No. Found On Bottom Of Heater)
List Price: \$50.00

CONTROLLER

Accessories & Parts

Relays & Contactors

Relays (Phase Monitoring)

RELY-0047N



Relay, Phase Monitor 190-270V
List Price: \$239.00

RELY-0048N



Relay, Phase Monitor 93-130V
List Price: \$239.00

RELY-0136N



Relay, 3 Phase Monitoring 380-600V
List Price: \$233.00

Relays (Plug In)

RELY-0011N



Relay, 12 V.D.C 3-Pole PC Term With Light-Button
List Price: \$39.00

RELY-0012N



Relay, 110 V.D.C With Light Button
List Price: \$39.00

RELY-0185N



Relay, 4 Pole 6 V.D.C Coil Miniature
List Price: \$38.00

Accessories & Parts



Part No.	Description	List Price
RELY-0013N	Relay, 24 V.D.C DPDT With Light PCB Icecube	\$39.00
RELY-0014N	Relay, 48 V.D.C DPDT With Light PCB Icecube	\$39.00
RELY-0180N	Relay, 110 V.D.C DPDT With Light PCB Icecube	\$39.00
RELY-0226N	Relay, 110 V.D.C Latch	\$80.00
RELY-0032N	Relay, 24 V.A.C 3DPDT With Light Button	\$39.00
RELY-0174N	Relay, 24 V.A.C DPDT With Light PCB Icecube	\$38.00
RELY-0144N	Relay, 120 V.A.C DPDT With Light Icecube	\$38.00



Part No.	Description	List Price
RELY-0113N	Relay, 4 Pole 24 V.A.C Coil Miniature	\$77.00
RELY-0115N	Relay, 4 Pole 120 V.A.C Coil Miniature	\$38.00
RELY-0244N	Relay, 4 Pole 220 V.A.C Coil Miniature	\$38.00
RELY-0162N	Relay, 4-PDT 24 V.D.C Coil With Diode Suppressor	\$38.00

CONTROLLER

Accessories & Parts

Relays & Contactors

Soft Starter



Part No.	Description	List Price
SFST-0008N	Soft Starter, S&S 32 AMP 600V 120V Fault Cont	\$1,240.00
SFST-0009N	Soft Starter, S&S 51 AMP 600V 120V Fault Cont	\$1,309.00
SFST-0010N	Soft Starter, S&S 64 AMP 600V 120V Fault Cont	\$1,480.00
SFST-0011N	Soft Starter, S&S 74 AMP 600V 120V Fault Cont	\$1,834.00
SFST-0012N	Soft Starter, S&S 104 AMP 600V 120V Fault Cont	\$1,712.00

Timers



Part No.	Description	List Price
RELY-0163N	Timer, On Delay Multi-Range Turning DIN Rail Mounting Relay	\$88.00
RELY-0164N	Timer, Off Delay Multi-Range Turning DIN Rail Mounting Relay	\$102.00

Selectors

Tapeless Selectors & Kits



Part No.	Description	List Price
GALX-0151N	Assembly, Tapeless Selector Box Wired	\$1,506.00



Part No.	Description	List Price
GALX-0153N	Kit, Selector Tapeless Without Encoder	\$1,152.00
GALX-0313N	Kit, Selector Tapeless With Can Open 15M CBL (Replaced GALX-0130N)	\$662.82
GALX-0306N	Kit, Selector Tapeless With Can Open 35M CBL (Replaced GALX-0167N)	\$720.24
GALX-0314N	Kit, Selector Tapeless With Can Open 50M CBL (Replaced GALX-0231N)	\$745.62
GALX-0315N	Kit, Selector Tapeless With Can Open 75M CBL (Replaced GALX-0232N)	\$835.62
GALX-0316N	Kit, Selector Tapeless With Can Open 100M CBL (Replaced GALX-0256N)	\$907.62

Steel Tape Selector Kits



Part No.	Description	List Price
GALX-0276AN	Kit, Selector 2 Channel Pulse Differential Sensors 2-15 FLS -WP	\$2,412.00
GALX-0276N	Kit, Selector 2 Channel Pulse Differential Sensors 2-15 FLS	\$2,308.00
GALX-0277AN	Kit, Selector 2 Channel Pulse Differential Sensors 16-60 FLS-WP	\$2,548.00
GALX-0277N	Kit, Selector 2 Channel Pulse Differential Sensors 16-60 FLS	\$2,368.00
GALX-0024N	Kit, Selector (1-15 Landings)	\$1,688.00
GALX-0048N	Kit, Selector (16-60 Landings)	\$1,748.00

CONTROLLER

Accessories & Parts

Selectors

Steel Tape Readers



Part No.	Description	List Price
GALX-0025AN	Assembly, GALaxy Steel Tape Reader 2-15 FLS-WP, With Conformal Coating	\$1,508.00
GALX-0025N	Assembly, GALaxy Steel Tape Reader 2-15 FLS	\$1,403.00
GALX-0026AN	Assembly, GALaxy Steel Tape Reader 16-32 FLS-WP, With Conformal Coating	\$1,643.00
GALX-0026N	Assembly, GALaxy Steel Tape Reader 16-32 FLS	\$1,463.00

Steel Tapes

GALX-0009N



Description
Tape, Steel 3W Oval Perforated
List Price: \$4.60 Per Foot

GALX-0052N



Description
Tape, Stainless Steel 3W Oval Perforated
List Price: \$7.20 Per Foot

Selector Parts

ENCO-0010N



Sensor, Magnetic With Integral Cable-Phone Jack
Used For: Tapeless Selector
List Price: \$238.00

GALX-0149N



Unistrut, 36" Tapeless Selector
Used For: Tapeless Selector
List Price: \$24.00

GALX-0154N



Alignment, Formed Alum W Magnet Tapeless
Used For: Tapeless Selector
List Price: \$38.00

GALX-0006N



Angle, Position Detection Mounting, 6 3/8" x 4 1/2" x 1/4" (Bend)
Used For: Tapeless Selector
List Price: \$30.00

GALX-0011N



Jig, Position Detection System
Used For: Tape Selector
List Price: \$8.40

GALX-0307N



Guide, Nylon Tape, Selector. (Early Version of Guide Was White)
Used For: Tape Selector
List Price: \$21.00

GALX-0004N



Plates Assembly, Tension Spring/Thread Rod/Brackets
Used For: Tape Selector
List Price: \$75.00

HDW-0243N



Magnet, 2" Strip Tape South Pole Adhesive
Used For: Tape Selector
List Price: \$1.60

CONTROLLER

Accessories & Parts

Selectors

Selector Parts

HDW-0315N



Magnet, 4" Strip Tape North Pole Adhesive
Used For: Tape Selector
List Price: \$3.00

HDW-0242N



Magnet, 8" Strip Tape South Pole Adhesive
Used For: Tape Selector
List Price: \$6.00

HDW-0494N



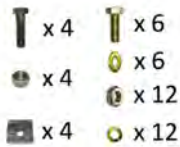
Magnet, 8" Strip Tape South Pole Adhesive With Steel Back
Used For: Tape Selector
List Price: \$8.00

GALX-0020N



Bracket, GALaxy Selector Rail Kit
Used For: Tape Selector
List Price: \$188.00

GALX-0010N



Hardware, Selector Mounting
Used For: Tape Selector
List Price: \$23.00

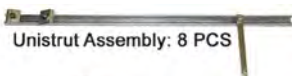
SEL-0092N



Bracket, GAL Limit Switches Mounting Kit
Used For: "LS" & "LTS"
List Price: \$204.00

Magnetic Limit Switches

SW22-0020N



Unistrut Assembly: 8 PCS

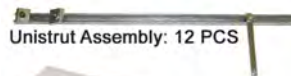
Description

Kit, 2 Magnetic Limit Switch
List Price: \$1,290.00



2 MAGNETIC LIMIT SWITCH

SW22-0030N



Unistrut Assembly: 12 PCS

Description

Kit, 3 Magnetic Limit Switch
List Price: \$2,107.00



3 MAGNETIC LIMIT SWITCH

CONTROLLER

Accessories & Parts

Terminal Block Assemblies & Parts

CONN-0073N



Terminal, End Stop
List Price: \$3.00

CONN-0082N



Terminal, Feed-Thru 30A 26-10 Wag M4/6
List Price: \$4.60

CONN-0085N



Terminal, End Cover Section FEM6 Grey
List Price: \$2.00

CONN-0112N



Terminal, Feed-Thru M4/6P 5113 Green
List Price: \$23.00

GALX-0066N



Terminal Assembly, DBR & Brake Resistor
List Price: \$75.00

HWEL-0058N



Track, Din Rail 35MM x 2 Meter (78-3/4")
List Price: \$12.50

Cooling Fan

HWEL-0148N



Fan Assembly, GALaxy Controller Cooling, With Guard And Wires, 115 V.A.C.
List Price: \$105.00

HWEL-0109N



Fan Assembly, GALaxy Controller Cooling, Without Guard, 115 V.A.C.
List Price: \$90.00

HWEL-0108N



Fan Guard, Wire Form Cooling
List Price: \$17.00

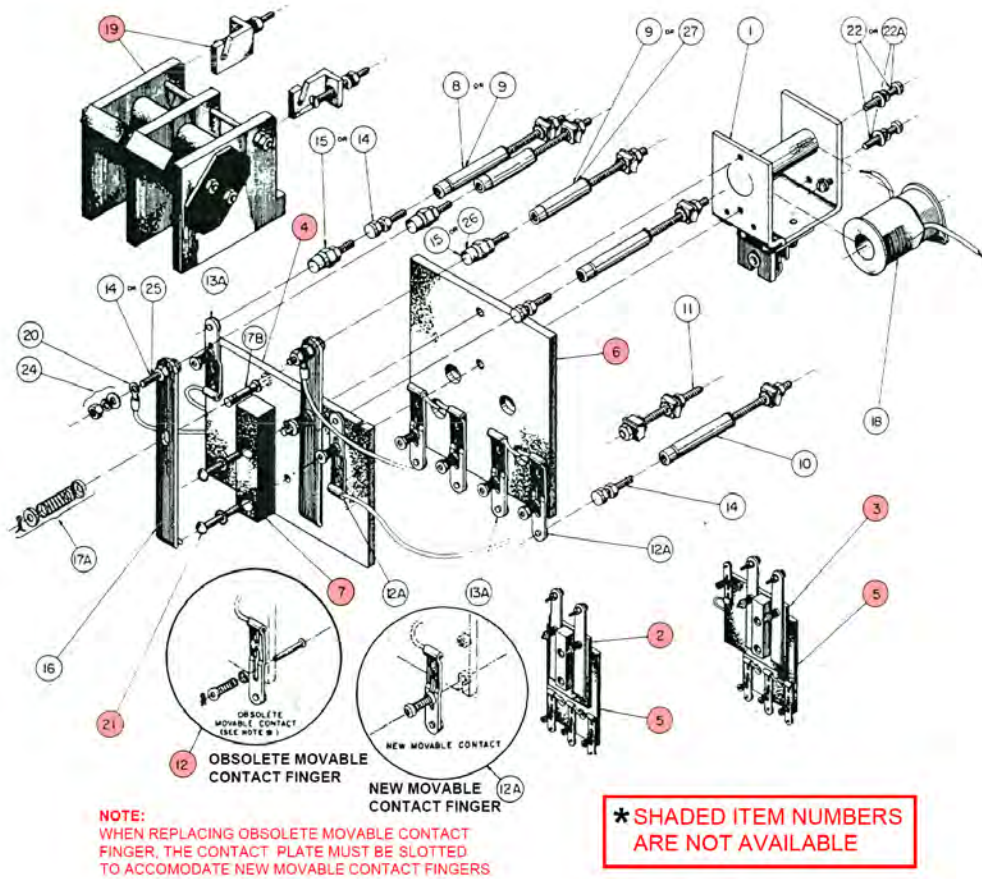
Accessories & Parts

Relay Logic Controllers - Old Style

Replacement Parts

Relay Logic Controller Relays

"LC-28" Relay Assembly



As inventory runs out, certain supported parts may not be available in the future.

Part No.	Item No	Description
LC-0032N	1	Frame/Armature, Contactor For Small Contactor (Use For LC28, LC49, LC53, LC54)
LC-0056N*	2	Plate, 2P 3/8-1/2 Main 2 N.O. Aux Contact, With 1 N.O. Auxiliary
LC-0057N*	3	Plate, 2P 3/8" Or 1/2" Main Contact, With 2 N.O. Auxiliary
LC-0058N*	4	Plate, 2P 3/8" Or 1/2" Main Contact, With 2 N.O. Auxiliary
LC-0074N*	5	Plate, 4 N.C. Auxiliary Contact, For " LC28" Contactor
LC-0076N*	6	Separator, 2 Pole 3/8" Or 1/2" Main, 3/8" & 1/2" Main Contacts
LC-0101N*	7	Post, 1 7/8" Lg Contact
LC-0085N	8	Post, 1 7/8" Lg Contact
LC-0084N	9	Post, 1 7/16" Lg Contact
LC-0082N	10	Post, 1 5/8" Lg Contact
LC-0107N	11	Stud Assembly, 10-32 X 2 1/8" Lg Terminal
LC-0021L/R	12A & 13A	Contact, Movable Finger, Short Lead 3/4" Rivet
CONT-0003N	14	Contact, 3/8" Dia. Silver Plated 3/4" Lg

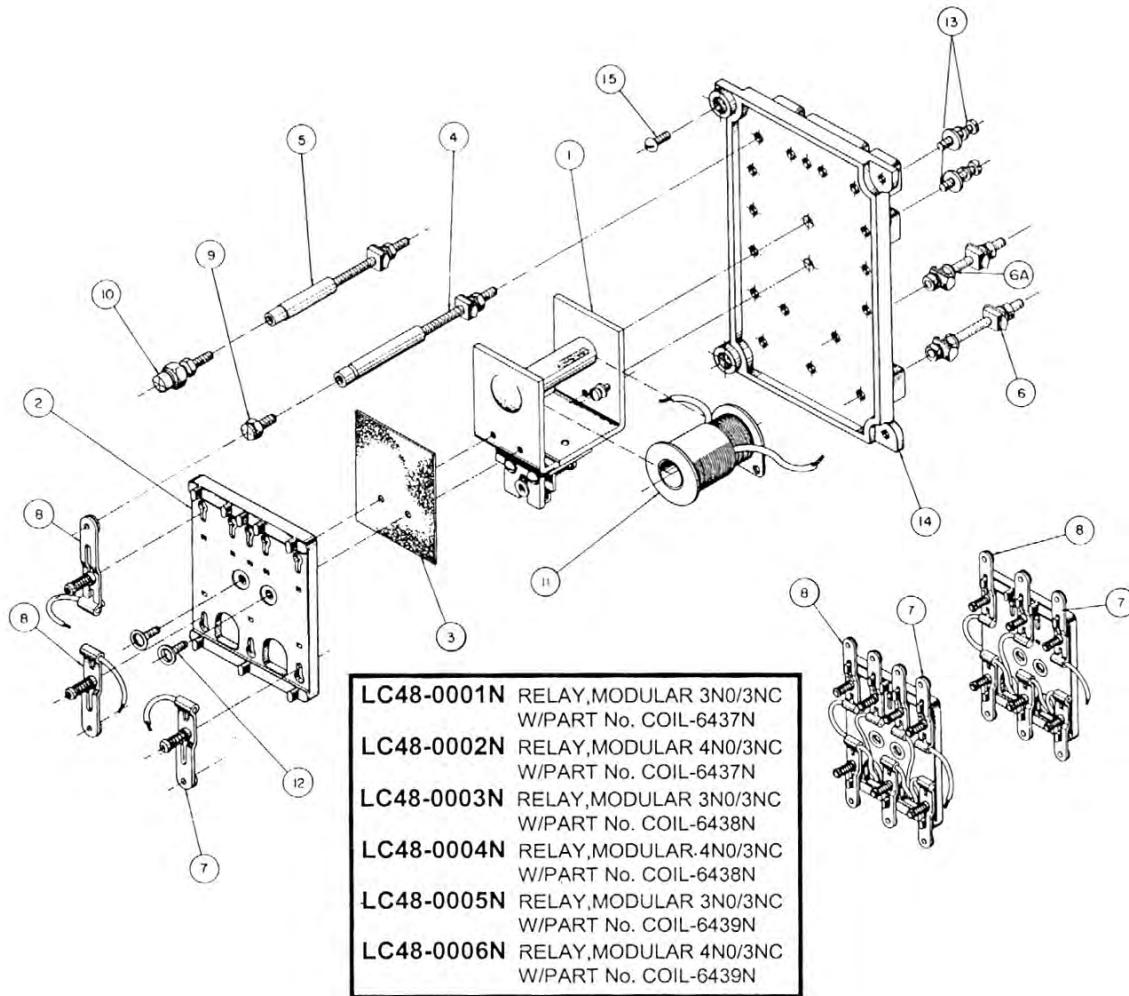
Part No.	Item No	Description
CONT-0001N	15	Contact, 3/8" Dia. Carbon, With Stud
LC-0003N	16	Holder Arm, 3/8" & 1/2" Contact
LC-0104N	17A & B	Spring Assembly, 3/8" Or 1/2" Main Contact
COIL-6438N	18	Coil, 23000T #39W 4900 OHM 230 VDC
LC-0009N*	19	Wire, Main Contact #14, 3/8" 1/2" Contact
LC-0011N	20	Wire, Main Contact #14, 3/8", 1/2" Contact
LC-0111N*	21	Screw, Round Head #10-32 X 7/8", #10 Flat Washer
LC-0112N	22	Screw, Fillister Head #10-32 X 1", Flat & Lock Washer For 3/4" Panel
LC-0113N	22A	Screw, Fillister Head #10-32 X 1 1/4", Flat & Lock Washer For 1" Panel
LC-0114N	24	Nut, 10-32 X 3/8"W-#10 Flat & Lock Washer, Hex Head Plated With #10 Flat & Split Lock Washer Plated
CONT-0005N	25	Contact, 1/2" Dia. Copper
COIL-0004N	26	Coil, 9000T #36W 1280 OHM 220 VAC
LC-0081N	27	Post, 1 3/16" Lg Contact

Relay Logic Controllers - Old Style

Replacement Parts

Relay Logic Controller Relays

"LC-48" Relay Assembly



- LC48-0001N** RELAY,MODULAR 3N0/3NC
W/PART No. COIL-6437N
- LC48-0002N** RELAY,MODULAR 4N0/3NC
W/PART No. COIL-6437N
- LC48-0003N** RELAY,MODULAR 3N0/3NC
W/PART No. COIL-6438N
- LC48-0004N** RELAY,MODULAR.4N0/3NC
W/PART No. COIL-6438N
- LC48-0005N** RELAY,MODULAR 3N0/3NC
W/PART No. COIL-6439N
- LC48-0006N** RELAY,MODULAR 4N0/3NC
W/PART No. COIL-6439N

Relay Logic
Controller Relays

As inventory runs out, certain supported parts may not be available in the future.

Part No.	Item No	Description
LC-0034N	1	Frame/Armature, Floor Relay 1 Or 2 N.C. Contacts
LC-0037N	1	Frame/Armature, Floor Relay 3 N.C. Contacts
LC-0078N	2	Plate, 4 N.O. Max & 3 N.C. Max Contact, 3 N.C. Maximum. Use For Relay LC28, LC48, LC48P
LC-0044N	3	Insulator, 2 Holes
LC-0094N	4	Post, 2.055" Lg Contact
LC-0083N	5	Post, 1 7/16" Lg Contact
LC-0108N	6	Stud Assembly, 10-32 X 1 3/4" Lg Terminal
LC-0125N	6A	Stud Assembly, 10-32 X 1 1/2" Lg Terminal
LC-0029L/R	7 & 8	Contact, Movable Finger, Short Lead 5/8" Rivet

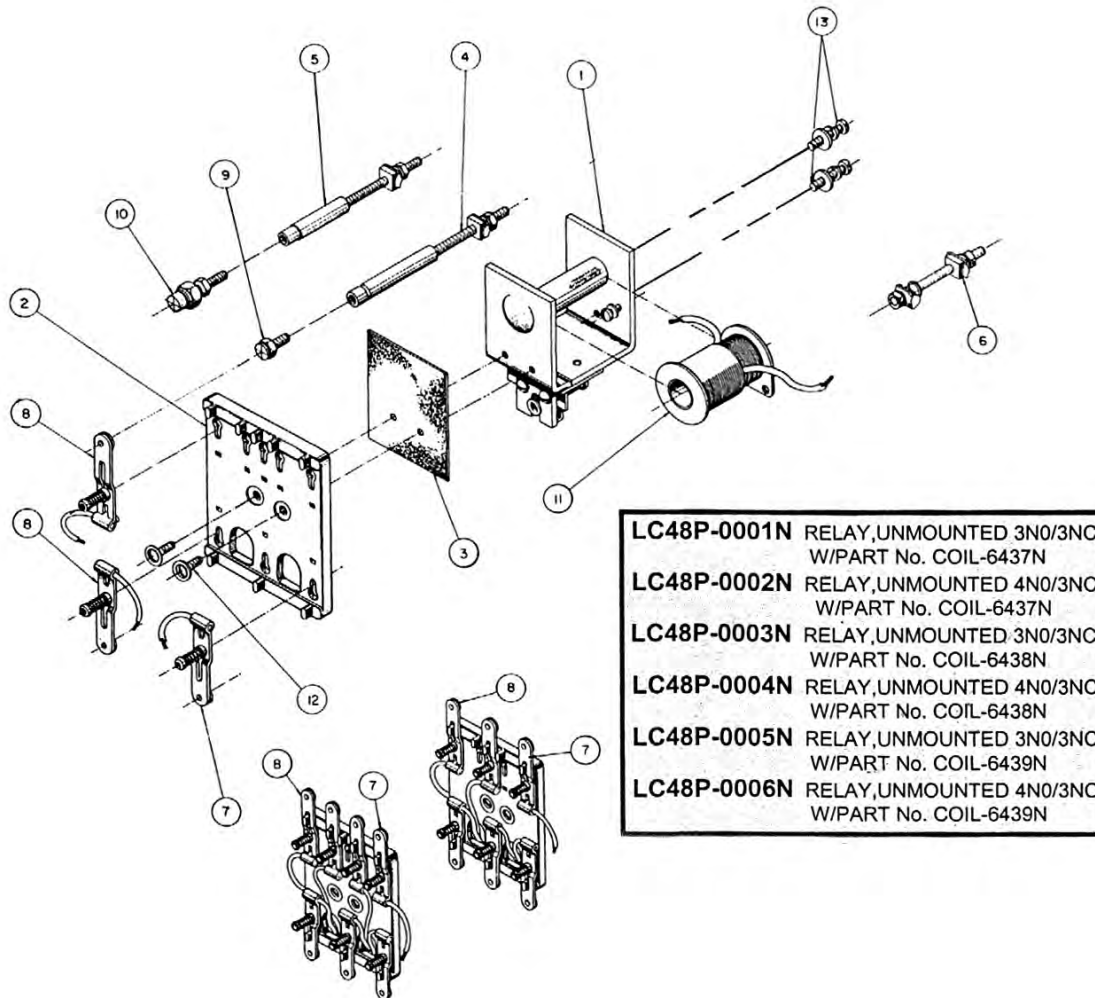
Part No.	Item No	Description
CONT-0002N	9	Contact, 3/8" Dia. Silver Plated 3/8" Lg
CONT-0001N	10	Contact, 3/8" Dia. Carbon, With Stud
COIL-6437N	11	Coil, 27500T #40W 7600 OHM 265 VDC
COIL-6438N	11	Coil, 23000T #39W 4900 OHM 230 VDC
COIL-6439N	11	Coil, 9000T #35W 750 OHM 85 VDC
HWSC-0016N	12	Screw, 8-32 X 1/4 Binding Head Slot Brass
LC-0124N	13	Screw, Fillister Head #8-32 X 3/8", With Flat & Split Washer Plated
LC-0004N	14	Base, Use For Relay LC48 And LC54
HWSC-0018N	15	Screw, 8-32 X 5/8", Slotted Round Head Plated

Relay Logic Controllers - Old Style

Replacement Parts

Relay Logic Controller Relays

"LC-48P" Relay Assembly



LC48P-0001N	RELAY,UNMOUNTED 3N0/3NC W/PART No. COIL-6437N
LC48P-0002N	RELAY,UNMOUNTED 4N0/3NC W/PART No. COIL-6437N
LC48P-0003N	RELAY,UNMOUNTED 3N0/3NC W/PART No. COIL-6438N
LC48P-0004N	RELAY,UNMOUNTED 4N0/3NC W/PART No. COIL-6438N
LC48P-0005N	RELAY,UNMOUNTED 3N0/3NC W/PART No. COIL-6439N
LC48P-0006N	RELAY,UNMOUNTED 4N0/3NC W/PART No. COIL-6439N

Relay Logic
Controller Relays

As inventory runs out, certain supported parts may not be available in the future.

Part No.	Item No	Description
LC-0034N	1	Frame/Armature, Floor Relay 1 Or 2 N.C. Contacts
LC-0037N	1	Frame/Armature, Floor Relay 3 N.C. Contacts
LC-0078N	2	Plate, 4 N.O. Max & 3 N.C. Max Contact, 3 N.C. Maximum. Use For Relay LC28, LC48, LC48P
LC-0044N	3	Insulator, 2 Holes
LC-0086N	4	Post, 1.987" Lg Contact
LC-0084N	5	Post, 1 7/16" Lg Contact
LC-0107N	6	Stud Assembly, 10-32 X 2 1/8" Lg Terminal Contact, Movable Finger, Short Lead 5/8"
LC-0029L/R	7 & 8	Rivet

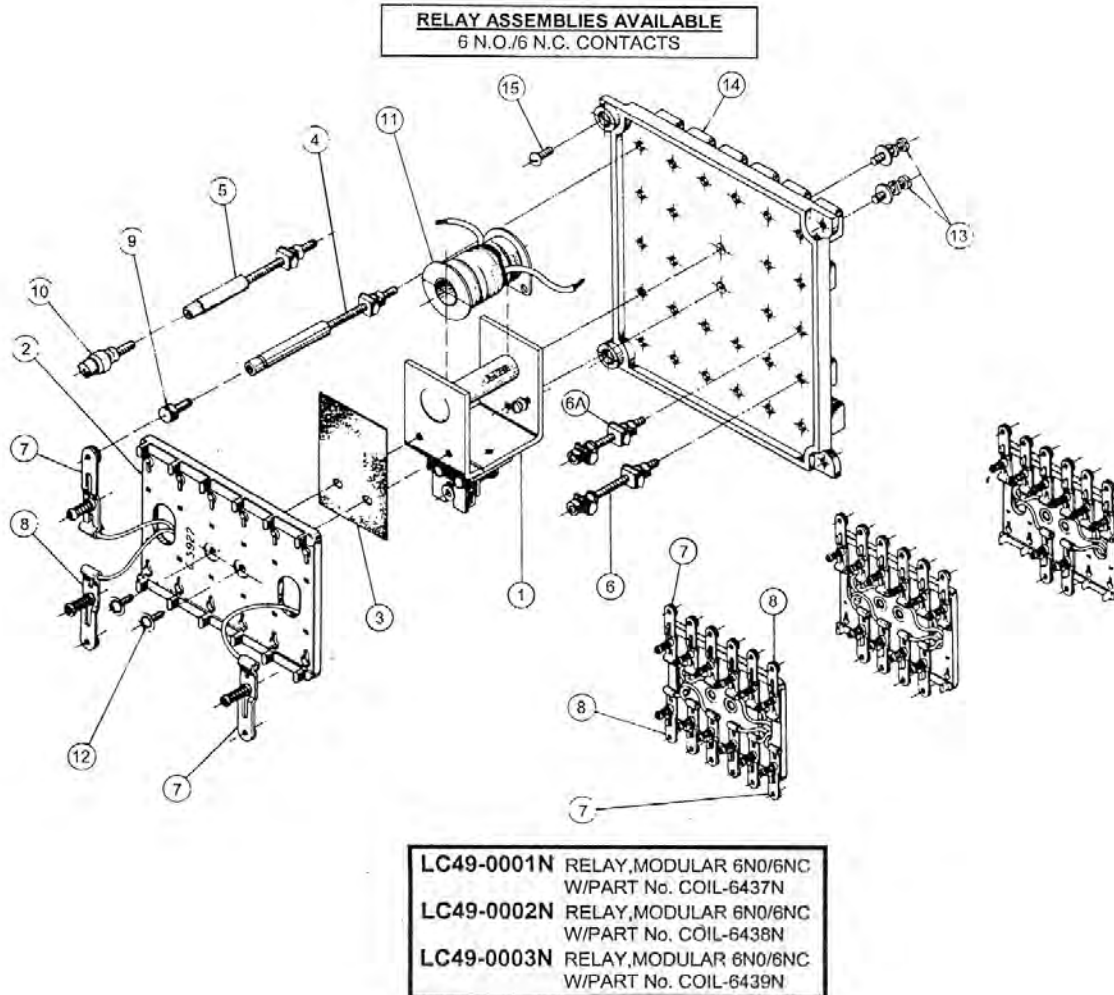
Part No.	Item No	Description
CONT-0002N	9	Contact, 3/8" Dia. Silver Plated 3/8" Lg
CONT-0001N	10	Contact, 3/8" Dia. Carbon, With Stud
COIL-6437N	11	Coil, 27500T #40W 7600 OHM 265 VDC
COIL-6438N	11	Coil, 23000T #39W 4900 OHM 230 VDC
COIL-6439N	11	Coil, 9000T #35W 750 OHM 85 VDC
HWSC-0016N	12	Screw, 8-32 X 1/4 Binding Head Slot Brass
LC-0112N	13	Screw, Fillister Head #10-32 X 1", Flat & Lock Washer For 3/4" Panel
LC-0113N	13	Screw, Fillister Head #10-32 X 1 1/4", Flat & Lock Washer For 1" Panel

Relay Logic Controllers - Old Style

Replacement Parts

Relay Logic Controller Relays

"LC-49" Relay Assembly



Relay Logic
Controller Relays

As inventory runs out, certain supported parts may not be available in the future.

Part No.	Item No	Description
LC-0035N	1	Frame/Armature, Intermediate Relay 2 N.C. Contacts
LC-0038N	1	Frame/Armature, Intermediate Relay 4 N.C. Contacts
LC-0039N	1	Frame/Armature, Intermediate Relay 6 N.C. Contacts
LC-0079N	2	Plate, 6 N.O. Max & 6 N.C. Max Contact. Use For Relay LC49, LC49P
LC-0044N	3	Insulator, 2 Holes
LC-0094N	4	Post, 2.055" Lg Contact
LC-0083N	5	Post, 1 7/16" Lg Contact
LC-0108N	6	Stud Assembly, 10-32 X 1 3/4" Lg Terminal
LC-0125N	6A	Stud Assembly, 10-32 X 1 1/2" Lg Terminal
LC-0029L/R	7 & 8	Contact, Movable Finger, Short Lead 5/8" Rivet

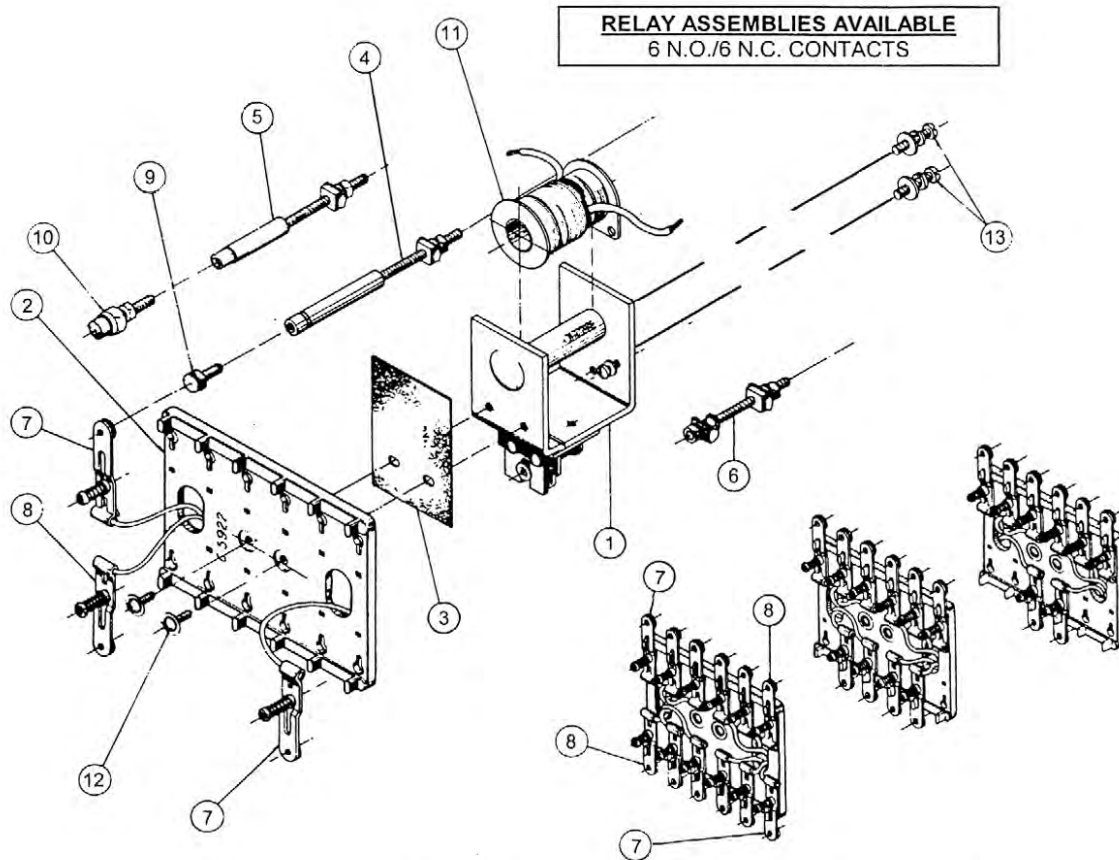
Part No.	Item No	Description
CONT-0002N	9	Contact, 3/8" Dia. Silver Plated 3/8" Lg
CONT-0001N	10	Contact, 3/8" Dia. Carbon, With Stud
COIL-6437N	11	Coil, 27500T #40W 7600 OHM 265 VDC
COIL-6438N	11	Coil, 23000T #39W 4900 OHM 230 VDC
COIL-6439N	11	Coil, 9000T #35W 750 OHM 85 VDC
HWSC-0016N	12	Screw, 8-32 X 1/4 Binding Head Slot Brass
LC-0124N	13	Screw, Fillister Head #8-32 X 3/8", With Flat & Split Washer Plated
LC-0005N	14	Base, Use For Relay LC49
HWSC-0018N	15	Screw, 8-32 X 5/8", Slotted Round Head Plated

Relay Logic Controllers - Old Style

Replacement Parts

Relay Logic Controller Relays

"LC-49P" Relay Assembly



- LC49P-0001N** RELAY, UNMOUNTED 6N0/6NC
W/PART No. COIL-6437N
- LC49P-0002N** RELAY, UNMOUNTED 6N0/6NC
W/PART No. COIL-6438N
- LC49P-0003N** RELAY, UNMOUNTED 6N0/6NC
W/PART No. COIL-6439N

As inventory runs out, certain supported parts may not be available in the future.

Part No.	Item No	Description
LC-0035N	1	Frame/Armature, Intermediate Relay 2 N.C. Contacts
LC-0038N	1	Frame/Armature, Intermediate Relay 4 N.C. Contacts
LC-0039N	1	Frame/Armature, Intermediate Relay 6 N.C. Contacts
LC-0079N	2	Plate, 6 N.O. Max & 6 N.C. Max Contact. Use For Relay LC49, LC49P
LC-0044N	3	Insulator, 2 Holes
LC-0086N	4	Post, 1.987" Lg Contact
LC-0084N	5	Post, 1 7/16" Lg Contact
LC-0107N	6	Stud Assembly, 10-32 X 2 1/8" Lg Terminal

Part No.	Item No	Description
LC-0029L/R	7 & 8	Contact, Movable Finger, Short Lead 5/8" Rivet
CONT-0002N	9	Contact, 3/8" Dia. Silver Plated 3/8" Lg
CONT-0001N	10	Contact, 3/8" Dia. Carbon, With Stud
COIL-6437N	11	Coil, 27500T #40W 7600 OHM 265 VDC
COIL-6438N	11	Coil, 23000T #39W 4900 OHM 230 VDC
COIL-6439N	11	Coil, 9000T #35W 750 OHM 85 VDC
HWSC-0016N	12	Screw, 8-32 X 1/4 Binding Head Slot Brass
LC-0112N	13	Screw, Fillister Head #10-32 X 1", Flat & Lock Washer For 3/4" Panel
LC-0113N	13	Screw, Fillister Head #10-32 X 1 1/4", Flat & Lock Washer For 1" Panel

Relay Logic Controller Relays

Relay Logic Controllers - Old Style

Relay Logic Controller Parts

Coils



Part No.	Description	List Price
COIL-0004N	Coil, 9000T #36W 1280 OHM 220 VAC	\$19.40
COIL-5630N	Coil, 22000T #35W 3600 OHM 265 VDC	\$56.00
COIL-5631N	Coil, 17945T #38W 4500 OHM 230 VDC	\$33.00
COIL-5632N	Coil, 19125T #40W 8000 OHM 265 VDC	\$33.00
COIL-5633N	Coil, 17945T #38W 4500 OHM 230 VDC	\$26.20
COIL-5634N	Coil, 10005T #35W 1320 OHM 110 VDC	\$26.20
COIL-5693N	Coil, 4500T #34W 390 OHM 208-220 VAC	\$62.00
COIL-5744N	Coil, 13200T #39W 4000 OHM 220 VAC	\$19.40
COIL-5749N	Coil, 3000T #30W 220 VAC	\$19.40
COIL-5750N	Coil, 3300T #31W 220 VAC	\$26.20
COIL-5760N	Coil, 17675T #34W 2330 OHM 230 VDC	\$56.00
COIL-5761N	Coil, 450T #18W 1.4 OHM	\$56.00
COIL-5785N	Coil, 18000T #36W 3100 OHM 230 VDC	\$65.00
COIL-5786N	Coil, 17000T #32W 1500 OHM 230 VDC	\$65.00
COIL-5959N	Coil, 11400T #33W 800 OHM	\$19.40
COIL-6179N	Coil, 13600T #33W 1500 OHM 185 VDC	\$56.00
COIL-6180N	Coil, 925T #21W 6 OHM	\$56.00

Part No.	Description	List Price
COIL-6202N	Coil, 11000T #32W 900 OHM 130 VDC	\$56.00
COIL-6212N	Coil, 10250T #33W 920 OHM 130 VDC	\$23.20
COIL-6310N	Coil, 16800T #39W 4850 OHM 230 VDC	\$39.00
COIL-6311N	Coil, 7150T #32W 90 VDC	\$47.00
COIL-6312N	Coil, 9600T #37W 1650 OHM 130 VDC	\$23.20
COIL-6333N	Coil, 7000T #30W 390 OHM 85 VDC	\$47.00
COIL-6369N	Coil, 4150T #32W 2350 OHM 48 VDC	\$19.40
COIL-6373N	Coil, 6800T #31W 308 OHM 45 VDC	\$19.40
COIL-6393N	Coil, 5664T #30W 200 OHM 36 VDC	\$27.00
COIL-6437N	Coil, 27500T #40W 7600 OHM 265 VDC	\$23.20
COIL-6438N	Coil, 23000T #39W 4900 OHM 230 VDC	\$23.20
COIL-6439N	Coil, 9000T #35W 750 OHM 85 VDC	\$23.20
COIL-6779N	Coil, 24100T #35W 3660 OHM 265 VDC	\$70.00
COIL-6780N	Coil, 925T #21W 5.2 OHM	\$56.00
COIL-6781N	Coil, 450T #18W 1.1 OHM	\$56.00
COIL-6782N	Coil, 12500T #31W 785 OHM 130 VDC	\$47.00
COIL-9432N	Coil, 13000T #36 W 220 VDC	\$39.00

Reverse Phase Relay



Part No.	Description	List Price
LC27-0001N	Relay, "RPR-1" Reverse Phase	\$648.00
LC27-0002N	Resistor Kit, 440-550V For "RPR-1" Reverse Phase Relay (2) 10K OHM 25W	\$23.10

Ward Lenard Replacement Relay



Part No.	Description	List Price
LC56-0001N	Relay Kit, Ward Lenard Replacement (Replaces The "CC" Or "HC" Ward Lenard Relay)	\$308.00

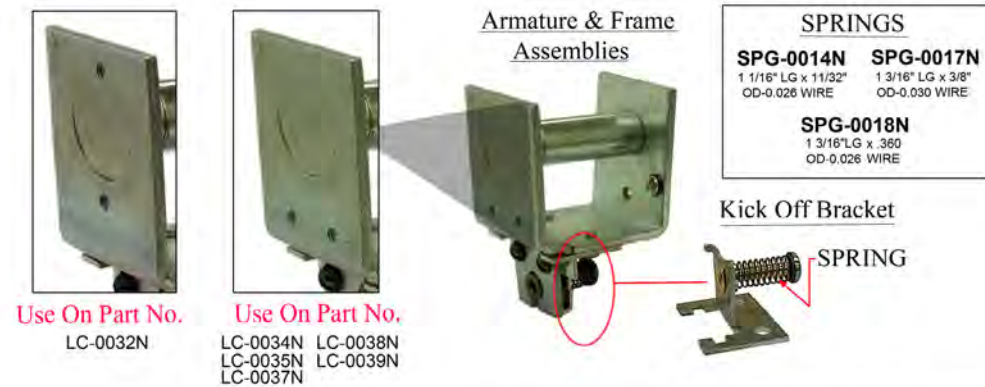
Contact Plates & Base

LC-0004N	LC-0005N	LC-0078N	LC-0079N
 <p>Plate No. C-6806</p> <p>FOR RELAY LC48 & LC54</p>	 <p>Plate No. C-6807</p> <p>FOR RELAY LC49</p>	 <p>Plate No. C-5871-1</p> <p>FOR RELAY LC28, LC48, LC48P</p>	 <p>Plate No. C-5922-1E</p> <p>FOR RELAY LC49, LC49P</p>
Use For Relay LC48 And LC54 List Price: \$39.00	Use For Relay LC49 List Price: \$51.00	Use For Relay LC28, LC48, LC48P List Price: \$23.20	Use For Relay LC49, LC49P List Price: \$31.00

Relay Logic Controller Relays

Relay Logic Controllers - Old Style

Replacement Parts



Armature & Frame Part No.	No. Of N.C. Contacts	Use For Relay	Kick Off Brackets Part No.	Spring Reference Part No.
LC-0034N	1	LC48, LC48P, LC49, LC49P	LC-0136N	SPG-0014N
LC-0037N	2		LC-0135N	SPG-0018N
LC-0035N	3	LC48, LC48P, LC49, LC49P	LC-0137N	SPG-0017N
LC-0038N	4			
LC-0039N	5	LC49, LC49P		
LC-0032N	6	LC28, LC53, LC49, LC49P, LC54		

Armature & Frame Assemblies

Part No.	Description	List Price
LC-0032N	Frame/Armature, For Small Contactor (Use For LC28, LC49, LC53, LC54)	\$96.00
LC-0034N	Frame/Armature, Floor Relay 1 Or 2 N.C. Contacts	\$96.00
LC-0035N	Frame/Armature, Intermediate Relay 2 N.C. Contacts	\$96.00
LC-0037N	Frame/Armature, Floor Relay 3 N.C. Contacts	\$96.00
LC-0038N	Frame/Armature, Intermediate Relay 4 N.C. Contacts	\$96.00
LC-0039N	Frame/Armature, Intermediate Relay 6 N.C. Contacts	\$96.00

Kick Off Bracket & Spring Assemblies

Part No.	Description	List Price
LC-0135N	Kick Off Bracket And Spring Assembly For Floor Relay With 3N.C. Contacts	\$31.00
LC-0136N	Kick Off Bracket And Spring Assembly For Floor Relay With 1 Or 2 N.C. Contact S	\$31.00
LC-0137N	Kick Off Bracket And Spring Assembly And V.V. Field Contactor (LC28) For Intermediate Relay With 2 4 Or 6N.C. Contacts	\$31.00

Relay Contacts

Finger Contacts

LC-0021L/R



Contact, Movable Finger, Short Lead 3/4" Rivet
List Price: \$15.40

LC-0024L/R



Contact, Movable Finger, Long Lead 5/8" Rivet
List Price: \$15.40

LC-0029L/R



Contact, Movable Finger, Short Lead 5/8" Rivet
List Price: \$15.40

Relay Logic Controllers - Old Style

Replacement Parts

Relay Contacts



Silver Plated Contacts

Part No.	Description	List Price
CONT-0002N	Contact, 3/8" Dia. Silver Plated 3/8" Lg	\$6.20
CONT-0003N	Contact, 3/8" Dia. Silver Plated 3/4" Lg	\$6.20

Copper Contacts

Part No.	Description	List Price
CONT-0005N	Contact, 1/2" Dia. Copper, With Stud	\$15.40
LC-0018N	Contact, 1" Dia. Main Copper, With Stud	\$44.00
LC-0015N	Contact, 1 1/2" Dia. Main Copper, With Stud	\$46.00
LC-0016N	Contact, 1 3/4" Dia. Main Copper, With Stud	\$48.00

Carbon Contacts

Part No.	Description	List Price
CONT-0001N	Contact, 3/8" Dia. Carbon, With Stud	\$9.40
CONT-0004N	Contact, 1/2" Dia. Carbon, With Stud	\$21.60
CONT-0006N	Contact, 1" Dia. Carbon 3/4" Thick	\$4.80
CONT-0008N	Contact, 1 1/2" Dia. Carbon 7/8" Thick	\$10.80
CONT-0009N	Contact, 1 3/4" Dia. Carbon 1" Thick	\$15.40

Contact Holders

Part No.	Description	List Price
LC-0042N	Holder, 1" Dia. Carbon Contact	\$47.00
LC-0040N	Holder, 1 1/2" Dia. Carbon Contact	\$47.00
LC-0041N	Holder, 1 3/4" Dia. Carbon Contact	\$47.00

Contact Holder Parts

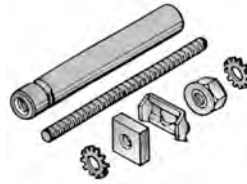
Part No.	Description	List Price
LC-0001N	Holder Arm, 1" Contact	\$12.40
LC-0003N	Holder Arm, 3/8" & 1/2" Contact	\$13.20
LC-0002N	Holder Arm, 7/8", 1 1/2", Or 1 3/4" Contact	\$15.40
LC-0103N	Spring Assembly, 1" Main Contact	\$9.40
LC-0104N	Spring Assembly, 3/8" Or 1/2" Main Contact	\$9.40
LC-0105N	Spring Assembly, 7/8", 1 1/2" Or 1 3/4" Main Contact	\$9.40

Relay Logic Controllers - Old Style

Replacement Parts

Relay Contacts

Contact Post Assemblies



Part No.	Length	List Price
LC-0081N	1 3/16"	\$14.00
LC-0082N	1 5/8"	\$14.00
LC-0083N	1 7/16"	\$14.00
LC-0084N	1 7/16"	\$14.00

Part No.	Length	List Price
LC-0085N	1 7/8"	\$14.00
LC-0086N	1.987"	\$14.00
LC-0087N	2 3/4"	\$14.00
LC-0088N	2 7/16"	\$14.00

Part No.	Length	List Price
LC-0089N	3 1/2"	\$14.00
LC-0090N	3 1/4"	\$14.00
LC-0091N	3 3/4"	\$14.00

Part No.	Length	List Price
LC-0092N	3"	\$14.00
LC-0093N	4 1/4"	\$14.00
LC-0094N	2.055"	\$14.00

Contact Wires



Part No.	Contact Size	Description	List Price
LC-0010N	1"	Wire, Main Contact #10, 1" Contact (15" Lg.)	\$18.60
LC-0011N	3/8", 1/2"	Wire, Main Contact #14, 3/8", 1/2" Contact (Discontinued)	\$0.00
LC-0012N	7/8", 1 3/4"	Wire, Main Contact #4, 7/8", 1 3/4" 50% Carbon Contact (15" Lg.)	\$37.00
LC-0014N	1", 1 1/2"	Wire, Main Contact #8, 1 1/2", 1" 50% Carbon Contact (15" Lg.)	\$20.20

Controller Timer



ADAPTOR KIT:



DISCONTINUED



TMR-0007N

REPLACED BY



TMR-0009N

Current Part No.	(Tube Type) Old Part No. 10041-x	(Solid State) Old Part No. 10121-x	(Solid State) Old Part No. 10196-x	Description	D.C. Voltage Range
TMR-0001N	1, 2 & 8	1 & 8	1	Single Pot	170-300
	3, 4 & 9	3 & 9	1	Double Pot	
TMR-0002N	13	13, 15, & 16	2	Single Pot	100-200
	-	13A, 15A, & 16A	2	Double Pot	
Timer Range: 0.01-640 Seconds				List Price: \$154.00	

Part No.	Description	List Price
TMR-0007N	Timer, Oasumad 10-260 A.C./D.C. 0.1 Seconds-10 Hours (Replaced by TMR-0009N)	Discontinued
TMR-0009N	Timer, 24-240 A.C./D.C.-0.7 Amp, 0.1 Seconds - 100 Hours (Replaces TMR-0007N)	\$88.00

Relay Logic Controllers - Old Style


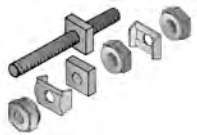
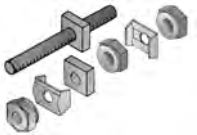
Relay Logic Controller Parts

Loher Tach Generator - Armature & Brushes

<p>ENCO-0055N</p>  <p>Encoder Kit, Replacement For 1" & 1.5" Dia. Shaft Loher Tach Armature On Existing Dynalift Jobs Note: This Encoder Can Replace Either DYLF-0132N or MTR-0019N List Price: \$2,300.00</p>	<p>DYLF-0132N</p>  <p>Armature, Loher Tach Generator For 1.5" Dia Shaft, Includes Armature Housing & 4 Brushes (Item Not-Returnable) List Price: \$6,660.00</p>	<p>MTR-0019N</p>  <p>Armature, Loher Tach Generator For 1" Dia Shaft, With 4 Brushes (Item Not-Returnable) List Price: \$5,940.00</p>	<p>MTR-0016N</p>  <p>Brush, Loher Tach Generator, 1/8" x 3/16" x 1/2" For 1" Dia Shaft (Set of 4 Pieces) List Price: \$70.00</p>
--	--	---	---

Hardware

Stud Assemblies

<p>LC-0107N</p>  <p>Stud Assembly, 10-32 X 2 1/8" Lg Terminal List Price: \$7.80</p>	<p>LC-0108N</p>  <p>Stud Assembly, 10-32 X 1 3/4" Lg Terminal List Price: \$7.80</p>	<p>LC-0125N</p>  <p>Stud Assembly, 10-32 X 1 1/2" Lg Terminal List Price: \$7.80</p>
--	--	--

Screws, Nuts, & Insulator

<p>HWSC-0016N</p>  <p>Screw, 8-32 X 1/4 Binding Head Slot Brass List Price: \$0.50</p>	<p>HWSC-0018N</p>  <p>Screw, 8-32 X 5/8", Slotted Round Head Plated List Price: \$0.60</p>	<p>LC-0124N</p>  <p>8-32 X 3/8" LG FILLISTER HEAD Screw, Fillister Head #8-32 X 3/8", With Flat & Split Washer Plated List Price: \$0.80</p>	<p>LC-0112N</p>  <p>10-32 X 1" LG FILLISTER HEAD Screw, Fillister Head #10-32 X 1", Flat & Lock Washer For 3/4" Panel List Price: \$0.80</p>
<p>LC-0113N</p>  <p>10-32 X 1 1/4" LG FILLISTER HEAD Screw, Fillister Head #10-32 X 1 1/4", Flat & Lock Washer For 1" Panel List Price: \$0.80</p>	<p>LC-0114N</p>  <p>10-32 X 3/8" W HEX NUT Nut, 10-32 X 3/8" With #10 Flat & Split Lock Washer Plated List Price: \$0.80</p>	<p>LC-0044N</p>  <p>Insulator, Contact Plate, For Relays LC-48 & LC-49 List Price: \$3.20</p>	

Relay Logic Controller Relays



GAL Canada

Door Equipment

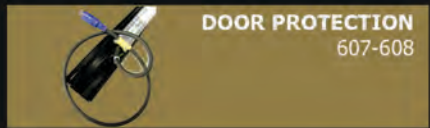
GAL CANADA EQUIPMENT



DOOR OPERATORS
559-602



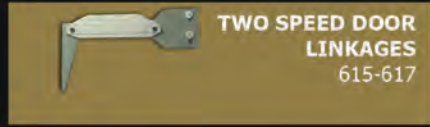
**CAR & HATCH
DOOR HANGERS**
603-606



DOOR PROTECTION
607-608



CLUTCHES
609-614



**TWO SPEED DOOR
LINKAGES**
615-617



INTERLOCKS
618-621



GATE SWITCHES
622-624

TABLE OF CONTENTS (GAL CANADA)

DOOR OPERATOR ISOMETRIC DRAWING

895 OPERATOR	559
1000 OPERATOR	561
MOVFE-2500 HARMONIC OPERATOR	563
MOVFE-2500 LINEAR OPERATOR	565

DOOR OPERATOR ASSEMBLIES

DOOR OPERATOR HARMONIC (MEDIUM DUTY)

895 (SINGLE SPEED)	568
895 (TWO SPEED) - OPEN LOOP	569
895 (CENTER PARTING)	570

DOOR OPERATOR HARMONIC (HEAVY DUTY)

1000 (SINGLE SPEED)	571
1000 (TWO SPEED) - OPEN LOOP	572
1000 (CENTER PARTING)	573
MOVFE-2500 (SINGLE SPEED)	575
MOVFE-2500 (TWO SPEED) - CLOSE LOOP	576
MOVFE-2500 (CENTER PARTING)	577

DOOR OPERATOR LINEAR (HEAVY DUTY)

MOVFE-2500 (SINGLE SPEED)	579
MOVFE-2500 (TWO SPEED) - CLOSE LOOP	580
MOVFE-2500 (CENTER PARTING)	583

DOOR OPERATOR PARTS - HARMONIC

CRANK/DRIVE ARM ASSEMBLIES

895 SERIES	584
895 SERIES (SINGLE SPEED)	584
895 SERIES (TWO SPEED)	585
895 SERIES (CENTER PARTING)	586
1000 & 2500HH SERIES (SINGLE SPEED)	586
1000 & 2500HH SERIES (TWO SPEED)	587
1000 & 2500HH SERIES (CENTER PARTING)	587

DRIVE BOARD ASSEMBLIES (MOVFE 2500 SERIES)

ELECTRONIC ASSEMBLIES (895 SERIES)

ELECTRONIC ASSEMBLIES (1000 SERIES)

MODULES AND BOARDS (MOVFE 2500 SERIES)

PCB ASSEMBLIES

PIVOT ASSEMBLIES

SLAVE BRACKET ASSEMBLIES

SLAVE BRACKET PARTS

SLAVE ARMS	591
------------	-----

BAR ASSEMBLIES (TYPE "A" BAR)

BAR, PIVOT ASSEMBLIES

BRACKET, PIVOT ASSEMBLIES

CAM ASSEMBLIES

CHAIN SPROCKET ASSEMBLIES

MOTOR ASSEMBLIES AND RELATED PARTS

WHEEL ASSEMBLIES (CHAIN, WHEEL)

CONNECTORS

FUSES

LINKAGES (TYPE "C")

SILENCER STRAP ASSEMBLY

SILENCER & BEARING PACKAGE

PARAMETER UNIT AND CABLE

RELAYS

ROLLERS, CHAIN TENSION ASSEMBLY

ROLLERS, STOP

MISCELLANEOUS PARTS

DOOR OPERATOR PARTS - LINEAR (MOVFE 2500 SERIES)

DRIVE BELTS

MODULES AND BOARDS (MOVFE 2500 SERIES)

CABLES

CONNECTORS

DOOR STOPS

EXTENSION ARMS

MOTOR ASSEMBLIES AND RELATED PARTS

KEEPER BRACKETS

PARAMETER UNIT AND CABLES

PULLEY ASSEMBLIES

FIXING STRUTS

UNIVERSAL BRACKET

MISCELLANEOUS PARTS

CAR DOOR HANGER ASSEMBLIES

TYPE "Y" - DRIVE ARM PIVOT BRACKET

CAR DOOR HEADER ASSEMBLIES - 909 SERIES

TRACK AND HANGER ASSEMBLIES

SINGLE SPEED - UNGEARED

TWO SPEED - GEARED

TWO SPEED - UNGEARED

CENTER PARTING - UNGEARED

HALL DOOR TRACK ASSEMBLIES - 909 SERIES

HALL DOOR TRACK AND HANGER ASSEMBLIES

SINGLE SPEED - UNGEARED

TWO SPEED - GEARED

TWO SPEED - UNGEARED

CENTER PARTING - GEARED

DOOR PROTECTION - 906 SERIES

PANA-40

PANACHROME

ELITE 640

ELITE REPLACEMENT CABLE

TABLE OF CONTENTS (GAL CANADA)

CLUTCH ISOMETRIC DRAWING

892 KEEPER CLUTCH	609
-------------------	-----

CLUTCH ASSEMBLIES - 892 SERIES

COMPLETE CLUTCH (NON RESTRICTOR)	611
KEEPER CLUTCH ASSEMBLY	612
KEEPER CLUTCH ASSEMBLY (SHORT CLUTCH)	612

CLUTCH PARTS - 892 SERIES

HARDWARE	613
----------	-----

TWO SPEED LINKAGE - 898 SERIES

8 CAB HEIGHT	615
86" CAB HEIGHT	615
9 CAB HEIGHT	616
96" CAB HEIGHT	616
10 CAB HEIGHT	617
SPECIAL ENGINEERED	617

INTERLOCK ISOMETRIC DRAWING

890 INTERLOCK	618
---------------	-----

HEAVY DUTY INTERLOCK ASSEMBLIES - 890 SERIES

HEAVY DUTY INTERLOCK PARTS - 890 SERIES

BEAK ASSEMBLY AND PARTS	619
PICK UP ROLLER ASSEMBLY AND PARTS	620
CONTACT KIT AND PARTS	621
BRACKET	621
ACCESSORIES	621

GATE SWITCH ISOMETRIC DRAWING

894 GATE SWITCH	622
-----------------	-----

GATE SWITCH ASSEMBLIES - 894 SERIES

COMPATABLE WITH LINEAR OPERATORS	623
COMPATABLE WITH UNIVERSAL OPERATORS	623

GATE SWITCH PARTS - 894 SERIES

WIRE ROPE - 908 SERIES

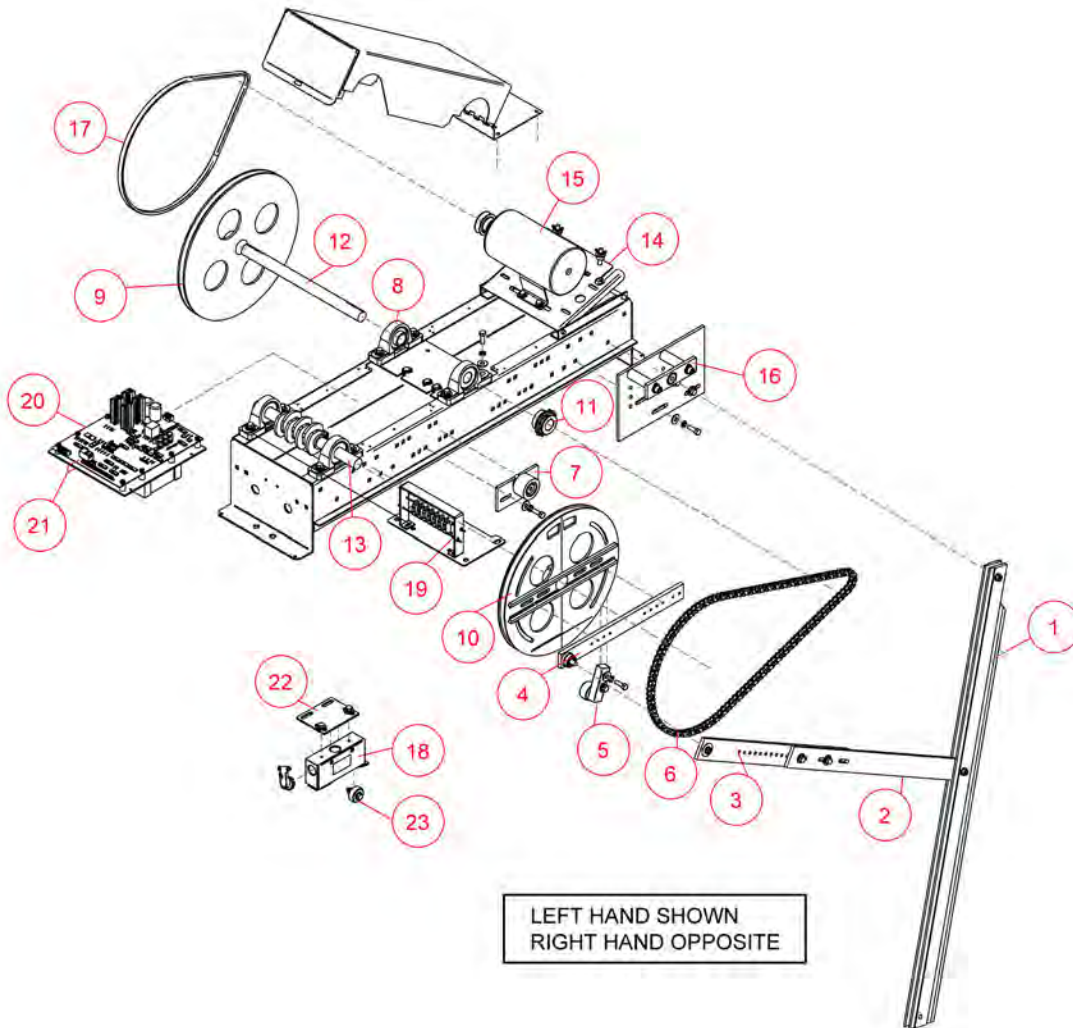
PEIFER DRAKO 8 X 19 S-FC, RRL 3/8	624
PEIFER DRAKO 8 X 19 S-FC, RRL 1/2	624
PEIFER DRAKO 8 X 19 S-FC, RRL 5/8	624
ROPE CLAMP	624
SWIVEL HEAD ROPE WEDGE SOCKET 1/2"	624
SWIVEL HEAD ROPE WEDGE SOCKET 5/8"	624

DOOR EQUIPMENT

Operator Isometric Drawing

895 Operator

Single Speed / Two Speed



Part No.	Item No	Description
895-3003	1	Crank Arm Assembly
895-3017	2	Slotted "C" Linkage
895-3025	3	Tapped "C" Linkage
895-3020	4	"A" Bar
1000-3016	5	Roller Stop
895-3013	6	#35 Chain Kit
895-3014	7	Chain Tensioner
895-3010	8	Pillow Block Bearings
895-3015	9	Pulley Wheel
895-3016	10	Chain Wheel
895-3012	11	Chain #35 Sprocket
895-3009	12	Pulley Drive Shaft

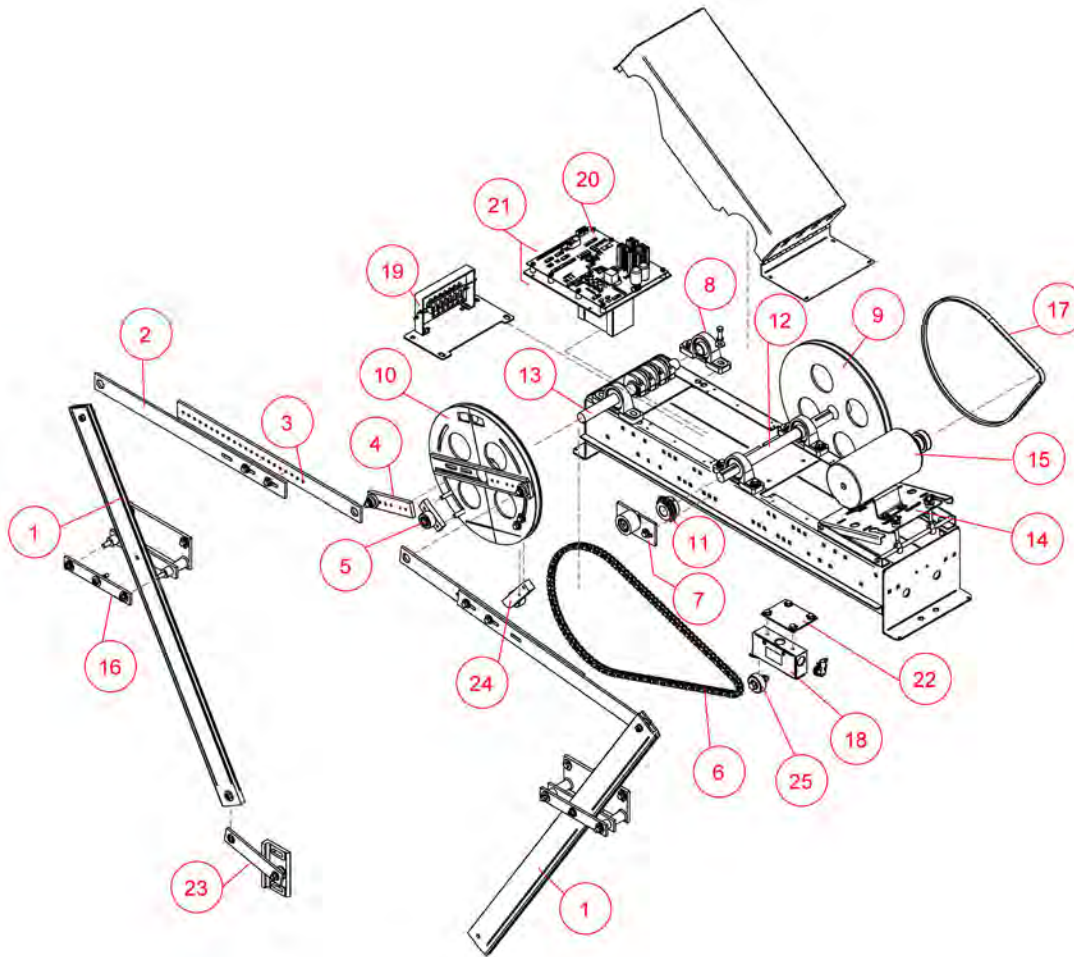
Part No.	Item No	Description
895-3022	13	Cam Shaft
1000-3005	14	Motor Pivot Plate
895-3006	15	1/6 HP Motor
895-3046	16	Pivot Bar
1000-3008	17	"V" Belt
SW1-0001N	18	Gate Switch Type "G"
895-3024	19	Limit Switch Assembly
895-3050	20	Drive Board
895-3051	21	Drive Unit Complete
890-3025	22	Gate Switch Mounting Plate
SW1-0007N	23	Roller & Bolt, Gate Switch

DOOR EQUIPMENT

Operator Isometric Drawing

895 Operator

Center Parting



GAL Canada
Operator

Part No.	Item No	Description
895-3003-1	1	Crank Arm Set
895-3017	2	Slotted "C" Linkage
895-3025	3	Tapped "C" Linkage
895-3027	4	C/P "A" Bar Assembly
1000-3016-2	5	Roller Stop Outside
895-3013	6	#35 Chain Kit
895-3014	7	Chain Tensioner
895-3010	8	Pillow Block Bearings
895-3015	9	Pulley Wheel
895-3017	10	Chain Wheel
895-3012	11	Chain #35 Sprocket
895-3009	12	Pulley Drive Shaft
895-3022	13	Cam Shaft

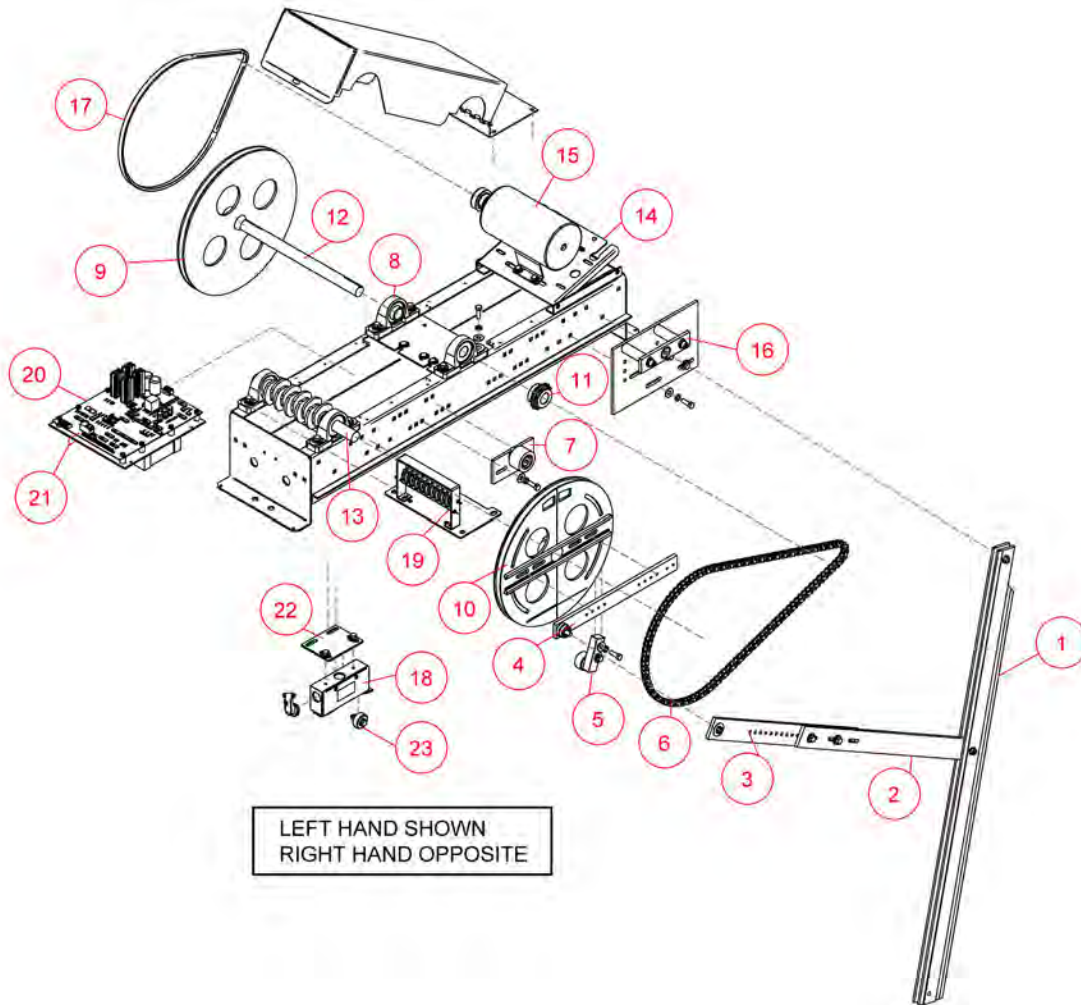
Part No.	Item No	Description
1000-3005	14	Motor Pivot Plate
895-3006	15	1/6 HP Motor
895-3029	16	Pivot Bracket Assembly
1000-3008	17	"V" Belt
SW1-0001N	18	Gate Switch Type "G"
895-3024	19	Limit Switch Assembly
895-3050	20	Drive Board
895-3051	21	Drive Unit Complete
890-3025	22	Gate Switch Mounting Plate
895-3028-6	23	Slave Bracket Assembly
1000-3016-1	24	Roller-Stop Inside
SW1-0007N	25	Roller & Bolt, Gate Switch

DOOR EQUIPMENT

Operator Isometric Drawing

1000 Operator

Single Speed / Two Speed



Part No.	Item No	Description
1000-3003	1	Crank Arm Assembly
1000-3026	2	Slotted "C" Linkage
1000-3025	3	Tapped "C" Linkage
1000-3020	4	"A" Bar
1000-3016	5	Roller Stop
1000-3014	6	#40 Chain Kit
1000-3015	7	Chain Tensioner
1000-3011	8	Pillow Block Bearings
1000-3009	9	Pulley Wheel
1000-3017	10	Chain Wheel
1000-3013	11	Chain #40 Sprocket
1000-3010	12	Pulley Drive Shaft

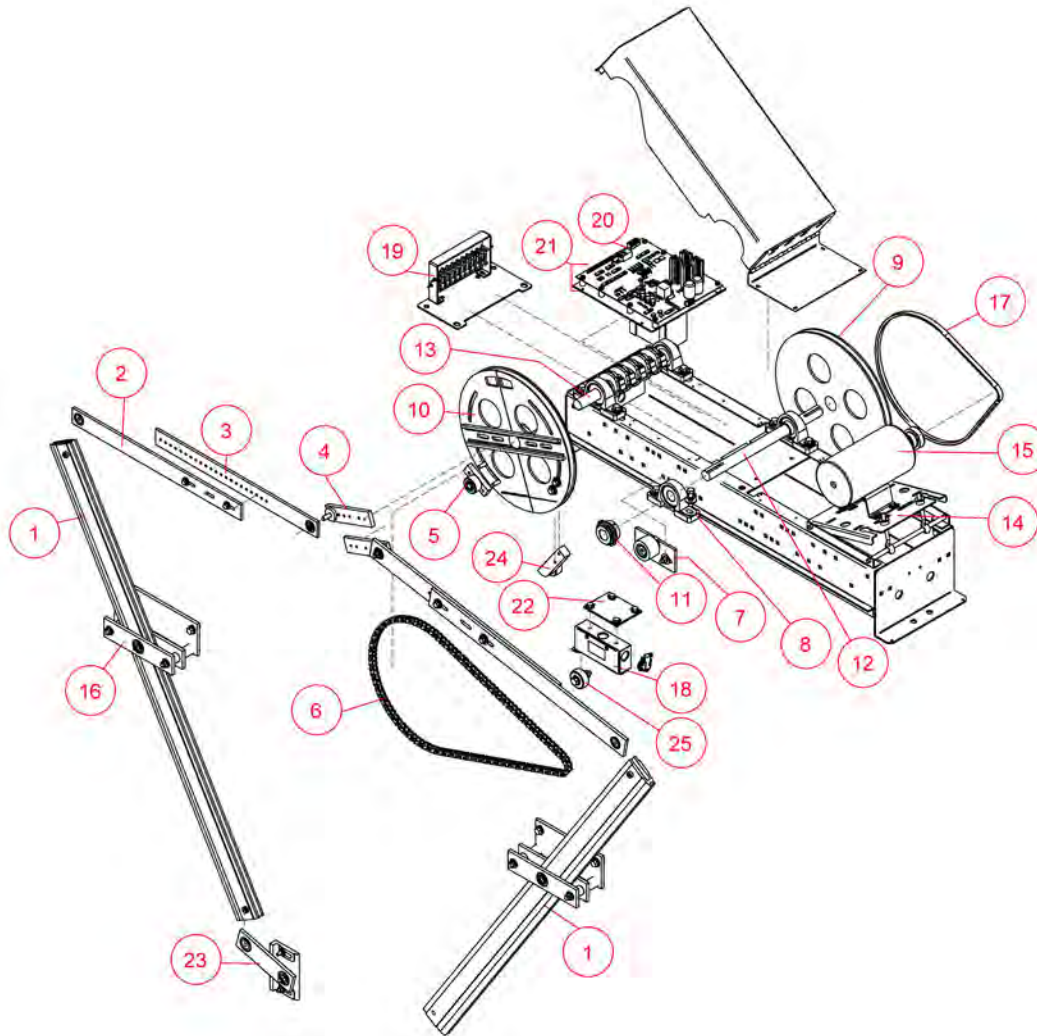
Part No.	Item No	Description
1000-3002	13	Cam Shaft
1000-3005	14	Motor Pivot Plate
1000-3006	15	1/3 HP Motor
1000-3046	16	Pivot Bar
1000-3008	17	"V" Belt
SW1-0001N	18	Gate Switch Type "G"
1000-3024	19	Limit Switch Assembly
1000-3050	20	Drive Board
1000-3051	21	Drive Unit Complete
890-3025	22	Gate Switch Mounting Plate
SW1-0007N	23	Roller & Bolt, Gate Switch

DOOR EQUIPMENT

Operator Isometric Drawing

1000 Operator

Center Parting



GAL Canada
Operator

Part No.	Item No	Description
1000-3003-1	1	Crank Arm Set
1000-3026	2	Slotted "C" Linkage
1000-3025	3	Tapped "C" Linkage
1000-3027	4	C/P "A" Bar Assembly
1000-3016-2	5	Roller Stop Outside
1000-3014	6	#40 Chain Kit
1000-3015	7	Chain Tensioner
1000-3011	8	Pillow Block Bearings
1000-3009	9	Pulley Wheel
1000-3017	10	Chain Wheel
1000-3013	11	Chain #40 Sprocket
1000-3010	12	Pulley Drive Shaft
1000-3002	13	Cam Shaft

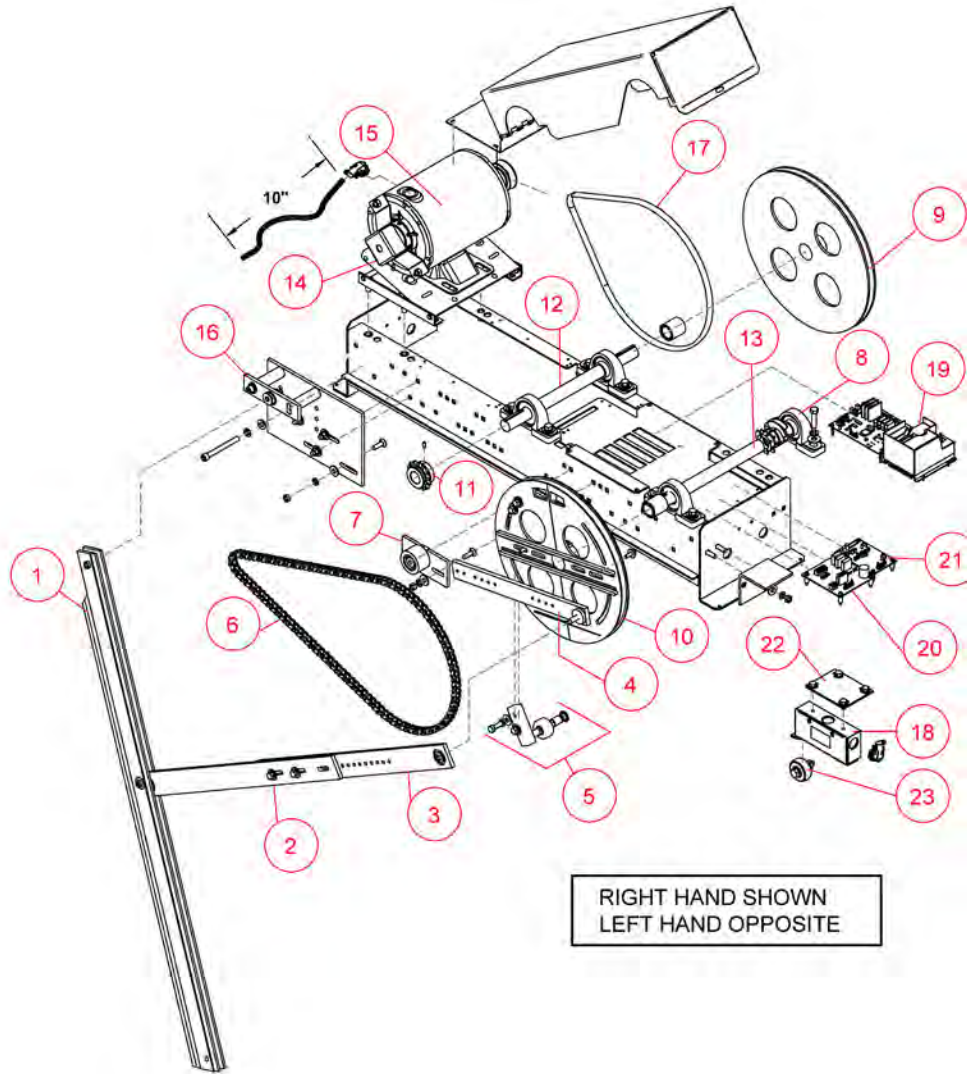
Part No.	Item No	Description
1000-3005	14	Motor Pivot Plate
1000-3006	15	1/3 HP Motor
1000-3029	16	Pivot Bracket Assembly
1000-3008	17	"V" Belt
SW1-0001N	18	Gate Switch Type "G"
1000-3024	19	Limit Switch Assembly
1000-3050	20	Drive Board
1000-3051	21	Drive Unit Complete
890-3025	22	Gate Switch Mounting Plate
1000-3028-6	23	Slave Bracket Assembly
1000-3016-1	24	Roller Stop Inside
SW1-0007N	25	Roller & Bolt, Gate Switch

DOOR EQUIPMENT

Operator Isometric Drawing

MOVFE-2500 Harmonic Operator

Single Speed / Two Speed



RIGHT HAND SHOWN
LEFT HAND OPPOSITE

Part No.	Item No	Description
1000-3003	1	Crank Arm Assembly
2500-3026	2	Slotted "C" Linkage
2500-3025	3	Tapped "C" Linkage
1000-3020	4	"A" Bar
1000-3016	5	Roller Stop
1000-3014	6	#40 Chain Kit
1000-3015	7	Chain Tensioner
1000-3011	8	Pillow Block Bearings
1000-3009	9	Pulley Wheel
1000-3017	10	Chain Wheel
1000-3013	11	Chain #40 Sprocket
1000-3010	12	Pulley Drive Shaft

Part No.	Item No	Description
1000-3002	13	Cam Shaft
1000-3005	14	Motor Pivot Plate
2500-3057	15	1/2 HP Motor
2500-3046	16	Pivot Bar
1000-3008	17	"V" Belt
SW1-0001N	18	Gate Switch Type "G"
2500-3050	19	VFE Drive Unit (Includes Parameter Part # 2500-3051)
2500-3055	20	I/O Board
2500-3056	21	Optd Cam Board
890-3025	22	Gate Switch Mounting Plate
SW1-0007N	23	Roller & Bolt, Gate Switch

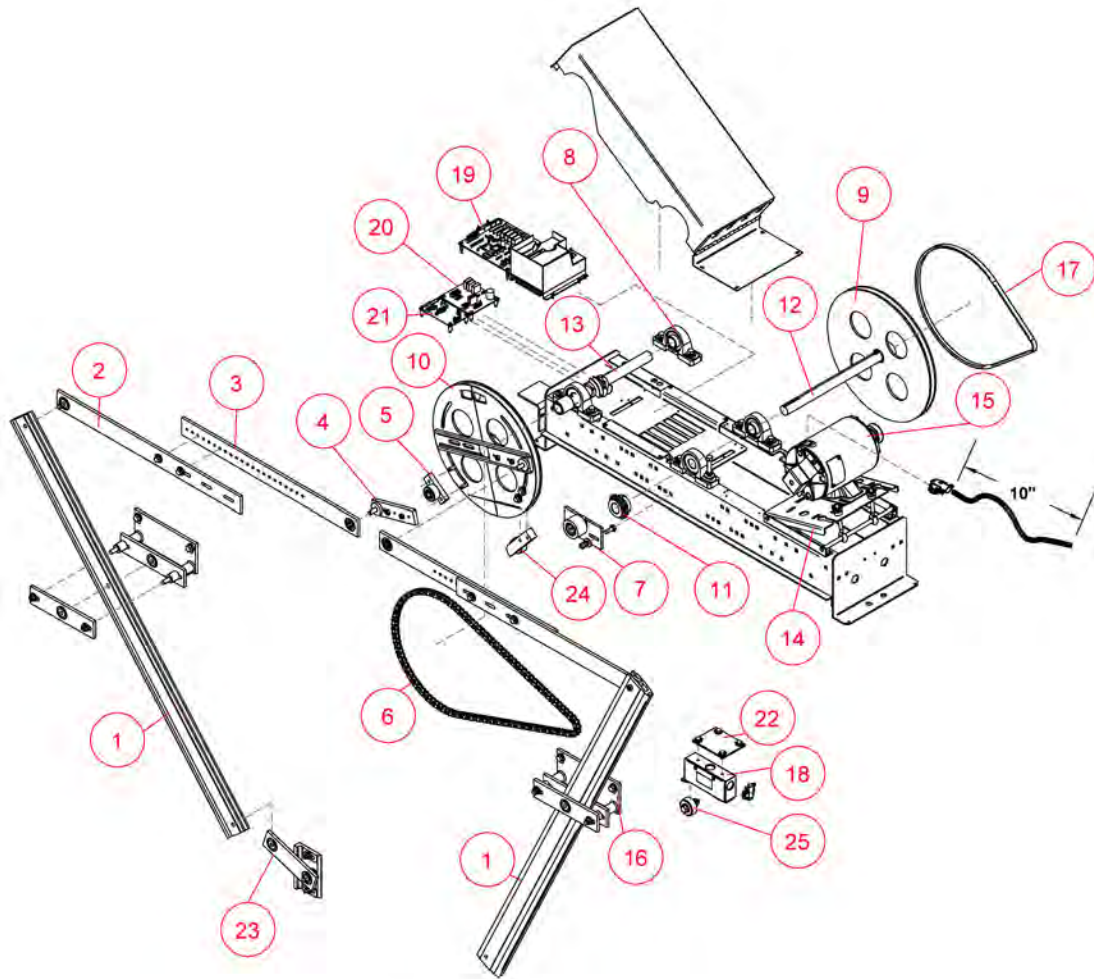
GAL Canada
Operator

DOOR EQUIPMENT

Operator Isometric Drawing

MOVFE-2500 Harmonic Operator

Center Parting



GAL Canada Operator

Part No.	Item No	Description
1000-3003-1	1	Crank Arm Set
2500-3026	2	Slotted "C" Linkage
2500-3025	3	Tapped "C" Linkage
1000-3027	4	C/P "A" Bar Assembly
1000-3016-2	5	Roller Stop Outside
1000-3014	6	#40 Chain Kit
1000-3015	7	Chain Tensioner
1000-3011	8	Pillow Block Bearings
1000-3009	9	Pulley Wheel
1000-3017	10	Chain Wheel
1000-3013	11	Chain #40 Sprocket
1000-3010	12	Pulley Drive Shaft
1000-3002	13	Cam Shaft

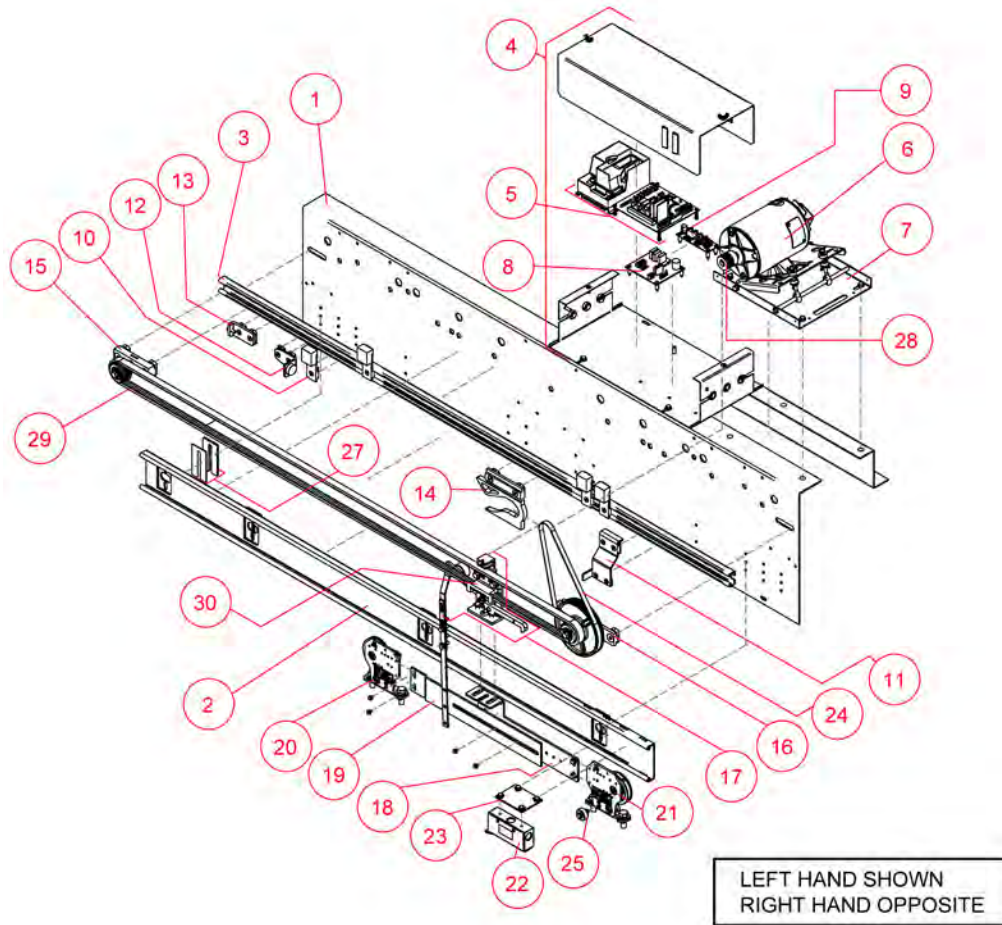
Part No.	Item No	Description
1000-3005	14	Motor Pivot Plate
2500-3057	15	1/2 HP Motor
2500-3029	16	Pivot Bracket Assembly
1000-3008	17	"V" Belt
SW1-0001N	18	Gate Switch Type "G"
2500-3050	19	VFE Drive Unit (Includes Parameter Part # 2500-3051)
2500-3055	20	I/O Board
2500-3056	21	Optd Cam Board
890-3025	22	Gate Switch Mounting Plate
2500-3028-6	23	Slave Bracket Assembly
1000-3016-1	24	Roller Stop Inside
SW1-0007N	25	Roller & Bolt, Gate Switch

DOOR EQUIPMENT

Operator Isometric Drawing

MOVFE-2500 Linear Operator

Single Speed



Part No.	Item No	Description
Call GAL Canada	1	Combination Header Plate
Call GAL Canada	2	Hanger Track
2000-3066	3	Fixing Strut
2500-3054	4	Complete Drive Unit
2500-3050	5	VFE Drive Unit (Includes Parameter Part # 2500-3051)
2500-3058	6	1/2 HP Motor
2500-3063	7	Base Pivot Assembly
2500-3055	8	I/O Board
2500-1002	9	Transfer Board
2500-5019	10	Sensor Assembly
2000-3092	11	Keeper Bracket
2000-3089	12	Open Door Stop
2000-3080	13	Tension Block
2000-3084	14	Clutch Cam

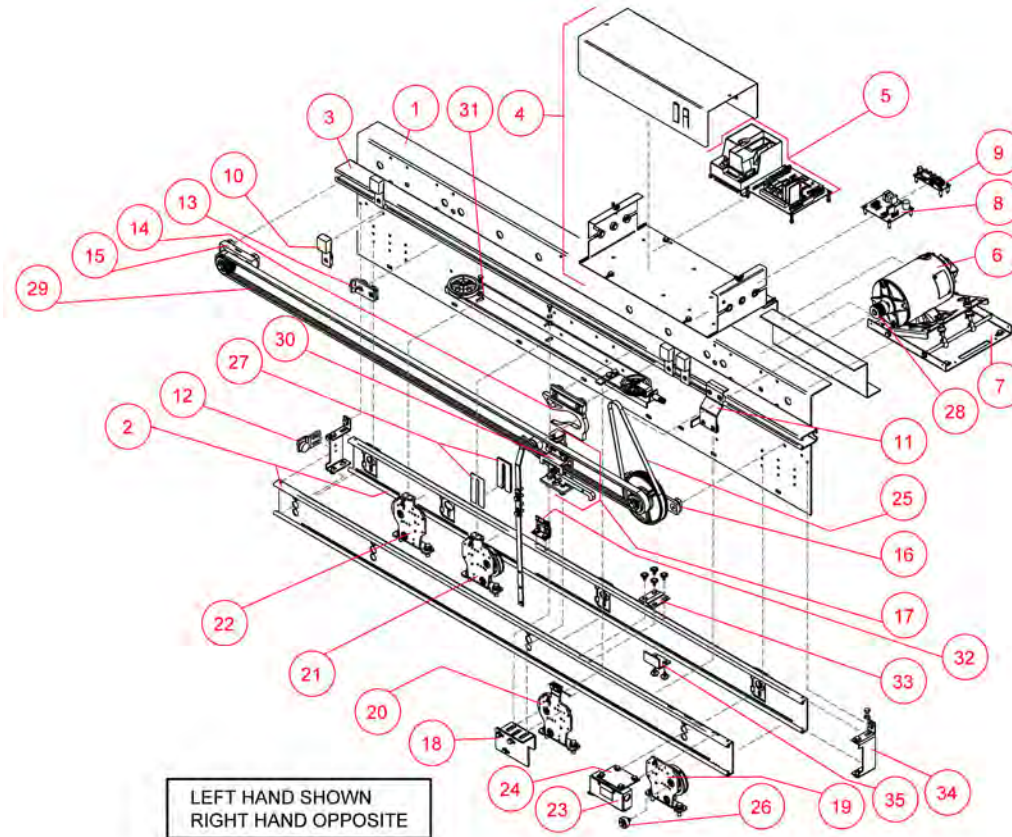
Part No.	Item No	Description
2500-3075	15	Take Up Pulley
2500-3074	16	Drive Pulley
2000-3068	17	Lower Belt Keeper Bracket
2000-1031	18	Universal Plate
2000-1037- 39	19	Extension Arm
HH1-0022R	20	Sheave, Right Hand
HH1-0022L	21	Sheave, Left Hand
SW1-0001N	22	Gate Switch Type "G"
890-3025	23	Gate Switch Mounting Plate
2500-5010	24	Motor "V"-Belt
SW1-0007N	25	Roller & Bolt, Gate Switch
909-6025	26	Track Shims
2500-5008	27	Multi-"V" Motor Pulley
2500-5009	28	Drive Belt
2500-1004	29	Eagle Belt Bracket

DOOR EQUIPMENT

Operator Isometric Drawing

MOVFE-2500 Linear Operator

Two Speed



Part No.	Item No	Description
Call GAL Canada	1	Combination Header Plate
Call GAL Canada	2	Hanger Track
2000-3067	3	Fixing Strut
2500-3054	4	Complete Drive Unit
2500-3050	5	VFE Drive Unit (Includes Parameter Part # 2500-3051)
2500-3058	6	1/2 HP Motor
2500-3063	7	Base Pivot Assembly
2500-3055	8	I/O Board
2500-1002	9	Transfer Board
2500-5019	10	Sensor Assembly
2000-3092	11	Keeper Bracket
2000-3089-2	12	Open Door Stop
2000-3080	13	Tension Block
2000-3084	14	Clutch Cam
2500-3075	15	Take Up Pulley
2500-3074	16	Drive Pulley
2000-3068	17	Lower Belt Keeper Bracket
2000-1040-2S-L	18	Universal Plate

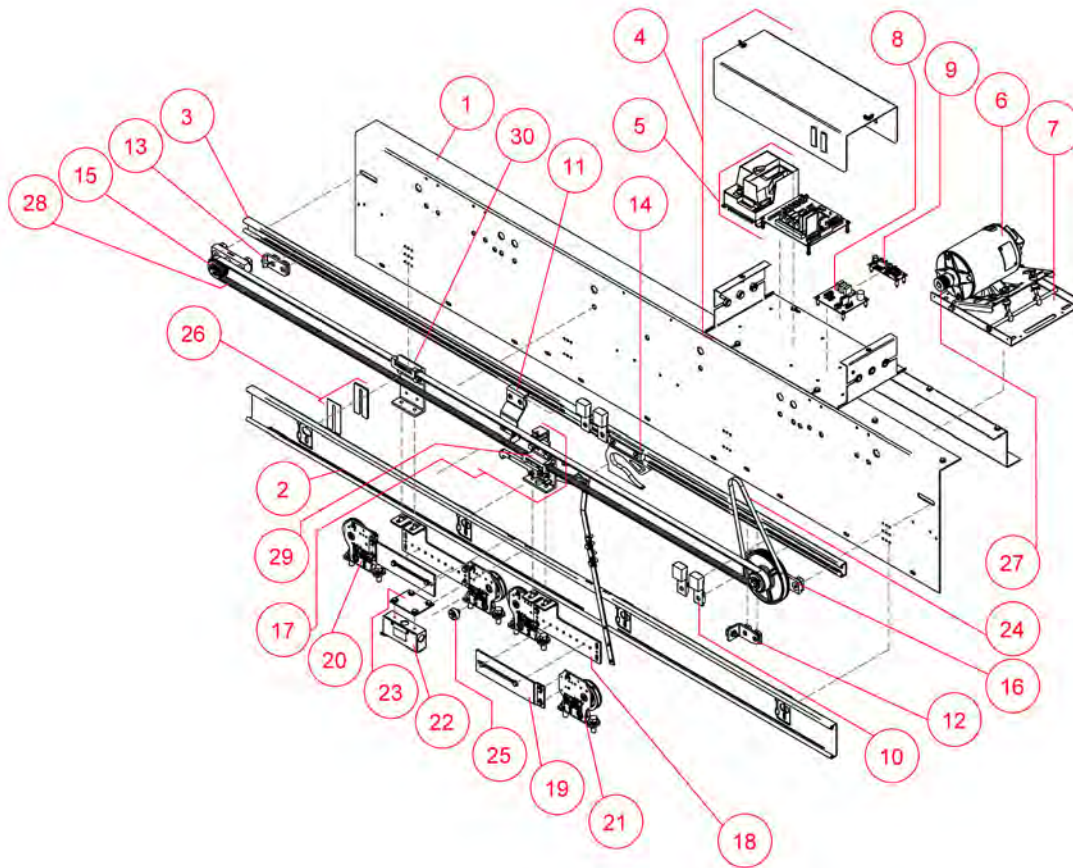
Part No.	Item No	Description
HH1-0022L	19	Sheave, Left Hand
CDH2-0065R	20	Sheave, 2Sp Cable Gear, Fast Door Sheave
CDH2-0067L	21	Sheave, 2Sp Cable Gear Bar, Slow Door Sheave
CDH2-0067R	22	Sheave, 2Sp Cable Gear Bar, Slow Door Sheave
SW1-0001N	23	Gate Switch Type "G"
890-3025	24	Gate Switch Mounting Plate
2500-5010	25	Motor "V" Belt
SW1-0007N	26	Roller & Bolt, Gate Switch
909-6025	27	Track Shims
2500-5008	28	Multi- "V" Motor Pulley
2500-5009	29	Drive Belt
2500-1004	30	Eagle Belt Bracket
Call GAL Canada	31	Cable Gearing Bar
CDH2-0082N	32	Clamp, 2Sp Cable Anchor
HH2-0053N	33	Bracket, Track Top 1 1/2"
HH2-0052L	34	Bracket, Track End 1 1/2", 2/Sp For 4 1/4" Track
HH2-0054N	35	Angle, Track Bottom 1 1/2"

DOOR EQUIPMENT

Operator Isometric Drawing

MOVFE-2500 Linear Operator

Center Parting



Part No.	Item No	Description
Call GAL Canada	1	Combination Header Plate
Call GAL Canada	2	Hanger Track
2000-3066	3	Fixing Strut
2500-3054	4	Complete Drive Unit
2500-3050	5	VFE Drive Unit (Includes Parameter Part # 2500-3051)
2500-3058	6	1/2 HP Motor
2500-3063	7	Base Pivot Assembly
2500-3055	8	I/O Board
2500-1002	9	Transfer Board
2500-5019	10	Sensor Assembly
2000-3092	11	Keeper Bracket
2000-3089	12	Open Door Stop
2000-3080	13	Tension Block
2000-3084	14	Clutch Cam
2500-3075	15	Take-Up Pulley

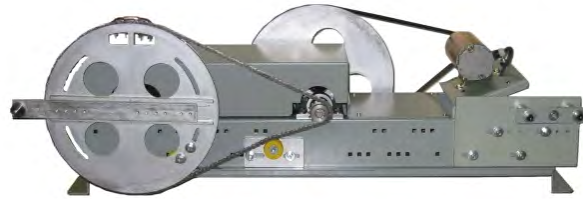
Part No.	Item No	Description
2500-3074	16	Drive Pulley
2000-3068	17	Lower Belt Keeper Bracket
2000-1040	18	Universal Plate
2000-1041 & 2000-1042	19	Extension Arm
HH1-0022R	20	Sheave, Right Hand
HH1-0022L	21	Sheave, Left Hand
SW1-0001N	22	Gate Switch Type "G"
890-3025	23	Gate Switch Mounting Plate
2500-5010	24	Motor "V" Belt
SW1-0007N	25	Roller & Bolt, Gate Switch
909-6025	26	Track Shims
2500-5008	27	Mult "V" Motor Pulley
2500-5009	28	Drive Belt
2500-1004	29	Eagle Belt Bracket
2000-3069	30	Upper Belt Bracket

DOOR EQUIPMENT

Door Operator Assemblies

Door Operator Harmonic (Medium Duty)

895 (Single Speed)



16" Header Height - 120 V.A.C.

Part No.	Cab Height	S/S	CAD Price
895-4125-1L/R	8'	28"-29"	\$2,000.00
895-4150-1L/R	8'	30"-34"	\$2,000.00
895-4175-1L/R	8'	35"-39"	\$2,000.00
895-4200-1L/R	8'	40"-44"	\$2,000.00
895-4225-1L/R	8'	45"-51"	\$2,000.00
895-4250-1L/R	8'	52"-54"	\$2,000.00

16" Header Height - 230 V.A.C.

Part No.	Cab Height	S/S	CAD Price
895-4125-2L/R	8'	28"-29"	\$2,000.00
895-4150-2L/R	8'	30"-34"	\$2,000.00
895-4175-2L/R	8'	35"-39"	\$2,000.00
895-4200-2L/R	8'	40"-44"	\$2,000.00
895-4225-2L/R	8'	45"-51"	\$2,000.00
895-4250-2L/R	8'	52"-54"	\$2,000.00

22" Header Height - 120 V.A.C.

Part No.	Cab Height	S/S	CAD Price
895-4125-3L/R	8' 6"	28"-29"	\$2,000.00
895-4150-3L/R	8' 6"	30"-34"	\$2,000.00
895-4175-3L/R	8' 6"	35"-39"	\$2,000.00
895-4200-3L/R	8' 6"	40"-44"	\$2,000.00
895-4225-3L/R	8' 6"	45"-51"	\$2,000.00
895-4250-3L/R	8' 6"	52"-54"	\$2,000.00

22" Header Height - 230 V.A.C.

Part No.	Cab Height	S/S	CAD Price
895-4125-4L/R	8' 6"	28"-29"	\$2,000.00
895-4150-4L/R	8' 6"	30"-34"	\$2,000.00
895-4175-4L/R	8' 6"	35"-39"	\$2,000.00
895-4200-4L/R	8' 6"	40"-44"	\$2,000.00
895-4225-4L/R	8' 6"	45"-51"	\$2,000.00
895-4250-4L/R	8' 6"	52"-54"	\$2,000.00

28" Header Height - 120 V.A.C.

Part No.	Cab Height	S/S	CAD Price
895-4125-5L/R	9'	28"-29"	\$2,000.00
895-4150-5L/R	9'	30"-34"	\$2,000.00
895-4175-5L/R	9'	35"-39"	\$2,000.00
895-4200-5L/R	9'	40"-44"	\$2,000.00
895-4225-5L/R	9'	45"-51"	\$2,000.00
895-4250-5L/R	9'	52"-54"	\$2,000.00

28" Header Height - 230 V.A.C.

Part No.	Cab Height	S/S	CAD Price
895-4125-6L/R	9'	28"-29"	\$2,000.00
895-4150-6L/R	9'	30"-34"	\$2,000.00
895-4175-6L/R	9'	35"-39"	\$2,000.00
895-4200-6L/R	9'	40"-44"	\$2,000.00
895-4225-6L/R	9'	45"-51"	\$2,000.00
895-4250-6L/R	9'	52"-54"	\$2,000.00

34" Header Height - 120 V.A.C.

Part No.	Cab Height	S/S	CAD Price
895-4125-7L/R	9' 6"	28"-29"	\$2,000.00
895-4150-7L/R	9' 6"	30"-34"	\$2,000.00
895-4175-7L/R	9' 6"	35"-39"	\$2,000.00
895-4200-7L/R	9' 6"	40"-44"	\$2,000.00
895-4225-7L/R	9' 6"	45"-51"	\$2,000.00
895-4250-7L/R	9' 6"	52"-54"	\$2,000.00

34" Header Height - 230 V.A.C.

Part No.	Cab Height	S/S	CAD Price
895-4125-8L/R	9' 6"	28"-29"	\$2,000.00
895-4150-8L/R	9' 6"	30"-34"	\$2,000.00
895-4175-8L/R	9' 6"	35"-39"	\$2,000.00
895-4200-8L/R	9' 6"	40"-44"	\$2,000.00
895-4225-8L/R	9' 6"	45"-51"	\$2,000.00
895-4250-8L/R	9' 6"	52"-54"	\$2,000.00

40" Header Height - 120 V.A.C.

Part No.	Cab Height	S/S	CAD Price
895-4125-9L/R	10'	28"-29"	\$2,000.00
895-4150-9L/R	10'	30"-34"	\$2,000.00
895-4175-9L/R	10'	35"-39"	\$2,000.00
895-4200-9L/R	10'	40"-44"	\$2,000.00
895-4225-9L/R	10'	45"-51"	\$2,000.00
895-4250-9L/R	10'	52"-54"	\$2,000.00

40" Header Height - 230 V.A.C.

Part No.	Cab Height	S/S	CAD Price
895-4125-10L/R	10'	28"-29"	\$2,000.00
895-4150-10L/R	10'	30"-34"	\$2,000.00
895-4175-10L/R	10'	35"-39"	\$2,000.00
895-4200-10L/R	10'	40"-44"	\$2,000.00
895-4225-10L/R	10'	45"-51"	\$2,000.00
895-4250-10L/R	10'	52"-54"	\$2,000.00

GAL Canada
Operator

DOOR EQUIPMENT

Door Operator Assemblies

Door Operator Harmonic (Medium Duty)

895 (Single Speed)

Header Height - CUSTOM

Part No.	Cab Height	S/S	CAD Price
895-4000*	Custom	28"-200"	\$1,718.00

895 (Two Speed) - Open Loop

16" Header Height - 120 V.A.C.

Part No.	Cab Height	2/SP	CAD Price
895-4275-1L/R	8'	28"-29"	\$2,000.00
895-4300-1L/R	8'	30"-34"	\$2,000.00
895-4325-1L/R	8'	35"-39"	\$2,000.00
895-4350-1L/R	8'	40"-44"	\$2,000.00
895-4375-1L/R	8'	45"-51"	\$2,000.00
895-4400-1L/R	8'	52"-54"	\$2,000.00

16" Header Height - 230 V.A.C.

Part No.	Cab Height	2/SP	CAD Price
895-4275-2L/R	8'	28"-29"	\$2,000.00
895-4300-2L/R	8'	30"-34"	\$2,000.00
895-4325-2L/R	8'	35"-39"	\$2,000.00
895-4350-2L/R	8'	40"-44"	\$2,000.00
895-4375-2L/R	8'	45"-51"	\$2,000.00
895-4400-2L/R	8'	52"-54"	\$2,000.00

22" Header Height - 120 V.A.C.

Part No.	Cab Height	2/SP	CAD Price
895-4275-3L/R	8' 6"	28"-29"	\$2,000.00
895-4300-3L/R	8' 6"	30"-34"	\$2,000.00
895-4325-3L/R	8' 6"	35"-39"	\$2,000.00
895-4350-3L/R	8' 6"	40"-44"	\$2,000.00
895-4375-3L/R	8' 6"	45"-51"	\$2,000.00
895-4400-3L/R	8' 6"	52"-54"	\$2,000.00

22" Header Height - 230 V.A.C.

Part No.	Cab Height	2/SP	CAD Price
895-4275-4L/R	8' 6"	28"-29"	\$2,000.00
895-4300-4L/R	8' 6"	30"-34"	\$2,000.00
895-4325-4L/R	8' 6"	35"-39"	\$2,000.00
895-4350-4L/R	8' 6"	40"-44"	\$2,000.00
895-4375-4L/R	8' 6"	45"-51"	\$2,000.00
895-4400-4L/R	8' 6"	52"-54"	\$2,000.00

28" Header Height - 120 V.A.C.

Part No.	Cab Height	2/SP	CAD Price
895-4275-5L/R	9'	28"-29"	\$2,000.00
895-4300-5L/R	9'	30"-34"	\$2,000.00
895-4325-5L/R	9'	35"-39"	\$2,000.00
895-4350-5L/R	9'	40"-44"	\$2,000.00
895-4375-5L/R	9'	45"-51"	\$2,000.00
895-4400-5L/R	9'	52"-54"	\$2,000.00

28" Header Height - 230 V.A.C.

Part No.	Cab Height	2/SP	CAD Price
895-4275-6L/R	9'	28"-29"	\$2,000.00
895-4300-6L/R	9'	30"-34"	\$2,000.00
895-4325-6L/R	9'	35"-39"	\$2,000.00
895-4350-6L/R	9'	40"-44"	\$2,000.00
895-4375-6L/R	9'	45"-51"	\$2,000.00
895-4400-6L/R	9'	52"-54"	\$2,000.00

34" Header Height - 120 V.A.C.

Part No.	Cab Height	2/SP	CAD Price
895-4275-7L/R	9' 6"	28"-29"	\$2,000.00
895-4300-7L/R	9' 6"	30"-34"	\$2,000.00
895-4325-7L/R	9' 6"	35"-39"	\$2,000.00
895-4350-7L/R	9' 6"	40"-44"	\$2,000.00
895-4375-7L/R	9' 6"	45"-51"	\$2,000.00
895-4400-7L/R	9' 6"	52"-54"	\$2,000.00

34" Header Height - 230 V.A.C.

Part No.	Cab Height	2/SP	CAD Price
895-4275-8L/R	9' 6"	28"-29"	\$2,000.00
895-4300-8L/R	9' 6"	30"-34"	\$2,000.00
895-4325-8L/R	9' 6"	35"-39"	\$2,000.00
895-4350-8L/R	9' 6"	40"-44"	\$2,000.00
895-4375-8L/R	9' 6"	45"-51"	\$2,000.00
895-4400-8L/R	9' 6"	52"-54"	\$2,000.00

40" Header Height - 120 V.A.C.

Part No.	Cab Height	2/SP	CAD Price
895-4275-9L/R	10'	28"-29"	\$2,000.00
895-4300-9L/R	10'	30"-34"	\$2,000.00
895-4325-9L/R	10'	35"-39"	\$2,000.00
895-4350-9L/R	10'	40"-44"	\$2,000.00
895-4375-9L/R	10'	45"-51"	\$2,000.00
895-4400-9L/R	10'	52"-54"	\$2,000.00

40" Header Height - 230 V.A.C.

Part No.	Cab Height	2/SP	CAD Price
895-4275-10L/R	10'	28"-29"	\$2,000.00
895-4300-10L/R	10'	30"-34"	\$2,000.00
895-4325-10L/R	10'	35"-39"	\$2,000.00
895-4350-10L/R	10'	40"-44"	\$2,000.00
895-4375-10L/R	10'	45"-51"	\$2,000.00
895-4400-10L/R	10'	52"-54"	\$2,000.00

DOOR EQUIPMENT

Door Operator Assemblies

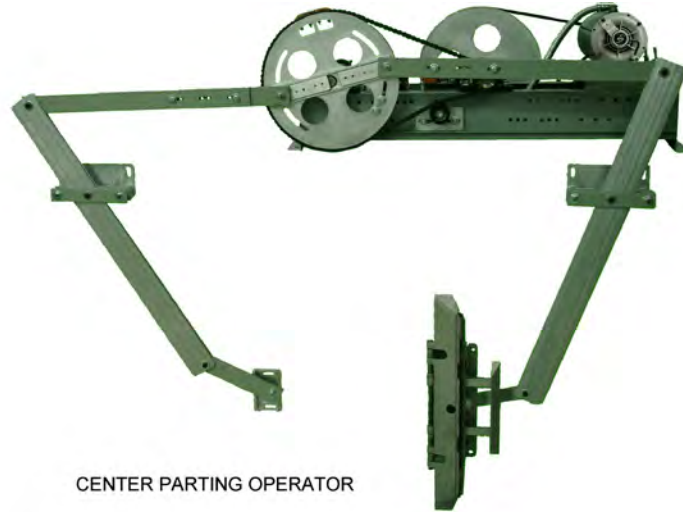
Door Operator Harmonic (Medium Duty)

895 (Two Speed) - Open Loop

Header Height - CUSTOM

Part No.	Cab Height	2/SP	CAD Price
895-4002*	Custom	28"-200"	\$2,000.00

895 (Center Parting)



CENTER PARTING OPERATOR

16" Header Height - 120 V.A.C.

Part No.	Cab Height	C/P	CAD Price
895-3000-1L/R	8'	29"-33"	\$2,150.00
895-3025-1L/R	8'	34"-39"	\$2,150.00
895-3050-1L/R	8'	40"-44"	\$2,150.00
895-3075-1L/R	8'	45"-49"	\$2,150.00
895-3100-1L/R	8'	50"-54"	\$2,150.00

16" Header Height - 230 V.A.C.

Part No.	Cab Height	C/P	CAD Price
895-3000-2L/R	8'	29"-33"	\$2,150.00
895-3025-2L/R	8'	34"-39"	\$2,150.00
895-3050-2L/R	8'	40"-44"	\$2,150.00
895-3075-2L/R	8'	45"-49"	\$2,150.00
895-3100-2L/R	8'	50"-54"	\$2,150.00

22" Header Height - 120 V.A.C.

Part No.	Cab Height	C/P	CAD Price
895-3000-3L/R	8' 6"	29"-33"	\$2,150.00
895-3025-3L/R	8' 6"	34"-39"	\$2,150.00
895-3050-3L/R	8' 6"	40"-44"	\$2,150.00
895-3075-3L/R	8' 6"	45"-49"	\$2,150.00
895-3100-3L/R	8' 6"	50"-54"	\$2,150.00

22" Header Height - 230 V.A.C.

Part No.	Cab Height	C/P	CAD Price
895-3000-4L/R	8' 6"	29"-33"	\$2,150.00
895-3025-4L/R	8' 6"	34"-39"	\$2,150.00
895-3050-4L/R	8' 6"	40"-44"	\$2,150.00
895-3075-4L/R	8' 6"	45"-49"	\$2,150.00
895-3100-4L/R	8' 6"	50"-54"	\$2,150.00

28" Header Height - 120 V.A.C.

Part No.	Cab Height	C/P	CAD Price
895-3000-5L/R	9'	29"-33"	\$2,150.00
895-3025-5L/R	9'	34"-39"	\$2,150.00
895-3050-5L/R	9'	40"-44"	\$2,150.00
895-3075-5L/R	9'	45"-49"	\$2,150.00
895-3100-5L/R	9'	50"-54"	\$2,150.00

28" Header Height - 230 V.A.C.

Part No.	Cab Height	C/P	CAD Price
895-3000-6L/R	9'	29"-33"	\$2,150.00
895-3025-6L/R	9'	34"-39"	\$2,150.00
895-3050-6L/R	9'	40"-44"	\$2,150.00
895-3075-6L/R	9'	45"-49"	\$2,150.00
895-3100-6L/R	9'	50"-54"	\$2,150.00

GAL Canada Operator

DOOR EQUIPMENT

Door Operator Assemblies

Door Operator Harmonic (Medium Duty)

895 (Center Parting)

34" Header Height - 120 V.A.C.

Part No.	Cab Height	C/P	CAD Price
895-3000-7L/R	9' 6"	29"-33"	\$2,150.00
895-3025-7L/R	9' 6"	34"-39"	\$2,150.00
895-3050-7L/R	9' 6"	40"-44"	\$2,150.00
895-3075-7L/R	9' 6"	45"-49"	\$2,150.00
895-3100-7L/R	9' 6"	50"-54"	\$2,150.00

34" Header Height - 230 V.A.C.

Part No.	Cab Height	C/P	CAD Price
895-3000-8L/R	9' 6"	29"-33"	\$2,150.00
895-3025-8L/R	9' 6"	34"-39"	\$2,150.00
895-3050-8L/R	9' 6"	40"-44"	\$2,150.00
895-3075-8L/R	9' 6"	45"-49"	\$2,150.00
895-3100-8L/R	9' 6"	50"-54"	\$2,150.00

40" Header Height - 120 V.A.C.

Part No.	Cab Height	C/P	CAD Price
895-3000-9L/R	10'	29"-33"	\$2,150.00
895-3025-9L/R	10'	34"-39"	\$2,150.00
895-3050-9L/R	10'	40"-44"	\$2,150.00
895-3075-9L/R	10'	45"-49"	\$2,150.00
895-3100-9L/R	10'	50"-54"	\$2,150.00

40" Header Height - 230 V.A.C.

Part No.	Cab Height	C/P	CAD Price
895-3000-10L/R	10'	29"-33"	\$2,150.00
895-3025-10L/R	10'	34"-39"	\$2,150.00
895-3050-10L/R	10'	40"-44"	\$2,150.00
895-3075-10L/R	10'	45"-49"	\$2,150.00
895-3100-10L/R	10'	50"-54"	\$2,150.00

Header Height - CUSTOM

Part No.	Cab Height	C/P	CAD Price
895-3000*	Custom	29"-200"	\$2,150.00

Door Operator Harmonic (Heavy Duty)

1000 (Single Speed)



16" Header Height - 120 V.A.C.

Part No.	Cab Height	S/S	CAD Price
1000-4125-1L/R	8'	28"-29"	\$2,300.00
1000-4150-1L/R	8'	30"-34"	\$2,300.00
1000-4175-1L/R	8'	35"-39"	\$2,300.00
1000-4200-1L/R	8'	40"-44"	\$2,300.00
1000-4225-1L/R	8'	45"-51"	\$2,300.00
1000-4250-1L/R	8'	52"-54"	\$2,300.00

16" Header Height - 230 V.A.C.

Part No.	Cab Height	S/S	CAD Price
1000-4125-2L/R	8'	28"-29"	\$2,300.00
1000-4150-2L/R	8'	30"-34"	\$2,300.00
1000-4175-2L/R	8'	35"-39"	\$2,300.00
1000-4200-2L/R	8'	40"-44"	\$2,300.00
1000-4225-2L/R	8'	45"-51"	\$2,300.00
1000-4250-2L/R	8'	52"-54"	\$2,300.00

22" Header Height - 120 V.A.C.

Part No.	Cab Height	S/S	CAD Price
1000-4125-3L/R	8' 6"	28"-29"	\$2,300.00
1000-4150-3L/R	8' 6"	30"-34"	\$2,300.00
1000-4175-3L/R	8' 6"	35"-39"	\$2,300.00
1000-4200-3L/R	8' 6"	40"-44"	\$2,300.00
1000-4225-3L/R	8' 6"	45"-51"	\$2,300.00
1000-4250-3L/R	8' 6"	52"-54"	\$2,300.00

22" Header Height - 230 V.A.C.

Part No.	Cab Height	S/S	CAD Price
1000-4125-4L/R	8' 6"	28"-29"	\$2,300.00
1000-4150-4L/R	8' 6"	30"-34"	\$2,300.00
1000-4175-4L/R	8' 6"	35"-39"	\$2,300.00
1000-4200-4L/R	8' 6"	40"-44"	\$2,300.00
1000-4225-4L/R	8' 6"	45"-51"	\$2,300.00
1000-4250-4L/R	8' 6"	52"-54"	\$2,300.00

GAL Canada
Operator

DOOR EQUIPMENT

Door Operator Assemblies

Door Operator Harmonic (Heavy Duty)

1000 (Single Speed)

28" Header Height - 120 V.A.C.

Part No.	Cab Height	S/S	CAD Price
1000-4125-5L/R	9'	28"-29"	\$2,300.00
1000-4150-5L/R	9'	30"-34"	\$2,300.00
1000-4175-5L/R	9'	35"-39"	\$2,300.00
1000-4200-5L/R	9'	40"-44"	\$2,300.00
1000-4225-5L/R	9'	45"-51"	\$2,300.00
1000-4250-5L/R	9'	52"-54"	\$2,300.00

28" Header Height - 230 V.A.C.

Part No.	Cab Height	S/S	CAD Price
1000-4125-6L/R	9'	28"-29"	\$2,300.00
1000-4150-6L/R	9'	30"-34"	\$2,300.00
1000-4175-6L/R	9'	35"-39"	\$2,300.00
1000-4200-6L/R	9'	40"-44"	\$2,300.00
1000-4225-6L/R	9'	45"-51"	\$2,300.00
1000-4250-6L/R	9'	52"-54"	\$2,300.00

34" Header Height - 120 V.A.C.

Part No.	Cab Height	S/S	CAD Price
1000-4125-7L/R	9' 6"	28"-29"	\$2,300.00
1000-4150-7L/R	9' 6"	30"-34"	\$2,300.00
1000-4175-7L/R	9' 6"	35"-39"	\$2,300.00
1000-4200-7L/R	9' 6"	40"-44"	\$2,300.00
1000-4225-7L/R	9' 6"	45"-51"	\$2,300.00
1000-4250-7L/R	9' 6"	52"-54"	\$2,300.00

34" Header Height - 230 V.A.C.

Part No.	Cab Height	S/S	CAD Price
1000-4125-8L/R	9' 6"	28"-29"	\$2,300.00
1000-4150-8L/R	9' 6"	30"-34"	\$2,300.00
1000-4175-8L/R	9' 6"	35"-39"	\$2,300.00
1000-4200-8L/R	9' 6"	40"-44"	\$2,300.00
1000-4225-8L/R	9' 6"	45"-51"	\$2,300.00
1000-4250-8L/R	9' 6"	52"-54"	\$2,300.00

40" Header Height - 120 V.A.C.

Part No.	Cab Height	S/S	CAD Price
1000-4125-9L/R	10'	28"-29"	\$2,300.00
1000-4150-9L/R	10'	30"-34"	\$2,300.00
1000-4175-9L/R	10'	35"-39"	\$2,300.00
1000-4200-9L/R	10'	40"-44"	\$2,300.00
1000-4225-9L/R	10'	45"-51"	\$2,300.00
1000-4250-9L/R	10'	52"-54"	\$2,300.00

40" Header Height - 230 V.A.C.

Part No.	Cab Height	S/S	CAD Price
1000-4125-10L/R	10'	28"-29"	\$2,300.00
1000-4150-10L/R	10'	30"-34"	\$2,300.00
1000-4175-10L/R	10'	35"-39"	\$2,300.00
1000-4200-10L/R	10'	40"-44"	\$2,300.00
1000-4225-10L/R	10'	45"-51"	\$2,300.00
1000-4250-10L/R	10'	52"-54"	\$2,300.00

Header Height - CUSTOM

Part No.	Cab Height	S/S	CAD Price
1000-4000*	Custom	28"-200"	\$2,232.00

1000 (Two Speed) - Open Loop

16" Header Height - 120 V.A.C.

Part No.	Cab Height	2/SP	CAD Price
1000-4275-1L/R	8'	28"-29"	\$2,300.00
1000-4300-1L/R	8'	30"-34"	\$2,300.00
1000-4325-1L/R	8'	35"-39"	\$2,300.00
1000-4350-1L/R	8'	40"-44"	\$2,300.00
1000-4375-1L/R	8'	45"-51"	\$2,300.00
1000-4400-1L/R	8'	52"-54"	\$2,300.00

16" Header Height - 230 V.A.C.

Part No.	Cab Height	2/SP	CAD Price
1000-4275-2L/R	8'	28"-29"	\$2,300.00
1000-4300-2L/R	8'	30"-34"	\$2,300.00
1000-4325-2L/R	8'	35"-39"	\$2,300.00
1000-4350-2L/R	8'	40"-44"	\$2,300.00
1000-4375-2L/R	8'	45"-51"	\$2,300.00
1000-4400-2L/R	8'	52"-54"	\$2,300.00

22" Header Height - 120 V.A.C.

Part No.	Cab Height	2/SP	CAD Price
1000-4275-3L/R	8' 6"	28"-29"	\$2,300.00
1000-4300-3L/R	8' 6"	30"-34"	\$2,300.00
1000-4325-3L/R	8' 6"	35"-39"	\$2,300.00
1000-4350-3L/R	8' 6"	40"-44"	\$2,300.00
1000-4375-3L/R	8' 6"	45"-51"	\$2,300.00
1000-4400-3L/R	8' 6"	52"-54"	\$2,300.00

22" Header Height - 230 V.A.C.

Part No.	Cab Height	2/SP	CAD Price
1000-4275-4L/R	8' 6"	28"-29"	\$2,300.00
1000-4300-4L/R	8' 6"	30"-34"	\$2,300.00
1000-4325-4L/R	8' 6"	35"-39"	\$2,300.00
1000-4350-4L/R	8' 6"	40"-44"	\$2,300.00
1000-4375-4L/R	8' 6"	45"-51"	\$2,300.00
1000-4400-4L/R	8' 6"	52"-54"	\$2,300.00

DOOR EQUIPMENT

Door Operator Assemblies

Door Operator Harmonic (Heavy Duty)

1000 (Two Speed) - Open Loop

28" Header Height - 120 V.A.C.

Part No.	Cab Height	2/SP	CAD Price
1000-4275-5L/R	9'	28"-29"	\$2,300.00
1000-4300-5L/R	9'	30"-34"	\$2,300.00
1000-4325-5L/R	9'	35"-39"	\$2,300.00
1000-4350-5L/R	9'	40"-44"	\$2,300.00
1000-4375-5L/R	9'	45"-51"	\$2,300.00
1000-4400-5L/R	9'	52"-54"	\$2,300.00

28" Header Height - 230 V.A.C.

Part No.	Cab Height	2/SP	CAD Price
1000-4275-6L/R	9'	28"-29"	\$2,300.00
1000-4300-6L/R	9'	30"-34"	\$2,300.00
1000-4325-6L/R	9'	35"-39"	\$2,300.00
1000-4350-6L/R	9'	40"-44"	\$2,300.00
1000-4375-6L/R	9'	45"-51"	\$2,300.00
1000-4400-6L/R	9'	52"-54"	\$2,300.00

34" Header Height - 120 V.A.C.

Part No.	Cab Height	2/SP	CAD Price
1000-4275-7L/R	9' 6"	28"-29"	\$2,300.00
1000-4300-7L/R	9' 6"	30"-34"	\$2,300.00
1000-4325-7L/R	9' 6"	35"-39"	\$2,300.00
1000-4350-7L/R	9' 6"	40"-44"	\$2,300.00
1000-4375-7L/R	9' 6"	45"-51"	\$2,300.00
1000-4400-7L/R	9' 6"	52"-54"	\$2,300.00

34" Header Height - 230 V.A.C.

Part No.	Cab Height	2/SP	CAD Price
1000-4275-8L/R	9' 6"	28"-29"	\$2,300.00
1000-4300-8L/R	9' 6"	30"-34"	\$2,300.00
1000-4325-8L/R	9' 6"	35"-39"	\$2,300.00
1000-4350-8L/R	9' 6"	40"-44"	\$2,300.00
1000-4375-8L/R	9' 6"	45"-51"	\$2,300.00
1000-4400-8L/R	9' 6"	52"-54"	\$2,300.00

40" Header Height - 120 V.A.C.

Part No.	Cab Height	2/SP	CAD Price
1000-4275-9L/R	10'	28"-29"	\$2,300.00
1000-4300-9L/R	10'	30"-34"	\$2,300.00
1000-4325-9L/R	10'	35"-39"	\$2,300.00
1000-4350-9L/R	10'	40"-44"	\$2,300.00
1000-4375-9L/R	10'	45"-51"	\$2,300.00
1000-4400-9L/R	10'	52"-54"	\$2,300.00

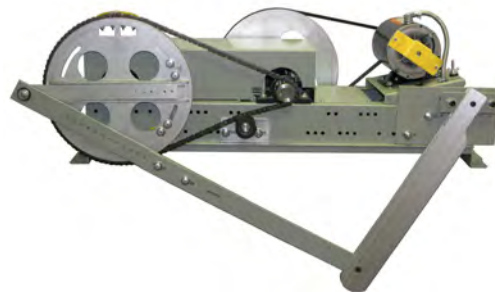
40" Header Height - 230 V.A.C.

Part No.	Cab Height	2/SP	CAD Price
1000-4275-10L/R	10'	28"-29"	\$2,300.00
1000-4300-10L/R	10'	30"-34"	\$2,300.00
1000-4325-10L/R	10'	35"-39"	\$2,300.00
1000-4350-10L/R	10'	40"-44"	\$2,300.00
1000-4375-10L/R	10'	45"-51"	\$2,300.00
1000-4400-10L/R	10'	52"-54"	\$2,300.00

Header Height - CUSTOM

Part No.	Cab Height	2/SP	CAD Price
1000-4002*	Custom	28"-200"	\$2,300.00

1000 (Center Parting)



16" Header Height - 120 V.A.C.

Part No.	Cab Height	C/P	CAD Price
1000-3000-1L/R	8'	29"-33"	\$2,500.00
1000-3025-1L/R	8'	34"-39"	\$2,500.00
1000-3050-1L/R	8'	40"-44"	\$2,500.00
1000-3075-1L/R	8'	45"-49"	\$2,500.00
1000-3100-1L/R	8'	50"-54"	\$2,500.00

16" Header Height - 230 V.A.C.

Part No.	Cab Height	C/P	CAD Price
1000-3000-2L/R	8'	29"-33"	\$2,500.00
1000-3025-2L/R	8'	34"-39"	\$2,500.00
1000-3050-2L/R	8'	40"-44"	\$2,500.00
1000-3075-2L/R	8'	45"-49"	\$2,500.00
1000-3100-2L/R	8'	50"-54"	\$2,500.00

DOOR EQUIPMENT

Door Operator Assemblies

Door Operator Harmonic (Heavy Duty)

1000 (Center Parting)

22" Header Height - 120 V.A.C.

Part No.	Cab Height	C/P	CAD Price
1000-3000-3L/R	8' 6"	29"-33"	\$2,500.00
1000-3025-3L/R	8' 6"	34"-39"	\$2,500.00
1000-3050-3L/R	8' 6"	40"-44"	\$2,500.00
1000-3075-3L/R	8' 6"	45"-49"	\$2,500.00
1000-3100-3L/R	8' 6"	50"-54"	\$2,500.00

22" Header Height - 230 V.A.C.

Part No.	Cab Height	C/P	CAD Price
1000-3000-4L/R	8' 6"	29"-33"	\$2,500.00
1000-3025-4L/R	8' 6"	34"-39"	\$2,500.00
1000-3050-4L/R	8' 6"	40"-44"	\$2,500.00
1000-3075-4L/R	8' 6"	45"-49"	\$2,500.00
1000-3100-4L/R	8' 6"	50"-54"	\$2,500.00

28" Header Height - 120 V.A.C.

Part No.	Cab Height	C/P	CAD Price
1000-3000-5L/R	9'	29"-33"	\$2,500.00
1000-3025-5L/R	9'	34"-39"	\$2,500.00
1000-3050-5L/R	9'	40"-44"	\$2,500.00
1000-3075-5L/R	9'	45"-49"	\$2,500.00
1000-3100-5L/R	9'	50"-54"	\$2,500.00

28" Header Height - 230 V.A.C.

Part No.	Cab Height	C/P	CAD Price
1000-3000-6L/R	9'	29"-33"	\$2,500.00
1000-3025-6L/R	9'	34"-39"	\$2,500.00
1000-3050-6L/R	9'	40"-44"	\$2,500.00
1000-3075-6L/R	9'	45"-49"	\$2,500.00
1000-3100-6L/R	9'	50"-54"	\$2,500.00

34" Header Height - 120 V.A.C.

Part No.	Cab Height	C/P	CAD Price
1000-3000-7L/R	9' 6"	29"-33"	\$2,500.00
1000-3025-7L/R	9' 6"	34"-39"	\$2,500.00
1000-3050-7L/R	9' 6"	40"-44"	\$2,500.00
1000-3075-7L/R	9' 6"	45"-49"	\$2,500.00
1000-3100-7L/R	9' 6"	50"-54"	\$2,500.00

34" Header Height - 230 V.A.C.

Part No.	Cab Height	C/P	CAD Price
1000-3000-8L/R	9' 6"	29"-33"	\$2,500.00
1000-3025-8L/R	9' 6"	34"-39"	\$2,500.00
1000-3050-8L/R	9' 6"	40"-44"	\$2,500.00
1000-3075-8L/R	9' 6"	45"-49"	\$2,500.00
1000-3100-8L/R	9' 6"	50"-54"	\$2,500.00

40" Header Height - 120 V.A.C.

Part No.	Cab Height	C/P	CAD Price
1000-3000-9L/R	10'	29"-33"	\$2,500.00
1000-3025-9L/R	10'	34"-39"	\$2,500.00
1000-3050-9L/R	10'	40"-44"	\$2,500.00
1000-3075-9L/R	10'	45"-49"	\$2,500.00
1000-3100-9L/R	10'	50"-54"	\$2,500.00

40" Header Height - 230 V.A.C.

Part No.	Cab Height	C/P	CAD Price
1000-3000-10L/R	10'	29"-33"	\$2,500.00
1000-3025-10L/R	10'	34"-39"	\$2,500.00
1000-3050-10L/R	10'	40"-44"	\$2,500.00
1000-3075-10L/R	10'	45"-49"	\$2,500.00
1000-3100-10L/R	10'	50"-54"	\$2,500.00

Header Height - CUSTOM

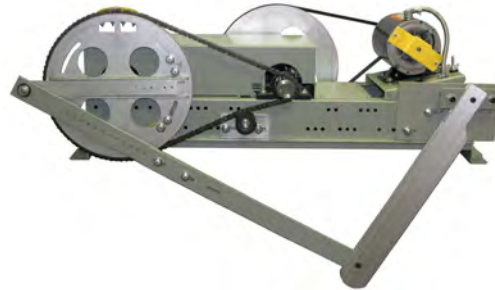
Part No.	Cab Height	C/P	CAD Price
1000-3000*	Custom	29"-200"	\$2,500.00

DOOR EQUIPMENT

Door Operator Assemblies

Door Operator Harmonic (Heavy Duty)

MOVFE-2500 (Single Speed)



16" Header Height - 120 V.A.C.

Part No.	Cab Height	S/S	CAD Price
2500-4125-1L/R	8'	28"-29"	\$3,560.00
2500-4150-1L/R	8'	30"-34"	\$3,560.00
2500-4175-1L/R	8'	35"-39"	\$3,560.00
2500-4200-1L/R	8'	40"-44"	\$3,560.00
2500-4225-1L/R	8'	45"-51"	\$3,560.00
2500-4250-1L/R	8'	52"-54"	\$3,560.00

16" Header Height - 230 V.A.C.

Part No.	Cab Height	S/S	CAD Price
2500-4125-2L/R	8'	28"-29"	\$3,460.00
2500-4150-2L/R	8'	30"-34"	\$3,460.00
2500-4175-2L/R	8'	35"-39"	\$3,460.00
2500-4200-2L/R	8'	40"-44"	\$3,460.00
2500-4225-2L/R	8'	45"-51"	\$3,460.00
2500-4250-2L/R	8'	52"-54"	\$3,460.00

22" Header Height - 120 V.A.C.

Part No.	Cab Height	S/S	CAD Price
2500-4125-3L/R	8' 6"	28"-29"	\$3,560.00
2500-4150-3L/R	8' 6"	30"-34"	\$3,560.00
2500-4175-3L/R	8' 6"	35"-39"	\$3,560.00
2500-4200-3L/R	8' 6"	40"-44"	\$3,560.00
2500-4225-3L/R	8' 6"	45"-51"	\$3,560.00
2500-4250-3L/R	8' 6"	52"-54"	\$3,560.00

22" Header Height - 230 V.A.C.

Part No.	Cab Height	S/S	CAD Price
2500-4125-4L/R	8' 6"	28"-29"	\$3,460.00
2500-4150-4L/R	8' 6"	30"-34"	\$3,460.00
2500-4175-4L/R	8' 6"	35"-39"	\$3,460.00
2500-4200-4L/R	8' 6"	40"-44"	\$3,460.00
2500-4225-4L/R	8' 6"	45"-51"	\$3,460.00
2500-4250-4L/R	8' 6"	52"-54"	\$3,460.00

28" Header Height - 120 V.A.C.

Part No.	Cab Height	S/S	CAD Price
2500-4125-5L/R	9'	28"-29"	\$3,560.00
2500-4150-5L/R	9'	30"-34"	\$3,560.00
2500-4175-5L/R	9'	35"-39"	\$3,560.00
2500-4200-5L/R	9'	40"-44"	\$3,560.00
2500-4225-5L/R	9'	45"-51"	\$3,560.00
2500-4250-5L/R	9'	52"-54"	\$3,560.00

28" Header Height - 230 V.A.C.

Part No.	Cab Height	S/S	CAD Price
2500-4125-6L/R	9'	28"-29"	\$3,460.00
2500-4150-6L/R	9'	30"-34"	\$3,460.00
2500-4175-6L/R	9'	35"-39"	\$3,460.00
2500-4200-6L/R	9'	40"-44"	\$3,460.00
2500-4225-6L/R	9'	45"-51"	\$3,460.00
2500-4250-6L/R	9'	52"-54"	\$3,460.00

34" Header Height - 120 V.A.C.

Part No.	Cab Height	S/S	CAD Price
2500-4125-7L/R	9' 6"	28"-29"	\$3,560.00
2500-4150-7L/R	9' 6"	30"-34"	\$3,560.00
2500-4175-7L/R	9' 6"	35"-39"	\$3,560.00
2500-4200-7L/R	9' 6"	40"-44"	\$3,560.00
2500-4225-7L/R	9' 6"	45"-51"	\$3,560.00
2500-4250-7L/R	9' 6"	52"-54"	\$3,560.00

34" Header Height - 230 V.A.C.

Part No.	Cab Height	S/S	CAD Price
2500-4125-8L/R	9' 6"	28"-29"	\$3,460.00
2500-4150-8L/R	9' 6"	30"-34"	\$3,460.00
2500-4175-8L/R	9' 6"	35"-39"	\$3,460.00
2500-4200-8L/R	9' 6"	40"-44"	\$3,460.00
2500-4225-8L/R	9' 6"	45"-51"	\$3,460.00
2500-4250-8L/R	9' 6"	52"-54"	\$3,460.00

GAL Canada
Operator

DOOR EQUIPMENT

Door Operator Assemblies

Door Operator Harmonic (Heavy Duty)

MOVFE-2500 (Single Speed)

40" Header Height - 120 V.A.C.

Part No.	Cab Height	S/S	CAD Price
2500-4125-9L/R	10'	28"-29"	\$3,560.00
2500-4150-9L/R	10'	30"-34"	\$3,560.00
2500-4175-9L/R	10'	35"-39"	\$3,560.00
2500-4200-9L/R	10'	40"-44"	\$3,560.00
2500-4225-9L/R	10'	45"-51"	\$3,560.00
2500-4250-9L/R	10'	52"-54"	\$3,560.00

40" Header Height - 230 V.A.C.

Part No.	Cab Height	S/S	CAD Price
2500-4125-10L/R	10'	28"-29"	\$3,460.00
2500-4150-10L/R	10'	30"-34"	\$3,460.00
2500-4175-10L/R	10'	35"-39"	\$3,460.00
2500-4200-10L/R	10'	40"-44"	\$3,460.00
2500-4225-10L/R	10'	45"-51"	\$3,460.00
2500-4250-10L/R	10'	52"-54"	\$3,460.00

Header Height - CUSTOM

Part No.	Cab Height	S/S	CAD Price
2500-4000*	Custom	28"-200"	\$2,400.00

MOVFE-2500 (Two Speed) - Close Loop

16" Header Height - 120 V.A.C.

Part No.	Cab Height	2/SP	CAD Price
2500-4275-1L/R	8'	28"-29"	\$3,560.00
2500-4300-1L/R	8'	30"-34"	\$3,560.00
2500-4325-1L/R	8'	35"-39"	\$3,560.00
2500-4350-1L/R	8'	40"-44"	\$3,560.00
2500-4375-1L/R	8'	45"-51"	\$3,560.00
2500-4400-1L/R	8'	52"-54"	\$3,560.00

16" Header Height - 230 V.A.C.

Part No.	Cab Height	2/SP	CAD Price
2500-4275-2L/R	8'	28"-29"	\$3,460.00
2500-4300-2L/R	8'	30"-34"	\$3,460.00
2500-4325-2L/R	8'	35"-39"	\$3,460.00
2500-4350-2L/R	8'	40"-44"	\$3,460.00
2500-4375-2L/R	8'	45"-51"	\$3,460.00
2500-4400-2L/R	8'	52"-54"	\$3,460.00

22" Header Height - 120 V.A.C.

Part No.	Cab Height	2/SP	CAD Price
2500-4275-3L/R	8' 6"	28"-29"	\$3,560.00
2500-4300-3L/R	8' 6"	30"-34"	\$3,560.00
2500-4325-3L/R	8' 6"	35"-39"	\$3,560.00
2500-4350-3L/R	8' 6"	40"-44"	\$3,560.00
2500-4375-3L/R	8' 6"	45"-51"	\$3,560.00
2500-4400-3L/R	8' 6"	52"-54"	\$3,560.00

22" Header Height - 230 V.A.C.

Part No.	Cab Height	2/SP	CAD Price
2500-4275-4L/R	8' 6"	28"-29"	\$3,460.00
2500-4300-4L/R	8' 6"	30"-34"	\$3,460.00
2500-4325-4L/R	8' 6"	35"-39"	\$3,460.00
2500-4350-4L/R	8' 6"	40"-44"	\$3,460.00
2500-4375-4L/R	8' 6"	45"-51"	\$3,460.00
2500-4400-4L/R	8' 6"	52"-54"	\$3,460.00

28" Header Height - 120 V.A.C.

Part No.	Cab Height	2/SP	CAD Price
2500-4275-5L/R	9'	28"-29"	\$3,560.00
2500-4300-5L/R	9'	30"-34"	\$3,560.00
2500-4325-5L/R	9'	35"-39"	\$3,560.00
2500-4350-5L/R	9'	40"-44"	\$3,560.00
2500-4375-5L/R	9'	45"-51"	\$3,560.00
2500-4400-5L/R	9'	52"-54"	\$3,560.00

28" Header Height - 230 V.A.C.

Part No.	Cab Height	2/SP	CAD Price
2500-4275-6L/R	9'	28"-29"	\$3,460.00
2500-4300-6L/R	9'	30"-34"	\$3,460.00
2500-4325-6L/R	9'	35"-39"	\$3,460.00
2500-4350-6L/R	9'	40"-44"	\$3,460.00
2500-4375-6L/R	9'	45"-51"	\$3,460.00
2500-4400-6L/R	9'	52"-54"	\$3,460.00

34" Header Height - 120 V.A.C.

Part No.	Cab Height	2/SP	CAD Price
2500-4275-7L/R	9' 6"	28"-29"	\$3,560.00
2500-4300-7L/R	9' 6"	30"-34"	\$3,560.00
2500-4325-7L/R	9' 6"	35"-39"	\$3,560.00
2500-4350-7L/R	9' 6"	40"-44"	\$3,560.00
2500-4375-7L/R	9' 6"	45"-51"	\$3,560.00
2500-4400-7L/R	9' 6"	52"-54"	\$3,560.00

34" Header Height - 230 V.A.C.

Part No.	Cab Height	2/SP	CAD Price
2500-4275-8L/R	9' 6"	28"-29"	\$3,460.00
2500-4300-8L/R	9' 6"	30"-34"	\$3,460.00
2500-4325-8L/R	9' 6"	35"-39"	\$3,460.00
2500-4350-8L/R	9' 6"	40"-44"	\$3,460.00
2500-4375-8L/R	9' 6"	45"-51"	\$3,460.00
2500-4400-8L/R	9' 6"	52"-54"	\$3,460.00

DOOR EQUIPMENT

Door Operator Assemblies

Door Operator Harmonic (Heavy Duty)

MOVFE-2500 (Two Speed) - Close Loop

40" Header Height - 120 V.A.C.

Part No.	Cab Height	2/SP	CAD Price
2500-4275-9L/R	10'	28"-29"	\$3,560.00
2500-4300-9L/R	10'	30"-34"	\$3,560.00
2500-4325-9L/R	10'	35"-39"	\$3,560.00
2500-4350-9L/R	10'	40"-44"	\$3,560.00
2500-4375-9L/R	10'	45"-51"	\$3,560.00
2500-4400-9L/R	10'	52"-54"	\$3,560.00

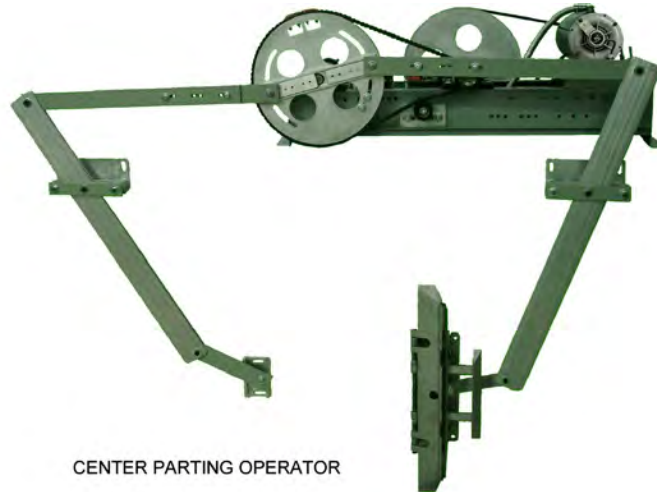
40" Header Height - 230 V.A.C.

Part No.	Cab Height	2/SP	CAD Price
2500-4275-10L/R	10'	28"-29"	\$3,460.00
2500-4300-10L/R	10'	30"-34"	\$3,460.00
2500-4325-10L/R	10'	35"-39"	\$3,460.00
2500-4350-10L/R	10'	40"-44"	\$3,460.00
2500-4375-10L/R	10'	45"-51"	\$3,460.00
2500-4400-10L/R	10'	52"-54"	\$3,460.00

Header Height - CUSTOM

Part No.	Cab Height	2/SP	CAD Price
2500-4002*	Custom	28"-200"	\$2,400.00

MOVFE-2500 (Center Parting)



CENTER PARTING OPERATOR

16" Header Height - 120 V.A.C.

Part No.	Cab Height	C/P	CAD Price
2500-3000-1L/R	8'	29"-33"	\$3,750.00
2500-3025-1L/R	8'	34"-39"	\$3,750.00
2500-3050-1L/R	8'	40"-44"	\$3,750.00
2500-3075-1L/R	8'	45"-49"	\$3,750.00
2500-3100-1L/R	8'	50"-54"	\$3,750.00

16" Header Height - 230 V.A.C.

Part No.	Cab Height	C/P	CAD Price
2500-3000-2L/R	8'	29"-33"	\$3,650.00
2500-3025-2L/R	8'	34"-39"	\$3,650.00
2500-3050-2L/R	8'	40"-44"	\$3,650.00
2500-3075-2L/R	8'	45"-49"	\$3,650.00
2500-3100-2L/R	8'	50"-54"	\$3,650.00

22" Header Height - 120 V.A.C.

Part No.	Cab Height	C/P	CAD Price
2500-3000-3L/R	8' 6"	29"-33"	\$3,750.00
2500-3025-3L/R	8' 6"	34"-39"	\$3,750.00
2500-3050-3L/R	8' 6"	40"-44"	\$3,750.00
2500-3075-3L/R	8' 6"	45"-49"	\$3,750.00
2500-3100-3L/R	8' 6"	50"-54"	\$3,750.00

22" Header Height - 230 V.A.C.

Part No.	Cab Height	C/P	CAD Price
2500-3000-4L/R	8' 6"	29"-33"	\$3,650.00
2500-3025-4L/R	8' 6"	34"-39"	\$3,650.00
2500-3050-4L/R	8' 6"	40"-44"	\$3,650.00
2500-3075-4L/R	8' 6"	45"-49"	\$3,650.00
2500-3100-4L/R	8' 6"	50"-54"	\$3,650.00

GAL Canada
Operator

DOOR EQUIPMENT

Door Operator Assemblies

Door Operator Harmonic (Heavy Duty)

MOVFE-2500 (Center Parting)

28" Header Height - 120 V.A.C.

Part No.	Cab Height	C/P	CAD Price
2500-3000-5L/R	9'	29"-33"	\$3,750.00
2500-3025-5L/R	9'	34"-39"	\$3,750.00
2500-3050-5L/R	9'	40"-44"	\$3,750.00
2500-3075-5L/R	9'	45"-49"	\$3,750.00
2500-3100-5L/R	9'	50"-54"	\$3,750.00

28" Header Height - 230 V.A.C.

Part No.	Cab Height	C/P	CAD Price
2500-3000-6L/R	9'	29"-33"	\$3,650.00
2500-3025-6L/R	9'	34"-39"	\$3,650.00
2500-3050-6L/R	9'	40"-44"	\$3,650.00
2500-3075-6L/R	9'	45"-49"	\$3,650.00
2500-3100-6L/R	9'	50"-54"	\$3,650.00

34" Header Height - 120 V.A.C.

Part No.	Cab Height	C/P	CAD Price
2500-3000-7L/R	9' 6"	29"-33"	\$3,750.00
2500-3025-7L/R	9' 6"	34"-39"	\$3,750.00
2500-3050-7L/R	9' 6"	40"-44"	\$3,750.00
2500-3075-7L/R	9' 6"	45"-49"	\$3,750.00
2500-3100-7L/R	9' 6"	50"-54"	\$3,750.00

34" Header Height - 230 V.A.C.

Part No.	Cab Height	C/P	CAD Price
2500-3000-8L/R	9' 6"	29"-33"	\$3,650.00
2500-3025-8L/R	9' 6"	34"-39"	\$3,650.00
2500-3050-8L/R	9' 6"	40"-44"	\$3,650.00
2500-3075-8L/R	9' 6"	45"-49"	\$3,650.00
2500-3100-8L/R	9' 6"	50"-54"	\$3,650.00

40" Header Height - 120 V.A.C.

Part No.	Cab Height	C/P	CAD Price
2500-3000-9L/R	10'	29"-33"	\$3,750.00
2500-3025-9L/R	10'	34"-39"	\$3,750.00
2500-3050-9L/R	10'	40"-44"	\$3,750.00
2500-3075-9L/R	10'	45"-49"	\$3,750.00
2500-3100-9L/R	10'	50"-54"	\$3,750.00

40" Header Height - 230 V.A.C.

Part No.	Cab Height	C/P	CAD Price
2500-3000-10L/R	10'	29"-33"	\$3,650.00
2500-3025-10L/R	10'	34"-39"	\$3,650.00
2500-3050-10L/R	10'	40"-44"	\$3,650.00
2500-3075-10L/R	10'	45"-49"	\$3,650.00
2500-3100-10L/R	10'	50"-54"	\$3,650.00

Header Height - CUSTOM

Part No.	Cab Height	C/P	CAD Price
2500-3000*	Custom	29"-200"	\$3,650.00

DOOR EQUIPMENT

Door Operator Assemblies

Door Operator Linear (Heavy Duty)

MOVFE-2500 (Single Speed)



16" Header Height - 120 V.A.C.

Part No.	Cab Height	S/S	CAD Price
2500-6000-1L/R	8'	30"-30"	\$2,400.00
2500-6025-1L/R	8'	31"-33"	\$2,400.00
2500-6050-1L/R	8'	34"-36"	\$2,400.00
2500-6075-1L/R	8'	37"-39"	\$2,400.00
2500-6100-1L/R	8'	40"-42"	\$2,400.00
2500-6125-1L/R	8'	43"-45"	\$2,400.00
2500-6150-1L/R	8'	46"-48"	\$2,400.00
2500-6175-1L/R	8'	49"-51"	\$2,400.00
2500-6200-1L/R	8'	52"-54"	\$2,400.00
2500-6225-1L/R	8'	55"-57"	\$2,400.00
2500-6250-1L/R	8'	58"-60"	\$2,400.00

16" Header Height - 230 V.A.C.

Part No.	Cab Height	S/S	CAD Price
2500-6000-2L/R	8'	30"-30"	\$2,300.00
2500-6025-2L/R	8'	31"-33"	\$2,300.00
2500-6050-2L/R	8'	34"-36"	\$2,300.00
2500-6075-2L/R	8'	37"-39"	\$2,300.00
2500-6100-2L/R	8'	40"-42"	\$2,300.00
2500-6125-2L/R	8'	43"-45"	\$2,300.00
2500-6150-2L/R	8'	46"-48"	\$2,300.00
2500-6175-2L/R	8'	49"-51"	\$2,300.00
2500-6200-2L/R	8'	52"-54"	\$2,300.00
2500-6225-2L/R	8'	55"-57"	\$2,300.00
2500-6250-2L/R	8'	58"-60"	\$2,300.00

22" Header Height - 120 V.A.C.

Part No.	Cab Height	S/S	CAD Price
2500-6000-3L/R	8' 6"	30"-30"	\$2,400.00
2500-6025-3L/R	8' 6"	31"-33"	\$2,400.00
2500-6050-3L/R	8' 6"	34"-36"	\$2,400.00
2500-6075-3L/R	8' 6"	37"-39"	\$2,400.00
2500-6100-3L/R	8' 6"	40"-42"	\$2,400.00
2500-6125-3L/R	8' 6"	43"-45"	\$2,400.00
2500-6150-3L/R	8' 6"	46"-48"	\$2,400.00
2500-6175-3L/R	8' 6"	49"-51"	\$2,400.00
2500-6200-3L/R	8' 6"	52"-54"	\$2,400.00
2500-6225-3L/R	8' 6"	55"-57"	\$2,400.00
2500-6250-3L/R	8' 6"	58"-60"	\$2,400.00

22" Header Height - 230 V.A.C.

Part No.	Cab Height	S/S	CAD Price
2500-6000-4L/R	8' 6"	30"-30"	\$2,300.00
2500-6025-4L/R	8' 6"	31"-33"	\$2,300.00
2500-6050-4L/R	8' 6"	34"-36"	\$2,300.00
2500-6075-4L/R	8' 6"	37"-39"	\$2,300.00
2500-6100-4L/R	8' 6"	40"-42"	\$2,300.00
2500-6125-4L/R	8' 6"	43"-45"	\$2,300.00
2500-6150-4L/R	8' 6"	46"-48"	\$2,300.00
2500-6175-4L/R	8' 6"	49"-51"	\$2,300.00
2500-6200-4L/R	8' 6"	52"-54"	\$2,300.00
2500-6225-4L/R	8' 6"	55"-57"	\$2,300.00
2500-6250-4L/R	8' 6"	58"-60"	\$2,300.00

28" Header Height - 120 V.A.C.

Part No.	Cab Height	S/S	CAD Price
2500-6000-5L/R	9'	30"-30"	\$2,400.00
2500-6025-5L/R	9'	31"-33"	\$2,400.00
2500-6050-5L/R	9'	34"-36"	\$2,400.00
2500-6075-5L/R	9'	37"-39"	\$2,400.00
2500-6100-5L/R	9'	40"-42"	\$2,400.00
2500-6125-5L/R	9'	43"-45"	\$2,400.00
2500-6150-5L/R	9'	46"-48"	\$2,400.00
2500-6175-5L/R	9'	49"-51"	\$2,400.00
2500-6200-5L/R	9'	52"-54"	\$2,400.00
2500-6225-5L/R	9'	55"-57"	\$2,400.00
2500-6250-5L/R	9'	58"-60"	\$2,400.00

28" Header Height - 230 V.A.C.

Part No.	Cab Height	S/S	CAD Price
2500-6000-6L/R	9'	30"-30"	\$2,300.00
2500-6025-6L/R	9'	31"-33"	\$2,300.00
2500-6050-6L/R	9'	34"-36"	\$2,300.00
2500-6075-6L/R	9'	37"-39"	\$2,300.00
2500-6100-6L/R	9'	40"-42"	\$2,300.00
2500-6125-6L/R	9'	43"-45"	\$2,300.00
2500-6150-6L/R	9'	46"-48"	\$2,300.00
2500-6175-6L/R	9'	49"-51"	\$2,300.00
2500-6200-6L/R	9'	52"-54"	\$2,300.00
2500-6225-6L/R	9'	55"-57"	\$2,300.00
2500-6250-6L/R	9'	58"-60"	\$2,300.00

GAL Canada
Operator

DOOR EQUIPMENT

Door Operator Assemblies

Door Operator Linear (Heavy Duty)

MOVFE-2500 (Single Speed)

34" Header Height - 120 V.A.C.

Part No.	Cab Height	S/S	CAD Price
2500-6000-7L/R	9' 6"	30"-30"	\$2,400.00
2500-6025-7L/R	9' 6"	31"-33"	\$2,400.00
2500-6050-7L/R	9' 6"	34"-36"	\$2,400.00
2500-6075-7L/R	9' 6"	37"-39"	\$2,400.00
2500-6100-7L/R	9' 6"	40"-42"	\$2,400.00
2500-6125-7L/R	9' 6"	43"-45"	\$2,400.00
2500-6150-7L/R	9' 6"	46"-48"	\$2,400.00
2500-6175-7L/R	9' 6"	49"-51"	\$2,400.00
2500-6200-7L/R	9' 6"	52"-54"	\$2,400.00
2500-6225-7L/R	9' 6"	55"-57"	\$2,400.00
2500-6250-7L/R	9' 6"	58"-60"	\$2,400.00

34" Header Height - 230 V.A.C.

Part No.	Cab Height	S/S	CAD Price
2500-6000-8L/R	9' 6"	30"-30"	\$2,300.00
2500-6025-8L/R	9' 6"	31"-33"	\$2,300.00
2500-6050-8L/R	9' 6"	34"-36"	\$2,300.00
2500-6075-8L/R	9' 6"	37"-39"	\$2,300.00
2500-6100-8L/R	9' 6"	40"-42"	\$2,300.00
2500-6125-8L/R	9' 6"	43"-45"	\$2,300.00
2500-6150-8L/R	9' 6"	46"-48"	\$2,300.00
2500-6175-8L/R	9' 6"	49"-51"	\$2,300.00
2500-6200-8L/R	9' 6"	52"-54"	\$2,300.00
2500-6225-8L/R	9' 6"	55"-57"	\$2,300.00
2500-6250-8L/R	9' 6"	58"-60"	\$2,300.00

40" Header Height - 120 V.A.C.

Part No.	Cab Height	S/S	CAD Price
2500-6000-9L/R	10'	30"-30"	\$2,400.00
2500-6025-9L/R	10'	31"-33"	\$2,400.00
2500-6050-9L/R	10'	34"-36"	\$2,400.00
2500-6075-9L/R	10'	37"-39"	\$2,400.00
2500-6100-9L/R	10'	40"-42"	\$2,400.00
2500-6125-9L/R	10'	43"-45"	\$2,400.00
2500-6150-9L/R	10'	46"-48"	\$2,400.00
2500-6175-9L/R	10'	49"-51"	\$2,400.00
2500-6200-9L/R	10'	52"-54"	\$2,400.00
2500-6225-9L/R	10'	55"-57"	\$2,400.00
2500-6250-9L/R	10'	58"-60"	\$2,400.00

40" Header Height - 230 V.A.C.

Part No.	Cab Height	S/S	CAD Price
2500-6000-10L/R	10'	30"-30"	\$2,300.00
2500-6025-10L/R	10'	31"-33"	\$2,300.00
2500-6050-10L/R	10'	34"-36"	\$2,300.00
2500-6075-10L/R	10'	37"-39"	\$2,300.00
2500-6100-10L/R	10'	40"-42"	\$2,300.00
2500-6125-10L/R	10'	43"-45"	\$2,300.00
2500-6150-10L/R	10'	46"-48"	\$2,300.00
2500-6175-10L/R	10'	49"-51"	\$2,300.00
2500-6200-10L/R	10'	52"-54"	\$2,300.00
2500-6225-10L/R	10'	55"-57"	\$2,300.00
2500-6250-10L/R	10'	58"-60"	\$2,300.00

Header Height - CUSTOM

Part No.	Cab Height	S/S	CAD Price
2500-6000*	Custom	30"-200"	\$2,300.00

MOVFE-2500 (Two Speed) - Close Loop

16" Header Height - 120 V.A.C.

Part No.	Cab Height	2/SP	CAD Price
2500-7000-1L/R	8'	30"-30"	\$2,600.00
2500-7025-1L/R	8'	31"-32"	\$2,600.00
2500-7050-1L/R	8'	33"-34"	\$2,600.00
2500-7075-1L/R	8'	35"-36"	\$2,600.00
2500-7100-1L/R	8'	37"-38"	\$2,600.00
2500-7125-1L/R	8'	39"-40"	\$2,600.00
2500-7150-1L/R	8'	41"-42"	\$2,600.00
2500-7175-1L/R	8'	43"-44"	\$2,600.00
2500-7200-1L/R	8'	45"-46"	\$2,600.00
2500-7225-1L/R	8'	47"-48"	\$2,600.00
2500-7250-1L/R	8'	49"-52"	\$2,600.00
2500-7275-1L/R	8'	53"-56"	\$2,600.00
2500-7300-1L/R	8'	57"-60"	\$2,600.00
2500-7325-1L/R	8'	61"-64"	\$2,600.00
2500-7350-1L/R	8'	65"-68"	\$2,600.00
2500-7350-1L/R	8'	69"-72"	\$2,600.00

16" Header Height - 230 V.A.C.

Part No.	Cab Height	2/SP	CAD Price
2500-7000-2L/R	8'	30"-30"	\$2,500.00
2500-7025-2L/R	8'	31"-32"	\$2,500.00
2500-7050-2L/R	8'	33"-34"	\$2,500.00
2500-7075-2L/R	8'	35"-36"	\$2,500.00
2500-7100-2L/R	8'	37"-38"	\$2,500.00
2500-7125-2L/R	8'	39"-40"	\$2,500.00
2500-7150-2L/R	8'	41"-42"	\$2,500.00
2500-7175-2L/R	8'	43"-44"	\$2,500.00
2500-7200-2L/R	8'	45"-46"	\$2,500.00
2500-7225-2L/R	8'	47"-48"	\$2,500.00
2500-7250-2L/R	8'	49"-52"	\$2,500.00
2500-7275-2L/R	8'	53"-56"	\$2,500.00
2500-7300-2L/R	8'	57"-60"	\$2,500.00
2500-7325-2L/R	8'	61"-65"	\$2,500.00
2500-7350-2L/R	8'	65"-68"	\$2,500.00
2500-7350-2L/R	8'	69"-72"	\$2,500.00

DOOR EQUIPMENT

Door Operator Assemblies

Door Operator Linear (Heavy Duty)

MOVFE-2500 (Two Speed) - Close Loop

22" Header Height - 120 V.A.C.

Part No.	Cab Height	2/SP	CAD Price
2500-7000-3L/R	8' 6"	30"-30"	\$2,600.00
2500-7025-3L/R	8' 6"	31"-32"	\$2,600.00
2500-7050-3L/R	8' 6"	33"-34"	\$2,600.00
2500-7075-3L/R	8' 6"	35"-36"	\$2,600.00
2500-7100-3L/R	8' 6"	37"-38"	\$2,600.00
2500-7125-3L/R	8' 6"	39"-40"	\$2,600.00
2500-7150-3L/R	8' 6"	41"-42"	\$2,600.00
2500-7175-3L/R	8' 6"	43"-44"	\$2,600.00
2500-7200-3L/R	8' 6"	45"-46"	\$2,600.00
2500-7225-3L/R	8' 6"	47"-48"	\$2,600.00
2500-7250-3L/R	8' 6"	49"-52"	\$2,600.00
2500-7275-3L/R	8' 6"	53"-56"	\$2,600.00
2500-7300-3L/R	8' 6"	57"-60"	\$2,600.00
2500-7325-3L/R	8' 6"	61"-64"	\$2,600.00
2500-7350-3L/R	8' 6"	65"-68"	\$2,600.00
2500-7350-3L/R	8' 6"	69"-72"	\$2,600.00

22" Header Height - 230 V.A.C.

Part No.	Cab Height	2/SP	CAD Price
2500-7000-4L/R	8' 6"	30"-30"	\$2,500.00
2500-7025-4L/R	8' 6"	31"-32"	\$2,500.00
2500-7050-4L/R	8' 6"	33"-34"	\$2,500.00
2500-7075-4L/R	8' 6"	35"-36"	\$2,500.00
2500-7100-4L/R	8' 6"	37"-38"	\$2,500.00
2500-7125-4L/R	8' 6"	39"-40"	\$2,500.00
2500-7150-4L/R	8' 6"	41"-42"	\$2,500.00
2500-7175-4L/R	8' 6"	43"-44"	\$2,500.00
2500-7200-4L/R	8' 6"	45"-46"	\$2,500.00
2500-7225-4L/R	8' 6"	47"-48"	\$2,500.00
2500-7250-4L/R	8' 6"	49"-52"	\$2,500.00
2500-7275-4L/R	8' 6"	53"-56"	\$2,500.00
2500-7300-4L/R	8' 6"	57"-60"	\$2,500.00
2500-7325-4L/R	8' 6"	61"-64"	\$2,500.00
2500-7350-4L/R	8' 6"	65"-68"	\$2,500.00
2500-7350-4L/R	8' 6"	69"-72"	\$2,500.00

28" Header Height - 120 V.A.C.

Part No.	Cab Height	2/SP	CAD Price
2500-7000-5L/R	9'	30"-30"	\$2,600.00
2500-7025-5L/R	9'	31"-32"	\$2,600.00
2500-7050-5L/R	9'	33"-34"	\$2,600.00
2500-7075-5L/R	9'	35"-36"	\$2,600.00
2500-7100-5L/R	9'	37"-38"	\$2,600.00
2500-7125-5L/R	9'	39"-40"	\$2,600.00
2500-7150-5L/R	9'	41"-42"	\$2,600.00
2500-7175-5L/R	9'	43"-44"	\$2,600.00
2500-7200-5L/R	9'	45"-46"	\$2,600.00
2500-7225-5L/R	9'	47"-48"	\$2,600.00
2500-7250-5L/R	9'	49"-52"	\$2,600.00
2500-7275-5L/R	9'	53"-56"	\$2,600.00
2500-7300-5L/R	9'	57"-60"	\$2,600.00
2500-7325-5L/R	9'	61"-64"	\$2,600.00
2500-7350-5L/R	9'	65"-68"	\$2,600.00
2500-7350-5L/R	9'	69"-72"	\$2,600.00

28" Header Height - 230 V.A.C.

Part No.	Cab Height	2/SP	CAD Price
2500-7000-6L/R	9'	30"-30"	\$2,500.00
2500-7025-6L/R	9'	31"-32"	\$2,500.00
2500-7050-6L/R	9'	33"-34"	\$2,500.00
2500-7075-6L/R	9'	35"-36"	\$2,500.00
2500-7100-6L/R	9'	37"-38"	\$2,500.00
2500-7125-6L/R	9'	39"-40"	\$2,500.00
2500-7150-6L/R	9'	41"-42"	\$2,500.00
2500-7175-6L/R	9'	43"-44"	\$2,500.00
2500-7200-6L/R	9'	45"-46"	\$2,500.00
2500-7225-6L/R	9'	47"-48"	\$2,500.00
2500-7250-6L/R	9'	49"-52"	\$2,500.00
2500-7275-6L/R	9'	53"-56"	\$2,500.00
2500-7300-6L/R	9'	57"-60"	\$2,500.00
2500-7325-6L/R	9'	61"-64"	\$2,500.00
2500-7350-6L/R	9'	65"-68"	\$2,500.00
2500-7350-6L/R	9'	69"-72"	\$2,500.00

DOOR EQUIPMENT

Door Operator Assemblies

Door Operator Linear (Heavy Duty)

MOVFE-2500 (Two Speed) - Close Loop

34" Header Height - 120 V.A.C.

Part No.	Cab Height	2/SP	CAD Price
2500-7000-7L/R	9' 6"	30"-30"	\$2,600.00
2500-7025-7L/R	9' 6"	31"-32"	\$2,600.00
2500-7050-7L/R	9' 6"	33"-34"	\$2,600.00
2500-7075-7L/R	9' 6"	35"-36"	\$2,600.00
2500-7100-7L/R	9' 6"	37"-38"	\$2,600.00
2500-7125-7L/R	9' 6"	39"-40"	\$2,600.00
2500-7150-7L/R	9' 6"	41"-42"	\$2,600.00
2500-7175-7L/R	9' 6"	43"-44"	\$2,600.00
2500-7200-7L/R	9' 6"	45"-46"	\$2,600.00
2500-7225-7L/R	9' 6"	47"-48"	\$2,600.00
2500-7250-7L/R	9' 6"	49"-52"	\$2,600.00
2500-7275-7L/R	9' 6"	53"-56"	\$2,600.00
2500-7300-7L/R	9' 6"	57"-60"	\$2,600.00
2500-7325-7L/R	9' 6"	61"-64"	\$2,600.00
2500-7350-7L/R	9' 6"	65"-68"	\$2,600.00
2500-7350-7L/R	9' 6"	69"-72"	\$2,600.00

34" Header Height - 230 V.A.C.

Part No.	Cab Height	2/SP	CAD Price
2500-7000-8L/R	9' 6"	30"-30"	\$2,500.00
2500-7025-8L/R	9' 6"	31"-32"	\$2,500.00
2500-7050-8L/R	9' 6"	33"-34"	\$2,500.00
2500-7075-8L/R	9' 6"	35"-36"	\$2,500.00
2500-7100-8L/R	9' 6"	37"-38"	\$2,500.00
2500-7125-8L/R	9' 6"	39"-40"	\$2,500.00
2500-7150-8L/R	9' 6"	41"-42"	\$2,500.00
2500-7175-8L/R	9' 6"	43"-44"	\$2,500.00
2500-7200-8L/R	9' 6"	45"-46"	\$2,500.00
2500-7225-8L/R	9' 6"	47"-48"	\$2,500.00
2500-7250-8L/R	9' 6"	49"-52"	\$2,500.00
2500-7275-8L/R	9' 6"	53"-56"	\$2,500.00
2500-7300-8L/R	9' 6"	57"-60"	\$2,500.00
2500-7325-8L/R	9' 6"	61"-64"	\$2,500.00
2500-7350-8L/R	9' 6"	65"-68"	\$2,500.00
2500-7350-8L/R	9' 6"	69"-72"	\$2,500.00

40" Header Height - 120 V.A.C.

Part No.	Cab Height	2/SP	CAD Price
2500-7000-9L/R	10'	30"-30"	\$2,600.00
2500-7025-9L/R	10'	31"-32"	\$2,600.00
2500-7050-9L/R	10'	33"-34"	\$2,600.00
2500-7075-9L/R	10'	35"-36"	\$2,600.00
2500-7100-9L/R	10'	37"-38"	\$2,600.00
2500-7125-9L/R	10'	39"-40"	\$2,600.00
2500-7150-9L/R	10'	41"-42"	\$2,600.00
2500-7175-9L/R	10'	43"-44"	\$2,600.00
2500-7200-9L/R	10'	45"-46"	\$2,600.00
2500-7225-9L/R	10'	47"-48"	\$2,600.00
2500-7250-9L/R	10'	49"-52"	\$2,600.00
2500-7275-9L/R	10'	53"-56"	\$2,600.00
2500-7300-9L/R	10'	57"-60"	\$2,600.00
2500-7325-9L/R	10'	61"-64"	\$2,600.00
2500-7350-9L/R	10'	65"-68"	\$2,600.00
2500-7350-9L/R	10'	69"-72"	\$2,600.00

40" Header Height - 230 V.A.C.

Part No.	Cab Height	2/SP	CAD Price
2500-7000-10L/R	10'	30"-30"	\$2,500.00
2500-7025-10L/R	10'	31"-32"	\$2,500.00
2500-7050-10L/R	10'	33"-34"	\$2,500.00
2500-7075-10L/R	10'	35"-36"	\$2,500.00
2500-7100-10L/R	10'	37"-38"	\$2,500.00
2500-7125-10L/R	10'	39"-40"	\$2,500.00
2500-7150-10L/R	10'	41"-42"	\$2,500.00
2500-7175-10L/R	10'	43"-44"	\$2,500.00
2500-7200-10L/R	10'	45"-46"	\$2,500.00
2500-7225-10L/R	10'	47"-48"	\$2,500.00
2500-7250-10L/R	10'	49"-52"	\$2,500.00
2500-7275-10L/R	10'	53"-56"	\$2,500.00
2500-7300-10L/R	10'	57"-60"	\$2,500.00
2500-7325-10L/R	10'	61"-64"	\$2,500.00
2500-7350-10L/R	10'	65"-68"	\$2,500.00
2500-7350-10L/R	10'	69"-72"	\$2,500.00

Header Height - CUSTOM

Part No.	Cab Height	2/SP	CAD Price
2500-7000*	Custom	30"-200"	\$2,500.00

DOOR EQUIPMENT

Door Operator Assemblies

Door Operator Linear (Heavy Duty)

MOVFE-2500 (Center Parting)



16" Header Height - 120 V.A.C.

Part No.	Cab Height	C/P	CAD Price
2500-5000-1L/R	8'	30"-32"	\$2,600.00
2500-5025-1L/R	8'	33"-35"	\$2,600.00
2500-5050-1L/R	8'	36"-38"	\$2,600.00
2500-5075-1L/R	8'	39"-41"	\$2,600.00
2500-5100-1L/R	8'	42"-50"	\$2,600.00
2500-5125-1L/R	8'	51"-53"	\$2,600.00
2500-5150-1L/R	8'	54"-56"	\$2,600.00
2500-5175-1L/R	8'	54"-56"	\$2,600.00
2500-5200-1L/R	8'	57"-59"	\$2,600.00
2500-5225-1L/R	8'	60"-62"	\$2,600.00

16" Header Height - 230 V.A.C.

Part No.	Cab Height	C/P	CAD Price
2500-5000-2L/R	8'	30"-32"	\$2,500.00
2500-5025-2L/R	8'	33"-35"	\$2,500.00
2500-5050-2L/R	8'	36"-38"	\$2,500.00
2500-5075-2L/R	8'	39"-41"	\$2,500.00
2500-5100-2L/R	8'	42"-50"	\$2,500.00
2500-5125-2L/R	8'	51"-53"	\$2,500.00
2500-5150-2L/R	8'	54"-56"	\$2,500.00
2500-5175-2L/R	8'	54"-56"	\$2,500.00
2500-5200-2L/R	8'	57"-59"	\$2,500.00
2500-5225-2L/R	8'	60"-62"	\$2,500.00

22" Header Height - 120 V.A.C.

Part No.	Cab Height	C/P	CAD Price
2500-5000-3L/R	8' 6"	30"-32"	\$2,600.00
2500-5025-3L/R	8' 6"	33"-35"	\$2,600.00
2500-5050-3L/R	8' 6"	36"-38"	\$2,600.00
2500-5075-3L/R	8' 6"	39"-41"	\$2,600.00
2500-5100-3L/R	8' 6"	42"-50"	\$2,600.00
2500-5125-3L/R	8' 6"	51"-53"	\$2,600.00
2500-5150-3L/R	8' 6"	54"-56"	\$2,600.00
2500-5175-3L/R	8' 6"	54"-56"	\$2,600.00
2500-5200-3L/R	8' 6"	57"-59"	\$2,600.00
2500-5225-3L/R	8' 6"	60"-62"	\$2,600.00

22" Header Height - 230 V.A.C.

Part No.	Cab Height	C/P	CAD Price
2500-5000-4L/R	8' 6"	30"-32"	\$2,500.00
2500-5025-4L/R	8' 6"	33"-35"	\$2,500.00
2500-5050-4L/R	8' 6"	36"-38"	\$2,500.00
2500-5075-4L/R	8' 6"	39"-41"	\$2,500.00
2500-5100-4L/R	8' 6"	42"-50"	\$2,500.00
2500-5125-4L/R	8' 6"	51"-53"	\$2,500.00
2500-5150-4L/R	8' 6"	54"-56"	\$2,500.00
2500-5175-4L/R	8' 6"	54"-56"	\$2,500.00
2500-5200-4L/R	8' 6"	57"-59"	\$2,500.00
2500-5225-4L/R	8' 6"	60"-62"	\$2,500.00

28" Header Height - 120 V.A.C.

Part No.	Cab Height	C/P	CAD Price
2500-5000-5L/R	9'	30"-32"	\$2,600.00
2500-5025-5L/R	9'	33"-35"	\$2,600.00
2500-5050-5L/R	9'	36"-38"	\$2,600.00
2500-5075-5L/R	9'	39"-41"	\$2,600.00
2500-5100-5L/R	9'	42"-50"	\$2,600.00
2500-5125-5L/R	9'	51"-53"	\$2,600.00
2500-5150-5L/R	9'	54"-56"	\$2,600.00
2500-5175-5L/R	9'	54"-56"	\$2,600.00
2500-5200-5L/R	9'	57"-59"	\$2,600.00
2500-5225-5L/R	9'	60"-62"	\$2,600.00

28" Header Height - 230 V.A.C.

Part No.	Cab Height	C/P	CAD Price
2500-5000-6L/R	9'	30"-32"	\$2,500.00
2500-5025-6L/R	9'	33"-35"	\$2,500.00
2500-5050-6L/R	9'	36"-38"	\$2,500.00
2500-5075-6L/R	9'	39"-41"	\$2,500.00
2500-5100-6L/R	9'	42"-50"	\$2,500.00
2500-5125-6L/R	9'	51"-53"	\$2,500.00
2500-5150-6L/R	9'	54"-56"	\$2,500.00
2500-5175-6L/R	9'	54"-56"	\$2,500.00
2500-5200-6L/R	9'	57"-59"	\$2,500.00
2500-5225-6L/R	9'	60"-62"	\$2,500.00

GAL Canada
Operator

DOOR EQUIPMENT

Door Operator Assemblies

Door Operator Linear (Heavy Duty)

MOVFE-2500 (Center Parting)

34" Header Height - 120 V.A.C.

Part No.	Cab Height	C/P	CAD Price
2500-5000-7L/R	9' 6"	30"-32"	\$2,600.00
2500-5025-7L/R	9' 6"	33"-35"	\$2,600.00
2500-5050-7L/R	9' 6"	36"-38"	\$2,600.00
2500-5075-7L/R	9' 6"	39"-41"	\$2,600.00
2500-5100-7L/R	9' 6"	42"-50"	\$2,600.00
2500-5125-7L/R	9' 6"	51"-53"	\$2,600.00
2500-5150-7L/R	9' 6"	54"-56"	\$2,600.00
2500-5175-7L/R	9' 6"	54"-56"	\$2,600.00
2500-5200-7L/R	9' 6"	57"-59"	\$2,600.00
2500-5225-7L/R	9' 6"	60"-62"	\$2,600.00

34" Header Height - 230 V.A.C.

Part No.	Cab Height	C/P	CAD Price
2500-5000-8L/R	9' 6"	30"-32"	\$2,500.00
2500-5025-8L/R	9' 6"	33"-35"	\$2,500.00
2500-5050-8L/R	9' 6"	36"-38"	\$2,500.00
2500-5075-8L/R	9' 6"	39"-41"	\$2,500.00
2500-5100-8L/R	9' 6"	42"-50"	\$2,500.00
2500-5125-8L/R	9' 6"	51"-53"	\$2,500.00
2500-5150-8L/R	9' 6"	54"-56"	\$2,500.00
2500-5175-8L/R	9' 6"	54"-56"	\$2,500.00
2500-5200-8L/R	9' 6"	57"-59"	\$2,500.00
2500-5225-8L/R	9' 6"	60"-62"	\$2,500.00

40" Header Height - 120 V.A.C.

Part No.	Cab Height	C/P	CAD Price
2500-5000-9L/R	10'	30"-32"	\$2,600.00
2500-5025-9L/R	10'	33"-35"	\$2,600.00
2500-5050-9L/R	10'	36"-38"	\$2,600.00
2500-5075-9L/R	10'	39"-41"	\$2,600.00
2500-5100-9L/R	10'	42"-50"	\$2,600.00
2500-5125-9L/R	10'	51"-53"	\$2,600.00
2500-5150-9L/R	10'	54"-56"	\$2,600.00
2500-5175-9L/R	10'	54"-56"	\$2,600.00
2500-5200-9L/R	10'	57"-59"	\$2,600.00
2500-5225-9L/R	10'	60"-62"	\$2,600.00

40" Header Height - 230 V.A.C.

Part No.	Cab Height	C/P	CAD Price
2500-5000-10L/R	10'	30"-32"	\$2,500.00
2500-5025-10L/R	10'	33"-35"	\$2,500.00
2500-5050-10L/R	10'	36"-38"	\$2,500.00
2500-5075-10L/R	10'	39"-41"	\$2,500.00
2500-5100-10L/R	10'	42"-50"	\$2,500.00
2500-5125-10L/R	10'	51"-53"	\$2,500.00
2500-5150-10L/R	10'	54"-56"	\$2,500.00
2500-5175-10L/R	10'	54"-56"	\$2,500.00
2500-5200-10L/R	10'	57"-59"	\$2,500.00
2500-5225-10L/R	10'	60"-62"	\$2,500.00

Door Operator Parts - Harmonic

Crank/Drive Arm Assemblies

895 Series



895 Series (Single Speed)

16" Header Height

Part No.	Cab Height	S/S	CAD Price
895-3004-1	8'	28"-29"	\$99.00
895-3004-6	8'	30"-34"	\$99.00
895-3004-11	8'	35"-39"	\$99.00
895-3004-16	8'	40"-44"	\$99.00
895-3004-21	8'	45"-51"	\$99.00
895-3004-26	8'	52"-54"	\$99.00

22" Header Height

Part No.	Cab Height	S/S	CAD Price
895-3004-2	8' 6"	28"-29"	\$99.00
895-3004-7	8' 6"	30"-34"	\$99.00
895-3004-12	8' 6"	35"-39"	\$99.00
895-3004-17	8' 6"	40"-44"	\$99.00
895-3004-22	8' 6"	45"-51"	\$99.00
895-3004-27	8' 6"	52"-54"	\$99.00

DOOR EQUIPMENT

Door Operator Parts - Harmonic

Crank/Drive Arm Assemblies

895 Series (Single Speed)

28" Header Height

Part No.	Cab Height	S/S	CAD Price
895-3004-3	9'	28"-29"	\$99.00
895-3004-8	9'	30"-34"	\$99.00
895-3004-13	9'	35"-39"	\$99.00
895-3004-18	9'	40"-44"	\$99.00
895-3004-23	9'	45"-51"	\$99.00
895-3004-28	9'	52"-54"	\$99.00

34" Header Height

Part No.	Cab Height	S/S	CAD Price
895-3004-4	9' 6"	28"-29"	\$99.00
895-3004-9	9' 6"	30"-34"	\$99.00
895-3004-14	9' 6"	35"-39"	\$99.00
895-3004-19	9' 6"	40"-44"	\$99.00
895-3004-24	9' 6"	45"-51"	\$99.00
895-3004-29	9' 6"	52"-54"	\$99.00

40" Header Height

Part No.	Cab Height	S/S	CAD Price
895-3004-5	10'	28"-29"	\$99.00
895-3004-10	10'	30"-34"	\$99.00
895-3004-15	10'	35"-39"	\$99.00
895-3004-20	10'	40"-44"	\$99.00
895-3004-25	10'	45"-51"	\$99.00
895-3004-30	10'	52"-54"	\$99.00

Specially Engineered

Part No.	Cab Height	S/S	CAD Price
895-3004*	Custom	28"-200"	Call

895 Series (Two Speed)

16" Header Height

Part No.	Cab Height	2/SP	CAD Price
895-3005-1	8'	28"-29"	\$99.00
895-3005-6	8'	30"-34"	\$99.00
895-3005-11	8'	35"-39"	\$99.00
895-3005-16	8'	40"-44"	\$99.00
895-3005-21	8'	45"-51"	\$99.00
895-3005-26	8'	52"-54"	\$99.00

22" Header Height

Part No.	Cab Height	2/SP	CAD Price
895-3005-2	8' 6"	28"-29"	\$99.00
895-3005-7	8' 6"	30"-34"	\$99.00
895-3005-12	8' 6"	35"-39"	\$99.00
895-3005-17	8' 6"	40"-44"	\$99.00
895-3005-22	8' 6"	45"-51"	\$99.00
895-3005-27	8' 6"	52"-54"	\$99.00

28" Header Height

Part No.	Cab Height	2/SP	CAD Price
895-3005-3	9'	28"-29"	\$99.00
895-3005-8	9'	30"-34"	\$99.00
895-3005-13	9'	35"-39"	\$99.00
895-3005-18	9'	40"-44"	\$99.00
895-3005-23	9'	45"-51"	\$99.00
895-3005-28	9'	52"-54"	\$99.00

34" Header Height

Part No.	Cab Height	2/SP	CAD Price
895-3005-4	9' 6"	28"-29"	\$99.00
895-3005-9	9' 6"	30"-34"	\$99.00
895-3005-14	9' 6"	35"-39"	\$99.00
895-3005-19	9' 6"	40"-44"	\$99.00
895-3005-24	9' 6"	45"-51"	\$99.00
895-3005-29	9' 6"	52"-54"	\$99.00

40" Header Height

Part No.	Cab Height	2/SP	CAD Price
895-3005-5	10'	28"-29"	\$99.00
895-3005-10	10'	30"-34"	\$99.00
895-3005-15	10'	35"-39"	\$99.00
895-3005-20	10'	40"-44"	\$99.00
895-3005-25	10'	45"-51"	\$99.00
895-3005-30	10'	52"-54"	\$99.00

Specially Engineered

Part No.	Cab Height	2/SP	CAD Price
895-3005*	Custom	28"-200"	Call

DOOR EQUIPMENT

Door Operator Parts - Harmonic

Crank/Drive Arm Assemblies

895 Series (Center Parting)

16" Header Height

Part No.	Cab Height	C/P	CAD Price
895-3003-1	8'	29"-33"	\$400.00
895-3003-6	8'	34"-39"	\$198.00
895-3003-11	8'	40"-44"	\$198.00
895-3003-16	8'	45"-49"	\$198.00
895-3003-21	8'	50"-54"	\$198.00

22" Header Height

Part No.	Cab Height	C/P	CAD Price
895-3003-2	8' 6"	29"-33"	\$198.00
895-3003-7	8' 6"	34"-39"	\$198.00
895-3003-12	8' 6"	40"-44"	\$198.00
895-3003-17	8' 6"	45"-49"	\$198.00
895-3003-22	8' 6"	50"-54"	\$198.00

28" Header Height

Part No.	Cab Height	C/P	CAD Price
895-3003-3	9'	29"-33"	\$198.00
895-3003-8	9'	34"-39"	\$198.00
895-3003-13	9'	40"-44"	\$198.00
895-3003-18	9'	45"-49"	\$198.00
895-3003-23	9'	50"-54"	\$198.00

34" Header Height

Part No.	Cab Height	C/P	CAD Price
895-3003-4	9' 6"	29"-33"	\$198.00
895-3003-9	9' 6"	34"-39"	\$198.00
895-3003-14	9' 6"	40"-44"	\$198.00
895-3003-19	9' 6"	45"-49"	\$198.00
895-3003-24	9' 6"	50"-54"	\$198.00

40" Header Height

Part No.	Cab Height	C/P	CAD Price
895-3003-5	10'	29"-33"	\$198.00
895-3003-10	10'	34"-39"	\$198.00
895-3003-15	10'	40"-44"	\$198.00
895-3003-20	10'	45"-49"	\$198.00
895-3003-25	10'	50"-54"	\$198.00

Specially Engineered

Part No.	Cab Height	C/P	CAD Price
895-3003*	Custom	29"-200"	\$200.00

1000 & 2500HH Series (Single Speed)

16" Header Height

Part No.	Cab Height	S/S	CAD Price
1000-3004-1	8'	28"-29"	\$121.00
1000-3004-6	8'	30"-34"	\$121.00
1000-3004-11	8'	35"-39"	\$121.00
1000-3004-16	8'	40"-44"	\$121.00
1000-3004-21	8'	45"-51"	\$121.00
1000-3004-26	8'	52"-54"	\$121.00

22" Header Height

Part No.	Cab Height	S/S	CAD Price
1000-3004-2	8' 6"	28"-29"	\$121.00
1000-3004-7	8' 6"	30"-34"	\$121.00
1000-3004-12	8' 6"	35"-39"	\$121.00
1000-3004-17	8' 6"	40"-44"	\$121.00
1000-3004-22	8' 6"	45"-51"	\$121.00
1000-3004-27	8' 6"	52"-54"	\$121.00

28" Header Height

Part No.	Cab Height	S/S	CAD Price
1000-3004-3	9'	28"-29"	\$121.00
1000-3004-8	9'	30"-34"	\$121.00
1000-3004-13	9'	35"-39"	\$121.00
1000-3004-18	9'	40"-44"	\$121.00
1000-3004-23	9'	45"-51"	\$121.00
1000-3004-28	9'	52"-54"	\$121.00

34" Header Height

Part No.	Cab Height	S/S	CAD Price
1000-3004-4	9' 6"	28"-29"	\$121.00
1000-3004-9	9' 6"	30"-34"	\$121.00
1000-3004-14	9' 6"	35"-39"	\$121.00
1000-3004-19	9' 6"	40"-44"	\$121.00
1000-3004-24	9' 6"	45"-51"	\$121.00
1000-3004-29	9' 6"	52"-54"	\$121.00

DOOR EQUIPMENT

Door Operator Parts - Harmonic

Crank/Drive Arm Assemblies

1000 & 2500HH Series (Single Speed)

40" Header Height

Part No.	Cab Height	S/S	CAD Price
1000-3004-5	10'	28"-29"	\$121.00
1000-3004-10	10'	30"-34"	\$121.00
1000-3004-15	10'	35"-39"	\$121.00
1000-3004-20	10'	40"-44"	\$121.00
1000-3004-25	10'	45"-51"	\$121.00
1000-3004-30	10'	52"-54"	\$121.00

Specially Engineered

Part No.	Cab Height	S/S	CAD Price
1000-3004*	Custom	28"-200"	\$13.00

1000 & 2500HH Series (Two Speed)

16" Header Height

Part No.	Cab Height	2/SP	CAD Price
1000-3005-1	8'	28"-29"	\$121.00
1000-3005-6	8'	30"-34"	\$121.00
1000-3005-11	8'	35"-39"	\$121.00
1000-3005-16	8'	40"-44"	\$121.00
1000-3005-21	8'	45"-51"	\$121.00
1000-3005-26	8'	52"-54"	\$121.00

22" Header Height

Part No.	Cab Height	2/SP	CAD Price
1000-3005-2	8' 6"	28"-29"	\$121.00
1000-3005-7	8' 6"	30"-34"	\$121.00
1000-3005-12	8' 6"	35"-39"	\$121.00
1000-3005-17	8' 6"	40"-44"	\$121.00
1000-3005-22	8' 6"	45"-51"	\$121.00
1000-3005-27	8' 6"	52"-54"	\$121.00

28" Header Height

Part No.	Cab Height	2/SP	CAD Price
1000-3005-3	9'	28"-29"	\$121.00
1000-3005-8	9'	30"-34"	\$121.00
1000-3005-13	9'	35"-39"	\$121.00
1000-3005-18	9'	40"-44"	\$121.00
1000-3005-23	9'	45"-51"	\$121.00
1000-3005-28	9'	52"-54"	\$121.00

34" Header Height

Part No.	Cab Height	2/SP	CAD Price
1000-3005-4	9' 6"	28"-29"	\$121.00
1000-3005-9	9' 6"	30"-34"	\$121.00
1000-3005-14	9' 6"	35"-39"	\$121.00
1000-3005-19	9' 6"	40"-44"	\$121.00
1000-3005-24	9' 6"	45"-51"	\$121.00
1000-3005-29	9' 6"	52"-54"	\$121.00

40" Header Height

Part No.	Cab Height	2/SP	CAD Price
1000-3005-5	10'	28"-29"	\$121.00
1000-3005-10	10'	30"-34"	\$121.00
1000-3005-15	10'	35"-39"	\$121.00
1000-3005-20	10'	40"-44"	\$121.00
1000-3005-25	10'	45"-51"	\$121.00
1000-3005-30	10'	52"-54"	\$121.00

Specially Engineered

Part No.	Cab Height	2/SP	CAD Price
1000-3005*	Custom	28"-200"	Call

1000 & 2500HH Series (Center Parting)

16" Header Height

Part No.	Cab Height	C/P	CAD Price
1000-3003-1	8'	29"-33"	\$400.00
1000-3003-6	8'	34"-39"	\$242.00
1000-3003-11	8'	40"-44"	\$242.00
1000-3003-16	8'	45"-49"	\$242.00
1000-3003-21	8'	50"-54"	\$242.00

22" Header Height

Part No.	Cab Height	C/P	CAD Price
1000-3003-2	8' 6"	29"-33"	\$242.00
1000-3003-7	8' 6"	34"-39"	\$242.00
1000-3003-12	8' 6"	40"-44"	\$242.00
1000-3003-17	8' 6"	45"-49"	\$242.00
1000-3003-22	8' 6"	50"-54"	\$242.00

DOOR EQUIPMENT

Door Operator Parts - Harmonic

Crank/Drive Arm Assemblies

1000 & 2500HH Series (Center Parting)

28" Header Height

Part No.	Cab Height	C/P	CAD Price
1000-3003-3	9'	29"-33"	\$242.00
1000-3003-8	9'	34"-39"	\$242.00
1000-3003-13	9'	40"-44"	\$242.00
1000-3003-18	9'	45"-49"	\$242.00
1000-3003-23	9'	50"-54"	\$242.00

34" Header Height

Part No.	Cab Height	C/P	CAD Price
1000-3003-4	9' 6"	29"-33"	\$242.00
1000-3003-9	9' 6"	34"-39"	\$242.00
1000-3003-14	9' 6"	40"-44"	\$242.00
1000-3003-19	9' 6"	45"-49"	\$242.00
1000-3003-24	9' 6"	50"-54"	\$242.00

40" Header Height

Part No.	Cab Height	C/P	CAD Price
1000-3003-5	10'	29"-33"	\$242.00
1000-3003-10	10'	34"-39"	\$242.00
1000-3003-15	10'	40"-44"	\$242.00
1000-3003-20	10'	45"-49"	\$242.00
1000-3003-25	10'	50"-54"	\$242.00

Specially Engineered

Part No.	Cab Height	C/P	CAD Price
1000-3003*	Custom	29"-200"	\$200.00

Drive Board Assemblies (VFE 2500 Series)

2500-3050-1



Description
Voltage: 120 VAC
Where Used: VFE 2500
CAD Price: \$1,190.00

2500-3050-2



Description
Voltage: 230 VAC
Where Used: VFE 2500
CAD Price: Call

Electronic Assemblies (895 Series)

895-3051



Description
Complete Electronic Assembly 120 VAC
Where Used: 895
CAD Price: \$914.00

895-3051-1



Description
Complete Electronic Assembly 230 VAC
Where Used: 895
CAD Price: \$715.00

895-3052



Description
Electronic Assembly (No PCB)
Where Used: 895
CAD Price: \$320.00

DOOR EQUIPMENT

Door Operator Parts - Harmonic

Electronic Assemblies (1000 Series)

1000-3051



Description
 Electronic Assembly 120 VAC
 Where Used: 1000
 CAD Price: \$1,196.00

1000-3051-1



Description
 Electronic Assembly 230 VAC
 Where Used: 1000
 CAD Price: \$1,190.00

1000-3052



Description
 Electronic Assembly
 Where Used: 1000
 CAD Price: \$376.00

Modules and Boards (VFE 2500 Series)

2500-3055



Description
 VFE I/O Board
 CAD Price: \$178.00

2500-3056



Description
 Harmonic Optical Cam Board
 CAD Price: \$150.00

2500-1005



Description
 VFE 2500 Can Bus Module
 CAD Price: \$121.00

2500-3061



Description
 Universal Input Module
 CAD Price: \$32.00

2500-1003



Description
 VFE Encoder Module
 CAD Price: \$250.00

DOOR EQUIPMENT

Door Operator Parts - Harmonic

PCB Assemblies

Medium Duty - 895 Series



Part No.	Description	CAD Price
895-3050	ECI 895 PCB Standard Assembly 120 VAC	\$640.00
895-3050-1	ECI 895 PCB Asc. 2000 Assembly 24 VDC	\$640.00
895-3050-2	ECI 895 PCB Standard Assembly 230 VAC	\$620.00

Heavy Duty - 1000 Series



Part No.	Description	CAD Price
1000-3050	ECI 1000 PCB Standard Assembly 120 VAC	\$840.00
1000-3050-1	ECI 1000 PCB Asc. 2000 Assembly 24 VDC	\$994.00
1000-3050-2	ECI 1000 PCB Standard Assembly 230 VAC	\$820.00

VFE 2500 Series



Part No.	Description	CAD Price
2500-3050-1	VFE Drive Board Assembly 120 VAC	\$1,190.00
2500-3050-2	VFE Drive Board Assembly 230 VAC	Call

Pivot Assemblies



895 Series

Part No.	S/S	2/SP	CAD Price
895-3031-1	28"-29"	28"-29"	\$66.50
895-3031-2	30"-34"	30"-34"	\$66.50
895-3031-3	35"-39"	35"-39"	\$66.50
895-3031-4	40"-44"	40"-44"	\$66.50
895-3031-5	45"-55"	45"-55"	\$66.50
895-3031*	Custom	Custom	Call

1000 Series

Part No.	S/S	2/SP	CAD Price
1000-3031-1	28"-29"	28"-29"	\$81.50
1000-3031-2	30"-34"	30"-34"	\$81.50
1000-3031-3	35"-39"	35"-39"	\$81.50
1000-3031-4	40"-44"	40"-44"	\$81.50
1000-3031-5	45"-55"	45"-55"	\$81.50
1000-3031*	Custom	Custom	\$81.50

VFE 2500 Series

Part No.	S/S	2/SP	CAD Price
2500-3031-1	28"-29"	28"-29"	\$90.00
2500-3031-2	30"-34"	30"-34"	\$90.00
2500-3031-3	35"-39"	35"-39"	\$90.00
2500-3031-4	40"-44"	40"-44"	\$90.00
2500-3031-5	45"-55"	45"-55"	\$90.00
2500-3031*	Custom	Custom	\$90.00

DOOR EQUIPMENT

Door Operator Parts - Harmonic

Slave Bracket Assemblies



Medium Duty - 895 Series

Part No.	Length	S/S	2/SP	C/P	CAD Price
895-3028-5	5"			29"-33"	\$49.00
895-3028-6	6"	30"-34"	30"-34"	34"-49"	\$49.00
895-3028-8	8"	35"-39"	35"-39"	50"-54"	\$49.00
895-3028-10	10"	40"-44"	40"-44"		\$49.00
895-3028-12	12"	45"-54"	45"-54"		\$49.00
895-3028-14	14"				\$49.00
895-3028-SP*	Custom				Call

Heavy Duty - 1000 Series

Part No.	Length	S/S	2/SP	C/P	CAD Price
1000-3028-5	5"			29"-33"	\$58.50
1000-3028-6	6"	30"-34"	30"-34"	34"-49"	\$58.50
1000-3028-8	8"	35"-39"	35"-39"	50"-54"	\$58.50
1000-3028-10	10"	40"-44"	40"-44"		\$58.50
1000-3028-12	12"	45"-54"	45"-54"		\$58.50
1000-3028-14	14"				\$58.50
1000-3028-SP*	Custom				Call

VFE 2500 Series

Part No.	Length	S/S	2/SP	C/P	CAD Price
2500-3028-5	5"			29"-33"	\$77.00
2500-3028-6	6"	30"-34"	30"-34"	34"-49"	\$77.00
2500-3028-8	8"	35"-39"	35"-39"	50"-54"	\$77.00
2500-3028-10	10"	40"-44"	40"-44"		\$77.00
2500-3028-12	12"	45"-54"	45"-54"		\$77.00
2500-3028-14	14"				\$77.00
2500-3028-SP*	Custom				Call

Slave Bracket Parts

Slave Arm



Call For Pricing

Slave Bracket



Part No. 895-3028
CAD Price: \$43.50

Slave Arms

Medium Duty - 895

Part No.	Arm Length
895-1062-5	5"
895-1062-6	6"
895-1062-8	8"
895-1062-10	10"
895-1062-12	12"
895-1062-14	14"

Heavy Duty - 1000

Part No.	Arm Length
1000-1062-5	5"
1000-1062-6	6"
1000-1062-8	8"
1000-1062-10	10"
1000-1062-12	12"
1000-1062-14	14"

VFE 2500

Part No.	Arm Length
2500-1062-5	5"
2500-1062-6	6"
2500-1062-8	8"
2500-1062-10	10"
2500-1062-12	12"
2500-1062-14	14"

Bar Assemblies (Type "A" Bar)

1000-3020



Description
"A" Bar Assembly, Single & Two Speed Where Used: 895, 1000, 2500HH CAD Price: \$60.00

1000-3027



Description
"A" Bar Assembly, Center Parting Where Used: 895, 1000, 2500HH CAD Price: \$59.50

DOOR EQUIPMENT

Door Operator Parts - Harmonic

Bar, Pivot Assemblies

Single Speed & Two Speed

Part No.	Where Used	CAD Price
895-3046	895	\$77.00
1000-3046	1000	\$37.50
2500-3046	VFE 2500	\$40.00

Bracket, Pivot Assemblies

Center Parting

Part No.	Where Used	CAD Price
895-3029	895	\$70.50
1000-3029	1000	\$81.50
2500-3029	VFE 2500	\$91.00

Cam Assemblies

895-3023



Description
Where Used: 895
CAD Price: \$9.50

1000-3023



Description
Where Used: 1000
CAD Price: \$11.00

2500-1010



Description
Where Used: VFE 2500
CAD Price: \$19.50

Chain Sprocket Assemblies

895-3012



Description
Chain Sprocket Assembly, #35 Chain
Where Used: 895
CAD Price: \$64.50

895-3013



Description
Chain Sprocket Assembly, #40 Chain
Where Used: 895
CAD Price: \$82.00

1000-3013



Description
Chain Sprocket Assembly, #40 Chain
Where Used: 1000, 2500HH
CAD Price: \$65.00

Motor Assemblies and Related Parts

2500-3057



Description
Induction Motor Assembly
Where Used: VFE 2500
CAD Price: \$605.00

2500-3057-1



Description
Induction Motor Assembly
Where Used: VFE 2500
CAD Price: \$855.00

1000-3006



Description
ECI 1000 1/3 HP Motor 48 VDC 1150PRM
Where Used: 1000
CAD Price: \$820.00

895-3006



Description
ECI 895 1/6 HP Motor 24 VDC 1150RPM
Where Used: 895
CAD Price: \$620.00

DOOR EQUIPMENT

Door Operator Parts - Harmonic

Motor Assemblies and Related Parts

1000-3004



Description
Motor Tension Hardware
Where Used: 895, 1000, 2500HH
CAD Price: \$13.00

1000-3007



Description
1000 Motor V-Belt Pulley
Where Used: 895, 1000, 2500HH
CAD Price: \$28.00

1000-3008



Description
AX 53 Serrated V-BELT (4L550)
Where Used: 895, 1000, 2500HH
CAD Price: \$13.80

Wheel Assemblies (Chain, Wheel)

895-3047



Description
Chain Wheel Assemblies
Where Used: 895
CAD Price: \$210.00

1000-3047



Description
Chain Wheel Assemblies
Where Used: 1000
CAD Price: \$240.00

1000-3017-1



Description
Chain Wheel Assemblies
Where Used: VFE 2500
CAD Price: Call

895-3017



Description
Pulley Wheel Assemblies
Where Used: 895
CAD Price: \$133.10

1000-3017



Description
Pulley Wheel Assemblies
Where Used: 1000, 2500HH
CAD Price: \$264.00

DOOR EQUIPMENT

Door Operator Parts - Harmonic

Connectors

2500-3077



Description
VFE 3 Pin I/O Board Connector
Where Used: VFE 2500
CAD Price: \$30.00

2500-3078



Description
VFE 9 Pin I/O Board Connector
Where Used: VFE 2500
CAD Price: \$30.00

2500-3080



Description
VFE 3 Pin Detector Connector
Where Used: VFE 2500
CAD Price: \$30.00

2500-3081



Description
VFE 16 Pin Input/Output Connector
Where Used: VFE 2500
CAD Price: Call

2500-3082



Description
VFE 8 Pin Power Connector
Where Used: VFE 2500
CAD Price: Call

Fuses

1000-1427



Description
MDL 3A/250V Fuse F-1
Where Used: 895, 1000
CAD Price: \$2.50

1000-1428



Description
MDL 2A/250V Fuse F-2
Where Used: 895, 1000
CAD Price: \$2.50

1000-1429



Description
GBB 9A/60V Fuse F-3
Where Used: 895, 1000
CAD Price: \$2.50

2500-3070



Description
VFE Fuse 4-AMP Slow Blow
Where Used: VFE 2500
CAD Price: \$15.00

Linkages (Type "C")

Tapped "C" Linkage



Part No.	Where Used	CAD Price
2500-3025	VFE 2500	\$60.00
895-3025	895	\$36.50
1000-3025	1000	\$49.00

Slotted "C" Linkage



Part No.	Where Used	CAD Price
2500-3026	VFE 2500	\$60.00
895-3026	895	\$36.50
1000-3026	1000	\$49.00

DOOR EQUIPMENT

Door Operator Parts - Harmonic

Silencer Strap Assembly



Part No.	Where Used	CAD Price
895-3018	895	\$19.50
1000-3018	1000, 2500HH	\$24.00
1000-3014**	1000, 2500HH	\$100.00

Silencer & Bearing Package



Part No.	Where Used	CAD Price
895-3043	895	Call
1000-3043	1000	\$44.00
2500-3043	VFE 2500	Call

Parameter Unit and Cable

2500-3051



Description
VFE Parameter Unit
Where Used: VFE 2500
CAD Price: \$220.00

2500-2026



Description
VFE 7" Parameter Unit Cable
Where Used: VFE 2500
CAD Price: \$25.00

2500-2026-1



Description
VFE 7 1/2" Parameter Unit Cable
Where Used: VFE 2500
CAD Price: Call

Relays



Part No.	Where Used	Description	CAD Price
895-1214	895	MY4 Relay 120 VAC	\$33.00
895-1214-1	895	MY4 Relay 230 VAC	\$24.50
895-1215	895	LY3 Relay 24 VDC	\$33.00
895-1216	895	MY4 Relay 24 VDC	\$24.50
1000-1430	895, 1000	G5V-2-DC24 Relay	\$2.50
1000-1439	1000	6 MJN2C-E-DC24	\$22.00

GAL Canada
Operator

Rollers, Chain Tension Assembly

895-3014



Description
Chain Tension Roller Assemblies
Where Used: 895
CAD Price: \$50.00

1000-3015



Description
Chain Tension Roller Assemblies
Where Used: 1000, 2500HH
CAD Price: \$72.00

DOOR EQUIPMENT

Door Operator Parts - Harmonic

Rollers, Stop

1000-3016



Description
Single Speed & Two Speed, Stop Roller Where Used: 895, 1000, 2500HH CAD Price: \$24.00

1000-3016-1



Description
Center Parting Inside, Stop Roller Where Used: 895, 1000, 2500HH CAD Price: \$24.00

1000-3016-2



Description
Center Parting Outside, Stop Roller Where Used: 895, 1000, 2500HH CAD Price: \$24.00

Miscellaneous Parts

2500-2017



Description
Transformer Where Used: VFE 2500 CAD Price: \$300.00

2500-2020



Description
VFE Encoder For 1/2 HP AC Motor Where Used: VFE 2500 CAD Price: \$250.00

2500-3076



Description
Enable Chip Where Used: VFE 2500 CAD Price: \$9.50

895-6010



Description
KBC-1502 Bridge Rectifier Where Used: 895, 1000 CAD Price: \$18.70

895-3010



Description
Pillow Block Bearing Where Used: 895 CAD Price: \$44.00

1000-3011



Description
Pillow Block Bearing Where Used: 1000, 2500HH CAD Price: \$40.00

895-3024



Description
Standard Limit Switch Rack Where Used: 895 CAD Price: \$158.00

1000-3024







Description
Limit Switch Rack Where Used: 1000 CAD Price: \$170.00

DOOR EQUIPMENT

Door Operator Parts - Harmonic

Miscellaneous Parts

2500-3073	2500-3074	2500-3069	2500-3070-1
			
Description VFE 10 Pin Ribbon Cable Where Used: VFE 2500 CAD Price: \$28.00	Description VFE 14 Pin Ribbon Cable Where Used: VFE 2500 CAD Price: \$300.00	Description Manual (Electronic /Electrical) Where Used: VFE 2500 CAD Price: \$38.50	Description Manual (Harmonic Mechanical) Where Used: VFE 2500 CAD Price: Call

Door Operator Parts - Linear (VFE 2500 Series)

Drive Belts



Single Speed

Part No.	Belt Length	S/S	CAD Price	Part No.	Belt Length	S/S	CAD Price
2500-2000-5	112"	30"-30"	\$175.00	2500-2000-26	182"	46"-48"	\$175.00
2500-2000-9	124"	31"-33"	\$175.00	2500-2000-28	194"	49"-51"	\$175.00
2500-2000-13	136"	34"-36"	\$175.00	2500-2000-33	206"	52"-54"	\$175.00
2500-2000-15	146"	37"-39"	\$175.00	2500-2000-34	218"	55"-57"	\$175.00
2500-2000-19	158"	40"-42"	\$175.00	2500-2000-37	230"	58"-60"	\$175.00
2500-2000-22	170"	43"-45"	\$175.00				

Two Speed

Part No.	Belt Length	2/SP	CAD Price	Part No.	Belt Length	2/SP	CAD Price
2500-2000-1	97"	30"-30"	\$175.00	2500-2000-14	140"	47"-48"	\$175.00
2500-2000-2	101"	31"-32"	\$175.00	2500-2000-16	146"	47"-48"	\$175.00
2500-2000-3	108"	33"-34"	\$175.00	2500-2000-18	148"	49"-52"	\$175.00
2500-2000-4	112"	35"-36"	\$175.00	2500-2000-21	164"	53"-56"	\$175.00
2500-2000-6	120"	37"-38"	\$175.00	2500-2000-24	176"	57"-60"	\$175.00
2500-2000-7	124"	39"-42"	\$175.00	2500-2000-27	188"	61"-64"	\$175.00
2500-2000-10	128"	43"-44"	\$175.00	2500-2000-29	200"	65"-68"	\$175.00
2500-2000-11	136"	45"-46"	\$175.00	2500-2000-32	212"	69"-72"	\$175.00

Center Parting

Part No.	Belt Length	C/P	CAD Price	Part No.	Belt Length	C/P	CAD Price
2500-2000-8	124"	30"-32"	\$175.00	2500-2000-25	182"	45"-47"	\$175.00
2500-2000-12	134"	33"-35"	\$175.00	2500-2000-30	194"	48"-50"	\$175.00
2500-2000-17	146"	36"-38"	\$175.00	2500-2000-31	206"	51"-56"	\$175.00
2500-2000-20	158"	39"-41"	\$175.00	2500-2000-35	218"	57"-59"	\$175.00
2500-2000-23	170"	42"-44"	\$175.00	2500-2000-36	228"	60"-62"	\$175.00

Custom

Part No.	Belt Length	C/P	CAD Price
2500-2000-SP	Custom	30"-200"	\$200.00

GAL Canada
Operator

DOOR EQUIPMENT

Door Operator Parts - Linear (VFE 2500 Series)

Modules and Boards (VFE 2500 Series)

2500-3050-1



Description
VFE Drive Board Assembly, 120 VAC
CAD Price: \$1,190.00

2500-3050-2



Description
VFE Drive Board Assembly, 230 VAC
CAD Price: Call

2500-1002



Description
VFE Linear Signal Transfer Board
CAD Price: \$125.50

2500-1003



Description
VFE Encoder Module
CAD Price: \$250.00

2500-1005



Description
VFE Can Bus Module
CAD Price: \$121.00

2500-3055



Description
VFE I/O Board
CAD Price: \$178.00

2500-3061



Description
VFE Universal Input Module
CAD Price: \$32.00

Cables

2500-3073



Description
VFE 10 Pin Ribbon Cable
CAD Price: \$28.00

2500-3073-1



Description
VFE 14 Pin Ribbon Cable
CAD Price: \$28.00

2500-3074



Description
VFE Drive Pulley Assembly
CAD Price: \$300.00

2500-4006



Description
VFE Geared Motor Encoder Cable
CAD Price: \$40.00

DOOR EQUIPMENT

Door Operator Parts - Linear (VFE 2500 Series)

Connectors

2500-3077



Description
VFE 3 Pin I/O Board Connector CAD Price: \$30.00

2500-3078



Description
VFE 9 Pin I/O Board Connector CAD Price: \$30.00

2500-3082



Description
VFE 8 Pin Power Connector CAD Price: Call

2500-3080



Description
VFE 3 Pin Detector Connector CAD Price: \$30.00

2500-3081



Description
VFE 16 Pin Input/Output Connector CAD Price: Call

Door Stops

Header Door Stop



Part No.	Description	CAD Price
2500-3089-3	VFE Header Door Stop, S/S 30"-70" D.O.	\$29.00
2500-3089-1	VFE Header Door Stop, 2/SP 29"-53" D.O.	Call
2500-3089-2	VFE Header Door Stop, C/P 30"-35" D.O.	Call

Track Door Stop



Part No.	Description	CAD Price
2500-3088-3	VFE Fixing Track Door Stop, S/S 30"-70" D.O.	Call
2500-3088-1	VFE Fixing Track Door Stop, 2/SP 54"-66" D.O.	Call
2500-3088-2	VFE Fixing Track Door Stop, C/P 36"-62" D.O.	Call

Extension Arms



Single Speed

Part No.	Arm Length	S/S	CAD Price
2500-1002-2	9"	30"-30"	Call
2500-1002-6	18 1/2"	31"-42"	Call
2500-1002-7	30"	43"-51"	Call
2500-1002-8	39 1/2"	52"-60"	Call

Center Parting

Part No.	Arm Length	C/P	CAD Price
2500-1002-3	10"	42"-50" 54"-56"	\$36.00
2500-1002-4	14"	51"-53"	\$40.00
2500-1002-5	14"	57"-62"	Call

DOOR EQUIPMENT

Door Operator Parts - Linear (VFE 2500 Series)

Motor Assemblies and Related Parts

2500-3057-2



Description
VFE 1/2 HP 3 Phase 230 VAC Induction Motor Assembly VFE2500-HI
CAD Price: \$500.00

2500-3057-3



Description
VFE 1/2 HP 3 Phase 230 VAC Induction Motor Assembly Comes With Encoder Assembly VFE2500-HI
CAD Price: \$750.00

2500-2016-L/R



Description
VFE Geared Motor 91W 3 Phase 230 VAC Comes With Encoder Left Hand
CAD Price: \$700.00



Part No.	Description	CAD Price
2500-2075-1	Motor Belt R350J, Cab Height: 8'	\$32.00
2500-2075-2	Motor Belt R440J, Cab Height: 8' 6"	\$37.00
2500-2075-3	Motor Belt R580J, Cab Height: 9'	\$42.00
2500-2075-4	Motor Belt R700J, Cab Height: 9' 6"	\$49.50
2500-2075-5	Motor Belt R780J, Cab Height: 10'	\$54.00

Keeper Brackets

2500-3068-1



Description
VFE Lower Belt Bracket, Standard
CAD Price: \$130.00

2500-3068-L/R



Description
VFE Lower Belt Bracket, Keeper
CAD Price: \$132.00

2500-3092-L/R



Description
VFE Keeper Bracket
CAD Price: \$30.00

Parameter Unit and Cables

2500-3051



Description
VFE Parameter Unit
CAD Price: \$220.00

2500-2026



Description
VFE 7' Parameter Unit Cable
CAD Price: \$25.00

2500-2026-1



Description
VFE 7 1/2' Parameter Unit Cable
CAD Price: Call

DOOR EQUIPMENT

Door Operator Parts - Linear (VFE 2500 Series)

Pulley Assemblies

2500-2060



Description
VFE Geared Motor Pulley CAD Price: \$150.00

2500-3025-1



Description
VFE 1/2 HP Motor Pulley VFE2500-HI CAD Price: \$28.00

2500-3079



Description
VFE Take Up Pulley Assembly CAD Price: \$90.00

Fixing Struts



Single Speed

Part No.	Strut Length	S/S	CAD Price
2500-1000-38	60"	30"-30"	\$120.50
2500-1000-7	66"	31"-33"	\$120.50
2500-1000-11	72"	34"-36"	\$120.50
2500-1000-14	78"	37"-39"	\$120.50
2500-1000-18	84"	40"-42"	\$120.50
2500-1000-20	90"	43"-45"	\$120.50
2500-1000-24	96"	46"-48"	\$120.50
2500-1000-26	102"	49"-51"	\$120.50
2500-1000-29	108"	52"-54"	\$120.50
2500-1000-33	114"	55"-57"	\$120.50
2500-1000-35	120"	58"-60"	\$120.50

Two Speed

Part No.	Strut Length	2/SP	CAD Price
2500-1000-1	52 1/2"	30"-30"	\$196.00
2500-1000-2	54"	31"-32"	\$196.00
2500-1000-3	58"	33"-34"	\$196.00
2500-1000-4	60"	35"-36"	\$196.00
2500-1000-5	64"	37"-38"	\$196.00
2500-1000-6	66"	39"-42"	\$196.00
2500-1000-39	68"	43"-44"	\$196.00
2500-1000-9	72"	45"-46"	\$196.00
2500-1000-12	74"	47"-48"	\$196.00
2500-1000-13	78"	49"-52"	\$196.00
2500-1000-16	86"	53"-56"	\$196.00
2500-1000-19	86"	53"-56"	\$196.00
2500-1000-22	92"	57"-60"	\$196.00
2500-1000-25	98"	61"-64"	\$196.00
2500-1000-28	104"	65"-68"	\$196.00
2500-1000-31	110"	69"-72"	\$196.00

Center Parting

Part No.	Strut Length	C/P	CAD Price
2500-1000-8	66"	30"-32"	\$120.50
2500-1000-10	72"	33"-35"	\$120.50
2500-1000-15	78"	36"-38"	\$120.50
2500-1000-17	84"	39"-41"	\$120.50
2500-1000-21	90"	42"-44"	\$120.50
2500-1000-23	96"	45"-47"	\$120.50
2500-1000-27	102"	48"-50"	\$120.50
2500-1000-30	108"	51"-56"	\$120.50
2500-1000-32	114"	57"-59"	\$120.50
2500-1000-34	120"	60"-62"	\$120.50
2500-1000-36	30"-200"	Custom	\$196.00

GAL Canada
Operator

DOOR EQUIPMENT

Door Operator Parts - Linear (VFE 2500 Series)

Universal Bracket



Part No.	Length	S/S	2/SP	C/P	Description	CAD Price
2500-1001-11R	14"	30"-60"			VFE Universal Bracket 14"	Call
2500-1001-9L	14"	30"-60"			VFE Universal Bracket 14"	Call
2500-1001-2L/R	6"		30"-72"		VFE Universal Bracket 6"	\$50.00
2500-1001-1L	5 1/2"			30"-32"	VFE Universal Bracket 5 1/2"	Call
2500-1001-3L	7"			33"-35"	VFE Universal Bracket 7"	Call
2500-1001-4L	8 1/2"			36"-38"	VFE Universal Bracket 8 1/2"	Call
2500-1001-5L	10"			39"-62"	VFE Universal Bracket 10"	\$65.00

Miscellaneous Parts

2500-3068-1



Description

VFE C/P Upper Belt Bracket
CAD Price: \$130.00

2000-3080



Description

VFE Tension Block
CAD Price: Call

2500-3084



Description

VFE Clutch Cam
CAD Price: \$36.50

2500-3085



Description

Linear Clutch Linkage Arm
CAD Price: \$22.00

2500-3075-1



Description

VFE 24 VDC, 10 AMP, 250 VAC
Relay
CAD Price: Call

2500-3076



Description

VFE Enable Chip
CAD Price: \$9.50

2500-5019



Description

VFE Hall Effect Sensor Assembly
CAD Price: \$80.00

2500-2020



Description

VFE Encoder For 1/2 HP AC Motor
CAD Price: \$250.00

2500-3070



Description

VFE Fuse 4-AMP Slow Blow
CAD Price: \$15.00

2500-2017



Description

VFE Step Up/Step Down Trans-
former, 500 VA 110/220 VAC
CAD Price: \$300.00

2500-3069



Description

VFE Linear Mechanical Manual
CAD Price: \$38.50

DOOR EQUIPMENT

Car Door Hanger Assemblies

Type "I" - Drive Arm Pivot Bracket

Part No.	Description
CDH23-0001L/R	Hanger, I-Single Speed Round Car With Gate Switch Mounting Angle * Drive Arm Pivot Bracket With Special Sheaves *
CDH23-0002N	Hanger, I-Center Parting Round Car With Gate Switch Mounting Angle * Drive Arm Pivot Bracket With Special Sheaves *

Car Door Header Assemblies - 909 Series

Track and Hanger Assemblies

Single Speed - Ung geared

Please refer to the G.A.L. Car & Hatch Hanger Isometric Drawings on page 141-151 for details.

Part No.	S/S	Header	Track Length	CAD Price
909-1080-24L/R	22"-24"	16"	46"	\$237.22
909-1080-26L/R	25"-27"	16"	52"	\$237.22
909-1080-30L/R	28"-30"	16"	58"	\$237.22
909-1080-32L/R	31"-33"	16"	64"	\$237.22
909-1080-36L/R	34"-36"	16"	70"	\$237.22
909-1080-38L/R	37"-39"	16"	76"	\$237.22
909-1080-42L/R	40"-42"	16"	82"	\$237.22
909-1080-44L/R	43"-45"	16"	88"	\$384.28
909-1080-48L/R	46"-48"	16"	94"	\$384.28
909-1080-SPL/R	22"-200"	16"	Varies	Call
909-1086-24L/R	22"-24"	22"	46"	\$387.22
909-1086-26L/R	25"-27"	22"	52"	\$387.22
909-1086-30L/R	28"-30"	22"	58"	\$387.22
909-1086-32L/R	31"-33"	22"	64"	\$387.22
909-1086-36L/R	34"-36"	22"	70"	\$387.22
909-1086-38L/R	37"-39"	22"	76"	\$387.22
909-1086-42L/R	40"-42"	22"	82"	\$387.22
909-1086-44L/R	43"-45"	22"	88"	\$534.28
909-1086-48L/R	46"-48"	22"	94"	\$534.28
909-1086-SPL/R	22"-200"	22"	Varies	Call
909-1090-24L/R	22"-24"	28"	46"	\$437.22
909-1090-26L/R	25"-27"	28"	52"	\$437.22
909-1090-30L/R	28"-30"	28"	58"	\$437.22
909-1090-32L/R	31"-33"	28"	64"	\$437.22
909-1090-36L/R	34"-36"	28"	70"	\$437.22

Part No.	S/S	Header	Track Length	CAD Price
909-1090-38L/R	37"-39"	28"	76"	\$437.22
909-1090-42L/R	40"-42"	28"	82"	\$437.22
909-1090-44L/R	43"-45"	28"	88"	\$584.28
909-1090-48L/R	46"-48"	28"	94"	\$584.28
909-1090-SPL/R	22"-200"	28"	Varies	Call
909-1096-24L/R	22"-24"	34"	46"	\$487.22
909-1096-26L/R	25"-27"	34"	52"	\$487.22
909-1096-30L/R	28"-30"	34"	58"	\$487.22
909-1096-32L/R	31"-33"	34"	64"	\$487.22
909-1096-36L/R	34"-36"	34"	70"	\$487.22
909-1096-38L/R	37"-39"	34"	76"	\$487.22
909-1096-42L/R	40"-42"	34"	82"	\$487.22
909-1096-44L/R	43"-45"	34"	88"	\$634.28
909-1096-48L/R	46"-48"	34"	94"	\$634.28
909-1096-SPL/R	22"-200"	34"	Varies	Call
909-1100-24L/R	22"-24"	40"	46"	\$537.22
909-1100-26L/R	25"-27"	40"	52"	\$537.22
909-1100-30L/R	28"-30"	40"	58"	\$537.22
909-1100-32L/R	31"-33"	40"	64"	\$537.22
909-1100-36L/R	34"-36"	40"	70"	\$537.22
909-1100-38L/R	37"-39"	40"	76"	\$537.22
909-1100-42L/R	40"-42"	40"	82"	\$537.22
909-1100-44L/R	43"-45"	40"	88"	\$684.28
909-1100-48L/R	46"-48"	40"	94"	\$684.28
909-1100-SPL/R	22"-200"	40"	Varies	Call

Two Speed - Geared

Please refer to the G.A.L. Car & Hatch Hanger Isometric Drawings on page 141-151 for details.

Part No.	2/SP	Header	Track Length
909-2081-30L/R	30"	16"	46"
909-2081-32L/R	31"-32"	16"	48"
909-2081-34L/R	33"-34"	16"	52"
909-2081-36L/R	35"-36"	16"	54"
909-2081-38L/R	37"-38"	16"	58"
909-2081-40L/R	39"-40"	16"	60"
909-2081-42L/R	41"-42"	16"	64"
909-2081-44L/R	43"-44"	16"	66"
909-2081-46L/R	45"-46"	16"	70"
909-2081-48L/R	47"-48"	16"	72"
909-2081-52L/R	49"-52"	16"	76"
909-2081-56L/R	53"-56"	16"	82"
909-2081-58L/R	57"-60"	16"	88"
909-2081-62L/R	61"-64"	16"	94"
909-2081-66L/R	65"-68"	16"	100"

Part No.	2/SP	Header	Track Length
909-2081-70L/R	69"-72"	16"	106"
909-2087-30L/R	30"	22"	46"
909-2087-32L/R	31"-32"	22"	48"
909-2087-34L/R	33"-34"	22"	52"
909-2087-36L/R	35"-36"	22"	54"
909-2087-38L/R	37"-38"	22"	58"
909-2087-40L/R	39"-40"	22"	60"
909-2087-42L/R	41"-42"	22"	64"
909-2087-44L/R	43"-44"	22"	66"
909-2087-46L/R	45"-46"	22"	70"
909-2087-48L/R	47"-48"	22"	72"
909-2087-52L/R	49"-52"	22"	76"
909-2087-56L/R	53"-56"	22"	82"
909-2087-58L/R	57"-60"	22"	88"
909-2087-62L/R	61"-64"	22"	94"

DOOR EQUIPMENT

Car Door Header Assemblies - 909 Series

Track and Hanger Assemblies

Two Speed - Geared

Part No.	2/SP	Header	Track Length	Part No.	2/SP	Header	Track Length
909-2087-66L/R	65"-68"	22"	100"	909-2097-44L/R	43"-44"	28"	66"
909-2087-70L/R	69"-72"	22"	106"	909-2097-46L/R	45"-46"	28"	70"
909-2091-30L/R	30"	28"	46"	909-2097-48L/R	47"-48"	28"	72"
909-2091-32L/R	31"-32"	28"	48"	909-2097-52L/R	49"-52"	28"	76"
909-2091-34L/R	33"-34"	28"	52"	909-2097-56L/R	53"-56"	28"	82"
909-2091-36L/R	35"-36"	28"	54"	909-2097-58L/R	57"-60"	28"	88"
909-2091-38L/R	37"-38"	28"	58"	909-2097-62L/R	61"-64"	28"	94"
909-2091-40L/R	39"-40"	28"	60"	909-2097-66L/R	65"-68"	28"	100"
909-2091-42L/R	41"-42"	28"	64"	909-2097-70L/R	69"-72"	28"	106"
909-2091-44L/R	43"-44"	28"	66"	909-2111-30L/R	30"	40"	46"
909-2091-46L/R	45"-46"	28"	70"	909-2111-32L/R	31"-32"	40"	48"
909-2091-48L/R	47"-48"	28"	72"	909-2111-34L/R	33"-34"	40"	52"
909-2091-52L/R	49"-52"	28"	76"	909-2111-36L/R	35"-36"	40"	54"
909-2091-56L/R	53"-56"	28"	82"	909-2111-38L/R	37"-38"	40"	58"
909-2091-58L/R	57"-60"	28"	88"	909-2111-40L/R	39"-40"	40"	60"
909-2091-62L/R	61"-64"	28"	94"	909-2111-42L/R	41"-42"	40"	64"
909-2091-66L/R	65"-68"	28"	100"	909-2111-44L/R	43"-44"	40"	66"
909-2091-70L/R	69"-72"	28"	106"	909-2111-46L/R	45"-46"	40"	70"
909-2097-30L/R	30"	28"	46"	909-2111-48L/R	47"-48"	40"	72"
909-2097-32L/R	31"-32"	28"	48"	909-2111-52L/R	49"-52"	40"	76"
909-2097-34L/R	33"-34"	28"	52"	909-2111-56L/R	53"-56"	40"	82"
909-2097-36L/R	35"-36"	28"	54"	909-2111-58L/R	57"-60"	40"	88"
909-2097-38L/R	37"-38"	28"	58"	909-2111-62L/R	61"-64"	40"	94"
909-2097-40L/R	39"-40"	28"	60"	909-2111-66L/R	65"-68"	40"	100"
909-2097-42L/R	41"-42"	28"	64"	909-2111-70L/R	69"-72"	40"	106"

Two Speed - Ungearred

Please refer to the G.A.L. Car & Hatch Hanger Isometric Drawings on page 141-151 for details.

Part No.	2/SP	Header	Track Length	Part No.	2/SP	Header	Track Length
909-2080-30L/R	30"	16"	46"	909-2086-48L/R	47"-48"	22"	72"
909-2080-32L/R	31"-32"	16"	48"	909-2086-52L/R	49"-52"	22"	76"
909-2080-34L/R	33"-34"	16"	52"	909-2086-56L/R	53"-56"	22"	82"
909-2080-36L/R	35"-36"	16"	54"	909-2086-58L/R	57"-60"	22"	88"
909-2080-38L/R	37"-38"	16"	58"	909-2086-62L/R	61"-64"	22"	94"
909-2080-40L/R	39"-40"	16"	60"	909-2086-66L/R	65"-68"	22"	100"
909-2080-42L/R	41"-42"	16"	64"	909-2086-70L/R	69"-72"	22"	106"
909-2080-44L/R	43"-44"	16"	66"	909-2090-30L/R	30"	28"	46"
909-2080-46L/R	45"-46"	16"	70"				
909-2080-48L/R	47"-48"	16"	72"				
909-2080-52L/R	49"-52"	16"	76"				
909-2080-56L/R	53"-56"	16"	82"				
909-2080-58L/R	57"-60"	16"	88"				
909-2080-62L/R	61"-64"	16"	94"				
909-2080-66L/R	65"-68"	16"	100"				
909-2080-70L/R	69"-72"	16"	106"				
909-2086-30L/R	30"	22"	46"				
909-2086-32L/R	31"-32"	22"	48"				
909-2086-34L/R	33"-34"	22"	52"				
909-2086-36L/R	35"-36"	22"	54"				
909-2086-38L/R	37"-38"	22"	58"				
909-2086-40L/R	39"-40"	22"	60"				
909-2086-42L/R	41"-42"	22"	64"				
909-2086-44L/R	43"-44"	22"	66"				
909-2086-46L/R	45"-46"	22"	70"				

DOOR EQUIPMENT

Car Door Header Assemblies - 909 Series

Track and Hanger Assemblies

Two Speed - Ung geared

Part No.	2/SP	Header	Track Length
909-2090-36L/R	35"-36"	28"	54"
909-2090-38L/R	37"-38"	28"	58"
909-2090-40L/R	39"-40"	28"	60"
909-2090-42L/R	41"-42"	28"	64"
909-2090-44L/R	43"-44"	28"	66"
909-2090-46L/R	45"-46"	28"	70"
909-2090-48L/R	47"-48"	28"	72"
909-2090-52L/R	49"-52"	28"	76"
909-2090-56L/R	53"-56"	28"	82"
909-2090-58L/R	57"-60"	28"	88"
909-2090-62L/R	61"-64"	28"	94"
909-2090-66L/R	65"-68"	28"	100"
909-2090-70L/R	69"-72"	28"	106"
909-2096-30L/R	30"	28"	46"
909-2096-32L/R	31"-32"	28"	48"
909-2096-34L/R	33"-34"	28"	52"
909-2096-36L/R	35"-36"	28"	54"
909-2096-38L/R	37"-38"	28"	58"
909-2096-40L/R	39"-40"	28"	60"
909-2096-42L/R	41"-42"	28"	64"
909-2096-44L/R	43"-44"	28"	66"
909-2096-46L/R	45"-46"	28"	70"
909-2096-48L/R	47"-48"	28"	72"

Part No.	2/SP	Header	Track Length
909-2096-52L/R	49"-52"	28"	76"
909-2096-56L/R	53"-56"	28"	82"
909-2096-58L/R	57"-60"	28"	88"
909-2096-62L/R	61"-64"	28"	94"
909-2096-66L/R	65"-68"	28"	100"
909-2096-70L/R	69"-72"	28"	106"
909-2110-30L/R	30"	40"	46"
909-2110-32L/R	31"-32"	40"	48"
909-2110-34L/R	33"-34"	40"	52"
909-2110-36L/R	35"-36"	40"	54"
909-2110-38L/R	37"-38"	40"	58"
909-2110-40L/R	39"-40"	40"	60"
909-2110-42L/R	41"-42"	40"	64"
909-2110-44L/R	43"-44"	40"	66"
909-2110-46L/R	45"-46"	40"	70"
909-2110-48L/R	47"-48"	40"	72"
909-2110-52L/R	49"-52"	40"	76"
909-2110-56L/R	53"-56"	40"	82"
909-2110-58L/R	57"-60"	40"	88"
909-2110-62L/R	61"-64"	40"	94"
909-2110-66L/R	65"-68"	40"	100"
909-2110-70L/R	69"-72"	40"	106"

Center Parting - Ung geared

Please refer to the G.A.L. Car & Hatch Hanger Isometric Drawings on page 141-151 for details.

Part No.	C/P	Header	Track Length	CAD Price
909-3080-30	30"-32"	16"	64"	\$369.36
909-3080-34	33"-35"	16"	70"	\$369.36
909-3080-38	36"-38"	16"	76"	\$369.36
909-3080-40	39"-41"	16"	82"	\$369.36
909-3080-42	42"-44"	16"	88"	\$369.36
909-3080-46	45"-47"	16"	94"	\$369.36
909-3080-48	48"-50"	16"	100"	\$369.36
909-3080-52	51"-53"	16"	106"	\$666.42
909-3080-54	54"-56"	16"	112"	\$516.42
909-3080-SP	30"-200"	16"	Varies	Call
909-3086-30	30"-32"	22"	64"	\$519.36
909-3086-34	33"-35"	22"	70"	\$519.36
909-3086-38	36"-38"	22"	76"	\$519.36
909-3086-40	39"-41"	22"	82"	\$519.36
909-3086-42	42"-44"	22"	88"	\$519.36
909-3086-46	45"-47"	22"	94"	\$519.36
909-3086-48	48"-50"	22"	100"	\$519.36
909-3086-52	51"-53"	22"	106"	\$666.42
909-3086-54	54"-56"	22"	112"	\$666.42
909-3086-SP	30"-200"	22"	Varies	Call
909-3090-30	30"-32"	28"	64"	\$569.96
909-3090-34	33"-35"	28"	70"	\$569.96
909-3090-38	36"-38"	28"	76"	\$569.96
909-3090-40	39"-41"	28"	82"	\$569.96
909-3090-42	42"-44"	28"	88"	\$569.96

Part No.	C/P	Header	Track Length	CAD Price
909-3090-46	45"-47"	28"	94"	\$569.96
909-3090-48	48"-50"	28"	100"	\$569.96
909-3090-52	51"-53"	28"	106"	\$1,032.84
909-3090-54	54"-56"	28"	112"	\$1,032.84
909-3090-SP	30"-200"	28"	Varies	Call
909-3096-30	30"-32"	34"	64"	\$619.36
909-3096-34	33"-35"	34"	70"	\$619.36
909-3096-38	36"-38"	34"	76"	\$619.36
909-3096-40	39"-41"	34"	82"	\$619.36
909-3096-42	42"-44"	34"	88"	\$619.36
909-3096-46	45"-47"	34"	94"	\$619.36
909-3096-48	48"-50"	34"	100"	\$619.36
909-3096-52	51"-53"	34"	106"	\$1,282.84
909-3096-54	54"-56"	34"	112"	\$1,282.84
909-3096-SP	30"-200"	34"	Varies	Call
909-3110-30	30"-32"	40"	64"	\$669.36
909-3110-34	33"-35"	40"	70"	\$669.36
909-3110-38	36"-38"	40"	76"	\$669.36
909-3110-40	39"-41"	40"	82"	\$669.36
909-3110-42	42"-44"	40"	88"	\$669.36
909-3110-46	45"-47"	40"	94"	\$669.36
909-3110-48	48"-50"	40"	100"	\$669.36
909-3110-52	51"-53"	40"	106"	\$1,332.84
909-3110-54	54"-56"	40"	112"	\$1,332.84
909-3110-SP	30"-200"	40"	Varies	Call

GAL Canada
Hangers

DOOR EQUIPMENT

Hall Door Track Assemblies - 909 Series

Hall Door Track and Hanger Assemblies

Single Speed - Ung geared

Please refer to the G.A.L. Car & Hatch Hanger Isometric Drawings on page 141-151 for details.

Part No.	S/S	Track Length	CAD Price
909-7124L/R	22"-34"	46"	\$107.16
909-7127L/R	25"-27"	52"	\$107.16
909-7130L/R	28"-30"	58"	\$107.16
909-7133L/R	31"-33"	64"	\$107.16
909-7136L/R	34"-36"	70"	\$107.16

Part No.	S/S	Track Length	CAD Price
909-7139L/R	37"-39"	76"	\$107.16
909-7142L/R	40"-42"	82"	\$107.16
909-7145L/R	43"-45"	88"	\$171.00
909-7148L/R	46"-48"	94"	\$171.00

Two Speed - Geared

Please refer to the G.A.L. Car & Hatch Hanger Isometric Drawings on page 141-151 for details.

Part No.	2/SP	Track Length	CAD Price
909-7230L-G	30"	46"	\$359.10
909-7230R-G	30"	46"	\$359.10
909-7232L-G	31"-32"	48"	\$359.10
909-7232R-G	31"-32"	48"	\$359.10
909-7234L-G	33"-34"	52"	\$359.10
909-7234R-G	33"-34"	52"	\$359.10
909-7236L-G	35"-36"	54"	\$359.10
909-7236R-G	35"-36"	54"	\$359.10
909-7238L-G	37"-38"	58"	\$359.10
909-7238R-G	37"-38"	58"	\$359.10

Part No.	2/SP	Track Length	CAD Price
909-7240L-G	39"-40"	60"	\$359.10
909-7240R-G	39"-40"	60"	\$359.10
909-7242L-G	41"-42"	64"	\$359.10
909-7242R-G	41"-42"	64"	\$359.10
909-7244L-G	43"-44"	66"	\$359.10
909-7244R-G	43"-44"	66"	\$359.10
909-7246L-G	45"-46"	70"	\$359.10
909-7246R-G	45"-46"	70"	\$359.10
909-7248L-G	47"-48"	72"	\$359.10
909-7248R-G	47"-48"	72"	\$359.10

Two Speed - Ung geared

Please refer to the G.A.L. Car & Hatch Hanger Isometric Drawings on page 141-151 for details.

Part No.	2/SP	Track Length	CAD Price
909-7230L-NG	30"	46"	\$235.98
909-7230R-NG	30"	46"	\$235.98
909-7232L-NG	31"-32"	48"	\$235.98
909-7232R-NG	31"-32"	48"	\$235.98
909-7234L-NG	33"-34"	52"	\$235.98
909-7234R-NG	33"-34"	52"	\$235.98
909-7236L-NG	35"-36"	54"	\$235.98
909-7236R-NG	35"-36"	54"	\$235.98
909-7238L-NG	37"-38"	58"	\$235.98
909-7238R-NG	37"-38"	58"	\$235.98

Part No.	2/SP	Track Length	CAD Price
909-7240L-NG	39"-40"	60"	\$235.98
909-7240R-NG	39"-40"	60"	\$235.98
909-7242L-NG	41"-42"	64"	\$235.98
909-7242R-NG	41"-42"	64"	\$235.98
909-7244L-NG	43"-44"	66"	\$235.98
909-7244R-NG	43"-44"	66"	\$235.98
909-7246L-NG	45"-46"	70"	\$235.98
909-7246R-NG	45"-46"	70"	\$235.98
909-7248L-NG	47"-48"	72"	\$235.98
909-7248R-NG	47"-48"	72"	\$235.98

Center Parting - Geared

Please refer to the G.A.L. Car & Hatch Hanger Isometric Drawings on page 141-151 for details.

Part No.	C/P	Track Length	CAD Price
909-7332	30"-32"	64"	\$242.82
909-7335	33"-35"	70"	\$242.82
909-7338	36"-38"	76"	\$242.82
909-7341	39"-41"	82"	\$242.82
909-7344	42"-44"	88"	\$242.82

Part No.	C/P	Track Length	CAD Price
909-7347	45"-47"	94"	\$242.82
909-7350	48"-50"	100"	\$242.82
909-7356	51"-56"	106"	\$305.52
909-7359	57"-59"	112"	\$305.52

DOOR EQUIPMENT

Door Protection - 906 Series

PANA-40

Part No.	Voltages	Nudging	Plug and Play	Light Indicators	3D Protection	Description	CAD Price
906-2033	120 VAC	N	N	N	N	PANA-40 Controller MK-1	\$350.00
906-2033-2	120 VAC	N	N	N	Y	PANA-40 Controller MK-1 3D	\$410.00
906-2034	120 VAC	Y	N	N	N	PANA-40 Controller MK-2	\$444.00
906-2034-2	120 VAC	Y	N	N	Y	PANA-40 Controller MK-2 3D	\$504.00
906-3001	120 VAC	N	N	N	N	PANA-40 Plus MK-1	\$870.00
906-3008-2	120 VAC	N	N	N	Y	PANA-40 Plus MK-1 3D	\$1,320.00
906-3008-4	120 VAC	N	N	N	Y	PANA-40 Plus MK-1 3D Ultra Slim	\$1,450.00
906-3001-2	120 VAC	N	N	N	N	PANA-40 Plus MK-1 Ultra Slim	\$1,000.00
906-3002	120 VAC	Y	N	N	N	PANA-40 Plus MK-2	\$980.00
906-3008	120 VAC	Y	N	N	Y	PANA-40 Plus MK-2 3D	\$1,430.00
906-3008-7	120 VAC	Y	N	N	Y	PANA-40 Plus MK-2 3D Ultra Slim	\$1,560.00
906-3002-2	120 VAC	Y	N	N	N	PANA-40 Plus MK-2 Ultra Slim	\$1,110.00
906-2033-1	230 VAC	N	N	N	N	PANA-40 Controller MK-1	\$350.00
906-2033-3	230 VAC	N	N	N	Y	PANA-40 Controller MK-1 3D	\$410.00
906-2034-1	230 VAC	Y	N	N	N	PANA-40 Controller MK-2	\$444.00
906-2034-3	230 VAC	Y	N	N	Y	PANA-40 Controller MK-2 3D	\$504.00
906-3001-1	230 VAC	N	N	N	N	PANA-40 Plus MK-1	\$870.00
906-3008-3	230 VAC	N	N	N	Y	PANA-40 Plus MK-1 3D	\$1,320.00
906-3008-5	230 VAC	N	N	N	Y	PANA-40 Plus MK-1 3D Ultra Slim	\$1,450.00
906-3001-3	230 VAC	N	N	N	N	PANA-40 Plus MK-1 Ultra Slim	\$1,000.00
906-3002-1	230 VAC	Y	N	N	N	PANA-40 Plus MK-2	\$980.00
906-3008-6	230 VAC	Y	N	N	Y	PANA-40 Plus MK-2 3D	\$1,430.00
906-3008-8	230 VAC	Y	N	N	Y	PANA-40 Plus MK-2 3D Ultra Slim	\$1,560.00
906-3002-3	230 VAC	Y	N	N	N	PANA-40 Plus MK-2 Ultra Slim	\$1,110.00

Part No.	Plug and Play	Light Indicators	3D Protection	Description	CAD Price
906-2030	N/A	N/A	N/A	PANA-40 Plus (Extension Cable Only)	\$70.00
902-2023-1	N/A	N/A	N/A	PANA-40 Plus 3D Mounting Blocks (1 Detector)	\$40.00
906-2022	N/A	N/A	N/A	PANA-40 Plus Lends RX/TX	\$70.00
906-2023	N/A	N/A	N/A	PANA-40 Plus Mounting Blocks (1 Detector)	\$40.00
906-2032	N	N	N	PANA-40 Plus RX (Detector Only)	\$290.00
906-2046	N	N	Y	PANA-40 Plus RX 3D (Detector Only)	\$550.00
906-2038-1	N	N	Y	PANA-40 Plus RX 3D Ultra Slim (Detector Only)	\$600.00
906-2038	N	N	N	PANA-40 Plus RX Ultra Slim (Detector Only)	\$600.00
906-2031	N	N	N	PANA-40 Plus TX (Detector Only)	\$290.00
906-2045	N	N	Y	PANA-40 Plus TX 3D (Detector Only)	\$550.00
906-2037-1	N	N	Y	PANA-40 Plus TX 3D Ultra Slim (Detector Only)	\$600.00
906-2037	N	N	N	PANA-40 Plus TX Ultra Slim (Detector Only)	\$600.00
906-2069	N/A	N/A	N/A	PANA-40 Plus Ultra Slim Lends RX/TX	\$70.00

PANACHROME

Part No.	Voltages	Nudging	Plug and Play	Light Indicators	3D Protection	Description	CAD Price
906-3015	120/230 VAC	Y	N	Y	Y	PANACHROME 3D	\$1,990.00
906-3015-3	120/230 VAC	Y	N	Y	Y	PANACHROME (Controller Only)	\$976.80
906-3015-4	N/A	Y	N	Y	Y	PANACHROME Extension Cable	\$100.00
906-2080	N/A	N/A	N/A	N/A	N/A	PANACHROME Lends RX/TX	\$140.00
906-3015-2	N/A	Y	N	Y	Y	PANACHROME RX (Detector Only)	\$621.60
906-3015-1	N/A	Y	N	Y	Y	PANACHROME TX (Detector Only)	\$621.60

GAL Canada
Door Protection

DOOR EQUIPMENT**Door Protection - 906 Series***Elite 640*

Part No.	Voltages	Nudging	Plug and Play	Light Indicators	3D Protection	Description	CAD Price
906-3012	120/230 VAC	N	Y	N	N	Elite 640 System	\$650.00
906-3014	120/230 VAC	N	Y	N	N	Elite 640 (Power Supply Only)	\$70.00
906-3013	N/A	N	Y	N	N	Elite 640 Detector Set TX/RX	\$580.00
906-2081	N/A	N/A	N/A	N/A	N/A	Elite 640 Lends RX/TX	\$140.00

Elite Replacement Cable

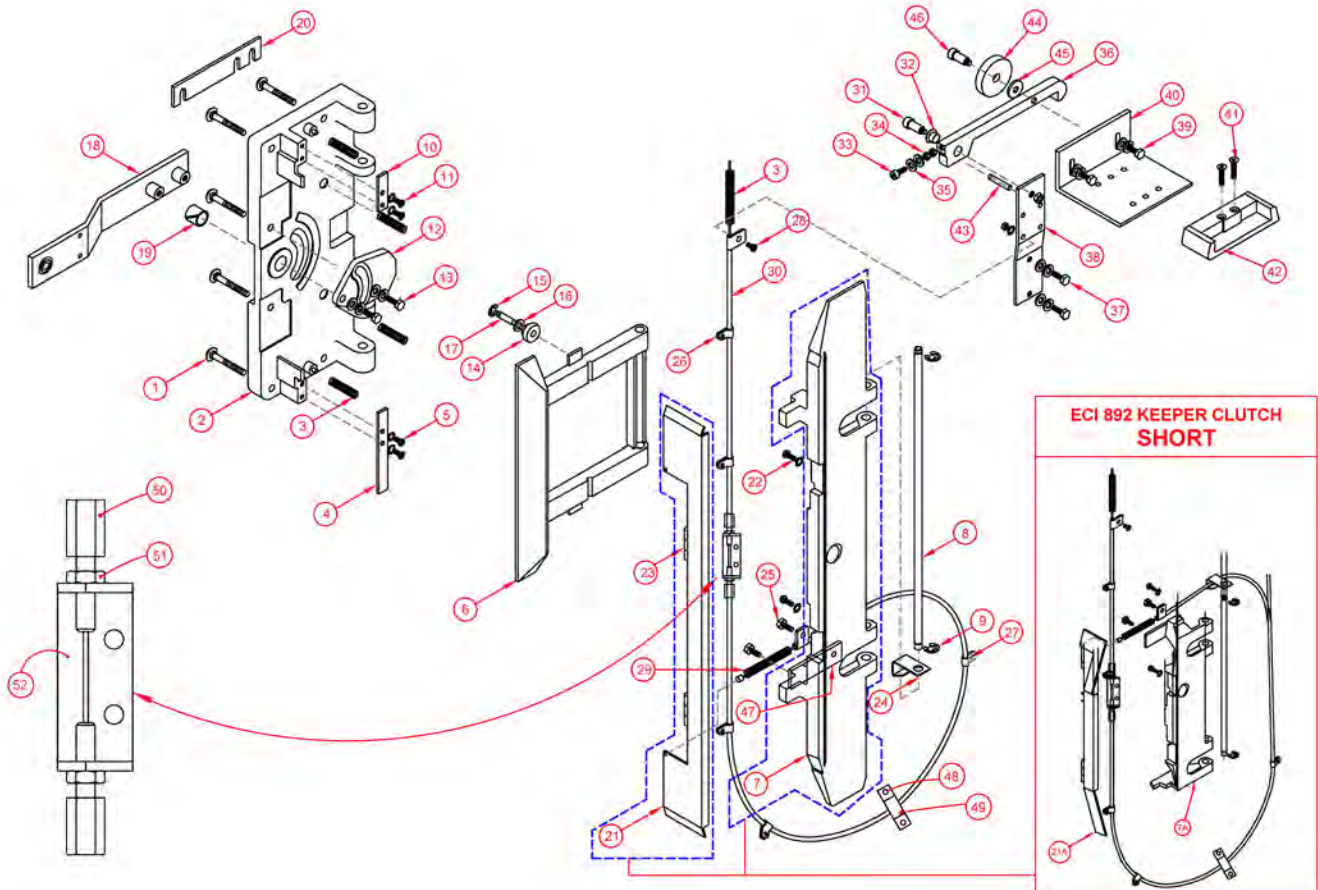
Part No.	Voltages	Nudging	Plug and Play	Light Indicators	3D Protection	Description	CAD Price
906-2070	N/A	N/A	N/A	N/A	N/A	Elite Replacement Cable TX	\$70.00
906-2071	N/A	N/A	N/A	N/A	N/A	Elite Replacement Cable RX	\$70.00

DOOR EQUIPMENT

Clutch Isometric Drawing

892 Keeper Clutch

Standard & Short



DOOR EQUIPMENT

Clutch Isometric Drawing

892 Keeper Clutch

Standard & Short

Part No.	Item No	Description	Part No.	Item No	Description
892-2020	1	Bolt, Carriage 5/16-18 x 3/4	906-2017	26	Cable Clip
892-1001	2	Clutch Base	999-3008	27	Screw, Tapping 8-16 x 1/2, FW
892-3001	1,2,7,8,9	Clutch Base Assembly	999-4003	28	Screw, 10-32 x 5/8, Nut, LW
892-1015	3	Spring	892-1015-1	29	Spring
892-1009	4	Stop Bar, Long	892-1023	30	Cable
999-4003	5	Screw, Slotted Round Head 10-32 x 5/8, LW	892-3021	24 to 30	Cable Assembly
892-3018	4,5	Stop Bar Assembly, Long	999-7014	31	Shoulder Screw, 3/8 x 5/8, Nut 5/16-18
892-3004	6,14 to 17	Short Release Bar	892-1030	32	Bearing, Plastic
892-3025	7,21 to 23	Long Release Bar	892-1027	33	Cable Screw, Socket Head Cap 1/4-28 x 7/8
892-3030	7A,21 to 23	Shorty Release Bar (For Short)	999-5013	34	Nut, Jam 1/4-28
892-1006	8	Pivot Shaft	999-2005	35	Washer, Plain 21/63 x 19/32
892-2000	9	Retaining Ring 7/16	892-1025	36	Hook
892-3011	8,9	Pivot Shaft Assembly	892-3023	31 to 36	Hook Assembly
892-1010	10	Stop Bar, Short	894-2020	37	Bolt, Hex 1/4-20 x 3/4, FW/LW
999-4003	11	Screw, Slotted Round Head 10-32 x 5/8, LW	892-1026	38	Hook Bracket
892-3019	10 & 11	Stop Bar Assembly, Short	892-3024	37,38	Hook Bracket Assembly
892-1004	12	Aluminum Cam	894-2020	39	Bolt, Hex 5/16-18 x 3/4", FW/LW
999-6002	13	Bolt, Hex 5/16 x 1" FW/LW	892-1029	40	Keeper Bracket
892-3013	12,13	Aluminum Cam Assembly	892-3027	39,40	Keeper Bracket Assembly
892-1014	14	Nylon Cam Roller	999-4010	41	Screw, C'Sunk Socket Head 10-24 x 1"
892-2001	15	Retaining Ring 5/16	892-1028	42	Keeper
892-2005	16	Washer, Plain 21/64	892-3026	41,42	Keeper Assembly
892-1013	17	Cam Roller Pin	892-3029	31 to 42	Complete Keeper Assembly
892-3007	14 to 17	Nylon Cam Roller Assembly	892-2003	43	Spring Pin (3/16 Dia. x 3/4 Lg.)
TABLE	18	Clutch Arm	892-2010	44	Keeper Hook Roller (Plastic) 1 1/2 Dia x 3/8"
892-3017	19	Nyliner	999-5009	45	Plastic Washer 5/8 OD x 5/16 ID x 1/8"
892-3016	20	Shim Package, 3 x 1/8, 9 x 1/16	999-5016	46	1/4-20 x 1/2" Shoulder Bolt
892-1021	21	Retractable Vane	892-1039	47	Retainer Plate
892-1021-1	21A	Retractable Vane (For Short)	999-3014	48	Hex Self Tap Screw
999-4009	22	Screw, Slotted Round Head 10-32 x 3/8, LW	892-1034	49	Hold Down Bracket
892-1022	23	Hinge	892-1037	50	Barrel Nut
892-3020	21 to 23	Retractable Vane Assembly	999-5022	51	Hex Jam Nut
892-1024	24	Cable Clamp	892-1035	52	Barrel Nut Mount
999-5000	25	Bolt, Hex 1/4-20 x 1/2	892-3062	50,52	Adjuster Assembly

DOOR EQUIPMENT

Clutches

Clutch Assemblies - 892 Series

Complete Clutch (Non Restrictor)

895



Part No.	Link Size	Pick Up Roller Gap	Min Running Clearance	S/S	2/SP	C/P	CAD Price
892-3000	Varies	Varies	2 5/8"	29"-200"	29"-200"	29"-200"	\$350.00
892-3005	5"	3 1/8"	3"			29"-33"	\$350.00
892-3006	6"	3 1/8"	3"	30"-34"	30"-34"	34"-49"	\$350.00
892-3008	8"	3 1/8"	3"	35"-39"	35"-39"	50"-54"	\$350.00
892-3010	10"	3 1/8"	3"	28"-29" 40"-44"	28"-29" 40"-44"		\$350.00
892-3012	12"	3 1/8"	3"	45"-54"	45"-54"		\$350.00

1000



Part No.	Link Size	Pick Up Roller Gap	Min Running Clearance	S/S	2/SP	C/P	CAD Price
892-4000	Varies	Varies	2 5/8"	29"-200"	29"-200"	29"-200"	\$350.00
892-4005	5"	3 1/8"	3"			29"-33"	\$350.00
892-4006	6"	3 1/8"	3"	30"-34"	30"-34"	34"-49"	\$350.00
892-4008	8"	3 1/8"	3"	35"-39"	35"-39"	50"-54"	\$350.00
892-4010	10"	3 1/8"	3"	28"-29" 40"-44"	28"-29" 40"-44"		\$350.00
892-4012	12"	3 1/8"	3"	45"-54"	45"-54"		\$350.00

VFE 2500



Part No.	Link Size	Pick Up Roller Gap	Min Running Clearance	S/S	2/SP	C/P	CAD Price
892-8000-1	Varies	Varies	2 5/8"	29"-200"	29"-200"	29"-200"	\$450.00
892-8005-1	5"	3 1/8"	3"			29"-33"	\$400.00
892-8006-1	6"	3 1/8"	3"	30"-34"	30"-34"	34"-49"	\$450.00
892-8008-1	8"	3 1/8"	3"	35"-39"	35"-39"	50"-54"	\$450.00
892-8010-1	10"	3 1/8"	3"	28"-29" 40"-44"	28"-29" 40"-44"		\$400.00
892-8012-1	12"	3 1/8"	3"	54"-54"	54"-54"		\$450.00

DOOR EQUIPMENT

Clutches

Clutch Assemblies - 892 Series

Keeper Clutch Assembly

895



Part No.	Link Size	Pick Up Roller Gap	Min Running Clearance	S/S	2/SP	C/P	CAD Price
892-5000	Varies	Varies	2 5/8"	29"-200"	29"-200"	29"-200"	\$400.00
892-5005	5"	3 1/8"	3"			29"-33"	\$400.00
892-5006	6"	3 1/8"	3"	30"-34"	30"-34"	34"-49"	\$400.00
892-5008	8"	3 1/8"	3"	35"-39"	35"-39"	50"-54"	\$400.00
892-5010	10"	3 1/8"	3"	28"-29" 40"-44"	28"-29" 40"-44"		\$400.00
892-5012	12"	3 1/8"	3"	45"-54"	45"-54"		\$400.00

1000



Part No.	Link Size	Pick Up Roller Gap	Min Running Clearance	S/S	2/SP	C/P	CAD Price
892-6000	Varies	Varies	2 5/8"	29"-200"	29"-200"		\$400.00
892-6005	5"	3 1/8"	3"			29"-33"	\$400.00
892-6006	6"	3 1/8"	3"	30"-34"	30"-34"	34"-49"	\$400.00
892-6008	8"	3 1/8"	3"	35"-39"	35"-39"	50"-54"	\$400.00
892-6008	Varies	Varies	2 5/8"			29"-200"	\$400.00
892-6010	10"	3 1/8"	3"	28"-29" 40"-44"	28"-29" 40"-44"		\$400.00
892-6012	12"	3 1/8"	3"	45"-54"	45"-54"		\$400.00

VFE 2500



Part No.	Link Size	Pick Up Roller Gap	Min Running Clearance	S/S	2/SP	C/P	CAD Price
892-8000	Varies	Varies	2 5/8"	29"-200"	29"-200"	29"-200"	\$450.00
892-8005	5"	3 1/8"	3"			29"-33"	\$400.00
892-8006	6"	3 1/8"	3"	30"-34"	30"-34"	34"-49"	\$450.00
892-8008	8"	3 1/8"	3"	35"-39"	35"-39"	50"-54"	\$450.00
892-8010	10"	3 1/8"	3"	28"-29" 40"-44"	28"-29" 40"-44"		\$450.00
892-8012	12"	3 1/8"	3"	45"-54"	45"-54"		\$450.00

Keeper Clutch Assembly (Short Clutch)

1000 or VFE 2500



Part No.	Link Size	Pick Up Roller Gap	Min Running Clearance	S/S	2/SP	C/P	CAD Price
892-7000	Varies	Varies	2 5/8"	29"-200"	29"-200"	29"-200"	\$400.00
892-7005	5"	3 1/8"	3"			29"-33"	\$400.00
892-7006	6"	3 1/8"	3"	30"-34"	30"-34"	34"-49"	\$400.00
892-7008	8"	3 1/8"	3"	35"-39"	35"-39"	50"-54"	\$400.00
892-7010	10"	3 1/8"	3"	28"-29" 40"-44"	28"-29" 40"-44"		\$400.00
892-7012	12"	3 1/8"	3"	45"-54"	45"-54"		\$400.00

DOOR EQUIPMENT

Clutches

Clutch Parts - 892 Series

Hardware

Clutch Arm Assembly



Part No.	Where Used	Link Size	CAD Price
892-3015-5	ECI 895	5"	\$26.50
892-3015-6	ECI 895	6"	\$26.50
892-3015-10	ECI 895	10"	\$26.50
892-3015-12	ECI 895	12"	\$26.50
892-3015-14	ECI 895	14"	\$26.50
892-4015-5	ECI 1000	5"	\$26.50
892-4015-6	ECI 1000	6"	\$26.50
892-4015-8	ECI 1000	8"	\$26.50
892-4015-10	ECI 1000	10"	\$26.50

Part No.	Where Used	Link Size	CAD Price
892-4015-12	ECI 1000	12"	\$26.50
892-4015-14	ECI 1000	14"	\$26.50
892-3040-5	VFE 2500-HH	5"	\$63.00
892-3040-6	VFE 2500-HH	6"	\$63.00
892-3040-10	VFE 2500-HH	10"	\$63.00
892-3040-12	VFE 2500-HH	12"	\$63.00
892-3040-14	VFE 2500-HH	14"	\$63.00
892-3015-8	ECI 895, VFE 2500-HL, VFE 2500-LL	8"	\$26.50
892-3040-8	ECI 895, VFE 2500-HL, VFE 2500-LL	8"	\$63.00

Release Bar (Short)



Part No.	Pick Up Roller Gap	CAD Price
892-3004-1	1 5/8"	\$53.50
892-3004	3 1/8"	\$53.50
892-3004-2	4 1/8"	\$53.50
892-3004-3*	Varies	\$53.50

892-3001



Clutch Base Assembly
CAD Price: Call

892-3007



Nylon Cam Roller Assembly
CAD Price: \$12.50

892-3013



Aluminum Cam Assembly
CAD Price: \$13.00

892-3021



Cable Assembly
CAD Price: \$65.00

892-3023



Complete Hook & Bkt. Assembly
CAD Price: \$33.50

892-3025



Long Release Bar C/W Vane Assembly
CAD Price: \$165.00

892-3026



Complete Keeper Assembly
CAD Price: \$26.50

892-3029














Hook/Bkt. Assembly & Keeper Assembly
CAD Price: \$60.00

DOOR EQUIPMENT

Clutches

Clutch Parts - 892 Series

Hardware			
892-2020	892-1023	892-1015	892-3003
			
Bolt, Carriage, 6X 5/16-18 X 2", Lock Washers, Flat Washers & Nuts CAD Price: \$3.70	Clutch Cable CAD Price: \$55.00	Clutch Spring (1 Pcs) CAD Price: \$4.30	Clutch Spring Set (4 Pcs) CAD Price: \$20.00
892-3017	892-2000	892-3016	2500-2003
			
Nyliner CAD Price: \$2.00	Retaining Ring - Re-43 CAD Price: \$2.00	Shim Package, 892 Clutch CAD Price: \$16.00	Precision Bearing CAD Price: \$10.90
1000-2003	895-2003	892-3020	
			
Unground Bearing CAD Price: \$7.00	Unground Bearing CAD Price: \$6.50	Vane Assembly CAD Price: \$87.50	

DOOR EQUIPMENT

Two Speed Linkage - 898 Series



G.A.L. door closers are distributed through GAL Canada. Refer to door closer section under G.A.L. to find the right part. All two speed linkage work with harmonic operator.

8 Cab Height

Part No.	2/SP	CAD Price	Part No.	2/SP	CAD Price	Part No.	2/SP	CAD Price
898-4000-11L/R	32"	\$99.00	898-4000-19L/R	49"	\$99.00	898-4000-35L/R	64"	\$99.00
898-4000-21L/R	33"	\$99.00	898-4000-20L	50"	\$99.00	898-4000-36L/R	65"	\$99.00
898-4000-31L/R	34"	\$99.00	898-4000-21L/R	51"	\$99.00	898-4000-37L/R	66"	\$99.00
898-4000-51L/R	35"	\$99.00	898-4000-22L/R	52"	\$99.00	898-4000-38L/R	67"	\$99.00
898-4000-61L/R	36"	\$99.00	898-4000-23L/R	53"	\$99.00	898-4000-39L/R	68"	\$99.00
898-4000-71L/R	37"	\$99.00	898-4000-24L/R	54"	\$99.00	898-4000-40L/R	69"	\$99.00
898-4000-81L/R	38"	\$99.00	898-4000-25L	55"	\$99.00	898-4000-41L/R	70"	\$99.00
898-4000-91L/R	39"	\$99.00	898-4000-26R	55"	\$99.00	898-4000-42L/R	71"	\$99.00
898-4000-10L/R	40"	\$99.00	898-4000-27L/R	56"	\$99.00	898-4000-43L/R	72"	\$99.00
898-4000-111L/R	41"	\$99.00	898-4000-28L/R	57"	\$99.00	898-4000-44L/R	73"	\$99.00
898-4000-121L/R	42"	\$99.00	898-4000-29L/R	58"	\$99.00	898-4000-45L/R	74"	\$99.00
898-4000-131L/R	43"	\$99.00	898-4000-30L/R	59"	\$99.00	898-4000-46L/R	75"	\$99.00
898-4000-141L/R	44"	\$99.00	898-4000-31L/R	60"	\$99.00	898-4000-47L/R	76"	\$99.00
898-4000-151L/R	45"	\$99.00	898-4000-32L/R	61"	\$99.00	898-4000-48L	77"	\$99.00
898-4000-161L/R	46"	\$99.00	898-4000-33L/R	62"	\$99.00	898-4000-49R	77"	\$99.00
898-4000-171L/R	47"	\$99.00	898-4000-34L/R	63"	\$99.00	898-4000-50L/R	78"	\$99.00
898-4000-181L/R	48"	\$99.00						

8 6" Cab Height

Part No.	2/SP	CAD Price	Part No.	2/SP	CAD Price	Part No.	2/SP	CAD Price
898-4001-11L/R	32"	\$99.00	898-4001-18L/R	48"	\$99.00	898-4001-35L/R	64"	\$99.00
898-4001-21L/R	33"	\$99.00	898-4001-19L/R	49"	\$99.00	898-4001-36L/R	65"	\$99.00
898-4001-31L/R	34"	\$99.00	898-4001-20L/R	50"	\$99.00	898-4001-37L/R	66"	\$99.00
898-4001-4R	34"	\$99.00	898-4001-21L/R	51"	\$99.00	898-4001-38L/R	67"	\$99.00
898-4001-51L/R	35"	\$99.00	898-4001-22L/R	52"	\$99.00	898-4001-39L/R	68"	\$99.00
898-4001-61L/R	36"	\$99.00	898-4001-23L/R	53"	\$99.00	898-4001-40L/R	69"	\$99.00
898-4001-71L/R	37"	\$99.00	898-4001-24L/R	54"	\$99.00	898-4001-41L/R	70"	\$99.00
898-4001-81L/R	38"	\$99.00	898-4001-25L	55"	\$99.00	898-4001-42L/R	71"	\$99.00
898-4001-91L/R	39"	\$99.00	898-4001-26R	55"	\$99.00	898-4001-43L/R	72"	\$99.00
898-4001-10L/R	40"	\$99.00	898-4001-27L/R	56"	\$99.00	898-4001-44L/R	73"	\$99.00
898-4001-111L/R	41"	\$99.00	898-4001-28L/R	57"	\$99.00	898-4001-45L/R	74"	\$99.00
898-4001-121L/R	42"	\$99.00	898-4001-29L/R	58"	\$99.00	898-4001-46L/R	75"	\$99.00
898-4001-131L/R	43"	\$99.00	898-4001-30L	59"	\$99.00	898-4001-47L/R	76"	\$99.00
898-4001-141L/R	44"	\$99.00	898-4001-31L/R	60"	\$99.00	898-4001-48L	77"	\$99.00
898-4001-151L/R	45"	\$99.00	898-4001-32L/R	61"	\$99.00	898-4001-49R	77"	\$99.00
898-4001-161L/R	46"	\$99.00	898-4001-33L/R	62"	\$99.00	898-4001-50L/R	78"	\$99.00
898-4001-171L/R	47"	\$99.00	898-4001-34L/R	63"	\$99.00			

GAL Canada
Door Closer

DOOR EQUIPMENT

Two Speed Linkage - 898 Series

9 Cab Height

Part No.	2/SP	CAD Price	Part No.	2/SP	CAD Price	Part No.	2/SP	CAD Price
898-4002-1L/R	32"	\$99.00	898-4002-18L/R	48"	\$99.00	898-4002-35L/R	64"	\$99.00
898-4002-2L/R	33"	\$99.00	898-4002-19L/R	49"	\$99.00	898-4002-36L/R	65"	\$99.00
898-4002-3L/R	34"	\$99.00	898-4002-20L/R	50"	\$99.00	898-4002-37L/R	66"	\$99.00
898-4002-4R	34"	\$99.00	898-4002-21L/R	51"	\$99.00	898-4002-38L/R	67"	\$99.00
898-4002-5L/R	35"	\$99.00	898-4002-22L/R	52"	\$99.00	898-4002-39L/R	68"	\$99.00
898-4002-6L/R	36"	\$99.00	898-4002-23L/R	53"	\$99.00	898-4002-40L/R	69"	\$99.00
898-4002-7L/R	37"	\$99.00	898-4002-24L/R	54"	\$99.00	898-4002-41L/R	70"	\$99.00
898-4002-8L/R	38"	\$99.00	898-4002-25L	55"	\$99.00	898-4002-42L/R	71"	\$99.00
898-4002-9L/R	39"	\$99.00	898-4002-26R	55"	\$99.00	898-4002-43L/R	72"	\$99.00
898-4002-10L/R	40"	\$99.00	898-4002-27L/R	56"	\$99.00	898-4002-44L/R	73"	\$99.00
898-4002-11L/R	41"	\$99.00	898-4002-28L/R	57"	\$99.00	898-4002-45L/R	74"	\$99.00
898-4002-12L/R	42"	\$99.00	898-4002-29L/R	58"	\$99.00	898-4002-46L/R	75"	\$99.00
898-4002-13L/R	43"	\$99.00	898-4002-30L	59"	\$99.00	898-4002-47L/R	76"	\$99.00
898-4002-14L/R	44"	\$99.00	898-4002-31L/R	60"	\$99.00	898-4002-48L	77"	\$99.00
898-4002-15L/R	45"	\$99.00	898-4002-32L/R	61"	\$99.00	898-4002-49R	77"	\$99.00
898-4002-16L/R	46"	\$99.00	898-4002-33L/R	62"	\$99.00	898-4002-50L/R	78"	\$99.00
898-4002-17L/R	47"	\$99.00	898-4002-34L/R	63"	\$99.00			

9 6" Cab Height

Part No.	2/SP	CAD Price	Part No.	2/SP	CAD Price	Part No.	2/SP	CAD Price
898-4003-1L/R	32"	\$99.00	898-4003-17L/R	47"	\$99.00	898-4003-34L/R	63"	\$99.00
898-4003-2L/R	33"	\$99.00	898-4003-18L/R	48"	\$99.00	898-4003-35L/R	64"	\$99.00
898-4003-3L/R	34"	\$99.00	898-4003-19L/R	49"	\$99.00	898-4003-36L/R	65"	\$99.00
898-400-4R	34"	\$99.00	898-4003-20L/R	50"	\$99.00	898-4003-37L/R	66"	\$99.00
898-4003-5L/R	35"	\$99.00	898-4003-21L/R	51"	\$99.00	898-4003-38L/R	67"	\$99.00
898-4003-6L/R	36"	\$99.00	898-4003-22L/R	52"	\$99.00	898-4003-39L/R	68"	\$99.00
898-4003-7L/R	37"	\$99.00	898-4003-23L/R	53"	\$99.00	898-4003-40L/R	69"	\$99.00
898-4003-8L/R	38"	\$99.00	898-4003-24L/R	54"	\$99.00	898-4003-41L/R	70"	\$99.00
898-4003-9L/R	39"	\$99.00	898-4003-25L	55"	\$99.00	898-4003-42L/R	71"	\$99.00
898-400-10R	40"	\$99.00	898-4003-26R	55"	\$99.00	898-4003-43L/R	72"	\$99.00
898-4003-10L	40"	\$99.00	898-4003-27L/R	56"	\$99.00	898-4003-44L/R	73"	\$99.00
898-4003-11L/R	41"	\$99.00	898-4003-28L/R	57"	\$99.00	898-4003-45L/R	74"	\$99.00
898-4003-12L/R	42"	\$99.00	898-4003-29L/R	58"	\$99.00	898-4003-46L/R	75"	\$99.00
898-4003-13L/R	43"	\$99.00	898-4003-30L	59"	\$99.00	898-4003-47L/R	76"	\$99.00
898-4003-14L/R	44"	\$99.00	898-4003-31L/R	60"	\$99.00	898-4003-48L	77"	\$99.00
898-4003-15L/R	45"	\$99.00	898-4003-32L/R	61"	\$99.00	898-4003-49R	77"	\$99.00
898-4003-16L/R	46"	\$99.00	898-4003-33L/R	62"	\$99.00	898-4003-50L/R	78"	\$99.00

DOOR EQUIPMENT

Two Speed Linkage - 898 Series

10 Cab Height

Part No.	2/SP	CAD Price	Part No.	2/SP	CAD Price	Part No.	2/SP	CAD Price
898-4004-1L/R	32"	\$99.00	898-4004-18L/R	48"	\$99.00	898-4004-35L/R	64"	\$99.00
898-4004-2L/R	33"	\$99.00	898-4004-19L/R	49"	\$99.00	898-4004-36L/R	65"	\$99.00
898-4004-3L/R	34"	\$99.00	898-4004-20L/R	50"	\$99.00	898-4004-37L/R	66"	\$99.00
898-4004-4R	34"	\$99.00	898-4004-21L/R	51"	\$99.00	898-4004-38L/R	67"	\$99.00
898-4004-5L/R	35"	\$99.00	898-4004-22L/R	52"	\$99.00	898-4004-39L/R	68"	\$99.00
898-4004-6L/R	36"	\$99.00	898-4004-23L/R	53"	\$99.00	898-4004-40L/R	69"	\$99.00
898-4004-7L/R	37"	\$99.00	898-4004-24L/R	54"	\$99.00	898-4004-41L/R	70"	\$99.00
898-4004-8L/R	38"	\$99.00	898-4004-25L	55"	\$99.00	898-4004-42L/R	71"	\$99.00
898-4004-9L/R	39"	\$99.00	898-4004-26R	55"	\$99.00	898-4004-43L/R	72"	\$99.00
898-4004-10L/R	40"	\$99.00	898-4004-27L/R	56"	\$99.00	898-4004-44L/R	73"	\$99.00
898-4004-11L/R	41"	\$99.00	898-4004-28L/R	57"	\$99.00	898-4004-45L/R	74"	\$99.00
898-4004-12L/R	42"	\$99.00	898-4004-29L/R	58"	\$99.00	898-4004-46L/R	75"	\$99.00
898-4004-13L/R	43"	\$99.00	898-4004-30L	59"	\$99.00	898-4004-47L/R	76"	\$99.00
898-4004-14L/R	44"	\$99.00	898-4004-31L/R	60"	\$99.00	898-4004-48L	77"	\$99.00
898-4004-15L/R	45"	\$99.00	898-4004-32L/R	61"	\$99.00	898-4004-49R	77"	\$99.00
898-4004-16L/R	46"	\$99.00	898-4004-33L/R	62"	\$99.00	898-4004-50L/R	78"	\$99.00
898-4004-17L/R	47"	\$99.00	898-4004-34L/R	63"	\$99.00			

Special Engineered

Note: Worksheets are required for special engineering purposes

Part No.	Cab Height	2/SP	CAD Price
898-4000-SP	8'	30"-200"	\$99.00
898-4001-SP	8' 6"	30"-200"	\$99.00
898-4002-SP	9'	30"-200"	\$99.00

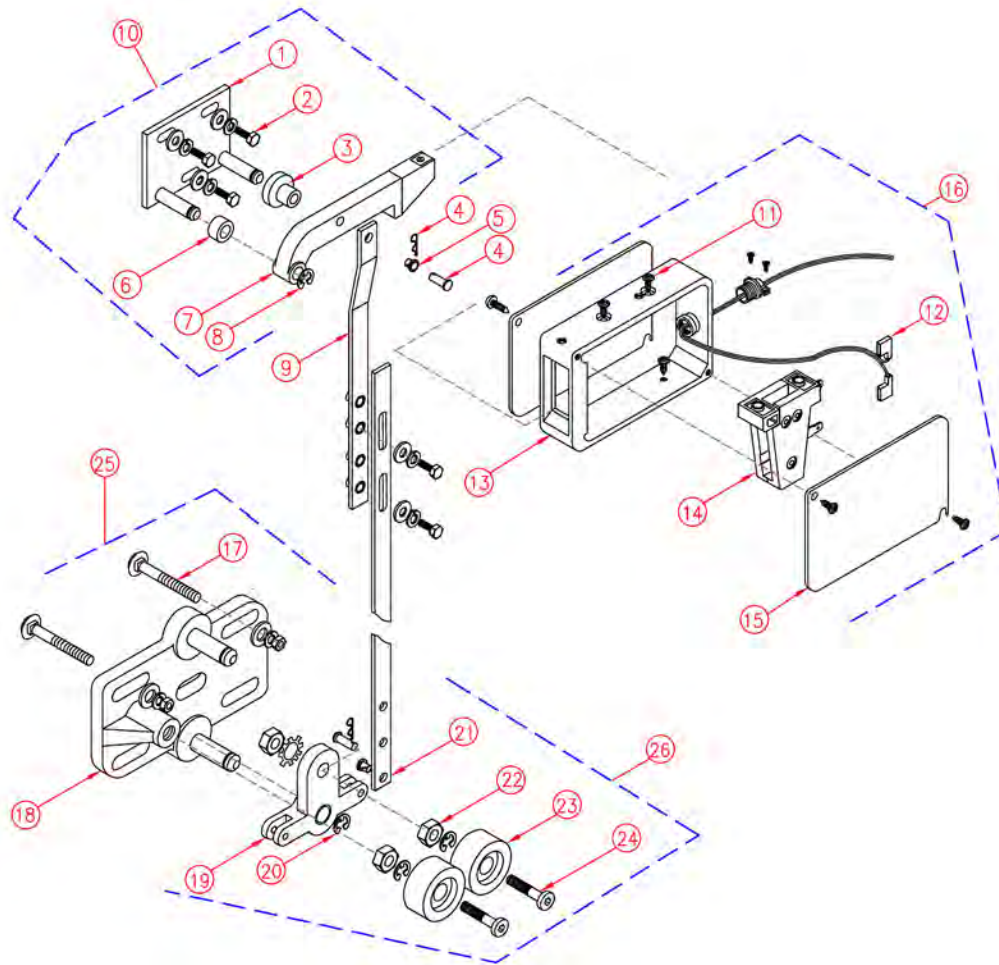
Part No.	Cab Height	2/SP	CAD Price
898-4003-SP	9' 6"	30"-200"	\$99.00
898-4004-SP	10'	30"-200"	\$99.00

DOOR EQUIPMENT

Interlock

Interlock Isometric Drawing

890 Interlock



GAL Canada
Interlock

Part No.	Item No	Description
890-3007	1	Beak Plate With Pins
890-3040	2	Beak Plate Fastener Package
890-3041	3	Rubber Beak Stop
890-3042	4	Hitch Pin & Clip
890-3043	5	4L2FF Nyliner
890-3012	6	Shaft Collar
890-3010	7	Beak
890-3011	8	C-Clip E-43
890-3009	9	Bent Linkage With Fasteners
890-3013	10	Beak Assembly- 1 To 8
890-3044	11	Switch Mtg. Screw Package
890-3003	12	Cable & Connector Set
890-3005	13	Interlock Housing
890-3004	14	Contact Housing

Part No.	Item No	Description
890-3002	15	Cover Plate With Screws
890-3006	16	Interlock Assembly
890-3045	17	Pick-Up Base Mtg. Screws
896-3021	18	Pick-Up Roller Base & Screws
896-3017	19	'T'-Section
896-3016	20	Retaining Ring Re-50
890-3014	21	Short Linkage 15-1/2"
890-3015	21	Long Linkage 27"
890-3046	22	1/2"-13 Hex. Jam Nut
896-3019	23	Pick-Up Roller
896-3047	24	Stem Screw With Nut
896-3022	25	Pick Roller Base Assembly- 17 To 24
896-3018	26	Complete 'T' Section 19 To 24

DOOR EQUIPMENT

Heavy Duty Interlock Assemblies - 890 Series



Part No.	Linkage Size	Door Style	CAD Price
890-3000-1L/R	15"	Side Slide, Two Speed, Center Parting	\$128.00
890-3001-2L/R	27"	Side Slide, Two Speed, Center Parting	\$128.00

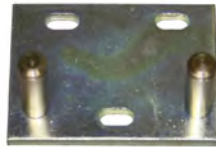
Heavy Duty Interlock Parts - 890 Series

Beak Assembly and Parts

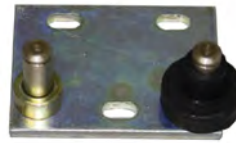
890-3013-L/R 890-3007 890-3007-1L/R 890-2026-L/R



Interlock Beak Assembly, Complete
CAD Price: \$48.00



Beak Base C/W Pins
CAD Price: \$11.00



Beak Base Complete
CAD Price: \$11.00



Beak Base Complete, Armor 4C
CAD Price: \$30.00

890-3011 890-3010 890-3037 890-3030



Beak Base Spacer
CAD Price: Call



Replacement Beak Comes With Contact
CAD Price: \$29.70



Beak Nose Assembly
CAD Price: \$13.00



Beak Mounting Bar
CAD Price: \$22.00

890-2005 890-1009 890-2028 896-3008



Beak Base "C" Clip
CAD Price: \$1.10



Beak Base Bumper
CAD Price: \$3.00



Beak Base Hardware Kit
CAD Price: \$5.00



Beak Linkage Pin And Clip
CAD Price: \$2.00

GAL Canada
Interlock

DOOR EQUIPMENT

Heavy Duty Interlock Parts - 890 Series

Beak Assembly and Parts

890-3009



Beak Bent Linkage
CAD Price: \$17.50

Pick Up Roller Assembly and Parts

896-3022-L/R



Pick Up Roller Base Assembly, Complete
CAD Price: \$84.00

896-3018



Pick Up Roller "T" Section Assembly
CAD Price: \$24.50

896-3020



Pick Up Roller Assembly
CAD Price: \$14.50

896-3019



Pick Up Roller Only
CAD Price: \$6.50

896-3024



Pick Up Roller Base Hardware Kit
CAD Price: Call

896-3016



Pick Up Roller Retaining Ring
CAD Price: \$0.50

896-2028



Pick Up Roller Mounting Plate
CAD Price: \$22.00

DOOR EQUIPMENT

Heavy Duty Interlock Parts - 890 Series

Contact Kit and Parts

890-3021



Interlock Contact Kit
CAD Price: \$53.00

890-3004



Stationary Interlock Contact
CAD Price: \$27.00

890-3004-1



Stationary Interlock Contact (Braided Wire)
CAD Price: \$29.00

Bracket

890-2027



Interlock Bracket, 1 5/8" - 2 3/8"
CAD Price: \$33.50

890-3034



Interlock Bracket, 3 1/8" - 5"
CAD Price: \$36.00

890-3024



Interlock Bracket, NEL Style
CAD Price: \$13.50

890-3025



Track Interlock Bracket
CAD Price: \$12.50

Accessories

890-3002



Interlock Cover
CAD Price: \$8.00

890-3003



Interlock Housing Wire Set
CAD Price: \$10.00

890-3014



Interlock Linkage, 15"
CAD Price: \$7.00

890-3015



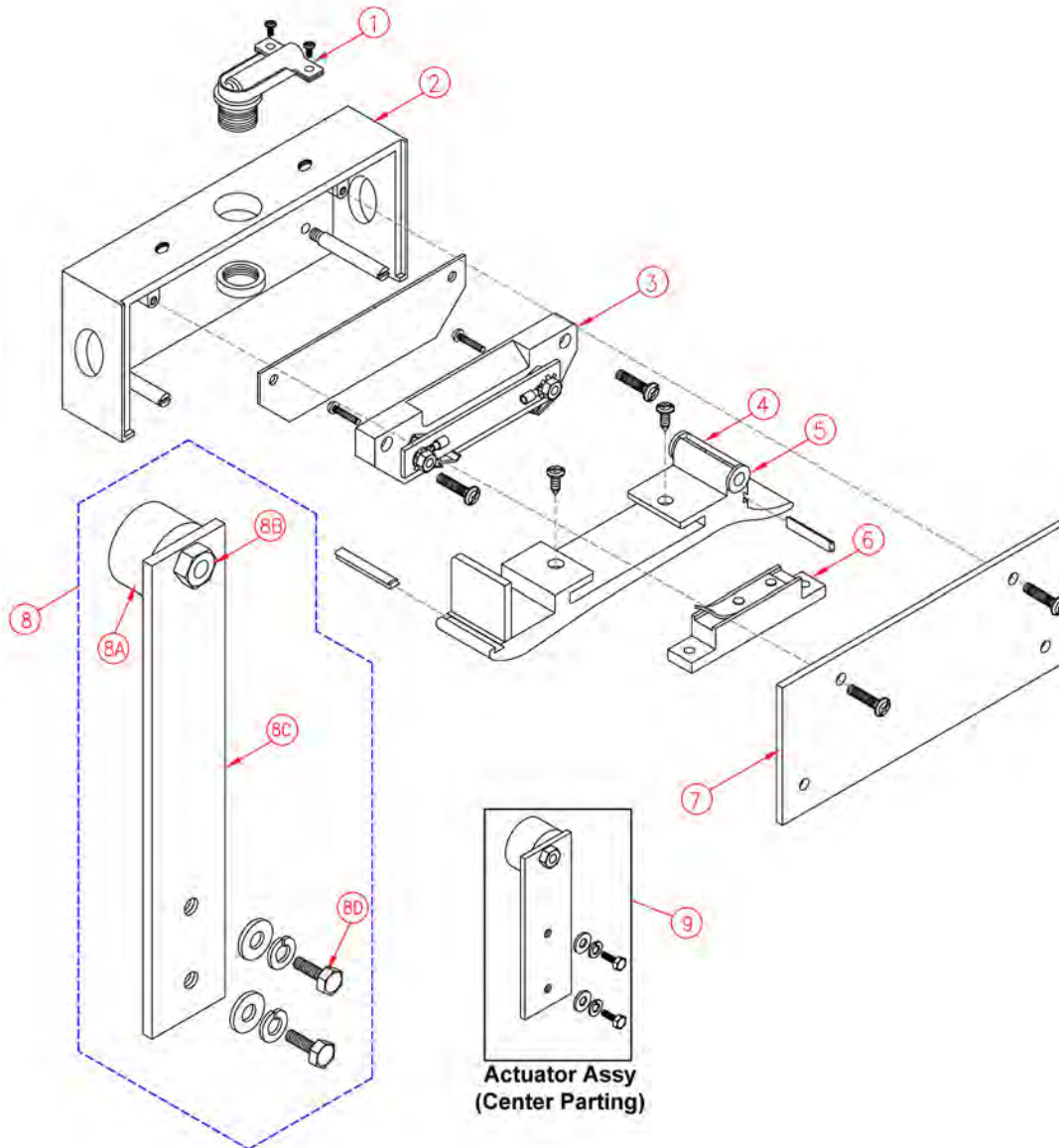
Interlock Linkage, 27"
CAD Price: \$7.50

DOOR EQUIPMENT

Gate Switch

Gate Switch Isometric Drawing

894 Gate Switch



GAL Canada
Gate Switch

Part No.	Item No	Description
895-7006	1	Elbow Connector
894-3002	2	Lock Body
894-3004	3	Contact Assembly
894-3006	4	Flipper Comes With Contact
894-3005	5	Nylon Bushings
894-3007	6	Flipper Contact
894-3003	7	Housing Cover

Part No.	Item No	Description
894-3008	8	Actuator Assembly SSL
896-1003	8A	Roller
999-7006	8B	Shoulder Screw 3/8 x 3/4, Nut
894-1122	8C	Actuator Bracket
894-2020	8D	Fastener Package
894-3009	9	Actuator Assembly C/P

DOOR EQUIPMENT

Gate Switch Assemblies - 894 Series

Compatible With Linear Operators

Side Slide & Two Speed



Part No.	CAD Price
2500-3091-2L/R	\$100.00
2500-3091-3L/R	\$100.00

Compatible With Linear Operators

Center Parting



Part No.	CAD Price
2500-3091-1L/R	\$100.00

Compatible With Universal Operators



Part No.	Door Style	CAD Price
894-3000-1L/R	Center Parting	\$90.00
894-3001-1L/R	Side Slide	\$90.00
894-3002-1L/R	Two Speed	\$90.00

Compatible With Universal Operators



Part No.	Door Style	CAD Price
894-4000-1L/R	Center Parting	\$100.00
894-4001-1L/R	Side Slide	\$100.00
894-4002-1L/R	Two Speed	\$100.00

Gate Switch Parts - 894 Series

894-3008



Actuator Assembly SSL & 2SPD
CAD Price: \$24.00

894-3009



Actuator Assembly C/P
CAD Price: \$20.00

2000-3086



Linear SSL & 2SPD Actuator Roller
CAD Price: \$20.00

2000-3087



Linear C/P Actuator Roller
CAD Price: \$20.00

896-1003-1



Actuator Roller Comes With Shoulder Screw
CAD Price: Call

2000-3078



Linear Gate Switch Bracket
CAD Price: Call

890-3025



Track Mounting Bracket For Gate Switch
CAD Price: \$12.50

894-3005



Nylon Bushings
CAD Price: \$0.50

DOOR EQUIPMENT

Gate Switch Parts - 894 Series

2000-2003	895-7006	894-3003	894-3004
			
Channel Nut, 1/4" CAD Price: \$5.50	Elbow Connector CAD Price: \$3.50	Gate Switch Housing Cover CAD Price: \$11.00	Gate Switch Contact Assembly CAD Price: \$17.00
894-1120	894-3006	894-3007	999-5019
	 Side View Top View		
Fish Paper CAD Price: Call	Flipper Comes With Contact CAD Price: \$27.00	Flipper Contact CAD Price: \$16.00	Counter Sink Screw, 1/4-20 X 3/4" CAD Price: \$0.50

Wire Rope - 908 Series

Peifer Drako 8 X 19 S-FC, RRL 3/8			
Part No.	Length	Charateristic	CAD Price
908-3750	Call for Info.	1370/1770 grade	\$2.00

Peifer Drako 8 x 19 S-FC, RRL 5/8			
Part No.	Length	Charateristic	CAD Price
908-6250	Call for Info.	1370/1770 grade	\$3.20

Swivel Head Rope Wedge Socket 1/2"		
Part No.	Length	CAD Price
908-2500	Long	Call
908-2500-1	Short	\$156.00

Peifer Drako 8 x 19 S-FC, RRL 1/2			
Part No.	Length	Charateristic	CAD Price
908-5000	Call for Info.	1370/1770 grade	\$2.40

Rope Clamp	
Part No.	CAD Price
908-3000	\$7.00

Swivel Head Rope Wedge Socket 5/8"		
Part No.	Length	CAD Price
908-2625	Short	Call
908-2625-1	Long	\$180.00



H-W

Equipment

HOLLISTER WHITNEY



TRACTION MACHINES
PAGE 625-633



GEARLESS MACHINES
PAGE 634-638



ROPE GRIPPERS
PAGE 637-640



GOVERNORS
PAGE 643-646



BRAKES
PAGE 647-649



**CAR SLINGS &
PLATFORM COUNTER
WEIGHT FRAMES**
PAGE 650-651



GUIDE SHOES
PAGE 652-655



SHEAVES
PAGE 656



BUFFERS
PAGE 657-658



SAFETIES
PAGE 659-660



ACCESSORIES
PAGE 661

TABLE OF CONTENTS (H-W)

TRACTION MACHINES-GEARED	
OVERHEAD TRACTION MACHINES	625
BASEMENT SET TRACTION MACHINES (STD)	628
BASEMENT SET TRACTION MACHINES (O.D.)	631
TRACTION MACHINES-GEARLESS	634
ROPE GRIPPERS:	
STANDARD ROPE GRIPPERS	639
GEARED ROPE GRIPPERS	642
OVERSPEED GOVERNORS & TENSION WTS	643
BRAKES & ACCESSORIES:	
DC DISC BRAKES	647
DC DRUM BRAKES	648
BRAKE SHOE ASSEMBLIES	649
BRAKE PANELS	649
ROPE GRIPPER PANEL	649
CAR SLINGS & PLATFORMS	650
COUNTERWEIGHT FRAMES	651
GUIDE SHOES:	
RIGID GUIDE SHOES	652
SWIVEL GUIDE SHOES	653
ROLLER GUIDE SHOES	654
SHEAVES	656
BUFFERS:	
OIL BUFFERS	657
SPRING BUFFERS	658
SAFETIES	659
ELEVATOR EQUIPMENT ACCESSORIES	661

Traction Machines-Geared

Overhead Traction Machines

H-W offers a complete line of heavy duty traction machines with speeds up to 500 f.p.m. The smooth running efficiency of tapered roller bearings, plus the fact that each machine is thoroughly tested before shipment, insures the best possible installation at the lowest possible cost.

Right Hand Arrangement Shown, Left Hand Arrangement Available



Shown with optional rope gripper mount

5 MODELS TO CHOOSE FROM:

MACHINE	MAXIMUM SHAFT LOAD		MACHINE WEIGHT LESS MOTOR	
	lbs	kgs	lbs	kgs
#34	11,000	4,990	1,200	544
#44	20,000	9,072	1,600	726
#54	26,000	11,793	2,300	1,043
#64	33,000	14,969	3,500	1,588
#74	60,000	27,216	5,500	2,495

Standard Equipment:
(at no extra cost)

- Direct Current Brake: #34 thru #64 Machines Furnished with Disc Brake, #74 Furnished with Drum Brake Only
- Motor Coupling Bored with Keyway
- Fabricated Steel Base
- Demountable Traction Sheave
- Demountable Bronze Gear
- Steel Worm on Integral Shaft
- Motor Mounting Pads
- Customer Name on Housing Cover
- Supplied w/ Oil

Optional Equipment:

- Drip Pans
- Mileage Recorder and Drive Assembly
- Brake Switch
- Sheave Guard
- Machine Isolation Assembly (Standard or Seismic)
- Motor Mounting in Field or by H-W
- Manual Brake Release
- Drum Brake
- Rope Gripper Mounting Provisions
- VVVF-AC Hoist Motor
- Machine Block-Up Assy.

When Ordering Overhead Traction Machines, Please Specify the Following:

- Rated Car Capacity • Rated Car Speed • Roping (1:1 or 2:1)
- Hand of Machine • Number and Size of Hoist Ropes
- Pitch of Hoist Ropes (If Deflector Exists) • Hoist Motor Manufacturer (Motor Prints Required) • Horsepower and R.P.M.
- Power Supply • Motor Mounting in Field or by H-W
- Name to be put on Upper Housing • Isolation Dimensions from Centerline of Sheave to Centerline of Beams on Either Side
- Other Optional Equipment

H-W EQUIPMENT

Traction Machines-Geared

Overhead Traction Machines

HORSEPOWER & MACHINE SELECTION CHARTS

1:1 ROPING, 40% COUNTERBALANCE													
SPEED: CAR = MACHINE													
fpm		50	75	100	125	150	200	250	300	350	400	450	500
m/s		0.25	0.38	0.51	0.64	0.76	1.02	1.27	1.52	1.78	2.03	2.29	2.54
#34	lbs	1000	454	3	3	5	5	5	7.5	10	10	12.5	
	kgs	454	206	1.4	1.4	2.3	2.3	2.3	3.4	4.5	4.5	5.6	
#43/44	lbs	1500	680	3	5	7.5	7.5	7.5	10	12.5	12.5	15	
	kgs	680	308	1.4	2.3	3.4	3.4	3.4	4.5	5.6	5.6	6.8	
#53/54	lbs	2000	907	5	7.5	7.5	10	10	12.5	15	20	20	25
	kgs	907	411	2.3	3.4	3.4	4.5	4.5	5.6	6.8	9.1	9.1	11.3
#63/64	lbs	2500	1134	5	7.5	10	12.5	12.5	15	20	25	25	30
	kgs	1134	515	2.3	3.4	4.5	5.6	5.6	6.8	9.1	11.3	11.3	13.6
#74	lbs	3000	1361	7.5	10	12.5	12.5	15	20	25	25	30	40
	kgs	1361	618	3.4	4.5	5.6	5.6	6.8	9.1	11.3	11.3	13.6	18.1
#53/54	lbs	3500	1588	7.5	10	12.5	15	20	25	25	30	40	50
	kgs	1588	720	3.4	4.5	5.6	6.8	9.1	11.3	11.3	13.6	18.1	22.7
#63/64	lbs	4000	1814	10	12.5	15	20	20	25	30	40	40	50
	kgs	1814	827	4.5	5.6	6.8	9.1	9.1	11.3	13.6	18.1	18.1	22.7
#74	lbs	4500	2041	10	12.5	20	20	25	30	40	40	50	50
	kgs	2041	926	4.5	5.6	9.1	9.1	11.3	13.6	18.1	18.1	22.7	22.7
#53/54	lbs	5000	2268	12.5	15	20	25	25	30	40	50	50	60
	kgs	2268	1030	5.6	6.8	9.1	11.3	11.3	13.6	18.1	22.7	22.7	27.2
#63/64	lbs	6000	2722	12.5	20	25	30	30	40	50	50	60	75
	kgs	2722	1238	5.6	9.1	11.3	13.6	13.6	18.1	22.7	22.7	27.2	33.9
#74	lbs	7000	3175	15	20	25	30	40	50	60	60	75	
	kgs	3175	1440	6.8	9.1	11.3	13.6	18.1	22.7	27.2	27.2	33.9	
#74	lbs	8000	3629	20	25	30	40	40	50	60	75	75	
	kgs	3629	1646	9.1	11.3	13.6	18.1	18.1	22.7	27.2	33.9	33.9	
#74	lbs	10000	4536			40	50	50	60	75			
	kgs	4536	2058			18.1	22.7	22.7	27.2	33.9			
#74	lbs	12000	5443			40	50	60	75				
	kgs	5443	2470			18.1	22.7	27.2	33.9				
#74	lbs	15000	6804			50	75	75					
	kgs	6804	3088			22.7	33.9	33.9					
#74	lbs	20000	9072			75							
	kgs	9072	4115			33.9							
CAPACITY													
CAR = MACHINE													

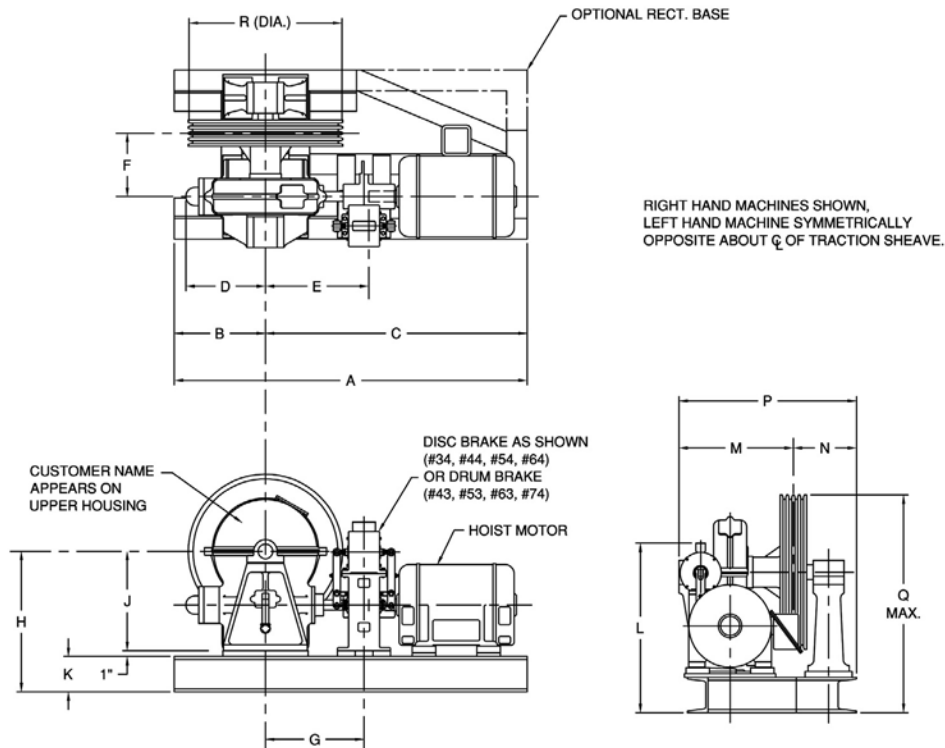
2:1 ROPING, 40% COUNTERBALANCE												
SPEED: Car = 1/2 Machine												
Car	fpm	25	50	75	100	125	150	175	200	225	250	
	m/s	0.13	0.25	0.38	0.51	0.64	0.76	0.89	1.02	1.14	1.27	
Machine	fpm	50	100	150	200	250	300	350	400	450	500	
	m/s	0.25	0.51	0.76	1.02	1.27	1.52	1.78	2.03	2.29	2.54	
#34	lbs	1000	454	2000	907	3	5	7.5	7.5	10	10	12.5
	kgs	454	206	907	411	1.4	2.3	3.4	3.4	4.5	4.5	5.6
#43/44	lbs	1500	680	3000	1361	3	7.5	10	10	12.5	15	20
	kgs	680	308	1361	618	1.4	3.4	4.5	4.5	5.6	6.8	9.1
#53/54	lbs	2000	907	4000	1814	5	7.5	12.5	15	20	20	20
	kgs	907	411	1814	827	2.3	3.4	5.6	6.8	9.1	9.1	9.1
#63/64	lbs	2500	1134	5000	2268	5	10	15	20	20	25	30
	kgs	1134	515	2268	1030	2.3	4.5	6.8	9.1	9.1	11.3	13.6
#74	lbs	3000	1361	6000	2722	7.5	12.5	20	20	25	30	40
	kgs	1361	618	2722	1238	3.4	5.6	9.1	9.1	11.3	13.6	18.1
#53/54	lbs	3500	1588	7000	3175	7.5	12.5	20	25	30	40	40
	kgs	1588	720	3175	1440	3.4	5.6	9.1	11.3	13.6	18.1	18.1
#63/64	lbs	4000	1814	8000	3629	10	15	25	30	40	40	50
	kgs	1814	827	3629	1646	4.5	6.8	11.3	13.6	18.1	18.1	22.7
#74	lbs	4500	2041	9000	4082	10	20	25	30	40	50	50
	kgs	2041	926	4082	1850	4.5	9.1	11.3	13.6	18.1	22.7	22.7
#53/54	lbs	5000	2268	10000	4536	12.5	20	30	40	40	50	60
	kgs	2268	1030	4536	2058	5.6	9.1	13.6	18.1	18.1	22.7	27.2
#63/64	lbs	6000	2722	12000	5443	12.5	25	40	40	50	60	75
	kgs	2722	1238	5443	2470	5.6	11.3	18.1	18.1	22.7	27.2	33.9
#74	lbs	7000	3175	14000	6350	15	25	40	50	60	60	75
	kgs	3175	1440	6350	2880	6.8	11.3	18.1	22.7	27.2	27.2	33.9
#74	lbs	8000	3629	16000	7257	20	30	50	60	75	75	
	kgs	3629	1646	7257	3290	9.1	13.6	22.7	27.2	33.9	33.9	
#74	lbs	10000	4536	20000	9072			40	60	75		
	kgs	4536	2058	9072	4115			18.1	27.2	33.9		
#74	lbs	12000	5443	24000	10886			40	75			
	kgs	5443	2470	10886	4935			18.1	33.9			
#74	lbs	15000	6804	30000	13608			50				
	kgs	6804	3088	13608	6180			22.7				
#74	lbs	20000	9072	40000	18144			75				
	kgs	9072	4115	18144	8270			33.9				
MACHINE CAPACITY												
CAR CAPACITY												
1/2 CAR = MACHINE												

H-W EQUIPMENT

Traction Machines-Geared

Overhead Traction Machines

DIMENSIONS: INCHES [MILLIMETERS]



Mach.	Brake	A	B	C	D	E	F	G
#34 O.H.	#92 Disc	48 [1219]	11 [279]	37 [940]	10 7/8 [276]	13 11/16 [378]	8 [203]	12 [305]
#44 O.H.	#102 Disc	60 [1524]	15 1/2 [394]	44 1/2 [1130]	13 7/8 [352]	17 9/16 [446]	10 3/4 [273]	16 3/4 [425]
#43 O.H.	#90 Drum	60 [1524]	15 1/2 [394]	44 1/2 [1130]	13 7/8 [352]	17 3/8 [441]	10 3/4 [273]	16 3/4 [425]
#54 O.H.	#102 Disc	66 [1676]	17 1/2 [445]	48 1/2 [1232]	14 3/4 [375]	17 3/4 [451]	12 3/4 [324]	15 5/8 [397]
#53 O.H.	#100 Drum	66 [1676]	17 1/2 [445]	48 1/2 [1232]	14 3/4 [375]	19 9/16 [497]	12 3/4 [324]	19 [483]
#64 O.H.	#112 Disc	72 [1829]	20 [508]	52 [1321]	18 3/8 [467]	19 7/8 [505]	13 3/8 [340]	17 5/8 [448]
#63 O.H.	#110 Drum	78 [1981]	20 [508]	58 [1473]	18 3/8 [467]	24 3/8 [619]	13 3/8 [340]	23 3/8 [594]
#74 O.H.	#120 Drum	84 [2134]	20 [508]	64 [1626]	19 5/16 [491]	24 3/4 [629]	18 [457]	23 3/4 [603]

Mach.	Brake	H	J	K	L	M	N	P	Q	R (Dia.)	
#34 O.H.	#92 Disc	21 7/8 [556]	14 7/8 [378]	6 [152]	25 5/8 [652]	15 3/5 [396]	8 1/4 [210]	23 5/8 [600]	34 3/8 [873]	20 [508]	25 [635]
#44 O.H.	#102 Disc	23 7/8 [492]	16 7/8 [429]	6 [152]	28 7/8 [733]	20 [508]	10 3/4 [273]	30 3/4 [781]	37 7/8 [962]	20 [508]	28 [711]
#43 O.H.	#90 Drum	23 7/8 [492]	16 7/8 [429]	6 [152]	36 3/4 [933]	20 [508]	10 3/4 [273]	30 3/4 [781]	37 7/8 [962]	20 [508]	28 [711]
#54 O.H.	#102 Disc	26 3/4 [679]	19 3/4 [502]	6 [152]	30 5/8 [778]	23 3/4 [603]	15 [381]	38 3/4 [984]	41 3/4 [1060]	20 [508]	30 [762]
#53 O.H.	#100 Drum	26 3/4 [679]	19 3/4 [502]	6 [152]	39 [990]	23 3/4 [603]	15 [381]	38 3/4 [984]	41 3/4 [1060]	20 [508]	30 [762]
#64 O.H.	#112 Disc	33 1/4 [845]	24 1/4 [641]	8 [203]	34 1/2 [876]	25 1/2 [678]	16 1/8 [410]	41 5/8 [1060]	51 1/4 [1057]	25 [635]	38 [965]
#63 O.H.	#110 Drum	33 1/4 [845]	24 1/4 [641]	8 [203]	45 [1143]	25 1/2 [678]	16 1/8 [410]	41 5/8 [1060]	51 1/4 [1057]	25 [635]	38 [965]
#74 O.H.	#120 Drum	40 13/16 [1037]	29 13/16 [757]	10 [254]	46 5/8 [1184]	31 3/4 [806]	16 [406]	47 3/4 [1213]	59 13/16 [1519]	32 [813]	38 [965]

No. 74 Machine is supplied with a Drum Brake instead of Disc Type Shown

H-W EQUIPMENT

Traction Machines-Geared

Basement Set Traction Machines (STD)

These machines are designed for installation where there is insufficient room over the hatch for an overhead machine. The Standard Basement Set Machine has a narrow steel outboard stand to allow the traction wheel to project into the hatch.

Right Hand Arrangement Shown, Left Hand Arrangement Available

4 MODELS TO CHOOSE FROM:

MACHINE	MAXIMUM SHAFT LOAD		MACHINE WEIGHT LESS MOTOR	
	lbs	kgs	lbs	kgs
#44	20,000	9,072	1,600	726
#54	26,000	11,793	2,300	1,043
#64	33,000	14,969	3,500	1,588
#74	60,000	27,216	5,500	2,495



Standard Equipment (at no extra cost)

- Steel Shaft Support Block
- Narrow Steel Outboard Stand
- Direct Current Brake: #44 thru #64 Machines Furnished with Disc Brake, #74 Furnished with Drum Brake Only
- Motor Coupling Bored with Keyway
- Fabricated Steel Base
- Demountable Traction Sheave
- Demountable Bronze Gear
- Steel Worm on Integral Shaft
- Motor Mounting Pads
- Customer Name on Housing Cover
- Supplied w/ Oil

Optional Equipment:

- Drip Pans
- Mileage Recorder and Drive Assembly
- Brake Switch
- Sheave Guard
- Machine Template
- Foundation Bolts and Pipe Spacers
- Motor Mounting in Field or by H-W
- Manual Brake Release
- Drum Brake
- Rope Gripper Mounting Provisions
- VVVF-AC Hoist Motor

When Ordering Standard Basement Set Traction Machines, Please Specify The Following:

- Rated Car Capacity • Rated Car Speed • Roping (1:1 or 2:1) • Hand of Machine • Number & Size of Hoist Ropes
- Hoist Motor Manufacturer (Motor Prints Required)
- Horsepower & R.P.M. • Power Supply • Motor Mounting in Field or by H-W • Name to be put on Upper Housing
- Other Optional Equipment

Traction Machines-Geared
Basement Set Traction Machines (STD)

HORSEPOWER & MACHINE SELECTION CHARTS

		1:1 ROPING, 40% COUNTERBALANCE												
		SPEED: CAR = MACHINE												
		fpm	50	75	100	125	150	200	250	300	350	400	450	500
		m/s	0.25	0.38	0.51	0.64	0.76	1.02	1.27	1.52	1.78	2.03	2.29	2.54
#43/44	lbs	kgs												
		1000	454	3	3	5	5	7.5	7.5	10	10	12.5	15	15
	1500	680	3	5	7.5	7.5	10	12.5	12.5	15	20	20	20	30
	2000	907	5	7.5	7.5	10	12.5	15	20	20	25	25	30	40
	2500	1134	5	7.5	10	12.5	15	20	25	25	30	40	40	40
	3000	1361	7.5	10	12.5	15	15	25	30	30	40	40	50	50
	3500	1588	7.5	10	15	20	20	25	30	40	40	50	50	60
	4000	1814	10	12.5	20	20	25	30	40	40	50	50	60	75
#53/54	4500	2041	10	15	20	25	25	40	40	50	50	60	75	75
	5000	2268	12.5	20	20	25	30	40	50	50	60	60	75	
#63/64	6000	2722	12.5	20	25	30	40	50	50	60	75	75		
	7000	3175	15	25	30	40	40	50	60	75	75			
#7A	8000	3629	20	25	30	40	50	60	75	75				
	10000	4536			40	50	60	75						
	12000	5443			50	60	75							
	15000	6804			60	75								
	20000	9072			75									
CAPACITY														
CAR = MACHINE														

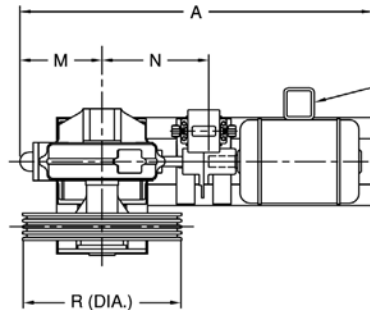
		2:1 ROPING, 40% COUNTERBALANCE												
		SPEED: Car = 1/2 Machine												
Car	fpm	25	50	75	100	125	150	175	200	225	250			
	m/s	0.13	0.25	0.38	0.51	0.64	0.76	0.89	1.02	1.14	1.27			
Machine	fpm	50	100	150	200	250	300	350	400	450	500			
	m/s	0.25	0.51	0.76	1.02	1.27	1.52	1.78	2.03	2.29	2.54			
#43/44	lbs	kgs	lbs	kgs										
		1000	454	2000	907	3	5	7.5	10	10	12.5	15	15	20
	1500	680	3000	1361	5	7.5	10	12.5	15	20	20	25	25	30
	2000	907	4000	1814	5	10	12.5	20	20	25	25	30	30	40
	2500	1134	5000	2268	7.5	12.5	15	20	25	30	30	40	40	50
	3000	1361	6000	2722	7.5	15	20	25	30	30	40	40	50	50
	3500	1588	7000	3175	10	20	25	30	30	40	40	50	50	60
	4000	1814	8000	3629	10	20	25	30	40	40	50	50	60	75
#53/54	4500	2041	9000	4082	10	20	30	40	40	50	50	60	75	75
	5000	2268	10000	4536	12.5	25	30	40	50	50	60	75	75	
#63/64	6000	2722	12000	5443	15	30	40	50	60	60	75	75		
	7000	3175	14000	6350	15	30	40	50	60	75	75			
#7A	8000	3629	16000	7257	20	40	50	60	75					
	10000	4536	20000	9072			40	60	75					
	12000	5443	24000	10886			50	75						
	15000	6804	30000	13608			60							
	20000	9072	40000	18144			75							
MACHINE CAPACITY														
CAR CAPACITY														
1/2 CAR = MACHINE														

H-W EQUIPMENT

Traction Machines-Geared

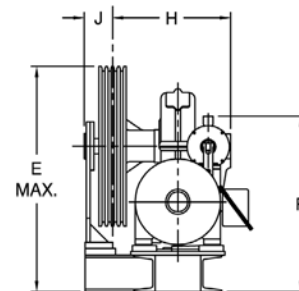
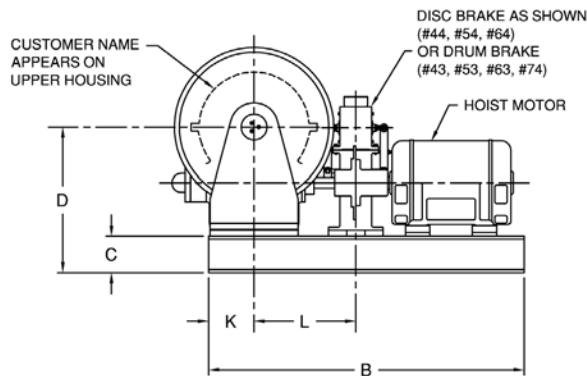
Basement Set Traction Machines (STD)

DIMENSIONS: INCHES [MILLIMETERS]



NOTE:
STANDARD LOCATION OF THE JUNCTION BOX IS ON THE RIGHT SIDE OF THE MOTOR AS SHOWN. THE JUNCTION BOX MAY BE LOCATED ON THE LEFT SIDE OF THE MOTOR IF REQUESTED BY THE CUSTOMER.

LEFT HAND MACHINE SHOWN. RIGHT HAND MACHINE SYMMETRICALLY OPPOSITE ABOUT ϕ OF TRACTION SHEAVE.



Mach.	Brake	A	B	C	D	E	F	H	J	K	L	M	N	R (Dia.)	
														Min.	Max.
#43 B.S.	#90 DRUM	58 3/8	52	6	23 7/8	37 7/8	36 3/4	20	5	7 1/2	16 3/4	13 7/8	17 3/8	20	28
		[1482]	[1321]	[152]	[606]	[962]	[933]	[508]	[127]	[191]	[425]	[352]	[441]	[508]	[711]
#44 B.S.	#102 DISC	58 3/8	52	6	23 7/8	37 7/8	28 7/8	20	5	7 1/2	16 3/4	13 7/8	17 9/16	20	28
		[1483]	[1321]	[152]	[606]	[962]	[733]	[508]	[127]	[191]	[425]	[352]	[446]	[508]	[711]
#53 B.S.	#100 DRUM	63 1/4	58	6	26 3/4	41 3/4	39	23 3/4	6 1/4	9 1/2	19	14 3/4	19 9/16	20	30
		[1607]	[1473]	[152]	[679]	[1060]	[991]	[603]	[159]	[241]	[483]	[375]	[497]	[508]	[762]
#54 B.S.	#102 DISC	63 1/4	58	6	26 3/4	41 3/4	30 5/8	23 3/4	6 1/4	9 1/2	15 5/8	14 3/4	17 3/4	20	30
		[1607]	[1473]	[152]	[679]	[1060]	[778]	[603]	[159]	[241]	[397]	[375]	[451]	[508]	[762]
#63 B.S.	#110 DRUM	73 1/4	66	8	33 1/4	51 1/4	45	25 1/2	7 3/4	11	23 3/8	18 1/4	24 3/8	25	38
		[1861]	[1676]	[203]	[845]	[1302]	[1143]	[648]	[197]	[279]	[594]	[464]	[619]	[635]	[965]
#64 B.S.	#112 DISC	73 1/4	66	8	33 1/4	51 1/4	34 1/2	25 1/2	7 3/4	11	17 5/8	18 1/4	19 7/8	25	38
		[1861]	[1676]	[203]	[845]	[1302]	[876]	[648]	[197]	[279]	[448]	[464]	[505]	[635]	[965]
#74 B.S.	#120 DRUM	82 11/16	76	10	40 11/16	59 11/16	46 5/8	31 3/4	10	12 1/2	23 3/4	19 5/16	24 3/4	32	38
		[2100]	[1930]	[254]	[1033]	[1516]	[1184]	[806]	[254]	[318]	[603]	[491]	[629]	[813]	[965]

Traction Machines-Geared

Basement Set Traction Machines (O.D.)

The O.D. machine is equipped with a deflector sheave mounted on the machine to eliminate the need for an additional sheave independently supported by the building structure.



4 MODELS TO CHOOSE FROM:

MACHINE	MAXIMUM SHAFT LOAD		MACHINE WEIGHT LESS MOTOR	
	lbs	kgs	lbs	kgs
#44	20,000	9,072	2,000	907
#54	26,000	11,793	2,700	1,225
#64	33,000	14,969	3,900	1,769
#74	60,000	27,216	5,900	2,676

Standard Equipment
(at no extra cost)

- Direct Current Disc Brake
- Motor Coupling Bored with Keyway
- Fabricated Steel Base
- Demountable Traction Sheave
- Demountable Bronze Gear
- Steel Worm on Integral Shaft
- Motor Mounting Pads
- Customer Name on Housing
- Supplied w/ Oil
- Demountable Deflector Sheave

Optional Equipment:

- Drip Pans
- Mileage Recorder and Drive Assembly
- Brake Switch
- Sheave Guard
- Machine Template
- Foundation Bolts and Pipe Spacers
- Motor Mounting in Field or by H-W
- Manual Brake Release
- Drum Brake
- Rope Gripper Mounting Provisions
- VVVF-AC Hoist Motor

When Ordering O.D. Basement Set Traction Machines, Please Specify The Following:

- Rated Car Capacity • Rated Car Speed • Roping (1:1 or 2:1) • Hand of Machine
- Number & Size of Hoist Ropes • Hoist Motor Manufacturer *(Motor Prints Required)*
- Horsepower & R.P.M. • Power Supply • Motor Mounting in Field or by H-W
- Name to be put on Upper Housing • Other Optional Equipment

H-W EQUIPMENT

Traction Machines-Geared

Basement Set Traction Machines (O.D.)

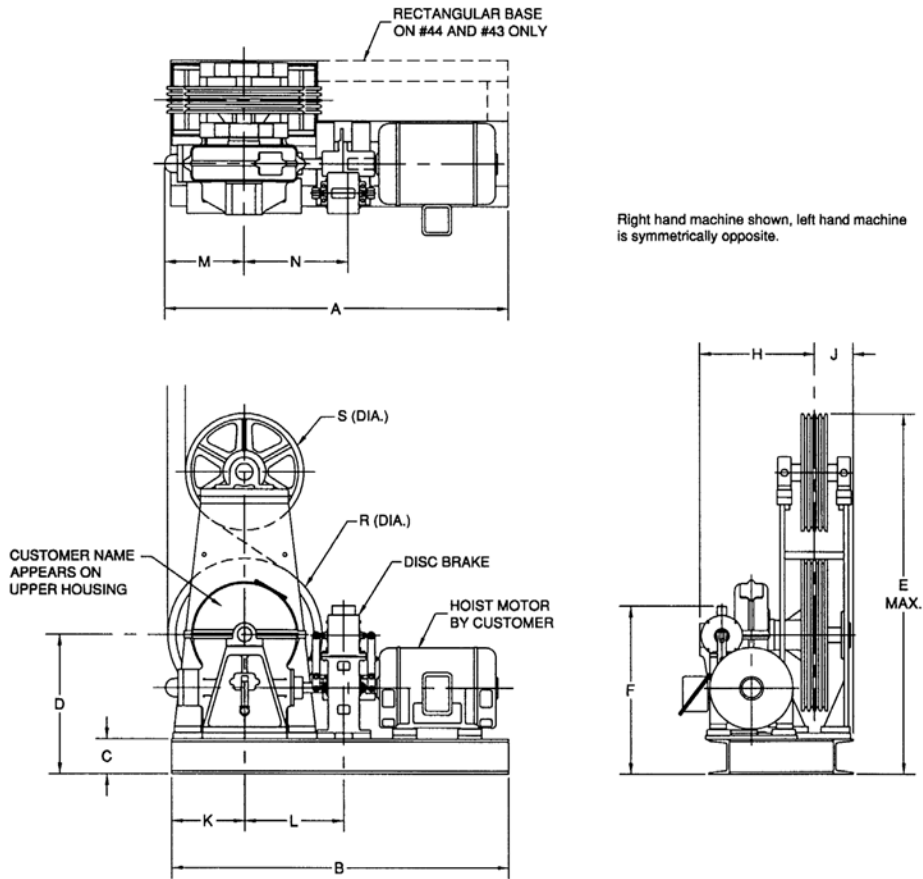
HORSEPOWER & MACHINE SELECTION CHARTS

1:1 ROPING, 40% COUNTERBALANCE													
SPEED: CAR = MACHINE													
fpm	50	75	100	125	150	200	250	300	350	400	450	500	
m/s	0.25	0.38	0.51	0.64	0.76	1.02	1.27	1.52	1.78	2.03	2.29	2.54	
#43/44	lbs	kgs											
	1000	454	3	3	5	5	7.5	7.5	10	10	12.5	15	15
	1500	680	3	5	7.5	7.5	10	12.5	12.5	15	20	20	30
	2000	907	5	7.5	7.5	10	12.5	15	20	20	25	25	40
	2500	1134	5	7.5	10	12.5	15	20	25	25	30	40	40
	3000	1361	7.5	10	12.5	15	15	25	30	30	40	40	50
	3500	1588	7.5	10	15	20	20	25	30	40	40	50	50
#53/54	4000	1814	10	12.5	20	20	25	30	40	40	50	50	60
	4500	2041	10	15	20	25	25	40	40	50	50	60	75
	5000	2268	12.5	20	20	25	30	40	50	50	60	60	75
#63/64	6000	2722	12.5	20	25	30	40	50	50	60	75	75	
	7000	3175	15	25	30	40	40	50	60	75	75		
#74													
CAPACITY CAR = MACHINE													

2:1 ROPING, 40% COUNTERBALANCE													
SPEED: Car = 1/2 Machine													
Car	fpm	25	50	75	100	125	150	175	200	225	250		
	m/s	0.13	0.25	0.38	0.51	0.64	0.76	0.89	1.02	1.14	1.27		
Machine	fpm	50	100	150	200	250	300	350	400	450	500		
	m/s	0.25	0.51	0.76	1.02	1.27	1.52	1.78	2.03	2.29	2.54		
#43/44	lbs	kgs	lbs	kgs									
	1000	454	2000	907	3	5	7.5	10	10	12.5	15	15	20
	1500	680	3000	1361	5	7.5	10	12.5	15	20	20	25	30
	2000	907	4000	1814	5	10	12.5	20	20	25	25	30	40
	2500	1134	5000	2268	7.5	12.5	15	20	25	30	30	40	40
	3000	1361	6000	2722	7.5	15	20	25	30	30	40	40	50
	3500	1588	7000	3175	10	20	25	30	30	40	40	50	50
#53/54	4000	1814	8000	3629	10	20	25	30	40	40	50	50	60
	4500	2041	9000	4082	10	20	30	40	40	50	50	60	75
	5000	2268	10000	4536	12.5	25	30	40	50	50	60	75	75
#63/64	6000	2722	12000	5443	15	30	40	50	60	60	75	75	
	7000	3175	14000	6350	15	30	40	50	60	75	75		
#74													
MACHINE CAPACITY CAR CAPACITY 1/2 CAR = MACHINE													

Traction Machines-Geared
Basement Set Traction Machines (O.D.)

DIMENSIONS: INCHES [MILLIMETERS]



Right hand machine shown, left hand machine is symmetrically opposite.

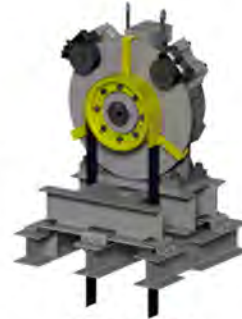
O.D. BASEMENT SET TRACTION MACHINE DIMENSIONS INCHES [MILLIMETERS]																	
MACH.	BRAKE	A	B	C	D	E	F	H	J	K	L	M	N	R(DIA.)		S(DIA.)	
														MIN.	MAX.	MIN.	MAX.
#43 O.D.	#90 DRUM	58 3/8 [1483]	57 [1448]	6 [152]	23 7/8 [606]	64 1/8 [1629]	36 3/4 [933]	20 [508]	6 3/4 [171]	12 1/2 [318]	16 3/4 [425]	13 7/8 [352]	17 1/2 [445]	20 [508]	28 [711]	20 [508]	25 [635]
#44 O.D.	#102 DISC	58 3/8 [1483]	57 [1448]	6 [152]	23 7/8 [606]	64 1/8 [1629]	28 7/8 [733]	20 [508]	6 3/4 [171]	12 1/2 [318]	16 3/4 [425]	13 7/8 [352]	17 9/16 [446]	20 [508]	28 [711]	20 [508]	25 [635]
#53 O.D.	#100 DRUM	67 1/4 [1708]	62 [1575]	6 [152]	26 3/4 [679]	70 7/8 [1800]	39 [991]	23 3/4 [603]	7 1/8 [181]	9 1/2 [241]	19 [483]	14 3/4 [375]	19 1/2 [495]	20 [508]	30 [762]	20 [508]	25 [635]
#54 O.D.	#102 DISC	67 1/4 [1708]	62 [1575]	6 [152]	26 3/4 [679]	70 7/8 [1800]	30 5/8 [778]	23 3/4 [603]	7 1/8 [181]	9 1/2 [241]	15 5/8 [397]	14 3/4 [375]	17 3/4 [451]	20 [508]	30 [762]	20 [508]	25 [635]
#63 O.D.	#110 DRUM	72 3/4 [1848]	66 [1676]	8 [203]	33 1/4 [845]	79 3/8 [2016]	45 [1143]	25 1/2 [648]	8 1/8 [206]	11 1/2 [292]	23 3/8 [594]	18 1/4 [464]	24 3/8 [619]	25 [635]	38 [965]	20 [508]	25 [635]
#64 O.D.	#112 DISC	72 3/4 [1848]	66 [1676]	8 [203]	33 1/4 [845]	79 3/8 [2016]	34 1/2 [876]	25 1/2 [648]	8 1/8 [206]	11 1/2 [292]	17 5/8 [448]	18 1/4 [464]	19 7/8 [505]	25 [635]	38 [965]	20 [508]	25 [635]
#74 O.D.	#120 DRUM	82 7/8 [2105]	76 [1930]	10 [254]	41 3/8 [1051]	90 1/2 [2299]	48 5/8 [1235]	31 1/2 [800]	10 3/4 [273]	12 1/2 [318]	23 5/8 [600]	19 3/8 [492]	24 3/4 [629]	32 [813]	38 [965]	25 [635]	26 [660]

H-W EQUIPMENT

Traction Machines-Gearless

SPECIFICATIONS

- Loads up to 4000 lbs for the 1:1 models and 5000 lbs for the 2:1 models / Speeds up to 1000 FPM
- 15" diameter sheaves for 3/8" ropes for both 1:1 and 2:1 models; 20" diameter sheave for ropes up to 1/2" for both 1:1 and 2:1 models; 25" diameter sheaves for up to 5/8" ropes for the 1:1 models
- For modernization, can maintain existing deflector sheaves in most cases
- 28 and 40 pole motors for smooth, quiet and cool operation
- 2 independent braking systems available
 - Each capable of stopping and holding 125% of capacity
 - Optional Rope Gripper® available in lieu of second brake system
- Machines use standard core traction steel hoist rope or high strength IWRC rope
- 40% counterweight on the 1:1 model and 50% counterweight on the 2:1 models
- Sealed maintenance free bearings
- Fits through a 36" wide door
- GO GREEN – Approx. 90% efficiency
 - Add regenerative drive to your controls for additional electrical savings
- Excellent ride quality
- Lower maintenance
- Custom sub-bases available; may incorporate the Gripper
- 2:1 Models are perfectly suited for MRL (Machine-Room-Less) applications
- Can be mounted overhead (down-pull) or basement (up-pull)



GL 100 With Isolation Base



GL 260 With Guard



GL130A with Isolation Base



GL171 with Deflector & Rope Gripper Sub-Base



GL171 with Build-Up Frame & 620 Gripper



GL171 with Standard Base

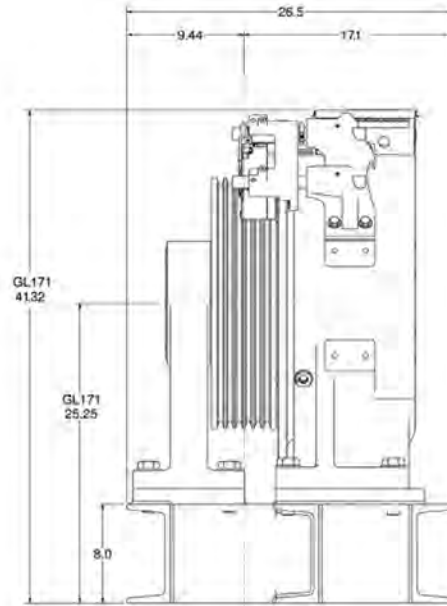
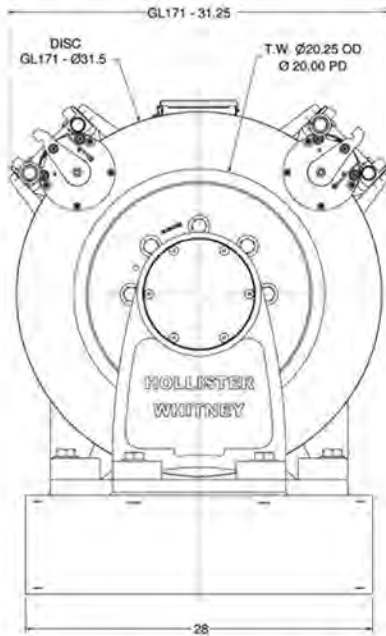


GL185 with Guard, Isolation & Rope Gripper Sub-Base

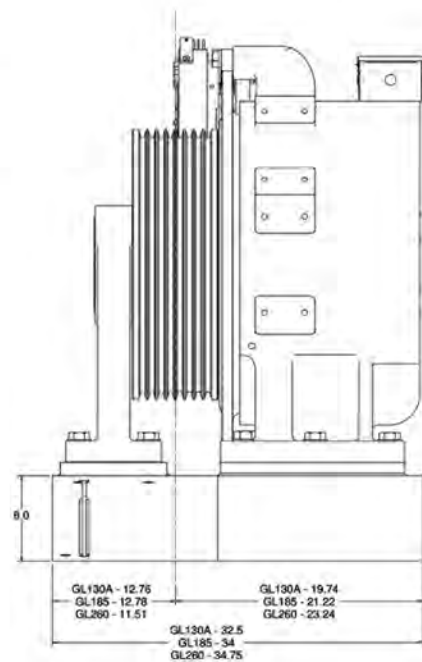
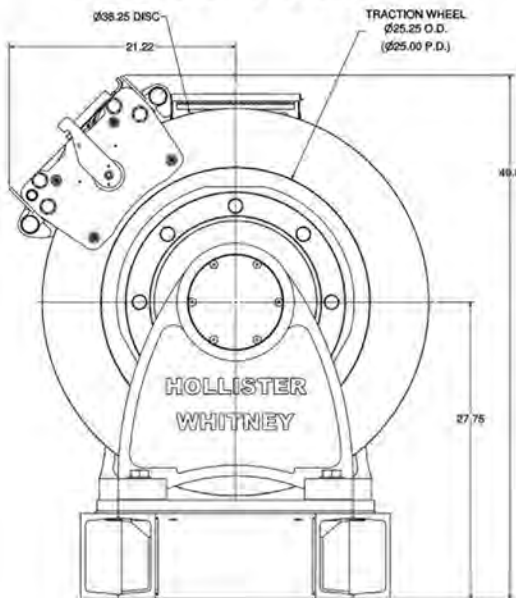
Traction Machines-Gearless

1:1 MACHINES

MODEL GL-171



MODEL GL-130A, GL-185, GL-260



H-W EQUIPMENT

Traction Machines-Gearless

Maximum System Loads:

MAXIMUM SYSTEM LOADS: Shaded boxes Represent different Sizes of Motor Windings per Machine Size

Car Speed		15" T.W.		20" T.W.				25" T.W.					
(fpm)	(m/sec)	GL171 (lbs)	GL171 (kg)	GL171 (lbs)	GL171 (kg)	GL130A (lbs)	GL130A (kg)	GL130A (lbs)	GL130A (kg)	GL185 (lbs)	GL185 (kg)	GL260 (lbs)	GL260 (kg)
50	50	25700	11650	25700	11650	24750	11200	24750	11200	23350	10500	26700	12100
100	100	25700	11650	25700	11650	24750	11200	24750	11200	23350	10500	26700	12100
150	150	25700	11650	25700	11650	24750	11200	24750	11200	23350	10500	26700	12100
200	200	25700	11650	25700	11650	24750	11200	24750	11200	23350	10500	26700	12100
250	250	25700	11650	25700	11650	24750	11200	24750	11200	22500	10200	26700	12100
300	300	25700	11650	25700	11650	24750	11200	24750	11200	21300	9600	26700	12100
350	350	25700	11650	25700	11650	24750	11200	24750	11200	20300	9200	26700	12100
400	400	25700	11650	25700	11650	24750	11200	24750	11200	19500	8800	26700	12100
450	450	25700	11650	25700	11650	24750	11200	24750	11200	18800	8500	26700	12100
500	500	25600	11600	25700	11650	24750	11200	24750	11200	18300	8300	26700	12100
550	550	24900	11300	25700	11650	24750	11200	24750	11200	17700	8000	26700	12100
600	600	24200	11000	25700	11650	24750	11200	24750	11200	17300	7800	26700	12100
650	650	23600	10700	25700	11650	24750	11200	24750	11200	16900	7600	26700	12100
700	700	23100	10500	25200	11400	24750	11200	24750	11200	16500	7400	26700	12100

Maximum Machine Ratings for 1:1 Applications:

15" SHEAVES

Model	Line Voltage	Current	Capacity 50% Counterweight		Capacity 45% Counterweight		Capacity 40% Counterweight		Car Speed		Power		Torque		Est. BTU/Hour
	(AC)		(Amps)	(lbs)	(kg)	(lbs)	(kg)	(lbs)	(kg)	(ft/min)	(m/sec.)	H.P.	kW	Ft-(lbs)	
GL171-35L	208	99	2500	1130	2250	1020	2000	900	700	3.55	34.1	25.44	1005	1360	5642
GL171-35H	460	56	2500	1130	2250	1020	2000	900	700	3.55	34.1	25.44	1005	1360	5544
GL171-20L	208	32	3000	1360	2800	1270	2600	1180	150	0.76	9.1	6.78	1254	1700	6934
GL171-20H	460	16	3000	1360	2800	1270	2600	1180	150	0.76	9.1	6.78	1254	1700	6934
GL171-40L	208	65	3000	1360	2800	1270	2600	1180	300	1.52	18.2	13.57	1254	1700	6937

20" SHEAVES

Model	Line Voltage	Current	Capacity 50% Counterweight		Capacity 45% Counterweight		Capacity 40% Counterweight		Car Speed		Power		Torque		Est. BTU/Hour
	(AC)		(Amps)	(lbs)	(kg)	(lbs)	(kg)	(lbs)	(kg)	(ft/min)	(m/sec.)	H.P.	kW	Ft-(lbs)	
GL171-35L	208	99	1875	850	1700	770	1525	690	900	4.57	34.1	25.4	1005	1360	5642
GL171-35H	460	56	1875	850	1700	770	1525	690	900	4.57	34.1	25.4	1005	1360	5642
GL171-20L	208	32	2250	1020	2125	960	2000	900	200	1.01	9.1	6.78	1254	1700	6934
GL171-20H	460	16	2250	1020	2125	960	2000	900	200	1.01	9.1	6.78	1254	1700	6934
GL171-40L	208	65	2250	1020	2125	960	2000	900	400	2.03	18.2	13.6	1254	1700	6937
GL130A-20L	208	40	2800	1270	2650	1200	2500	1130	200	1.01	11.4	8.5	1568	2125	8671
GL130A-20H	460	20	2800	1270	2650	1200	2500	1130	200	1.01	11.4	8.5	1568	2125	8671
GL130A-40L	208	85	2800	1270	2650	1200	2500	1130	400	2.03	22.8	17	1568	2125	7917

25" SHEAVES

Model	Line Voltage	Current	Capacity 50% Counterweight		Capacity 45% Counterweight		Capacity 40% Counterweight		Car Speed		Power		Torque		Est. BTU/Hour
	(AC)		(Amps)	(lbs)	(kg)	(lbs)	(kg)	(lbs)	(kg)	(ft/min)	(m/sec.)	H.P.	kW	Ft-(lbs)	
GL130A-20L	208	40	2250	1020	2125	960	2000	900	250	1.27	11.4	8.5	1568	2125	8671
GL130A-20H	460	20	2250	1020	2125	960	2000	900	250	1.27	11.4	8.5	1568	2125	8671
GL130A-40L	208	85	2250	1020	2125	960	2000	900	500	2.54	22.8	17	1568	2125	7917
GL185-35L	208	78	3400	1540	3150	1420	3000	1360	350	1.78	24	17.9	2357	3195	6789
GL185-35H	460	38	3400	1540	3150	1420	3000	1360	350	1.78	24	17.9	2357	3195	6789
GL185-50L	208	105	3400	1540	3150	1420	3000	1360	500	2.54	34.3	25.6	2357	3195	9698
GL185-50H	460	50	3400	1540	3150	1420	3000	1360	500	2.54	34.3	25.6	2357	3195	9698
GL185-70L	208	148	3400	1540	3150	1420	3000	1360	700	3.56	48	35.8	2357	3195	13577
GL260-35L	208	115	4500	2040	4250	1920	4000	1810	350	1.78	32	23.9	3138	4250	9038
GL260-35H	460	55	4500	2040	4250	1920	4000	1810	350	1.78	32	23.9	3138	4250	9038
GL260-50L	208	150	4500	2040	4250	1920	4000	1810	500	2.54	45.7	34.1	3138	4250	12911
GL260-50H	460	76	4500	2040	4250	1920	4000	1810	500	2.54	45.7	34.1	3138	4250	12911
GL260-70L	208	225	4500	2040	4250	1920	4000	1810	700	3.56	63.9	47.7	3138	4250	18076

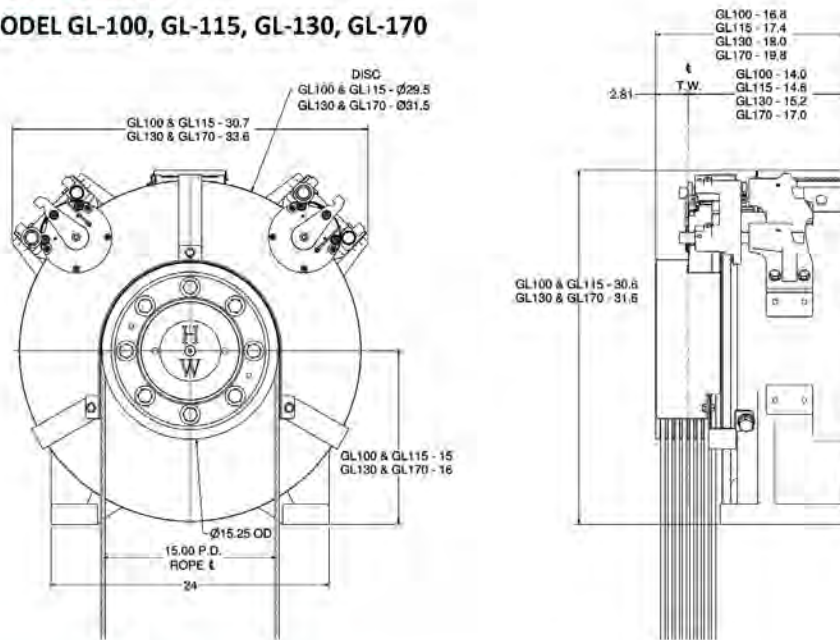
NOTE:

Consult H-W engineering for specific MACHINE | SPEED | CAPACITY combinations in yellow boxes

Traction Machines-Gearless

2:1 MACHINES

MODEL GL-100, GL-115, GL-130, GL-170



Maximum System Loads:

MAXIMUM SYSTEM LOADS									
Car Speed (fpm)	Car Speed (m/sec)	GL100 (lbs)	GL100 (kg)	GL115 (lbs)	GL115 (kg)	GL130 (lbs)	GL130 (kg)	GL170 (lbs)	GL170 (kg)
50	0.254	23500	10660	24000	10886	24500	11113	25000	11340
100	0.508	23500	10660	24000	10886	24500	11113	25000	11340
150	0.762	23500	10660	24000	10886	24500	11113	25000	11340
200	1.016	23500	10660	24000	10886	24500	11113	25000	11340
250	1.27	22700	10297	24000	10886	24000	10886	25000	11340
300	1.524	21500	9752	23450	10637	22800	10342	25000	11340
350	1.778	20500	9299	22450	10183	21800	9888	25000	11340
400	2.032	19700	8936	21450	9730	21000	9526	25000	11340
450	2.286	N/A	N/A	20850	9458	20200	9163	24700	11204
500	2.54	N/A	N/A	20050	9095	19600	8891	24100	10932
550	2.794	N/A	N/A	19650	8913	19000	8618	23300	10569
600	3.048	N/A	N/A	19050	8641	18400	8346	22700	10297
650	3.302	N/A	N/A	18650	8460	18000	8165	22100	10025
700	3.556	N/A	N/A	18250	8278	17600	7983	21700	9843
750	3.81	N/A	N/A	17850	8097	N/A	N/A	N/A	N/A
800	4.064	N/A	N/A	17450	7915	N/A	N/A	N/A	N/A
850	4.318	N/A	N/A	17250	7825	N/A	N/A	N/A	N/A
900	4.572	N/A	N/A	16850	7643	N/A	N/A	N/A	N/A
950	4.826	N/A	N/A	16650	7552	N/A	N/A	N/A	N/A
1000	5.08	N/A	N/A	16250	7371	N/A	N/A	N/A	N/A

H-W EQUIPMENT

Traction Machines-Gearless

Maximum Machine Ratings for 2:1 Applications:

15" SHEAVES

Model	Line Voltage	Current	Capacity 50% Counterweight		Car Speed		Power		Torque		Est. BTU/Hour
	(AC)		(lbs)	(kg)	(ft/min)	(m/sec.)	H.P.	kW	Ft-(lbs)	Nm	
GL100-15L	208	26	3000	1361	150	0.76	8.8	6.57	603	818	3279
GL100-15H	460	13	3000	1361	150	0.76	8.8	6.57	603	818	3309
GL100-20L	208	34	3000	1361	200	1.02	11.7	8.73	603	818	3606
GL100-20H	460	17	3000	1361	200	1.02	11.7	8.73	603	818	3569
GL115-35L	208	68	3500	1588	350	1.78	23.9	17.8	704	954	4929
GL115-35H	460	32	3500	1588	350	1.78	23.9	17.8	704	954	4858
GL115-50L	208	95	3500	1588	500	2.54	34.1	25.4	704	954	5740
GL115-50H	460	49	3500	1588	500	2.54	34.1	25.4	704	954	5839
GL130-20L	208	44	4000	1814	200	1.02	15.6	11.6	804	1090	4118
GL130-20H	460	22	4000	1814	200	1.02	15.6	11.6	804	1090	4070
GL130-35L	208	81	4000	1814	350	1.78	27.3	20.4	804	1090	5148
GL130-35H	460	38	4000	1814	350	1.78	27.3	20.4	804	1090	5228
GL170-35L	208	99	5000	2268	350	1.78	34.1	25.4	1005	1363	5642
GL170-35H	460	46	5000	2268	350	1.78	34.1	25.4	1005	1363	5544

20" SHEAVES

Model	Line Voltage	Current	Capacity 50% Counterweight		Car Speed		Power		Torque		Est. BTU/Hour
	(AC)		(lbs)	(kg)	(ft/min)	(m/sec.)	H.P.	kW	Ft-(lbs)	Nm	
GL100-15L	208	26	2250	1021	200	1.02	8.8	6.57	603	818	3279
GL100-15H	460	13	2250	1021	200	1.02	8.8	6.57	603	818	3309
GL100-20L	208	34	2250	1021	267	1.36	11.7	8.73	603	818	3606
GL100-20H	460	17	2250	1021	267	1.36	11.7	8.73	603	818	3569
GL115-35L	208	68	2625	1191	467	2.37	23.9	17.8	704	954	4929
GL115-35H	460	32	2625	1191	467	2.37	23.9	17.8	704	954	4858
GL115-50L	208	95	2625	1191	667	3.39	34.1	25.4	704	954	5740
GL115-50H	460	49	2625	1191	667	3.39	34.1	25.4	704	954	5839
GL130-20L	208	44	3000	1361	267	1.36	15.6	11.6	804	1090	4118
GL130-20H	460	22	3000	1361	267	1.36	15.6	11.6	804	1090	4070
GL130-35L	208	81	3000	1361	467	2.37	27.3	20.4	804	1090	5148
GL130-35H	460	38	3000	1361	467	2.37	27.3	20.4	804	1090	5228
GL170-35L	208	99	3750	1701	467	2.37	34.1	25.4	1005	1363	5642
GL170-35H	460	46	3750	1701	467	2.37	34.1	25.4	1005	1363	5544

H-W EQUIPMENT

Rope Grippers

Standard Rope Grippers



Rope Gripper

In recent years, there has been a great deal of discussion about the need for protection against injuries caused by elevator cars leaving the floor with the doors open and overspeeding in the up direction. That's why Hollister-Whitney introduced the Rope Gripper, a remarkable device used to grab elevator suspension ropes to stop the elevator in the event of a mechanical or electrical failure. It is imperative that if an elevator overspeeds in the up direction and/or if the elevator leaves the floor with the doors open.

The Rope Gripper has many unique features, such as a gently applied but powerful 'grip' which doesn't damage the rope or cause any undue stress to the machine or traction sheave. Protection is assured even when slipping traction occurs. The Rope Gripper provides easy alignment with adequate clearances between the rope and self grooving 'grip' linings and provides power compensation with a constant but powerful force to the rope even as the linings wear. Only four wires are required to the elevator controls and installation is simple. The Rope Gripper is mechanically activated and hydraulically reset.



Pumping Unit

		"ROPE GRIPPER" MODEL					
		#618	#620	#622	#624	#625	#626
MAX. OUT TO OUT OF CABLES:		3 3/8" (86 mm)	4 7/8" (124 mm)	6" (152 mm)	10" (254 mm)	11 1/2" (292 mm)	10" (254 mm)
POWER SUPPLY:		6A, 120V ac, 1 PH, 60 Hz					
CONTACT RATINGS:		6A, 250V ac, 0.15A, 250V dc					
1:1 ROPING	MAXIMUM RATINGS	250 fpm (1.27 m/s)	350 fpm (1.78 m/s)	600 fpm (3.05 m/s)	1,200 fpm (6.10 m/s)		
	"ROPE GRIPPER" TRIPPING SPEED:	303 fpm (1.54 m/s)	402 fpm (2.04 m/s)	690 fpm (3.51 m/s)	1,368 fpm (6.95 m/s)		
	CAR RATED LOAD: (with 40 to 50% Counterweight)	1,800 lbs (816 kg)	2,500 lbs (1,134 kg)	5,000 lbs (2,268 kg)		10,000 lbs (4,536 kg)	
	CAR, CAR LOAD, COUNTERWEIGHT, HOIST AND COMPENSATION ROPE MASS:	11,000 lbs (4,990 kg)	11,500 lbs (5,216 kg)	18,600 lbs (8,437 kg)		38,000 lbs (17,236 kg)	
	DOOR ZONE:	10 inches (254 mm) ±					
	MIN.	CAR RATED LOAD:	600 lbs (272 kg)	600 lbs (272 kg)	1,500 lbs (680 kg)		2,500 lbs (1,134 kg)
	CAR & COUNTER-WEIGHT MASS:	2,280 lbs (1,034 kg)	2,280 lbs (1,034 kg)	6,000 lbs (2,722 kg)		8,000 lbs (3,629 kg)	
2:1 ROPING	MAXIMUM RATINGS	175 fpm (.89 m/s)	250 fpm (1.27 m/s)	400 fpm (2.03 m/s)	800 fpm (4.06 m/s)		
	"ROPE GRIPPER" TRIPPING SPEED:	225 fpm (1.14 m/s)	303 fpm (1.54 m/s)	459 fpm (2.33 m/s)	921 fpm (4.68 m/s)		
	CAR RATED LOAD: (with 40 to 50% Counterweight)	3,600 lbs (1,633 kg)	5,000 lbs (2,268 kg)	10,000 lbs (4,536 kg)		20,000 lbs (9,072 kg)	
	CAR, CAR LOAD, COUNTERWEIGHT, HOIST AND COMPENSATION ROPE MASS:	22,000 lbs (9,979 kg)	23,000 lbs (10,432 kg)	38,000 lbs (17,236 kg)		76,000 lbs (34,472 kg)	
	DOOR ZONE:	10 inches (254 mm) ±					
	MIN.	CAR RATED LOAD:	1,200 lbs (544 kg)	1,500 lbs (680 kg)	2,500 lbs (1,134 kg)		5,000 lbs (2,268 kg)
	CAR & COUNTER-WEIGHT MASS:	4,560 lbs (2,068 kg)	6,000 lbs (2,722 kg)	8,000 lbs (3,629 kg)		16,000 lbs (7,258 kg)	
	SHIPPING WEIGHT:	90 lbs (41 kg)	100 lbs (45 kg)	180 lbs (82 kg)	300 lbs (136 kg)		335 lbs (152 kg)

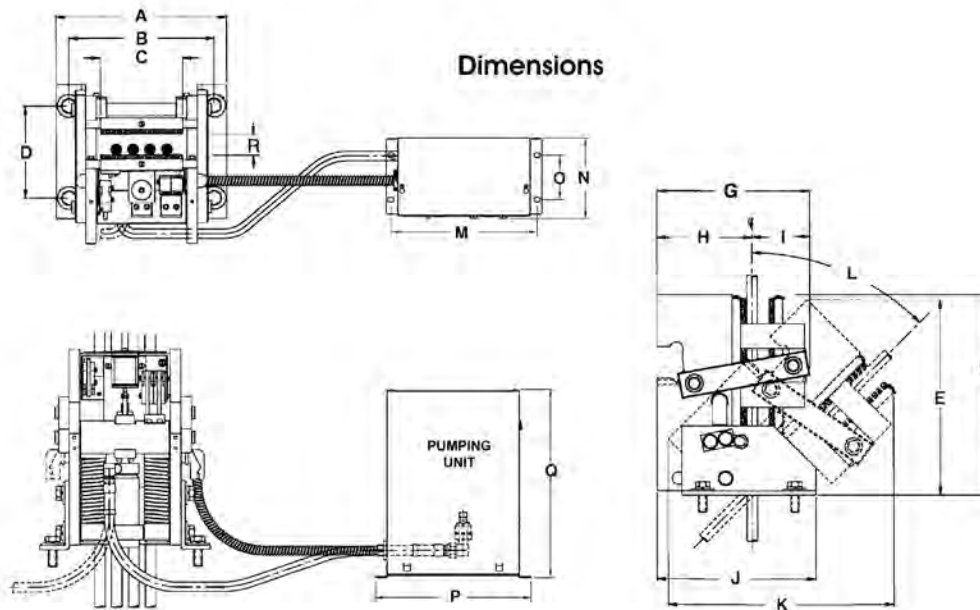
H-W EQUIPMENT

Rope Grippers

Standard Rope Grippers

Notes for Models 618, 620 & 622

- Model 618 Rope Gripper (for European use) is designed to be manually pumped and does not include a pumping unit; in the event of a power failure, a battery back-up is necessary
- Pumping units, for 620 & 622, can be mounted on either side of Rope Gripper
- (4) 1/2" bolts (Grade 5 Minimum) are required to mount Rope Gripper and (4) 1/4" – 20 N.C. bolts to mount pumping unit
- C dimension indicates lining width and maximum outside to outside of hoist ropes
- L dimension is adjustable from 0° to 45°
- R dimension is 5/8" + Rope Size



MODEL	Units	A	B	C	D	E	F	G	H	I	J	K	L	M	N	O	P	Q	R
618	inch	7	6.125	3.25	5	9.8125	9.0625	8.625	5.4375	3.1875	8.6875	12	40°	5.875	2.875	2	6.5	8.125	1.25
	mm	178	156	83	127	249	230	219	138	81	221	305		149	73	51	165	207	32
620	inch	10.125	8.625	4.875	5.5	11.6875	12	9.25	5.75	3.5	9.5	13.5	45°	11.5	6.125	3.5	12.25	14.6875	1.25
	mm	257	219	124	140	297	305	235	146	89	241	343		292	156	89	311	373	32
622	inch	11.5	10	6	5.5	14.6875	16.25	9	5.75	3.25	9.5	18.5	45°	11.5	6.125	3.5	12.25	14.6875	1.25
	mm	292	254	152	140	373	413	229	146	83	241	470		292	156	89	311	373	32

When Ordering Rope Gripper, Specify the Following:

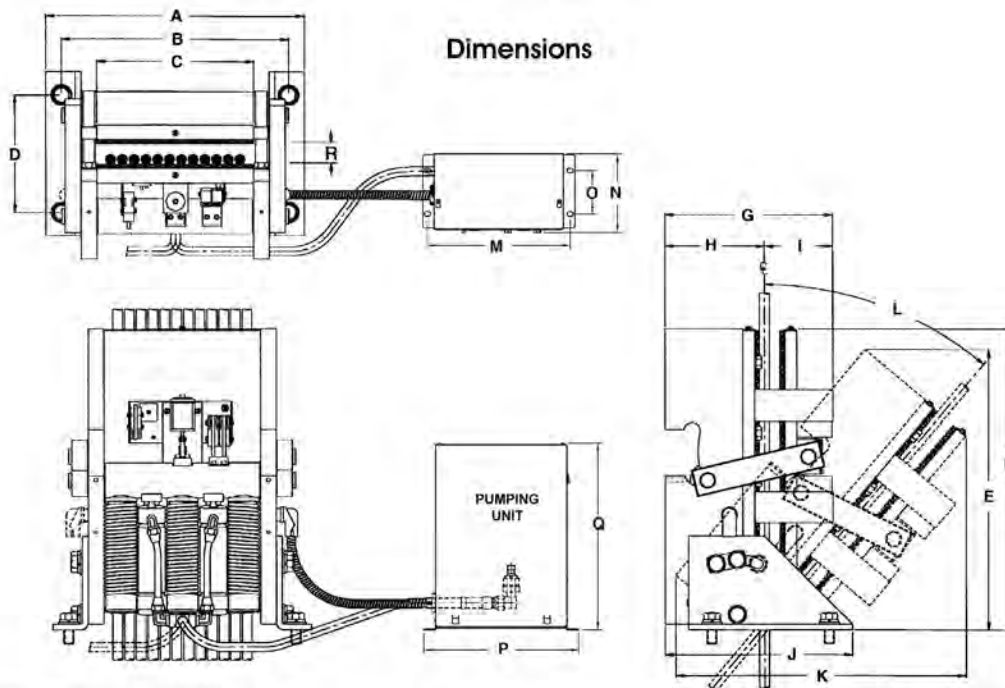
- Capacity • Car Speed • Empty Car Weight • Counterweight Weight • Rope Weight
- Compensation Weight • Number and Size of Cables • Center Line to Center Line of the Cables
- 1:1 or 2:1 Roping • Single or Double Wrap • Length of Hydraulic Hose (27" Standard, up to 96" optional)

Rope Grippers

Standard Rope Grippers

Notes for Models 624, 625 & 626

- Models 624 & 625 Rope Gripper have one less spring and cylinder than Model 626 show below
- Pumping units can be mounted on either side of the Rope Gripper
- (4) 5/8" bolts (grade 5 minimum) are required to mount Rope Gripper and (4) 1/4" – 20 N.C. bolts to mount pumping unit
- C dimension indicates lining width and maximum outside to outside of hoist ropes
- L dimension is adjustable from 0° to 40°
- R dimension is 5/8" + Rope Size



MODEL	Units	A	B	C	D	E	F	G	H	I	J	K	L	M	N	O	P	Q	R
624	inch	16.5	14.5	10	7.5	18.0625	19.625	10.75	6.375	4.375	12	18.5625	40°	11.5	6.125	3.5	12.25	14.6875	1.94
	mm	419	368	254	191	459	498	273	162	111	305	471		292	156	89	311	373	49
625	inch	18	16	11.5	7.5	18.0625	19.625	10.75	6.375	4.375	12	18.5625	40°	11.5	6.125	3.5	12.25	14.6875	1.94
	mm	457	406	292	191	459	498	273	162	111	305	471		292	156	89	311	373	49
626	inch	16.5	14.5	10	7.5	18.0625	19.625	10.75	6.375	4.375	12	18.5625	40°	11.5	6.125	3.5	12.25	14.6875	1.94
	mm	419	368	254	191	459	498	273	162	111	305	471		292	156	89	311	373	49
626 SPL	inch	20.25	18.25	13.75	7.5	18.0625	19.625	10.75	6.375	4.375	12	18.5625	40°	11.5	6.125	3.5	12.25	14.6875	1.94
	mm	514	464	349	191	459	498	273	162	111	305	471		292	156	89	311	373	49

When Ordering Rope Gripper, Specify the Following:

- Capacity • Car Speed • Empty Car Weight • Counterweight Weight • Rope Weight
- Compensation Weight • Number and Size of Cables • Center Line to Center Line of the Cables
- 1:1 or 2:1 Roping • Single or Double Wrap • Length of Hydraulic Hose (27" Standard, up to 96" optional)

H-W EQUIPMENT

Rope Grippers

Geared Rope Grippers

620G ROPE GRIPPER

Protects against ascending car overspeed and unintended car movement

- Protects against car falling up or down
- Protects against car leaving the floor with the door open
- Protects against slipping tractions

Powerful, steady pressure on ropes

- Won't damage ropes
- Won't put excessive stress on machine or sheave
- Easily replaceable, non asbestos, non metallic linings
- Brake engages ropes gently, but provides a quick, powerful grip

Compact – one piece design

- No separate Hydraulic or Air Unit
- Adjusts for almost every application
- Easy installation

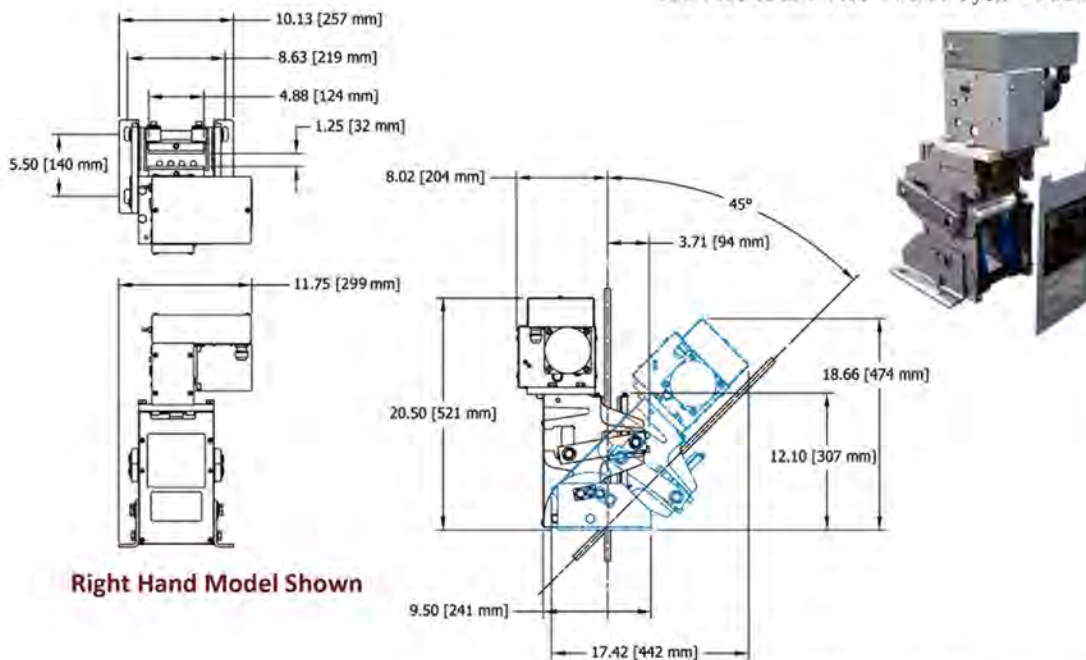
Mechanically Set

- Triggers instantly on removal of power
- Designed to protect gears from potential damage
- Quiet, dependable operation

Electrically Set

- Automatic reset when power restores
- Manual reset required if fault is detected

110 VAC or 230 VAC – 50/60 Cycle – 3 Amp



Right Hand Model Shown

		1:1 ROPING	2:1 ROPING
MAX.	Rated Speed	350 fpm(1.78 m/s)	250 fpm(1.27 m/s)
	"Rope Gripper" Tripping Speed	402 fpm(2.04 m/s)	303 fpm(1.54 m/s)
	Car Rated Load: (with 40% to 50% Counterweights)	2,500 lbs(1,134 kg)	5,000 lbs(2,268 kg)
	Car, Car Load, Counterweight, Hoist and Compensation Rope Mass	11,500 lbs(5,216 kg)	23,000 lbs(10,423 kg)
	Door Zone	± 10 in (254 mm)	± ± 10 in (254 mm)
	Maximum Out to Out of Cables	4 7/8 in (124 mm)	4 7/8 in (124 mm)
MIN.	Car Rated Load	600 lbs(272 kg)	1,500 lbs(680 kg)
	Car & Counterweight Mass	2,280 lbs(1,034 kg)	6,000 lbs(2,722 kg)

Overspeed Governors & Tension Wts

Overspeed Governor with either standard or live shaft is designed and built to meet both the ASME A17.1 code and G.S.A. specifications. Governor is tested, preset, and sealed at the factory and comes standard with an overspeed switch, rope guard, and right or left hand arrangement

Options (available at an additional charge):

- o Dusttight, watertight, and explosion proof switches
- o Speed reducing switch
- o Bracket hardware for adapting an encoder



Model 208 (Left Hand Shwon)

	MODELS			
	201 & 202	207	208	210
CAR SPEED FPM (MAX.)	500	500	800	800
TRIP SPEED FPM	625	625	970	970
SHEAVE DIAMETER	16"	12"	16"	16"
OVERSPEED SWITCH	Std.	Std.	Std.	Std.
SPEED REDUCING SWITCH	Optional	Optional	Optional	Optional
ROPE TYPE & SIZE	1/2" or 3/8" 8X19 T.S.	3/8" 8X19 T.S.	1/2" or 3/8" 8X19 T.S.	1/2" or 3/8" 8X19 T.S.
HAND	Right or Left	Right or Left	Right or Left	Right or Left
MAX. PULL-THRU	1200#	1200#	1200#	1200#
MIN. PULL-THRU	300#	300#	300#	300#
SHIPPING WEIGHT	180#	180#	180#	180#

210 Governor Restricted to 650# Hanging Load.

DEAD SHAFT MODELS		
201	207	208
201-SW	207-SW	208-SW
	207-RS	
LIVE SHAFT MODELS (FOR ENCODER MOUNTS)		
202-0.25	207-0.25	210-0.25
202-0.25-SW	207-0.25-SW	210-0.25-SW
202-0.472	207-0.25-RS	210-0.472
202-0.472-SW	207-0.472	210-0.472-SW
202-0.75-SW	207-0.472-SW	210-0.75
202-1.00	207-0.472-RS	210-0.75-SW
202-1.00-SW	207-0.75	210-1.00
	207-0.75-SW	210-1.00-SW
	207-0.75-RS	
	207-1.00	
	207-1.00-SW	
	207-1.00-RS	
SW-Speed Reducing Switch		
RS-Remote Set and Reset Capabilities		



Model 210 (Left Hand Shown)

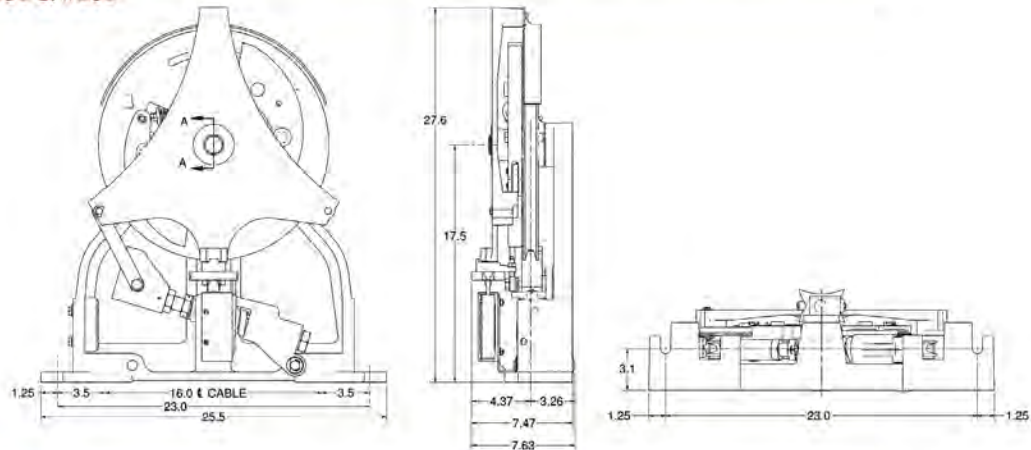
H-W EQUIPMENT

Overspeed Governors & Tension Wts

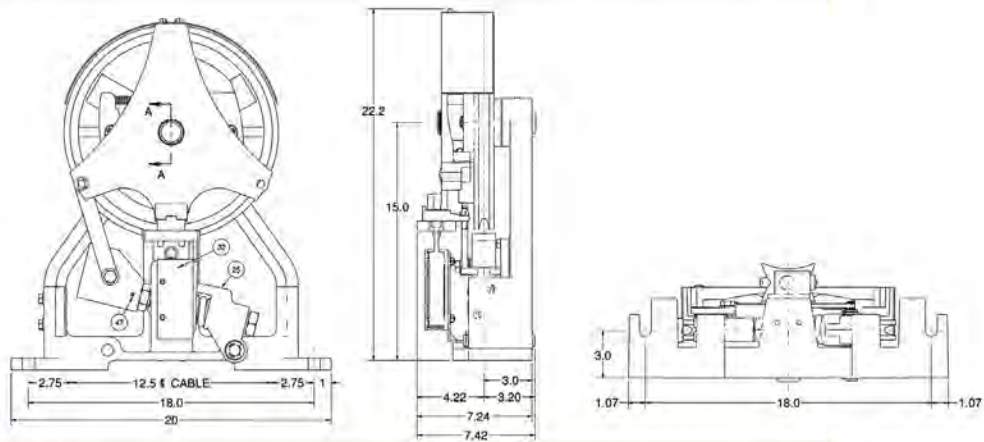
Dimensions (Inches)

Left Hand Models Shown

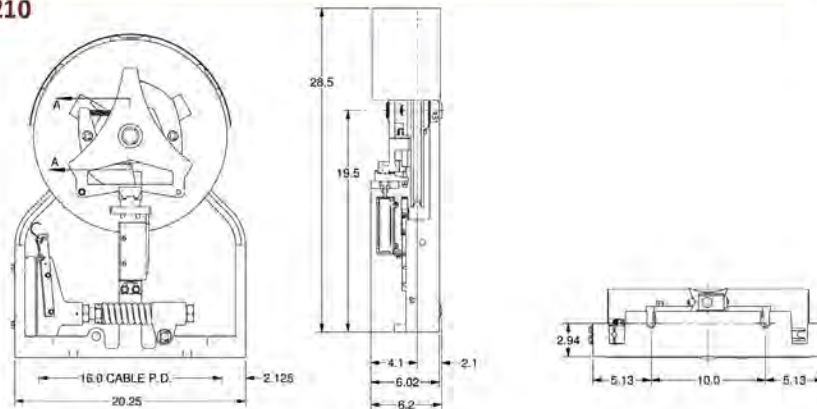
#201 & #202



#207



#208 & #210



Overspeed Governors & Tension Wts

REMOTE TRIP AND RESET GOVERNORS:

207-RS STANDARD & LIVE SHAFT GOVERNORS

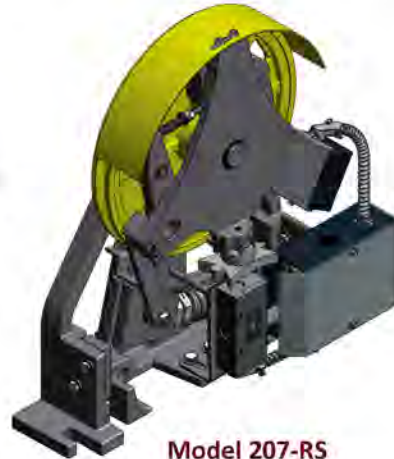
Governor Remote Reset

After the elevator has experienced an overspeed condition in which the governor tripped and set the safety, it will be necessary to reset the systems after the elevator has been deemed safe for operation.

1. To reset the governor hammer, run the car in the up direction. By moving the car up, it will release the tension on the governor rope, and the hammer can be returned to the ready to run position.
2. Once the hammer has been reset, it is necessary to reset the overspeed switch. Provided in the controller is an optional feature that will energize an electric actuator that will reset the overspeed switch to the ready run position.

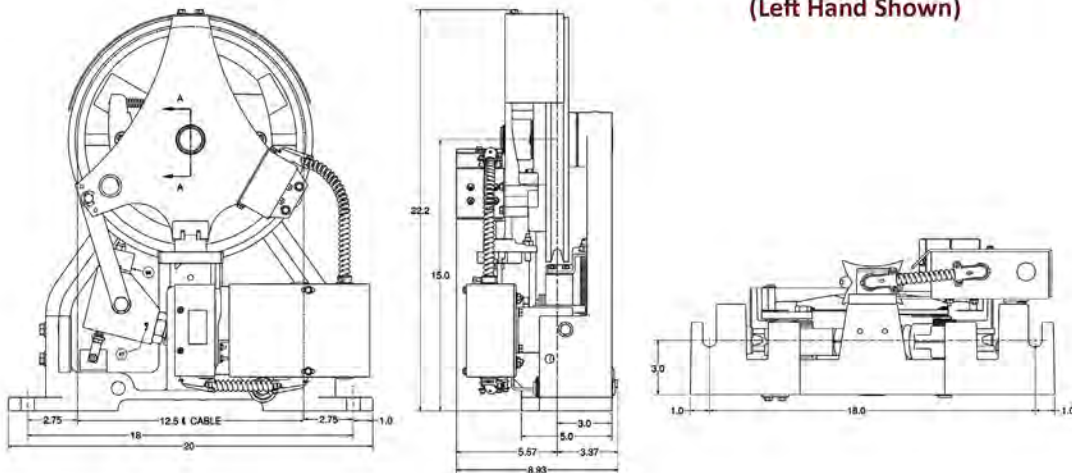
Governor Remote Trip

In a Machine-Room-Less application, if it is necessary to have a method to manually trip the governor for test and inspection purposes, the controller should provide a feature that will activate the speed trip test. For safety purposes, it is recommended that the test first be performed at a slow speed. To perform the test, run the car in the down direction, then activate the feature. This will trigger an actuator on the governor, which in turn will cause the governor to activate and set the safety. Follow the Governor Remote Reset Instructions to return the car to the ready to run state.



**Model 207-RS
(Left Hand Shown)**

Dimensions (Inches)



H-W EQUIPMENT

Overspeed Governors & Tension Wts

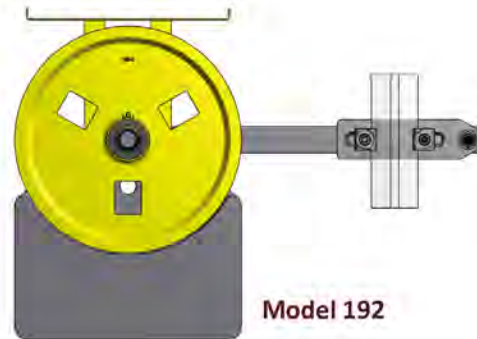
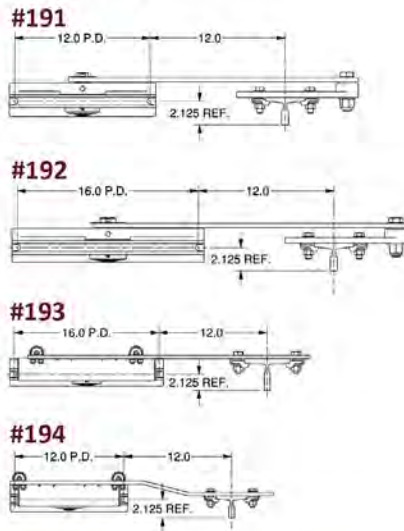
TENSION WEIGHTS:

- #191 Swing Type - 12" Dia.
- #192 Swing Type - 16" Dia.
- #193 Frame Type - 16" Dia.
- #194 Frame Type - 12" Dia.

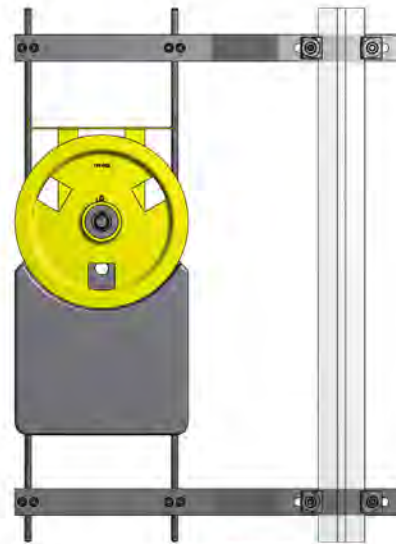
Shipping weight for Tension Weights approximately 160#

Adjustable Arms are available for some models
Guard also available

Dimensions (Inches) 8# Rail Arrangement



Model 192



Model 194

When Ordering, Please Specify the Following:

GOVERNORS:

- Tripping Speed
- Right or Left Hand Arrangement
- Safety Pull-through (in lbs.)
- Governor Rope Size

*NOTE: Maximum car travel for #209 with 3/8" rope is 500'
Maximum car travel for #209 with 1/2" rope is 300'

TENSION WEIGHTS:

- Rail Size
- Governor Size

H-W determines governor hand according to the diagram shown, which is based on governor rope location looking into the hoistway from the hallway.



H-W EQUIPMENT

Brakes & Accessories

DC Disc Brakes



Hollister-Whitney's Direct Current Disc Brakes feature a completely enclosed coil, individual spring tension adjustments, and individual stroke adjustments. They are easy to install and adjust.

Operating voltage on Brake Coil is 230 Volts D.C. (115 Volts Optional). When using 230-volt coil, voltage may be decreased to 160 volts for running and holding. For 115-volt coil, voltage may be decreased to 85 volts for running and holding. A.C. to D.C. Rectifier Panels and Transformer available.

Electrical Information

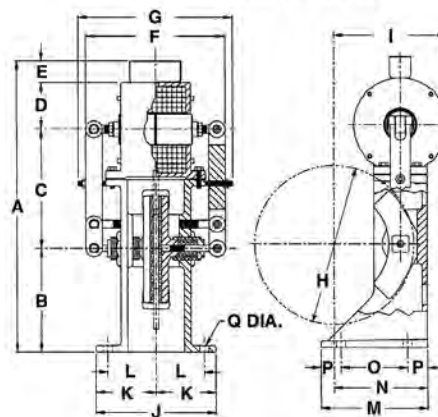
Model 92 (used on 34 machine)	
	Optional Standard
	115V 230V
Ohms	33 138
Amps	3.48 1.66
Watts	400 380

Model 102 (used on 44 & 54 machines)	
Model 112 (used on 64 machine)	
	Optional Standard
	115V 230V
Ohms	46.45 190
Amps	2.44 1.24
Watts	277 292

When Ordering Brakes, Please Specify The Following:

- Speed and Capacity of the Machine
- Distance from the Center Line of the Worm Shaft to the Top of the Bedplate
- Voltage & Type of Motor Control

DIMENSIONS (INCHES)



Brake No.	A	B	C	D	E	F	G	H	I	J	K	L	M	N	O	P	Q	Ship. Wgt.
92	18 5/8	7	7 1/16	2 15/16	1 5/8	8 15/16	11 5/8	10	7 1/16	6 1/4	3 1/8	2 5/8	6	5 5/8	4 1/2	3/4	9/16	85#
102	21 7/8	7 3/4	9	3 1/2	1 5/8	10 1/2	11 5/8	12	8 1/2	9	4 1/2	3 5/8	8	7	5	1 1/2	11/16	95#
112	25 1/2	11 3/8	9	3 1/2	1 5/8	10 1/2	11 5/8	14	9 1/2	9	4 1/2	3 5/8	8	8	5	1 1/2	11/16	100#

H-W EQUIPMENT

Brakes & Accessories

DC Drum Brakes



Hollister-Whitney offers Direct Current Brakes that feature a completely enclosed coil, individual spring tension adjustments, individual stroke adjustments, and pivot shoes with toe and heel adjustments. They are easy to install and adjust (*split frame*).

Operating voltage on Brake Coil is 230 Volts D.C. (115 Volts Optional). When using 230-volt coil, voltage may be decreased to 160 volts for running and holding. For 115-volt coil, voltage may be decreased to 85 volts for running and holding. D.C. Rectifier Panels, Transformer and Split Brake Drums available. Modifications available for non-standard drum diameters and widths.

Electrical Information

Models 80 - 111

	Optional 115V	Standard 230V
Ohms	71	280
Amps	1.63	.82
Watts	189	188

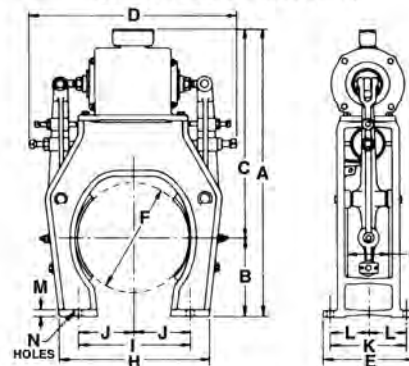
Models 115 - 125-20

	Optional 115V	Standard 230V
Ohms	84	313
Amps	1.38	.73
Watts	160	167

When Ordering Brakes, Please Specify The Following:

- Diameter and Width of Brake Drum
- Distance from the Center Line of the Brake Drum to the Top of the Bedplate
- Voltage
- Control (Single Speed, 2 Speed, V.V., or V.F.A.C.)
- Capacity and Speed
- Amount of Existing Shoe Contact on Drum

DIMENSIONS (INCHES)



Assy. No.	Brake Size	A	B	C	D	E	F	G	H	I	J	K	L	M	N	Shp. Wgt.	
80	8H	26 1/8	7 5/16	19	18	8 1/4	8	3 5/8	13 1/2	10	5	7	3 1/2	5/8	9/16	190#	
81	8L	24 1/2	5 1/2	19	18	8 1/4	8	3 5/8	14	10	5	7	3 1/2	5/8	9/16	190#	
85	9H	26 1/8	7 5/16	19	18	8 1/4	9	3 5/8	13 1/2	10	5	7	3 1/2	5/8	9/16	165#	
86	9L	24 1/2	5 1/2	19	18	8 1/4	9	3 5/8	14	10	5	7	3 1/2	5/8	9/16	165#	
90	10H	26 1/8	7 5/16	19	18	8 1/4	10	3 5/8	13 1/2	10	5	7	3 1/2	5/8	9/16	160#	
**	91	10L	24 1/2	5 1/2	19	18	8 1/4	10	3 5/8	14	10	5	7	3 1/2	5/8	9/16	160#
**	95	11H	28 1/2	9 1/2	19	19	9 3/4	11	5 1/8	16 3/4	13	6 1/2	8 1/2	4 1/4	5/8	9/16	190#
**	96	11L	25 1/2	6 1/2	19	19	9 3/4	11	5 1/8	16 7/8	13	6 1/2	8 1/2	4 1/4	5/8	9/16	190#
**	100	12H	28 1/2	9 1/2	19	19	9 3/4	12	5 1/8	16 3/4	13	6 1/2	8 1/2	4 1/4	5/8	9/16	190#
**	101	12L	25 1/2	6 1/2	19	19	9 3/4	12	5 1/8	16 7/8	13	6 1/2	8 1/2	4 1/4	5/8	9/16	190#
**	105	13H	32 1/4	11 3/8	20 7/8	20	10 1/2	13	5 1/2	19	15 1/4	7 5/8	9	4 1/2	5/8	9/16	215#
**	106	13L	28 1/4	7 1/2	20 7/8	20	10 1/2	13	5 1/2	19 1/4	15 1/4	7 5/8	9	4 1/2	5/8	9/16	215#
**	110	14H	32 1/4	11 3/8	20 7/8	20	10 1/2	14	5 1/2	19	15 1/4	7 5/8	9	4 1/2	5/8	9/16	215#
**	111	14L	28 1/4	7 1/2	20 7/8	20	10 1/2	14	5 1/2	19 1/4	15 1/4	7 5/8	9	4 1/2	5/8	9/16	215#
**	115	15H	35 5/8	13	20 7/8	23	11	15	6 1/8	20	16	8	9 3/4	4 7/8	5/8	9/16	250#
**	116	15L	31 5/8	9	20 5/8	23	11	15	6 1/8	20 3/4	16	8	9 3/4	4 7/8	5/8	9/16	250#
**	120	16H	35 5/8	13	20 5/8	23	11	16	6 1/8	20	16	8	9 3/4	4 7/8	5/8	9/16	250#
**	121	16L	31 5/8	9	20 5/8	23	11	16	6 1/8	20 3/4	16	8	9 3/4	4 7/8	5/8	9/16	250#
**	125-18	18L	35 3/8	10 1/2	20 7/8	26 1/2	11 3/8	18	6 1/8	24	20	10	10	5	3/4	13/16	280#
**	125-20	20L	35 3/8	10 1/2	20 7/8	26 1/2	11 3/8	20	6 1/8	24	20	10	10	5	3/4	13/16	280#

** These low brakes are available for pick up ONLY, at G.A.L. Bronx, New York. All brake shoes that have to be shipped to various locations must be ordered from Hollister Whitney, Quincy, Illinois.

† L: Low H: high

H-W EQUIPMENT

Brakes & Accessories

Brake Shoe Assemblies



** These brake shoes are available for pick up ONLY, at G.A.L. Bronx, New York. All brake shoes that have to be shipped to various locations must be ordered from Hollister Whitney, Quincy, Illinois.

† L: Low H: high

H-W Part No	GAL Part No	† Shoe Size
80-029A	-	8H/L
85-029A	-	9H/L
90-029A **	BRK-0038N	10H/L
95-029A **	BRK-0039N	11H/L
100-029A **	BRK-0040N	12H/L
105-029A	-	13H/L

H-W Part No	GAL Part No	† Shoe Size
110-029A **	BRK-0041N	14H/L
115-029A	-	15H/L
120-029A **	BRK-0042N	16H/L
125-18	-	18L
125-20	-	20L

Disc Brake Shoe



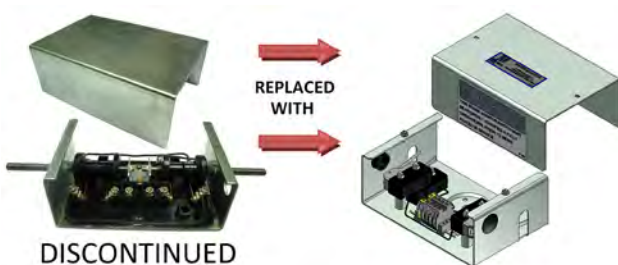
H-W Part No	Description
92-061	Disc Brake Shoe & Rod Assembly Set (#34 Machine)
102-061-RK	Disc Brake Shoe & Rod Assembly Set (Pre May 30, 2003 Machines)
102-061	Disc Brake Shoe & Rod Assembly Set (After June 1st 2003)

Brake Panels



H-W Part No	GAL Part No	Description
10019	BRK-0044N	Brake Panel, Single Phase Rectifier
10019-T	BRK-0045N	Brake Panel, Single Phase Rectifier With Transformer
10019-1	BRK-0046N	Brake Panel, Three Phase Rectifier
10019-1-T	BRK-0047N	Brake Panel, Three Phase Rectifier With Transformer

Disc Brake Monitor



H-W Part No	GAL Part No	Description
102-094	BRK3-0001N	Monitor, Disc Brake, Assembly

Rope Gripper Panel



H-W Part No	GAL Part No	Description
600-150	RG-0082N	Panel, Rope Gripper Auxiliary Controller

H-W EQUIPMENT

Car Slings & Platforms



At Hollister-Whitney we supply you with a complete line of passenger and freight car slings and platforms for both hydraulic and traction installations. Each car sling and platform assembly is supplied complete with channel stiles, crossheads, gussetts, braces, cable hitch plates (traction jobs only), cutout for sills, #26GA fireproofing on underside of wood platform, and one toe guard.

These items are available:

- Extra Toe Guards (*for double opening*)
- Isolated Platform
- Roller Guide Shoe Balance Weights
- Wood and Steel or All-Steel Platform
- Compensation Hitch
- Freight Cabs
- Vertical Rising Gates

Note: Due to the fact that equipment is quite specialized, contact our sales department for pricing. A written quotation will be furnished to meet your requirements.

When Ordering, Please Specify the Following:

For Car Slings and Platforms: Capacity • Platform Width • Platform Depth

- Distance from Front of Platform to Centerline of Car Rails • Distance Between Guides
- Type of Guide Shoes • Type of Safety • Number of Openings on Car • Cab Weight
- Underbeam to Platform Dimension • Type of Door (*Single or 2 Speed*) or Gate (*Manual or Powered*)
- Side or Corner Post • Construction of Platform (*Wood and Steel or All-Steel*)
- Car Sill Detail for All-Steel Platform • Classification (*Passenger, Class A, B, C-1, C-2, or C-3*)
- If Platform Isolation is Required

For Gates: Clear Gate Openings, Width and Height • Clear Inside Cab Width • Car Overtravel

- Dimension from Top Landing to the Underside of Nearest Obstruction for Both Posts and Gate (*With or Without Gate Switch*) • Single or Duplex Gate

For Cab: Platform Width • Platform Depth • Height of Cab • Number & Size of Openings

- Type of Lighting • Number and Size of Cutouts • Detail of Car Gates if Power Operated

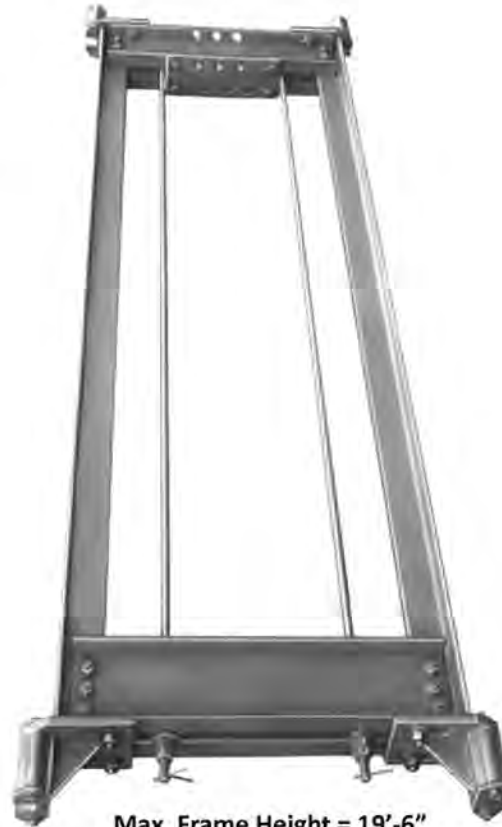
Counterweight Frames

Hollister-Whitney can supply the counterweight frame as a separate unit or supply the counterweight frame and filler weights. Each counterweight frame is furnished with top and bottom channels, "T" bar side stiles, two tie rods, and cable hitch plate. Hanger assembly is also available for 2:1 roping.

Note: If filler weights are supplied by customer, H-W will supply filler weight drawings. Frame width can be varied to suit any D.B.G.* dimension. Estimating the amount of weights required is based on the total net car weight plus 40% to 50% of capacity minus frame weight.

FRAME NO.	STD D.B.G.*	SHIPPING WEIGHT
260	27 1/2"	400 Lbs.
240	30 1/8"	410 Lbs.
230	38 3/4"	430 Lbs.
250	57 1/4"	480 Lbs.
255	66 3/4"	575 Lbs.

* D.B.G. is the distance between guide rails.



Max. Frame Height = 19'-6"

When Ordering Counterweight Frame and Guard, Please Specify the Following:

- D.B.G. • Maximum Overall Height of Frame • Maximum Width of Filler Weights (*Minimum is 5"*)
- Total Counterweight Required • Number and Size of Hoist Ropes

Note: Hollister-Whitney Guide Shoe Assemblies #375, #376, #377, and #383 will mount on above standard counterweight frames without requiring mounting plates. All other guide shoes require mounting plates (*Drilling instructions are required if Hollister-Whitney is to furnish mounting plates, but not shoes*).

H-W EQUIPMENT

Guide Shoes

Rigid Guide Shoes

A complete line of heavy-duty rigid guide shoes with cast-iron liners and optional lubricator assemblies is available. Shoe assembly #371 will mount on a car sling with 5" stiles without needing shoe plates. The shoe assemblies #375 and #376 will mount on a standard H-W counterweight frame without needing shoe plates. All other shoes need shoe plates.

Model 371



Model 375



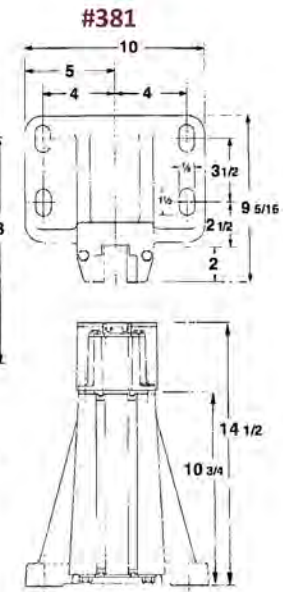
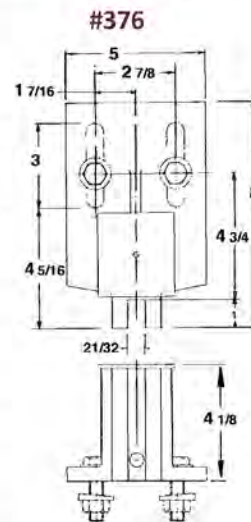
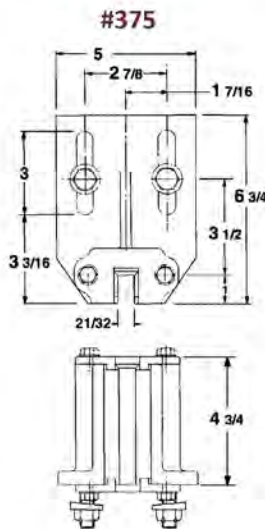
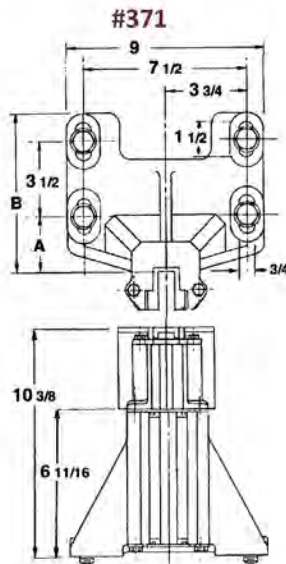
Model 376



Model 381

MODEL 371 ONLY		
RAIL SIZE	"A"	"B"
8#	3 1/8	7 3/4
11# - 30#	2 1/2	7 1/8

	WHERE USED	MAX. CAPACITY	RAIL SIZE	SHOE TYPE	SHOE	LINER MATERIAL	WEIGHT SET OF 4
CAR	Pass or Frt.	6000# Cap.	5/8" Thru 1 1/4"	Rigid C.I.	371	6" Cast Iron	120#
	Freight	12000# Cap.	5/8" Thru 1 1/4"	Rigid C.S.	371	6" Cast Iron	124#
	Freight	20000# Cap.	1 1/8", 1 1/4"	Rigid C.I.	381	10" Cast Iron	250#
CWT.		8000#	5/8"	Rigid	375	4" Nylon or C.I.	40#
		12000#	5/8"	Rigid	376	No Liner	45#
Plates and mounting hardware for above							50#

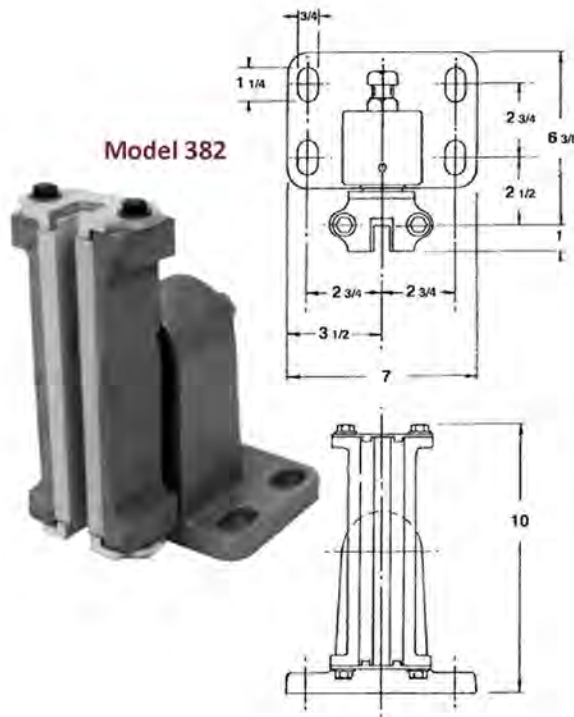


Guide Shoes

Swivel Guide Shoes

Hollister-Whitney offers lightweight swivel guide shoes with nylon liners that are top quality and very competitively priced. Model #383 will mount on a standard H-W counterweight frame without needing shoe plates. Model #382 shoe assembly requires shoe plates.

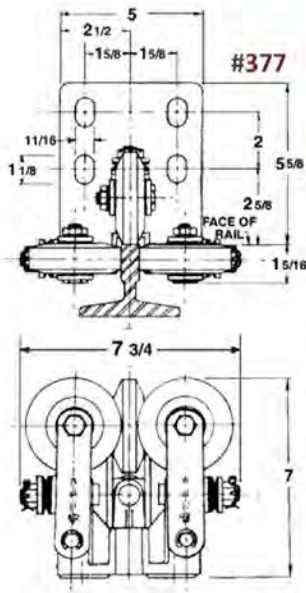
WHERE USED	RAIL SIZE	SHOE TYPE	SHOE	LINER MATERIAL	WEIGHT SET OF 4
CAR Pass or Class A 10000# Cap.	5/8"	Swivel	382	8 1/2" Nylon or C.I.	115#
CWT 10000#	5/8"	Swivel	383	5 1/2" Nylon	40#
Plates and mounting hardware for above					50#



H-W EQUIPMENT

Guide Shoes

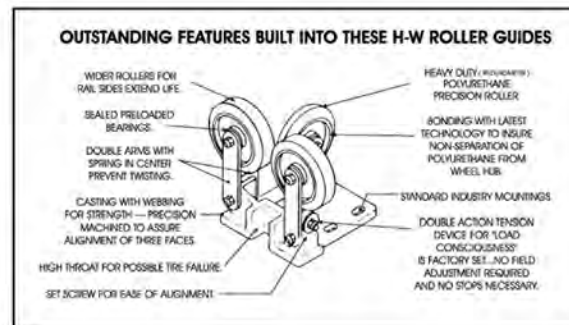
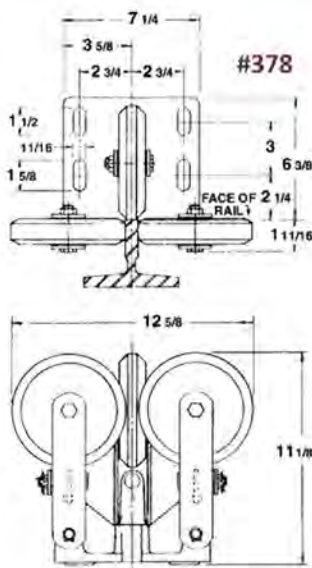
Roller Guide Shoes



Model 377



Model 378



Roller Guide Shoes from H-W are "Load Conscious!" The unique tension system actually causes the rollers to "feel" or "sense" the rail and adjust for loads near the balanced point and for rail misalignment, while a strong tension takes over to prevent excessive movement as heavier loads are placed off center. Rollers will never leave the rail with this "guide" and the outstanding tension system allows ultra long life of the roller wheels.

For higher capacities, the ultimate choice is the Hollister-Whitney four-wheel guides. Four wheels control more of the side to side movement.

H-W EQUIPMENT

Guide Shoes

Roller Guide Shoes

NOTE: CONTACT H-W FOR CAPACITY AND SPEEDS GREATER THAN SHOWN

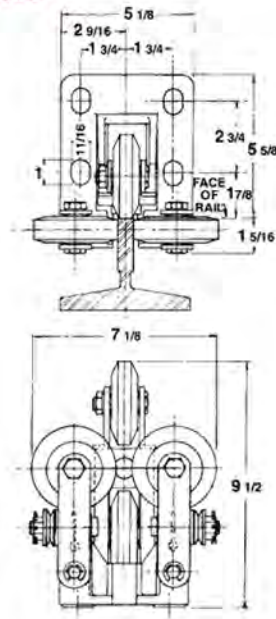
MODEL NO. & SHOE TYPE	WHERE USED & RAIL SIZE		APPLICATION FOR Typical Elevator Installation			WEIGHT SET OF 4
			TYPE LOADING	MAX. CAR CAP.	CAR SPEED OF	
377 3-3 1/4" Rollers	Car	5/8"	Pass.	2000	300	55#
	Cwf.		Pass.	5000	600	
378 3-6" Rollers	Car	5/8" or 3/4" (EXCEPT 6#)	Pass.	4000	600	110#
			Class "A" Frt.	4000	200	
379 4-3 1/4" Rollers	Car	5/8"	Pass.	3500	300	75#
	Cwf.		Pass.	8000	1000	
380 4-6" Rollers	Car	5/8" or 3/4" (EXCEPT 6#)	Pass.	8000	1000	175#
			Class "A" Frt.	6000	200	



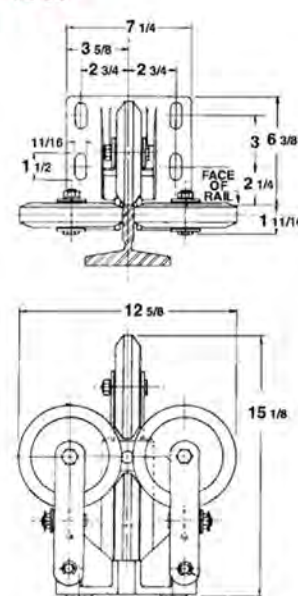
Model 379

Note: Models 378 & 380 are not designed for use on 8# rails.

#379



#380



Model 380

H-W EQUIPMENT

Sheaves

H-W Sheaves, (Car, Cwt., Overhead and Deflector) include the following standard equipment: shaft, bearings, support blocks (2- and 4-bolt types) and all mounting hardware. Also available are secondary sheave assemblies.

STANDARD DEFLECTOR SHEAVES					
All Sizes in Inches [Millimeters]					
PITCH DIA.	RIM WIDTH	HUB WIDTH	MAX. NO. & SIZE OF CABLES	SHEAVE NO.	SHIPPING WEIGHT
20 [508]	4 [102]	4 [102]	4 x 1/2 [13]	331-002	210#
	6 1/2 [165]		7 x 1/2 [13]	331-003	260#
	5 3/4 [146]		6 x 1/2 [13]	331-005	240#
25 [635]	7 1/4 [184]	6 1/4 [159]	8 x 1/2 [13]	331-008	260#
	4 1/2 [114]	4 [102]	4 x 5/8 [16]	331-011	325#
	5 3/4 [146]		6 x 1/2 [13] or 5 x 5/8 [16]	331-017	325#
7 1/4 [184]	6 1/4 [159]		8 x 1/2 [13] or 6 x 5/8 [16]	331-023	350#

HEAVY DUTY DEFLECTOR SHEAVES					
All Sizes in Inches [Millimeters]					
PITCH DIA.	RIM WIDTH	HUB WIDTH	MAX. NO. & SIZE OF CABLES	SHEAVE NO.	SHIPPING WEIGHT
25 [635]	7 1/2 [191]	6 1/4 [159]	7 x 5/8 [16]	331-025	375#
	4 1/2 [114]		4 x 5/8 [16]	331-026	325#
	6 1/2 [165]		6 x 5/8 [16]	331-027	350#
26 [660]	10 [254]	9 [229]	9 x 5/8 [16]	331-087	600#
30 [762]	6 1/2 [165]	6 1/2 [165]	6 x 5/8 [16] or 5 x 3/4 [20]	331-090	650#

CAR 2:1, CWT 2:1, OVERHEAD SHEAVES					
All Sizes in Inches [Millimeters]					
PITCH DIA.	RIM WIDTH	HUB WIDTH	MAX. NO. & SIZE OF CABLES	SHEAVE NO.	SHIPPING WEIGHT
15 3/4 [400]	4 1/4 [108]	4 [102]	6 x 3/8 [10] or 10mm	331-064	235#
	5 1/2 [140]	5 [127]	8 x 3/8 [10] or 10mm	331-065	275#
20 [508]	6 1/2 [165]	6 1/2 [165]	7 x 1/2 [13]	331-009	375#
25 [635]	6 1/2 [165]		7 x 1/2 [13] or 6 x 5/8 [16]	331-092	500#
	8 1/2 [216]		9 x 1/2 [13] or 8 x 5/8 [16]	331-093	575#
26 [660]	10 [254]	9 [229]	9 x 5/8 [16]	331-088	600#
30 [762]	6 1/2 [165]	6 1/2 [165]	6 x 5/8 [16] or 5 x 3/4 [20]	331-090	650#
	8 1/2 [216]		8 x 5/8 [16] or 7 x 3/4 [20]	331-091	725#



Car Or Counter Weight Sheave



Deflector Sheave

* Above Maximum Number of Cables is Based on H-W Standard Traction & Deflector Sheave Groove Centers

- 3/8" Cable = 5/8" Pitch
- 1/2" Cable = 7/8" Pitch
- 5/8" Cable = 1" Pitch
- 3/4" Cable = 1 1/8" Pitch

When Ordering Sheaves, Please Specify the Following:

- Quantity and Size of Hoist Cables
- Centerline to Centerline of Cables
- Type of Sheave Supports
- Beam Spacing (*Centerline of Sheave to Centerline of Mounting Beams or Face of Mounting Channels*)
- Capacity and Speed
- Type of Sheave

Buffers

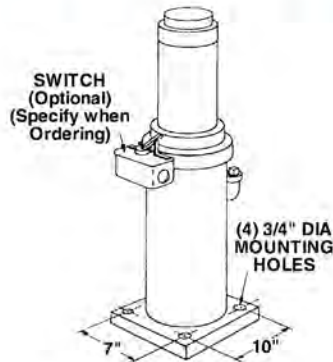
Oil Buffers



**500 Oil Buffer
with NEMA
Switch**

**500 Oil Buffer
with GAL
Switch**

The Hollister-Whitney Series 500 Oil Buffers answer your need for easy-to-install, reliable, and rugged car and counterweight oil buffers. These buffers are readily mountable wherever reliable oil buffers are needed. Series 500 Oil Buffers are designed and built to strict engineering standards and conform to ASME A17.1 and C.S.A. B44 safety codes. They also conform to New York City Housing Authority specifications and have Material and Equipment Acceptance (MEA) approval from the City of New York Department of Buildings.



**When Ordering Oil Buffers,
Please Specify the Following:**

- Rated Car Speed
- Rated Car Capacity
- Empty Car Weight
- Total Counterweight Weight
- With or Without Switch
- If Car Buffer Strut is Required
- If Pit Channels are Required

ASSY. NO.	STROKE	OVERALL HEIGHT	COMP. HEIGHT	MAX. CAR SPEED	GROSS LOAD (Lbs.)		SHIPPING WEIGHT
					MIN.	MAX.	
500	9"	30"	21"	350 FPM	2,500	15,000	150#
510	12"	37"	25"	400 FPM	2,500	15,000	180#
520	18"	50"	32"	500 FPM	3,000	12,000	210#
530	26"	70"	44"	600 FPM	3,000	12,000	270#
535	45"	117"	72"	800 FPM	3,000	12,000	390#

H-W EQUIPMENT

Buffers

Spring Buffers



Car and Counterweight Spring Buffers from Hollister-Whitney are ruggedly built and designed to meet your specific requirements for 200 f.p.m. and below.

When Ordering Spring Buffers, Please Specify the Following:

- Rated Car Speed
- Rated Car Capacity
- Empty Car Weight
- Total Counterweight Weight
- Overall Height of Buffer
- If Pit Channels are Required



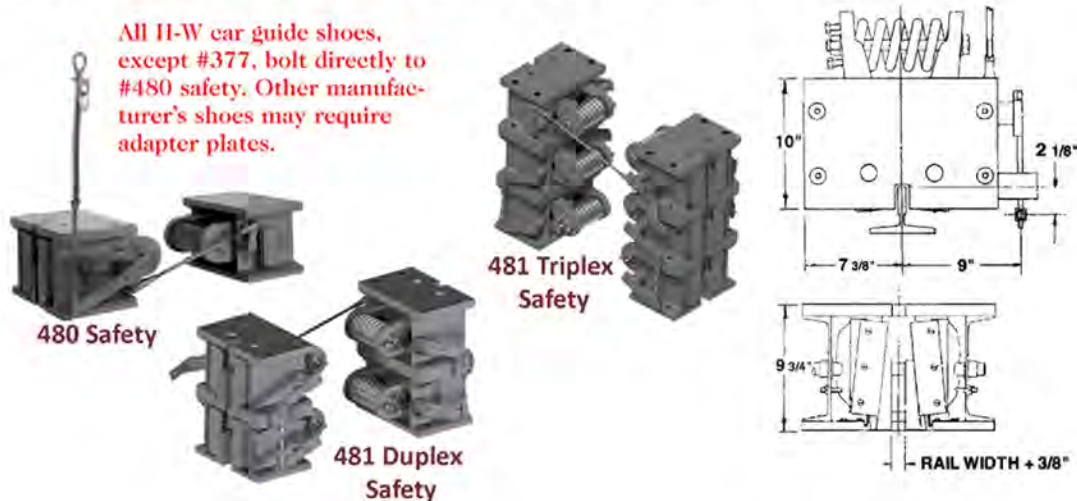
CAR SPRING BUFFERS				
Gross Load (Lbs.) Min.-Max.	Spring No.	Qty.	Comp. (Ins.)	O.A. Spring Hgt. (Ins.)
3550 - 5300	400-8	2	5	15 3/4
5000 - 7500	400-37	2	5	17
6700 - 10000	400-38	2	5	19 1/2
8300 - 12400	400-55	2	4	19
10350 - 15500	400-55	2	5	19
13350 - 20000	400-38	4	5	19 1/2
16550 - 24800	400-55	4	4	19
20700 - 31000	400-55	4	5	19
31000 - 46500	400-55	6	5	19

COUNTERWEIGHT SPRING BUFFERS				
Gross Load (Lbs.) Min.-Max.	Spring No.	Qty.	Comp. (Ins.)	O.A. Spring Hgt. (Ins.)
1800 - 2650	400-8	1	5	15 3/4
2500 - 3750	400-37	1	5	17
3350 - 5000	400-38	1	5	19 1/2
4150 - 6200	400-55	1	4	19
5200 - 7750	400-55	1	5	19
6700 - 10000	400-38	2	5	19 1/2
8300 - 12400	400-55	2	4	19
10350 - 15500	400-55	2	5	19
15500 - 23250	400-55	3	5	19
20700 - 31000	400-55	4	5	19

Note: Min. O.A. Buffer Height = Spring Height + 1"

The Hollister-Whitney Type "B" Flexible Guide Clamp Safety is Superior in Construction and Offers Many Important Features:

- Designed in compliance with all requirements of ASME A17.1 code
- Stopping force automatically exerted equally on both sides of each guide rail and readily adjustable through compression spring on each safety block
- Full swivel of rail grips provides full and uniform contact on all rail faces when safety is actuated
- Simple mounting under plank channels spaced for stile members of any size
- All operating linkage is adjustable and located under the car for easy installation, inspection, and maintenance from elevator pit
- Car safety switch operated by linkage under the car and automatically resets
- Arranged for mounting guide shoes of any type
- Dusttight, watertight, and explosionproof switches available at an additional charge



MODEL	480		481		481 DUPLEX		481 TRIPLEX
MAXIMUM LOAD (LBS) = CAR + CAPACITY + COMPENSATION	15000	13000	20000	18000	30000	40000	50000
MAXIMUM CAR SPEED (FPM)	500	800	500	800	500	350	400
MAXIMUM TRIPPING SPEED (FPM)	625	970	625	970	625	452	510
RAIL SIZES	All except 8 lb.		18.5, 22.5, & 30 lb.			30 lb. only	
MINIMUM PULL THROUGH (LBS)	100			125		150	
SHIPPING WEIGHT (LBS)	400			800		1200	

NOTE: ALL MODELS, INCLUDING THOSE DESIGNED TO BE USED IN HIGHER SPEED APPLICATION, MEET ASME CODE A17.1 REQUIREMENTS. IN ADDITION, MODEL #480, FOR 500 F.P.M. AND BELOW, IS APPROVED FOR VA., G.S.A. AND STATES OF CALIFORNIA, PENNSYLVANIA, AND WISCONSIN. ALSO, MODEL #481, FOR 500 F.P.M. AND BELOW, IS APPROVED FOR STATES OF PENNSYLVANIA AND WISCONSIN.

When Ordering Safeties, Please Specify The Following:

- Car Speed • Face to Face of Guide Rails • Rail Size • Governor Location • Stile Size
- Type of Guide Shoes to be Used • Gross Load (Empty Car Weight & Capacity)

H-W EQUIPMENT

Safeties

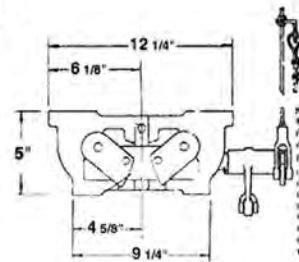
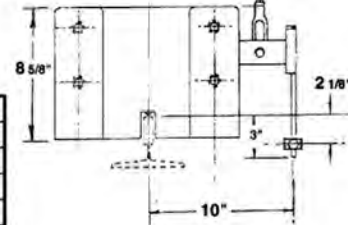
Choose the Hollister-Whitney Type "A" Instantaneous Safety for these important features:

- Designed in compliance with all requirements of ASME A17.1 code
- Stopping force exerted equally on both sides of each guide rail
- Simple mounting under plank channels spaced for 6", 7", & 8" stile members
(Adapter plates available for other stile widths)
- All operating linkage is adjustable and located under the car for easy installation, inspection, and maintenance from elevator pit
- Car safety switch operated by linkage under the car – manually reset for maximum safety
- Arranged for mounting guide shoes of any type
- Dusttight, watertight, and explosionproof switches available at an additional charge

Shoe assemblies #371 and #381 will mount to #540 safety without needing adapter plates. All other shoes require adapter plates.



MODEL	540
MAXIMUM LOAD (LBS) = CAR + CAPACITY + COMPENSATION	20,000
MAXIMUM CAR SPEED (FPM)	150
MAXIMUM TRIPPING SPEED (FPM)	210
RAIL SIZES	8, 11, 12, 15, 18.5 & 22.5 lb.
MINIMUM PULL THROUGH (LBS)	75
SHIPPING WEIGHT (LBS)	175



When Ordering Safeties, Please Specify the Following:

- Car Speed • Face to Face of Guide Rails
- Rail Size • Governor Location
- Stile Size • Type of Guide Shoes to be Used

Elevator Equipment Accessories

Mounting Brackets for G.A.L. Hatch Switches

H-W supplies you with a complete line of mounting brackets for G.A.L. hatch switches. Functional design and aluminum construction make these brackets economical and lightweight. H-W supplies brackets and cams only. Switches and vanes can be ordered directly through G.A.L. Please note that these brackets are specifically designed for G.A.L. switches only. Mounting brackets are equipped with all necessary mounting hardware.



Adjustable Guide Rail Brackets

Heavy-duty guide rail brackets are designed to securely attach car and counterweight rails to the building structure. H-W supplies rail brackets with all necessary mounting hardware. Our engineers will provide you with custom designs to accommodate all bracket conditions except seismic zone 3 or greater or cornerpost car brackets.



Guide Rails

H-W supplies guide rails from the finest quality steel, machined to exacting tolerances. All rails from H-W are supplied with rail splice plates and bolts.

When Ordering Rail Brackets, Please Specify:

- Rail size for Car or Counterweight
- Dimension from Back of Car Rail to Support
- Dimension from Centerline of Counterweight Rails to Support

Hollister-Whitney Rope Shackles and Springs

Hollister-Whitney wedge type shackles are of one piece construction specifically designed for elevators and are available in 18", 24", 30", and 36" overall lengths for 3/8", 1/2", and 5/8" ropes. Equalizer springs are normally supplied for counterweight shackles only. Wedge shackles conform to New York City Housing Authority specifications and also have Material and Equipment Acceptance (MEA) approval from the City of New York Department of Buildings.



When Ordering Wedge Shackles, Please Specify:

- Rope Size
- Overall Length
- Quantity

Hoist and Governor Ropes

H-W can supply you with special strength wire rope designed specifically for the requirements of your elevator. H-W recommends the use of 8 x 19, 21, or 25 traction steel.



Hollister-Whitney Elevator Corporation

#1 Hollister-Whitney Parkway
 Quincy, IL 62305
 Ph: 217-222-0466 Fax: 217-222-0493

website: www.hollisterwhitney.com
 email: engineering@hwec.com
 email: sales@hwec.com

ESTIMATION AND ORDER FORM

Company:		Today's Date:	
Company Address:		Quote Due:	
Contact:		Job Name:	
Phone:		Job Address:	
Fax:		Your Job No.:	
Email:		H-W No.:	(for H-W use only)

I REQUEST THAT H-W USE THE FOLLOWING INFORMATION TO:

- Prepare a Price Quotation only
- Process my order using Purchase Order No. (attached): _____
- Prepare Hoistway Layout Drawings for submittal (Purchase Order required)

NOTE: This form and separate field survey forms can be printed and used for gathering information for quoting, ordering, and to assist with generating layout drawings. Use supplemental pages as needed. It is essential that the information be accurate and complete to ensure timely delivery and trouble-free installation. Non-responses will be construed as the item is non-applicable.

GENERAL DATA	
Type of Application:	<input type="checkbox"/> Geared Overhead <input type="checkbox"/> Geared Basement <input type="checkbox"/> Geared Offset at Overhead <input type="checkbox"/> Gearless Overhead <input type="checkbox"/> Gearless Basement <input type="checkbox"/> Hydraulic (Sling / Platform, Buffers, Rail Brackets only) <input type="checkbox"/> Machine-Room-Less (MRL) (No mounting hardware)
Elevator Quantity and ID:	Quantity of Elevators: _____ Car Number Designation(s): _____
Construction Type:	<input type="checkbox"/> New Building <input type="checkbox"/> Existing Building, New Shaft <input type="checkbox"/> Existing Empty Shaft <input type="checkbox"/> Modernization
Building Type:	<input type="checkbox"/> Residential <input type="checkbox"/> Office <input type="checkbox"/> Retail <input type="checkbox"/> Hotel <input type="checkbox"/> School or University <input type="checkbox"/> Hospital <input type="checkbox"/> Federal Gov't. <input type="checkbox"/> Other Gov't. <input type="checkbox"/> Other _____
Governing Codes:	<input type="checkbox"/> B44/ASME A17.1-_____ (year) <input type="checkbox"/> NYC APPENDIX "K" OTHER: _____
Loading Classification:	<input type="checkbox"/> Passenger (only) <input type="checkbox"/> Passenger/Class A <input type="checkbox"/> Passenger/Class C1 <input type="checkbox"/> Passenger/Class C2 <input type="checkbox"/> Passenger/Class C3 <input type="checkbox"/> Freight/Class A <input type="checkbox"/> Freight/Class B <input type="checkbox"/> Freight/Class C1 <input type="checkbox"/> Freight/Class C2 <input type="checkbox"/> Freight/Class C3
Seismic Requirements:	<input type="checkbox"/> Zone 0/1 (non-seismic) <input type="checkbox"/> Zone 2 <input type="checkbox"/> Zone 3 <input type="checkbox"/> Zone 4
Roping:	<input type="checkbox"/> 1:1 <input type="checkbox"/> 2:1 <input type="checkbox"/> Single-Wrapped <input type="checkbox"/> Double-Wrapped
Rail Arrangement:	<input type="checkbox"/> Sidepost <input type="checkbox"/> Cornerpost
Capacity:	<input type="checkbox"/> 1500 LBS [680 kg] <input type="checkbox"/> 2000 LBS [908 kg] <input type="checkbox"/> 2500 LBS [1134 kg] <input type="checkbox"/> 3000 LBS [1360 kg] <input type="checkbox"/> 3500 LBS [1588 kg] <input type="checkbox"/> 4000 LBS [1815 kg] <input type="checkbox"/> 4500 LBS [2041 kg] <input type="checkbox"/> 5000 LBS [2268 kg] <input type="checkbox"/> 6000 LBS [2721 kg] <input type="checkbox"/> 6500 LBS [2948 kg] <input type="checkbox"/> 7000 LBS [3175 kg] <input type="checkbox"/> 7500 LBS [3402 kg] <input type="checkbox"/> 8000 LBS [3629 kg] <input type="checkbox"/> 9000 LBS [4082 kg] <input type="checkbox"/> 10000 LBS [4536 kg] <input type="checkbox"/> 12000 LBS [5443 kg] <input type="checkbox"/> 15000 LBS [6804 kg] <input type="checkbox"/> 20000 LBS [9072 kg] Other: _____
Speed:	<input type="checkbox"/> 50 FPM [0.25m/s, 15mpm] <input type="checkbox"/> 75 FPM [0.38m/s, 23mpm] <input type="checkbox"/> 100 FPM [0.5m/s, 30 mpm] <input type="checkbox"/> 125 FPM [0.63m/s, 38mpm] <input type="checkbox"/> 150 FPM [0.75m/s, 45mpm] <input type="checkbox"/> 200 FPM [1.0m/s, 60mpm] <input type="checkbox"/> 250 FPM [1.25m/s, 75mpm] <input type="checkbox"/> 300 FPM [1.5m/s, 90mpm] <input type="checkbox"/> 350 FPM [1.75m/s, 105mpm] <input type="checkbox"/> 400 FPM [2.0m/s, 120mpm] <input type="checkbox"/> 450 FPM [2.25m/s, 135mpm] <input type="checkbox"/> 500 FPM [2.5m/s, 150mpm] <input type="checkbox"/> 600 FPM [3.0m/s, 180mpm] <input type="checkbox"/> 700 FPM [3.50m/s, 210mpm] Other: _____
Power Supply:	Voltage: <input type="checkbox"/> 208 V <input type="checkbox"/> 230 V <input type="checkbox"/> 460 V <input type="checkbox"/> 480 V <input type="checkbox"/> 575 V <input type="checkbox"/> Other: _____ Hertz: <input type="checkbox"/> 60 Hz <input type="checkbox"/> 50 Hz
NEMA Rating:	Hoistway <input type="checkbox"/> Class 1 (Std) <input type="checkbox"/> Class 4 <input type="checkbox"/> Class 4X <input type="checkbox"/> Class 7 <input type="checkbox"/> Class 12 <input type="checkbox"/> Other: _____ Machine Rm. <input type="checkbox"/> Class 1 (Std) <input type="checkbox"/> Class 4 <input type="checkbox"/> Class 4X <input type="checkbox"/> Class 7 <input type="checkbox"/> Class 12 <input type="checkbox"/> Other: _____ Description Class 4-Watertight (hose proof), Class 4X-Watertight (splash proof), Class 7-Explosion proof, Class 12-Dust & Drip proof
Cab + Door/Gate Weight: (Required by Sales Dept. & Engineering Dept.)	Car No.(s): _____ Weight: _____ Car No.(s): _____ Weight: _____ Car No.(s): _____ Weight: _____ Car No.(s): _____ Weight: _____

MACHINE ROOM AND HOISTWAY EQUIPMENT		
Rope Gripper Assembly:	<input type="checkbox"/> Rope Gripper (Not required on systems with emergency brake option.) <input type="checkbox"/> NEMA 4 Switch <input type="checkbox"/> Machine Mounting Provisions (available for new OH, BS, and OD machines) Specify length of hydraulic hose required (27" standard, up to 8'-0" max.): _____ For existing applications, verify the outside to outside dimension across the ropes: _____	
Sheaves:	<input type="checkbox"/> Deflector <input type="checkbox"/> With Guard <input type="checkbox"/> Secondary (Double-Wrapped) <input type="checkbox"/> With Guard <input type="checkbox"/> 2:1 Car (Overslung) <input type="checkbox"/> 2:1 Car (Underslung) <input type="checkbox"/> 2:1 (CWT.) <input type="checkbox"/> Overhead (B.S.) <input type="checkbox"/> Hanging Note: Guards not available for overhead shvs.	
Car Sling Assembly:	<input type="checkbox"/> Car Sling <input type="checkbox"/> Painted <input type="checkbox"/> Galvanized Overall Cab Height: _____	
Platform Assembly: (includes 1 toe guard for sidepost or 2 for cornerpost)	Platform Size: <input type="checkbox"/> Platform Size: _____ Wide x _____ Deep	
	Platform Type: <input type="checkbox"/> Sidepost <input type="checkbox"/> Cornerpost	
	Platform Material:	<input type="checkbox"/> Wood and Steel Construction (angle frame filled with layers of wood) <input type="checkbox"/> With Standard Plywood <input type="checkbox"/> 1 layer <input type="checkbox"/> 2 layers <input type="checkbox"/> 1/2" thk. <input type="checkbox"/> 5/8" thk. <input type="checkbox"/> 3/4" thk. <input type="checkbox"/> With Marine Plywood <input type="checkbox"/> 1 layer <input type="checkbox"/> 2 layers <input type="checkbox"/> 1/2" thk. <input type="checkbox"/> 3/4" thk.
		<input type="checkbox"/> All-Steel Construction (channel stringers) <input type="checkbox"/> With smooth steel floor plate to receive your finished flooring <input type="checkbox"/> With checkered steel floor plate as the finished flooring <input type="checkbox"/> With smooth steel floor plate + wood top subflooring to receive your finished flooring <input type="checkbox"/> Standard Plywood <input type="checkbox"/> 1 layer <input type="checkbox"/> 2 layers <input type="checkbox"/> 1/2" thk. <input type="checkbox"/> 3/4" thk. <input type="checkbox"/> Marine Plywood <input type="checkbox"/> 1 layer <input type="checkbox"/> 2 layers <input type="checkbox"/> 1/2" thk. <input type="checkbox"/> 3/4" thk
	Isolation:	<input type="checkbox"/> None <input type="checkbox"/> Isolation with balance weights <input type="checkbox"/> Isolation only, no balance weights
	Options:	<input type="checkbox"/> Painted <input type="checkbox"/> Galvanized <input type="checkbox"/> Stainless <input type="checkbox"/> Additional Toe Guard (rear or side opng.)
	Compensation Hitch:	<input type="checkbox"/> None <input type="checkbox"/> Chain <input type="checkbox"/> Rope
Counter-weight Assembly:	Options:	
	Compensation Hitch:	
Freight Cab Assembly: (Car station cut-out detail required)	<input type="checkbox"/> Freight Cab Assy. (solid steel top, 14 ga. sheet steel, spray enamel, air dried only) Height (8'-0" standard, 10'-0" max.): _____ <input type="checkbox"/> Manual Vertical Lift Gates by H-W <input type="checkbox"/> Front <input type="checkbox"/> Rear <input type="checkbox"/> Gate Switch <input type="checkbox"/> Power Vertical Lift Gates by Others Mfr: _____ (cab by others with power oper.)	
Safety Assembly:	<input type="checkbox"/> Car <input type="checkbox"/> CWT. <input type="checkbox"/> Type A Instantaneous <input type="checkbox"/> Type B Flexible Guide Clamp	
Governor Assembly:	<input type="checkbox"/> Car <input type="checkbox"/> CWT. <input type="checkbox"/> Non-resettable (std.) <input type="checkbox"/> Resettable <input type="checkbox"/> 12" sheave (3/8" dia. rope) <input type="checkbox"/> 16" sheave (3/8" or 1/2" dia. rope) <input type="checkbox"/> Speed Reducing Sw. (optional) <input type="checkbox"/> With live-shaft Specify Shaft Dia. <input type="checkbox"/> 12mm <input type="checkbox"/> .25" <input type="checkbox"/> .75" <input type="checkbox"/> 1.00"	
Tension Weight Assembly:	<input type="checkbox"/> Car <input type="checkbox"/> CWT. <input type="checkbox"/> Swing Arm Type <input type="checkbox"/> Frame Type <input type="checkbox"/> With Guard <input type="checkbox"/> 12" sheave (3/8" dia. rope) <input type="checkbox"/> 16" sheave (3/8" or 1/2" dia. rope)	
Car Guide Shoe Assembly:	<input type="checkbox"/> Rigid <input type="checkbox"/> Swivel <input type="checkbox"/> Roller with Guard <input type="checkbox"/> Roller without Guard <input type="checkbox"/> Retainer/Adapter Plates (Only with car sling)	
CWT. Guide Shoe Assembly:	<input type="checkbox"/> Rigid <input type="checkbox"/> Swivel <input type="checkbox"/> Roller with Guard <input type="checkbox"/> Roller without Guard <input type="checkbox"/> Retainer/Adapter Plates (Only with cwt. frame)	
Spring Buffer Assembly: (200 fpm or under)	<input type="checkbox"/> Car <input type="checkbox"/> CWT.	
Oil Buffer Assembly:	<input type="checkbox"/> Car <input type="checkbox"/> CWT. <input type="checkbox"/> With No Switch <input type="checkbox"/> Standard Switch <input type="checkbox"/> With NEMA 4 Switch <input type="checkbox"/> Car buffer Strut Strut height of: _____	
Rail Buffer Base Channels (Pit Channels):	<input type="checkbox"/> Car <input type="checkbox"/> CWT. Guide rails are: <input type="checkbox"/> New <input type="checkbox"/> Existing For existing guide rails: <input type="checkbox"/> Extend channels under rails <input type="checkbox"/> Cut channels short of rails	

MISCELLANEOUS		
2:1 Dead-End Hitch Plates:		<input type="checkbox"/> Car Dead-End Hitch Plates <input type="checkbox"/> CWT. Dead-End Hitch Plates
Limit Mounting Brackets And Cam:		<input type="checkbox"/> Mounting Brackets and Cam for G.A.L. Limit Switches Qty: _____ G.A.L. Switch Model: <input type="checkbox"/> Model L.S. <input type="checkbox"/> Model L.T. <input type="checkbox"/> Car Bracket and Cam Only
Guide Rails and Fishplates:	Car Rails:	<input type="checkbox"/> By H-W <input type="checkbox"/> By Others <input type="checkbox"/> 8# <input type="checkbox"/> 15# <input type="checkbox"/> 18.5# <input type="checkbox"/> 22.5# <input type="checkbox"/> 30# QTY: _____ of 16'-0" Lg. QTY: _____ of 8'-0" Lg.
	CWT. Rails:	<input type="checkbox"/> By H-W <input type="checkbox"/> By Others <input type="checkbox"/> 8# <input type="checkbox"/> 15# <input type="checkbox"/> 18.5# <input type="checkbox"/> 22.5# <input type="checkbox"/> 30# QTY: _____ of 16'-0" Lg. QTY: _____ of 8'-0" Lg.
	Fishplates:	<input type="checkbox"/> Standard <input type="checkbox"/> Seismic Tee-Section <input type="checkbox"/> Seismic Triple Thick
Rail Brackets & Hardware:	Car Rail Brackets:	<input type="checkbox"/> New By H-W, Qty: _____ <input type="checkbox"/> New By Others <input type="checkbox"/> Existing Note: May require P.E. approval (by others) if located in seismic zone 3 or 4. Note: Not available for cornerpost rail applications.
	CWT. Rail Brackets:	<input type="checkbox"/> New By H-W, Qty: _____ <input type="checkbox"/> New By Others <input type="checkbox"/> Existing Note: May require P.E. approval (by others) if located in seismic zone 3 or 4.
Hoist and Governor Ropes:	Hoist Rope: (8 x 19)	<input type="checkbox"/> By H-W <input type="checkbox"/> By Others Quantity: _____ <input type="checkbox"/> 3/8" Std. T.S. <input type="checkbox"/> 3/8" IWRC <input type="checkbox"/> 1/2" Std. T.S. <input type="checkbox"/> 5/8" Std. T.S. Hoist Rope Length: _____
	Governor Rope: (8 x 19)	<input type="checkbox"/> By H-W <input type="checkbox"/> By Others Quantity: _____ <input type="checkbox"/> 3/8" Std. T.S. <input type="checkbox"/> 1/2" Std. T.S. Governor Rope Length: _____
Wedge Shackles and Equalizer Springs:		<input type="checkbox"/> Hoist Rope Wedge Shackles & Equalizer Springs QTY: _____ 18" O.A. Lg.: Size of Ropes: <input type="checkbox"/> 3/8" <input type="checkbox"/> 1/2" <input type="checkbox"/> 5/8" <input type="checkbox"/> 3/4" QTY: _____ 24" O.A. Lg.: Size of Ropes: <input type="checkbox"/> 3/8" <input type="checkbox"/> 1/2" <input type="checkbox"/> 5/8" <input type="checkbox"/> 3/4" QTY: _____ 30" O.A. Lg.: Size of Ropes: <input type="checkbox"/> 3/8" <input type="checkbox"/> 1/2" <input type="checkbox"/> 5/8" <input type="checkbox"/> 3/4" QTY: _____ 36" O.A. Lg.: Size of Ropes: <input type="checkbox"/> 3/8" <input type="checkbox"/> 1/2" <input type="checkbox"/> 5/8" <input type="checkbox"/> 3/4" QTY: _____ Equalizer Springs for Counterweight Shackles

ENGINEERING SERVICES		
Equipment Drawings and Maintenance Manuals		Job-specific assembly/parts drawings of your equipment will be sent to you after final engineering has been completed and they are free of charge. Maintenance manuals are available online.
Elevator Layout Drawings:	Type of Layout:	<input type="checkbox"/> Full Layout Drawing <input type="checkbox"/> Machine Room Only Layout Drawing (includes overhead reactions) Note: Layouts are submitted via email in PDF format ONLY . No cad file formats will be submitted. Note: Pricing and lead time vary according to quantity and configuration of elevators and type of application. Lead time does not start until receipt of all required information.
	Options:	<input type="checkbox"/> English Units (our standard) <input type="checkbox"/> Dual Units [S.I. (Metric) / U.S. (English)] <input type="checkbox"/> Certified Engineer Stamp of overhead reaction calculations (licensed in state of Illinois)

**INFORMATION FOR
LAYOUT DRAWINGS**

NOTE: The following additional information is required by H-W if layout drawings are to be prepared. This data is requested so that we can provide accurate layout drawings while avoiding unnecessary revisions, to help improve the approval process, and to assist with final engineering. Missing information can delay your project or create errors. Lead time for the layout drawings does not start until we have all information.

1. **General Specifications, Job Summary, or Scope of Project.**
2. **Architectural and Structural Drawings** - for "pre-designed" elevators with new construction.
3. **Design Build Jobs:** For "design build" jobs that have no architectural or structural drawings available, advise if H-W has complete freedom to determine the hoistway size, pit depth, and overhead height as per our requirements with no restrictions: _____
4. **Existing Hoistway Survey or Original Installation Layout** – for existing elevator construction. Indicate hoistway size; door type, size, and hand; machine room size and configuration; all floor heights; pit depth; and clear overhead height. We have various field survey forms available.
5. **Existing Equipment Survey or Original Installation Layout** - for "modernization" jobs with some existing equipment being retained in place. Indicate sizes and location of all equipment that is to be retained. We have field survey forms available. Identify all existing elevator equipment that is to be retained:

<input type="checkbox"/> Car rails and brackets	<input type="checkbox"/> CWT. rails and brackets	<input type="checkbox"/> Hoistway door frames and sills
<input type="checkbox"/> Car sling	<input type="checkbox"/> Car platform	<input type="checkbox"/> CWT. frame
<input type="checkbox"/> Safety	<input type="checkbox"/> Governor	<input type="checkbox"/> Tension weight
<input type="checkbox"/> Car shoes	<input type="checkbox"/> CWT. shoes	<input type="checkbox"/> Buffers
<input type="checkbox"/> Pit channels	<input type="checkbox"/> Machine beams / DEH beams	<input type="checkbox"/> Machine
<input type="checkbox"/> Deflector sheave	<input type="checkbox"/> Overhead sheave supports	<input type="checkbox"/> Overhead sheaves
<input type="checkbox"/> Cab enclosure	<input type="checkbox"/> Controller	<input type="checkbox"/> Other: _____
6. **Total Empty Car Weight** - For existing cars that are to be retained: _____
7. **Finished Car Flooring-** Material: _____ O.A. Thickness: _____ Total Weight: _____
8. **Rail Bracket Attachment-** Method of car and cwt. guide rail bracket attachment to the structure at the **outer** walls:

<input type="checkbox"/> Inserts	<input type="checkbox"/> Concrete anchors	<input type="checkbox"/> Steel framing (steel locations are required)
----------------------------------	---	---
9. **MRL Plan Arrangement-** Have you chosen a specific Plan arrangement from our MRL Design Guide (available online): _____
10. **MRL Machine Access Door-** If you are considering our MRL Plan A1, A2, F, or G (counterweight located at the side), then a machine access door is an absolute requirement. If it is not structurally feasible to provide the access door, then these plan arrangements are **NOT** available. Confirm whether you can provide the machine access door: _____
11. **MRL Governor Access Door-** Confirm if required to adhere to NYC Appendix K, which requires a governor access door: _____
12. **Jobs with Live Shaft Governor-** Standard shaft dia. is 12 mm if using G.A.L. controls. If using other control manufacturer, then specify the required shaft diameter:

<input type="checkbox"/> 12 mm dia.	<input type="checkbox"/> .25" dia.	<input type="checkbox"/> .75" dia.	<input type="checkbox"/> 1.00" dia.
-------------------------------------	------------------------------------	------------------------------------	-------------------------------------
13. **Passenger Cab + Doors (by others):** Mfr.: _____ O.A. Height: _____ Cab + Door Weight: _____
14. **Freight Cab + Gates (by others):** Mfr.: _____ (Forward a job specific drawing of the cab and gate assy.)
O.A. Height: _____ Cab Weight: _____ Gate(s) Weight: _____
15. **Guide Shoes (by others):** Mfr.: _____ Type: _____ Car Model: _____ Cwt. Model: _____
16. **Geared Machine (by others):** Mfr.: _____ Model: _____ Drive Sheave Dia.: _____
(Forward a job specific drawing of the machine.)
17. **Gearless Machine (by others):** Mfr.: _____ Model: _____ Drive Sheave Dia.: _____
(Forward a job specific drawing of the machine.)
18. **Hoist Motor (by others):** Mfr.: _____ HP: _____ RPM: _____ Frame Size: _____
(Forward a job specific drawing of the motor data print.)
19. **Controller (by others):** Mfr.: _____ Model No.: _____ Size (WxDxH): _____
20. **Other Equipment (List item, mfr., model, size):** _____

INFORMATION FOR FABRICATION

1. **Approval of Layouts by H-W** - If layouts were prepared by H-W, then we will require your written approval verifying the accuracy of the layout drawings and authorizing us to proceed with final engineering to release to production.
2. **Copy of Layouts by Others** - If layouts were prepared by others, then we will require a copy of the layouts and your written authorization to proceed with final engineering to release to production based on those drawings.
3. **Field Survey Data** - If layouts are not required, then we will require sufficient field survey data and information to final engineer the shop drawings after your order has been processed.
4. **Hoist Motor Data** - For hoist motors from another vendor that are being shipped direct to our factory for mounting to our geared machines, we will require certified motor data prints from the manufacturer.
5. **Car Sill Detail** - Before fabrication of all-steel passenger car platforms that have no additional wood subflooring on top, we will require a car sill detail from your cab manufacturer showing the car sill in profile with all dimensions.
6. **COP Cutout Detail** - For both passenger and freight cabs with car operating panel(s) located at the side of the cab enclosure, we will require a drawing showing the size and location of the C.O.P. box cutout if the car sling is being provided by H-W so that we can determine if there is any interference with our car sling side bracing.

Special Notes:

1. **Does "Buy America Clause" apply?** _____
2. **Is export crating required?** _____
3. **Date material is required by:** _____

4. **Shipping and Billing Instruction:**

Name

Signature

Title

Date

INDEX-G.A.L.

(Arranged by Category)

Operators

A		Drive Arm Support Parts	98-100
Adjustable Angles	131	Drive Belt	135
Aluminum Drive Arm	86-90	Drive Pulley Assemblies	125-126
Auxiliary Control Panels	69-70	Drive Pulley Assemblies (Water/Explosion Resistant)	127
B		Drive Pulley Chain	136
Bearing Blocks & Parts	130-131	Drive Shoe and Crank Arm Assemblies	85
Belt Tensioner Assemblies & Parts	131-132	Drive Shoe Parts	85
Belts, Chains, & Chain Parts	135-137	Drive, Intermediate, and Reduction Pulleys	130-131
Boards & Drives	112-114	F	
Bridging Cam Assemblies	109	Fuses	114
Bridging Contacts And Contact Screw	112	I	
Brushes (Shunt Wound Motor)	104	Insulator Kits	124
Bushing Replacement Kit For MOCT Limit Cam Shaft	138	Insulators	125
Bushings	137	Intermediate Door Link & Brackets	94
Bushings & Nylon Pins	137-138	Intermediate Pulley Assemblies	127
C		Intermediate Pulley Assemblies (Water Resistant)	127
Cables	118-119	J	
Cam Drive Chain	136	Jumpers	120
Cam Sets	109-110	L	
Cams	110-111	Limit Control Assemblies	104-106
Chains	135-137	Limit Control Box Accessories	107
Chain Clamps	137	Limit Control Covers	107-108
Chain Connecting Master Link	136	Limit Control Parts	107-112
Clutch Transfer Linkage Arm	90	Limit Switch Assemblies	108
Conduits	97, 119	Link & Bracket Assemblies	91-93,93-94
Connector	96	LRD1 & RLD2 Reversing Switch	96
Connecting Links (Upper & Lower Lnks)	90	M	
Contact Bases	112	Micro Switch Kits	115-116
Crank Arm Assemblies	84	Micro Switches	116-117
Crank Arm Assemblies - Center Parting	84	MOPM Convertor Panels	69
Crank Arm Assemblies (Shoe Types)	85	MOR Board	113
D		MOSVCL, MOMSVL Limit Control Board	114
Door Link Replacement	91	Motor & Motor Parts	102-104
Drives	112-114	Motor Base Assembly	104
Drive Arm Assemblies	73-80	Motor Pulley	128
Drive Arm Connecting Links	90	Motor Pulley (Water Resistant)	128-129
Drive Arm Hardware	100-101	Motor Specifications	102-103
Drive Arm Link & Brackets	91	MOVFR II Drives	114
Drive Arm Sub-Assemblies (Center Parting)	80-83	MOVFR-I Operator Frequency Drive Replacement Kit	112
Drive Arm Support Assembly	97-98	MOW/MOX Motor Coupling Kits	107

INDEX-G.A.L.

(Arranged by Category)

Operators

N

Nylon Pins For Bridging Cams 138

O

Oil Checks 139

Operator Connecting Link (Type L) 90

Operator Mounting Hardware 139-140

P

Parameter Units 117-118

Pins-Nylon 137-138

Power Failure Unlocking Device & Parts 133-134

Pulley Assemblies & Pulleys 125-130

R

Rectifier Kits 114

Reduction Belt 135

Reduction Pulley 129

Reduction Pulley (Water Resistant) 130

Relays 115

Resistor Assemblies and Parts 121-125

Resistor Bands 123

Resistor Rods 124

Resistors 122-123

Resistors & Terminal Box Assemblies 121

Retiring Cam Clamp Kits 131

Retiring Cam Pick-up Roller Assemblies 135

Reversing Device Assemblies 95

Reversing Device Parts 96-97

S

Shaft Assemblies & Parts 133

Slow Door Link & Brackets 92-93

Spacers & Suppressors 138-139

Spacers (MOHL & MOML) 138

Sprocket & Shaft Kits 132

Sprocket & Shafts 132-133

Stop Roller Assemblies 134

Stop Roller Plates 134

Suppressors 138-139

Switch - LRD-1 & Switch - LRD-2 Assemblies and Parts 96

Switches, Micro & Toggle 115-117

T

Tensioner Assemblies 131

Terminal Blocks 118-119

Terminal Connectors 118

Toggle Switches 117

U

Universal Drive Arm 90

W

Wires 120

Car / Hatch Hangers

A

Adaptor Bar & Bracket 203

Adaptor Channel, Unistrut 239

C

Cable Clamps (Car Header) 226

Cable Gearing Assemblies (Type A) 210

Cable Gearing Assembly Parts 211-213

Cable Gearing Bar Assemblies 210

Car Door Tracks 226-230

Car Hanger Hardware 242-243

Car Header (Type A & HA) 214

Channels 214

Clamps 212-213

D

Door Drive Arm Support Bracket 206

E

Extension Plates 215

Eccentric Roller Assemblies 225

G

Gearing Cable Assembly Parts 203

Gearing Cables (Old Style Type A) - Center Parting 212

Gearing Cables (Type A) - Center Parting 212

Gearing Cables (Type A) - Two Speed 212

H

Hardware 240-245

Hatch Door Tracks 231-234

Hatch Hanger Hardware 243-244

Hatch Hanger Hardware (2 1/4 Old style) 244-245

Hatch Header & Dust Cover (Westinghouse only) 204

Header Strap 214

Headers 214

INDEX-G.A.L.

(Arranged by Category)

Car / Hatch Hangers

H

Hi-Cab Kit	158, 162, 169
Hi-Cab Kit Hardware	217
Hi-Cab Kit Parts	214-217
House Shoe Washers	241

K

Keeper Mounting Brackets/Plates	208
---------------------------------	-----

M

Mechanical Interconnecting Device (Two Speed)	224
Mechanical Interconnecting Devices	217

O

Oiler/ Cleaners	224
Old Style Sheaves w/ 2 1/4" Roller	223
Operator Support Angle (Set)	214
Operator Support Angles (Type A)	216

P

Pulley Assemblies and Pulleys (Gearing)	211
---	-----

R

Reel Closer Assemblies and Parts	205
Roller Kits	224

S

Safety Retainers	225
Sheave Assemblies (Type A)	218-222
Sheave Assembly Parts	224
Sheave Eccentric Rollers	225
Sheave Hardware - Pendent Bolts	241
Sheave Shims (Horseshoe Washers)	241
Spacers	213, 237-238
Spacers (Type OS)	238
Specialty Sheave Assemblies (Type A)	223
Split Hangers (Geared)	170, 170
Springs	238
Switch Mounting Adaptor - Angles/Brackets/Plates	207-208

T

Top Safety Retainers - 2 1/4 Old Style	225
Top Safety Retainers & Jig (Type A)	225
Tracks	226-234
Track Angles	235

Track Brackets	235-236
Track Bumpers	236
Track Hardware - Screws, Nut, & Washers	240-241

U

Unistruts-Adator Channels	239
Unistrut Hardware	239

Westinghouse & Otis

A

Adaptor Bar & Bracket	203
-----------------------	-----

C

Car Door Hanger Assemblies & Parts	205
Center Parting (Geared)	202

D

Door Drive Arm Support Bracket	206
--------------------------------	-----

G

Gearing Cable Assembly Parts	203
------------------------------	-----

H

Hardware	204-205,209
Hatch Door Hanger Assemblies & Parts	201-205
Hatch Header & Dust Cover	204

I

Interlock Assemblies	206
Interlock Parts	207-209

K

Keeper Mounting Brackets/Plates	208
---------------------------------	-----

N

N Interlock	206
NHA Interlock	206

R

Reel Closer Assemblies and Parts	205
----------------------------------	-----

S

Sheaves	203
Switch Assemblies & Keeper	207
Switch Mounting Adaptor - Angles/Brackets/Plates	207-208

T

Tracks	204
--------	-----

INDEX-G.A.L.

(Arranged by Category)

Door Protection

C	
Cables (Tri-Tronics)	246
Chip	247
I	
InfraRed Curtain (Formula Systems)	246
InfraRed Curtain (Tri-Tronics)	246
InfraRed Curtain Parts	246-247
S	
Safety Edge Assemblies	247
Safety Edge Parts	248-251
U	
Universal Power Supplies	247

Clutches

A	
Activation Plates & Roller Assemblies	284
Arms	279
B	
Bars	279
C	
Cams	280
Cams & Cables	284
Car Zone Locking Parts	277
Clutch Hardware	289
Clutch Rollers	288
Clutch Springs	288
Clutch Vanes	286-288
D	
Door Open & Close Vanes	286-288
F	
Fixed Vanes	288
G	
Glass Doors (Special)	277
L	
Links	280
Locking Bar Guides	278

R	
Reinforcement Plate	275
S	
S Standard Clutch	270

Car Door Zone Locks

C	
Cams	292
K	
Keepers	293
L	
Latches	293
M	
Mounting Angles	293

Retiring Cams

A	
Arms & Cam	298
B	
Bumpers	299
E	
Extension Angles and Plates	299-300
G	
Guide Plate	300
H	
Hardware	301
M	
Motors & Power Packs	297
P	
Power Pack & Parts	297-298
Pulley Assemblies and Parts	300-301
S	
Spring And Rod Assemblies	301

Door Closers

A	
Arms & Bracket, B.A.C. & S.A.C.	323

INDEX-G.A.L.

(Arranged by Category)

Door Closers

B

Brackets, Car & Gate Closer	327
Broken Arm Closers	322

C

Car Door Closer	326
Car Door Linkage	312
Collapsible Car Gate Closer	325

H

Hardware, Broken & Straight Arm Closer	325
Housing & Oil Check Assembly, B.A.C. & S.A.C.	323

L

Link & Brackets, Spring Closer	313-315
--------------------------------	---------

O

Oil Checks	327
Oil Check & Bracket Assembly	327

R

Reel Closer Brackets	313
Reel Closers	312

S

Solenoid Release Units & Links	326-327
Springs (B.A.C. & S.A.C. Closers)	324
Springs (Oil Checks)	325
Spring Closer Assemblies	307-312
Spring Closer Arms	313
Spring Closer Bases	316
Spring Closer Brackets	315
Spring Closer Guides	316
Spring Closer Hardware	317
Spring Closer Reinforcement Plates	312
Spring Closer Shoes	315
Spring Closers	307-311
Spring Rod Assemblies & Parts	316
Straight Arm Closers	322

Interlocks

A

Adaptor Kit (N/NHA)	368
Angles, Brackets, Channels, and Plates	369-372

B

Bars & Chains	372-373
Bridging Contacts	376
Bumpers	391
Bushings	392

C

Cams	373-374
Contact Bases	377
Contact Kits	375-376
Contacts	375-378
Covers	378-380

D

Deflector Shield (N Interlock-Water Resistant)	368
DM Interlock	355
DM-MH Interlock	355

E

Emergency Key Box and Parts	363
Emergency Key Box Glass Window	363
Emergency Unlocking Device (MOHA)	385

G

Guide	393
Glass Window (Key Box)	363

H

Hammer (Key Box)	363
Hardware	391-394
HD Interlock	356

I

Insulators	378
Interlock Accessories	363-368

J

Jumper - Combo (M/N/MO)	367
-------------------------	-----

K

K Interlock	356
K1 Interlock	355
K5 Interlock	355
Keeper Assemblies	380-381
Keeper Mounting Plates	370-372
Keeper Spacer (MO, MOW, MOX)	386
Key Clamps	368

INDEX-G.A.L.

(Arranged by Category)

Interlocks

K		NHA Interlock (For Swing Doors) - OTIS	360
Key Box	363	NHA Interlock Standard Roller Arm Shaft Lengths	360
Key Clamps (KMO)	368	Non-Reversing Device (HD)	368
Keys (M, N, MO, VHA-1)	367	O	
L		OTIS Replacement	354
Latch Assemblies & Parts	374	P	
Links-Lower (MO, MOHA, MOW & MOX Interlock)	383-384	Pin	393
Links-Upper (MO Interlock)	384	Pit MO Interlock Access Device	366-367
M		Pull Strap (VR)	368
M Interlock (See N Interlock)	359	R	
MO & MOCP Bar Locks	356	Reinforcement Plates	368
MO Interlock With Single Roller	350	Release Roller Assemblies (MO)	382-383
MO10, MOH10, MOCPHA & MOHRD10 Interlocks	354	Retainer	393
MOCP Interlock With Vertical Rollers	353	Roller Arms (M/N)	386
MOCPH Interlock With Horizontal Rollers	353	Roller Release & Keeper Assembles w/ Door Mounting Plate	385
MOCPHA Interlock With Horizontal Rollers & Shield	353	Roller Release Spacers (MO)	385
MOCPH-G Interlock With Horizontal Rollers	354	Rollers (MO)	386
MOH Interlock With Horizontal Rollers (Bott. Mounted)	351	S	
MOH Interlock With Horizontal Rollers	351	Screws	392-393
MOHA Interlock With Horizontal Rollers & Shield	352	Shaft Supports	386
MOH-G Interlock With Horizontal Rollers	354	Shafts and Shaft Codes	390-391
MOM Interlock With Vertical Rollers	350	Shield With Emergency Unlocking Devices (MOHA, MOCPHA)	385
Mounting Hardware	392	Spacer	393
MOW-CP-RC & MOX-CP-RC Interlocks	361-362	Spring and Pin	393
MOWH & MOXH Interlock With Horizontal Rollers	352-353	Springs	394
MOW-RC & MOX-RC Interlocks	361-362	Switch Assemblies	387-388
N		Switch Mounting Angles	369
N Interlock (For Sliding Doors) - Fig. 4	359	Switch Mounting Plates	370
N Interlock (For Sliding Doors) - Fig. 4A	359	T	
N Interlock (For Sliding Doors) - Fig. 4B	359	Transfer Linkage	364-366
N Interlock (For Sliding Doors) - Standard	359	V	
N Interlock (For Swing Doors)	358	VR Interlock	356
N Interlock (For Swing Doors) - OTIS	359	W	
N Interlock (For Swing Doors) - WECO Replacement	359	Washer	393
N Interlock Mounting Arrangement	357	WP Interlock - Slide Door	362
N Interlock Standard Roller Arm Shaft Lengths	358	WP Interlock - Swing Door	362
NHA Interlock (For Sliding Doors)	360	WX Interlock - Slide Door	361
N & NHA Switch Assemblies (Slide)	389-390	WX Interlock - Swing Door	361
N & NHA Switch Assemblies (Swing)	389		
NHA Housing Authority Type	360		
NHA Interlock (For Swing Doors)	360		

INDEX-G.A.L.

(Arranged by Category)

Locks, Contacts & Switches

B

Bars - Slack Cable Switches	412
Broken Cable Switch	412

C

Cable Rod Assembly	412
Cable Spring Assembly	412
Cable Switch Assembly	412
Cams	413
Contacts & Contact Kits	413-415
Covers	415-416

D

Door Contact Assemblies	407
-------------------------	-----

G

Gate Switch Assemblies	407-409
GW Gate Switch - Water Resistant	409
GX Gate Switch - Dust/Explosion Resistant	409

H

Hardware	419
----------	-----

K

Keepers	416
---------	-----

L

LD Limit Switch	410
LD-HA Limit Switch w/ Gasket	410
Limit Switch	396-399
Limit Switch Assemblies	410-411
LS Limit Switch	410
LS Mounting Bracket Kit	410
LS-HA Limit Switch w/ Gasket	410
LSO Limit Switch w/ Gasket	410
LSO-HA Limit Switch w/ Gasket	410
LTD Limit Switch w/ Gasket	410
LTD-HA Limit Switch w/ Gasket	410
LTS Limit Switch w/ Gasket	410
LTS-HA Limit Switch w/ Gasket	410

M

Magnetic Limit Switch Assembly Kits (MLS)	411
MB Bar Lock and Keeper	407
MLS Limit Switch Replacement	411
Mounting Plates	417

R

Rollers & Arms	417-418
----------------	---------

S

SC Slack Cable Switch & Bar	412
SC Slack Cable Switch & Roller	412
SCLS (Slopping Cam) Limit Switch	411
SDC Single Door Contact	395
SDM & SDM-MH Locks (Double Swing Door)	404
SDM Switch Assemblies	405
Shaft Codes	406
Shafts	406
Slack Cable Switch	412
SM Lock (See SN Locks)	404
SN-C Door Contact	395
SN Adaptor Kit	405
SN Lock (For Sliding Doors)	405
SN Lock (For Swing Doors)	404
SN Switch Assemblies	405
Springs	418

V

VG Gate Switch	409
VG-1 Gate Switch	409

Signal Fixtures

A

Alarm Bell	422
Alarm Bell (WP)	422
Audible Signals	498

B

Batteries, EL	496
---------------	-----

C

Cabinet Flush Mount - With Phone	484
Cabinet Flush Mounted (No Phone)	485
Capacity Plates	483
Car Switch Parts	499-500
Car Top Audible Signals	422
Car Top Inspection Stations	420-422
Chicago Specialty Electrical Key Switch Assemblies With Terminals	481
Chimes	498

INDEX-G.A.L.

(Arranged by Category)

Signal Fixtures

D

Dialight Set	495
Digital Display - 1 H-1CH and 1 H-2CH with Arrow	490
Digital Display - 2.2 H-2CH with Arrow	490
Digital Display - 2.2 H-3CH with Arrow	490
Digital Display - 2.5 H with Arrow	490
Digital Display - 3 H with Arrow	490
Door Hold Switch Modules	439

E

Electrical Switch - Key Removable Off Only	480
Electrical Switch - Key Removable Both Positions	480
Electrical Switch - Key Removable Both Positions	481
Electrical Switch - Spring Return	480-481
Emergency Exit Switches - Top Of Car	423
Emergency Light Unit	496
Emergency Phones	484-487
Emergency Power Key Switches	471
Emergency Stop Switch Modules	434-435
Emergency Stop Switch Modules (VP With Halo)	437-438
Emergency Stop Switch Modules (VP)	436
Emergency Stop Switch Modules (Water Resistant)	439

F

Films & Holders - Visible When Illuminated	492
Filters - Lantern Lens	492
Fire Service Cabinet Lock Assemblies	482
Fire Service Indicator Modules	490
Fire Service Key Switches	445-471

G

G.A.L. Standard Modules	472-473
Gongs	498

H

Handicap Plates	483
Handle - Phone Box Cover	488
Handle (Round Metal) Marked: Pull To Stop	436-437
Handle (Round Metal) Marked: Push To Stop	436,438-439
Handle (Round Red Plastic) Marked: Pull To Stop	435
Handle (Round Red Plastic) Marked: Push To Stop	434
Handle (Round White Plastic)	439
Hands Free Emergency Phone Parts	485-487

Hands Free Emergency Phones	484-485
Hinges	487-488
How To Find Your Fire Service Key Switch	445

I

Indicator Light Modules	491
Indicator Lights	489
Indicators	489-492

K

Key Cylinder Assemblies	479
Key Cylinders - Stainless Steel Finish	479
Key Cylinders - Stainless Steel Finish (Triple Letter)	479
Key Cylinders - Stainless Steel Finish (TYPE TL)	479
Key Switch Modules	472-478
Keyed Cabinet Locks	482

L

Lamp Guard	422
Lamp Sockets & Holders	493
Lamps	493-495
LED Lamps	494
LED Miniature Flat Bulb, PSB Type	494

L

LED Printed Circuit Boards	431,493-494
Lens - Molded Lantern	492
Lens - Vandal Resistant Lantern	492
Lens - Visible When Illuminated	492
Lens & Printed Circuit Boards - Emergency Light	496
Line Concentrators	486
Line Communications Failure Station	486

M

Massachusetts EMT Medical Emergency Key Switch	480
Medeco O.S. Shell Mounted Replacement Modules	477
Medeco Security Electrical Key Switch Assemblies With (6) Leads	480
Medeco Security Flush Cylinder Modules	476
Medeco Security Key Cylinder Assemblies With Threaded Stud	479
Medeco Security Modules	474-476
Medeco Security Shell Mounted Modules	477
Miniature Lamp, PSB Type	495

INDEX-G.A.L.

(Arranged by Category)

Signal Fixtures

M

Modules With Metal Cap	426-430
Modules With Plastic Cap	424-426

N

National Code Chart	446-451
National Code Chart: ANSI-1996	470
National Code Chart: ASME-2000 & 2004	470

P

Pit Switches	423
Plug Assemblies	441
Position Indicator Digital Display Boards	490
Position Indicator Inserts With Shield	489
Power Packs	496
Printed Circuit Boards	497
Push Button Inserts	433
Push Button Interphase Boards	497
Push Button Modules	424-432
Push/Pull to Stop Switch Type	423
Push-Pull Type Modules	434-439

R

RA Series PB Modules With Metal Caps	432
Run Stop Key Switches	479
Run-Stop Toggle Switch Modules	441

S

Serial Hall & Car Station Boards	497
Socket	422

T

Telephone Replacements For KTEC	486-487
Telephone Replacements For Viking	486
Telephone Replacements For WURTEC	487
Toggle Switch Type	423
Toggle Type Modules	440-441

U

Utility Service Cabinet Lock Assemblies	482
---	-----

V

Various Specialty Key Switch Modules	478
Various Toggle Type Switch Modules	440
VPMC-14 Extender Modules & Parts	431

Controller

A

AC Drives & Regen Units	521-523
AC Transformers, Filters & Reactors	524-531
Air Conditioner	534
Armature & Brushes - Loher Tach	558
Armature & Frame Assemblies	555
Auxiliary Contacts	540

B

Brake Panels	534
Brakes & Brake Relay Boards	515

C

Car Top Interface Boards	516
Carbon Contacts	556
Coils	554
Compounding Strip	533
Contact Holder Parts	556
Contact Holders	556
Contact Plates & Base	554
Contact Post Assemblies	557
Contact Wires	557
Contactors	540-542
Controller Timer	557
Cooling Fan	548
Copper Contacts	556
CPU Boards	516
Cross Assignment Boards	516

D

Drive Board	523
Dual Contactors With Interlock	542
Dynamic Braking Resistor & Box Assemblies	535

E

Emergency Power Rescue System	501-505
Encoder Cables	536
Encoder Parts	536
Encoders	535-536

F

Fault Monitor & Rope Gripper Panel	534
Filters	524
Finger Contacts	555

INDEX-G.A.L.

(Arranged by Category)

Controller

G		Relay Logic Controller Relays	549-553
GALaxy Controller	501	Relays & Contactors	540-545
GALaxy Documentation Packages	537	Relays (Overload)	542-543
GALaxy Enclosures and Parts	537	Relays (Phase Monitoring)	544
GALaxy II Boards	520	Relays (Plug In)	544
GALaxy III Boards	507-519	Rescuvator	503-505
GALaxy IV Boards	506-507	Resistor Band	533
GALaxy Wires and Cables	537-538	Resistor Series Boards	515
H		Resistors	532-533
Hardware	558	Reverse Phase Relay	554
Harnesses	523	Ripple Filters (Chokes)	524
K		S	
KEB Drive	521	Selector Boards	517
Kick Off Bracket & Spring Assemblies	555	Selector Parts	546-547
L		Selectors	545-547
Line Filters	524	Silver Plated Contacts	556
Load Weighing Units & Parts	538	Soft Starter	545
M		Spectralite Boards	518
Magnetek DSD 412 Drive	521	Spiral Resistor	533
Magnetek H9S2 Drive	522	Steel Tape Readers	546
Magnetic Limit Switches	547	Steel Tape Selector Kits	545
Main I/O Boards	514	Steel Tapes	546
Monitor Configuration - GALileo	539	Stud Assemblies	558
Monitor Interface	539	T	
P		Tapeless Selectors & Kits	545
Position Indicator Boards	517-518	Terminal Block Assemblies & Parts	548
R		Timers	545
Reactors	525	Transformers	525-531
Regen Unit	522	Trap Filters	524
Relay Contacts	555-557	Traveling Cables	523
		Traveling Cables & Harnesses	523
		Traveling Cable Grips	523

INDEX-GAL CANADA

A

Accessories 621

B

Bar Assemblies (Type A Bar) 591
 Bar, Pivot Assemblies 592
 Beak Assembly and Parts 619-620
 Bracket, Pivot Assemblies 592

C

Cables 598
 Cam Assemblies 592
 Car Door Hanger Assemblies 603
 Car Door Header Assemblies - 909 Series 603-605
 Chain Sprocket Assemblies 592
 Clutch Assemblies - 892 Series 611-612
 Clutch Isometric Drawing 609-610
 Clutch Parts - 892 Series 613-614
 Clutches 609-614
 Connectors 594,599
 Contact Kit and Parts 621
 Crank/Drive Arm Assemblies 584-588

D

Door Operator Harmonic (Heavy Duty) 571-578
 Door Operator Harmonic (Medium Duty) 568-571
 Door Operator Linear (Heavy Duty) 579-584
 Door Operator Parts - Harmonic 584-597
 Door Operator Parts - Linear (VFE 2500 Series) 597-602
 Door Protection - 906 Series 607-608
 Door Stops 599
 Drive Belts 597
 Drive Board Assemblies (VFE 2500 Series) 588

E

Electronic Assemblies (1000 Series) 589
 Electronic Assemblies (895 Series) 588
 Elite 640 608
 Elite Replacement Cable 608
 Extension Arms 599

F

Fixing Struts 601
 Fuses 594

G

Gate Switch 622
 Gate Switch Assemblies - 894 Series 623
 Gate Switch Isometric Drawing 622
 Gate Switch Parts - 894 Series 623-624

H

Hall Door Track and Hanger Assemblies 606
 Hall Door Track Assemblies - 909 Series 606
 Hardware 613-614
 Heavy Duty Interlock Assemblies - 890 Series 619
 Heavy Duty Interlock Parts - 890 Series 619-621

I

Interlock Isometric Drawing 618

K

Keeper Brackets 600
 Keeper Clutch 609-610
 Keeper Clutch Assembly 612
 Keeper Clutch Assembly (Short Clutch) 612

L

Linkages (Type C) 594

M

Modules and Boards (VFE 2500 Series) 589,598
 Motor Assemblies and Related Parts 592-593, 600

O

Operator Isometric Drawing 559-567

P

PANA-40 607
 PANACHROME 607
 Parameter Unit and Cable 595, 600
 PCB Assemblies 590
 Pick Up Roller Assembly and Parts 620
 Pivot Assemblies 590
 Pulley Assemblies 601

R

Relays 595
 Rollers, Chain Tension Assembly 595
 Rollers, Stop 596
 Rope Clamp 624

INDEX-GAL CANADA

S

Silencer & Bearing Package	595
Silencer Strap Assembly	595
Slave Arms	591
Slave Bracket Assemblies	591
Slave Bracket Parts	591
Swivel Head Rope Wedge Socket 1/2	624
Swivel Head Rope Wedge Socket 5/8	624

T

Track and Hanger Assemblies	603-605
Type I - Drive Arm Pivot Bracket	603

U

Universal Bracket	602
-------------------	-----

W

Wheel Assemblies (Chain, Wheel)	593
---------------------------------	-----

INDEX-HOLLISTER-WHITNEY

B

Basement Set Traction Machines (O.D.)	631-633
Basement Set Traction Machines (STD)	628-630
Brake Panels	649
Brake Shoe Assemblies	649
Brakes & Accessories	647-649
Buffers	657-658

C

Car Slings & Platforms	650
Counterweight Frames	651

D

DC Disc Brakes	647
DC Drum Brakes	648

E

Elevator Equipment Accessories	661
--------------------------------	-----

G

Geared Rope Grippers	642
Guide Shoes	652-655

O

Oil Buffers	657
Overhead Traction Machines	625-627
Overspeed Governors & Tension Wts	643-646

R

Rigid Guide Shoes	652
Roller Guide Shoes	654-655
Rope Gripper Panel	649
Rope Grippers	639-642

S

Safeties	659-660
Sheaves	656
Spring Buffers	658
Standard Rope Grippers	639-641
Swivel Guide Shoes	653

T

Traction Machines-Gearred	625-633
Traction Machines-Gearless	634-638



G.A.L.

Operator 1

Car/Hatch Hangers 141

Door Protection 246

Clutches 252

Car Zone Locks 290

Retiring Cams 294

Door Closers 302

Interlocks 328

Locks, Contacts & Switches 395

Signal Fixtures 420

Controllers 501

 **GAL Canada 559**

 **Hollister-Whitney 625**

Index 662



Phone: 718-292-9000
Fax: 718-292-2034
Web: www.gal.com
Email: info@gal.com
Toll Free: 1-877-425-3538

G.A.L. Manufacturing Corporation



50 East 153rd Street Bronx, NY 10451

Hollister-Whitney



2603 N 24th Street Quincy, IL 62305



Phone: 217-222-0466
Fax: 217-222-0493
Web: www.hollisterwhitney.com
Email: info@hollisterwhitney.com

GAL Canada Elevator Products



6500 Gottardo Court Mississauga, NO L5T 2A2